



US00D944445S

(12) **United States Design Patent** (10) **Patent No.:** **US D944,445 S**  
**Saboo** (45) **Date of Patent:** **\*\* Feb. 22, 2022**

(54) **WALL LIGHT**

(71) Applicant: **West Coast Imports, Inc.**, Commerce, CA (US)

(72) Inventor: **Vinay Saboo**, Commerce, CA (US)

(73) Assignee: **WEST COAST IMPORTS, INC.**, Commerce, CA (US)

(\*\*) Term: **15 Years**

(21) Appl. No.: **29/698,362**

(22) Filed: **Jul. 16, 2019**

(51) **LOC (13) Cl.** ..... **26-99**

(52) **U.S. Cl.**  
USPC ..... **D26/120; D26/72**

(58) **Field of Classification Search**  
USPC ..... D26/72, 80, 85-87, 89, 118, 120, 139;  
D10/106.6, 106.8  
CPC .. F21S 8/033; F21S 8/035; F21S 8/036; F21S  
8/046; G08B 13/193

See application file for complete search history.

(56) **References Cited**

**U.S. PATENT DOCUMENTS**

D285,489 S *	9/1986	Russell	.....	D26/86
D591,440 S *	4/2009	Maxik	.....	D26/72
D844,213 S *	3/2019	Liu	.....	D26/85
D849,988 S *	5/2019	Li	.....	D26/85
D854,729 S *	7/2019	Yang	.....	D26/85
D866,842 S *	11/2019	Wang	.....	D26/85
D882,147 S *	4/2020	He	.....	D26/85
D884,250 S *	5/2020	Rao	.....	D26/85
D893,079 S *	8/2020	Zhang	.....	D26/85

**OTHER PUBLICATIONS**

Intelligent 100Lm Dual LED Solar Powered Outdoor Security Wall Pack with Motion Sensor by Westinghouse Lighting. Available at wayfair.com as early as Jan. 1, 2020. (Year: 2020).\*

160 LEDs Solar Powered Wall Light with Dual PIR Motion Sensor by Finether, available at aliexpress.com as early as Sep. 25, 2020. (Year: 2020).\*

AOOTEK Solar Outdoor Light ASIN: B07NQ4L1SB available at amazon.com Feb. 13, 2019. (Year: 2019).\*

\* cited by examiner

*Primary Examiner* — Clare E Heflin

(74) *Attorney, Agent, or Firm* — Tarter Krinsky & Drogin LLP

(57) **CLAIM**

The ornamental design for a wall light, as shown and described.

**DESCRIPTION**

FIG. 1 is a perspective view of a wall light;

FIG. 2 is a front view thereof;

FIG. 3 is a rear view thereof;

FIG. 4 is a first side view thereof;

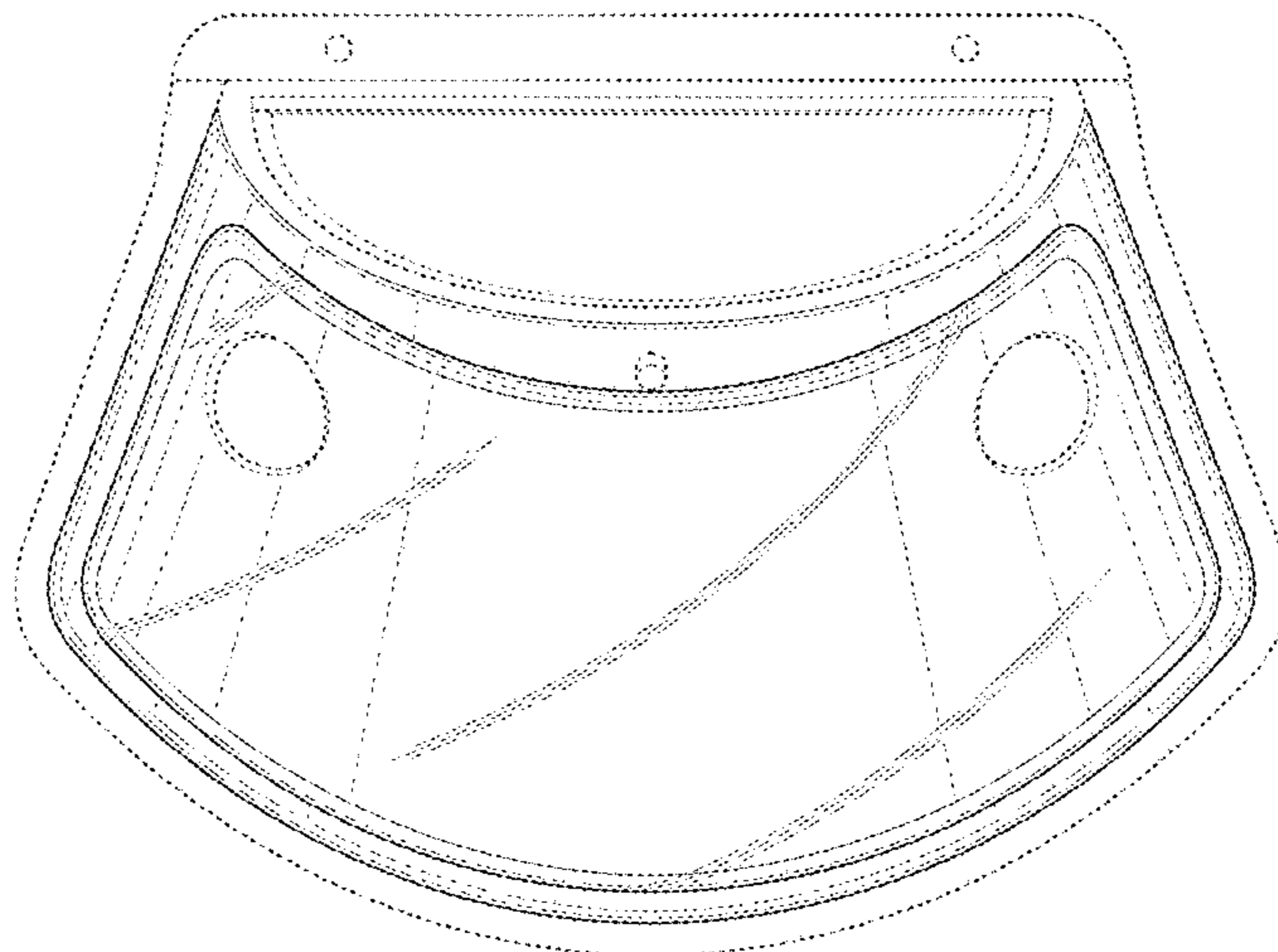
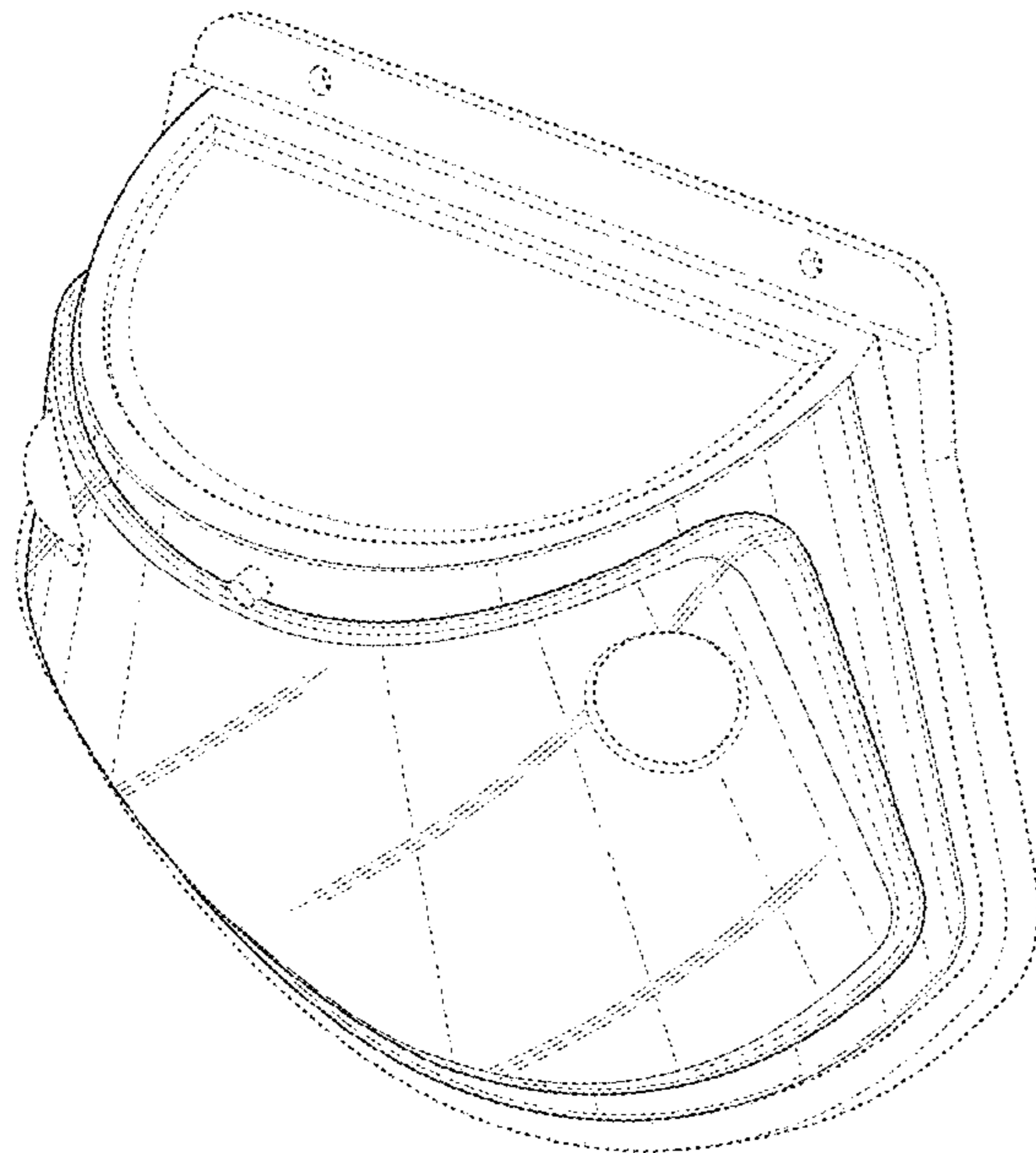
FIG. 5 is a second side view thereof;

FIG. 6 is a bottom view thereof; and,

FIG. 7 is a top view thereof.

The broken lines shown in the figures represent portions of the wall light that form no part of the claimed design.

**1 Claim, 5 Drawing Sheets**



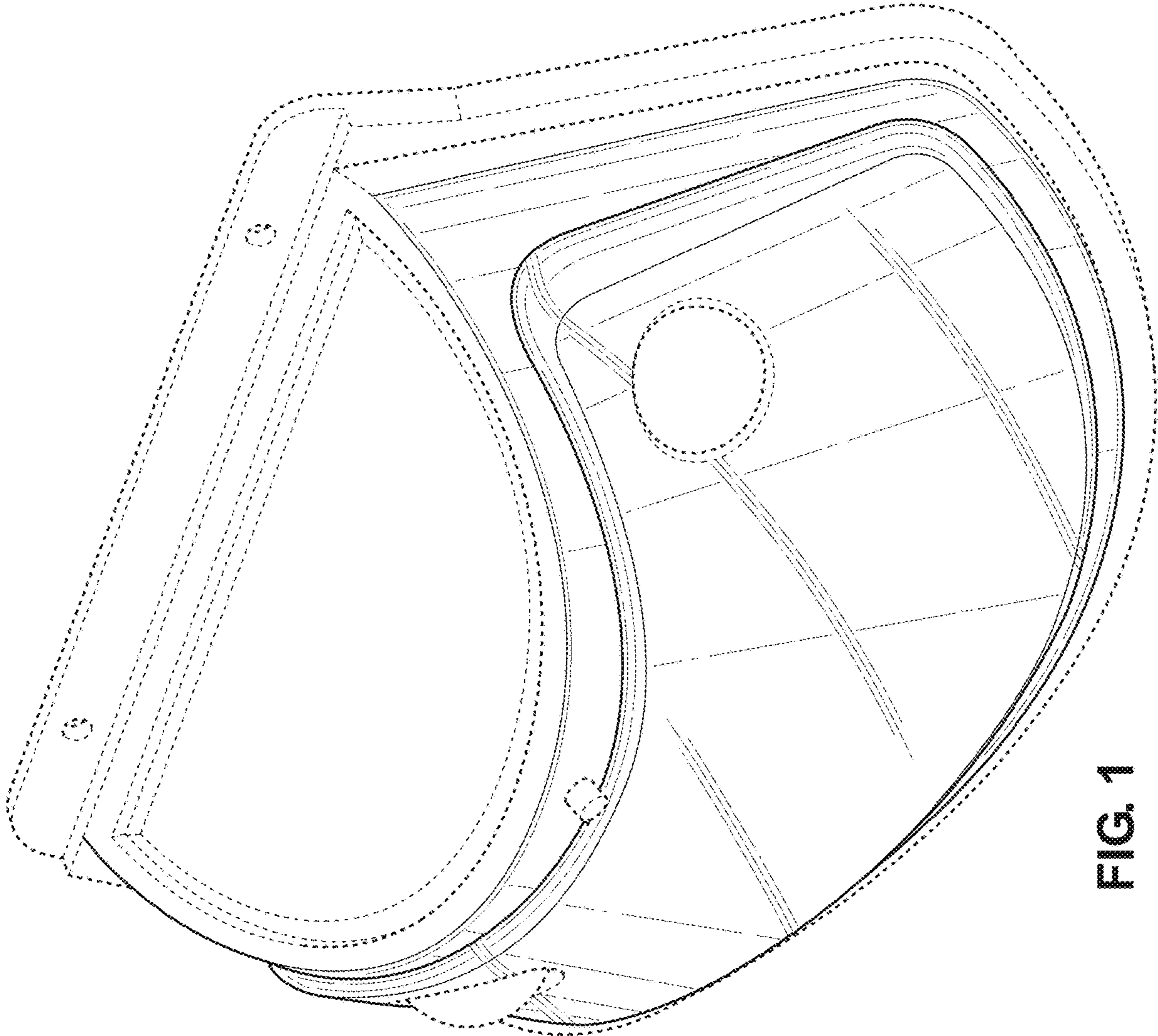


FIG. 1

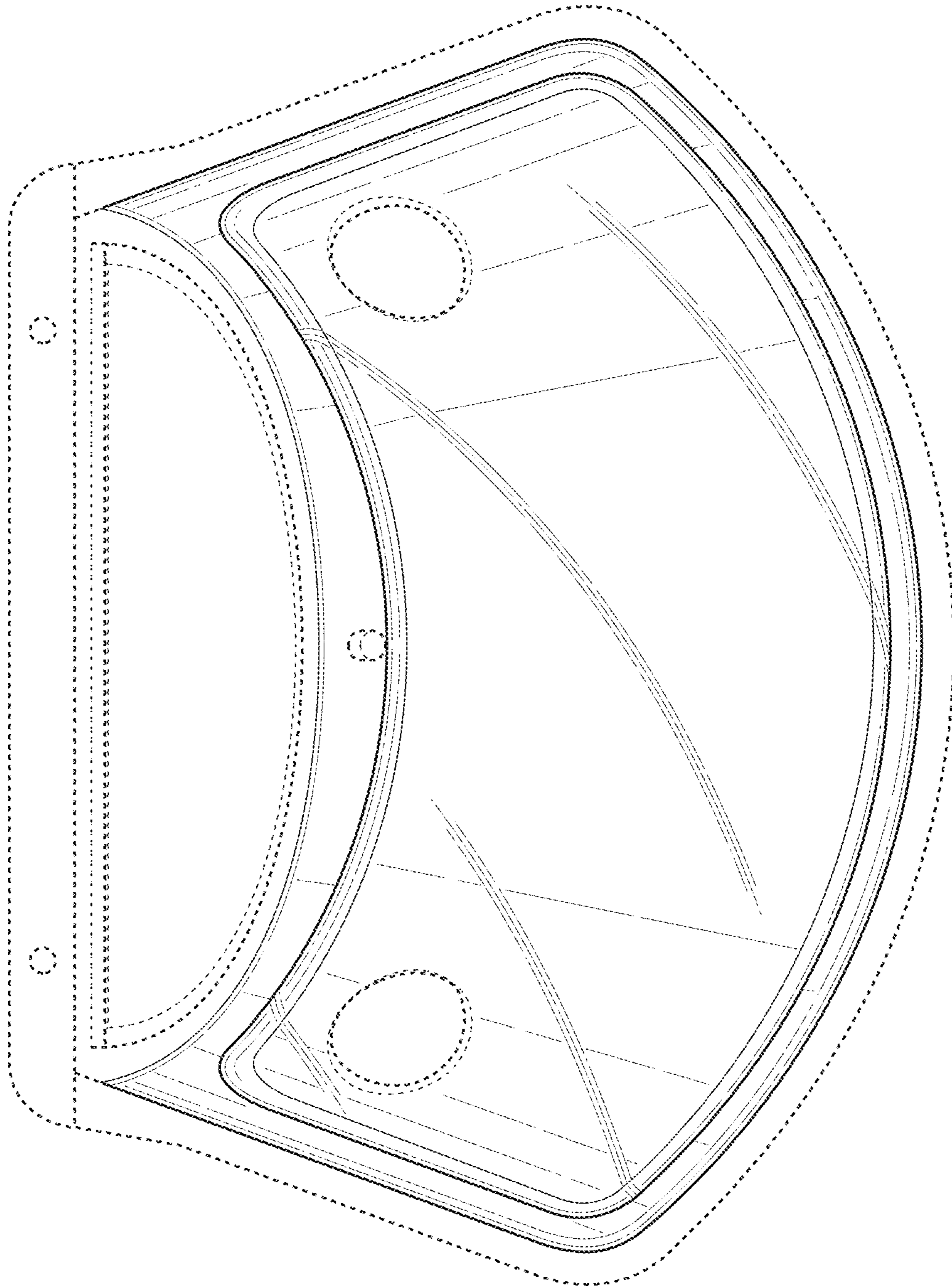


FIG. 2

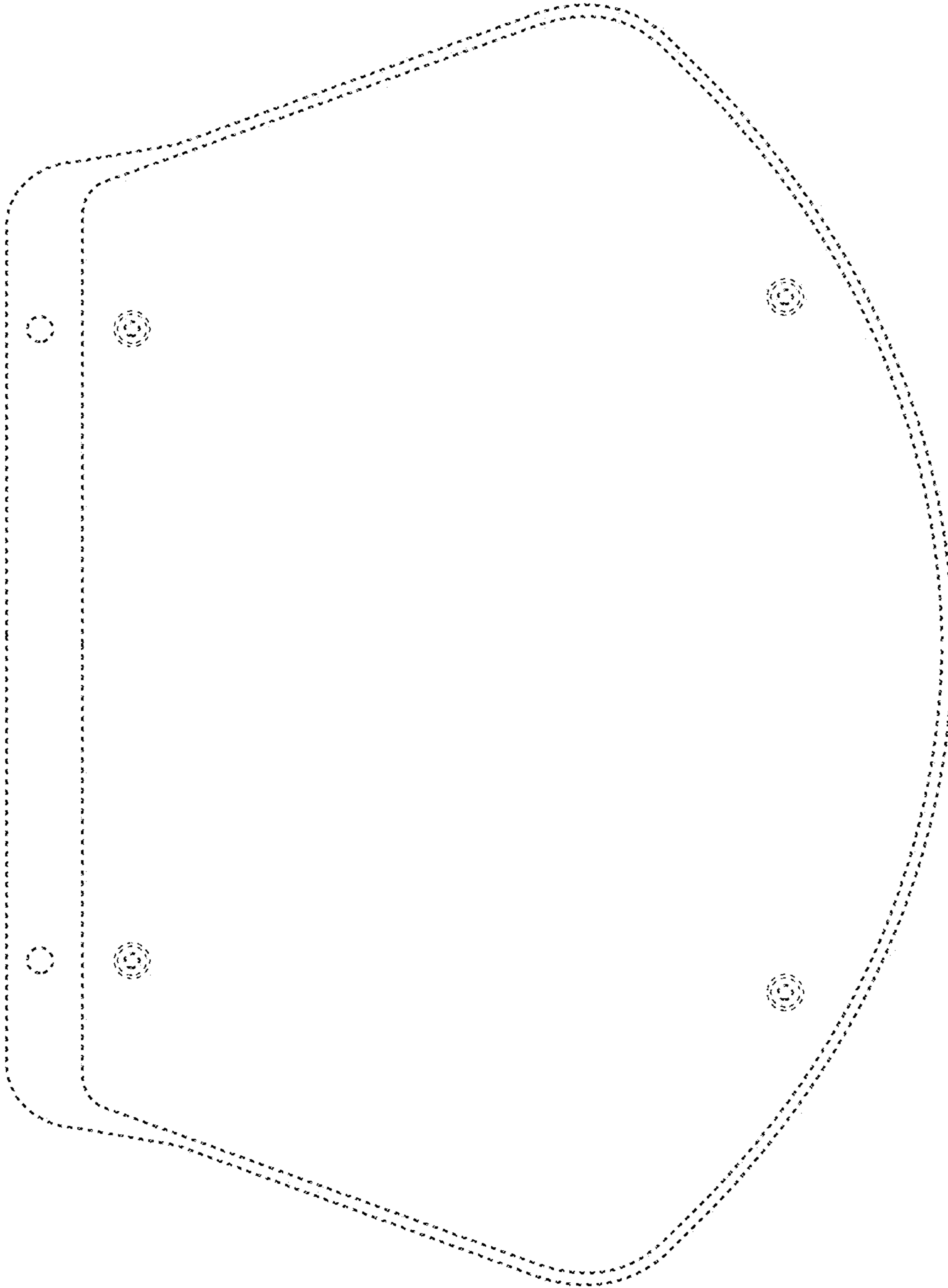


FIG. 3

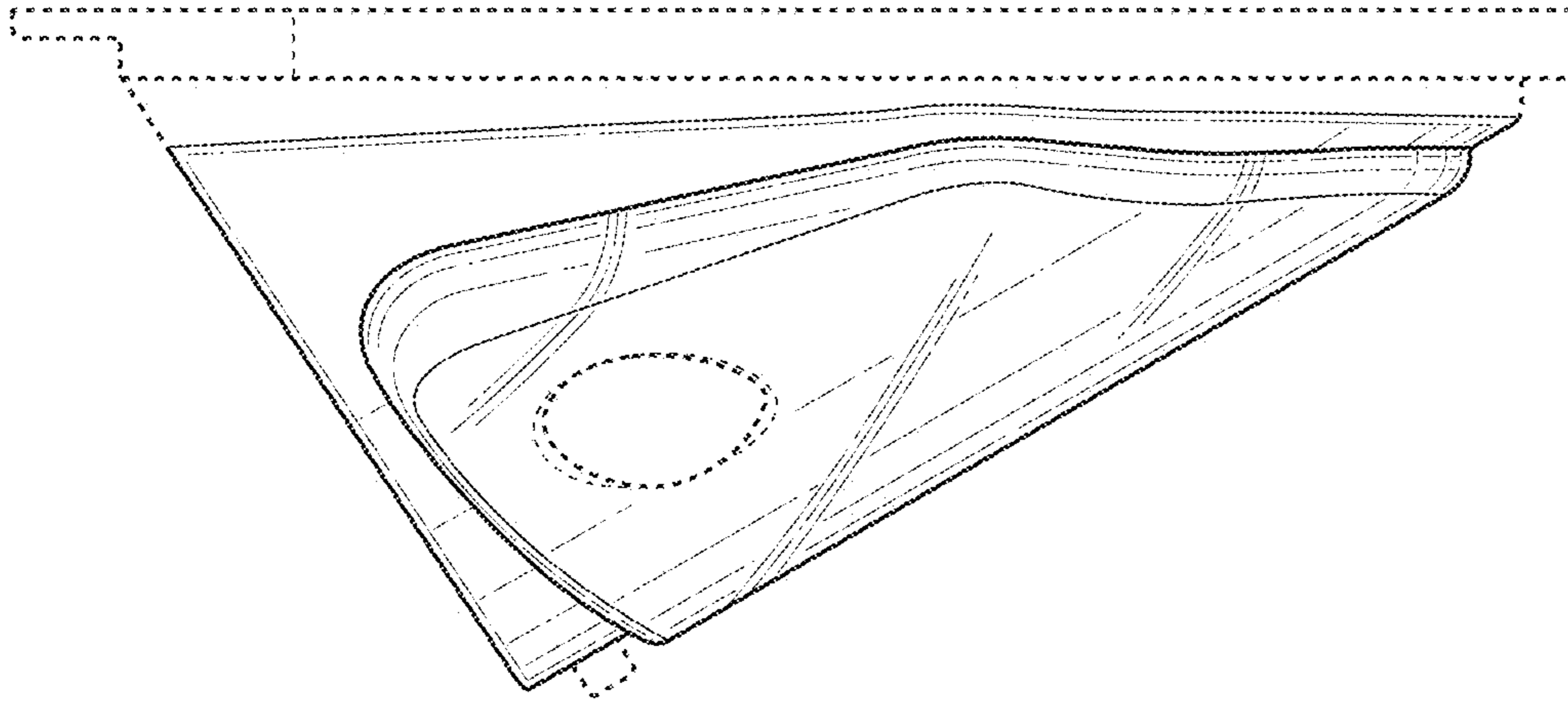


FIG. 5

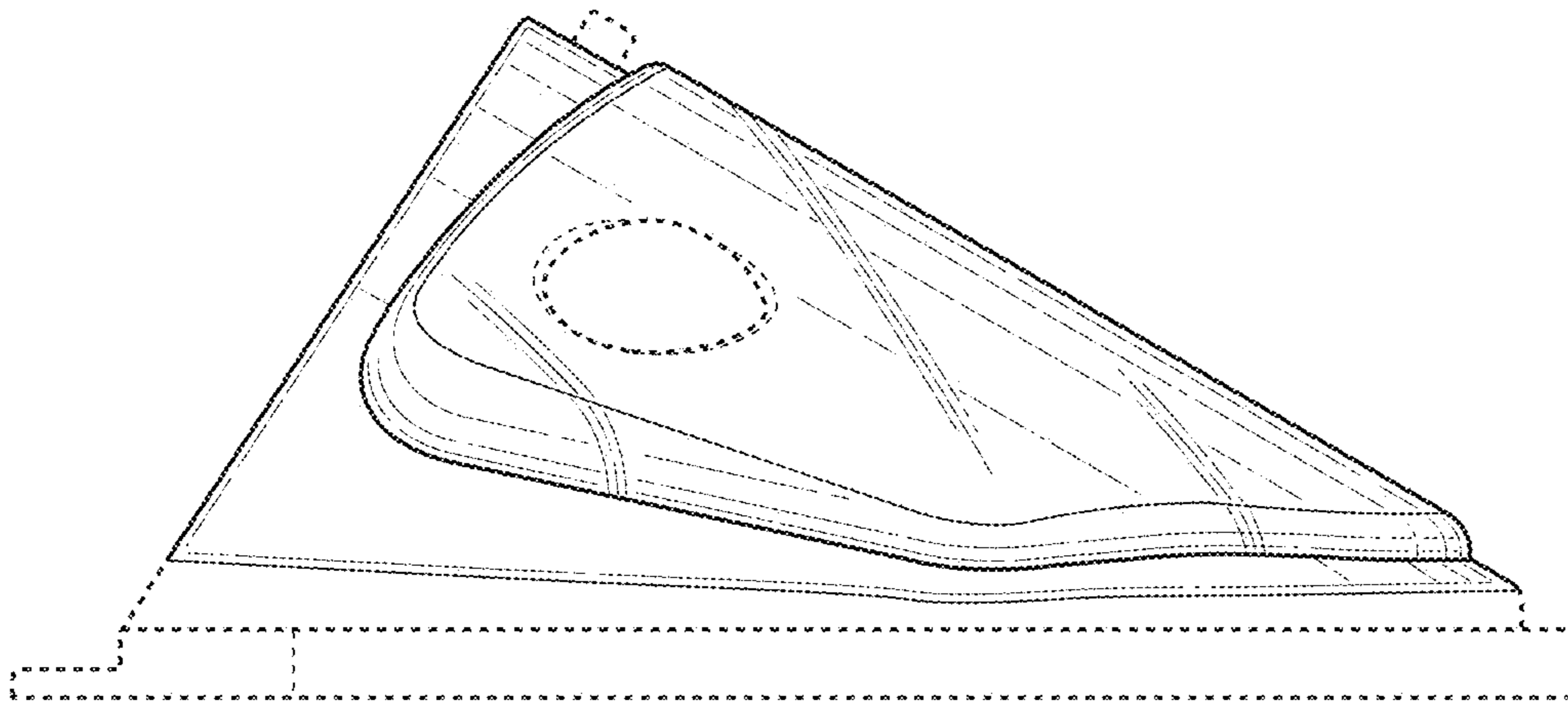


FIG. 4

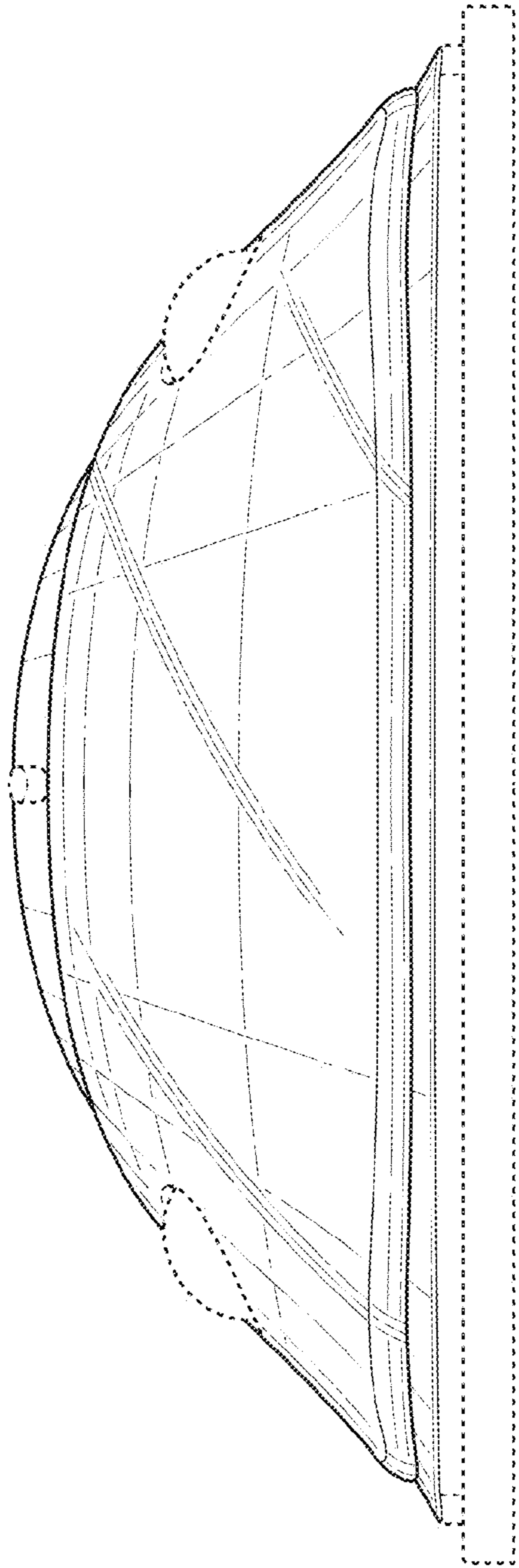


FIG. 6

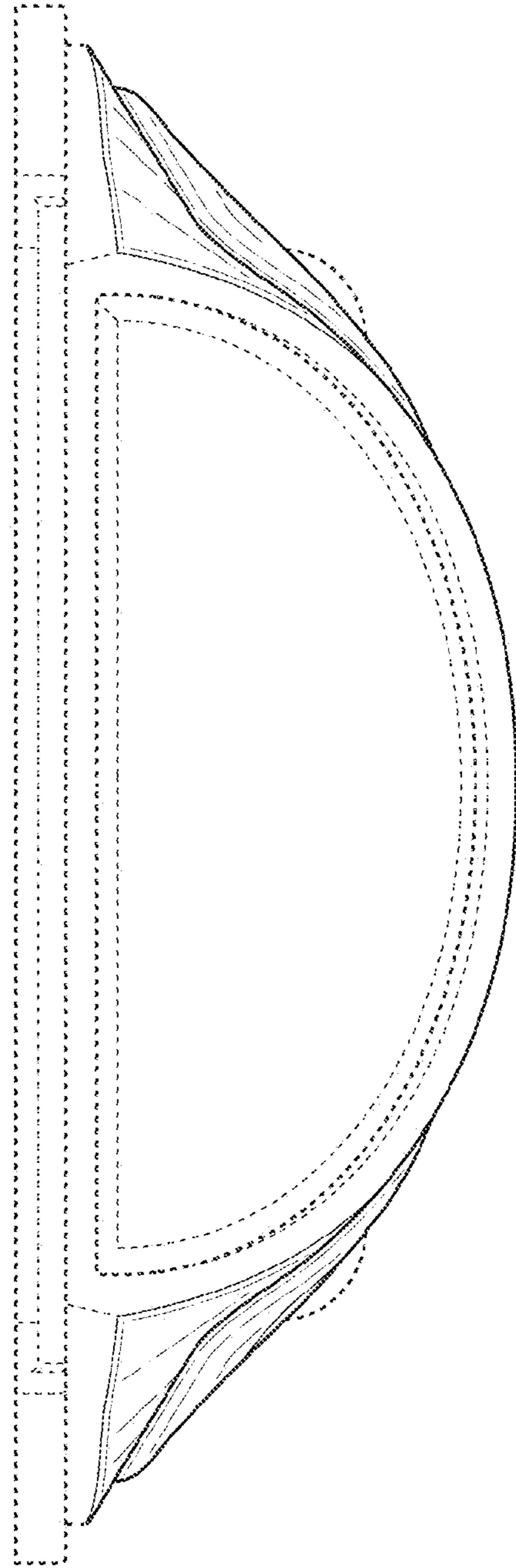


FIG. 7