



US00D944444S

(12) **United States Design Patent** (10) **Patent No.:** **US D944,444 S**
Liu (45) **Date of Patent:** **** Feb. 22, 2022**

(54) **REFLECTOR**

(71) Applicant: **Xtreme Inc.**, Chino, CA (US)

(72) Inventor: **Luffy Zongxian Liu**, Chino, CA (US)

(**) Term: **15 Years**

(21) Appl. No.: **29/765,606**

(22) Filed: **Jan. 10, 2021**

(51) **LOC (13) Cl.** **26-05**

(52) **U.S. Cl.**
USPC **D26/118**

(58) **Field of Classification Search**
USPC D12/114; D26/1, 2, 3, 24, 118
CPC F21L 2/00; F21S 2/00; G02B 5/12; G02B
5/122; F21V 7/00
See application file for complete search history.

(56) **References Cited**

U.S. PATENT DOCUMENTS

- D320,185 S * 9/1991 Muller D12/410
- D399,862 S * 10/1998 Baliozian D16/219
- D447,272 S 8/2001 Smith
- D469,213 S 1/2003 Huang
- D469,564 S * 1/2003 Brok D26/118
- D541,193 S 4/2007 Hart et al.
- D622,897 S 8/2010 Unsworth
- D630,561 S 1/2011 Noel
- D637,341 S 5/2011 Wardenburg
- D650,515 S 12/2011 Bradley, Jr. et al.
- D670,416 S 11/2012 Renshaw
- D675,369 S 1/2013 Michaud
- D687,592 S * 8/2013 Park D26/118
- D689,238 S * 9/2013 Halsey D26/118
- D704,358 S * 5/2014 Joo D26/1
- D730,254 S 5/2015 Glover et al.
- D740,998 S 10/2015 Nevins
- D756,023 S 5/2016 Hoffer
- D756,253 S 5/2016 Hsu
- D757,620 S 5/2016 Ahn et al.

- D775,401 S * 12/2016 Sibitzky D26/118
 - D830,618 S * 10/2018 Zhao D26/118
 - D879,366 S 3/2020 Reynolds
 - D883,112 S * 5/2020 Cai D10/70
 - D883,559 S 5/2020 Wardenburg
- (Continued)

FOREIGN PATENT DOCUMENTS

CN 202130114611.X * 3/2021

OTHER PUBLICATIONS

Amazon, "Sunlite Front & Rear Reflector Kit", first available Sep. 16, 2012. (<https://www.amazon.com/Sunlite-Front-Rear-Reflector-Kit/dp/B009BFEQ5A/>) (Year: 2012).*

(Continued)

Primary Examiner — Lauren D McVey
Assistant Examiner — Justin A Johnson
(74) *Attorney, Agent, or Firm* — Xiaofang Zhong; Law Office of Xiaofang Zhong, PLLC

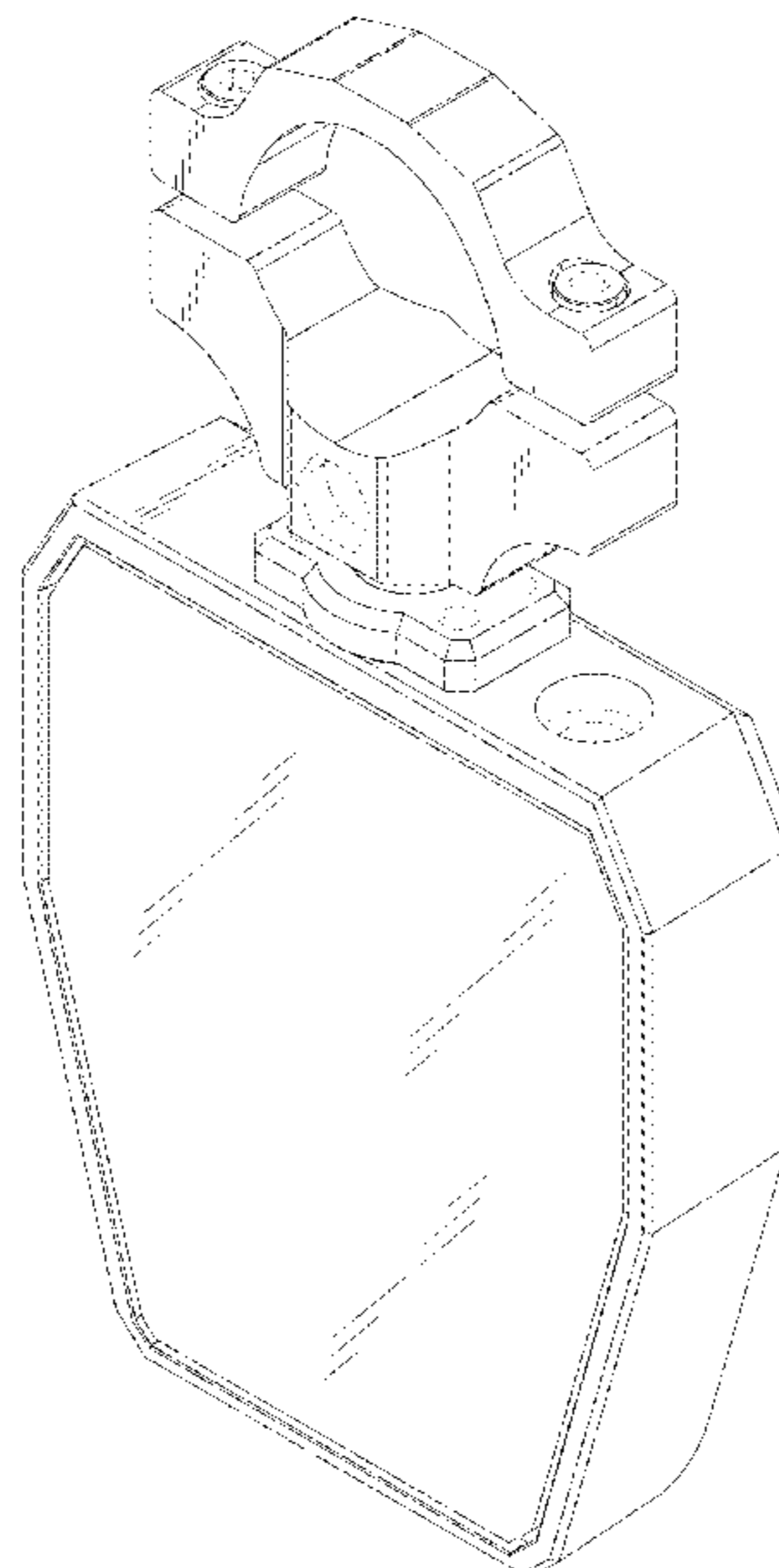
(57) **CLAIM**

The ornamental design for a reflector, as shown and described.

DESCRIPTION

FIG. 1 is a perspective view of a reflector showing my new design;
FIG. 2 is a front elevational view thereof;
FIG. 3 is a rear elevational view thereof;
FIG. 4 is a right-side elevational view thereof;
FIG. 5 is a left-side elevational view thereof;
FIG. 6 is a top plan view thereof; and,
FIG. 7 is a bottom plan view thereof.
The broken lines immediately adjacent to the shaded areas depict the bounds of the claim, while all other broken lines are directed to environment. The broken lines form no part of the claimed design.

1 Claim, 6 Drawing Sheets



(56)

References Cited

U.S. PATENT DOCUMENTS

D885,645 S * 5/2020 Dennis D26/118
D900,379 S * 10/2020 McLaughlin D26/118
D905,314 S * 12/2020 Pan D26/71
D911,561 S * 2/2021 Heggland D26/28

OTHER PUBLICATIONS

Amazon, "CATEYE—Reflex Auto Bike Tail Light", first available Sep. 2, 2014. (<https://www.amazon.com/Cat-TL-LD570R-Auto-Reflex-Light/dp/B004QXH9QK/>) (Year: 2014).*

Amazon, "BrightRoad First Smart Bike Light Set", first available Jun. 21, 2021. (<https://www.amazon.com/dp/B07QKKNT3N/?th=1>) (Year: 2021).*

Amazon, "BAISALJI Bike Bicycle Lamps", first available Aug. 25, 2021. (<https://www.amazon.com/dp/B092HFRBC7/?th=1>) (Year: 2021).*

* cited by examiner

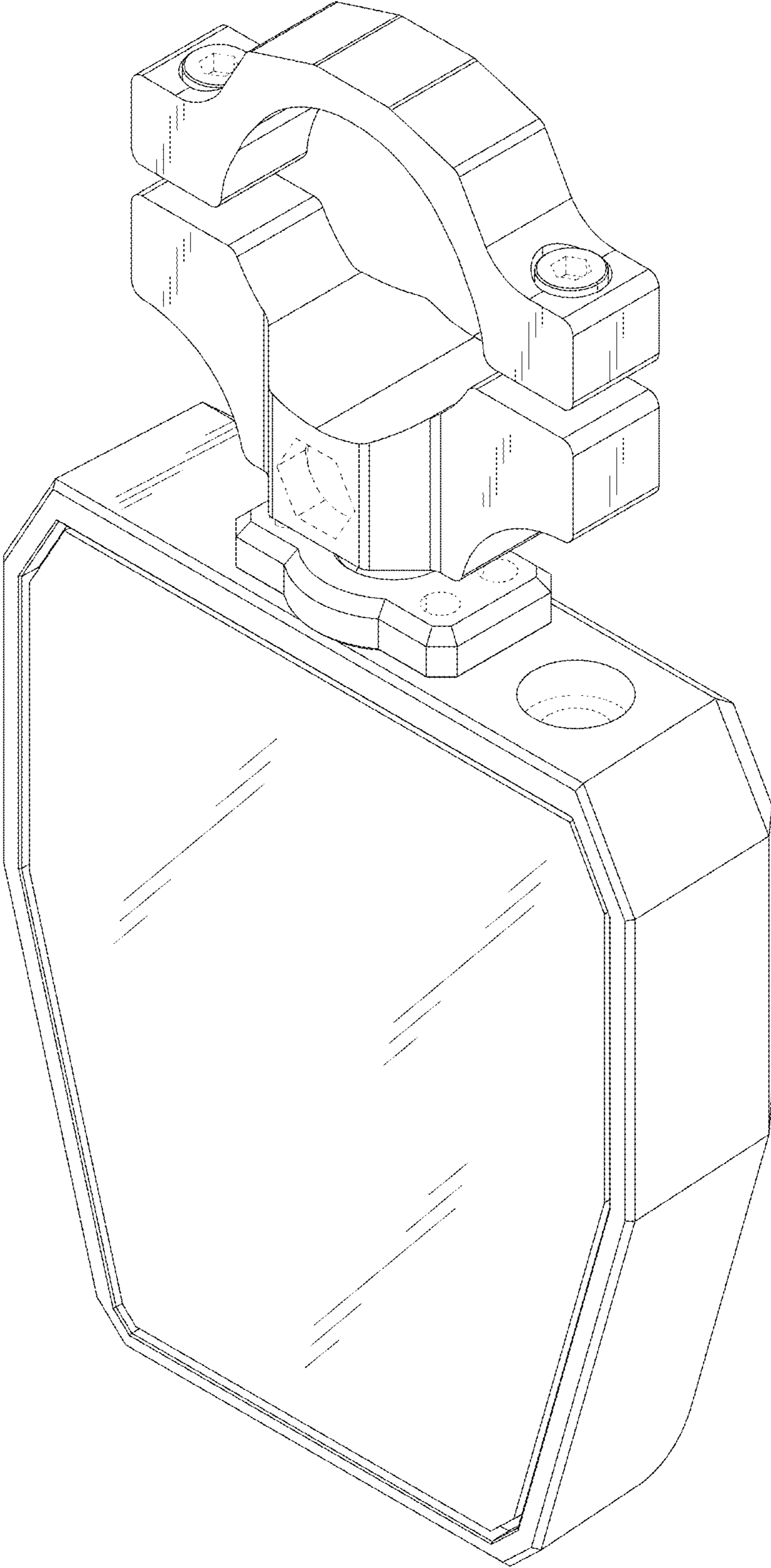


FIG. 1

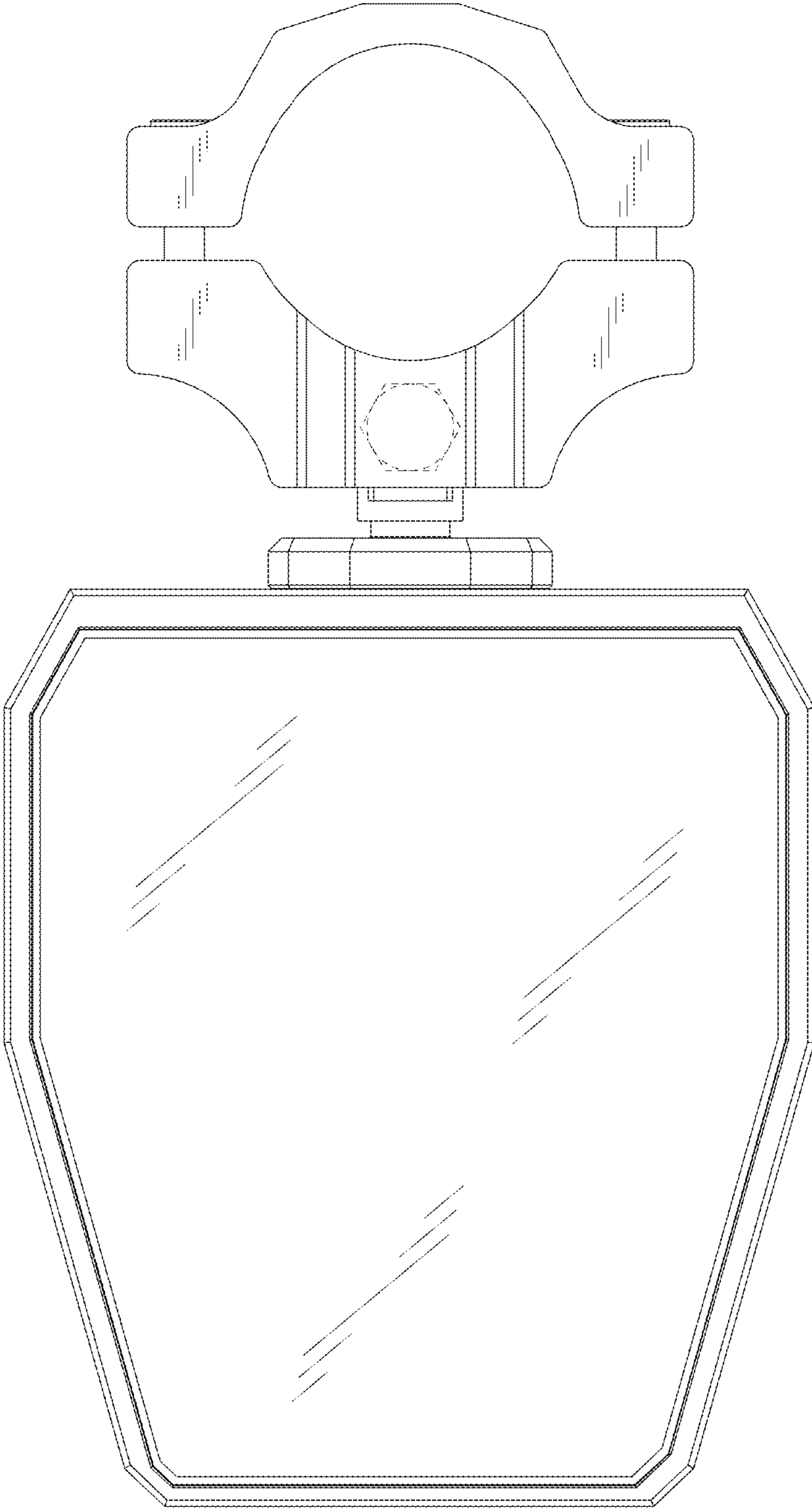


FIG. 2

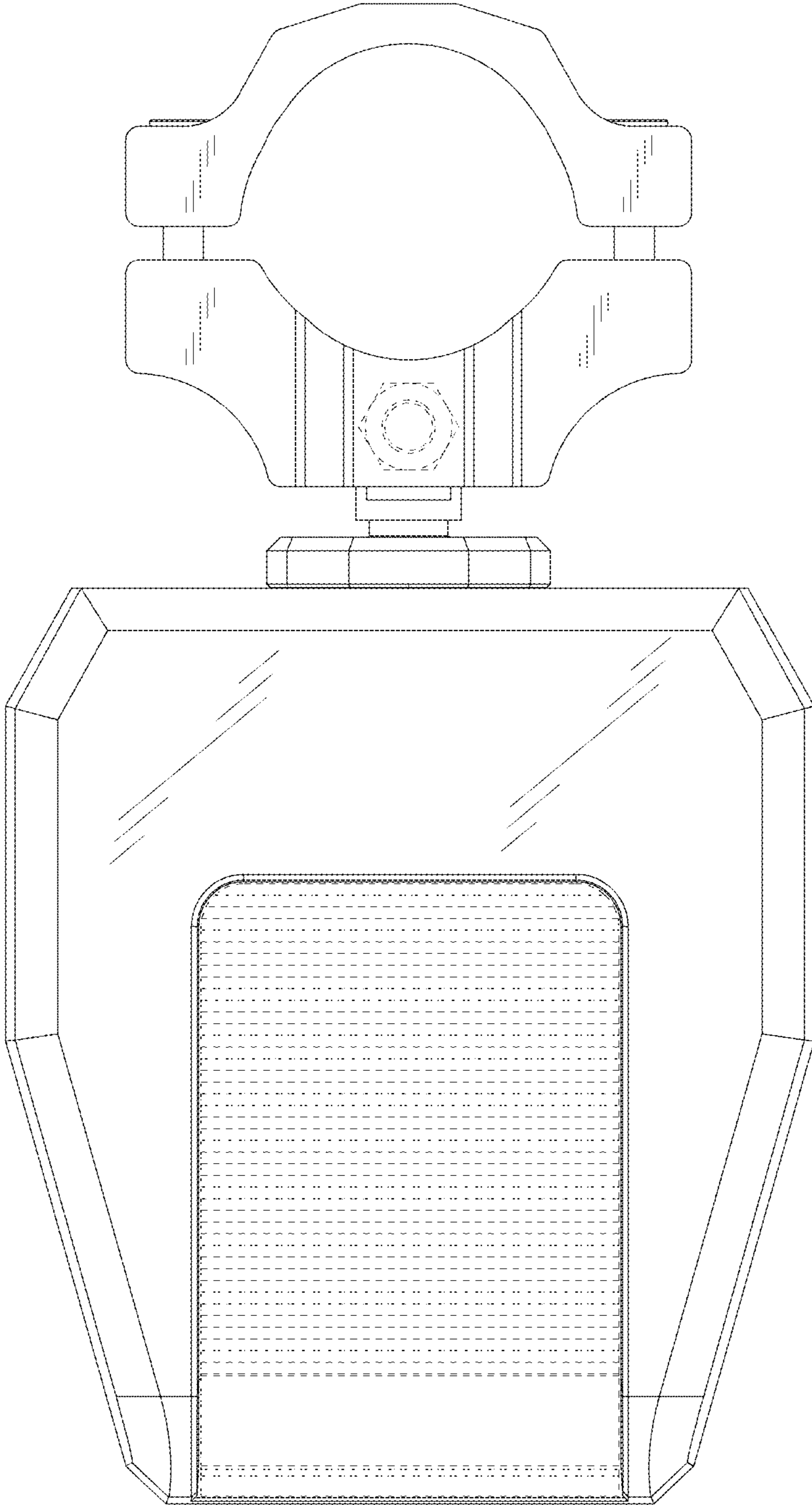


FIG. 3

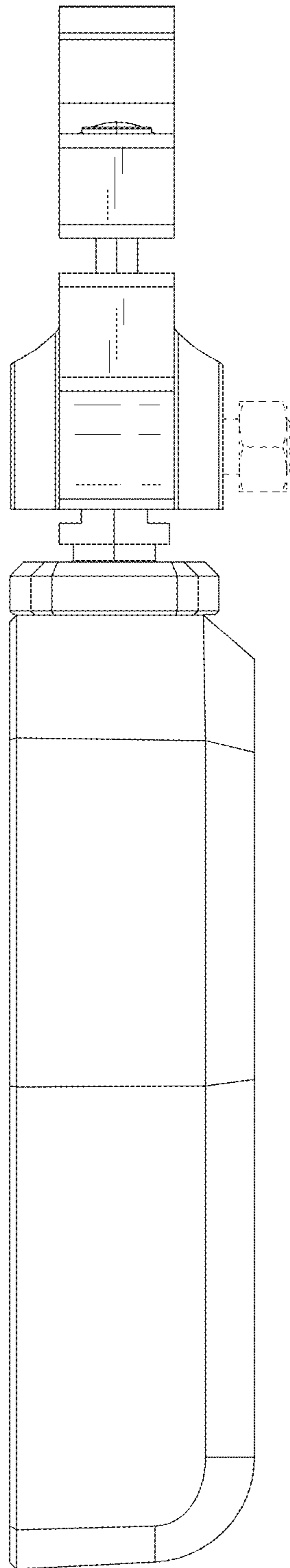


FIG. 4

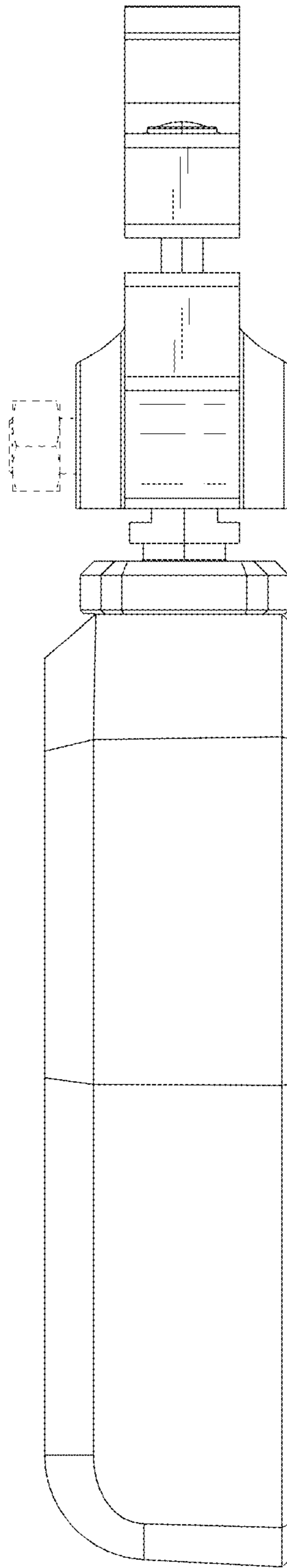


FIG. 5

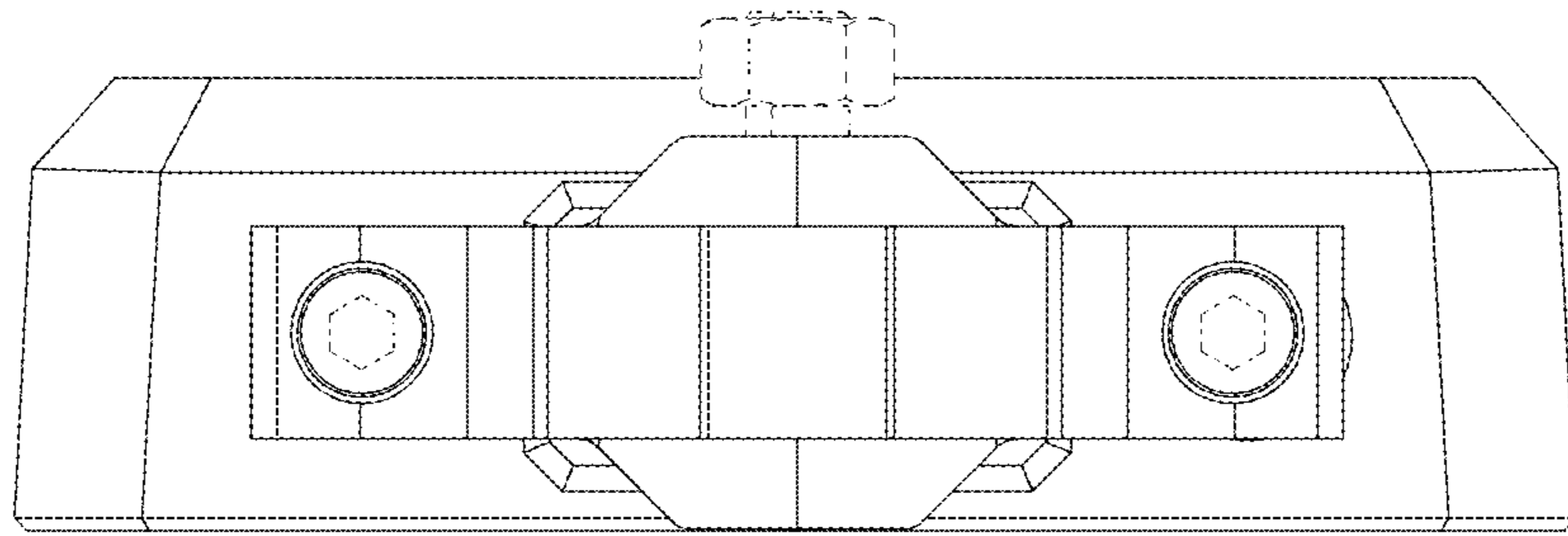


FIG. 6

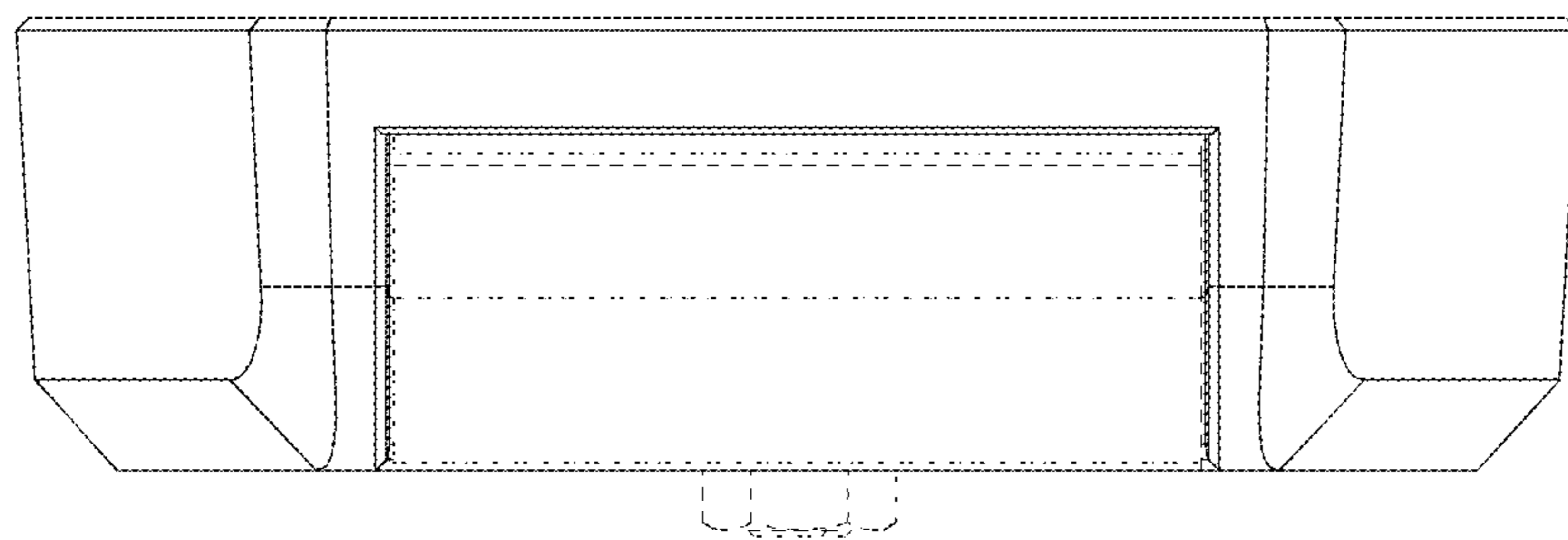


FIG. 7