



US00D944443S

(12) **United States Design Patent**
Fairclough et al.

(10) **Patent No.:** **US D944,443 S**

(45) **Date of Patent:** **** Feb. 22, 2022**

(54) **LAMP**

(71) Applicant: **Outside In (Cambridge) Limited,**
Cambridge (GB)

(72) Inventors: **Ben Fairclough,** Cambridge (GB);
Richard Andrews, Nottingham (GB)

(**) Term: **15 Years**

(21) Appl. No.: **35/510,376**

(22) Filed: **Sep. 3, 2020**

(80) **Hague Agreement Data**

Int. Filing Date: **Sep. 3, 2020**

Int. Reg. No.: **DM/210241**

Int. Reg. Date: **Sep. 3, 2020**

Int. Reg. Pub. Date: **Sep. 18, 2020**

(51) **LOC (13) Cl.** **26-05**

(52) **U.S. Cl.**
USPC **D26/93**

(58) **Field of Classification Search**

USPC D26/93, 111, 113, 118, 119, 120, 121,
D26/122, 128, 138, 139, 140, 141, 142

CPC F21S 2/00; F21S 4/00; F21S 4/003; F21S
4/005; F21S 4/006; F21S 4/007; F21S
4/008; F21S 6/00; F21S 8/00; F21S
8/024; F21S 8/026; F21S 8/031; F21S
8/033; F21S 8/035-037; F21S 8/04; F21S
8/043; F21S 8/063

See application file for complete search history.

(56) **References Cited**

U.S. PATENT DOCUMENTS

D526,340 S * 8/2006 Hodgson D16/135
D544,618 S * 6/2007 Coughaine D26/37

D607,600 S * 1/2010 Keith D26/85
D647,227 S * 10/2011 Kaule D26/24
D684,269 S * 6/2013 Wang D24/209
D745,210 S * 12/2015 Serwacki D26/138
D770,076 S * 10/2016 Li D26/89
D830,611 S * 10/2018 Boissevain D26/89
D840,575 S * 2/2019 Dyck D26/72
D872,348 S * 1/2020 Liu D26/106
D879,358 S * 3/2020 Du D26/106
D903,185 S * 11/2020 Li D26/106
D905,318 S * 12/2020 Cui D26/106
D905,895 S * 12/2020 Johnson D26/89
D911,597 S * 2/2021 Harmon D26/118
D924,465 S * 7/2021 Zhang D26/93
D932,681 S * 10/2021 Chen D26/104
D936,272 S * 11/2021 Johnson D26/89

* cited by examiner

Primary Examiner — Natasha Vujcic

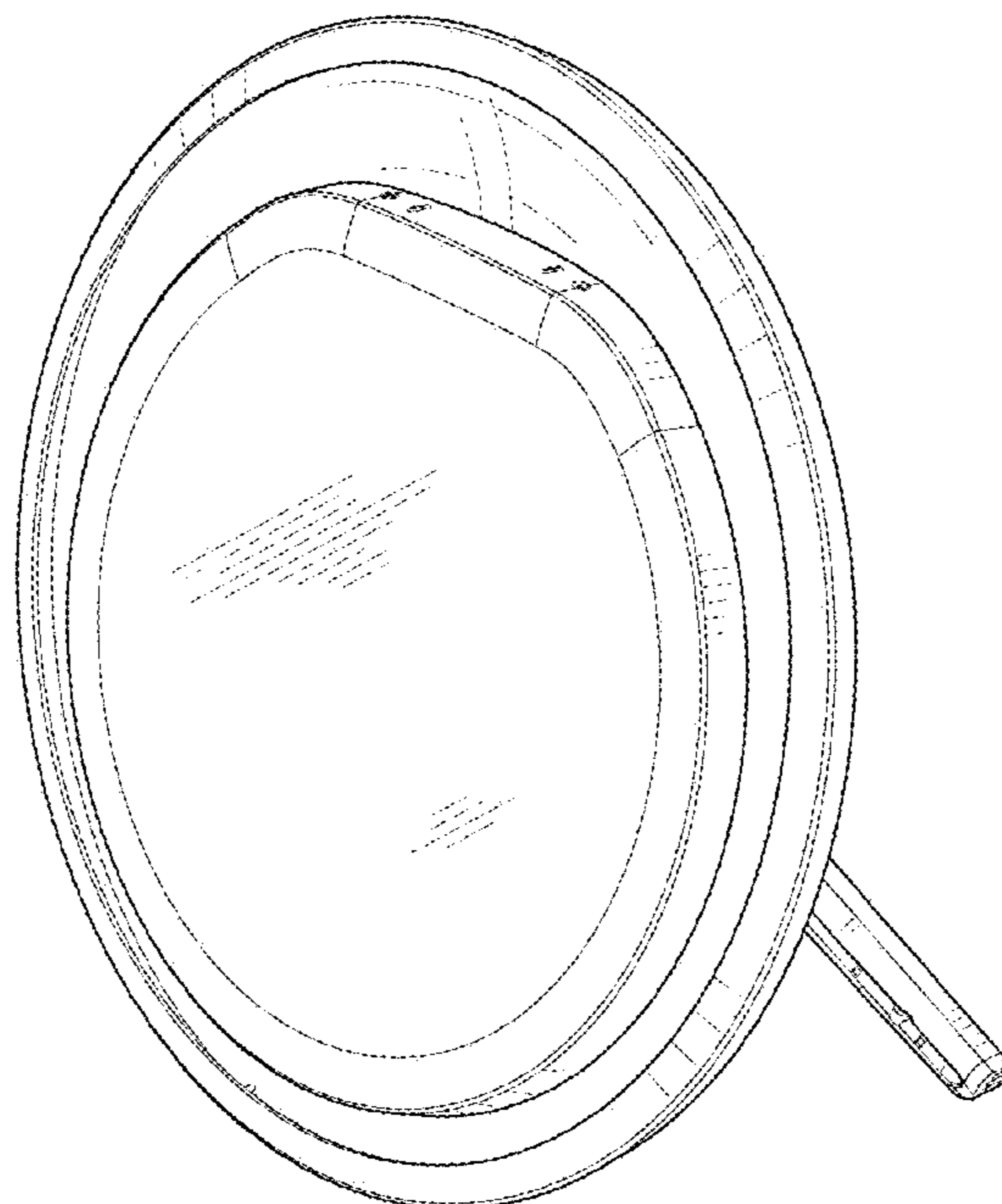
(57) **CLAIM**

The ornamental design for a lamp, as shown and described.

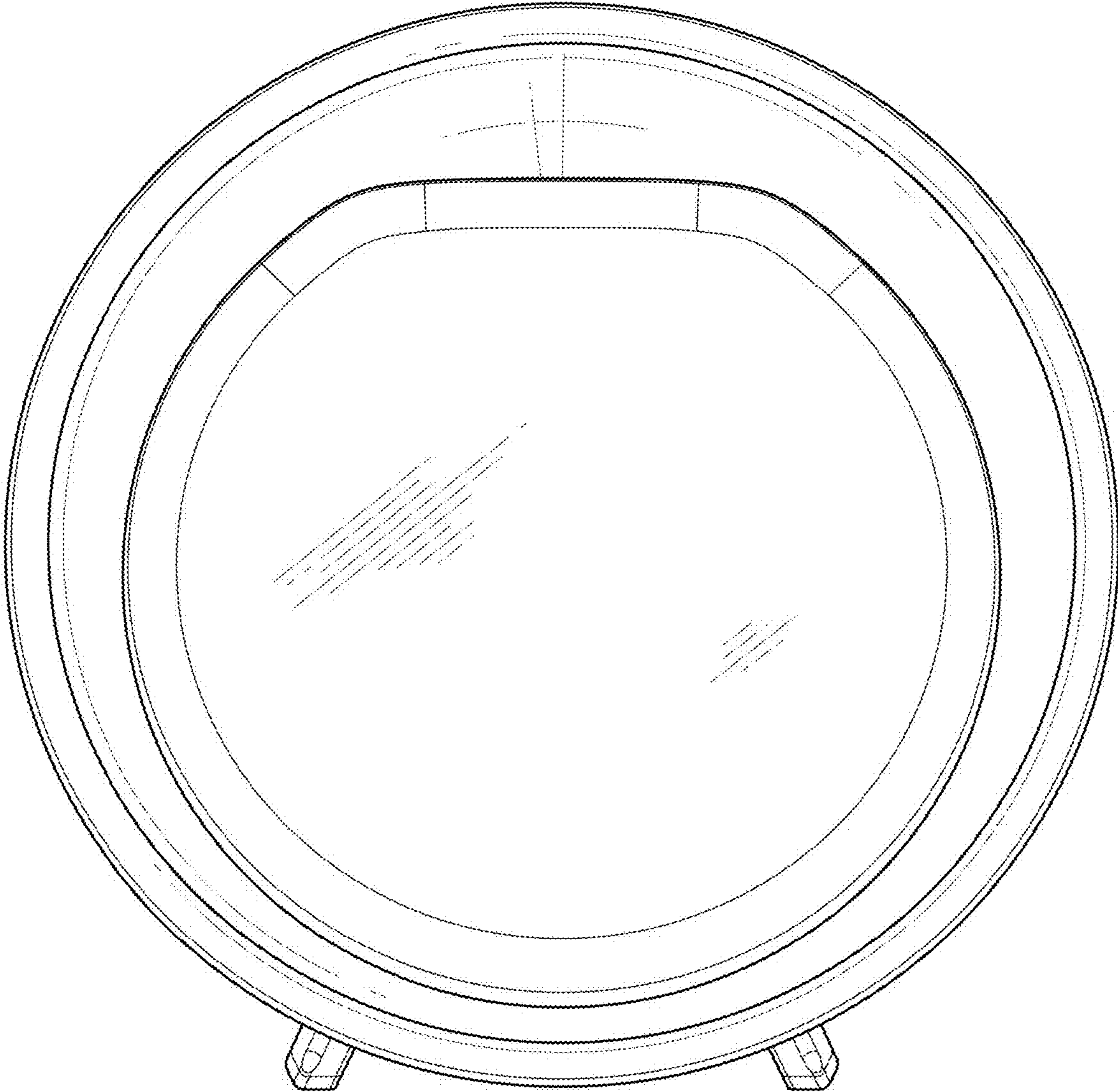
DESCRIPTION

- 1. Lamp
- 1.1 : Front
- 1.2 : Perspective
- 1.3 : Right
- 1.4 : Left
- 1.5 : Back
- 1.6 : Bottom
- 1.7 : Top
- 1.8 : Perspective

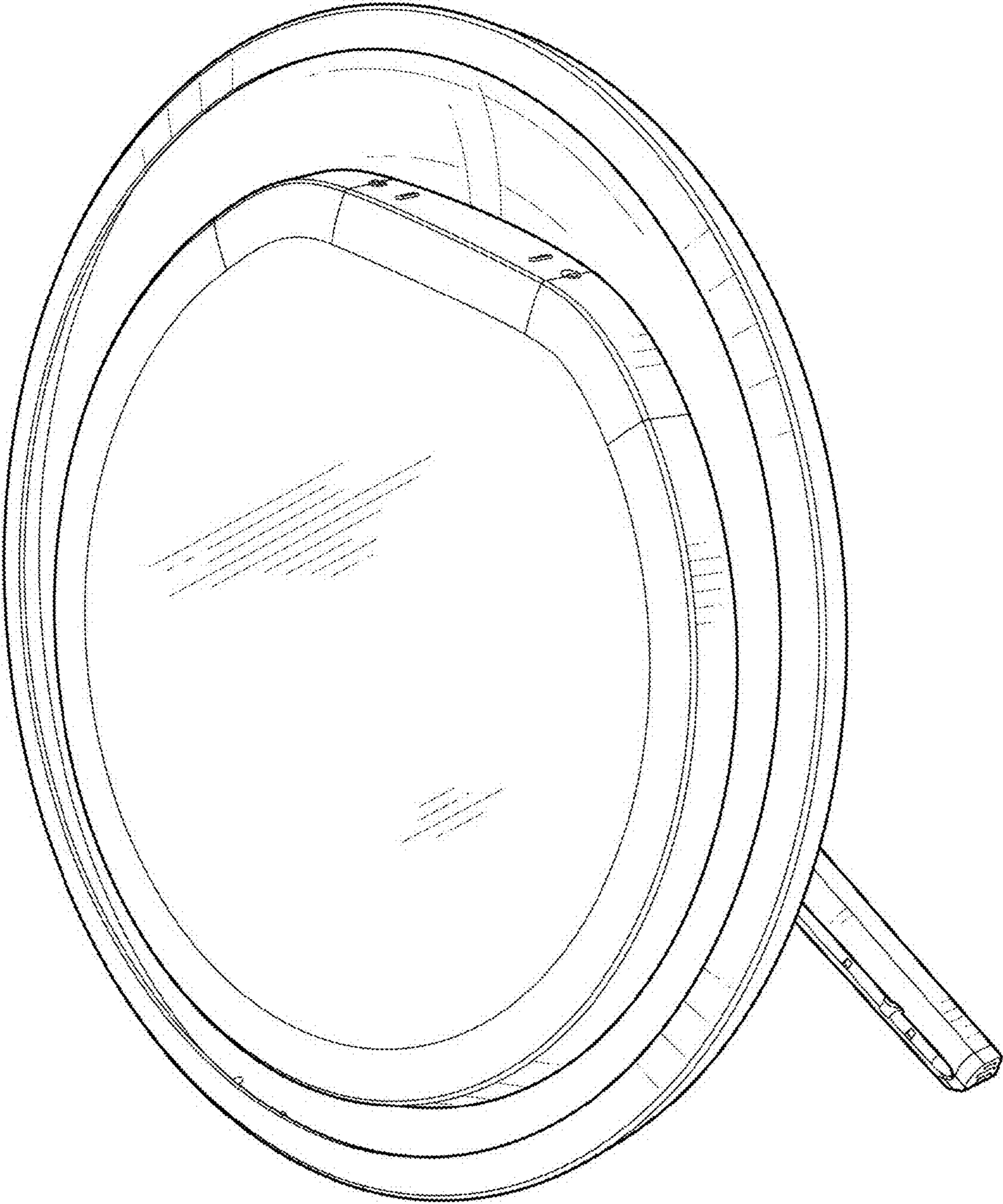
1 Claim, 8 Drawing Sheets



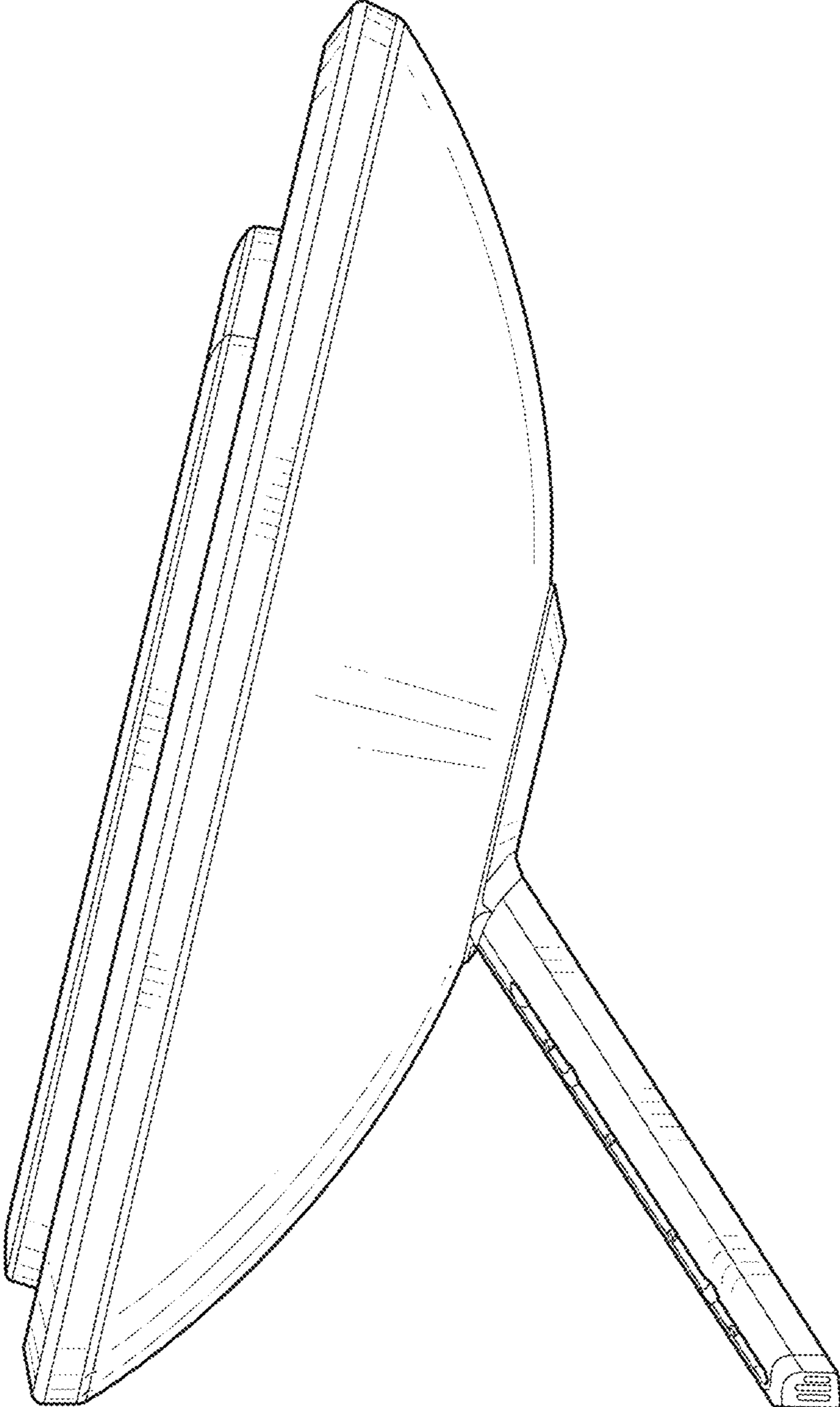
1.1



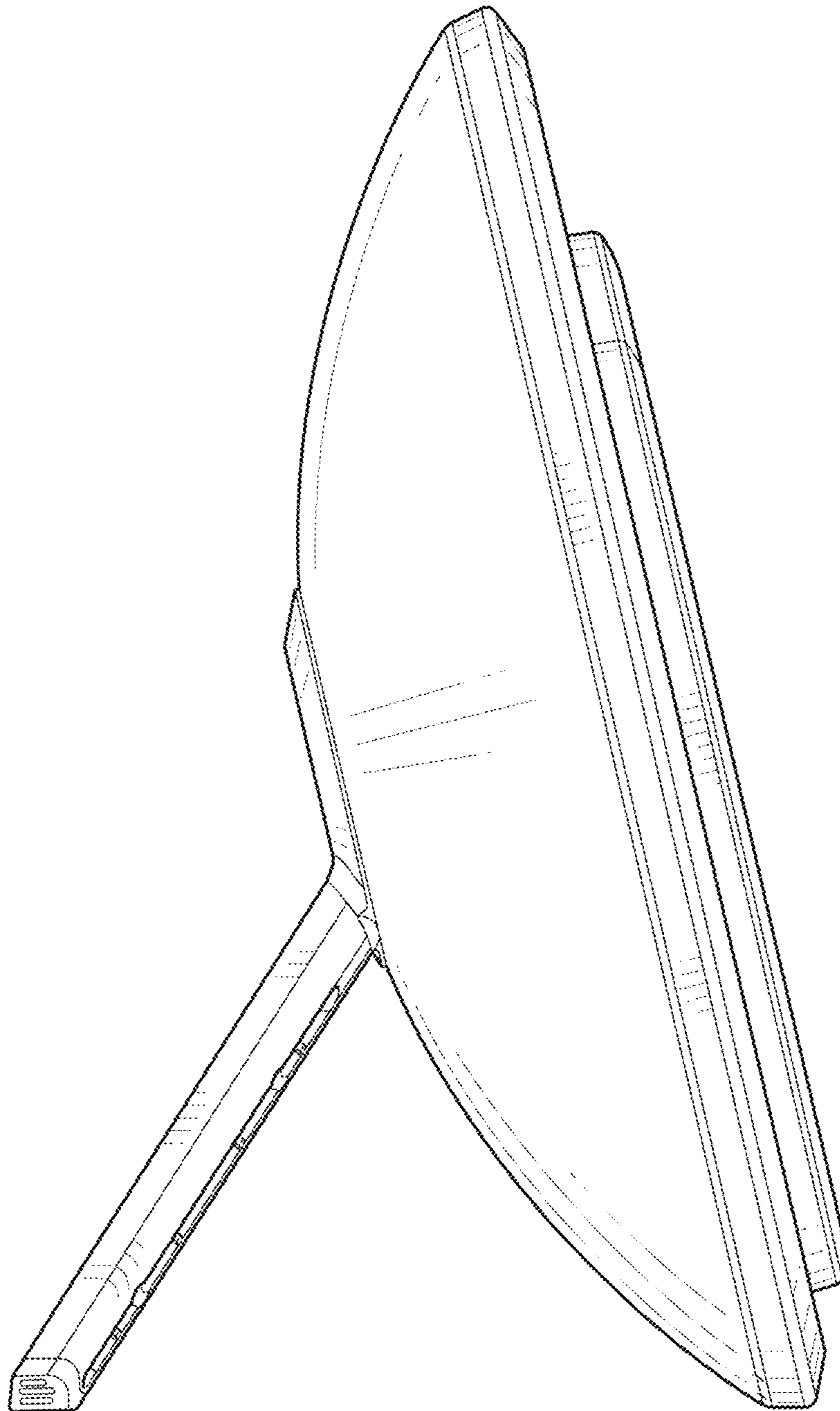
1.2



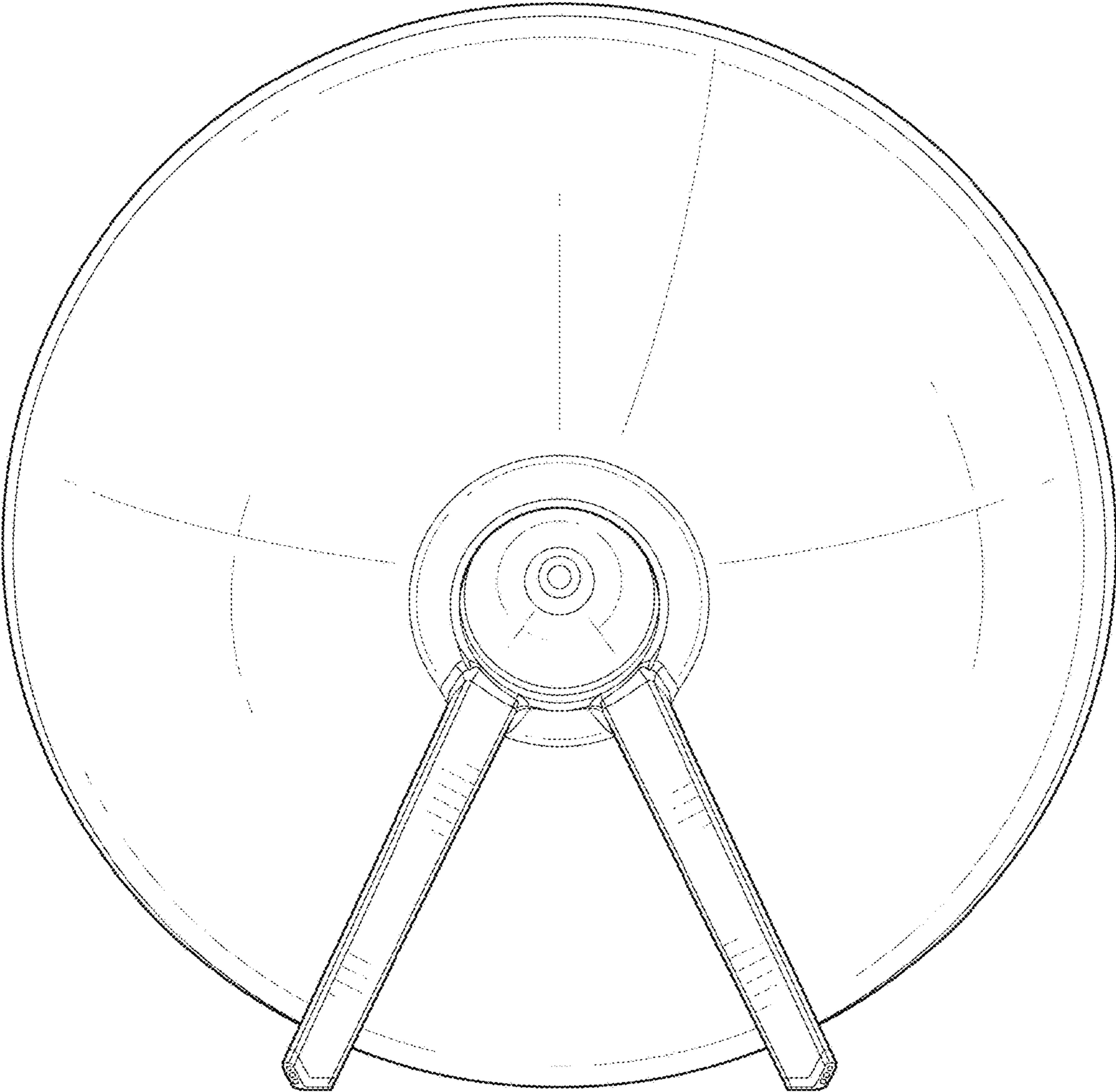
1.3



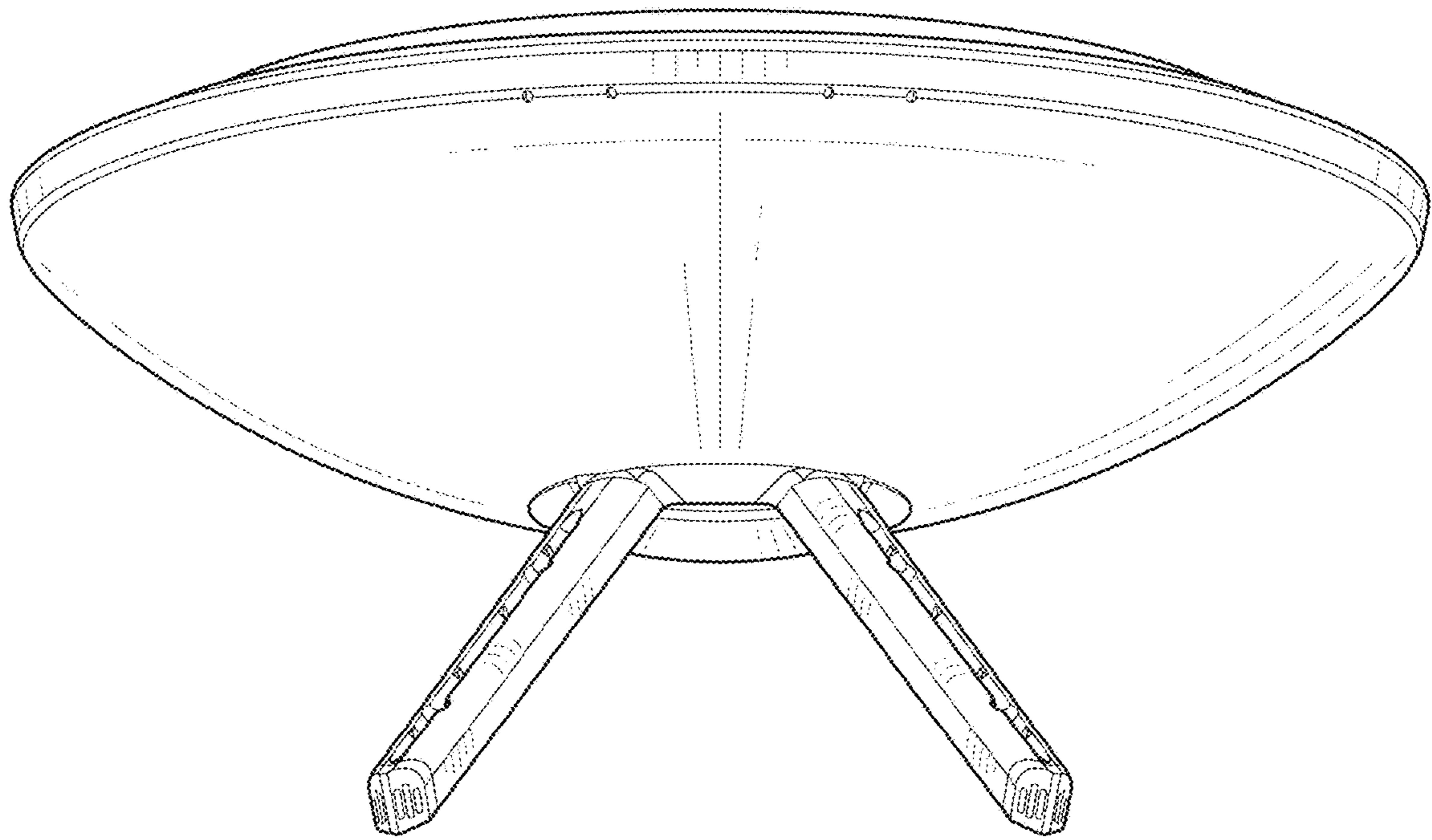
1.4



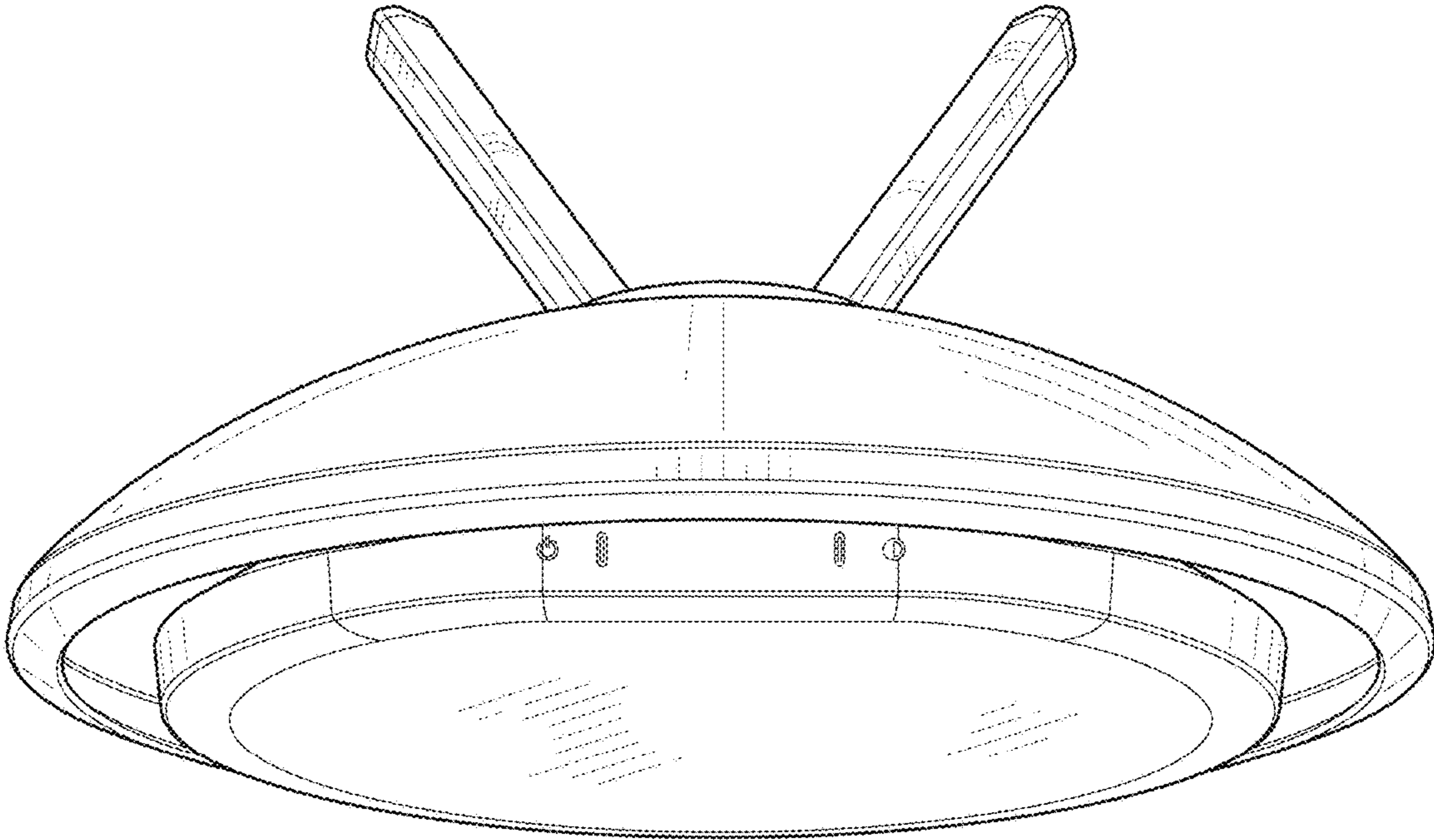
1.5



1.6



1.7



1.8

