



US00D944441S

(12) **United States Design Patent** (10) **Patent No.:** **US D944,441 S**
Ou (45) **Date of Patent:** **** Feb. 22, 2022**

(54) **LIGHT**

(71) Applicant: **Yunyi Ou**, Guangdong (CN)

(72) Inventor: **Yunyi Ou**, Guangdong (CN)

(**) Term: **15 Years**

(21) Appl. No.: **29/776,163**

(22) Filed: **Mar. 29, 2021**

(51) **LOC (13) Cl.** **26-03**

(52) **U.S. Cl.**
USPC **D26/87**

(58) **Field of Classification Search**
USPC D26/72, 80, 84-88, 92
CPC .. F21S 8/033; F21S 8/035; F21S 8/036; F21S
8/046

See application file for complete search history.

(56) **References Cited**

U.S. PATENT DOCUMENTS

D501,572 S *	2/2005	Lee	D26/80
D700,989 S	3/2014	Rampolla et al.		
D721,199 S *	1/2015	Gilbert	D26/87
D845,533 S *	4/2019	Tomlinson	D26/87
D882,149 S *	4/2020	Lin	D26/87
D913,565 S *	3/2021	Yu	D26/87
D916,352 S *	4/2021	Zeng	D26/86
D921,275 S *	6/2021	Liu	D26/87
D922,658 S *	6/2021	Chen	D26/87

OTHER PUBLICATIONS

URSOLA Bathroom Light Fixture ASIN: B08R5W3VT7 available from amazon.com Dec. 22, 2020. (Year: 2020).*

WIHTU Bathroom Vanity Light Fixture ASIN: B08J7ZT5B2 available from amazon.com Nov. 9, 2020. (Year: 2020).*

Globe Electric 50192 Parker Vanity Light, ASIN: B0744PJGMS available from amazon.com Jul. 21, 2017. (Year: 2017).*

Ashley Harbour Collection Edmonton 3-Light Matte Black Vanity Light available from homedepot.com as early as Mar. 17, 2021. (Year: 2021).*

* cited by examiner

Primary Examiner — Clare E Heflin

(57) **CLAIM**

The ornamental design for a light, as shown and described.

DESCRIPTION

FIG. 1 is a front and top perspective view of a light, showing my new design;

FIG. 2 is a rear and bottom perspective view thereof;

FIG. 3 is a front elevation view thereof;

FIG. 4 is a rear elevation view thereof;

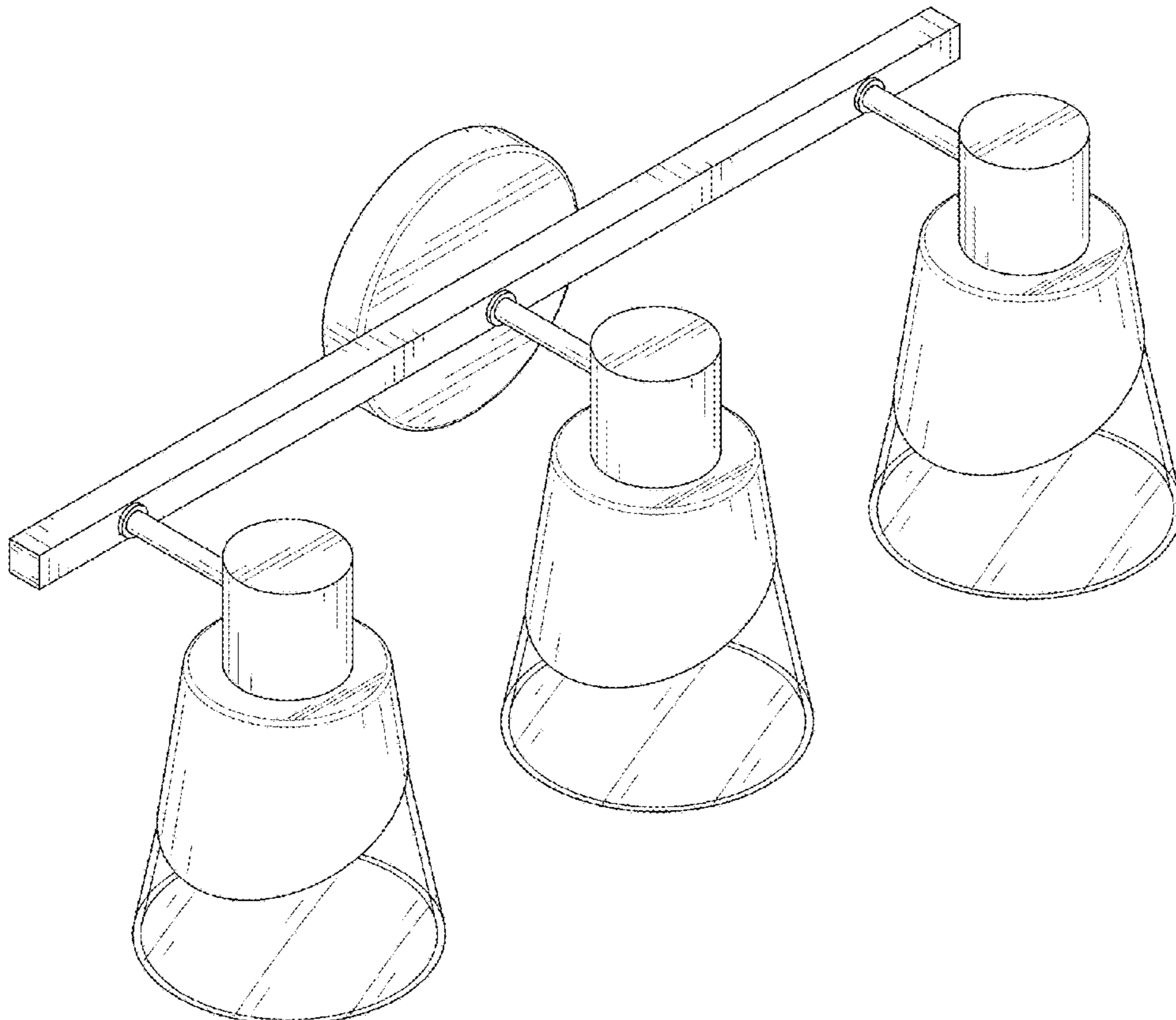
FIG. 5 is a left side elevation view thereof;

FIG. 6 is a right side elevation view thereof;

FIG. 7 is a top plan view thereof; and,

FIG. 8 is a bottom plan view thereof.

1 Claim, 8 Drawing Sheets



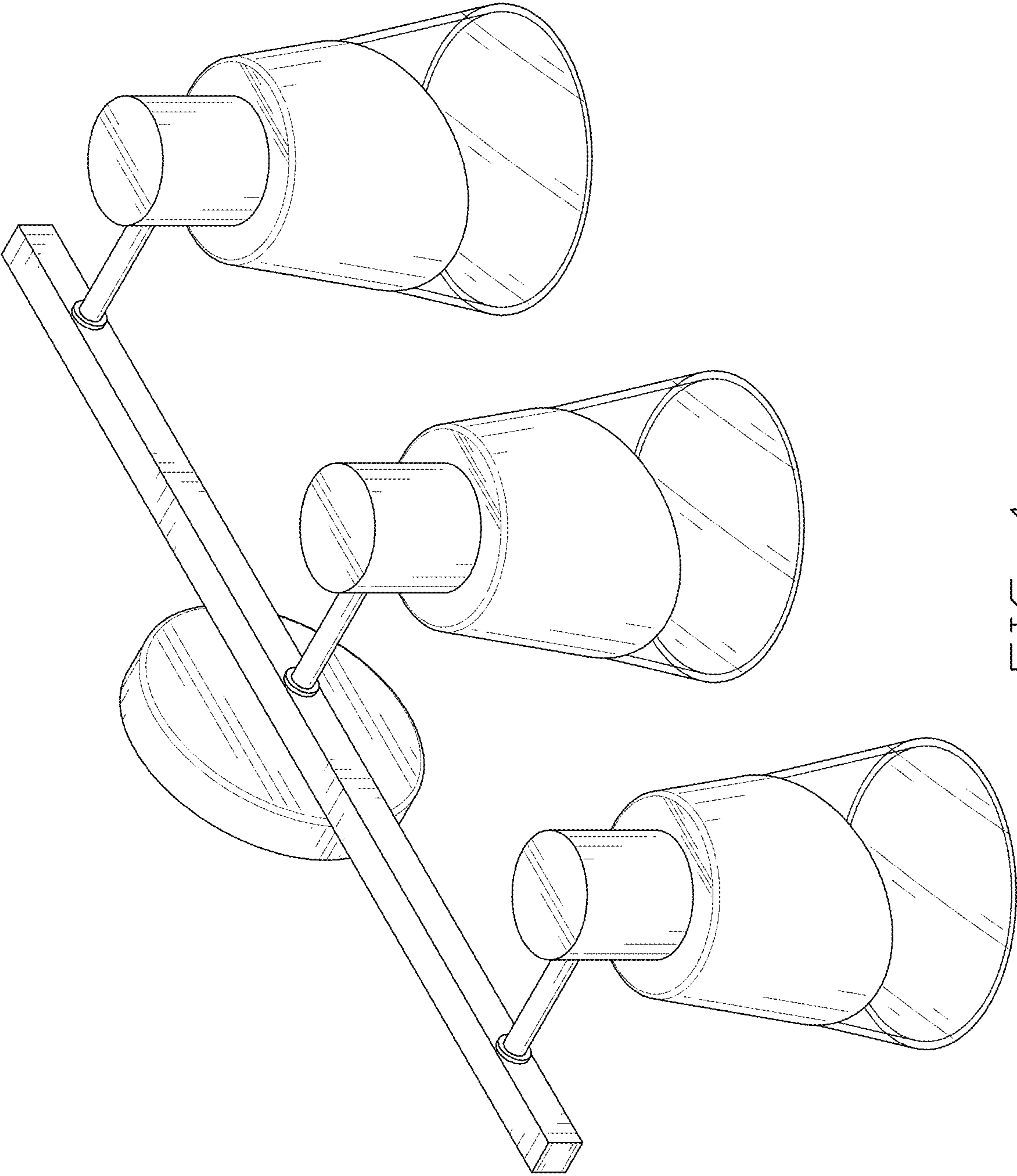


FIG. 1

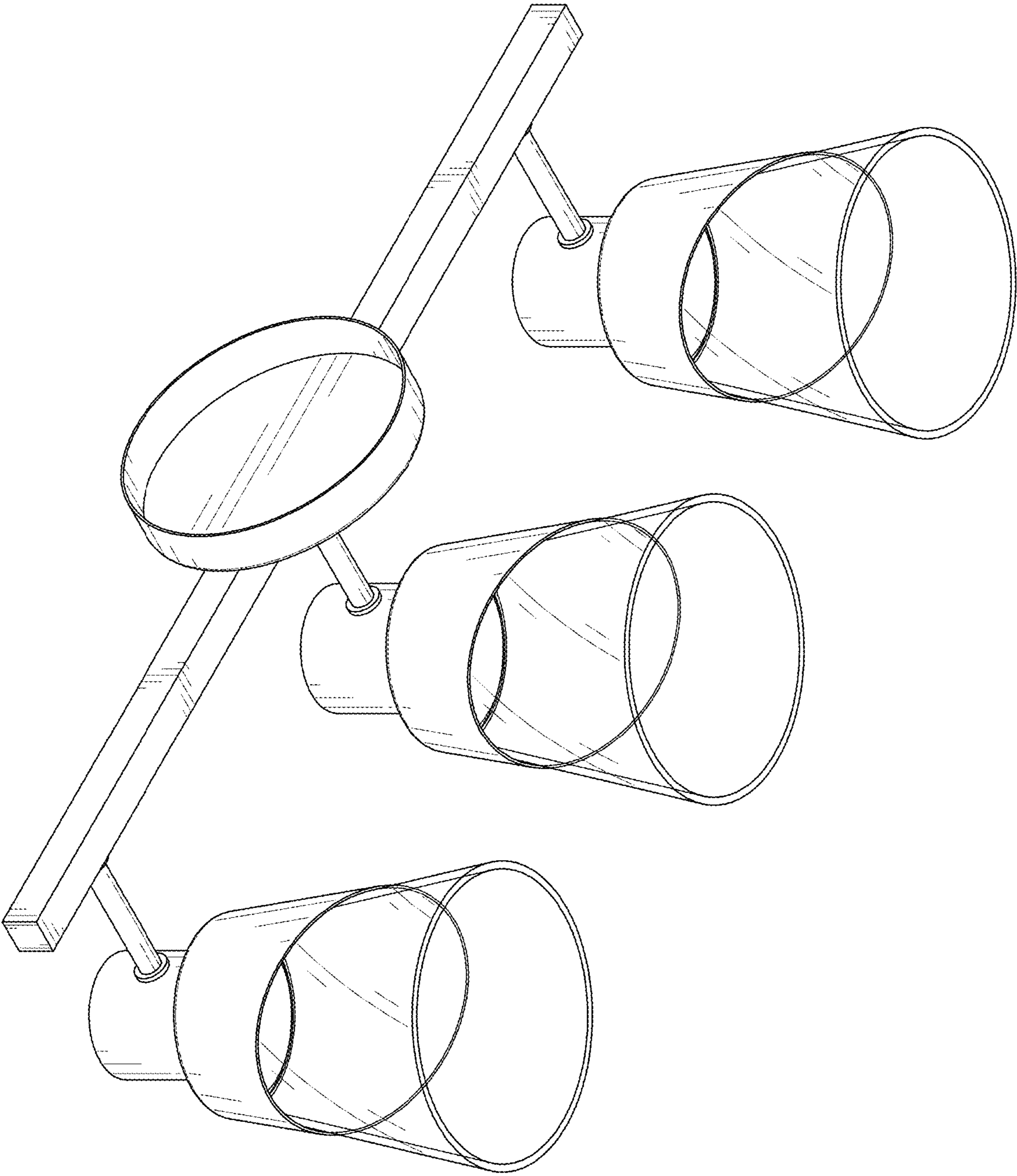


FIG. 2

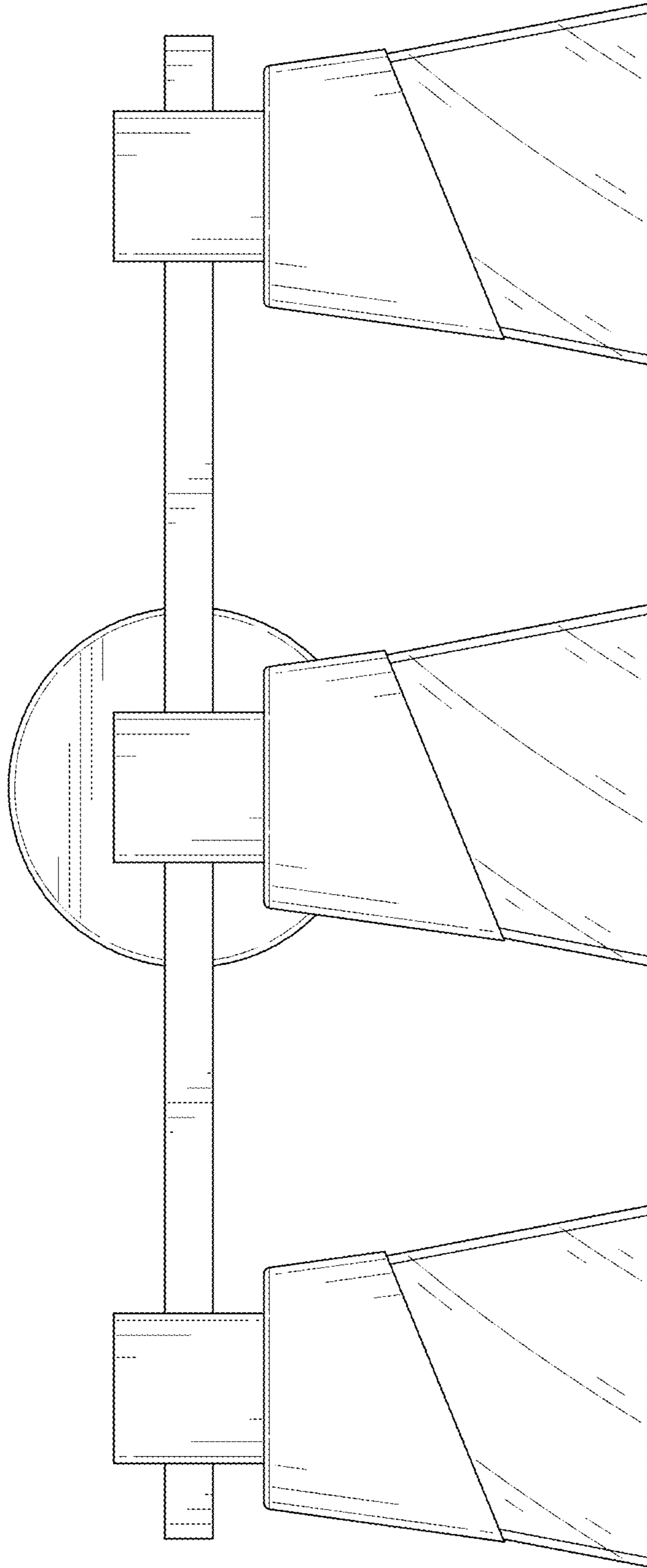


FIG. 3

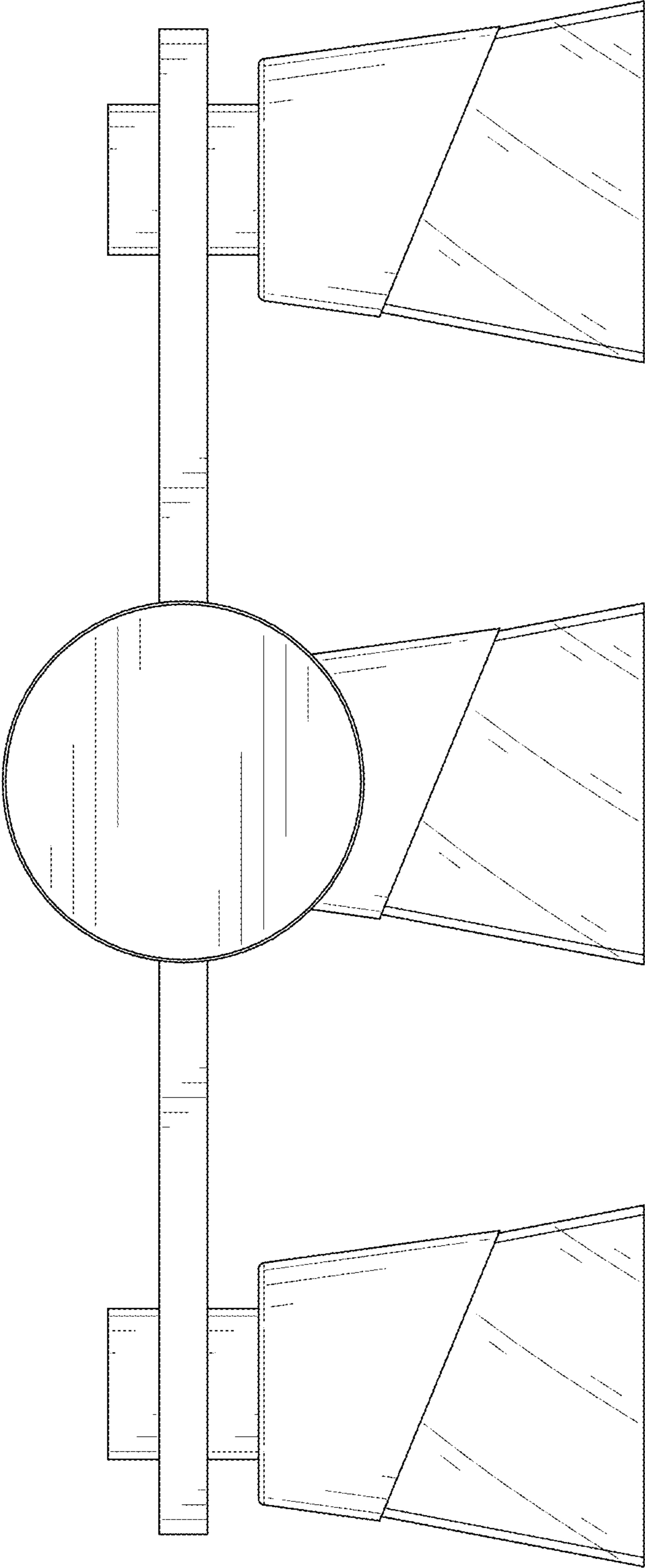


FIG. 4

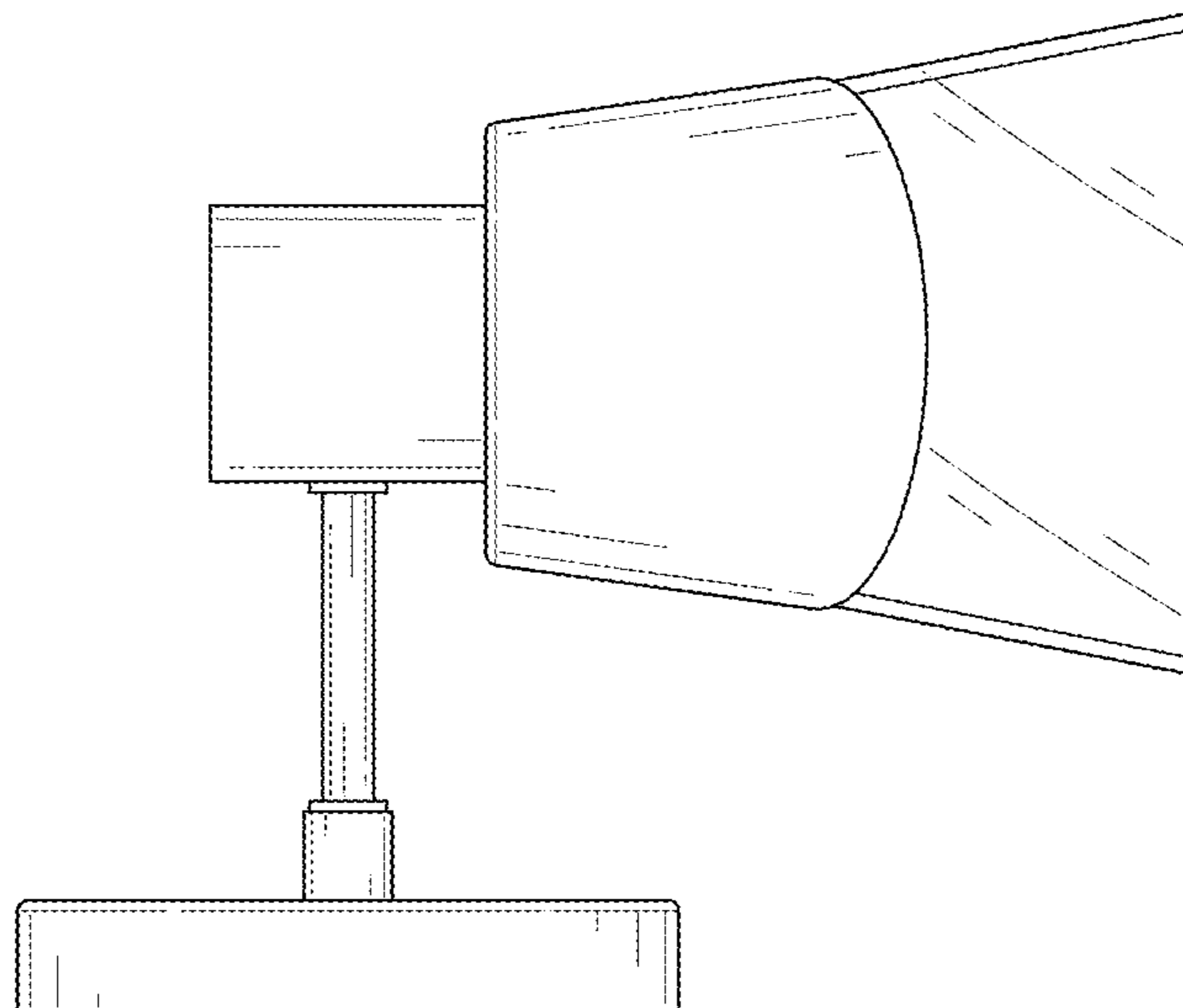


FIG. 5

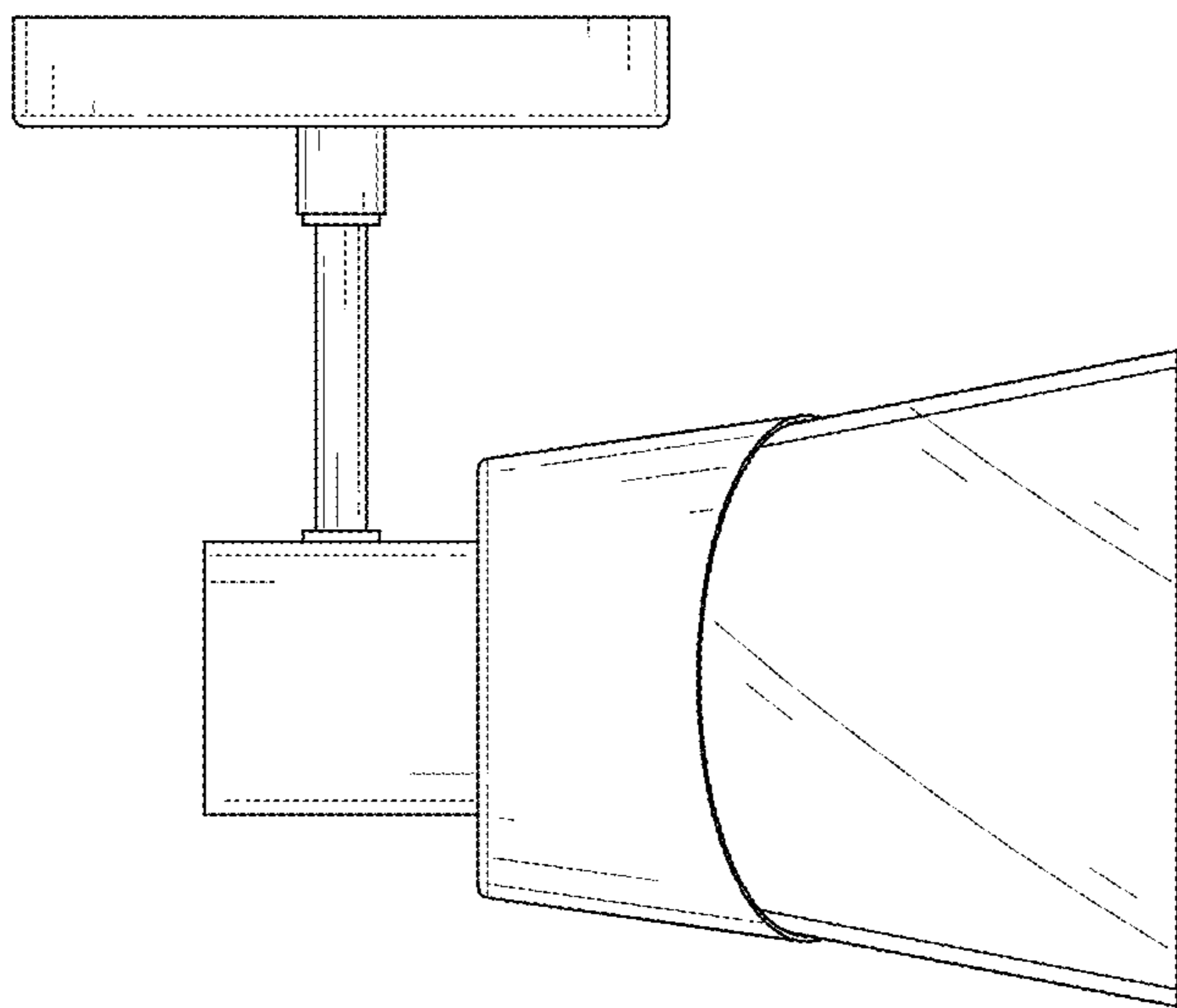


FIG. 6

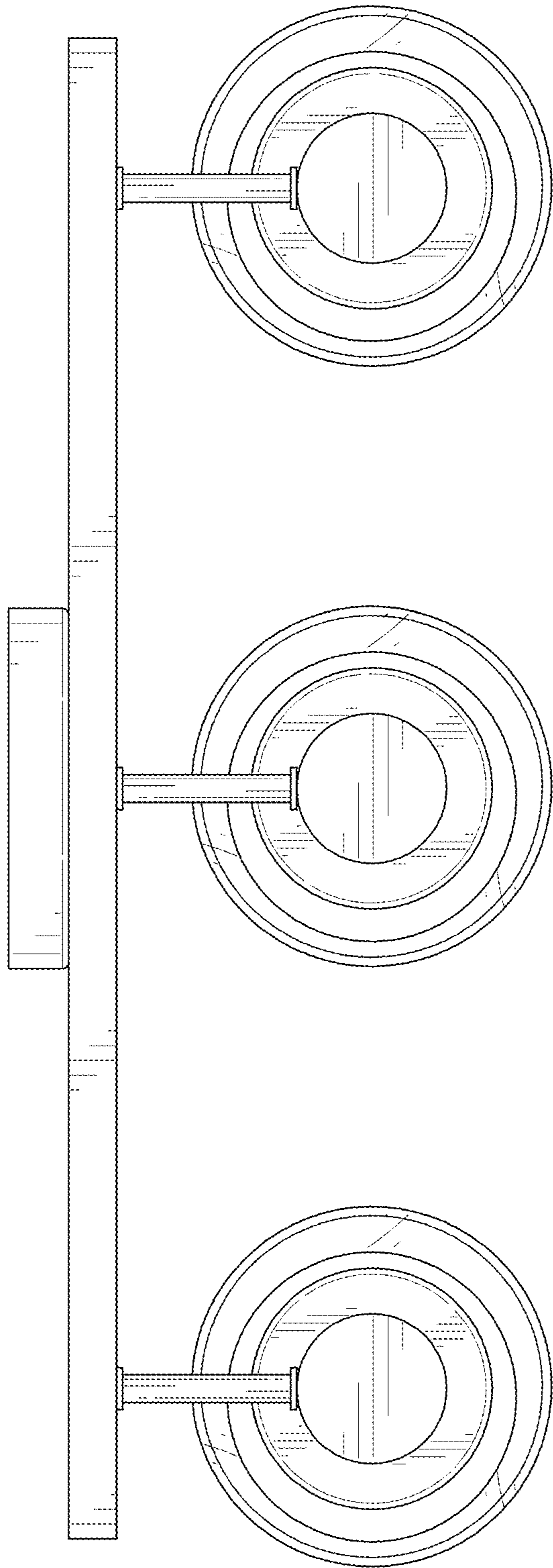


FIG. 7

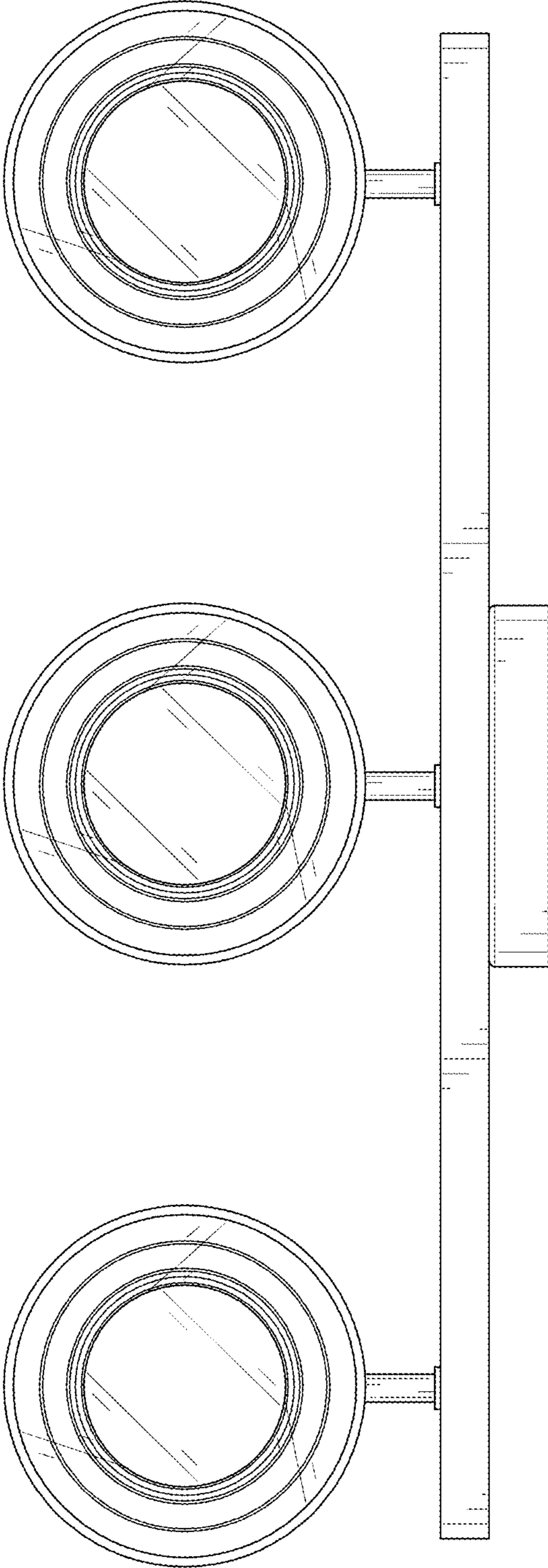


FIG. 8