



US00D944440S

(12) **United States Design Patent**
Cao et al.

(10) **Patent No.:** **US D944,440 S**
(45) **Date of Patent:** **** Feb. 22, 2022**

(54) **LED GROW LIGHT**
(71) Applicant: **LUMLUX CORP.**, Jiangsu (CN)
(72) Inventors: **Bo Cao**, Jiangsu (CN); **Ming Qiu**,
Jiangsu (CN); **Meilin Ding**, Jiangsu
(CN)
(73) Assignee: **LUMLUX CORP.**, Suzhou (CN)
(**) Term: **15 Years**

D785,225 S * 4/2017 Gan D26/72
D786,202 S * 5/2017 Hodrinsky
D814,682 S * 4/2018 Lu D26/76
D822,870 S * 7/2018 Scarlata D26/76
D823,519 S * 7/2018 Adams D26/76
D860,501 S * 9/2019 Heiner D26/76
D861,947 S * 10/2019 Ma D26/72
D864,455 S * 10/2019 Sullivan D26/76
D870,344 S * 12/2019 Chen
D872,923 S * 1/2020 Deng D26/76
D884,612 S * 5/2020 Lau D13/107
D893,077 S * 8/2020 Liu D26/76
D910,222 S * 2/2021 Zhang D26/72

(21) Appl. No.: **29/757,921**
(22) Filed: **Nov. 10, 2020**
(51) **LOC (13) Cl.** **26-04**
(52) **U.S. Cl.**
USPC **D26/76**
(58) **Field of Classification Search**
USPC D26/72, 74, 76, 78–83, 85, 86, 88, 90,
D26/93, 111, 113, 118–122, 138, 139,
D26/140, 141, 142, 152
CPC F21S 2/00; F21S 4/00; F21S 4/003; F21S
4/005; F21S 4/006; F21S 4/007; F21S
4/008; F21S 6/00; F21S 8/00; F21S
8/024; F21S 8/026; F21S 8/031; F21S
8/033; F21S 8/035–037; F21S 8/04; F21S
8/043; F21S 8/063
See application file for complete search history.

* cited by examiner

Primary Examiner — Natasha Vujcic
(74) *Attorney, Agent, or Firm* — Dragon Sun Law Firm,
PC; Jinggao Li, Esq.

(57) **CLAIM**

The ornamental design for a LED grow light, as shown and described.

DESCRIPTION

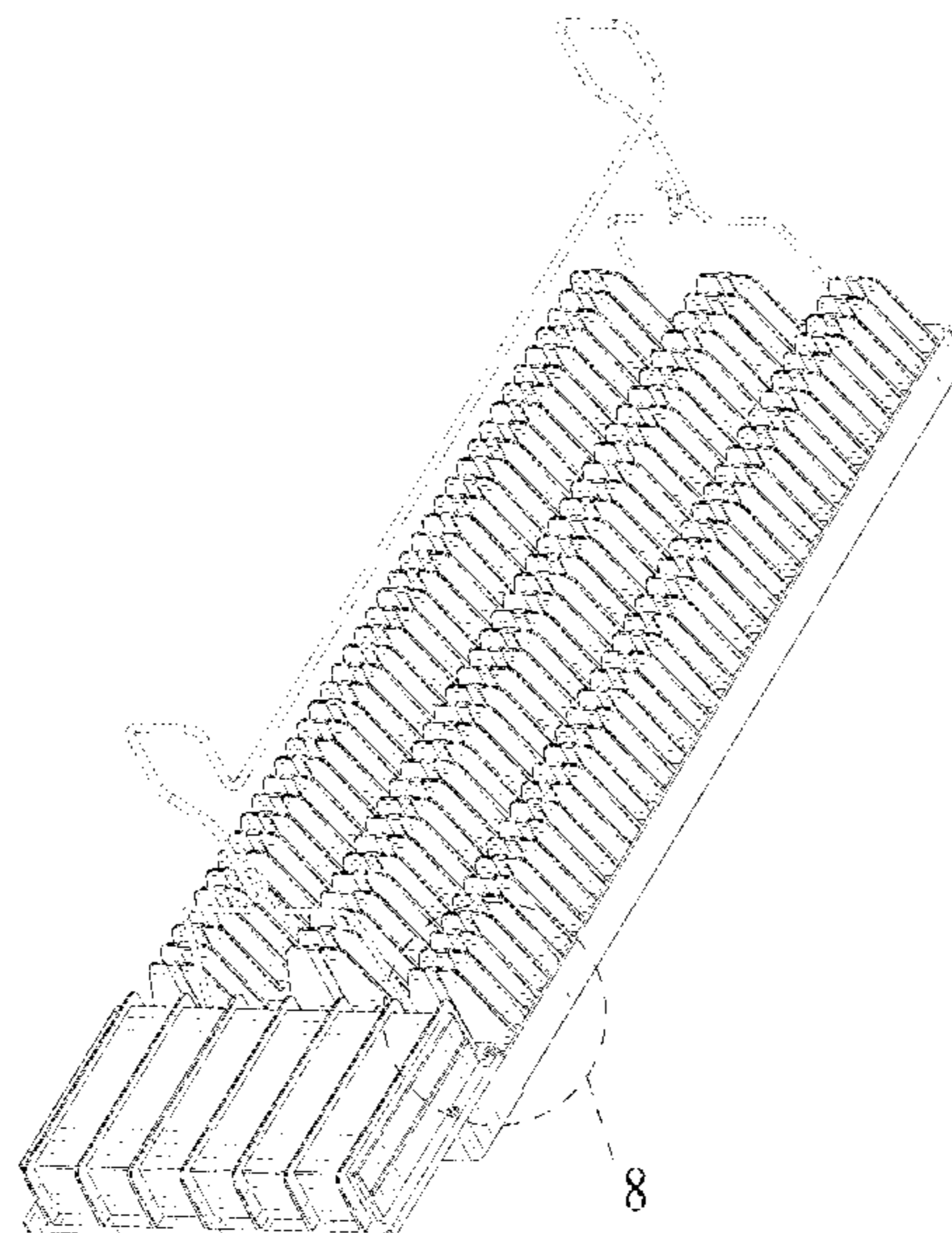
FIG. 1 is a perspective view of a LED grow light showing our new design;
FIG. 2 is a front view thereof;
FIG. 3 is a rear view thereof;
FIG. 4 is a left view thereof;
FIG. 5 is a right view thereof;
FIG. 6 is an enlarged top view thereof;
FIG. 7 is an enlarged bottom view thereof;
FIG. 8 is an enlarged view of the selected portion 8 in FIG. 1;
FIG. 9 is an enlarged view of the selected portion 9 in FIG. 4; and,
FIG. 10 is an enlarged view of the selected portion 10 in FIG. 5.
The broken lines shown in the figures depict portions of the LED grow light that form no part of the claimed design.

(56) **References Cited**

U.S. PATENT DOCUMENTS

D503,677 S * 4/2005 Wardenburg D13/110
D592,786 S * 5/2009 Bisberg D26/76
D632,821 S * 2/2011 Culbert
D639,467 S * 6/2011 Coplin et al.
D667,968 S * 9/2012 Shin et al.
D679,440 S * 4/2013 Smith D26/80
D751,751 S * 3/2016 Lockart et al.
D761,477 S * 7/2016 Guercio D26/76
D779,101 S * 2/2017 Redfern D26/74

1 Claim, 10 Drawing Sheets



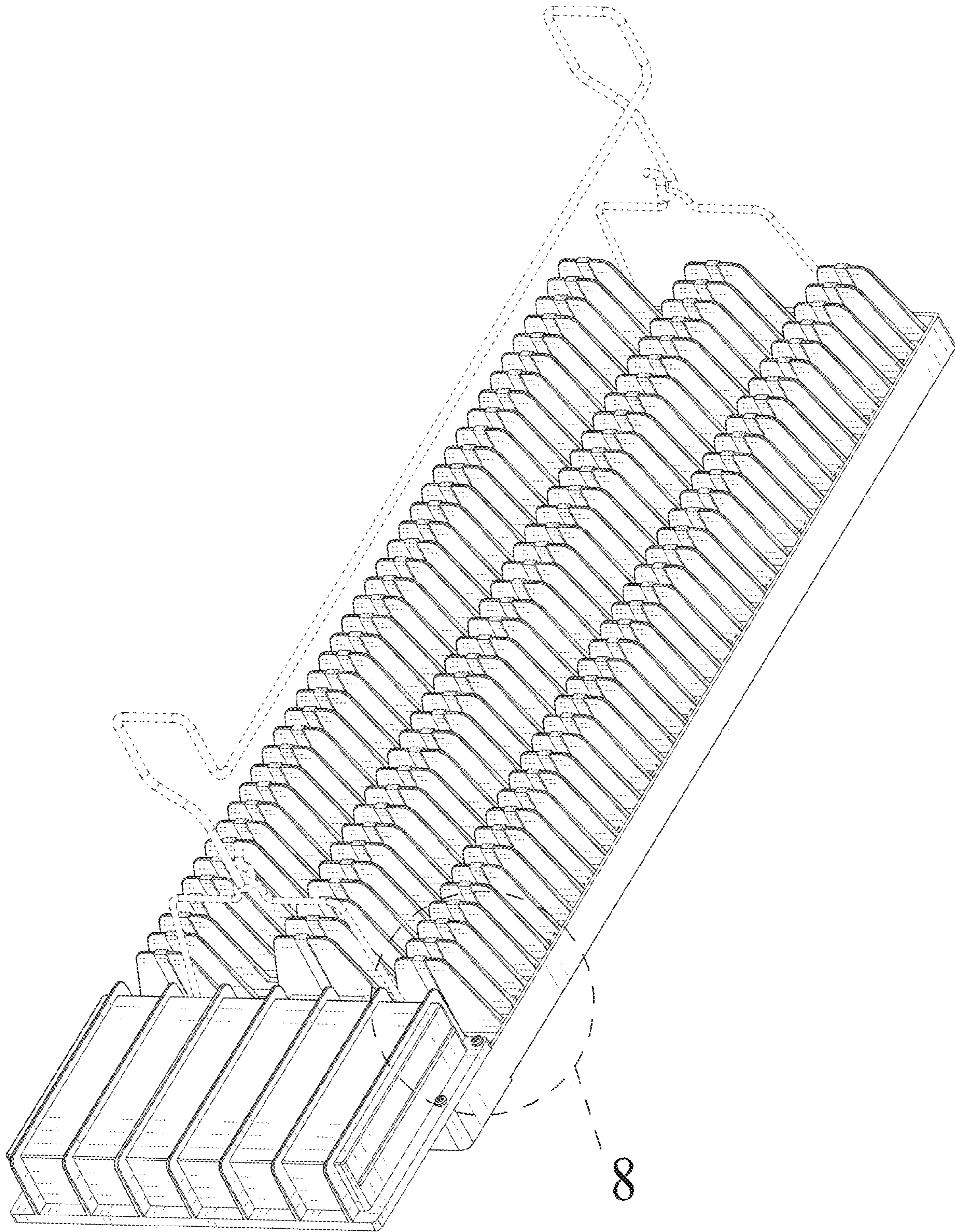


FIG.1

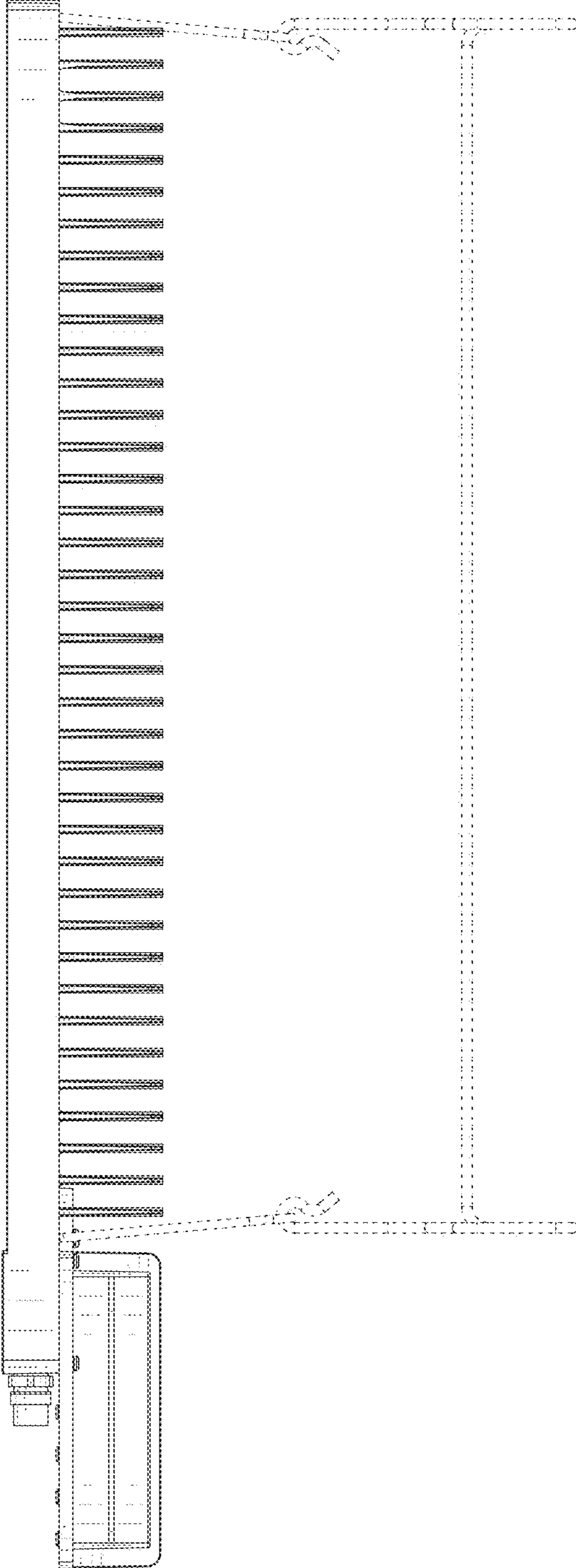


FIG.2

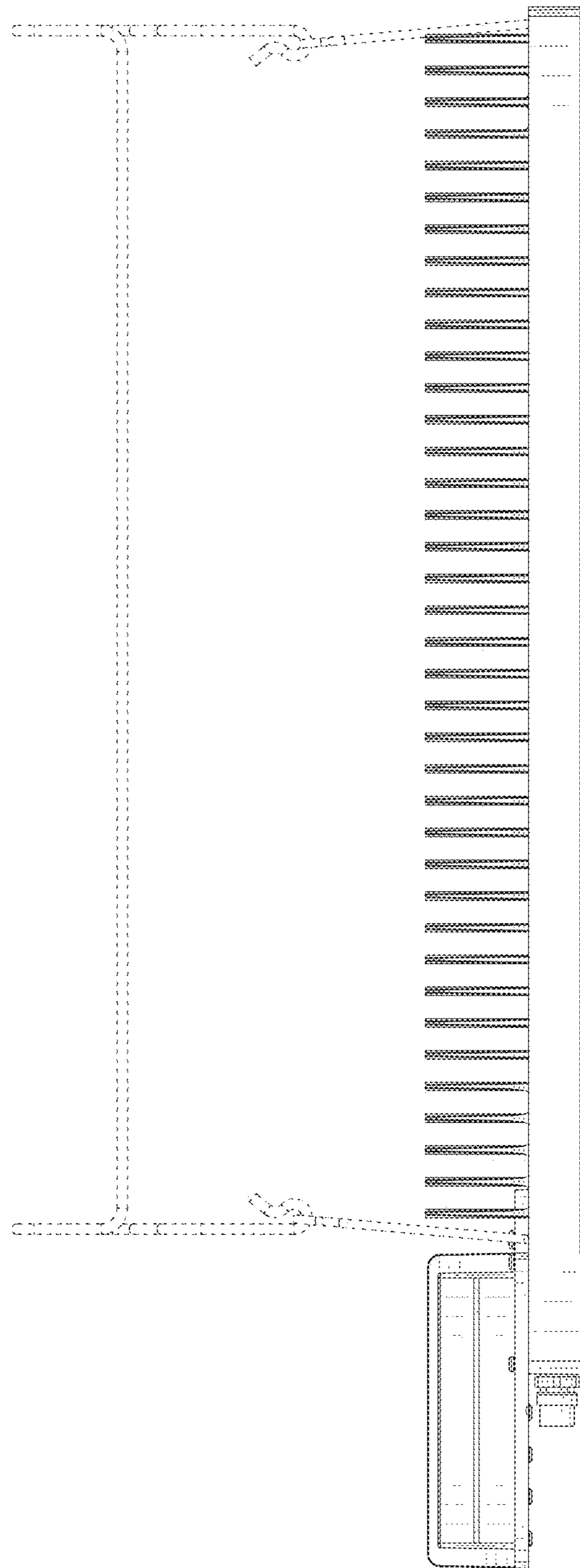


FIG.3

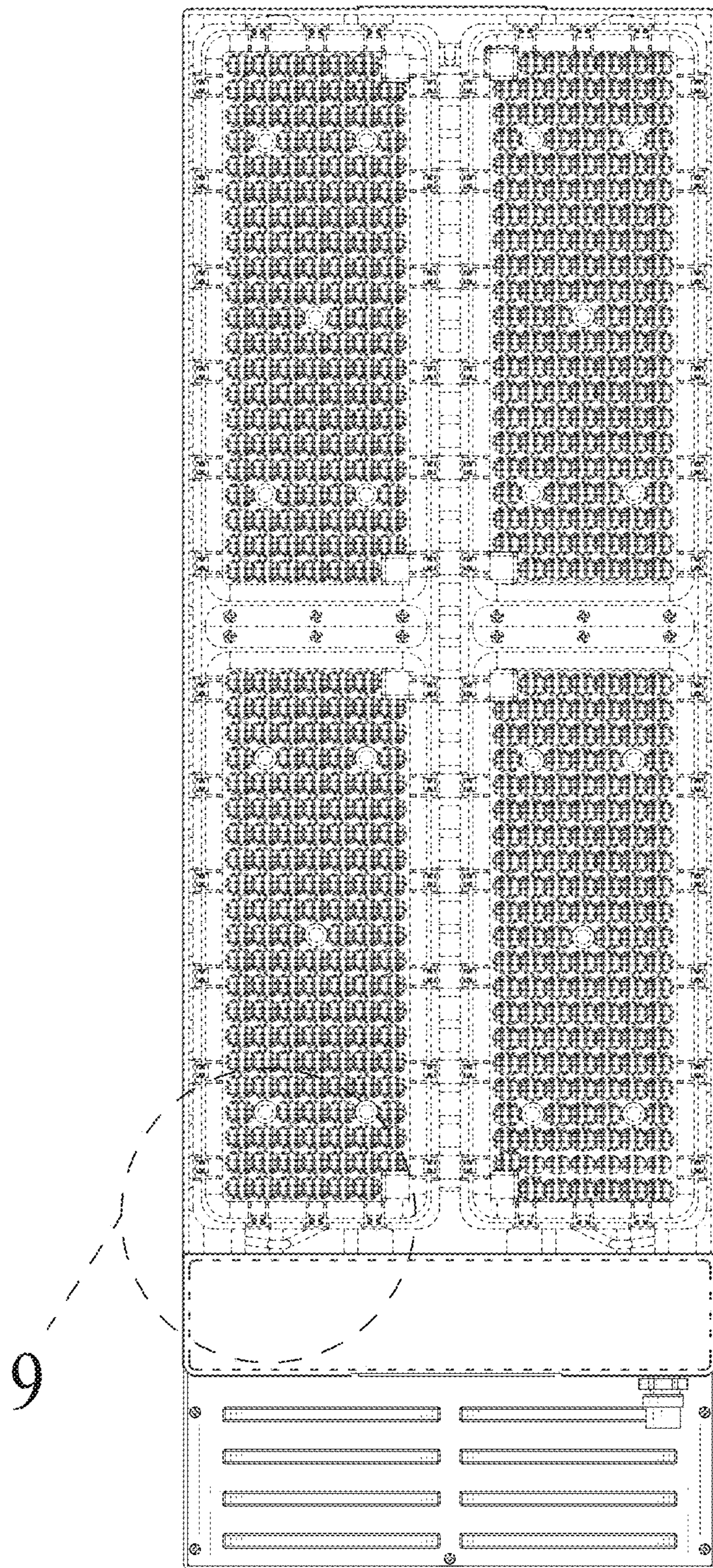


FIG. 4

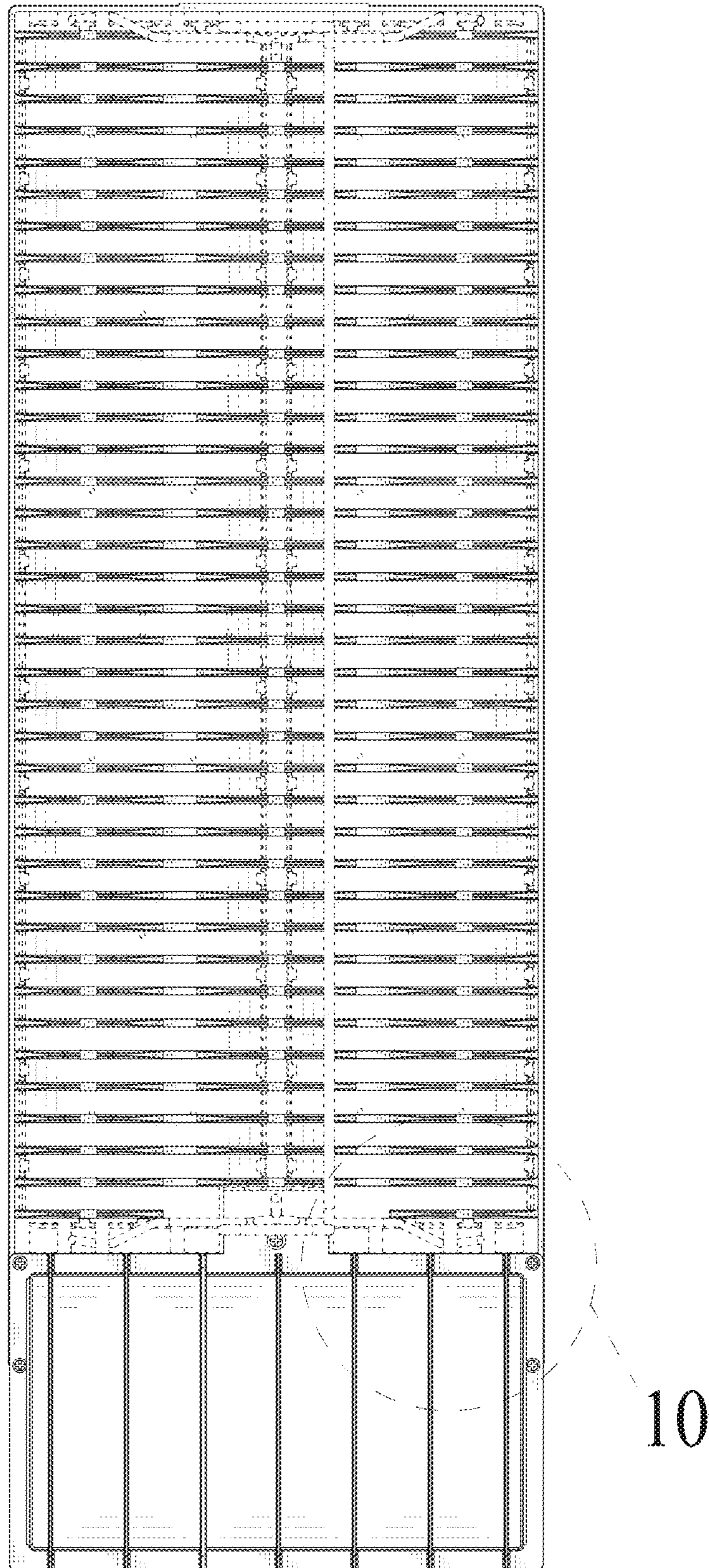


FIG.5

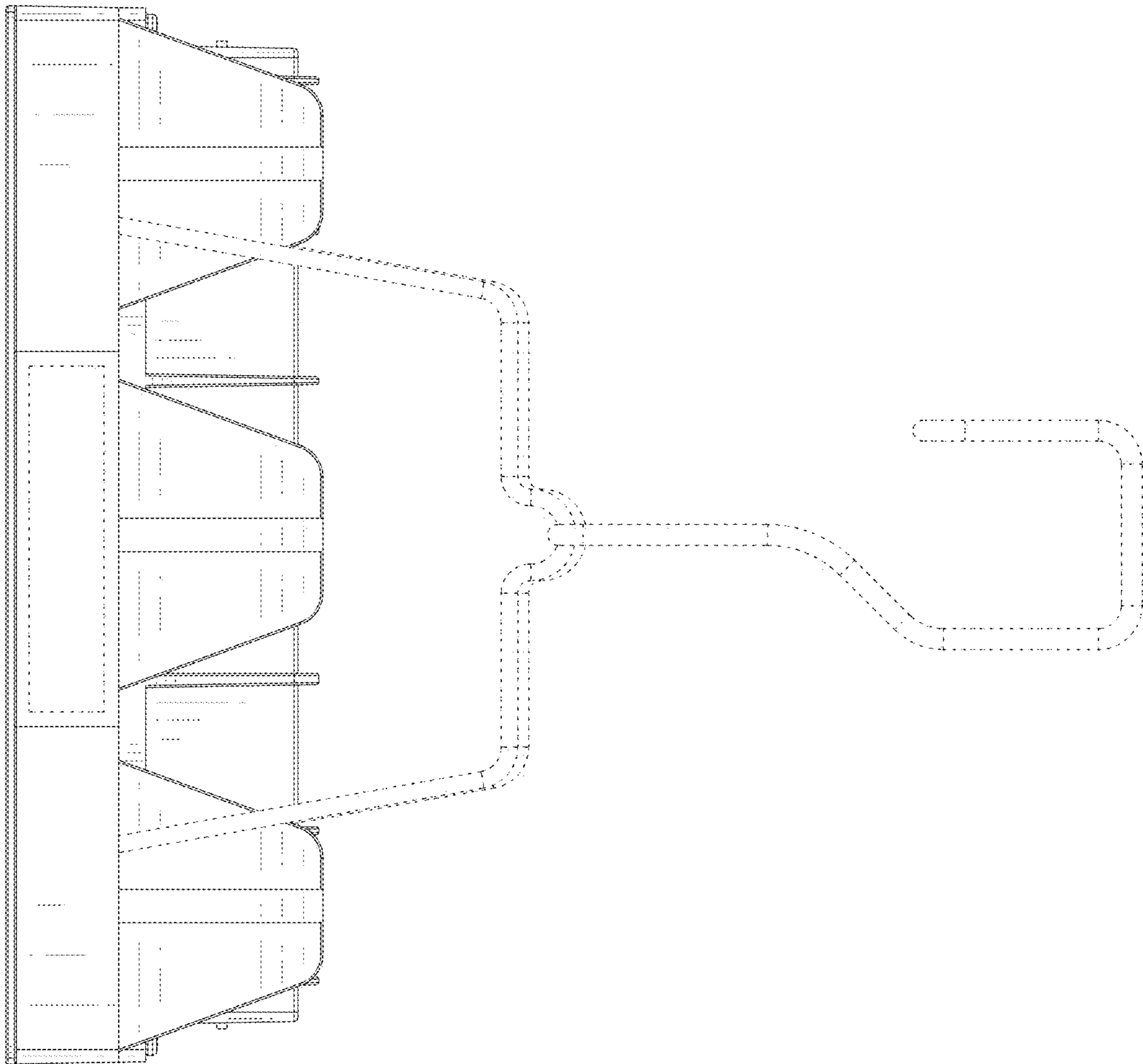


FIG.6

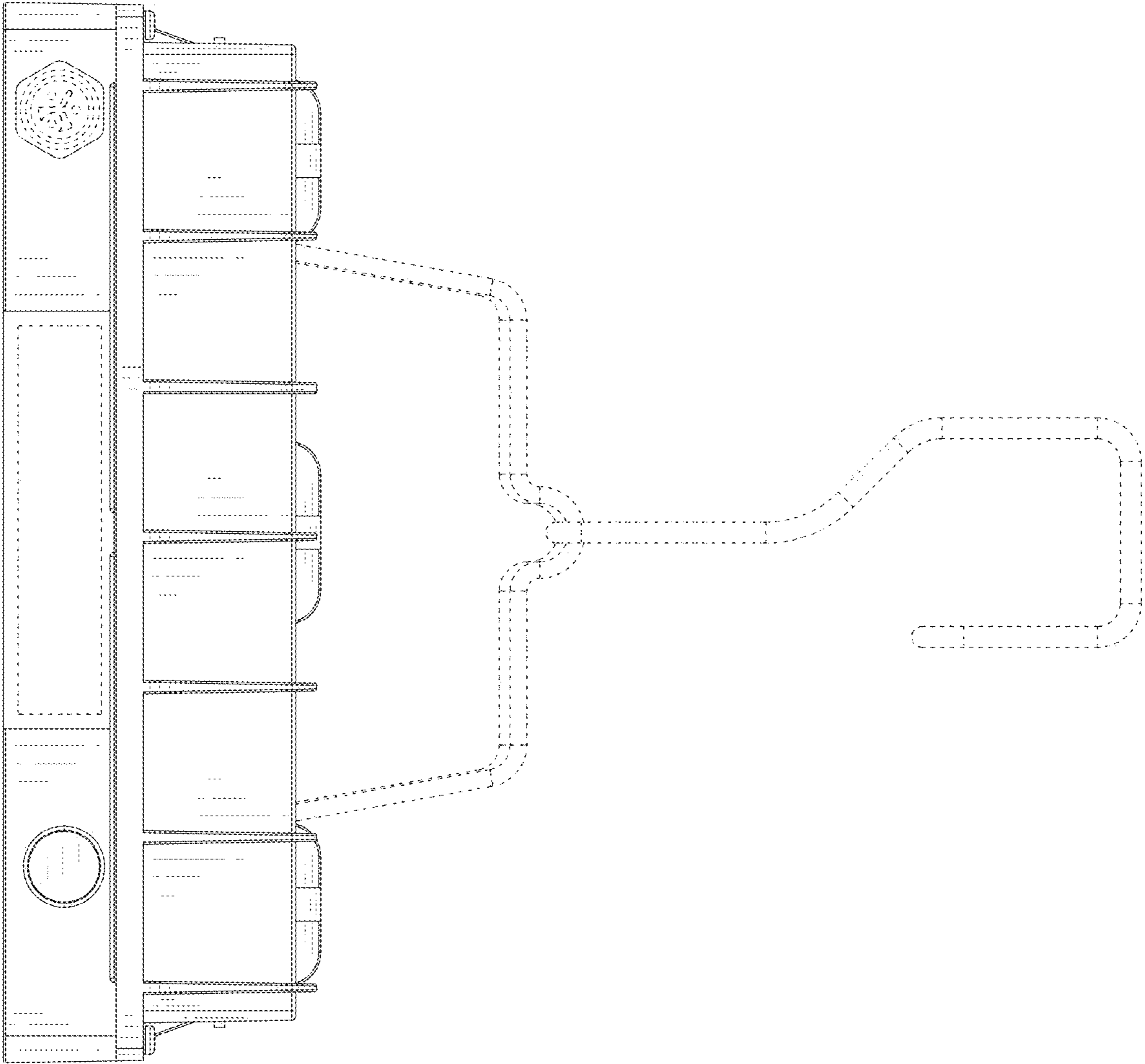


FIG. 7

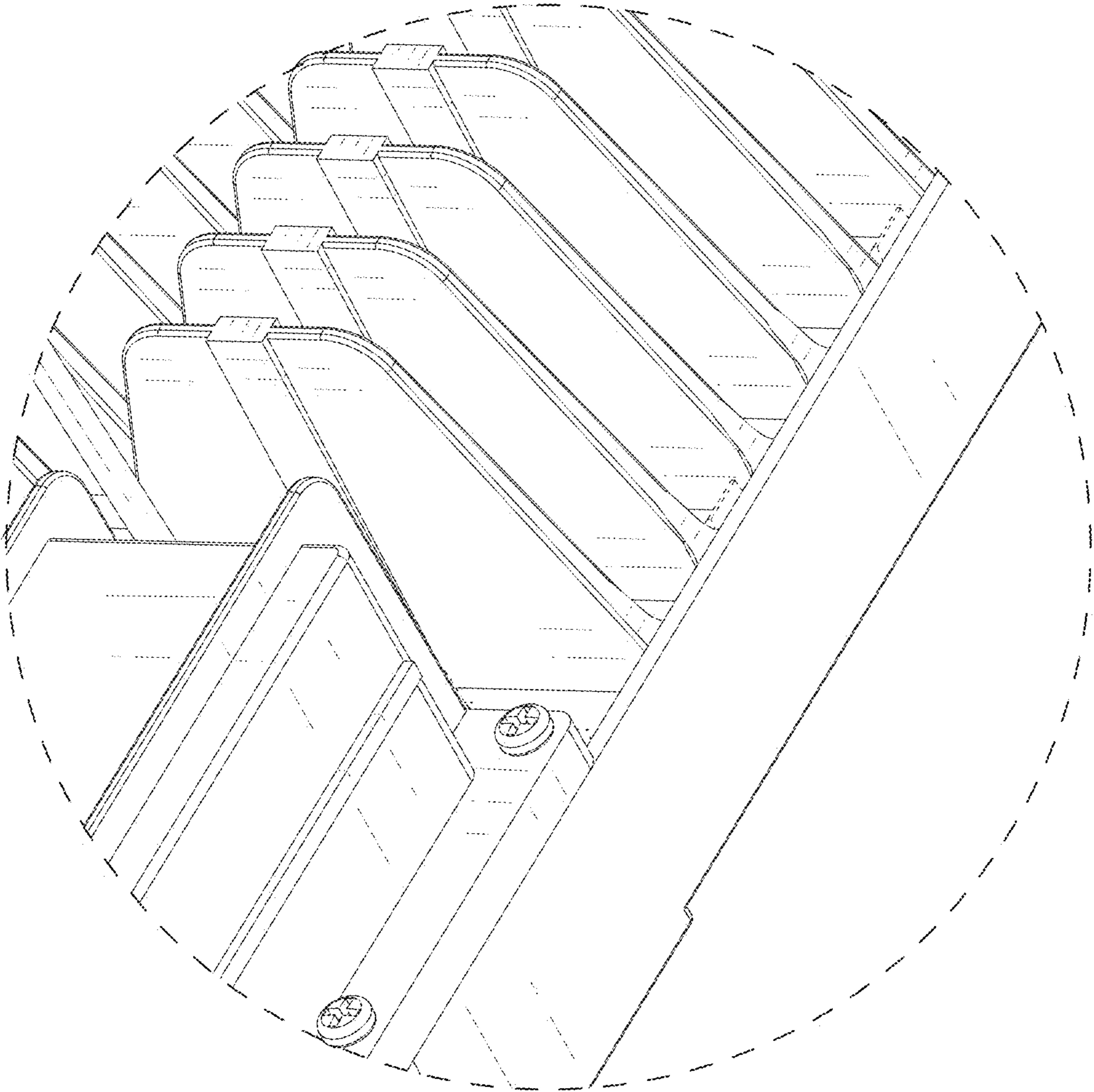


FIG.8

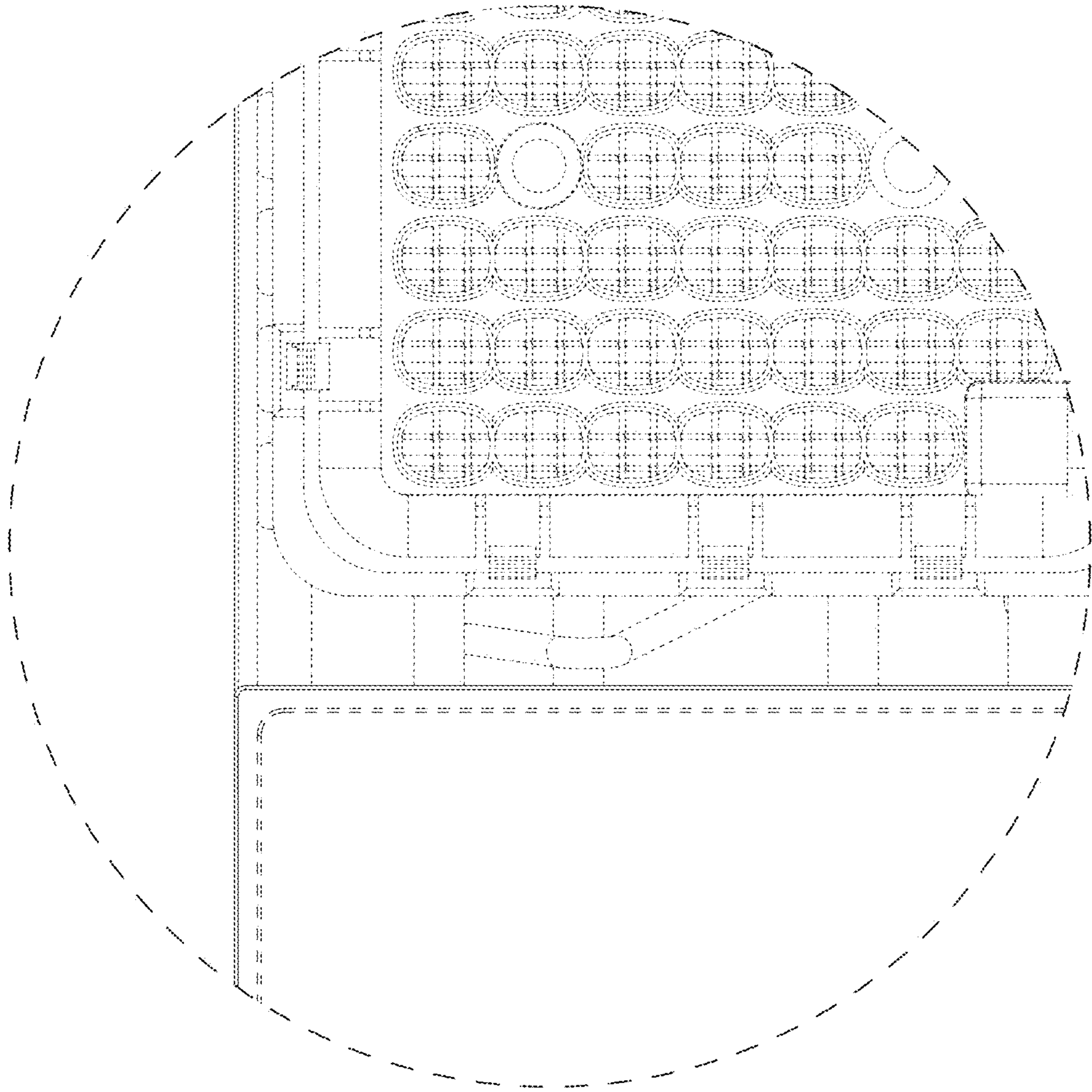


FIG.9

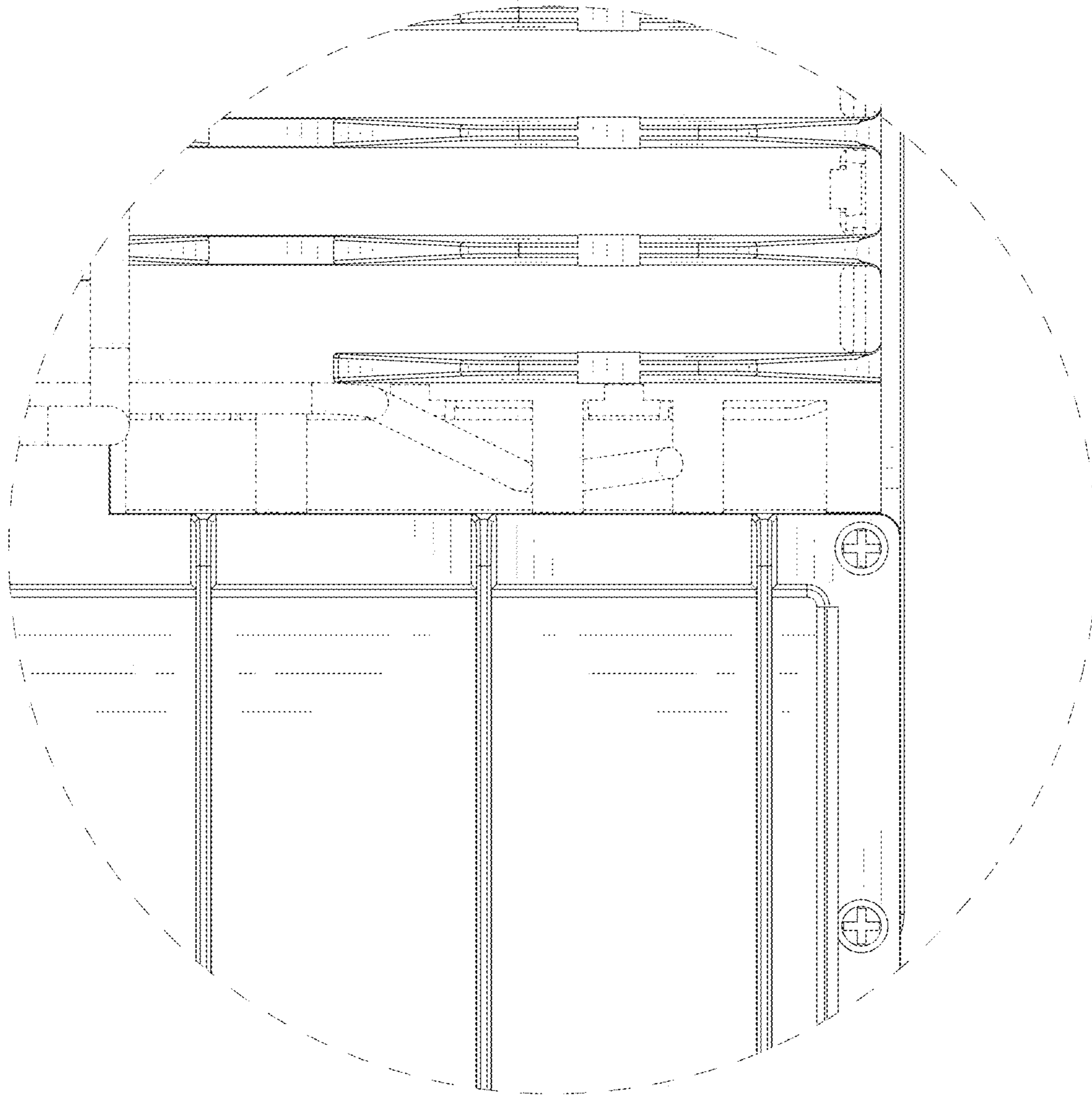


FIG. 10