



US00D944437S

(12) **United States Design Patent** (10) **Patent No.:** **US D944,437 S**
Yuan (45) **Date of Patent:** **** Feb. 22, 2022**

(54) **LIGHT FIXTURE**
(71) Applicant: **Qing Yuan**, Elkhart, IN (US)
(72) Inventor: **Qing Yuan**, Elkhart, IN (US)
(**) Term: **15 Years**
(21) Appl. No.: **29/651,577**
(22) Filed: **Sep. 27, 2018**
(51) **LOC (13) Cl.** **26-05**
(52) **U.S. Cl.**
USPC **D26/74**
(58) **Field of Classification Search**
USPC D26/74, 72, 75, 76, 77, 78, 85, 88, 89,
D26/118, 138, 141; 362/364, 365, 373,
362/145, 146, 147, 148, 150, 153, 153.1,
362/294, 296.01, 296.07, 296.08
CPC F21V 29/2262; F21V 7/06; F21V 21/044;
F21V 21/047; F21V 29/2212; F21V
29/2225; F21V 29/2256; F21V 29/225;
F21V 29/2268; F21Y 2111/002; F21S
8/02; F21S 8/026
See application file for complete search history.

(56) **References Cited**
U.S. PATENT DOCUMENTS
D488,251 S * 4/2004 Benghozi D26/118
D544,979 S * 6/2007 Hartmann, Jr. D26/74
D561,374 S * 2/2008 Hartmann, Jr. D26/74
D601,744 S * 10/2009 Sakuma D26/89
D609,840 S * 2/2010 Tang D26/74

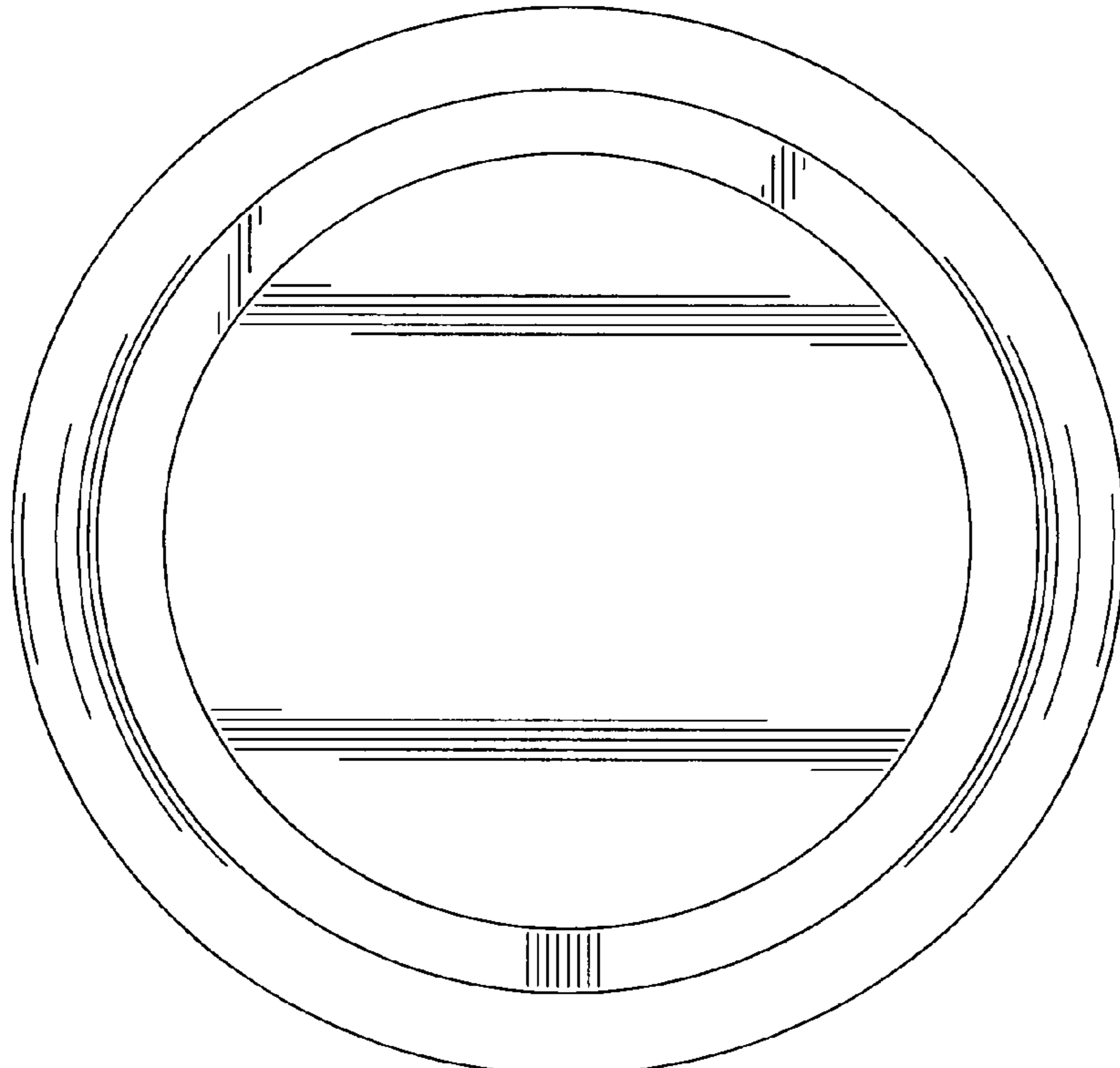
D633,644 S * 3/2011 Sprengers D26/89
D663,880 S * 7/2012 Janssen D26/74
D671,668 S * 11/2012 Rowlette, Jr D26/74
D705,473 S * 5/2014 Messisaen D26/74
D712,082 S * 8/2014 Harpenau D26/74
D724,775 S * 3/2015 van Dijk D26/74
D770,076 S * 10/2016 Li D26/89
D808,565 S * 1/2018 Ambrozus D26/74
D828,944 S * 9/2018 Xie D26/74
2017/0045188 A1* 2/2017 Im F21V 7/04
2018/0306416 A1* 10/2018 Zeng F21S 8/026

* cited by examiner
Primary Examiner — Angela J Lee
(74) *Attorney, Agent, or Firm* — Ryan M. Fountain

(57) **CLAIM**
The ornamental design for light fixture, as shown and described.

DESCRIPTION
FIG. 1 shows a front view of an embodiment of the present invention, not illuminated, the back view forming no portion of the claimed design.
FIG. 2 shows a left side perspective view of the embodiment of FIG. 1, the right side view being a mirror image thereof.
FIG. 3 shows a front view of a second embodiment of the present invention, the back view forming no part of the claimed design; and,
FIG. 4 shows a left side perspective view of the embodiment of FIG. 3, the right side view being a mirror image thereof.

1 Claim, 4 Drawing Sheets



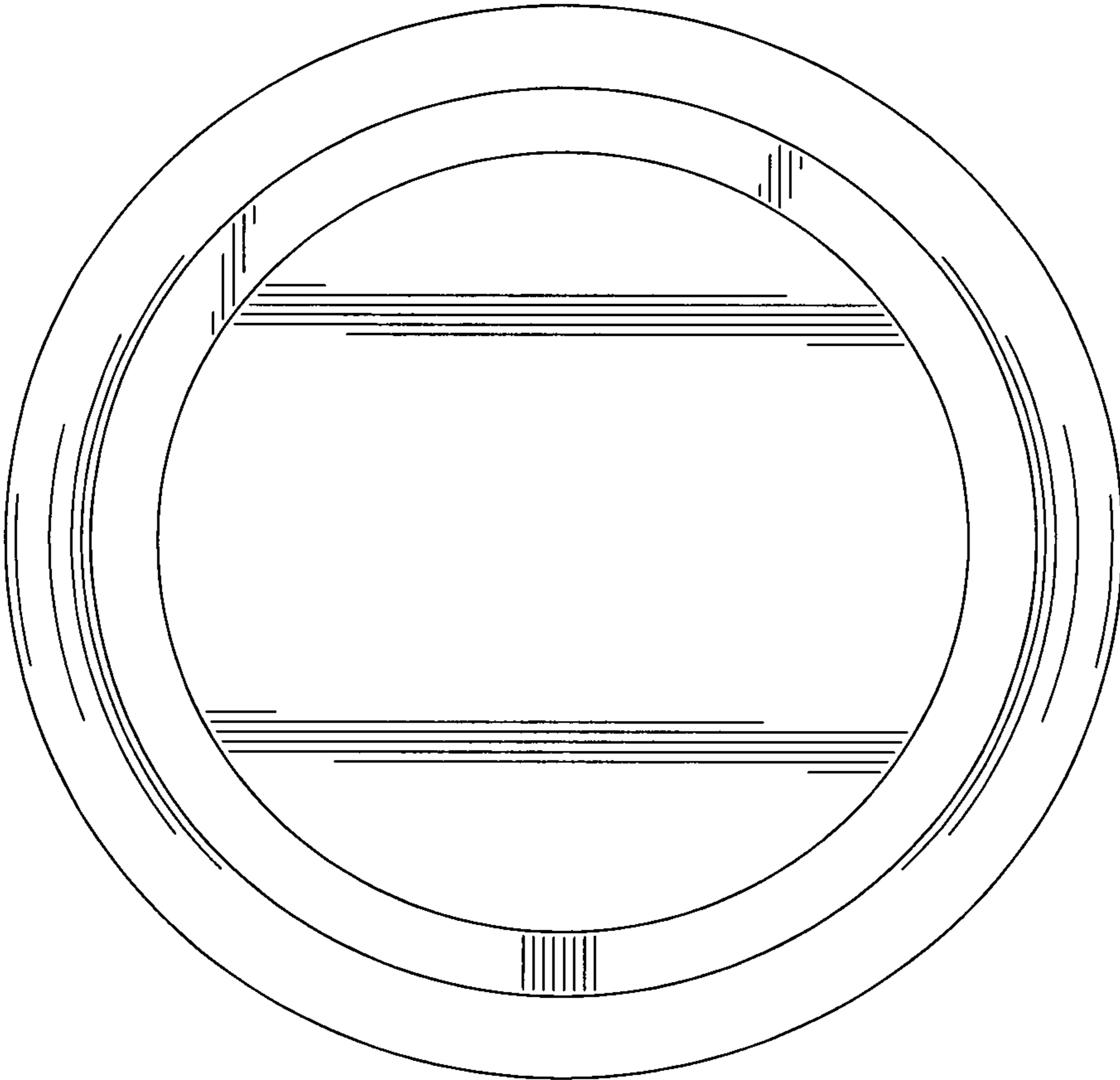


FIG. 1

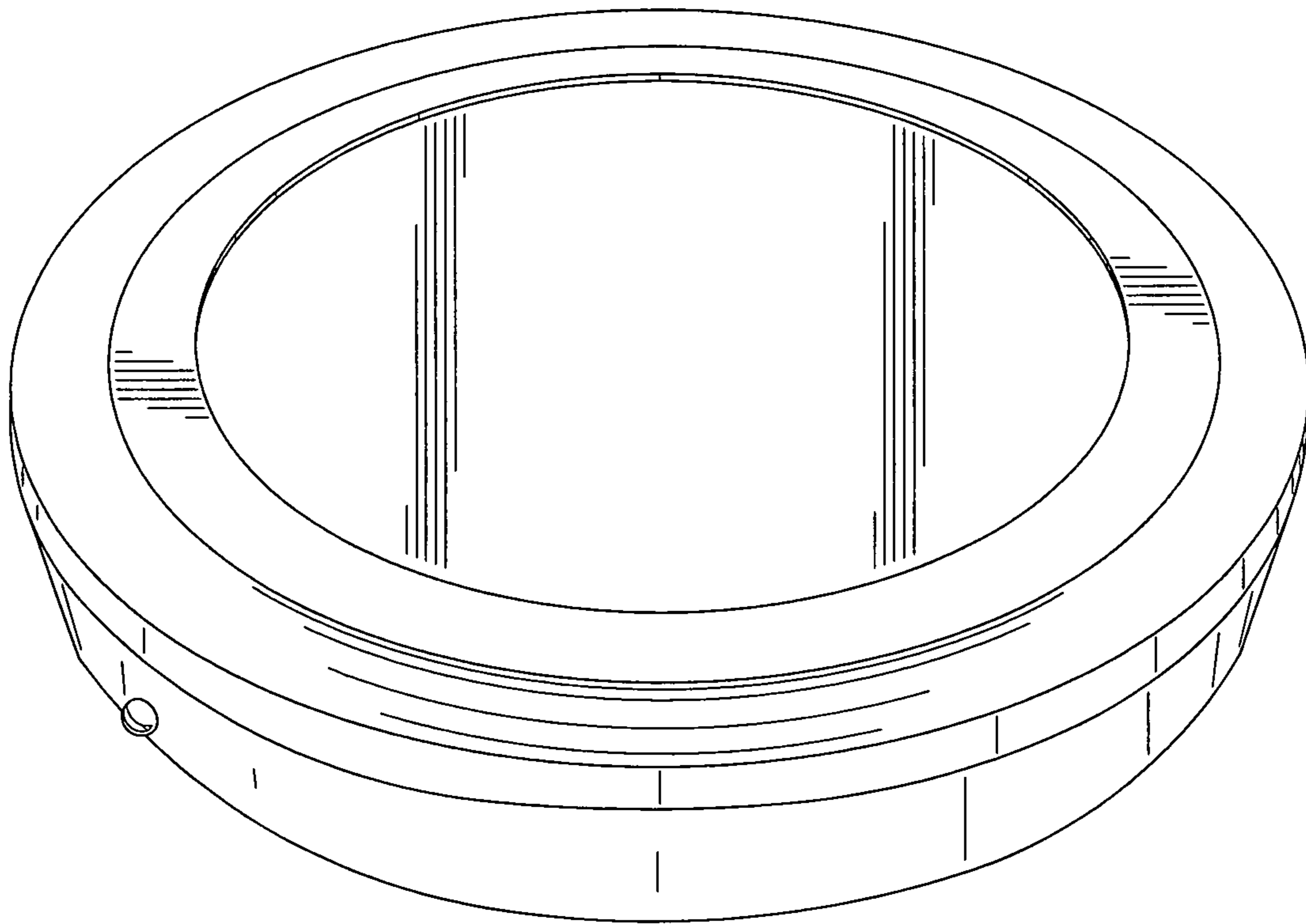


FIG. 2

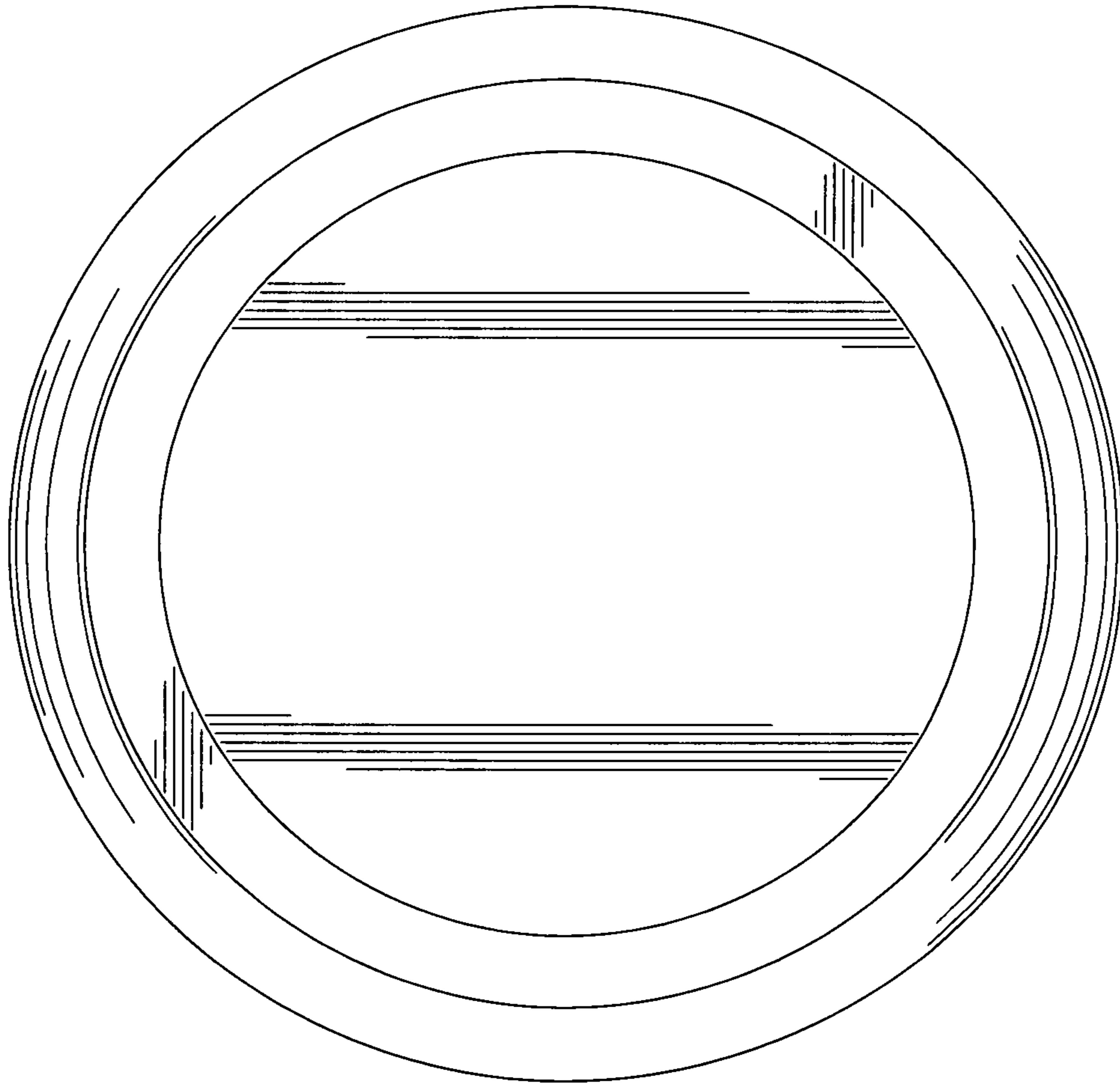


FIG. 3

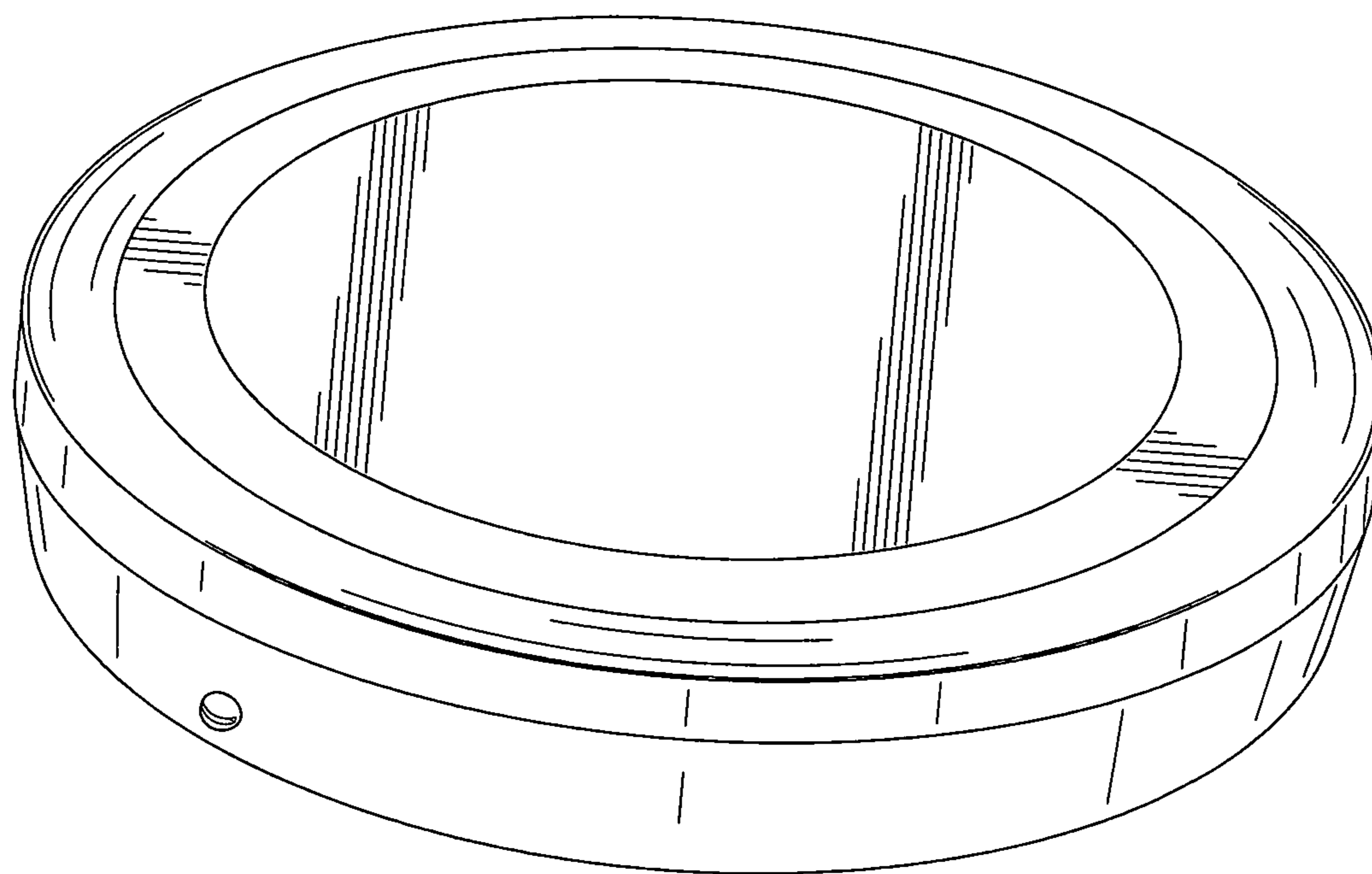


FIG. 4