



US00D944435S

(12) **United States Design Patent** (10) **Patent No.:** **US D944,435 S**
Jiang (45) **Date of Patent:** **** Feb. 22, 2022**

(54) **SOLAR LAMP**

FOREIGN PATENT DOCUMENTS

(71) Applicant: **NINGBO JINGHOME IMP & EXP CO., LTD.**, Ningbo (CN)

EM 008422893-0001 * 2/2021

(72) Inventor: **Qin Jiang**, Ningbo (CN)

OTHER PUBLICATIONS

(73) Assignee: **NINGBO JINGHOME IMP & EXP CO., LTD.**, Ningbo (CN)

Amazon, "Claoner Solar Lights Outdoor", first available Aug. 28, 2020. (<https://www.amazon.com/dp/B08GWR6Y7K/>) (Year: 2020).*
Amazon, "Solar Lights Outdoor 120 LED with Lights Reflector", first available Jan. 2, 2020. (<https://www.amazon.com/Outdoor-Reflector-Security-Waterproof-Wireless/dp/B083FKXK3N/>) (Year: 2020).*

(**) Term: **15 Years**

(21) Appl. No.: **29/769,041**

Amazon, "MEIHUA Solar Lights Outdoor", first available Oct. 29, 2021. (<https://www.amazon.com/dp/B09KMXQ4MQ/>) (Year: 2021).*
Amazon, "Solar Outdoor Lights, Tuffenough", first available Aug. 31, 2021. (<https://www.amazon.com/dp/B09F3DJNGF/>) (Year: 2021).*

(22) Filed: **Feb. 3, 2021**

(51) **LOC (13) Cl.** **26-03**

(52) **U.S. Cl.**
USPC **D26/65**

* cited by examiner

(58) **Field of Classification Search**
USPC D26/1, 2, 24, 65
CPC F21L 2/00; F21L 4/00; F21L 4/02; F21L 4/025; F21L 4/027; F21L 14/00; F21S 2/00; F21S 8/03; F21S 8/033

Primary Examiner — Lauren D McVey
Assistant Examiner — Justin A Johnson

See application file for complete search history.

(57) **CLAIM**

The ornamental design for a solar lamp, as shown and described.

(56) **References Cited**

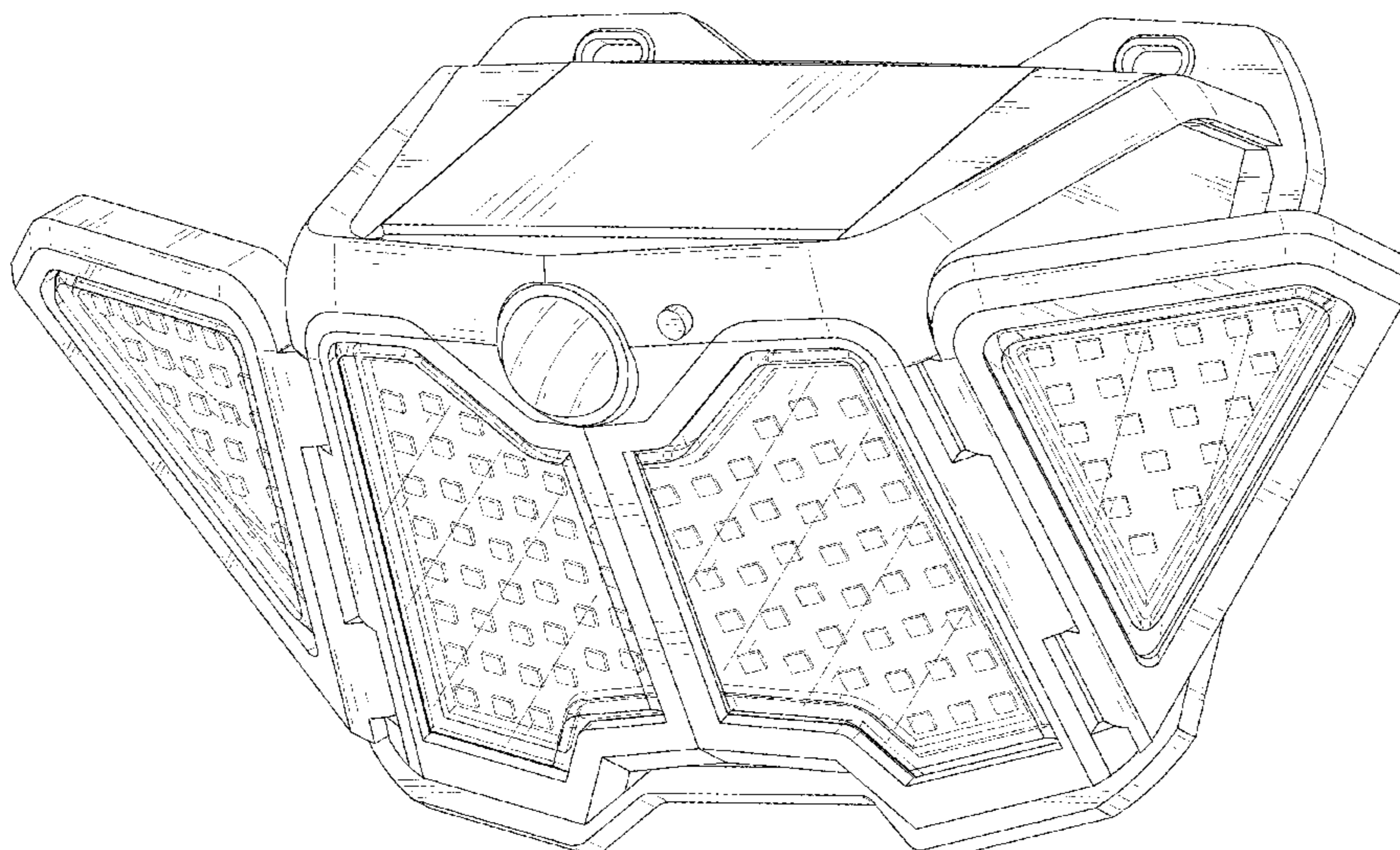
U.S. PATENT DOCUMENTS

D761,474 S *	7/2016	Chen	D26/65
D786,470 S *	5/2017	Largent	D26/72
D841,864 S	2/2019	Liu		
D861,226 S *	9/2019	Liu	F21K 9/232 D26/85
D866,043 S	11/2019	Hu		
D879,334 S *	3/2020	Lin	D26/2
D890,402 S *	7/2020	Liu	D26/72
D896,428 S *	9/2020	Pan	D26/85
D897,587 S *	9/2020	Liu	D26/85
D914,261 S *	3/2021	Ouyang	D26/65
D917,089 S *	4/2021	Rajasekaran	F21K 9/232 D26/63
D919,154 S *	5/2021	Zhou	D26/63
D923,854 S *	6/2021	Huang	D26/85
D925,084 S *	7/2021	Chen	D26/63
D938,626 S *	12/2021	Chen	D26/2

DESCRIPTION

FIG. 1 is a perspective view of a solar lamp showing my new design;
FIG. 2 is another perspective view thereof;
FIG. 3 is a front elevational view thereof;
FIG. 4 is a rear elevational view thereof;
FIG. 5 is a left side elevational view thereof;
FIG. 6 is a right side elevational view thereof;
FIG. 7 is a top plan view thereof;
FIG. 8 is a bottom plan view thereof; and,
FIG. 9 is a perspective view of the solar lamp where the solar lamp is in a configuration of use.

1 Claim, 9 Drawing Sheets



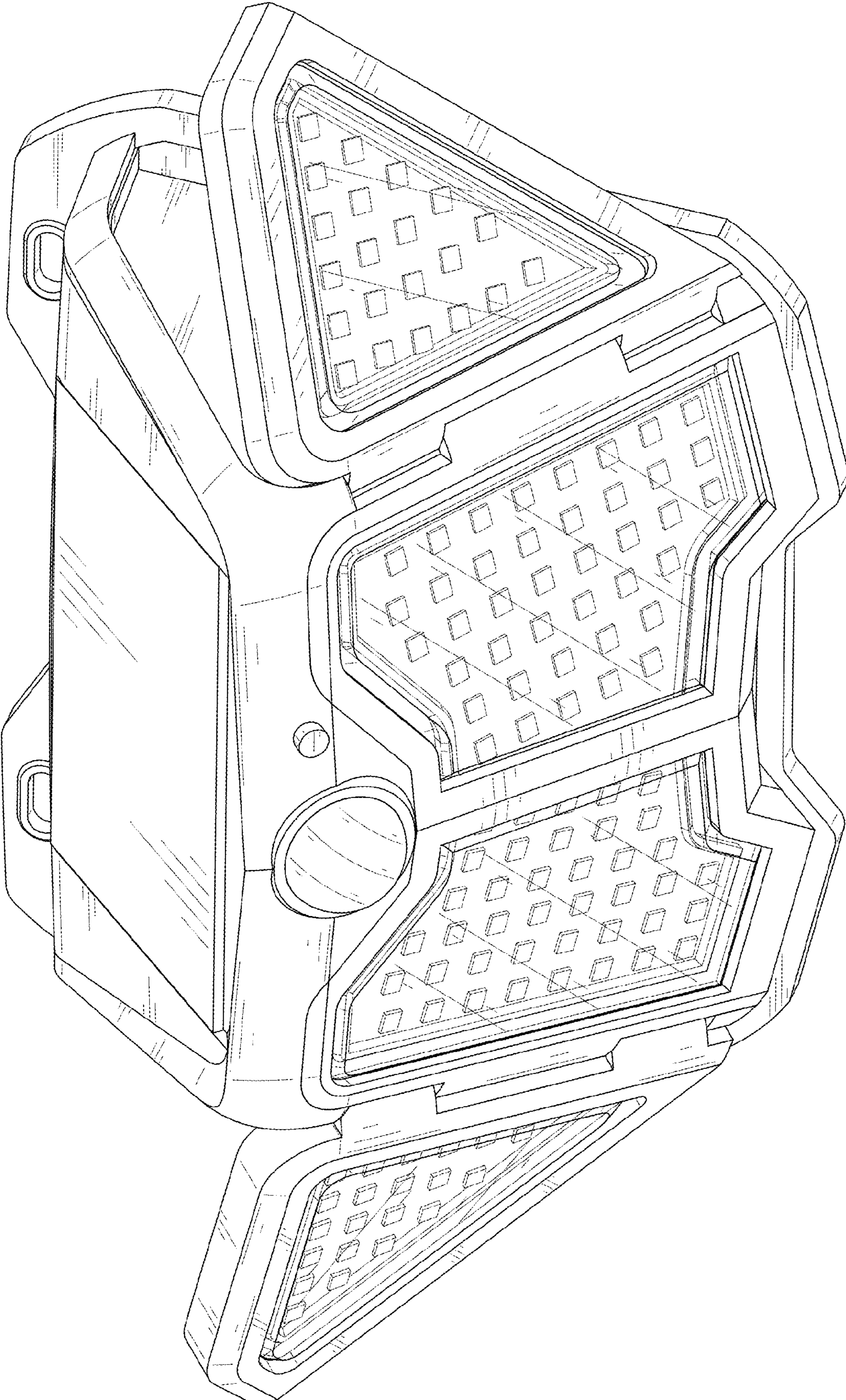


FIG. 1

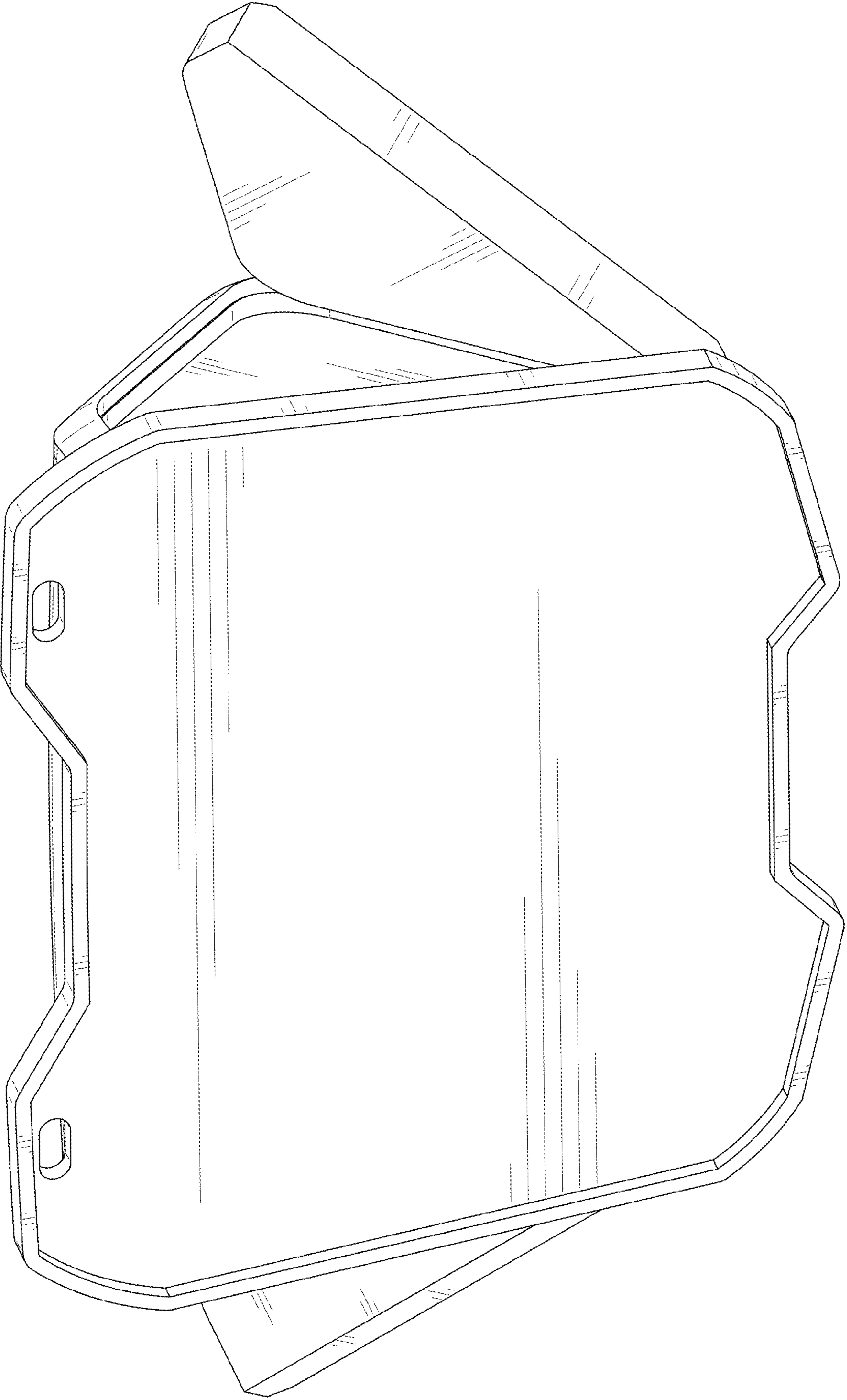


FIG. 2

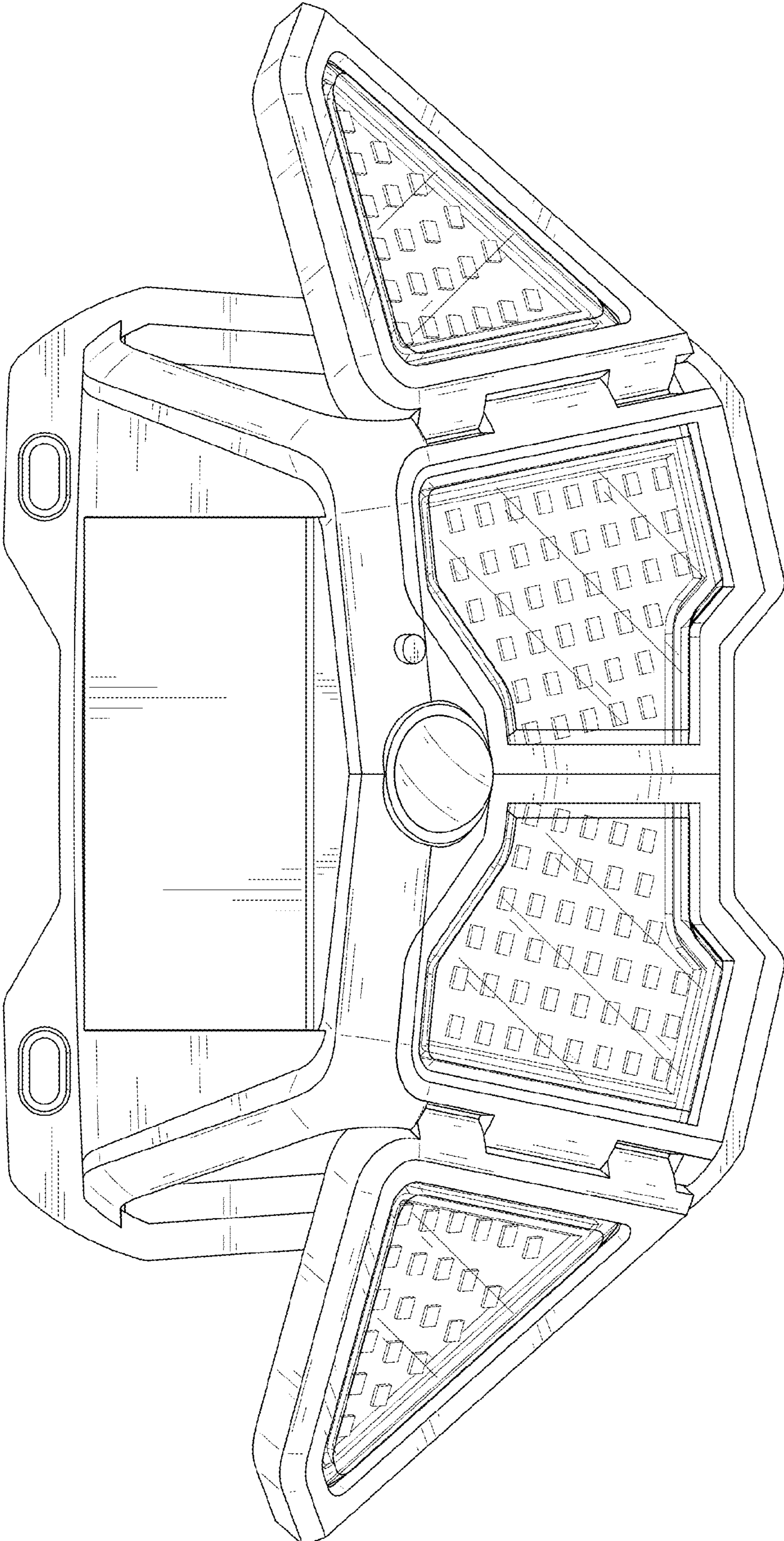


FIG. 3

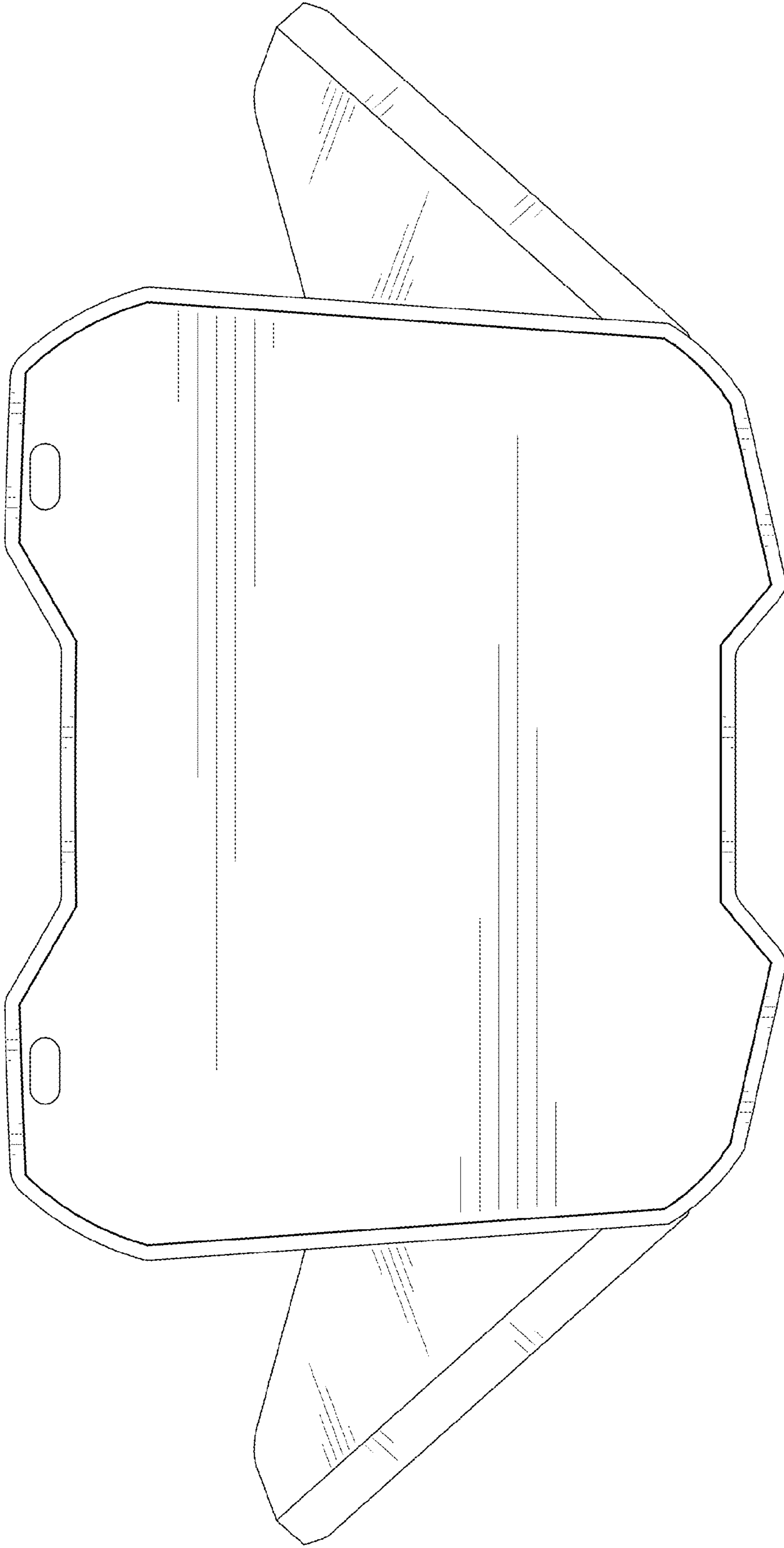


FIG. 4

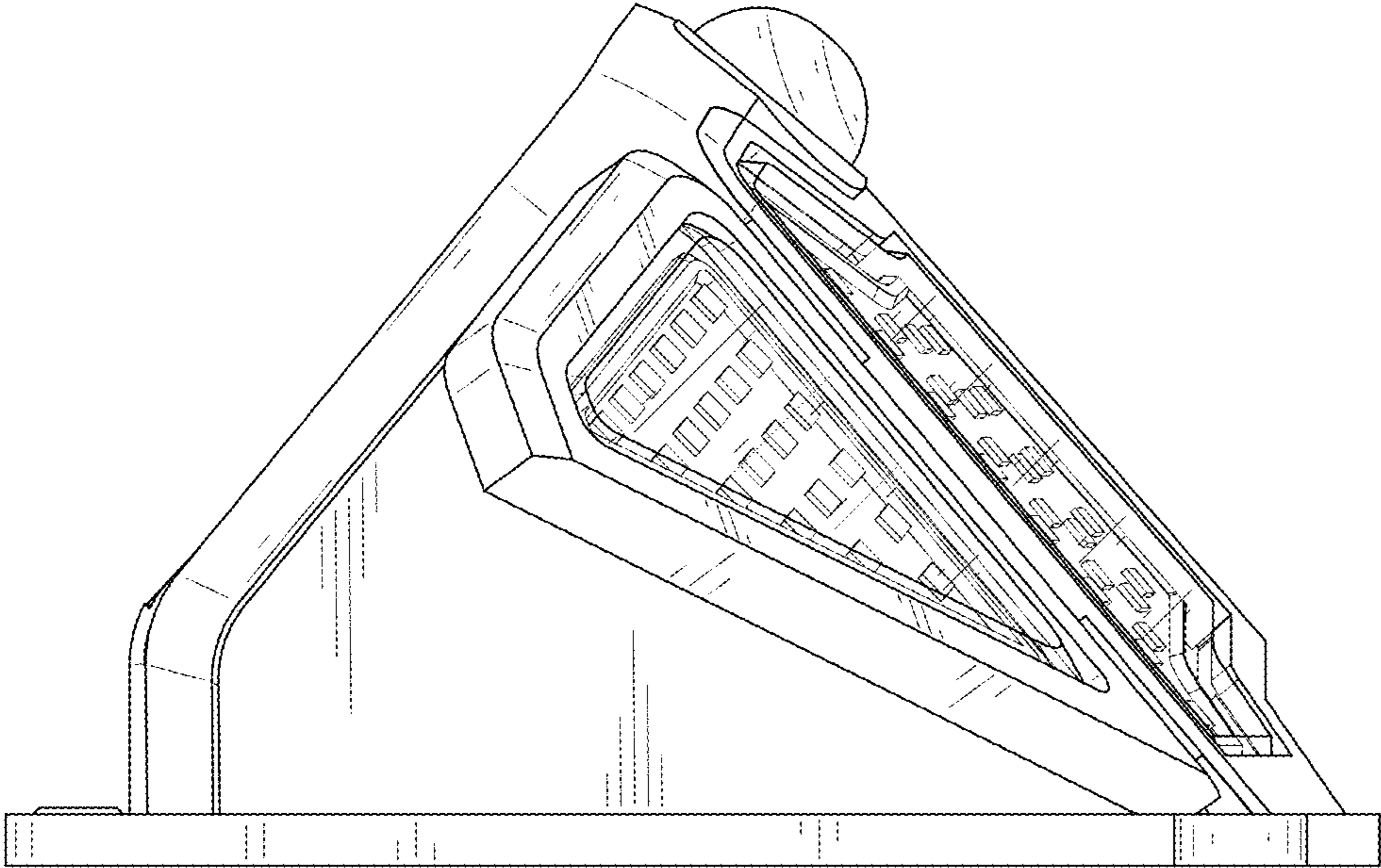


FIG. 5

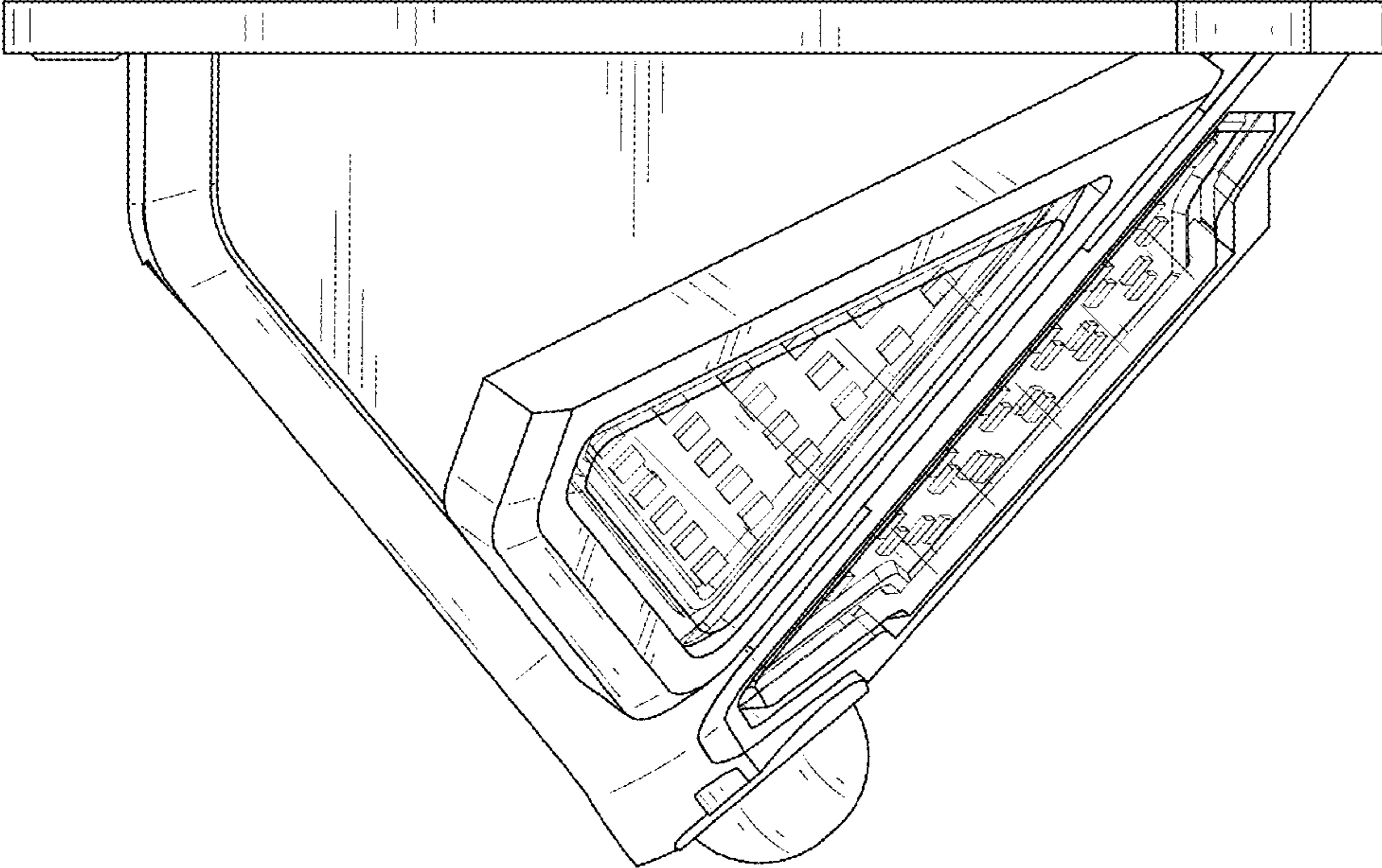


FIG. 6

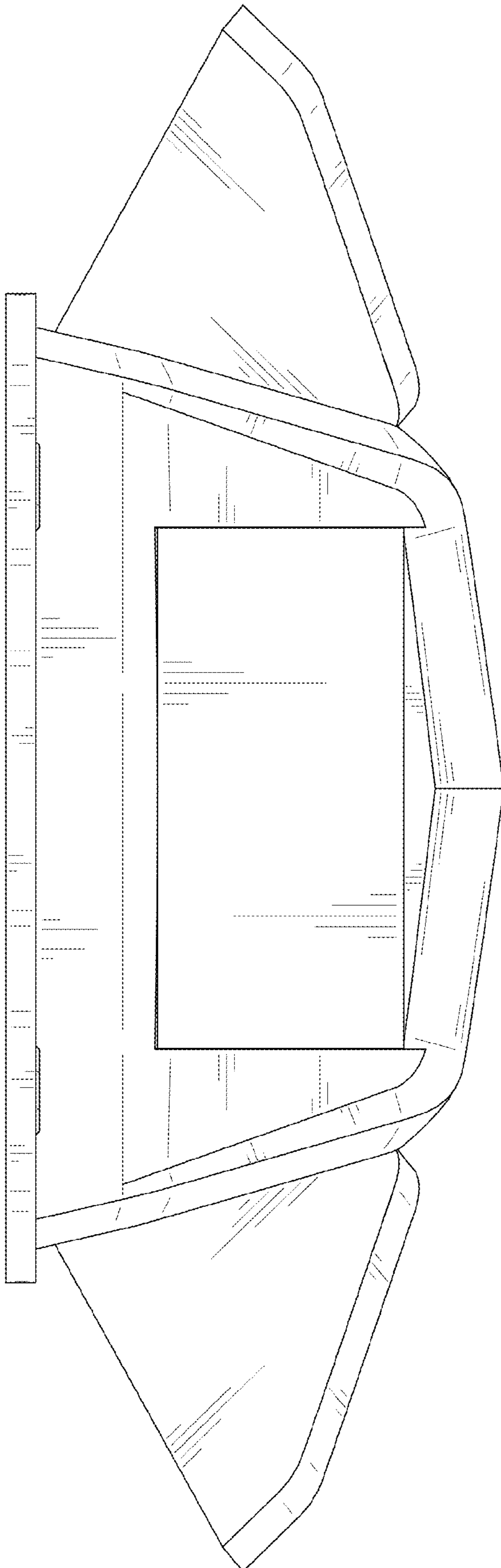


FIG. 7

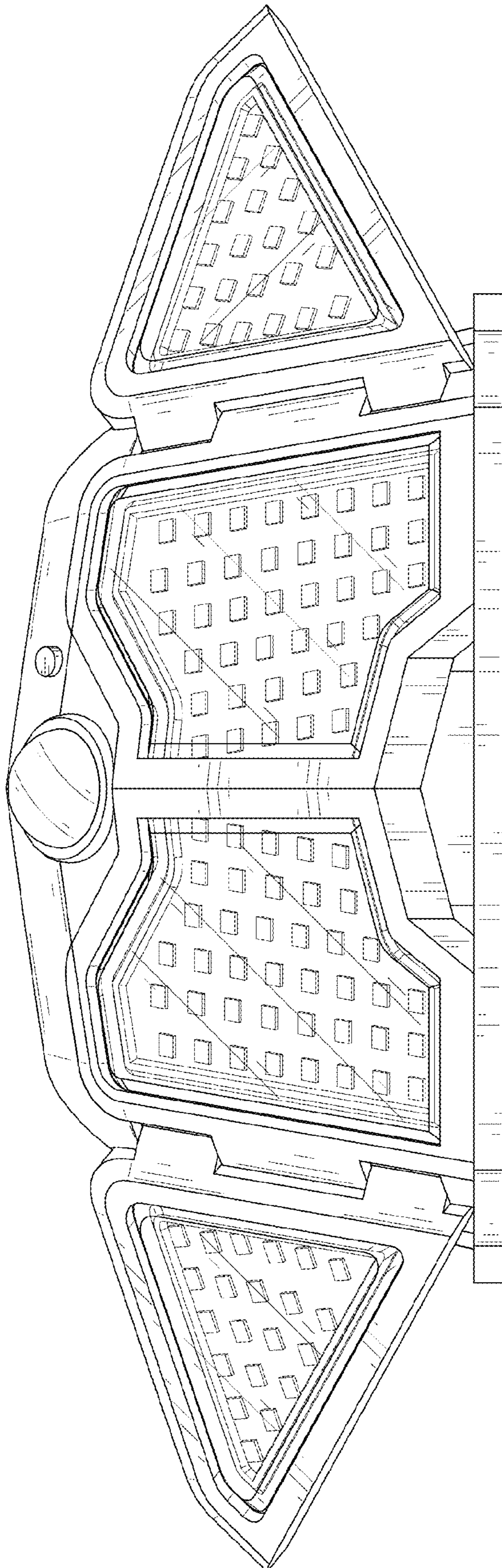


FIG. 8

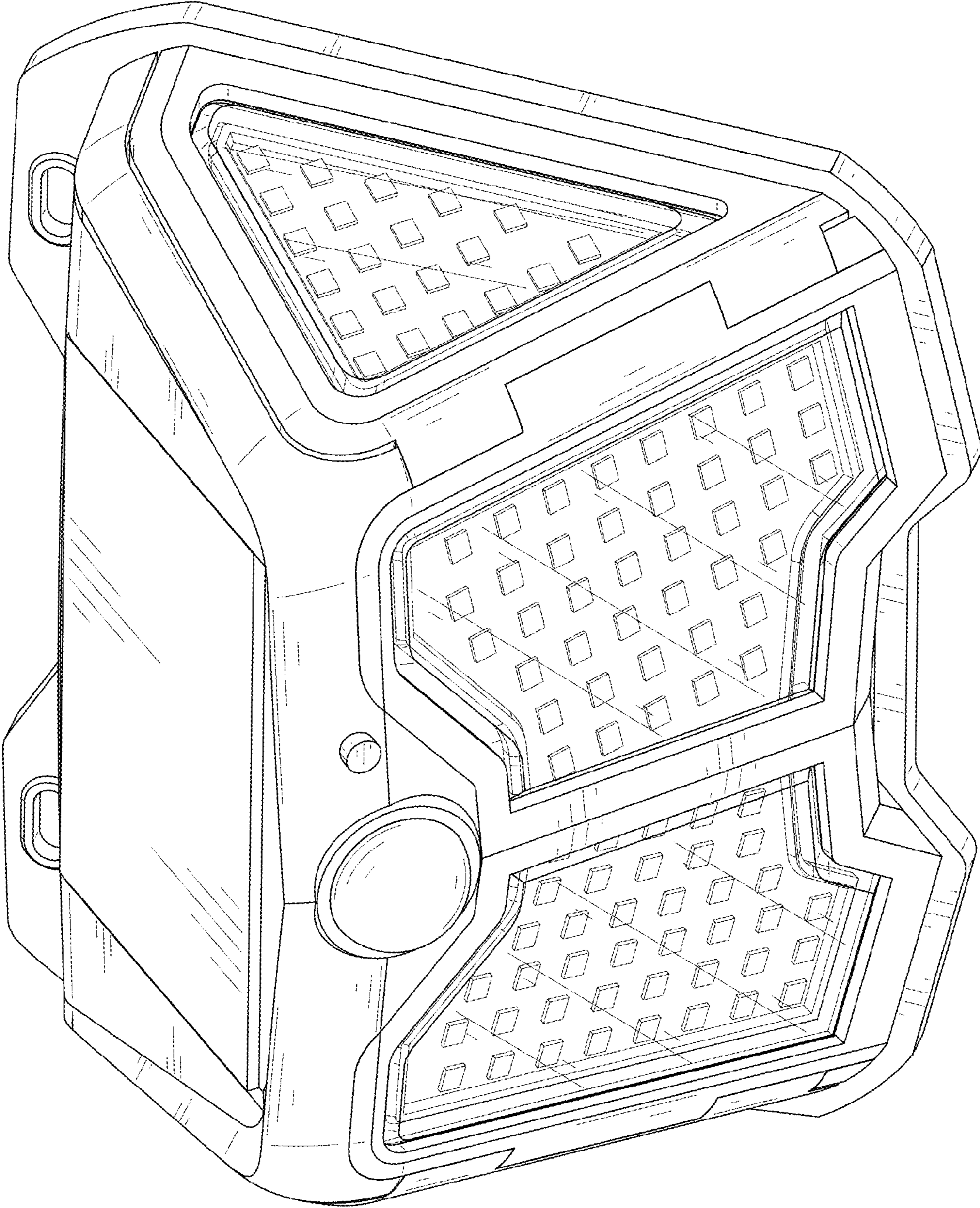


FIG. 9