



US00D944434S

(12) **United States Design Patent**
Li

(10) **Patent No.:** **US D944,434 S**

(45) **Date of Patent:** **** Feb. 22, 2022**

(54) **SOLAR LAWN SPOTLIGHT**

(71) Applicant: **Chujia Li, Jieyang (CN)**

(72) Inventor: **Chujia Li, Jieyang (CN)**

(**) Term: **15 Years**

(21) Appl. No.: **29/767,812**

(22) Filed: **Jan. 26, 2021**

(51) **LOC (13) Cl.** **26-05**

(52) **U.S. Cl.**
USPC **D26/63; D26/67**

(58) **Field of Classification Search**
USPC **D26/63, 67-70**
CPC .. **F21S 8/081; F21S 8/083; F21S 8/088; F21S 9/03; F21S 9/035; F21S 9/037; F21V 21/0824; F21V 21/26; F21W 2111/02; F21W 2111/023; F21W 2131/109**

See application file for complete search history.

(56) **References Cited**

U.S. PATENT DOCUMENTS

D604,880 S	11/2009	Lovegrove	
D670,838 S *	11/2012	Ueda	D26/28
D839,472 S *	1/2019	Hu	D26/118
D855,856 S	8/2019	Du et al.	
D875,289 S *	2/2020	Hu	D26/63
D885,632 S *	5/2020	Chen	D26/67
D887,056 S	6/2020	Moller et al.	
D887,059 S *	6/2020	Liu	D26/63
D903,921 S *	12/2020	Zhuo	D26/63
D905,312 S *	12/2020	Zhuo	D26/63
D921,261 S *	6/2021	Qiu	D26/67
D923,225 S *	6/2021	Hu	D26/63

D923,226 S *	6/2021	Hu	D26/63
D923,845 S *	6/2021	Kong	D26/63
D925,084 S *	7/2021	Chen	D26/63

OTHER PUBLICATIONS

Vont 16 LEDs Outdoor Solar Lights, ASIN: B08PQM8ML4 available from amazon.com Dec. 5, 2020. (Year: 2020).*
Lvyuan 16 LEDs Outdoor Solar Spotlights, ASIN: B08QFY5X5Z available from amazon.com Dec. 12, 2020. (Year: 2020).*
Innosinpo Solar Spot Lights, ASIN: B08GM62GGB available from amazon.com as early as Jun. 12, 2021. (Year: 2021).*
Devo Upgrade Outdoor Lights, ASIN: B093BLN2S6 available from amazon.com Apr. 23, 2021. (Year: 2021).*

* cited by examiner

Primary Examiner — Clare E Heflin

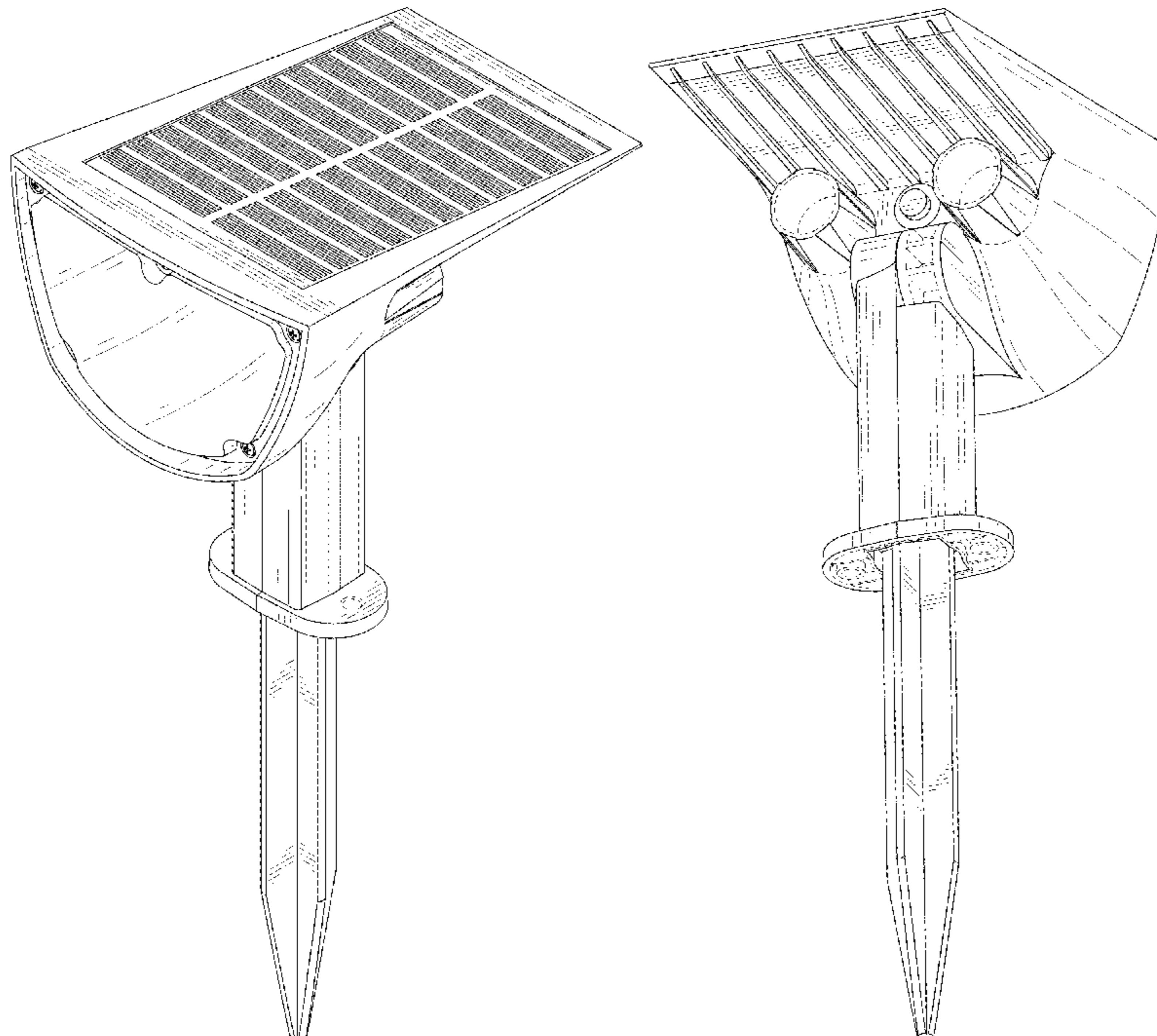
(57) **CLAIM**

The ornamental design for a solar lawn spotlight, as shown and described.

DESCRIPTION

FIG.1 is a first perspective view of a solar lawn spotlight showing my new design;
FIG. 2 is a second perspective view thereof;
FIG. 3 is a front view thereof;
FIG. 4 is a back view thereof;
FIG. 5 is a left side view thereof;
FIG. 6 is a right side view thereof;
FIG. 7 is a top view thereof; and,
FIG. 8 is a bottom view thereof.
The broken lines shown in the drawings depict portions of the solar lawn spotlight in which the design is embodied that form no part of the claimed design.

1 Claim, 8 Drawing Sheets



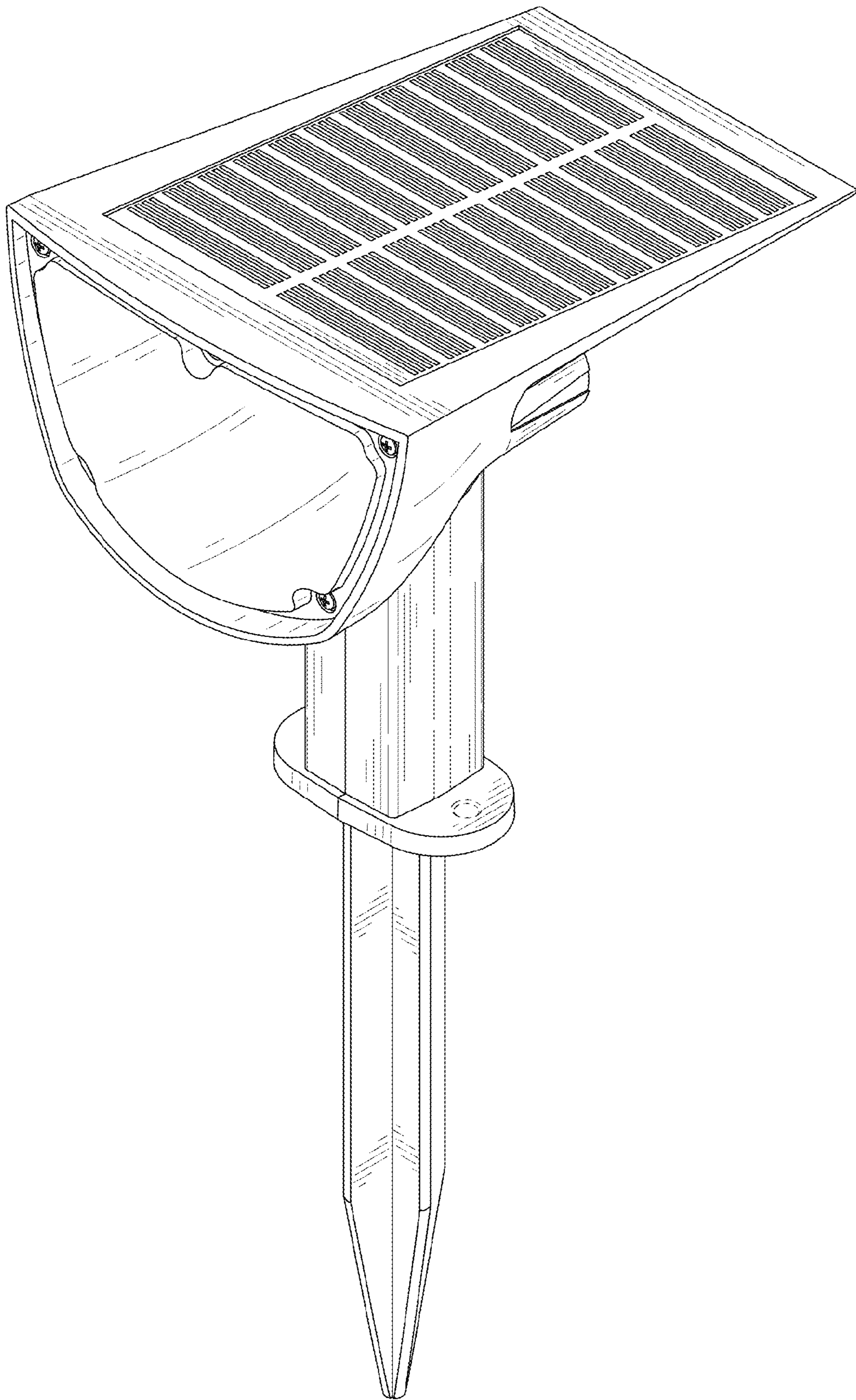


FIG. 1

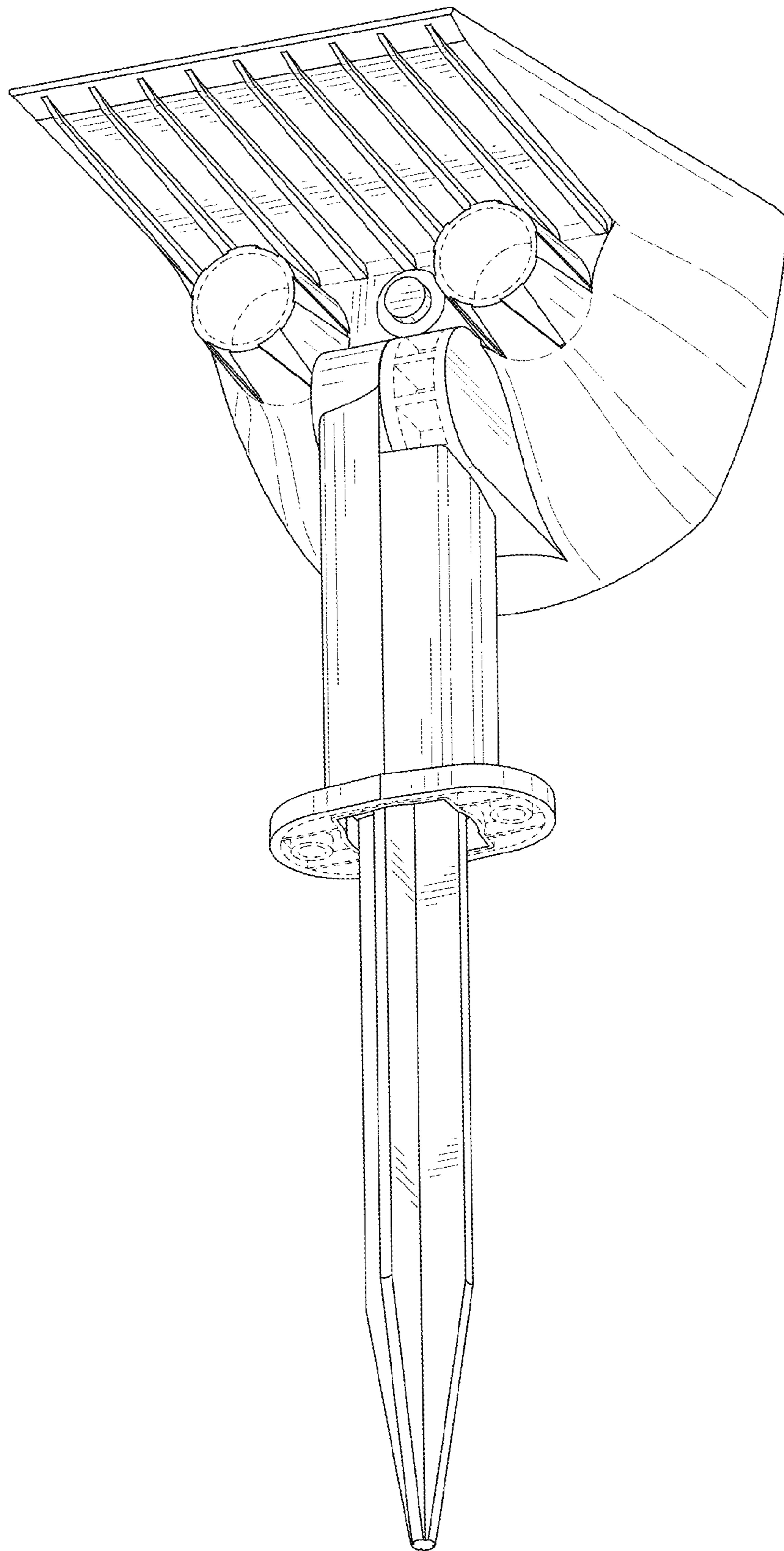


FIG. 2

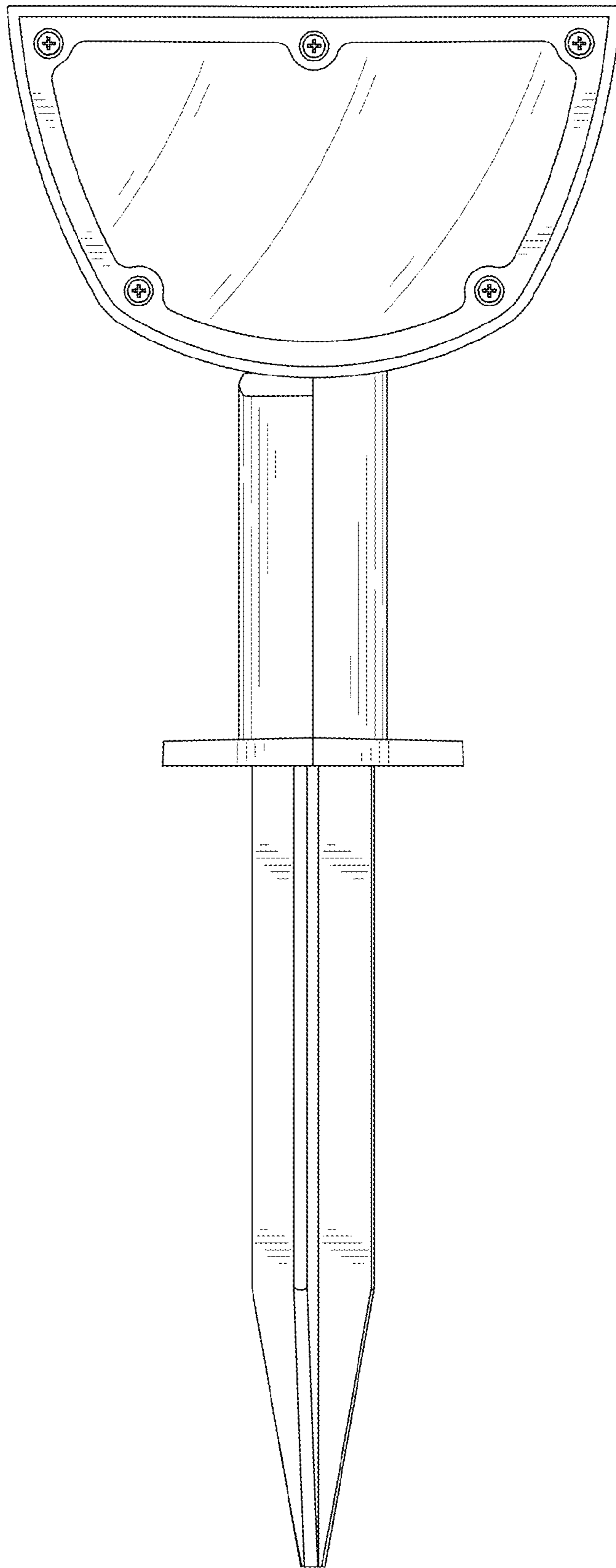


FIG. 3

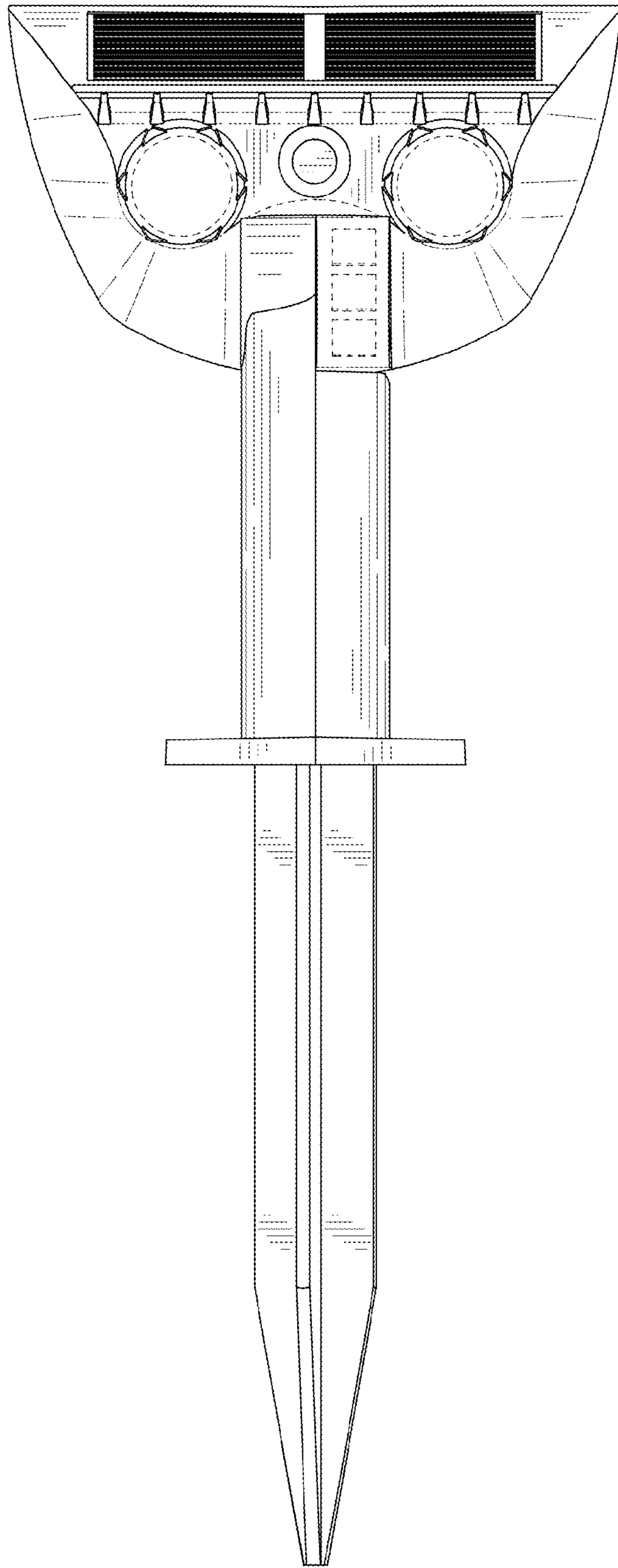


FIG. 4

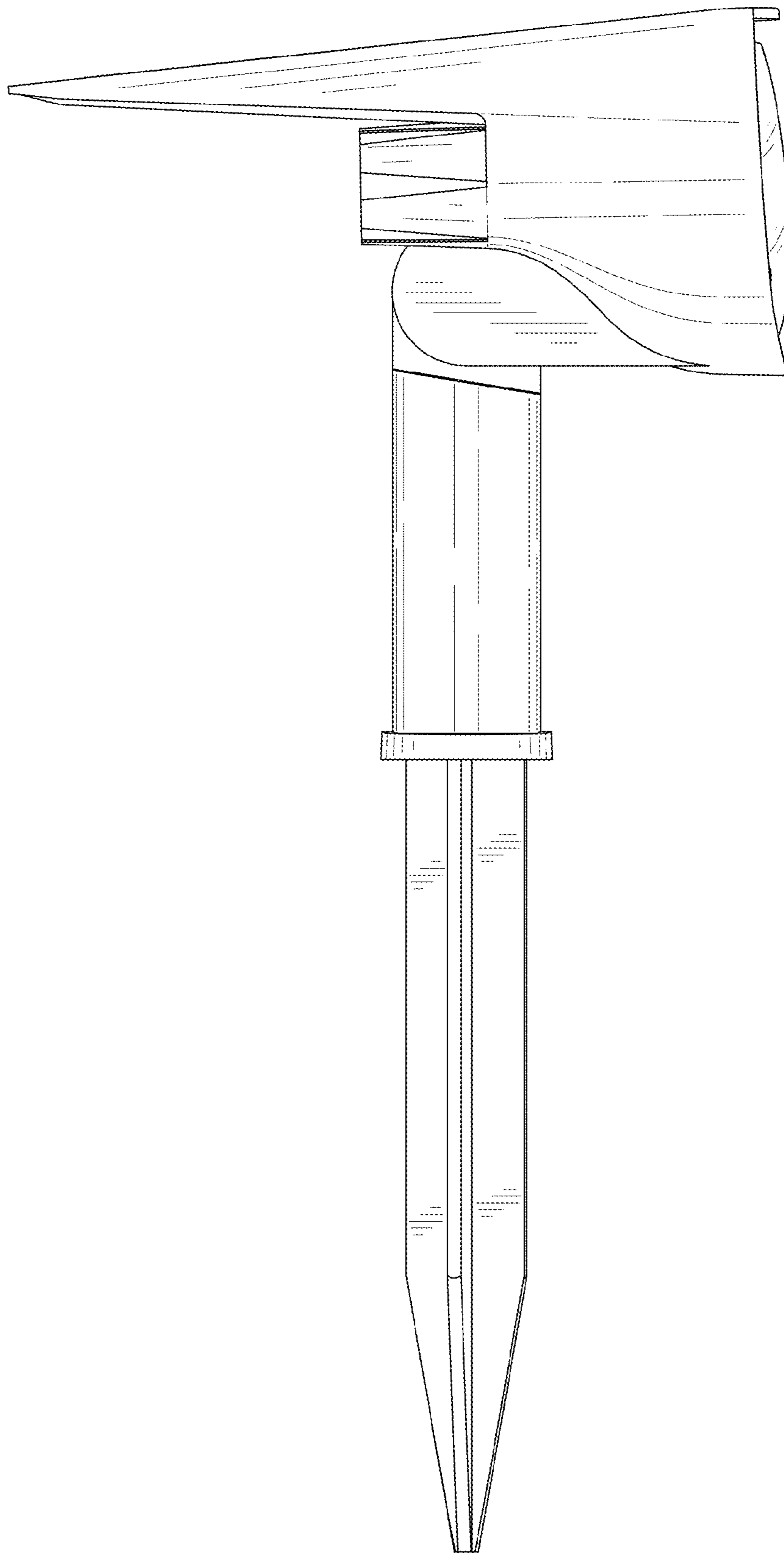


FIG. 5

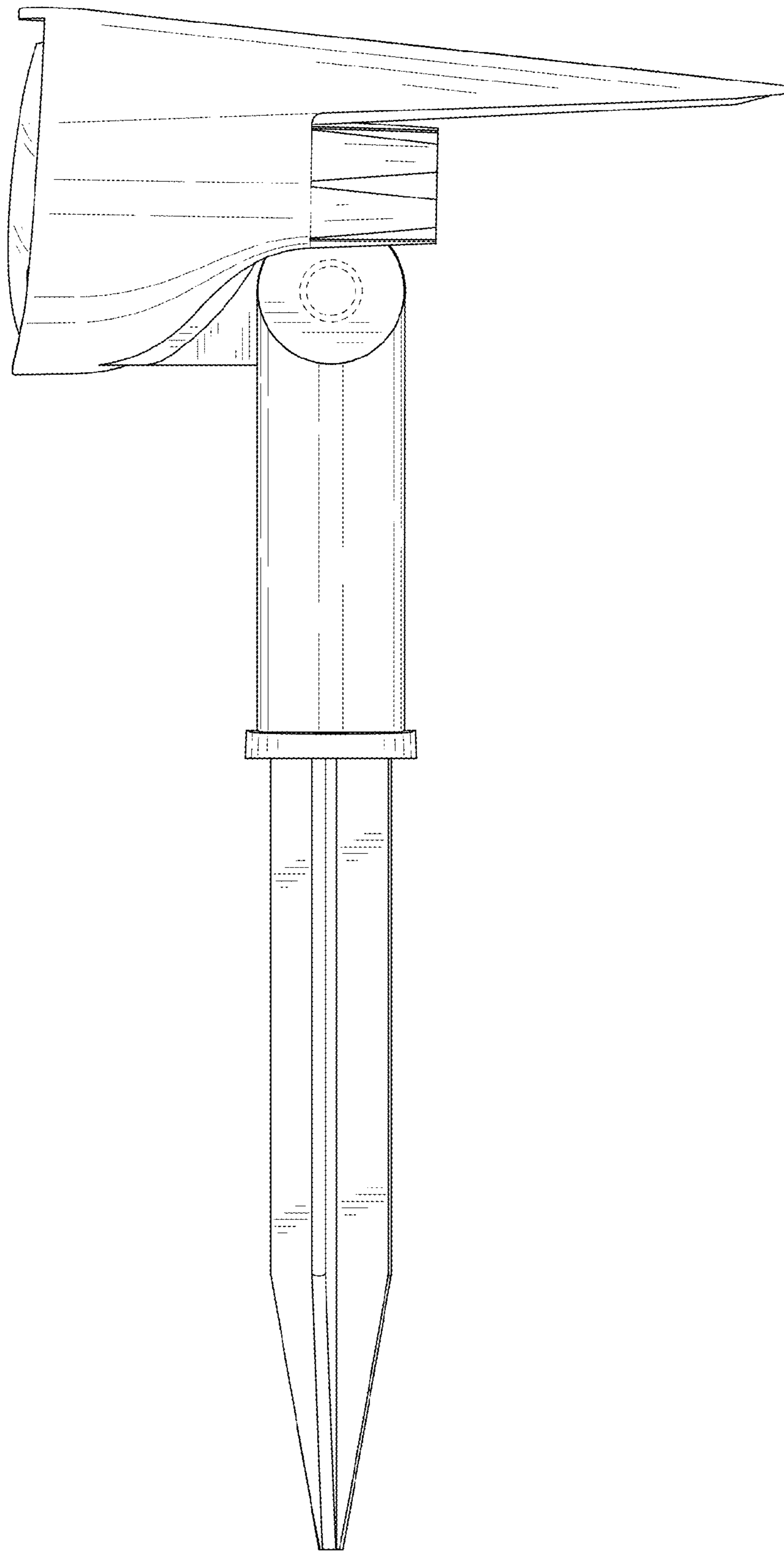


FIG. 6

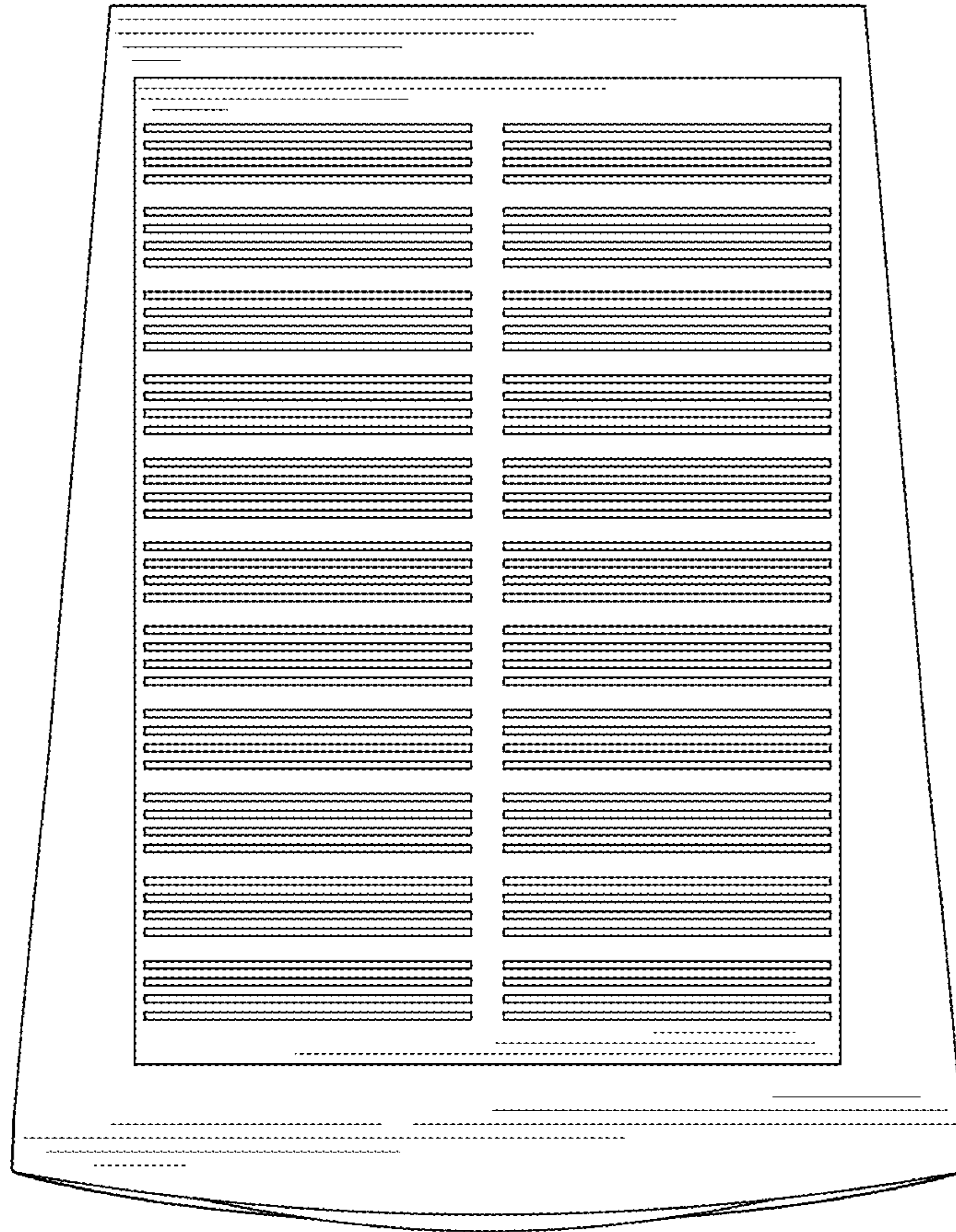


FIG. 7

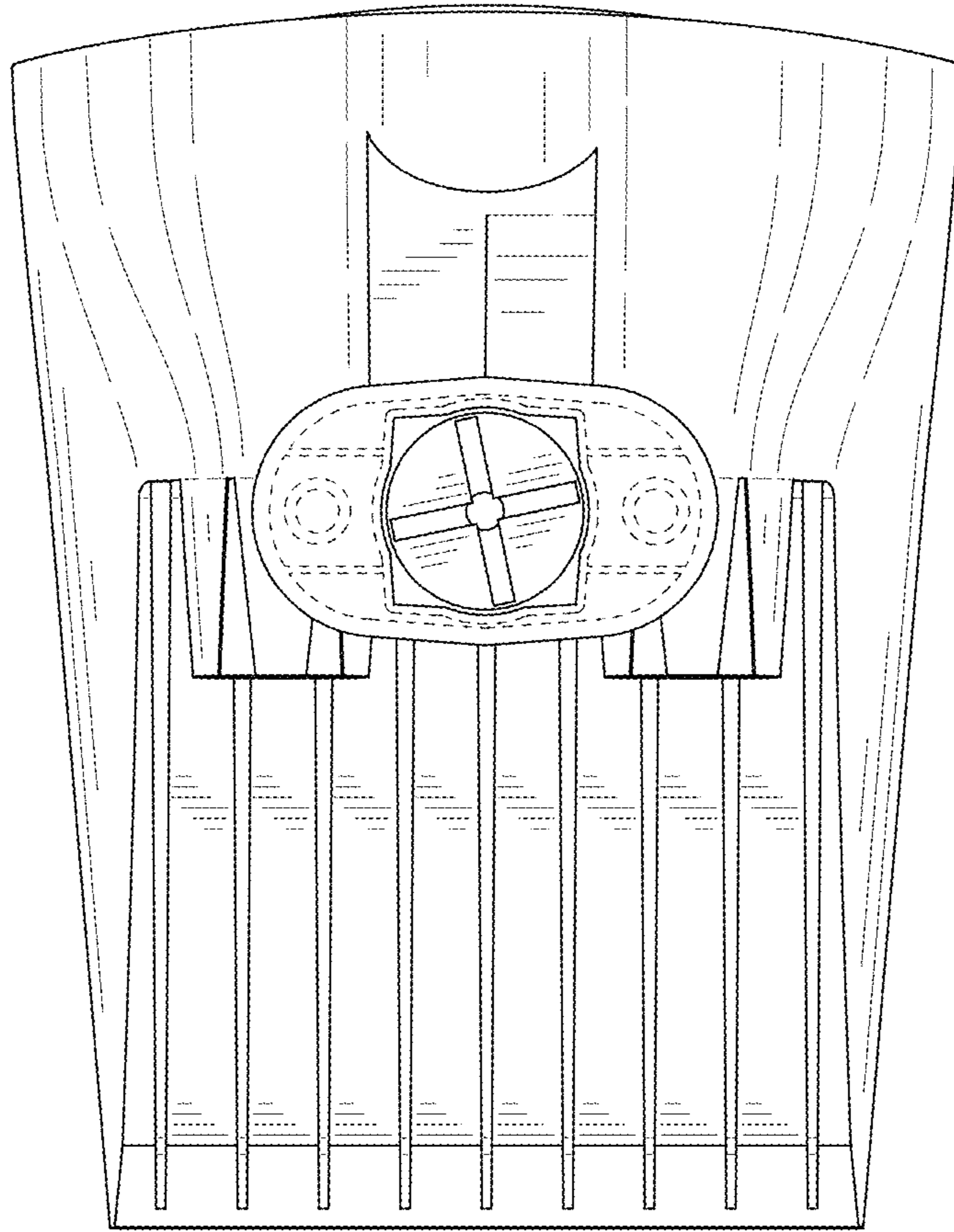


FIG. 8