



US00D944432S

(12) **United States Design Patent** (10) **Patent No.:** **US D944,432 S**
Li (45) **Date of Patent:** **** Feb. 22, 2022**

(54) **PROJECTION LAMP**

(71) Applicant: **SHENZHEN KUYUMA CREATIVE TECHNOLOGY CO., LTD.**, Shenzhen (CN)

(72) Inventor: **Xuequan Li**, Shenzhen (CN)

(73) Assignee: **SHENZHEN KUYUMA CREATIVE TECHNOLOGY CO., LTD.**, Shenzhen (CN)

(**) Term: **15 Years**

(21) Appl. No.: **29/756,201**

(22) Filed: **Oct. 27, 2020**

(30) **Foreign Application Priority Data**

May 21, 2020 (CN) 202030239822.1

(51) **LOC (13) Cl.** **26-05**

(52) **U.S. Cl.**
USPC **D26/63; D26/93; D26/106**

(58) **Field of Classification Search**

USPC D26/1, 24, 37, 51, 61-67, 72, 80, 85, 92,
D26/93, 102, 104-113, 118-120, 38, 40,
D26/46, 50; D16/239, 244

CPC F21K 5/023; F21S 4/00; F21S 6/00; F21S
6/002; F21S 6/004; F21S 6/005; F21S
6/006; F21S 8/00; F21S 8/003; F21S
8/03; F21S 8/033; F21S 8/036; F21S
8/04; F21S 8/043; F21S 9/00; F21S 9/02;
F21S 10/00; F21S 13/02; F21V 14/02;
F21V 15/01; F21V 15/02; F21V 17/02;
F21V 21/00; F21V 21/02; F21V 21/06;
F21V 21/14; F21V 21/26; F21V 21/30;
F21W 2121/00; F21W 2131/30

See application file for complete search history.

(56) **References Cited**

U.S. PATENT DOCUMENTS

D181,416 S * 11/1957 Hewitt D23/370
D469,556 S * 1/2003 Malard D13/101

D605,337 S * 12/2009 Zhang D26/93
D621,541 S * 8/2010 Hamel D26/63
D638,571 S * 5/2011 Chilton D26/93
D646,004 S * 9/2011 VanderSchuit D26/24
D646,005 S * 9/2011 VanderSchuit D26/24
D687,590 S * 8/2013 Chilton D26/93

(Continued)

OTHER PUBLICATIONS

Homestar Home Planetarium, May 9, 2018, YouTube, site visited Aug. 30, 2021, url: <https://www.youtube.com/watch?v=7ACT39YakmY> (Year: 2018).*

(Continued)

Primary Examiner — T Chase Nelson
Assistant Examiner — Rachel Wolfe

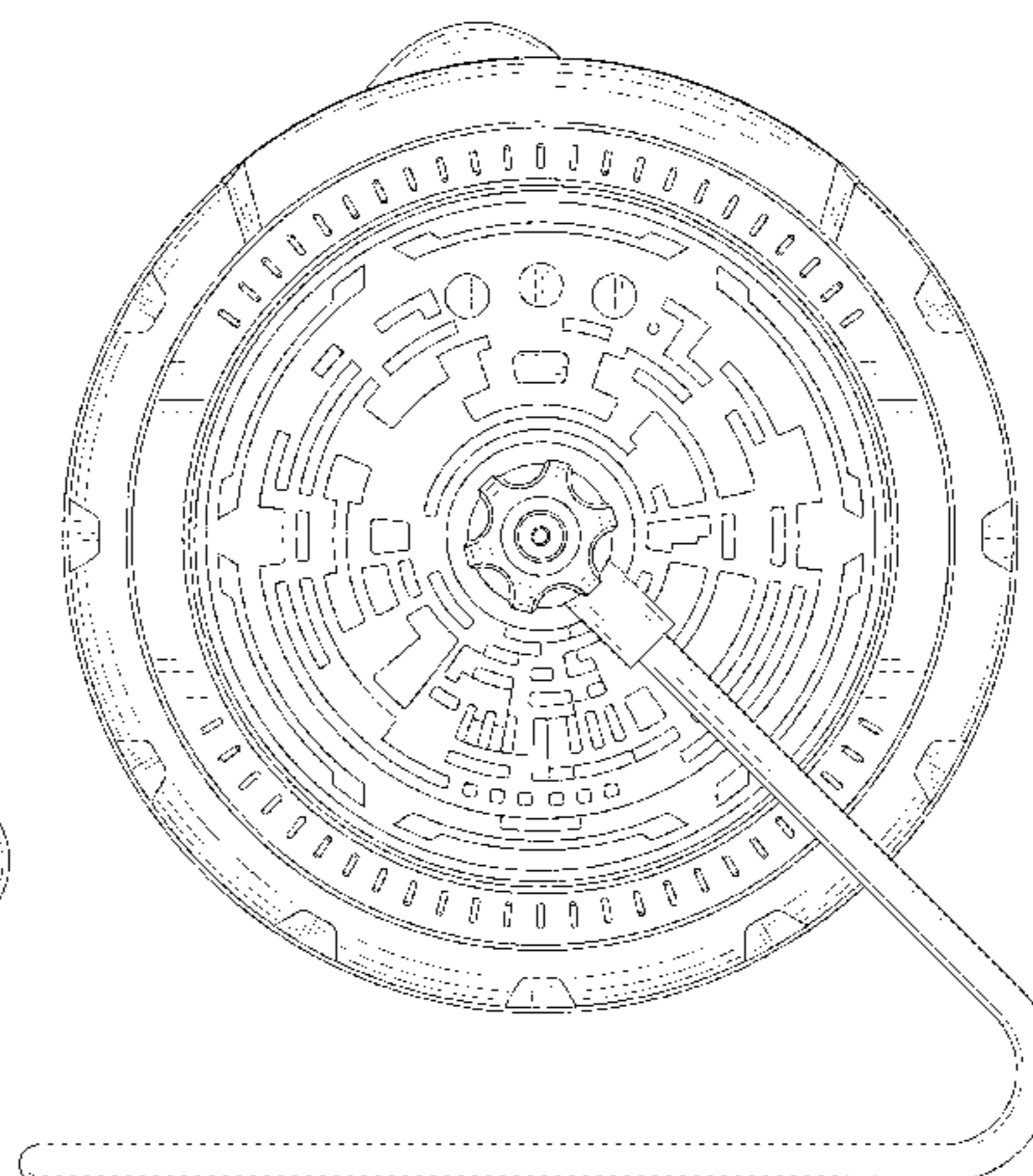
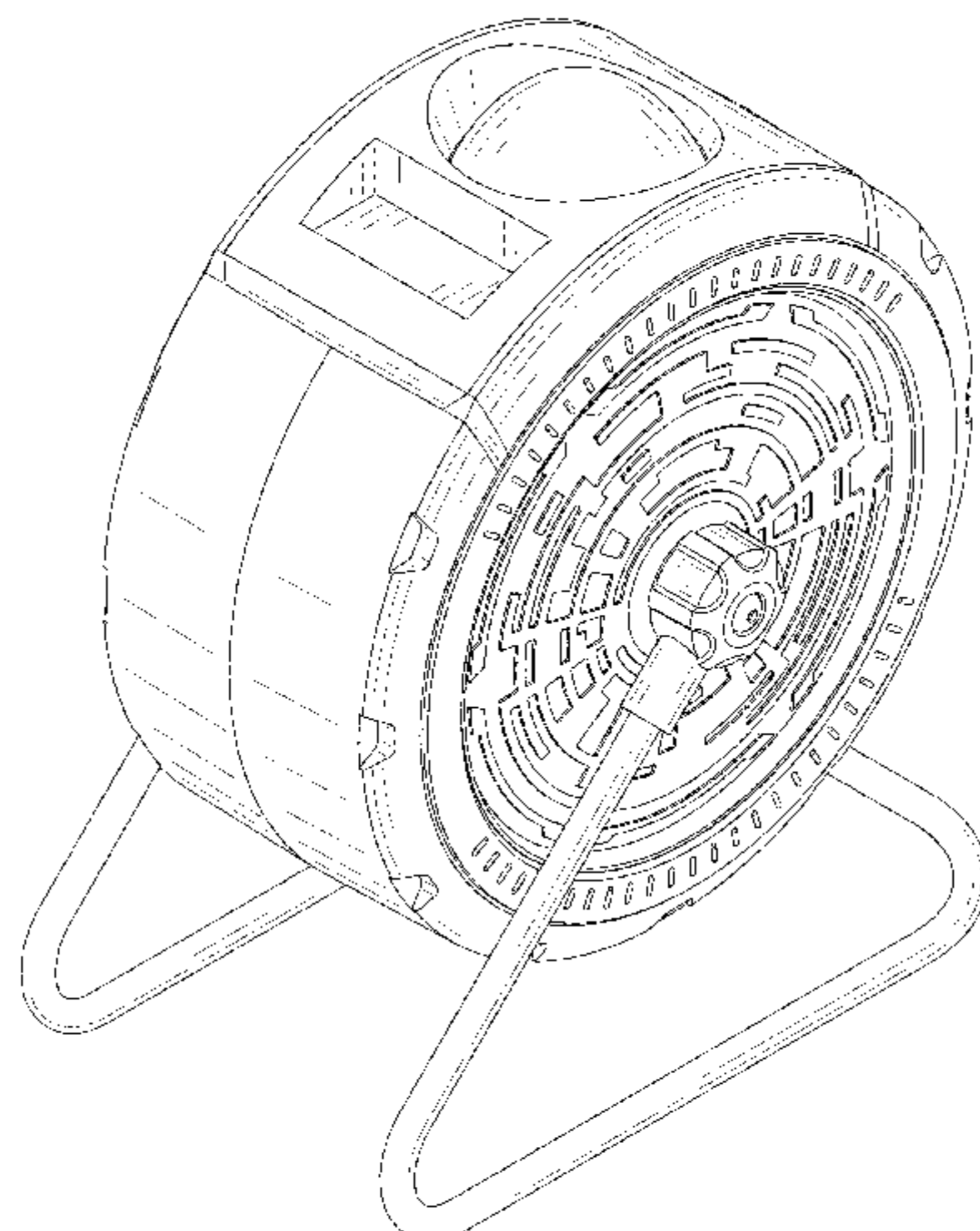
(57) **CLAIM**

The ornamental design for a projection lamp, as shown and described.

DESCRIPTION

FIG. 1 is a perspective view of a projection lamp showing my new design;
FIG. 2 is another perspective view thereof;
FIG. 3 is a front elevational view thereof;
FIG. 4 is a rear elevational view thereof;
FIG. 5 is a left side elevational view thereof;
FIG. 6 is a right side elevational view thereof;
FIG. 7 is a top plan view thereof;
FIG. 8 is a bottom plan view thereof; and,
FIG. 9 is an enlarged view of portion 9 shown in FIG. 1.
The broken lines in the drawings depict portions of the projection lamp that form no part of the claimed design. The uneven length broken lines in FIGS. 1 and 9 define the boundaries of the enlarged fragment shown in FIG. 9, and also form no part of the claimed design.

1 Claim, 9 Drawing Sheets



(56)

References Cited

U.S. PATENT DOCUMENTS

D821,633 S * 6/2018 Yang D26/106
D846,784 S 4/2019 Luo
D872,346 S * 1/2020 Yang D26/105
D891,683 S 7/2020 Wei
D909,659 S * 2/2021 Lin D26/93
D913,571 S * 3/2021 Yang D26/105
D914,952 S * 3/2021 Liu D26/106
D915,661 S * 4/2021 Zhu D26/106
D918,464 S * 5/2021 Luo D26/106
D920,565 S * 5/2021 Liu D26/106
D922,664 S * 6/2021 Li D26/106
D922,665 S * 6/2021 Feng D26/110
D927,045 S * 8/2021 Li D26/110
D927,751 S * 8/2021 Zheng D26/51
D927,765 S * 8/2021 Li D26/106
D927,767 S * 8/2021 Zheng D26/110
2008/0030998 A1 * 2/2008 Tsai F16M 11/10
362/382

OTHER PUBLICATIONS

BlissLights SKYlite, Jan. 2, 2019, YouTube, site visited Aug. 30, 2021, url: <https://www.youtube.com/watch?v=uD9K0XHqQ8g> (Year: 2019).*

HOTEKME Star Projector, Sep. 28, 2020, Amazon, site visited Aug. 30, 2021, url: <https://www.amazon.com/dp/B08FT8GF4K> (Year: 2020).*

* cited by examiner

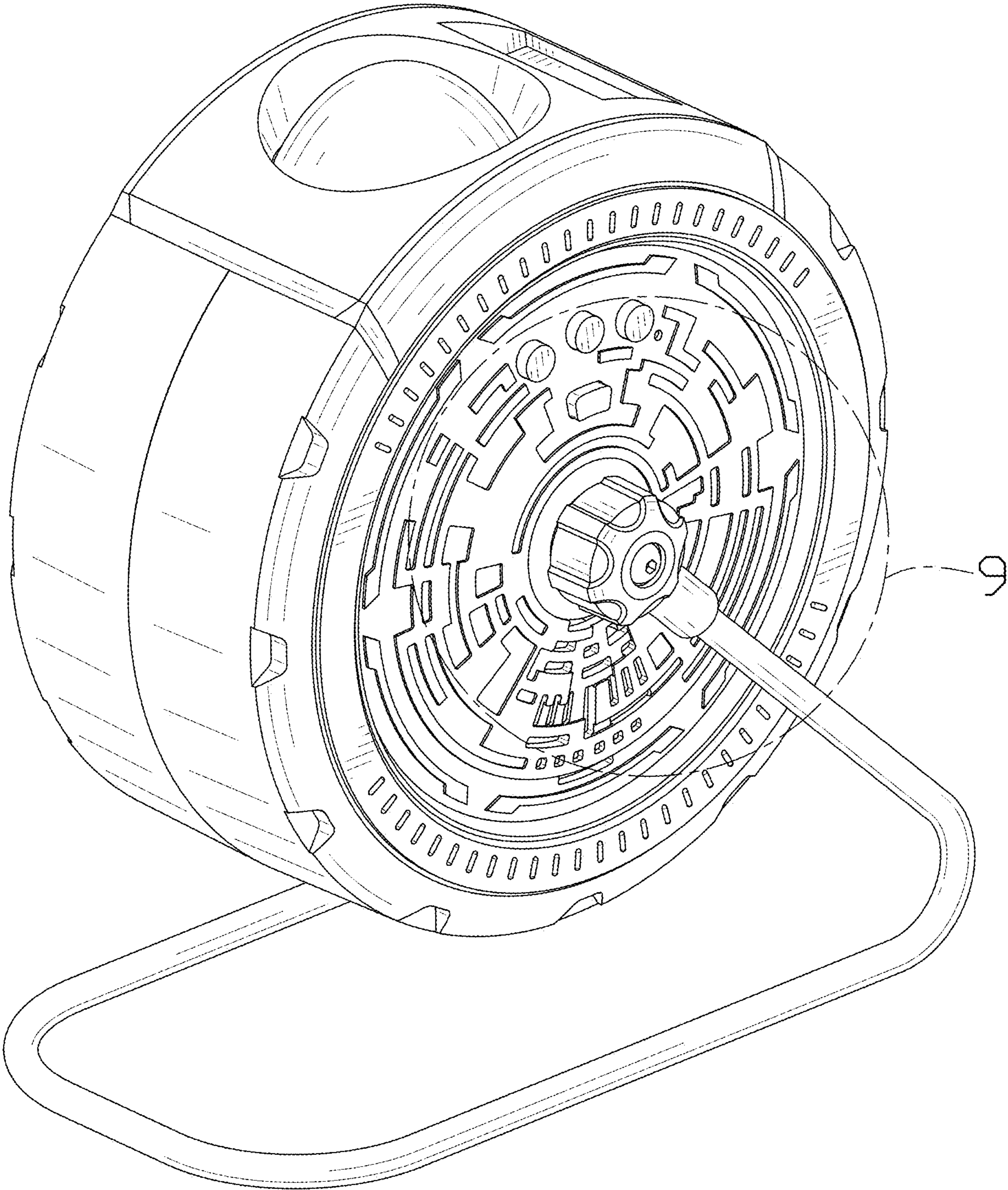


FIG. 1

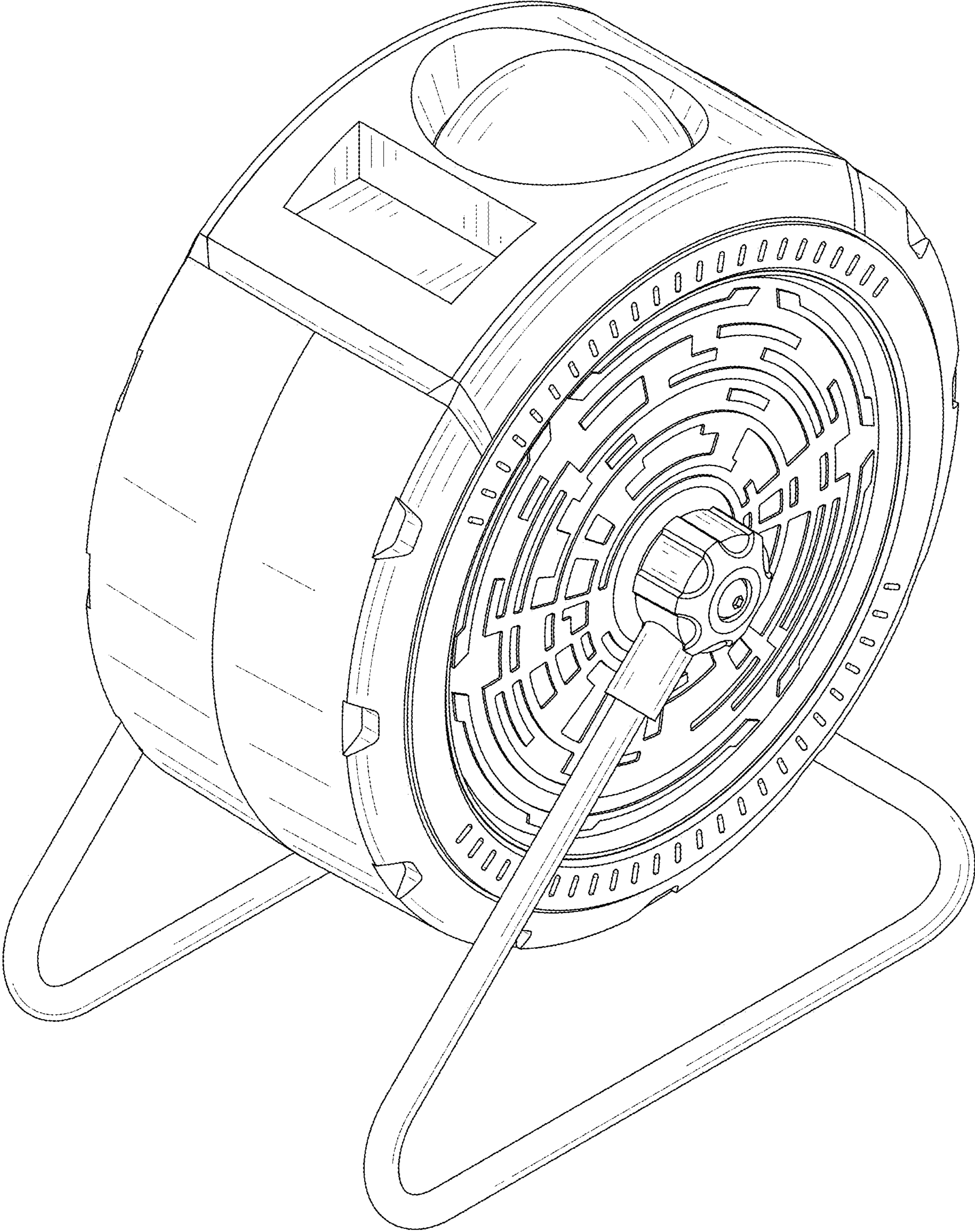


FIG. 2

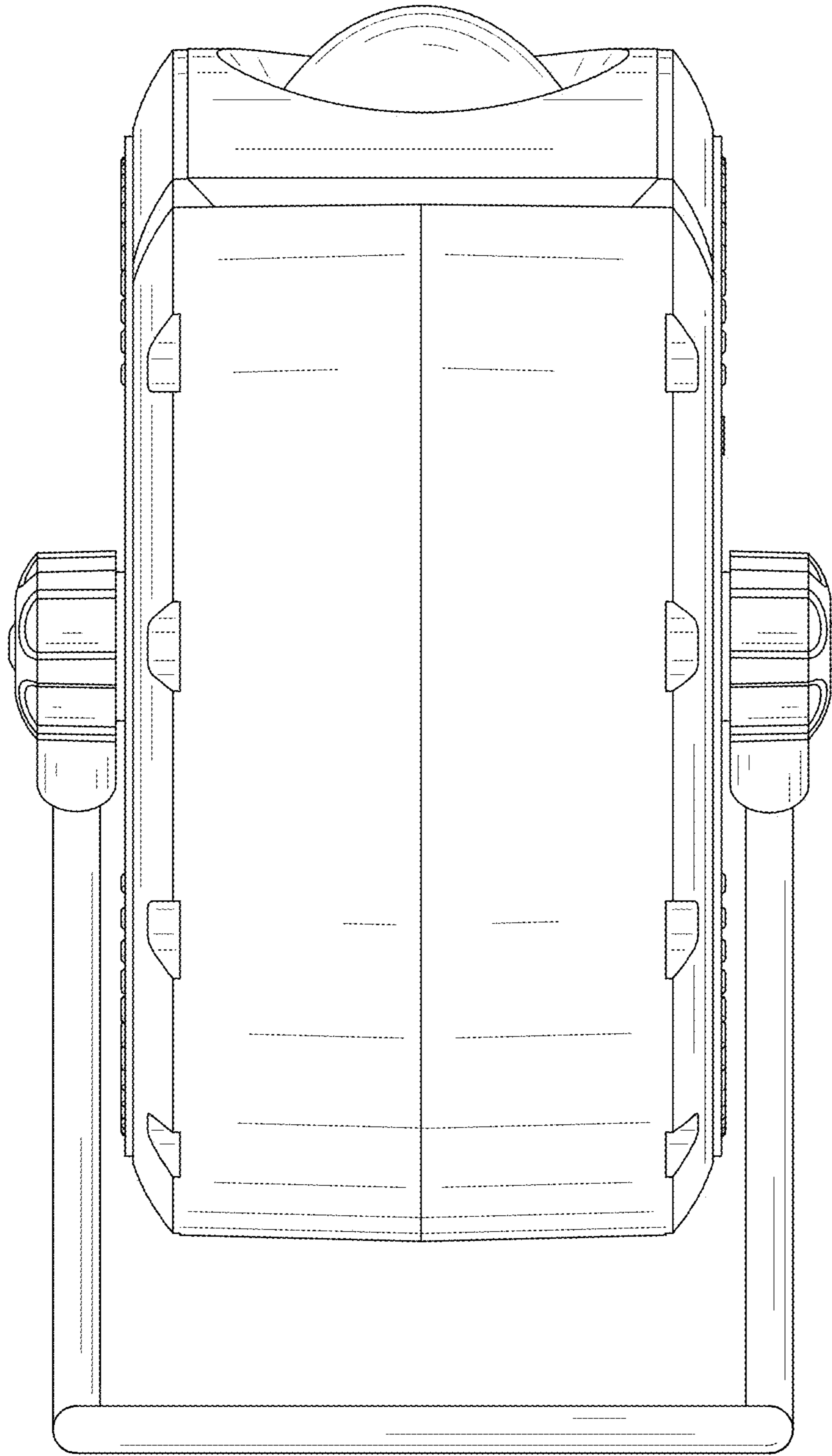


FIG. 3

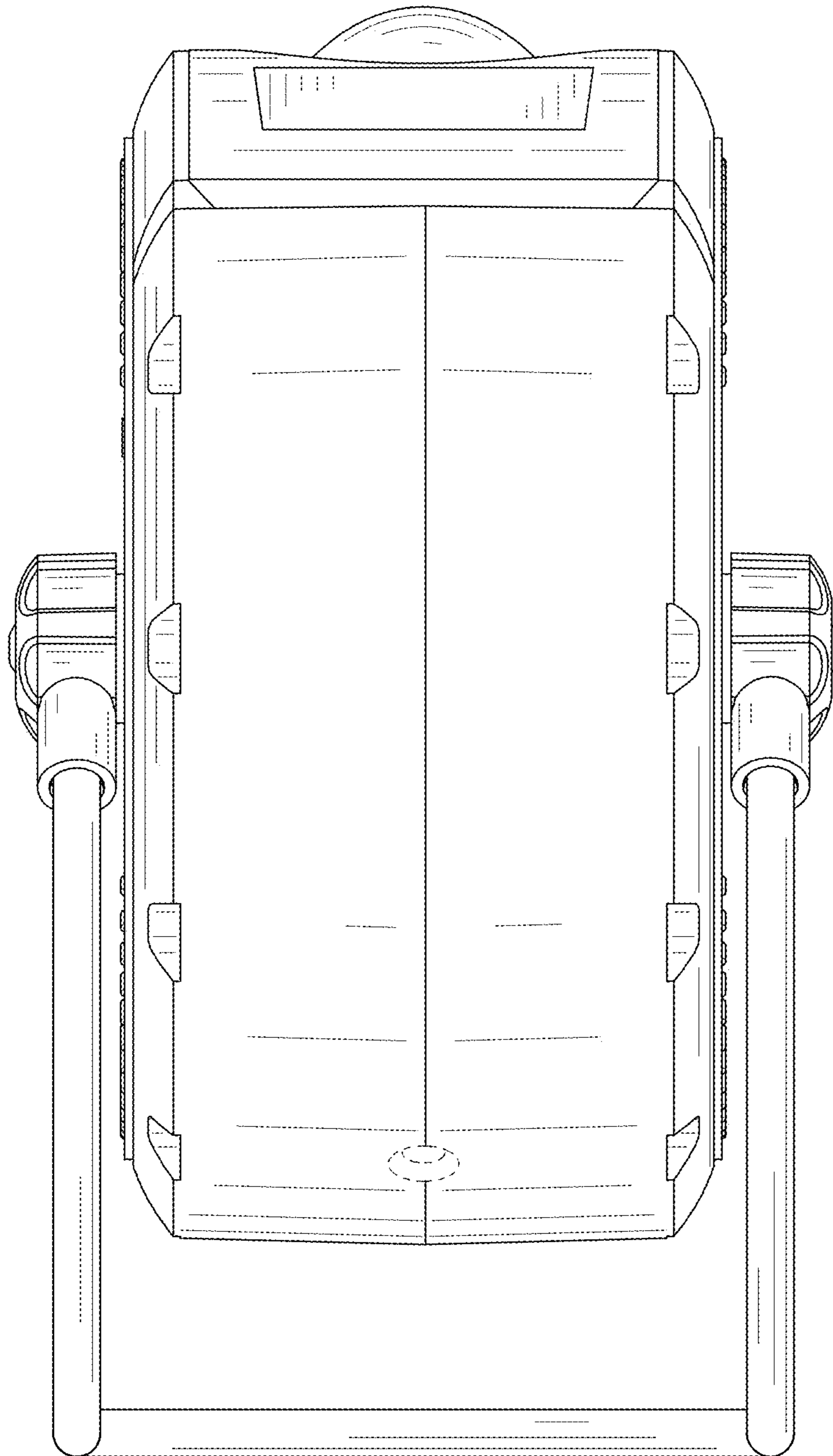


FIG. 4

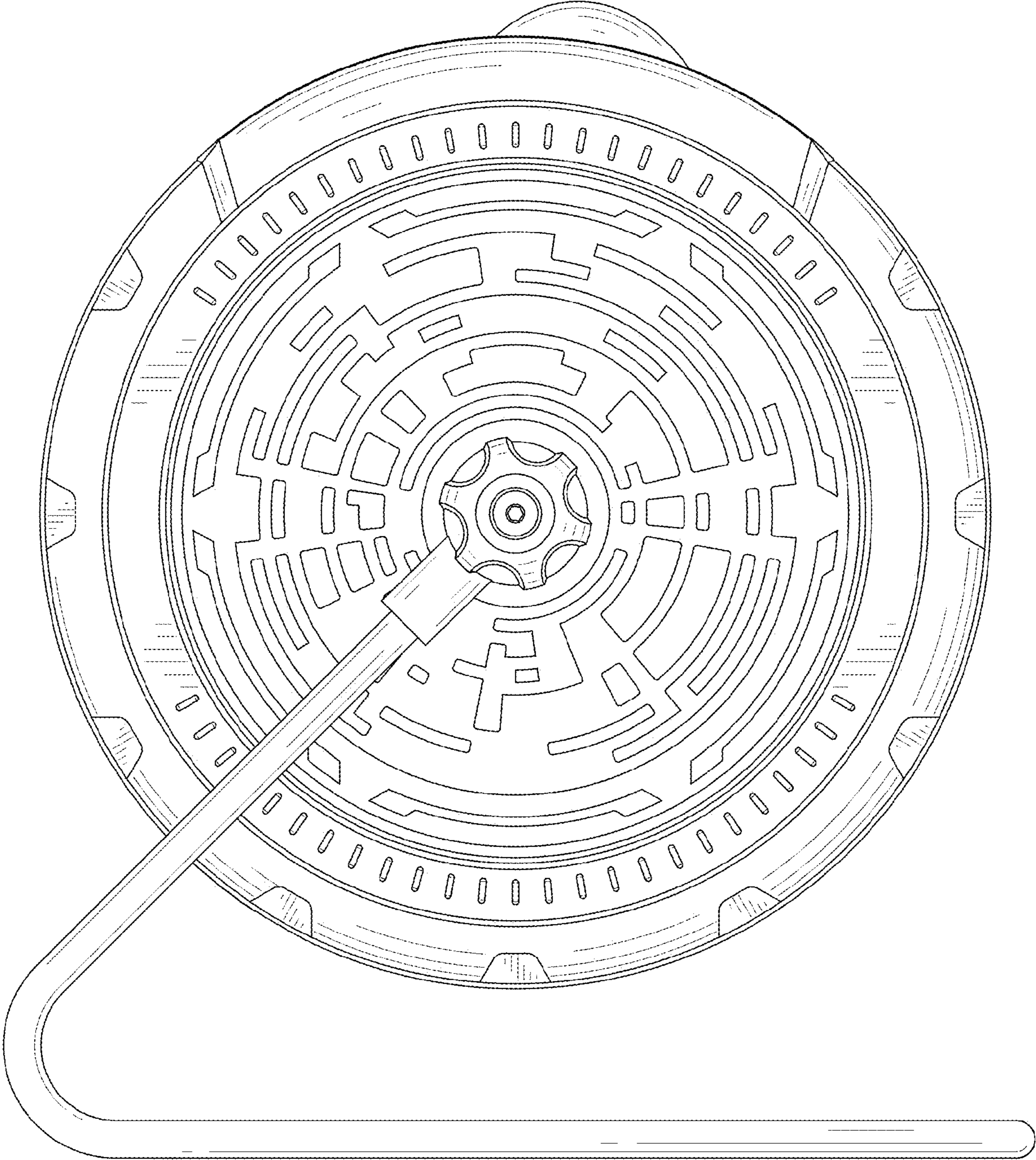


FIG. 5

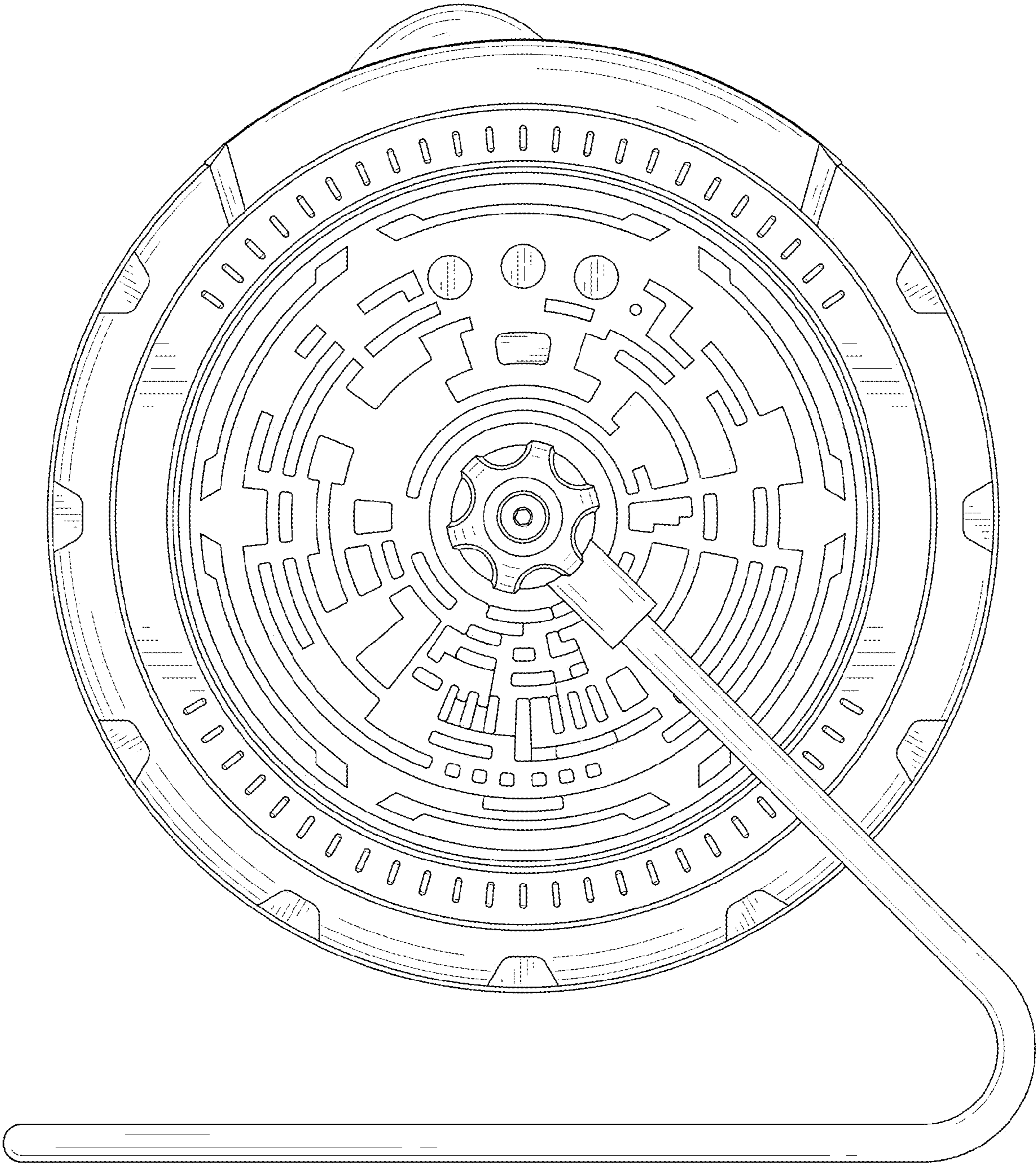


FIG. 6

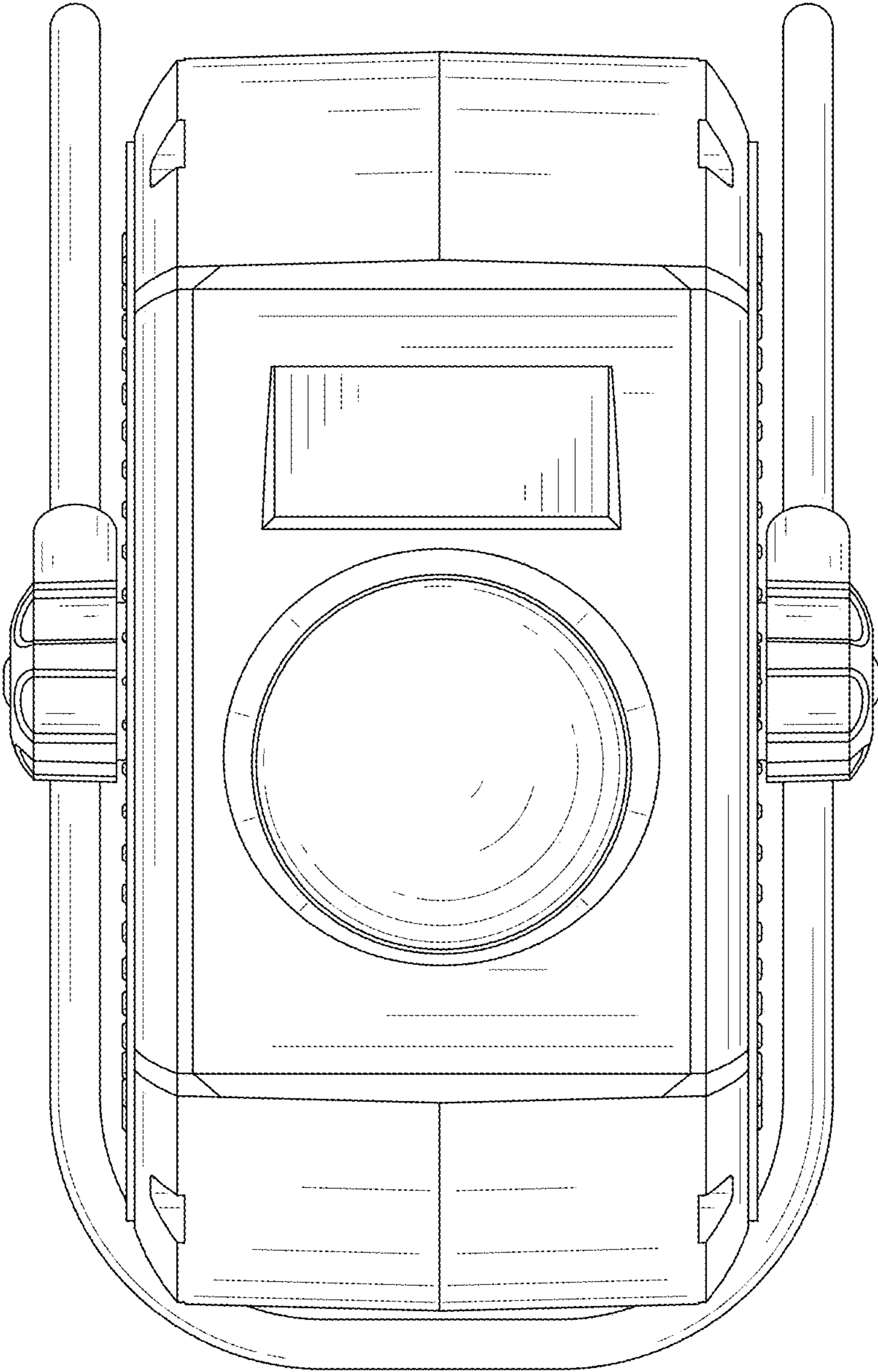


FIG. 7

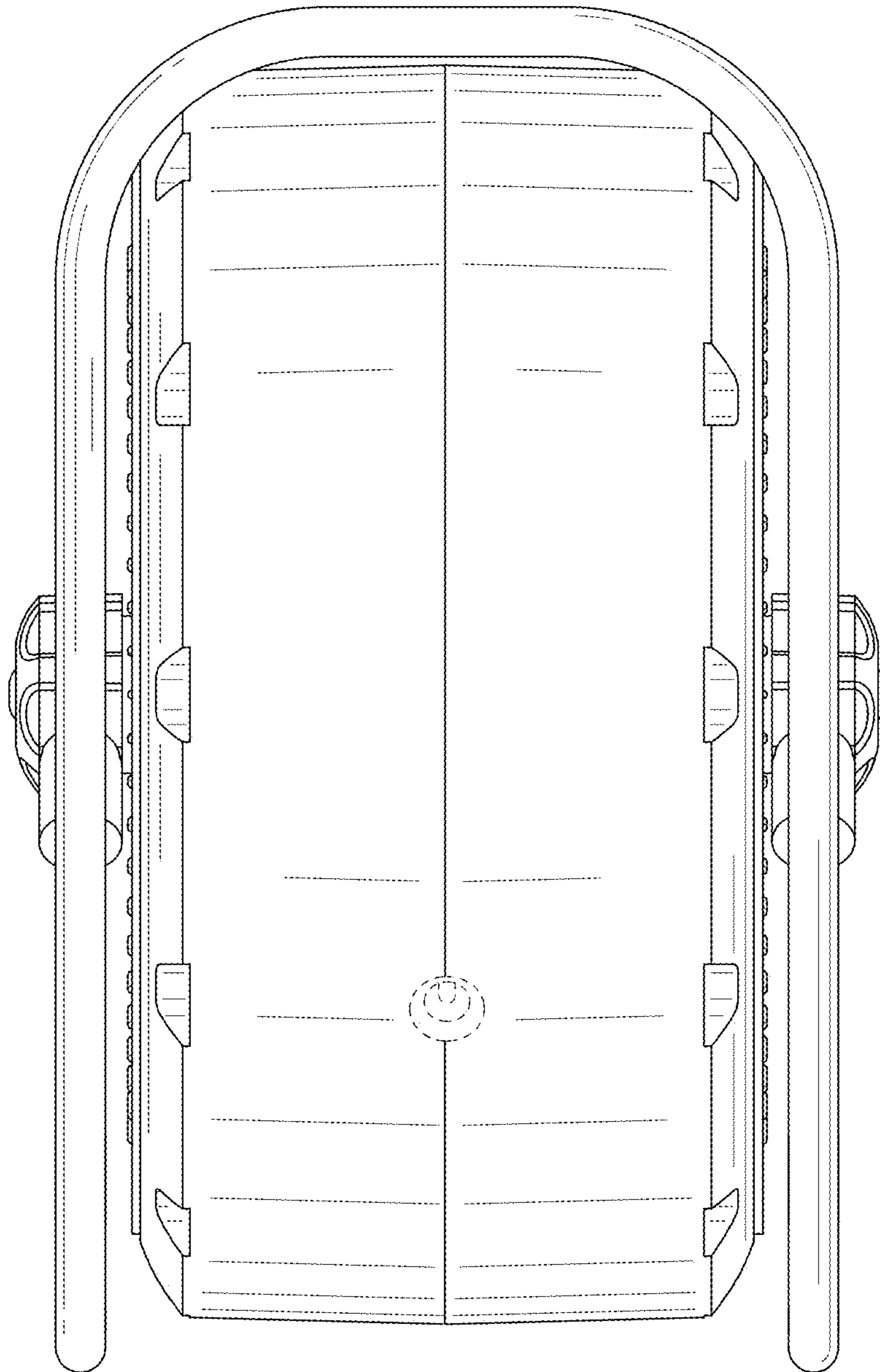


FIG. 8

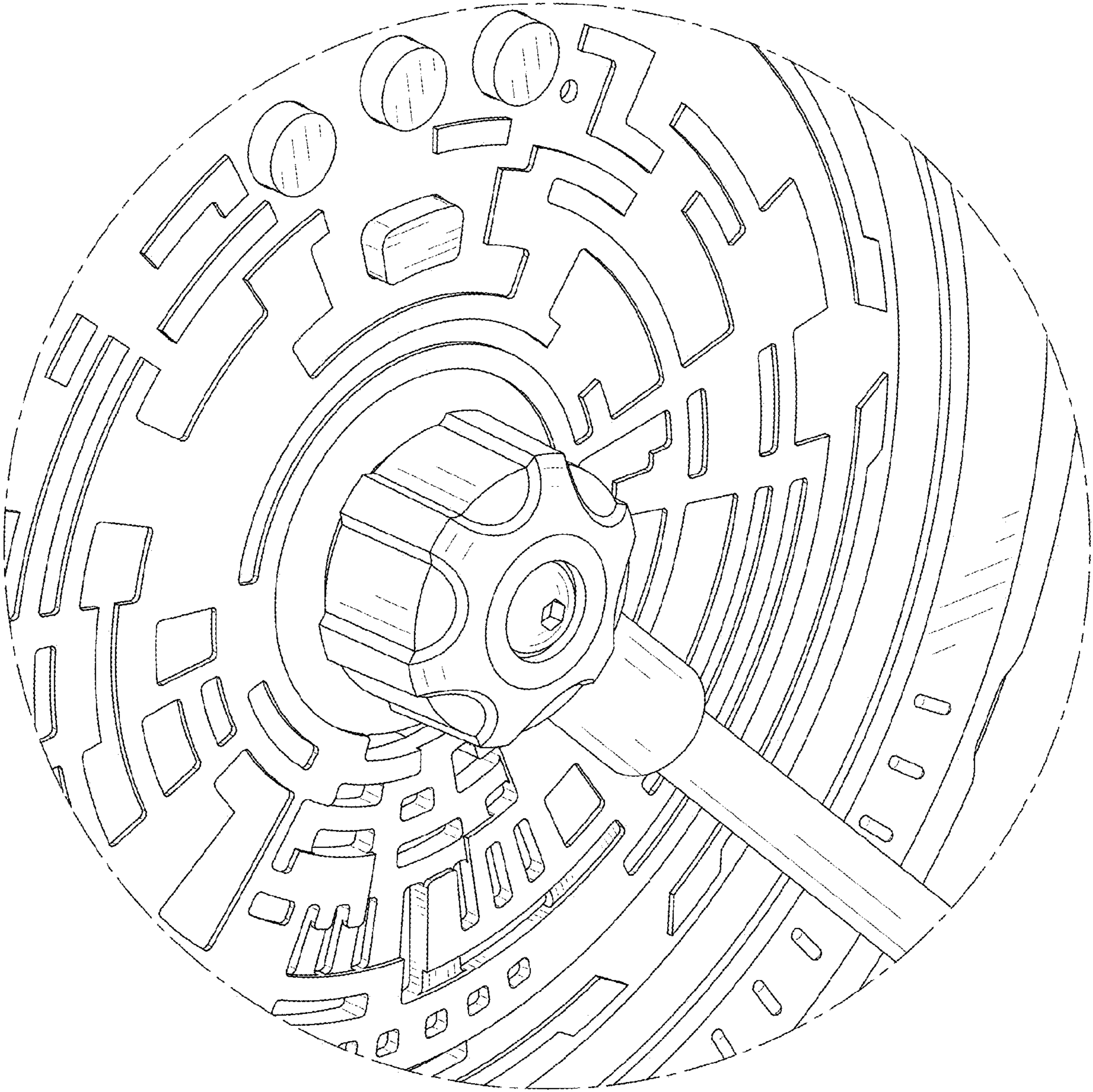


FIG. 9