



US00D944431S

(12) **United States Design Patent** (10) **Patent No.:** **US D944,431 S**  
**Morisawa** (45) **Date of Patent:** **\*\* Feb. 22, 2022**

(54) **COMBINED LIGHT AND SPEAKER**

(56) **References Cited**

(71) Applicant: **SONY CORPORATION**, Tokyo (JP)

U.S. PATENT DOCUMENTS

(72) Inventor: **Yujin Morisawa**, Tokyo (JP)

D144,257 S \* 3/1946 Rubin ..... D26/40  
D207,735 S \* 5/1967 Benes ..... D26/40

(73) Assignee: **SONY CORPORATION**, Tokyo (JP)

(Continued)

(\*\*) Term: **15 Years**

FOREIGN PATENT DOCUMENTS

(21) Appl. No.: **29/684,371**

CN 302973902 S 10/2014  
CN 303367944 S 9/2015  
JP D1587751 S 10/2017

(22) Filed: **Mar. 20, 2019**

OTHER PUBLICATIONS

(30) **Foreign Application Priority Data**

Dec. 27, 2018 (JP) ..... D2018-028733

12 Taper Candles, 12 Glass Chimneys and 12 Glass Taper Holders set of 12. By Yummi Candles. Dated Jul. 4, 2021. Found online [Aug. 9, 2021], <https://www.yummicandles.com/products/12-taper-candles-12-glass-chimneys-12-glass-taper-holders?variant=33139356106857> (Year: 2021).\*

(51) **LOC (13) Cl.** ..... **26-05**

(52) **U.S. Cl.**

USPC ..... **D26/52**

(Continued)

(58) **Field of Classification Search**

USPC ..... D26/9, 10, 20, 22, 24, 26-27, 37-52, D26/113, 118-120; D14/172, 194-195, D14/204, 215-216; D10/104.1, 106.1, D10/106.8-106.9

*Primary Examiner* — Marissa J Cash

*Assistant Examiner* — William B Melliar

(74) *Attorney, Agent, or Firm* — Michael Best and Friedrich LLP

CPC ..... H04R 1/026; H04R 2205/021; H04R 2227/003; H04R 3/12; H04R 1/025; H04R 1/1041; H04R 1/105; H04R 1/1066; H04R 1/30; H04R 2499/11; H04R 27/00; H04R 29/00; H04R 5/02; H04R 5/033; H04R 5/0335; H04R 9/06; H04R 1/02; H04R 2420/07; H04R 1/023; H04R 1/028; H04R 1/06; H04R 1/2803; H04R 1/345; H04R 1/347; H04R 2201/34; H04R 3/007; H04R 3/02; H04R 5/04; H04R 9/08; H04R 1/021; H04R 1/26; H04R 2420/03; F21V 33/0056; F21V 14/02; F21V 33/0076; F21V 14/04; F21V 23/0442; F21V 13/02; F21V 15/01; F21V 19/02; F21V 23/009; F21V 31/00; F21V 33/00; F21V 33/0052; F21V 3/061;

(57) **CLAIM**

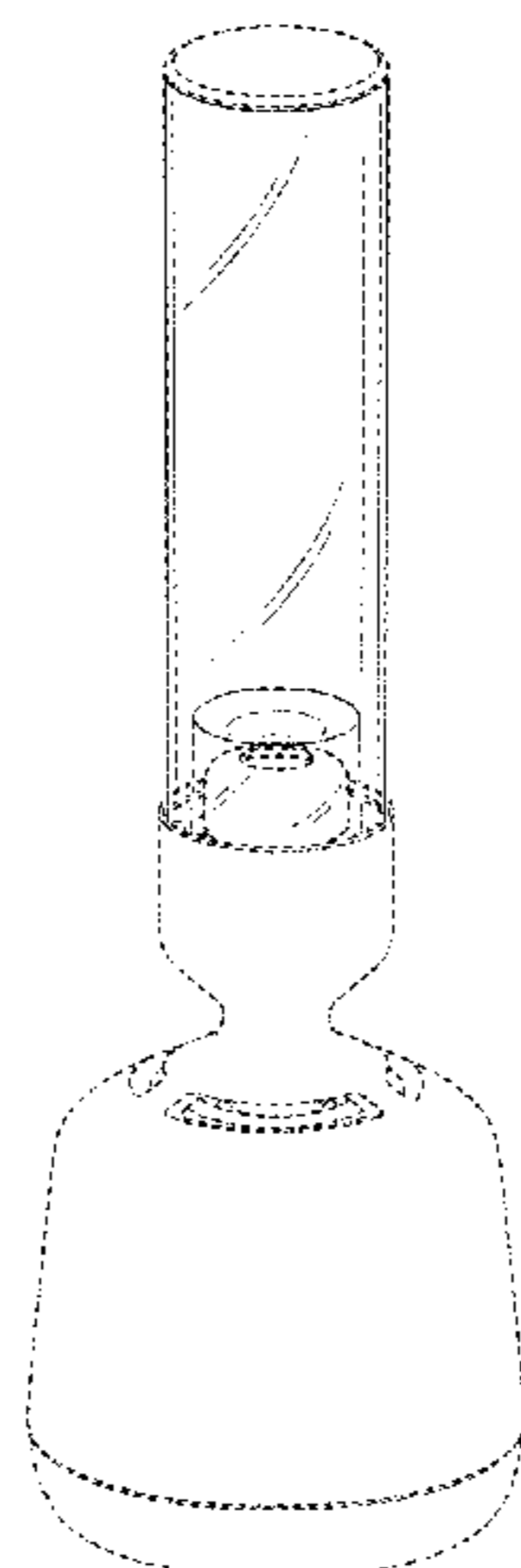
The ornamental design for a combined light and speaker, as shown and described.

**DESCRIPTION**

FIG. 1 is a perspective view of a combined light and speaker showing my new design;  
FIG. 2 is a front elevational view thereof;  
FIG. 3 is a rear elevational view thereof;  
FIG. 4 is a left side elevational view thereof;  
FIG. 5 is a right side elevational view thereof;  
FIG. 6 is a top plan view thereof; and,  
FIG. 7 is a bottom plan view thereof.

(Continued)

(Continued)



The broken lines illustrating portions of the combined light and speaker form no part of the claimed design.

**1 Claim, 7 Drawing Sheets**

(58) **Field of Classification Search**

CPC . F21V 9/30; F21V 17/06; F21V 17/14; F21V 21/044; F21V 23/003; F21V 23/0471; F21V 29/713; F21V 29/74; F21V 3/02; F21V 7/00; F21V 7/04; F21V 7/041; F21V 7/043; F21V 7/06

See application file for complete search history.

(56) **References Cited**

U.S. PATENT DOCUMENTS

D467,025	S	*	12/2002	Tinsley	.....	D26/110
D530,843	S	*	10/2006	Yamamoto	.....	D26/42
D560,010	S	*	1/2008	Kwok	.....	D26/40
D568,292	S	*	5/2008	Tsuge	.....	D14/211
D576,756	S	*	9/2008	DeBrunner	.....	D26/40
D610,283	S	*	2/2010	Loi	.....	D26/40
D617,480	S	*	6/2010	DeBrunner	.....	D26/40
D644,768	S	*	9/2011	Ryser	.....	D26/9
D742,563	S	*	11/2015	Kasha	.....	A47G 7/06 D26/9

D775,752	S	*	1/2017	Nook	.....	D26/38
D790,738	S	*	6/2017	Bello	.....	D26/24
D823,833	S	*	7/2018	Shiono	.....	D14/216
D872,332	S	*	1/2020	Hsu	.....	D26/40
D887,389	S	*	6/2020	Zhang	.....	D14/204
D892,372	S	*	8/2020	Hsu	.....	D26/37
10,993,018	B2	*	4/2021	Kikuchi	.....	H04R 1/025
D918,449	S	*	5/2021	Raghunathan	.....	D26/51
D918,450	S	*	5/2021	Raghunathan	.....	D26/51

OTHER PUBLICATIONS

Infinite Rainbow Reflections Tealight Holder. By Party Lite. Dated Apr. 30, 2018. Found online [Aug. 9, 2021], <https://www.partylite.com/infinite-rainbow-reflections-tealight-holder.html> (Year: 2018).\*

7 Water Speakers For a Visual Music Experience That Syncs With Your Tunes. By Bestproducts.com. Dated Mar. 15, 2017. Found online [Aug. 9, 2021], <https://www.bestproducts.com/tech/gadgets/g2439/dancing-water-speakers-with-lights/> (Year: 2017).\*

“Amplifier”, Website <https://www.flynnalbot.com>, 2013, Studio Flynn Talbot.

“2018 New innovate gadget big large water dancing blue tooth speaker with table lamp light”, Website: [https://www.alibaba.com/product-detail/2018-New-innovate-gadget-big-large\\_60405478531.html?spm=a2700.galleryofferlist.normalList.254.6f6a4a17AhSahr](https://www.alibaba.com/product-detail/2018-New-innovate-gadget-big-large_60405478531.html?spm=a2700.galleryofferlist.normalList.254.6f6a4a17AhSahr), 2018, Alibaba.com.

\* cited by examiner

FIG. 1

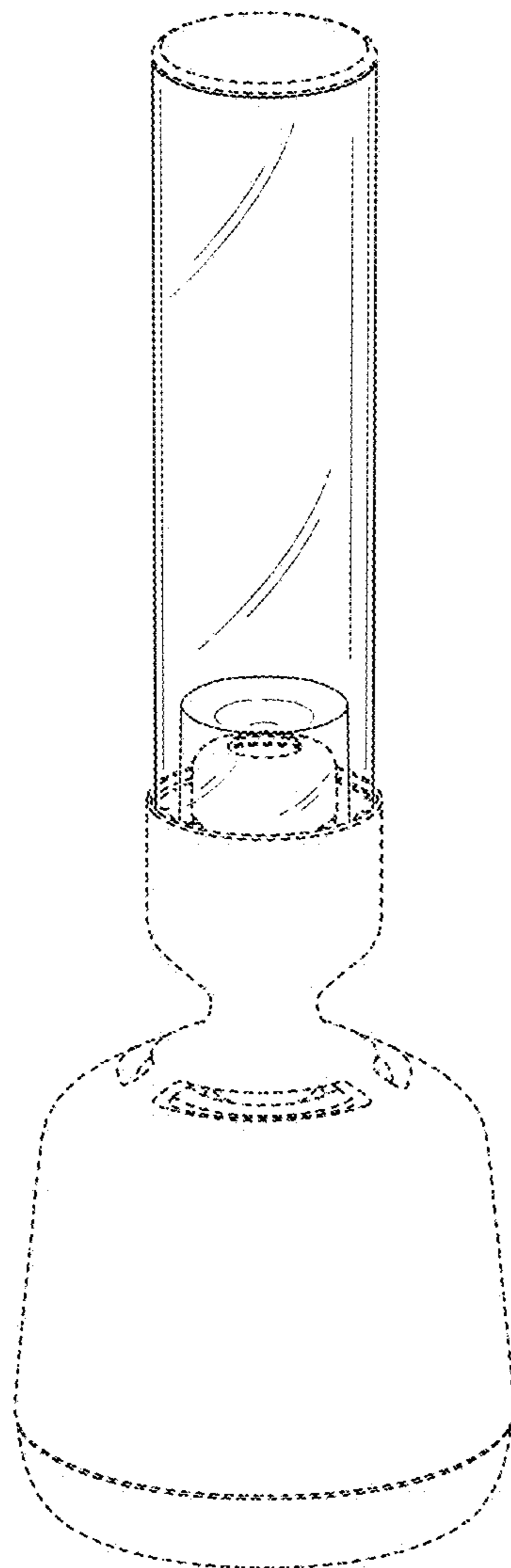


FIG. 2

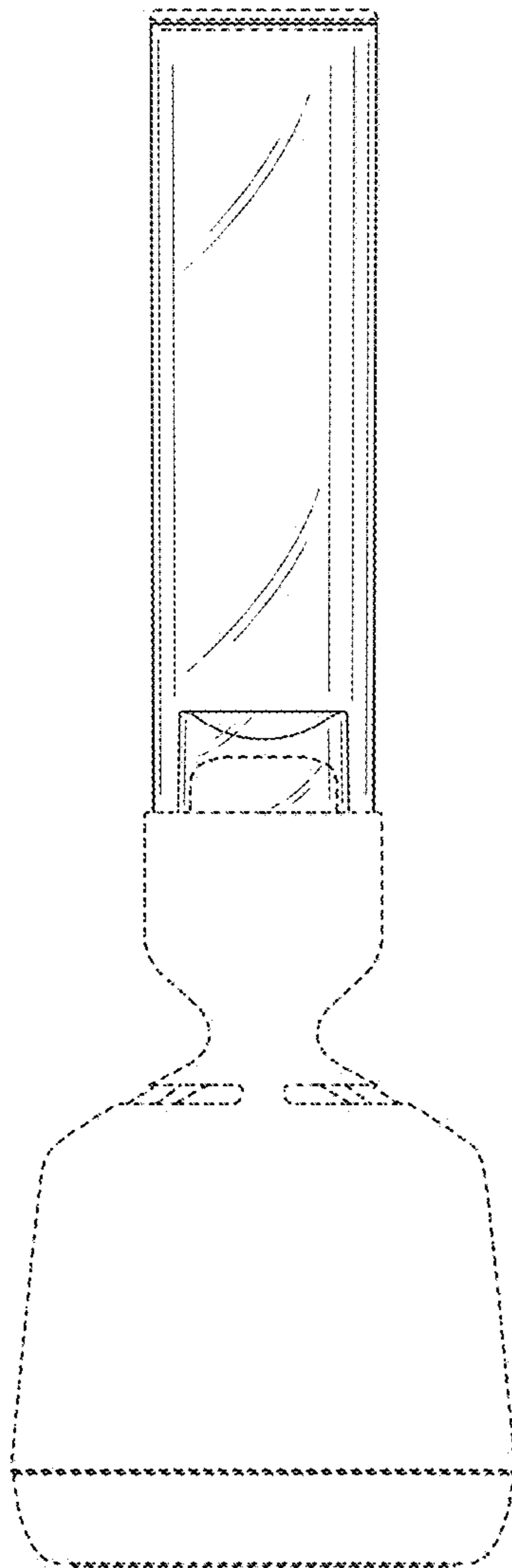


FIG. 3

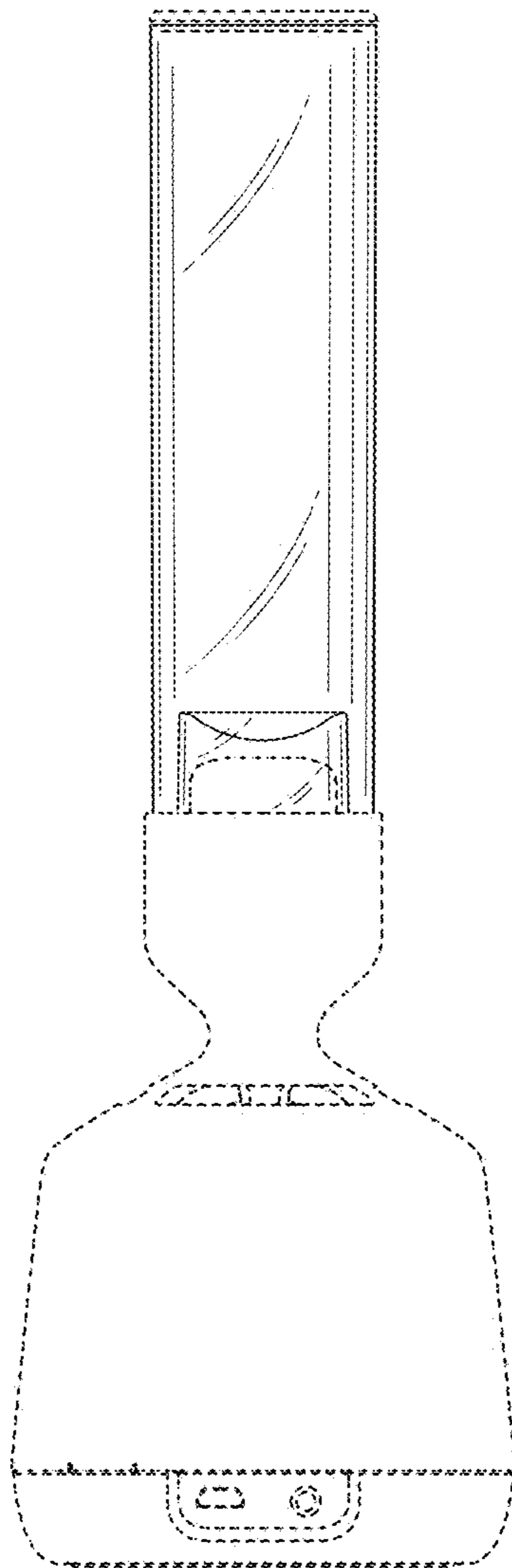
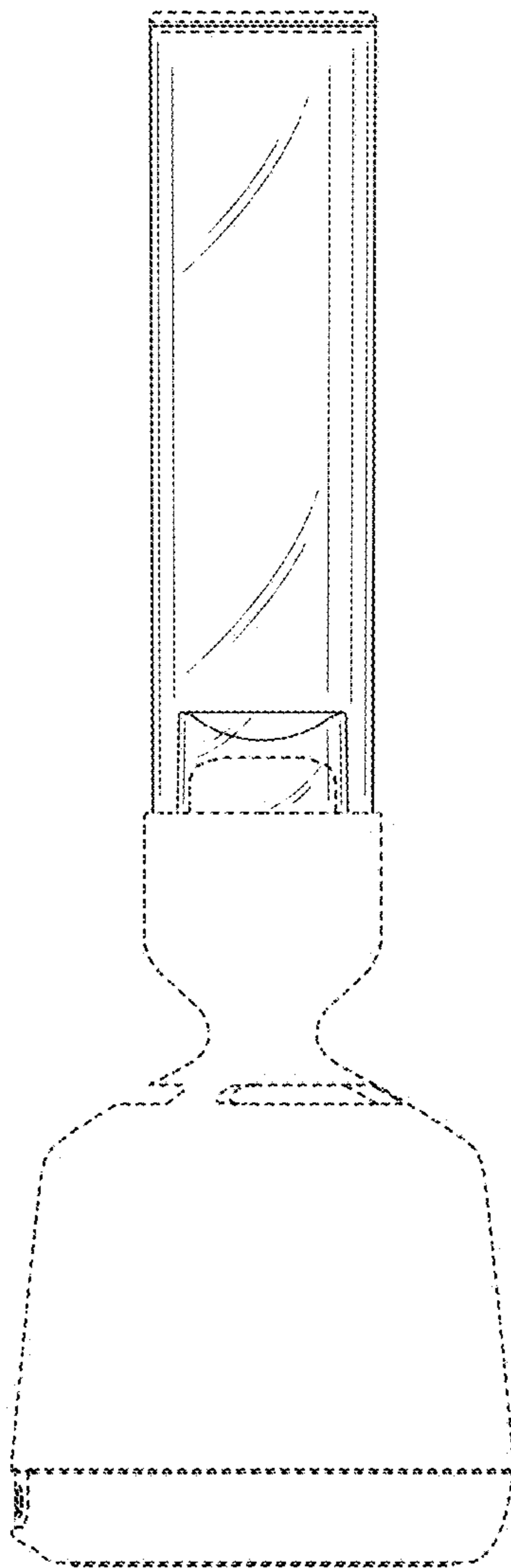


FIG. 4



*FIG. 5*

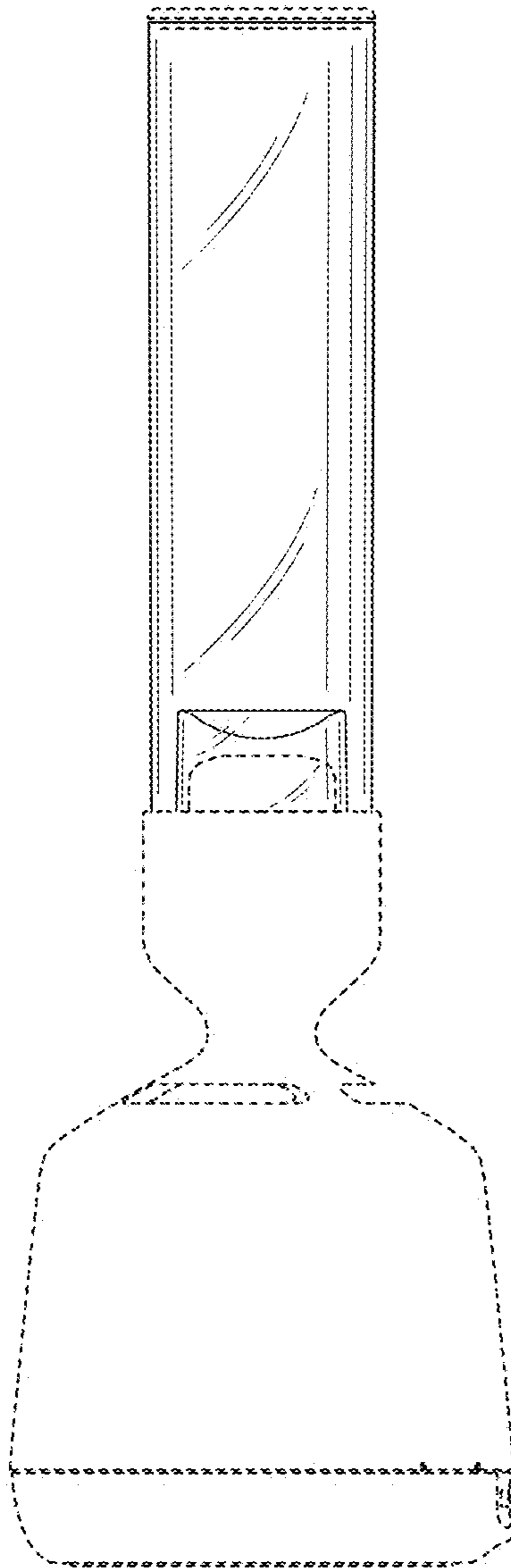




FIG. 6

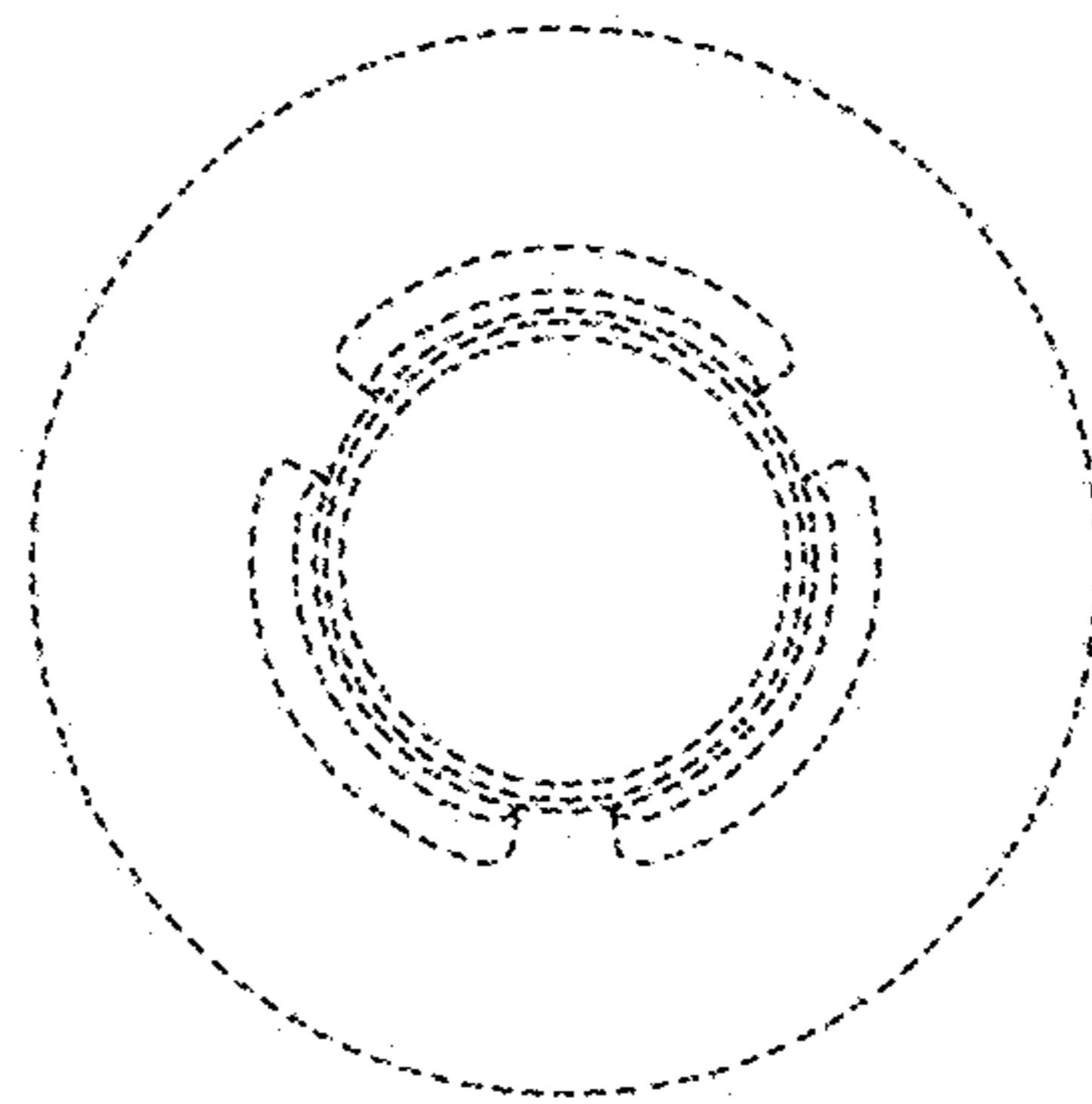




FIG. 7

