



US00D944430S

(12) **United States Design Patent** (10) **Patent No.:** **US D944,430 S**
Wang (45) **Date of Patent:** **** Feb. 22, 2022**

(54) **FLASHLIGHT**

(71) Applicant: **SHENZHEN ZHONGLAN LIGHT TECHNOLOGY CO., LTD.**, Shenzhen (CN)

(72) Inventor: **Gaofei Wang**, Longyan (CN)

(73) Assignee: **SHENZHEN ZHONGLAN LIGHT TECHNOLOGY CO., LTD.**, Shenzhen (CN)

(**) Term: **15 Years**

(21) Appl. No.: **29/771,535**

(22) Filed: **Feb. 23, 2021**

(51) **LOC (13) Cl.** **26-02**

(52) **U.S. Cl.**
USPC **D26/49**

(58) **Field of Classification Search**

USPC D26/24, 37-52, 113, 118-119, 123-124

CPC F21Y 2115/10; F21Y 2113/13; F21Y 2101/00; F21Y 2103/10; F21Y 2107/40; F21Y 2105/10; F21Y 2105/18; F21Y 2113/00; F21Y 2113/10; F21Y 2113/17; F21Y 2113/20; F21L 4/005; F21L 4/027; F21L 4/085; F21L 4/08; F21L 4/00; F21L 4/045; F21L 4/02; F21L 4/022; F21L 4/025; F21L 4/04; F21L 13/00; F21L 14/02; F21L 2/00; F21V 23/0414; F21V 23/0428; F21V 23/0421; F21V 21/0965; F21V 15/01; F21V 21/0885; F21V 21/406; F21V 23/0407; F21V 23/06; F21V 33/0064; F21V 33/0084; F21V 5/04; F21V 14/025; F21V 23/04; F21V 31/005; F21V 14/045; F21V 21/084; F21V 23/003; F21V 3/00; F21V 5/006;

(Continued)

(56) **References Cited**

U.S. PATENT DOCUMENTS

D504,530 S * 4/2005 Shiu D26/37
D509,008 S * 8/2005 Shiu D26/37

(Continued)

FOREIGN PATENT DOCUMENTS

CN 200930027126 * 4/2010
CN 201330208012 * 10/2013

(Continued)

OTHER PUBLICATIONS

LED Rechargeable Tactical Flashlights. By Bercol. Dated Jul. 26, 2021. Found online [Aug. 17, 2021]. https://www.amazon.com/Rechargeable-Flashlights-Waterproof-Flashlight-Flashlight/dp/B09B117XVL/ref=sr_1_293?dchild=1&keywords=tactical+flashlight&qid=1629212748&sr=8-293 (Year: 2021).*

(Continued)

Primary Examiner — Marissa J Cash
Assistant Examiner — William B Melliar

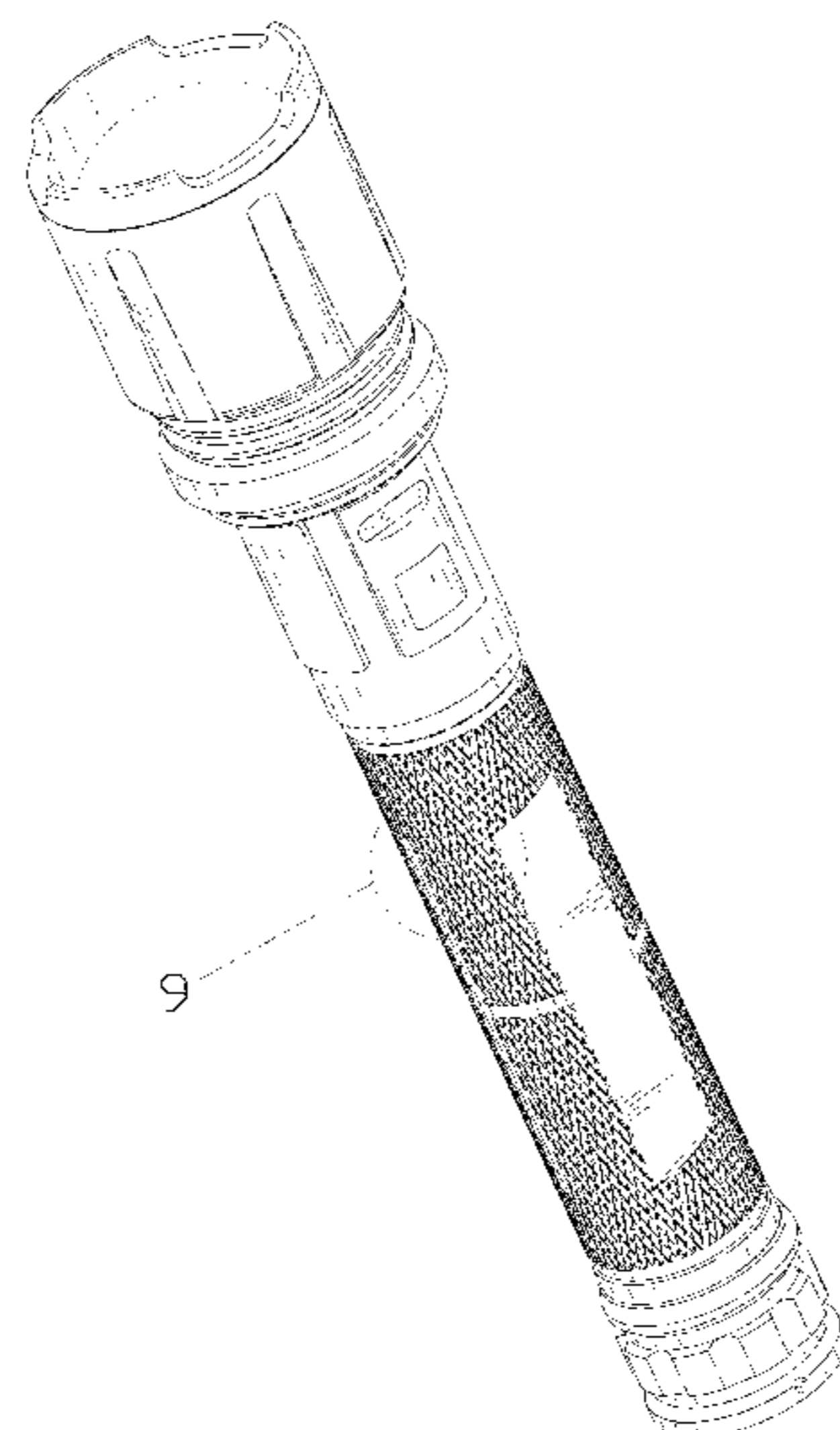
(57) **CLAIM**

The ornamental design for a flashlight, as shown and described.

DESCRIPTION

FIG. 1 is a perspective view of a flashlight showing my new design;
FIG. 2 is another perspective view thereof;
FIG. 3 is a front elevational view thereof;
FIG. 4 is a rear elevational view thereof;
FIG. 5 is a left side elevational view thereof;
FIG. 6 is a right side elevational view thereof;
FIG. 7 is a top plan view thereof;
FIG. 8 is a bottom plan view thereof; and,
FIG. 9 is an enlarged view of portion 9 shown in FIG. 1.
The broken lines in the drawings depict portions of the flashlight that form no part of the claimed design. The dot-dash-dot lines surrounding the detail views in FIGS. 1 and 9 are for annotative purposes only and form no part thereof.

1 Claim, 9 Drawing Sheets



(58) Field of Classification Search

CPC F21V 13/045; F21V 14/065; F21V 21/08;
 F21V 23/0435; F21V 29/70; F21V 31/00;
 F21V 33/0076; F21V 33/008; F21V
 7/0075; F21V 15/012; F21V 17/12; F21V
 19/02; F21V 21/0816; F21V 21/0925;
 F21V 21/30; F21V 23/0464; F21V
 23/0471; F21V 7/06; F21V 17/10; F21V
 21/096; F21V 21/145; F21V 23/023;
 F21V 23/0442; F21V 29/507; F21V
 33/0068; F21V 9/083; F21V 9/20; F21V
 11/08; F21V 13/14; F21V 14/04; F21V
 14/06; F21V 14/085; F21V 15/00; F21V
 17/002; F21V 17/02; F21V 17/06; F21V
 17/105; F21V 17/107; F21V 19/001;
 F21V 19/047; F21V 21/00; F21V 21/002;
 F21V 21/06; F21V 21/14; F21V 21/22;
 F21V 21/26; F21V 21/32; F21V 23/001;
 F21V 23/002; F21V 23/005; F21V 23/02;
 F21V 23/045; F21V 23/0492; F21V
 25/04; F21V 29/15; F21V 29/503; F21V
 29/508; F21V 29/713; F21V 29/763;
 F21V 29/767; F21V 29/89; F21V 29/90;
 F21V 33/00; F21V 33/0004; F21V
 33/0036; F21V 33/0052; F21V 3/02;
 F21V 5/00; F21V 5/008; F21V 5/046;
 F21V 5/048; F21V 5/08; F21V 7/00;
 F21V 7/0008; F21V 7/0083; F21V
 7/0091; F21V 7/04; F21V 7/041; F21V
 7/22; F21V 7/24; F41G 1/35; F41G
 11/003; F41G 1/34; F41G 1/345; F41G
 11/001; F41G 1/36; F41G 3/2655

See application file for complete search history.

(56)

References Cited

U.S. PATENT DOCUMENTS

D518,213	S	*	3/2006	Ping	D26/44
D551,366	S	*	9/2007	Galli	D26/37
D557,836	S	*	12/2007	Shiu	D26/37
D557,840	S	*	12/2007	Shiu	D26/37
D566,309	S	*	4/2008	Kornfeld	D26/37
D590,970	S	*	4/2009	Kornfeld	D26/37
D674,943	S	*	1/2013	Sheikh	F21L 4/00 D26/38
D805,668	S		12/2017	Shirley et al.		
D828,940	S	*	9/2018	Qiu	D26/49
D875,287	S	*	2/2020	Inskeep	D26/49
D884,943	S	*	5/2020	Petrucelli	D26/38
D891,660	S	*	7/2020	Shi	D26/37
10,711,953	B1	*	7/2020	Zhu	F21V 23/009
D897,579	S	*	9/2020	Le	D26/37
D897,580	S	*	9/2020	Qiu	D26/49
D905,885	S	*	12/2020	Kotsis	D26/49
D914,257	S	*	3/2021	Windom	D26/37
D922,640	S	*	6/2021	Lin	D26/49
D922,641	S	*	6/2021	Hu	D26/49
D927,031	S	*	8/2021	Liu	D26/49

FOREIGN PATENT DOCUMENTS

CN	201830669039.1	*	7/2019
CN	201930661718.9	*	4/2020
JP	D2016-24373	*	12/2017

OTHER PUBLICATIONS

Rechargeable LED Tactical Flashlights. By Hoxida. Dated Jun. 9, 2021. Found online [Aug. 17, 2021]. <https://www.amazon.com/Rechargeable-Tactical-Flashlights-Flashlight-Waterproof/dp/B096WY741H/> (Year: 2021).*

* cited by examiner

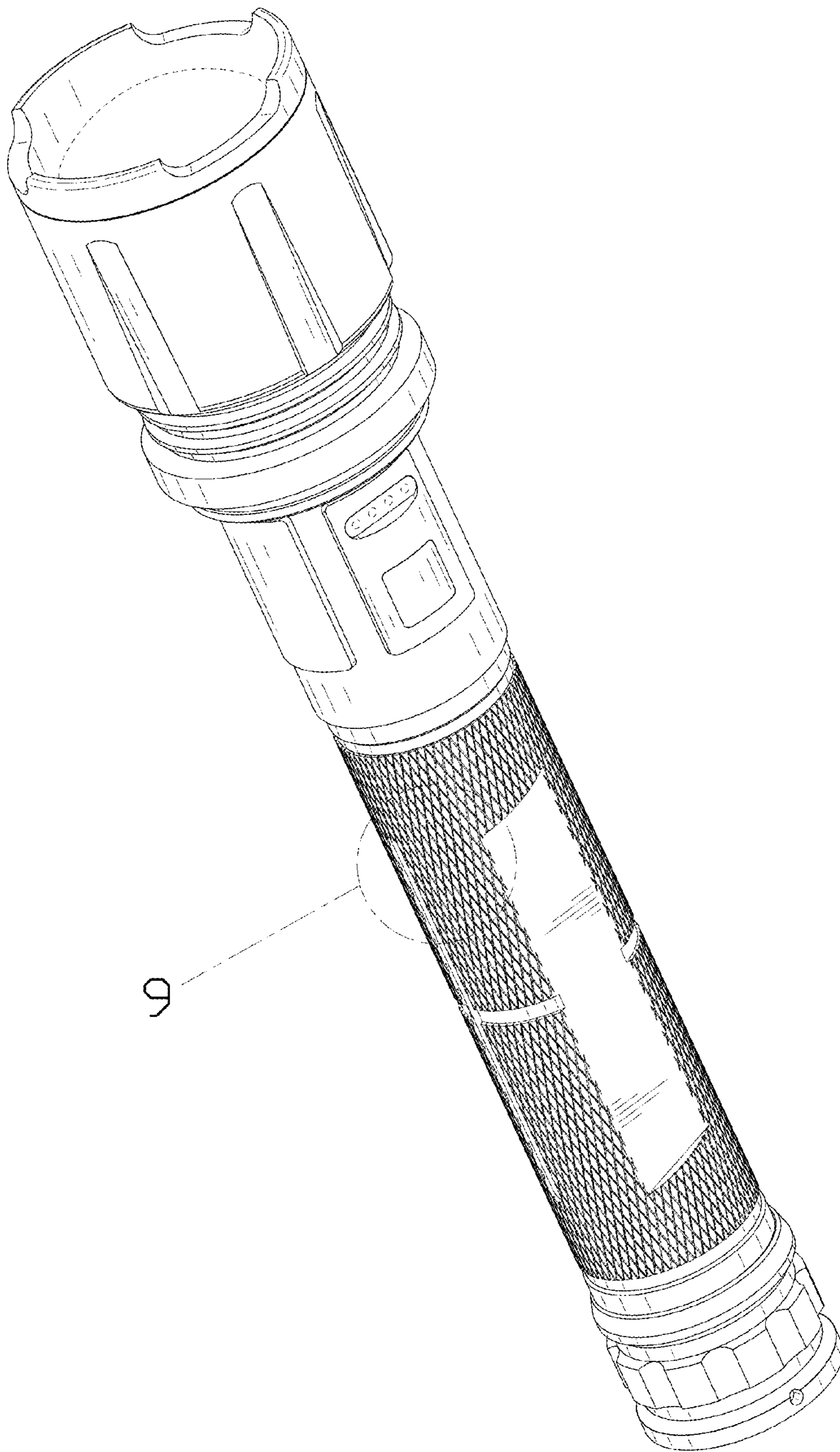


FIG. 1

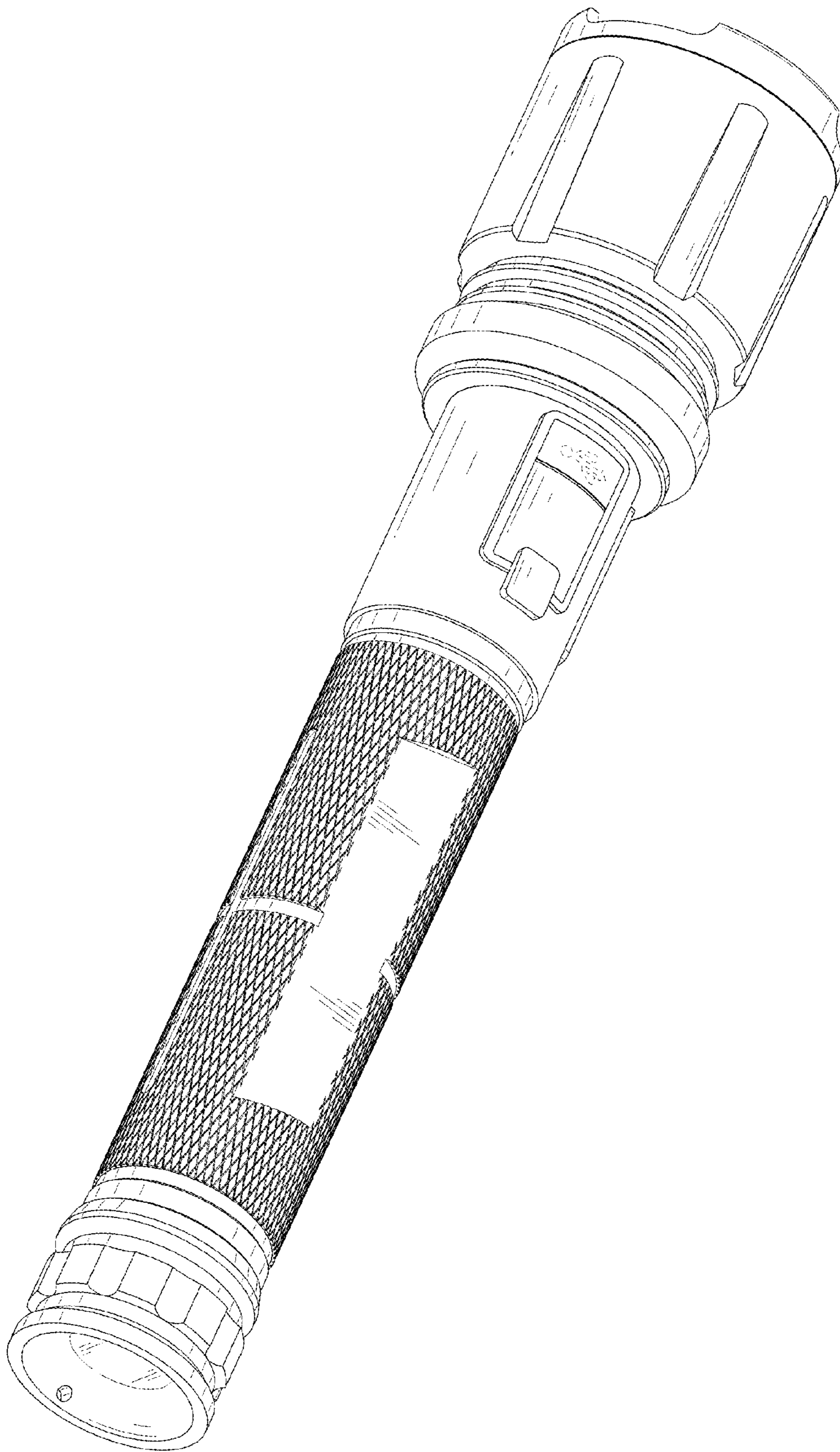


FIG. 2

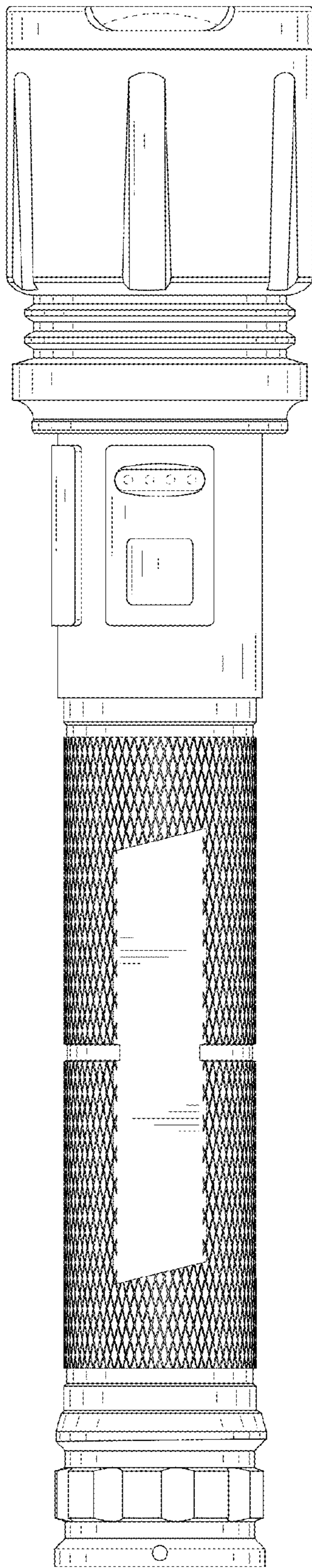


FIG. 3

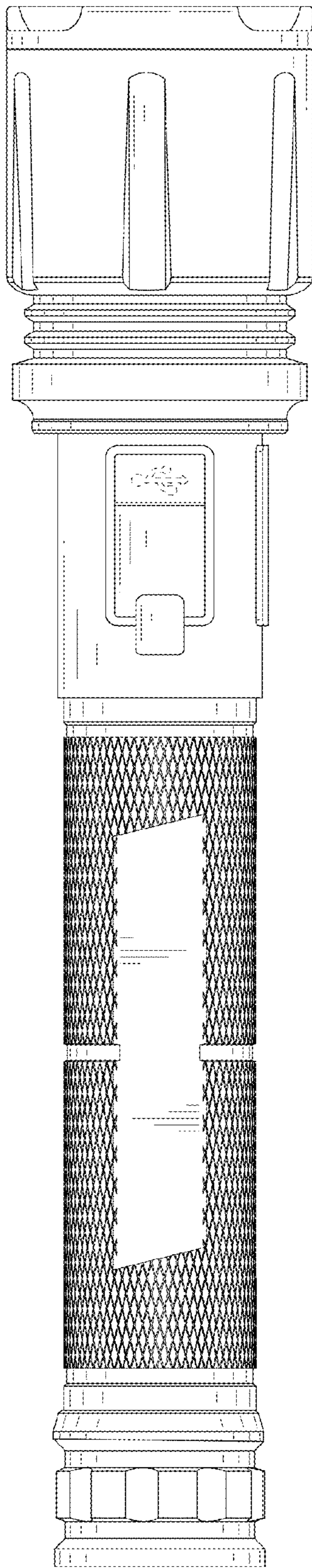


FIG. 4

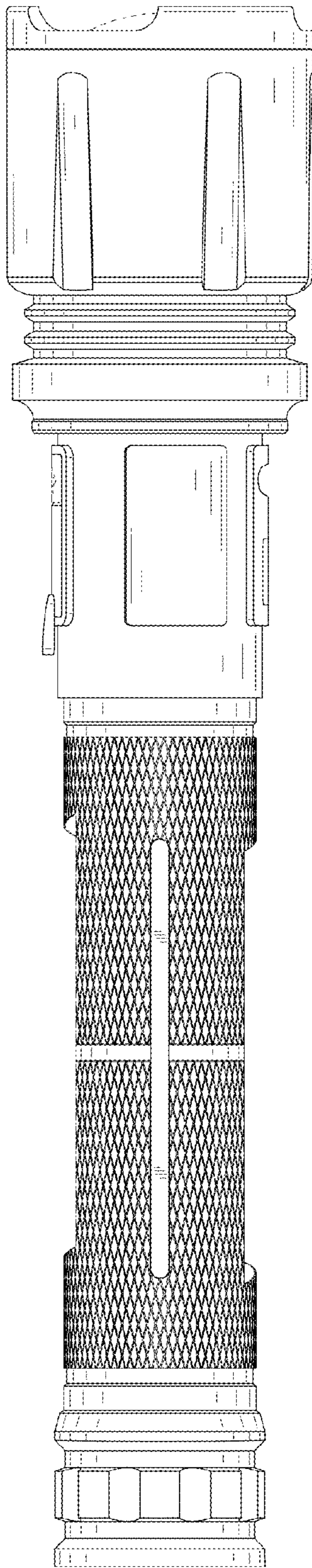


FIG. 5

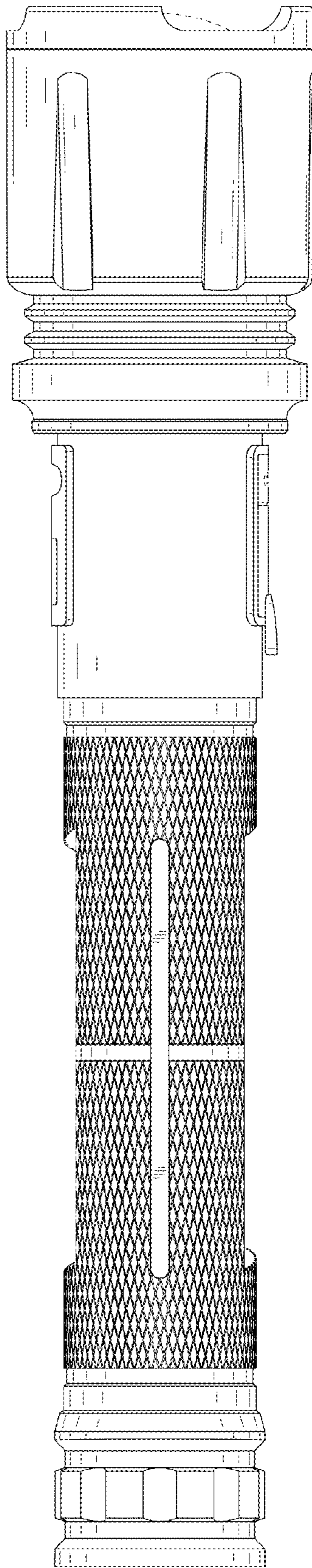


FIG. 6

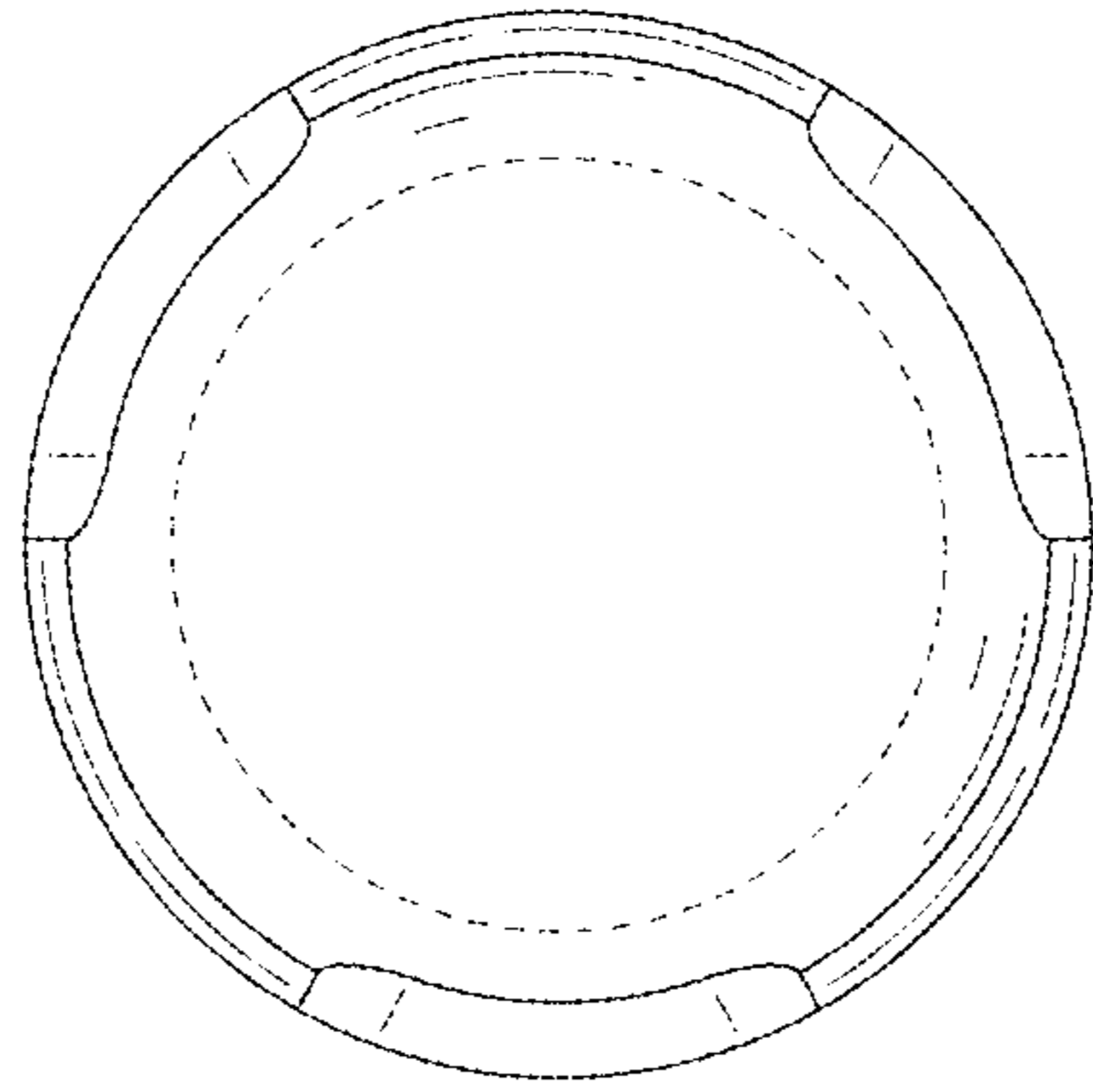


FIG. 7

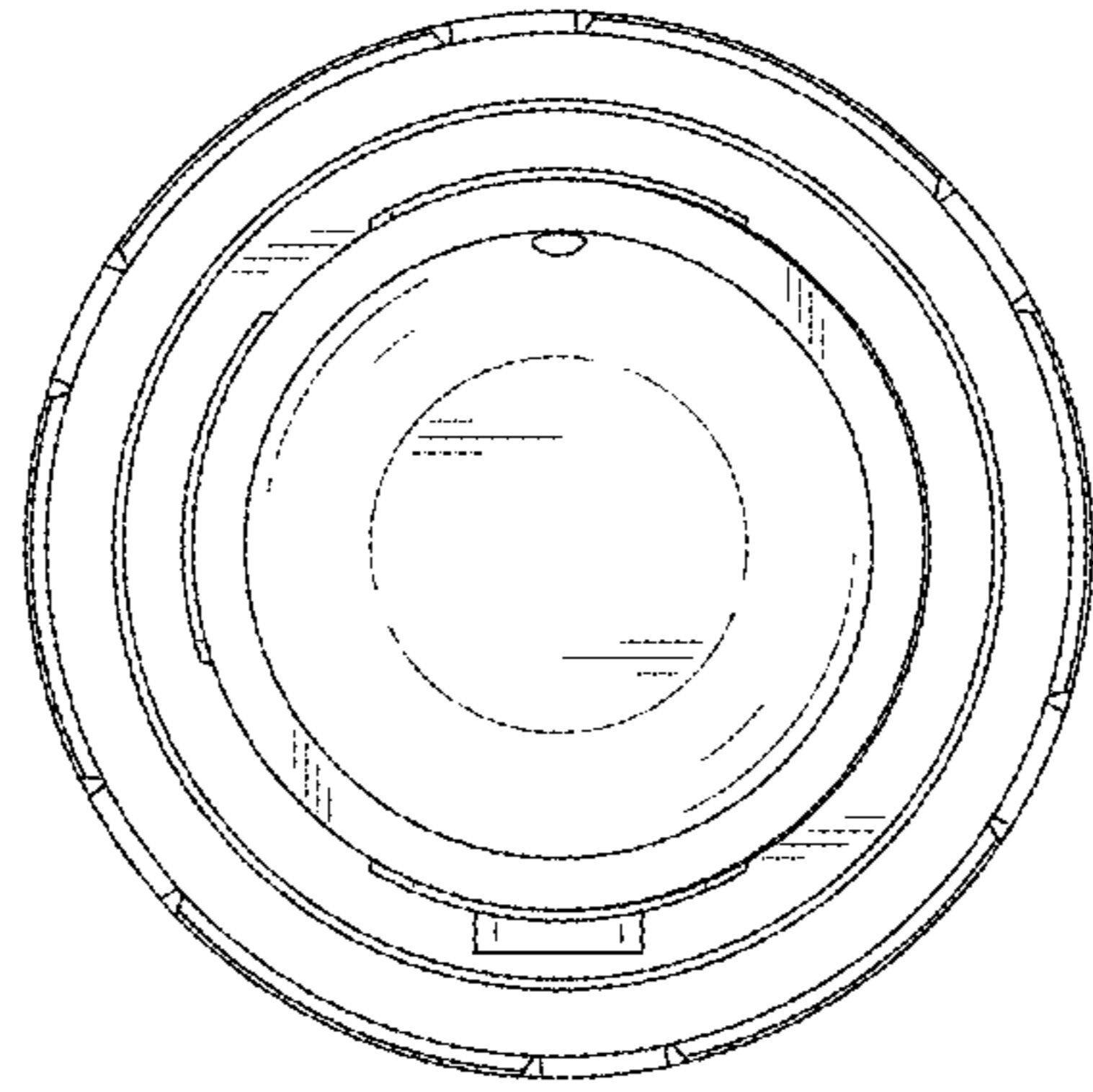


FIG. 8

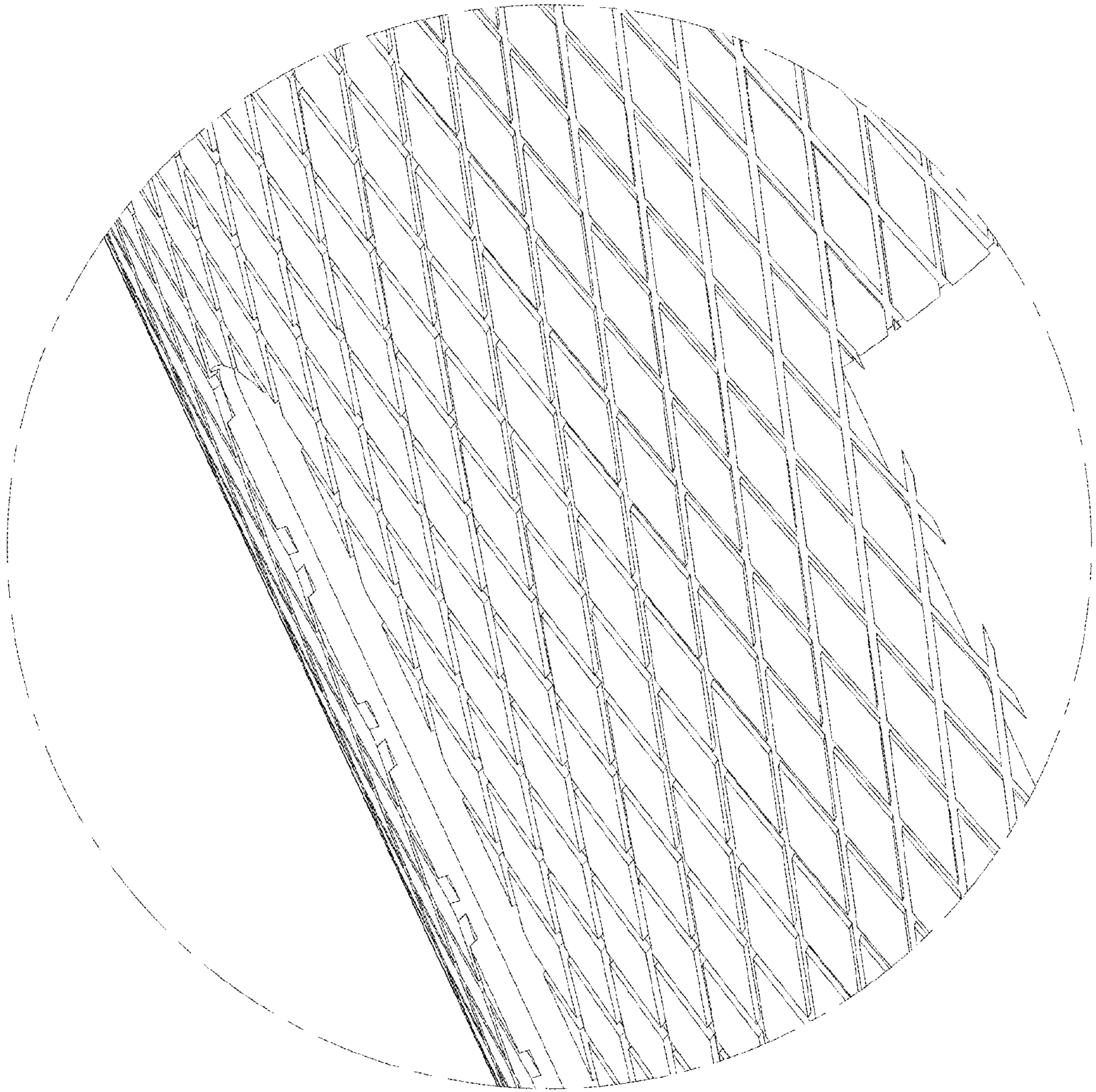


FIG. 9