



US00D944428S

(12) **United States Design Patent**
Tang

(10) **Patent No.:** **US D944,428 S**

(45) **Date of Patent:** **** Feb. 22, 2022**

(54) **HEADLIGHT FOR VEHICLES**

(71) Applicant: **Ninebot (Beijing) Tech Co., Ltd.**,
Beijing (CN)

(72) Inventor: **Jun Tang**, Beijing (CN)

(**) Term: **15 Years**

(21) Appl. No.: **35/510,981**

(22) Filed: **Jun. 12, 2020**

(80) **Hague Agreement Data**

Int. Filing Date: **Jun. 12, 2020**

Int. Reg. No.: **DM/210543**

Int. Reg. Date: **Jun. 12, 2020**

Int. Reg. Pub. Date: **Dec. 18, 2020**

(30) **Foreign Application Priority Data**

Dec. 13, 2019 (CN) 201930698212.5

(51) **LOC (13) Cl.** **26-06**

(52) **U.S. Cl.**
USPC **D26/28**

(58) **Field of Classification Search**

USPC D26/28, 29, 34, 35, 36

CPC F21S 41/00; F21S 41/14; F21S 41/141;
F21S 41/20; F21S 41/30; F21S 43/00;
F21S 43/10; F21S 43/14; F21S 43/15;
F21S 43/20; F21S 43/30; B60Q 1/26;
B60Q 1/2619; B60Q 1/22; B60Q 1/28;
B60Q 1/30; B60Q 1/34; B60Q 1/44;
B60Q 1/46

See application file for complete search history.

(56) **References Cited**

U.S. PATENT DOCUMENTS

D490,172 S * 5/2004 Yamamoto D26/28
D570,009 S * 5/2008 Kani D26/28
D578,231 S * 10/2008 Huang D26/28

D578,685 S * 10/2008 Manus D26/28
D585,575 S * 1/2009 Crispin D26/28
D592,330 S * 5/2009 Huang D26/28
D600,838 S * 9/2009 Kuboshima D26/28
D601,727 S * 10/2009 Huang D26/28
D613,440 S * 4/2010 Lindholm D26/63
D626,670 S * 11/2010 Metzger D26/28
D643,955 S * 8/2011 Tsai D26/28
D657,081 S * 4/2012 Alisauskas D26/28
D670,839 S * 11/2012 Smarslik D26/28
D688,399 S * 8/2013 Adams D26/28
D694,928 S * 12/2013 Chen D26/63
D708,373 S * 7/2014 Kani D26/28
D712,076 S * 8/2014 Haumann D26/28
D712,077 S * 8/2014 Leban D26/28
D735,908 S * 8/2015 Ko D26/28
D736,430 S * 8/2015 Ko D26/28
D737,482 S * 8/2015 Kuge D26/28
D738,011 S * 9/2015 Lin D26/28
D738,015 S * 9/2015 Lin D26/28

(Continued)

Primary Examiner — Steven J Czyz

(57) **CLAIM**

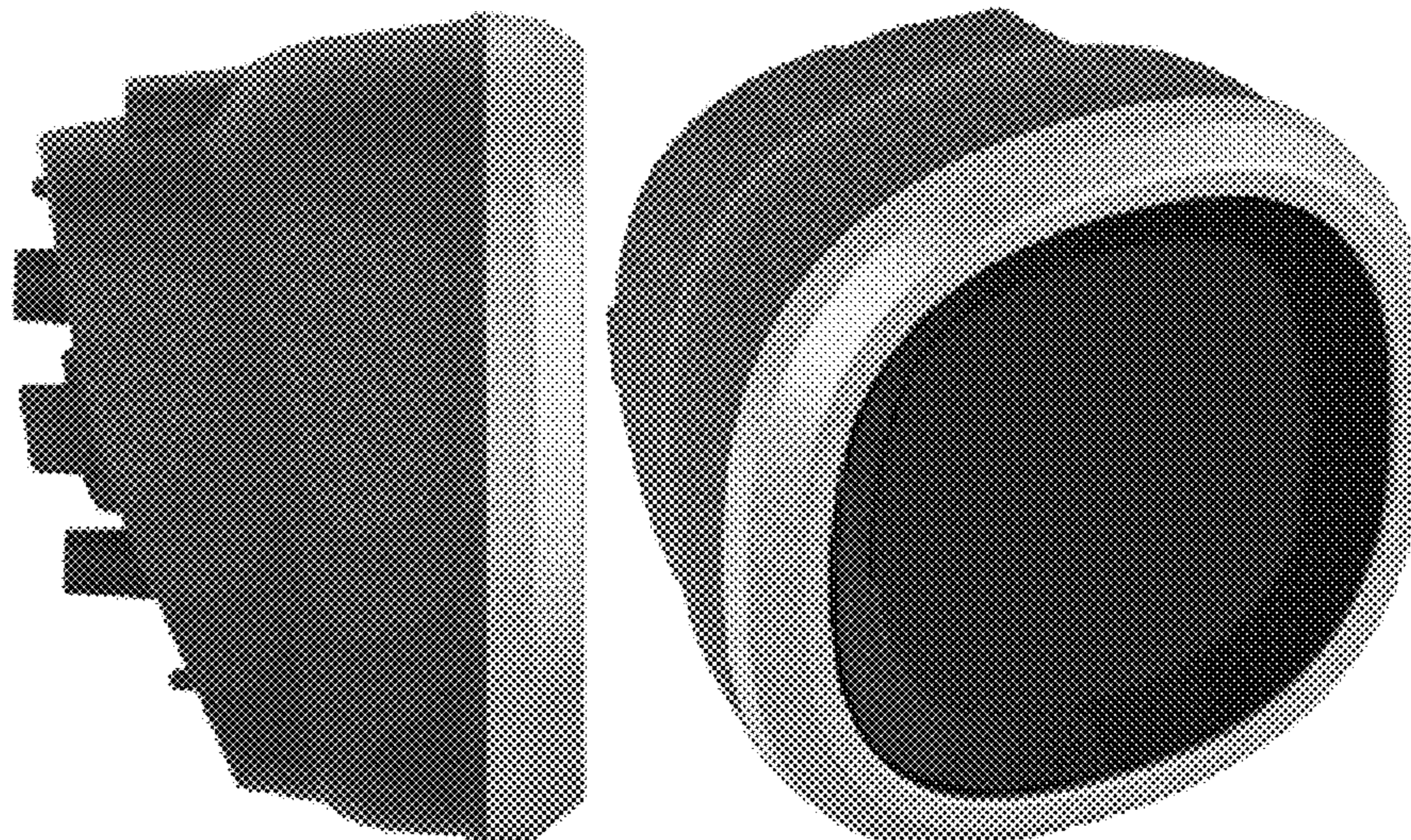
The ornamental design for a headlight for vehicles, as shown and described.

DESCRIPTION

1.-2. Headlight for vehicles

- 1.1 : Front
- 1.2 : Back
- 1.3 : Left
- 1.4 : Right
- 1.5 : Top
- 1.6 : Bottom
- 1.7 : Perspective
- 2.1 : Front
- 2.2 : Back
- 2.3 : Left
- 2.4 : Right
- 2.5 : Top
- 2.6 : Bottom
- 2.7 : Perspective

1 Claim, 14 Drawing Sheets



(56)

References Cited

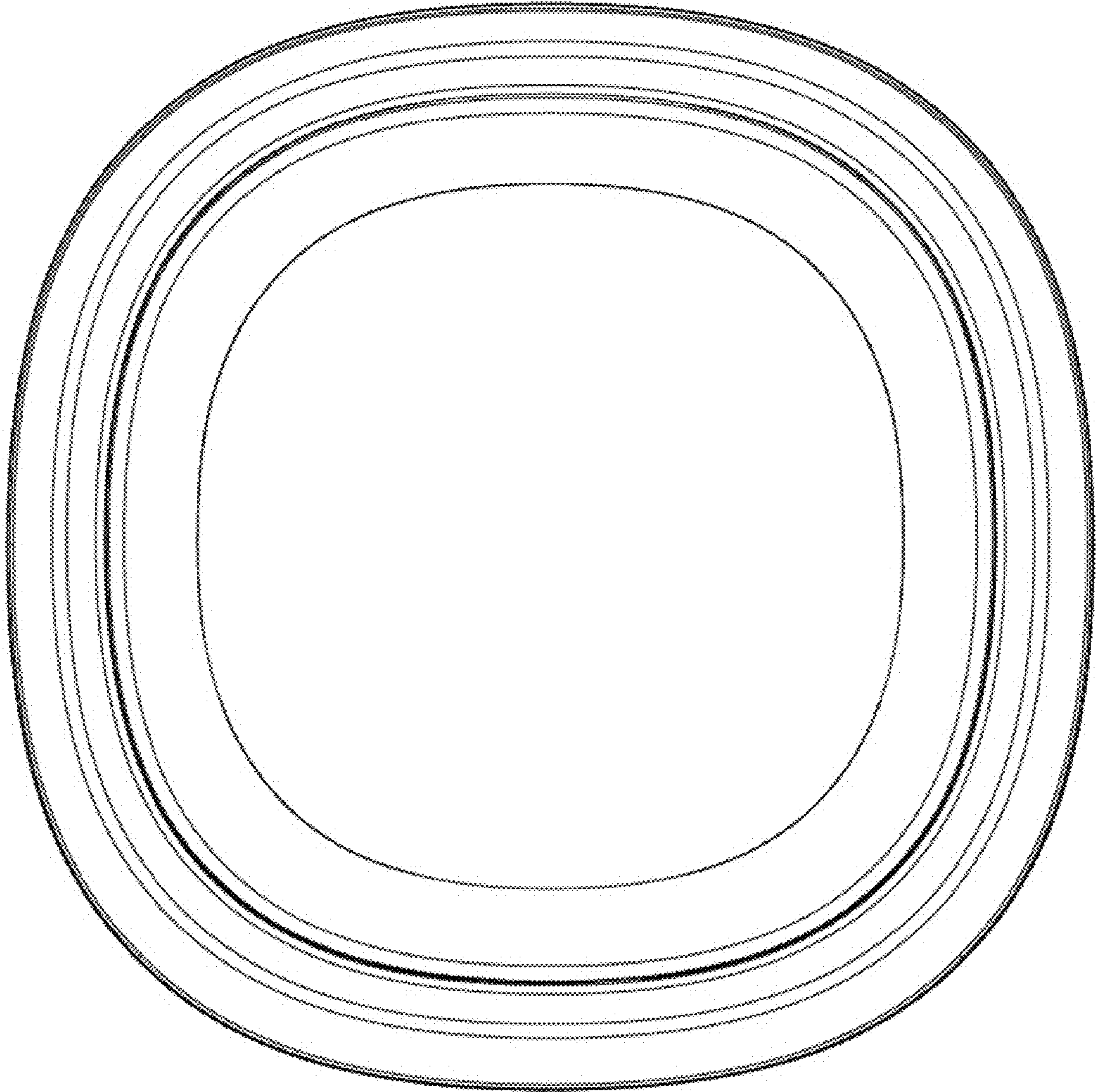
U.S. PATENT DOCUMENTS

D738,019 S * 9/2015 Lin D26/28
 D739,576 S * 9/2015 Okuda D26/28
 D739,577 S * 9/2015 Kani D26/28
 D747,516 S * 1/2016 Yang D26/28
 D747,524 S * 1/2016 Jacq D26/63
 D754,891 S * 4/2016 Leban D26/28
 D757,969 S * 5/2016 Fan D26/28
 D766,473 S * 9/2016 Riedel D26/28
 D775,381 S * 12/2016 Jacq D26/28
 D780,350 S * 2/2017 Dennis D26/28
 D787,717 S * 5/2017 Jacq D26/28
 D788,334 S * 5/2017 Jacq D26/28
 D793,593 S * 8/2017 Chen D26/28
 D796,095 S * 8/2017 Huang D26/28
 D799,079 S * 10/2017 Dennis D26/28
 D799,080 S * 10/2017 Dennis D26/28
 D805,225 S * 12/2017 Dennis D26/28
 D809,166 S * 1/2018 Georgitsis D26/28
 D810,331 S * 2/2018 Jacq D26/28
 D810,332 S * 2/2018 Jacq D26/28
 D810,973 S * 2/2018 Jacq D26/28
 D827,883 S * 9/2018 Deyaf D26/28
 D848,650 S * 5/2019 Peng D26/28

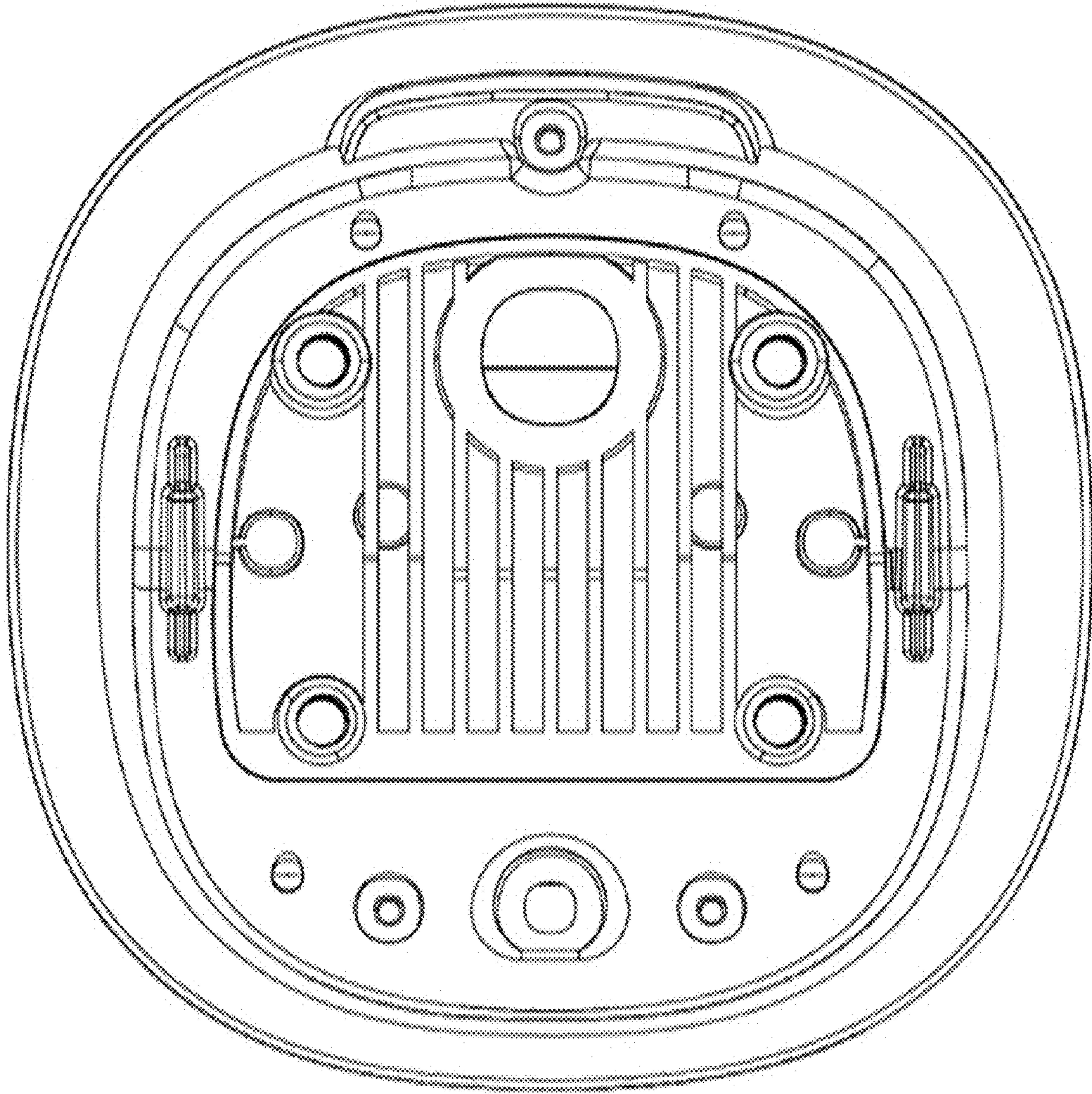
D852,390 S * 6/2019 Collins D26/28
 D863,615 S * 10/2019 Renvall D26/28
 D863,616 S * 10/2019 Renvall D26/28
 D863,617 S * 10/2019 Lindholm D26/28
 D866,818 S * 11/2019 Lindholm D26/28
 D867,629 S * 11/2019 Renvall B62J 6/023
 D26/28
 D868,313 S * 11/2019 Huang D26/28
 D869,704 S * 12/2019 Wu D26/28
 D882,835 S * 4/2020 Harriton D26/28
 D882,836 S * 4/2020 Dennis D26/28
 D883,540 S * 5/2020 Lin D26/28
 10,661,703 B2 * 5/2020 Hashimoto B62J 6/023
 D905,878 S * 12/2020 Finocchiaro F21V 29/74
 D26/28
 D917,085 S * 4/2021 Dong D26/28
 D925,789 S * 7/2021 Morelock D26/28
 D925,791 S * 7/2021 Chambers D26/28
 11,067,254 B1 * 7/2021 Johnson F21V 14/02
 D927,748 S * 8/2021 Zhang D26/28
 D935,066 S * 11/2021 Abina F21S 41/143
 D26/28
 2014/0016317 A1 * 1/2014 Adams F21V 29/74
 362/245
 2019/0093851 A1 * 3/2019 Johnson F21S 41/143

* cited by examiner

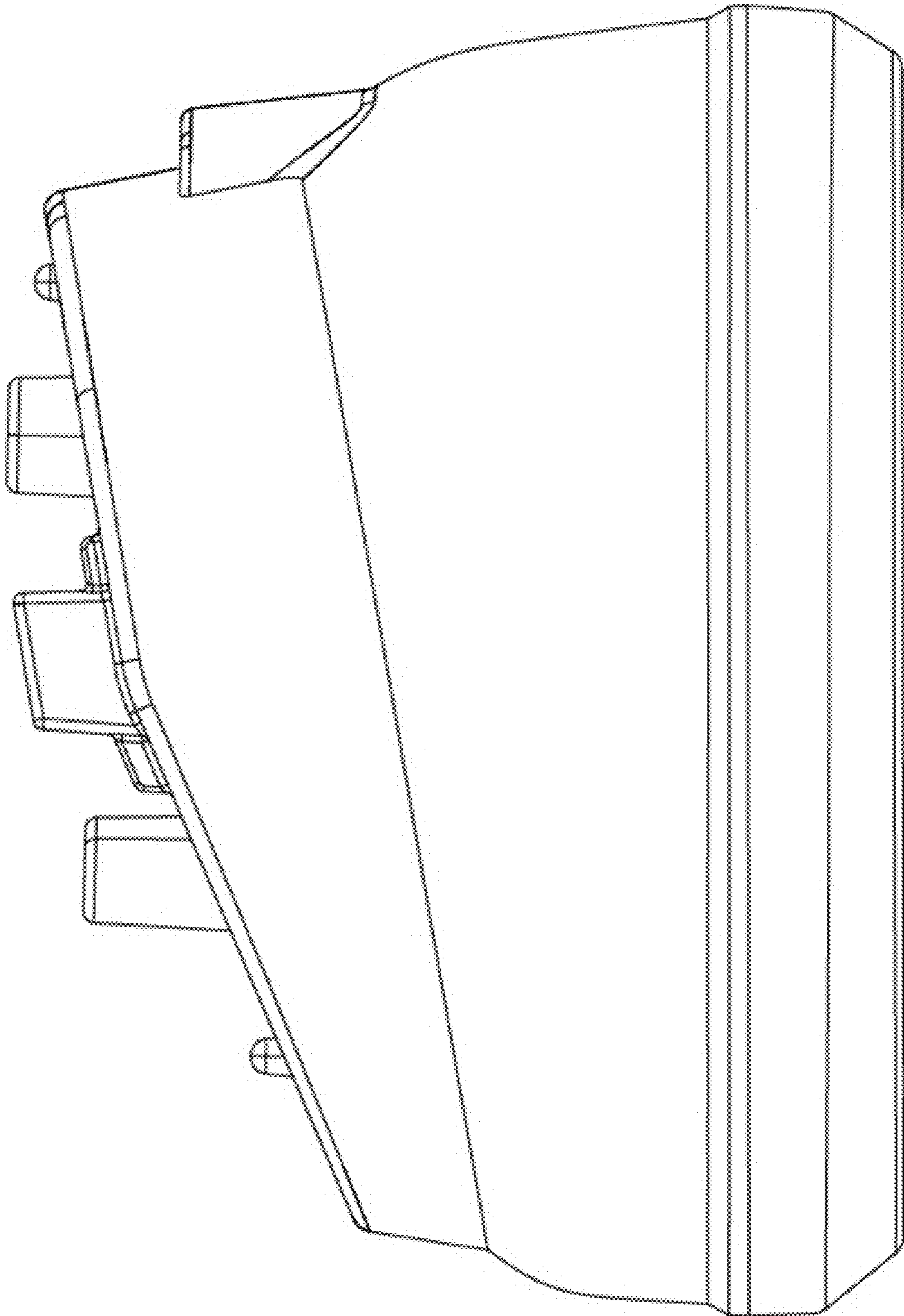
1.1



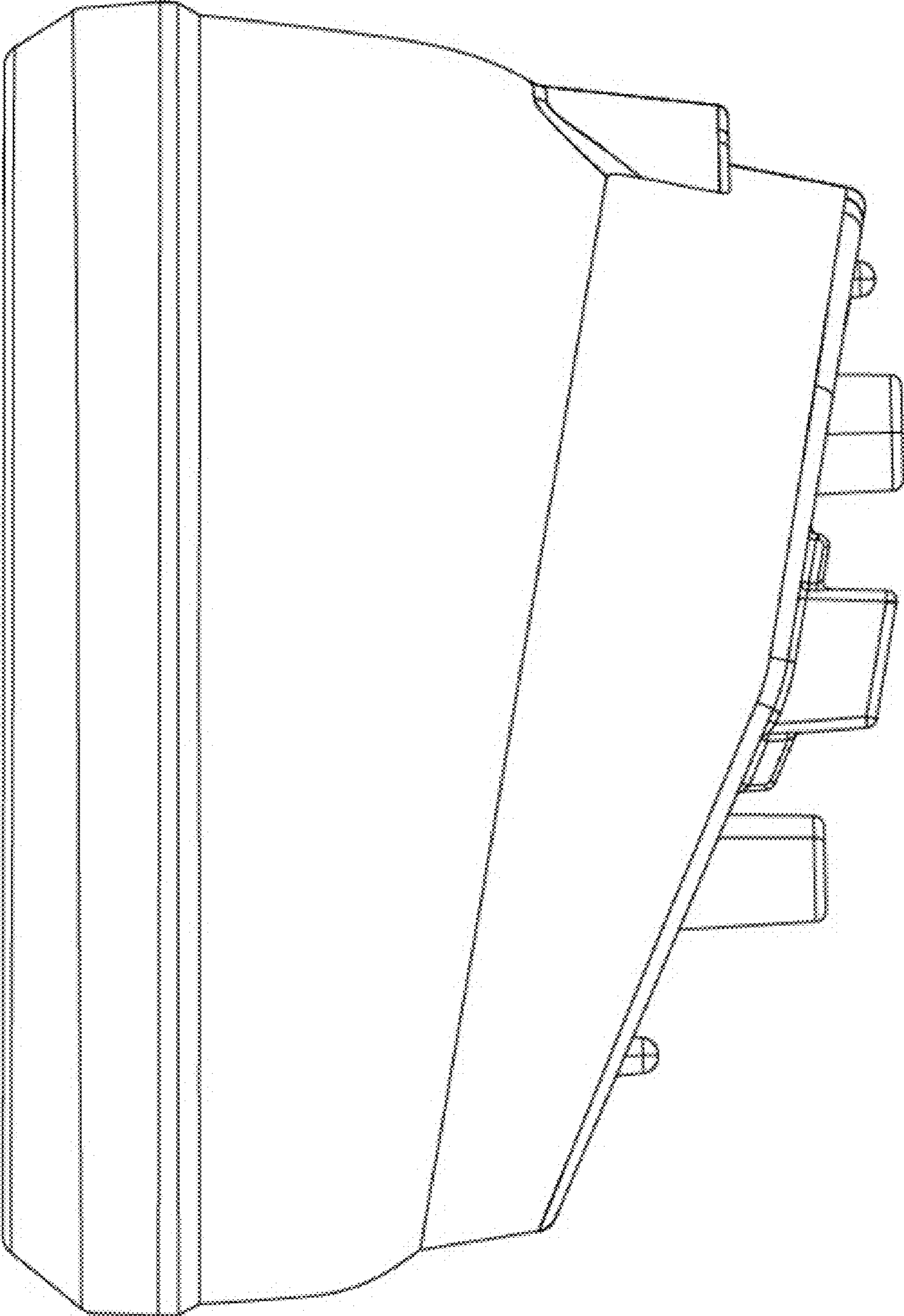
1.2



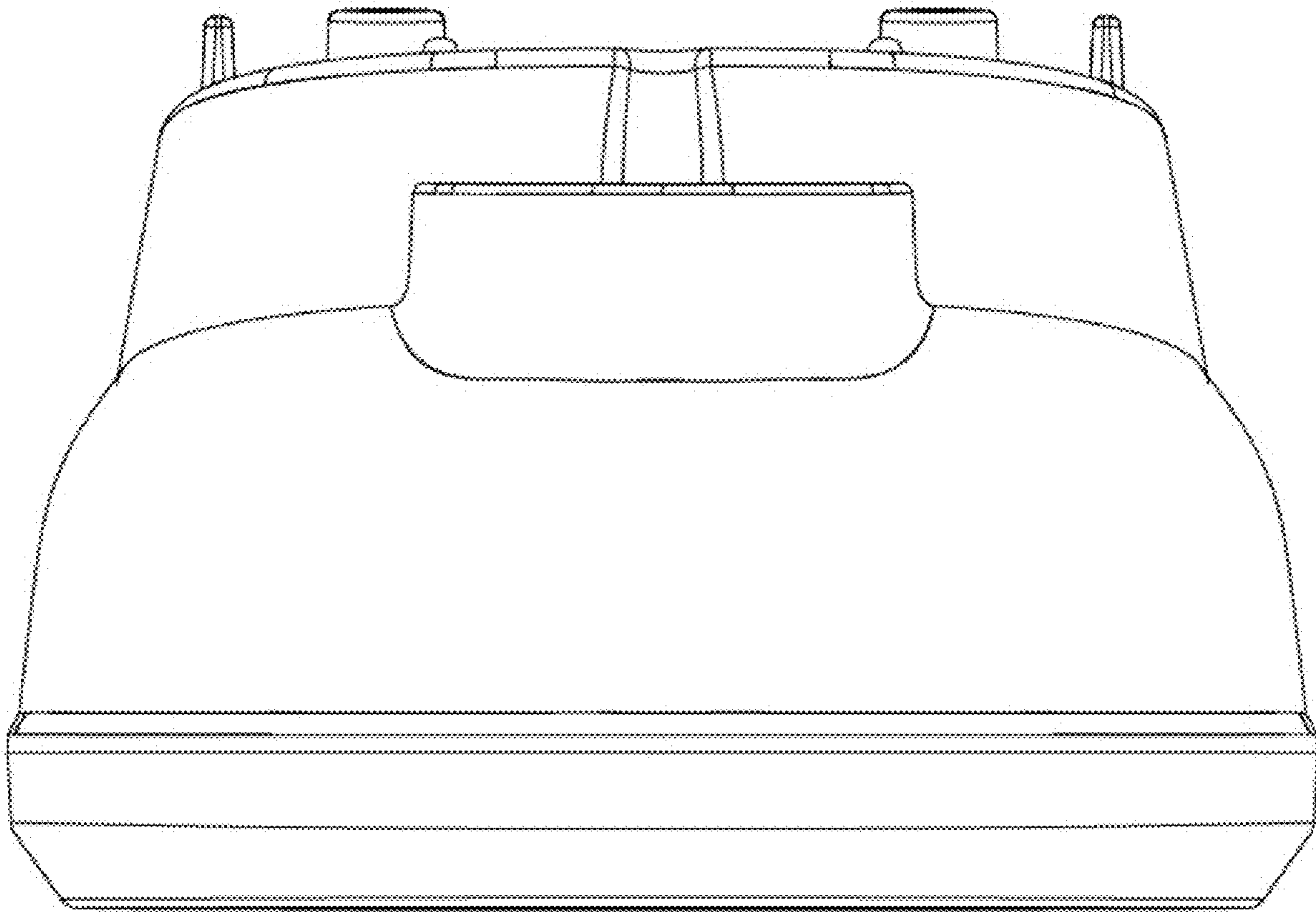
1.3



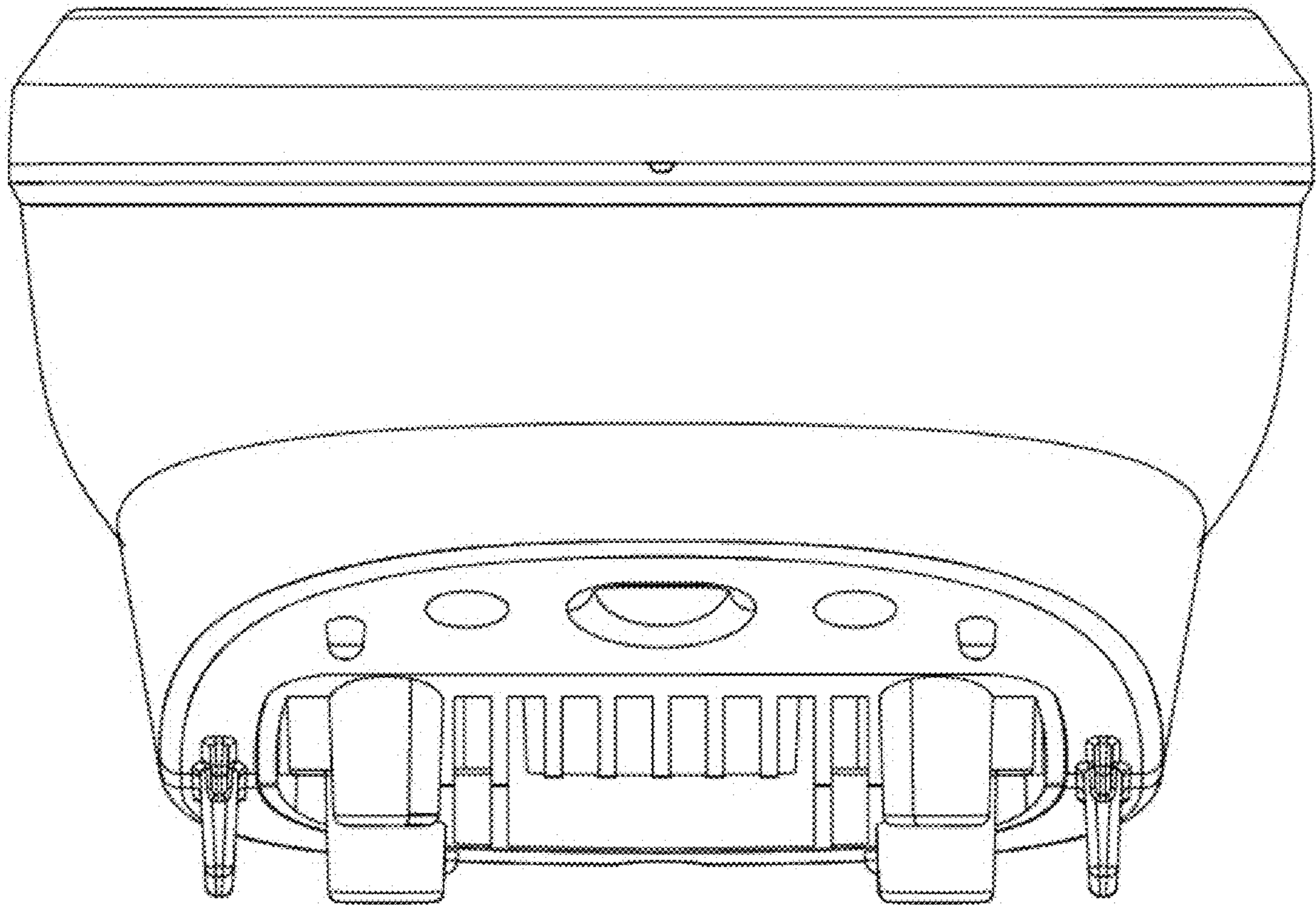
1.4



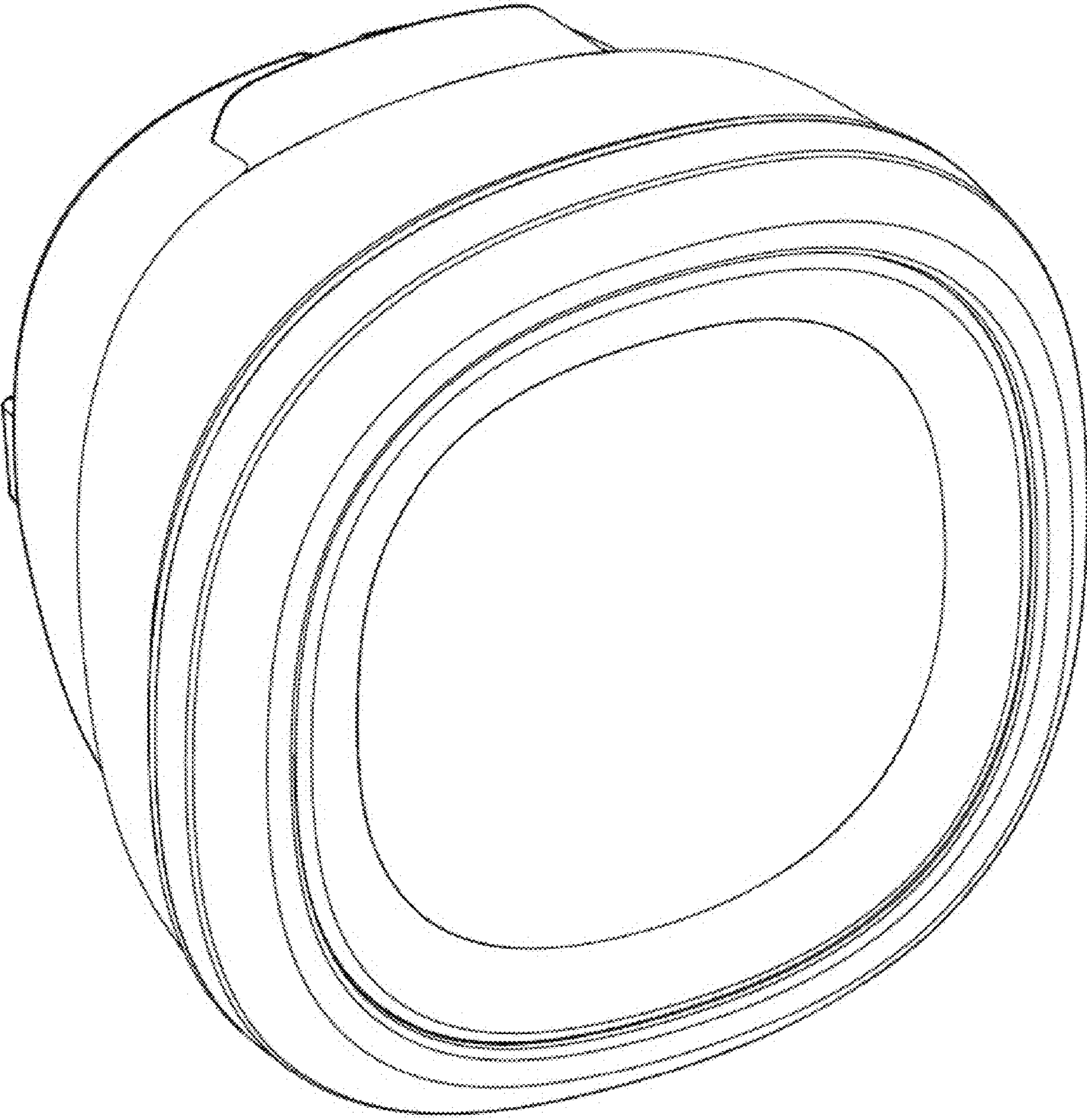
1.5



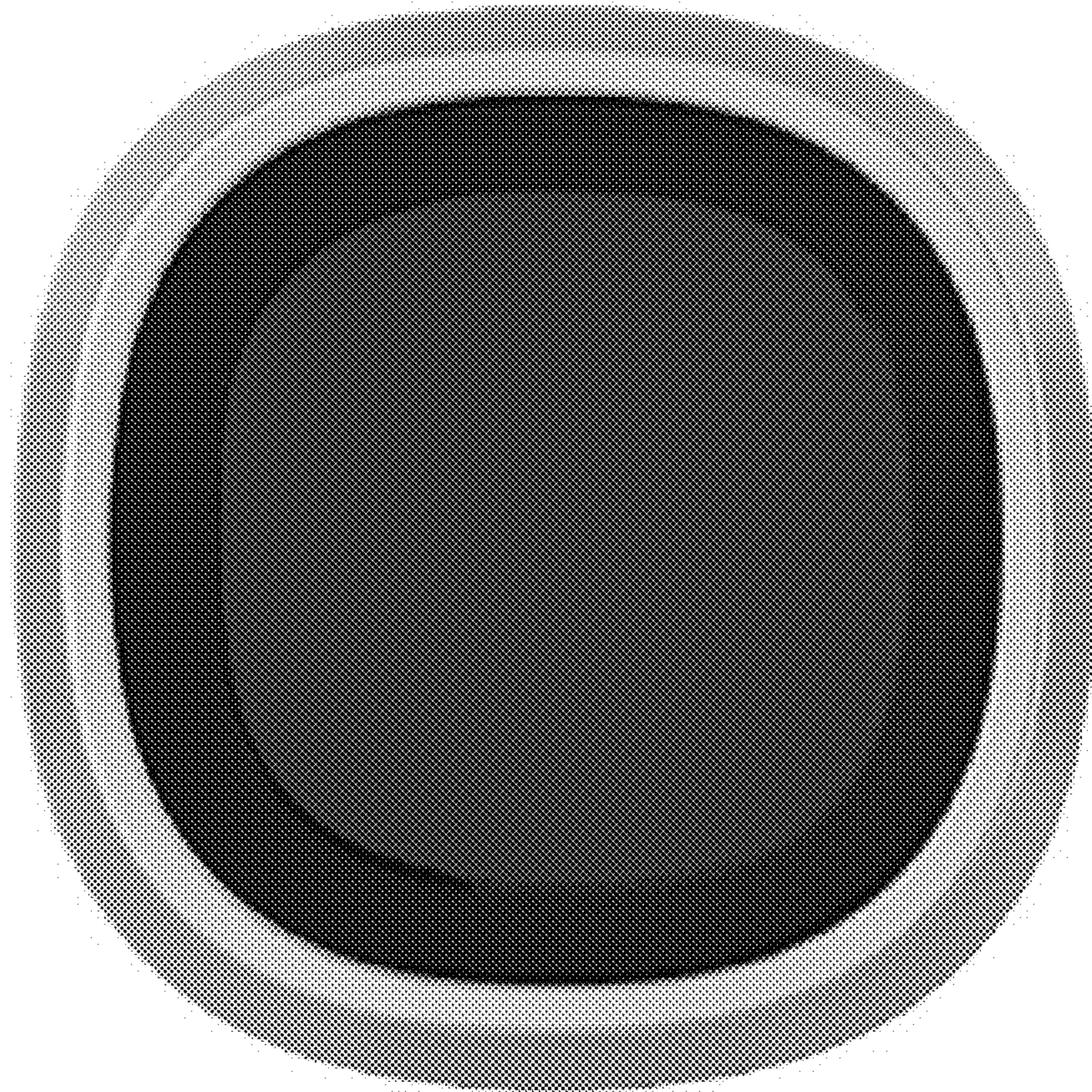
1.6



1.7



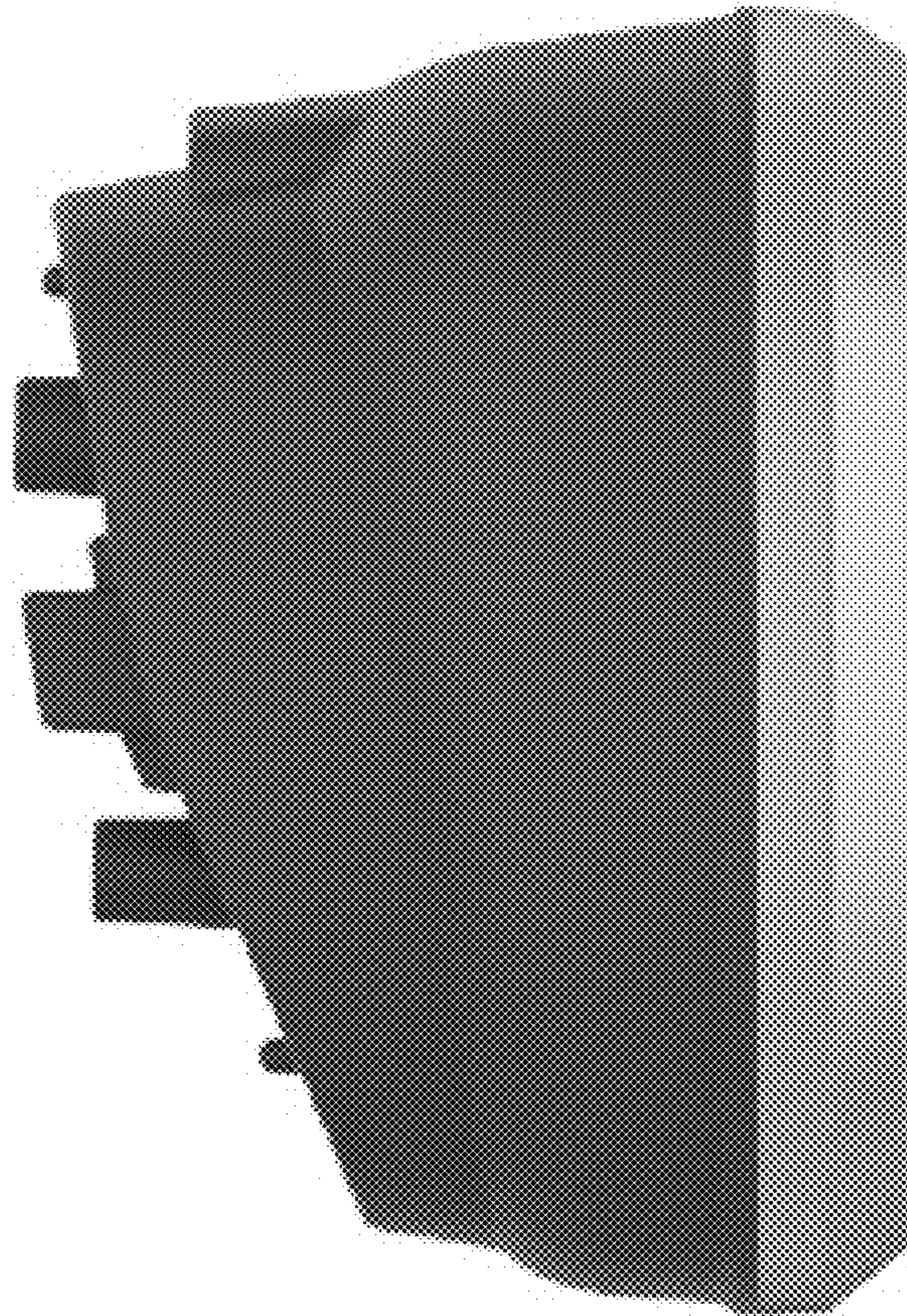
2.1



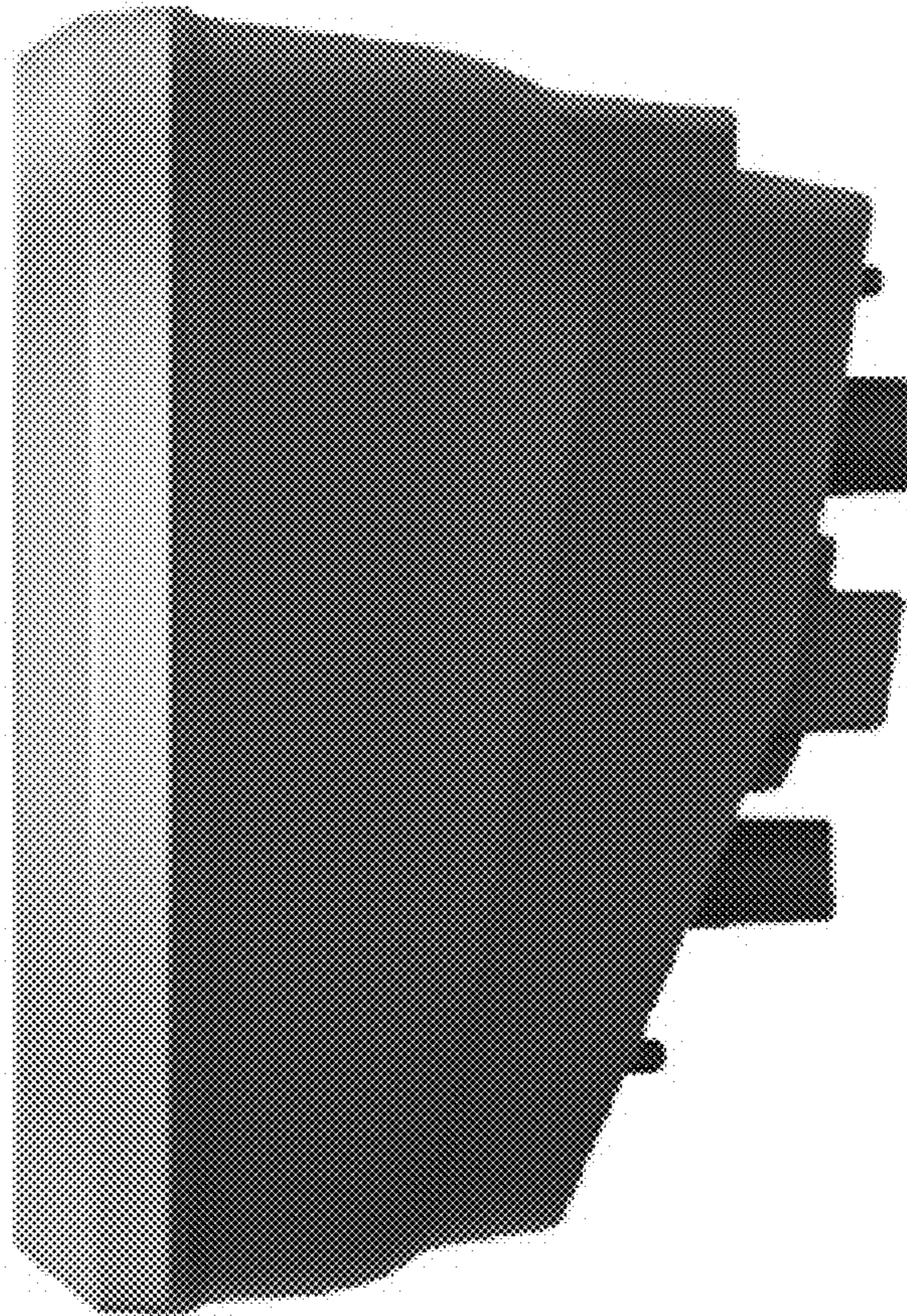
2.2



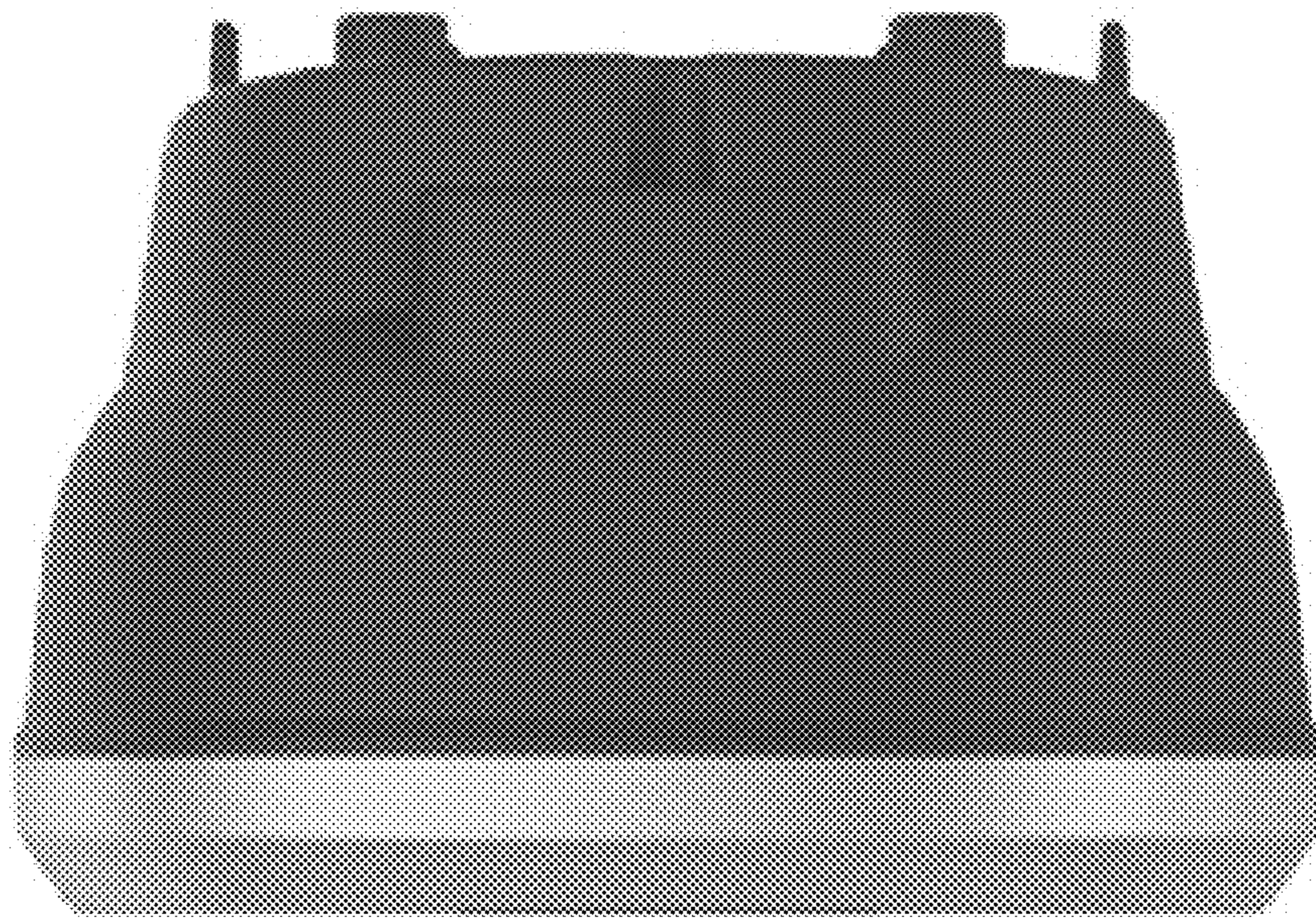
2.3



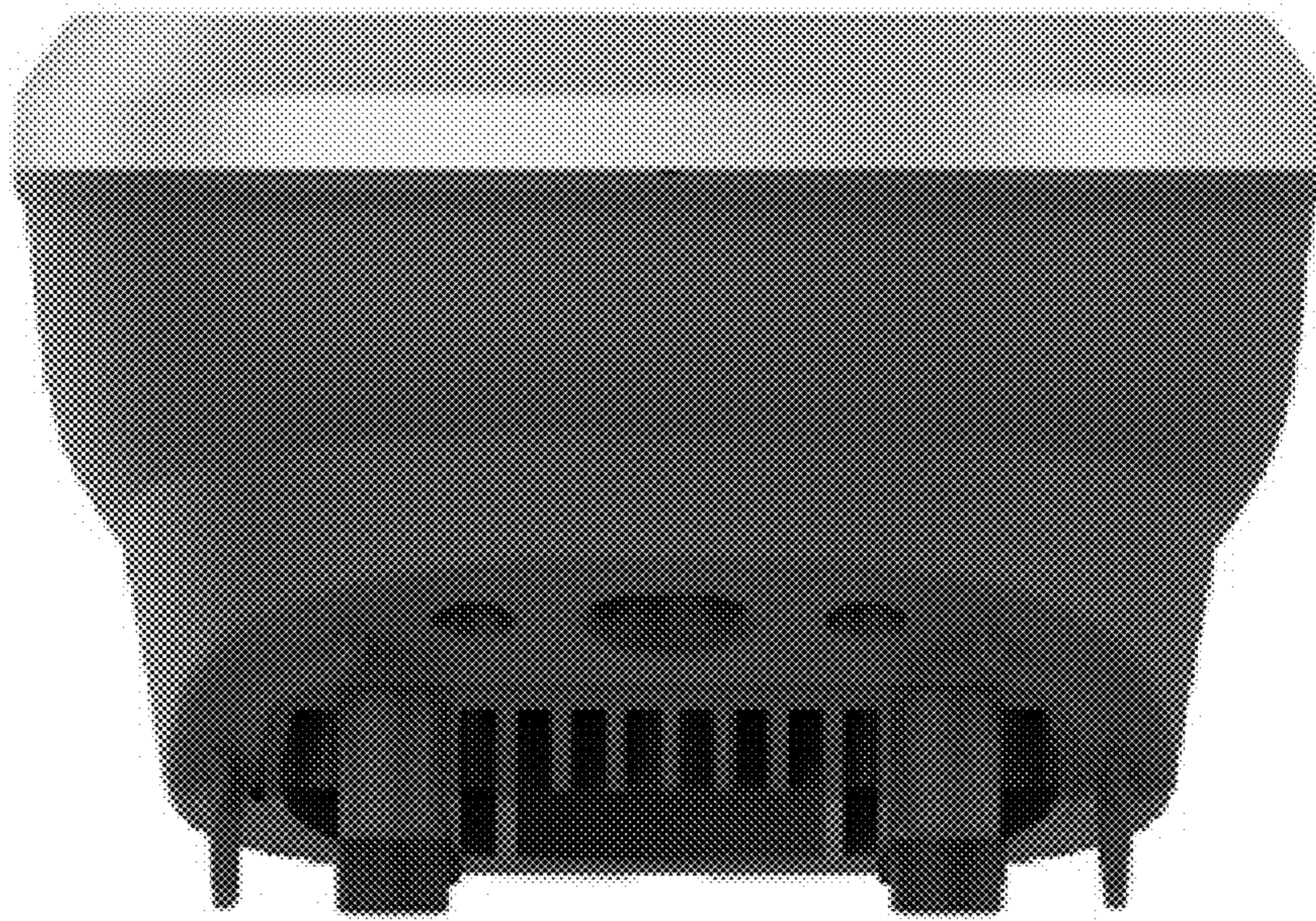
2.4



2.5



2.6



2.7

