



US00D944418S

(12) **United States Design Patent** (10) **Patent No.:** **US D944,418 S**
Frobosilo et al. (45) **Date of Patent:** **** Feb. 22, 2022**

(54) **DOUBLE-RETURN JOIST**

(57) **CLAIM**

(71) Applicant: **Super Stud Building Products, Inc.**,
Edison, NJ (US)

The ornamental design for a double-return joist, as shown and described.

(72) Inventors: **Raymond C. Frobosilo**, Edison, NJ
(US); **W. Donnell Allen**, Edison, NJ
(US)

DESCRIPTION

(73) Assignee: **SUPER STUD BUILDING PRODUCTS, INC.**, Edison, NJ (US)

FIG. 1 is a front, right, top perspective view of a double-return joist showing my design therefor;

(**) Term: **15 Years**

FIG. 2 is a right side elevational view thereof, the left side being a mirror image thereof;

(21) Appl. No.: **29/639,347**

FIG. 3 is a front elevational view thereof;

(22) Filed: **Mar. 6, 2018**

FIG. 4 is a rear elevational view thereof;

(51) **LOC (13) Cl.** **25-01**

FIG. 5 is a top plan view thereof;

(52) **U.S. Cl.**

FIG. 6 is a bottom plan view thereof;

USPC **D25/133**

FIG. 7 is a front, right, top perspective view of a second embodiment of a double-return joist showing my design therefor;

(58) **Field of Classification Search**

USPC D25/125-136; D8/354, 307, 310, 313,
D8/316, 317, 321, 322, 349, 355, 356,
D8/380

FIG. 8 is a right side elevational view thereof, the left side being a mirror image thereof;

(Continued)

FIG. 9 is a front elevational view thereof;

(56) **References Cited**

U.S. PATENT DOCUMENTS

D264,382 S * 5/1982 Ankarswed D25/131
D379,536 S * 5/1997 Pierce, Jr. D25/134

FIG. 10 is a rear elevational view thereof;

(Continued)

FIG. 11 is a top plan view thereof;

OTHER PUBLICATIONS

SuperJoist and SuperMaxx Joist Comparison <https://www.buysuperstud.com/products/structural-framing/supermaxx-joist> Jan. 25, 2021 (Year: 2021).*

FIG. 12 is a bottom plan view thereof;

(Continued)

FIG. 13 is a front, right, top perspective view of a third embodiment of a double-return joist showing my design therefor;

Primary Examiner — Samantha Q Lawrence

(74) *Attorney, Agent, or Firm* — Notaro, Michalos & Zaccaria P.C.

FIG. 14 is a right side elevational view thereof, the left side being a mirror image thereof;

FIG. 15 is a front elevational view thereof;

FIG. 16 is a rear elevational view thereof;

FIG. 17 is a top plan view thereof;

FIG. 18 is a bottom plan view thereof;

FIG. 19 is a front, right, top perspective view of a fourth embodiment of a double-return joist showing my design therefor;

FIG. 20 is a right side elevational view thereof, the left side being a mirror image thereof;

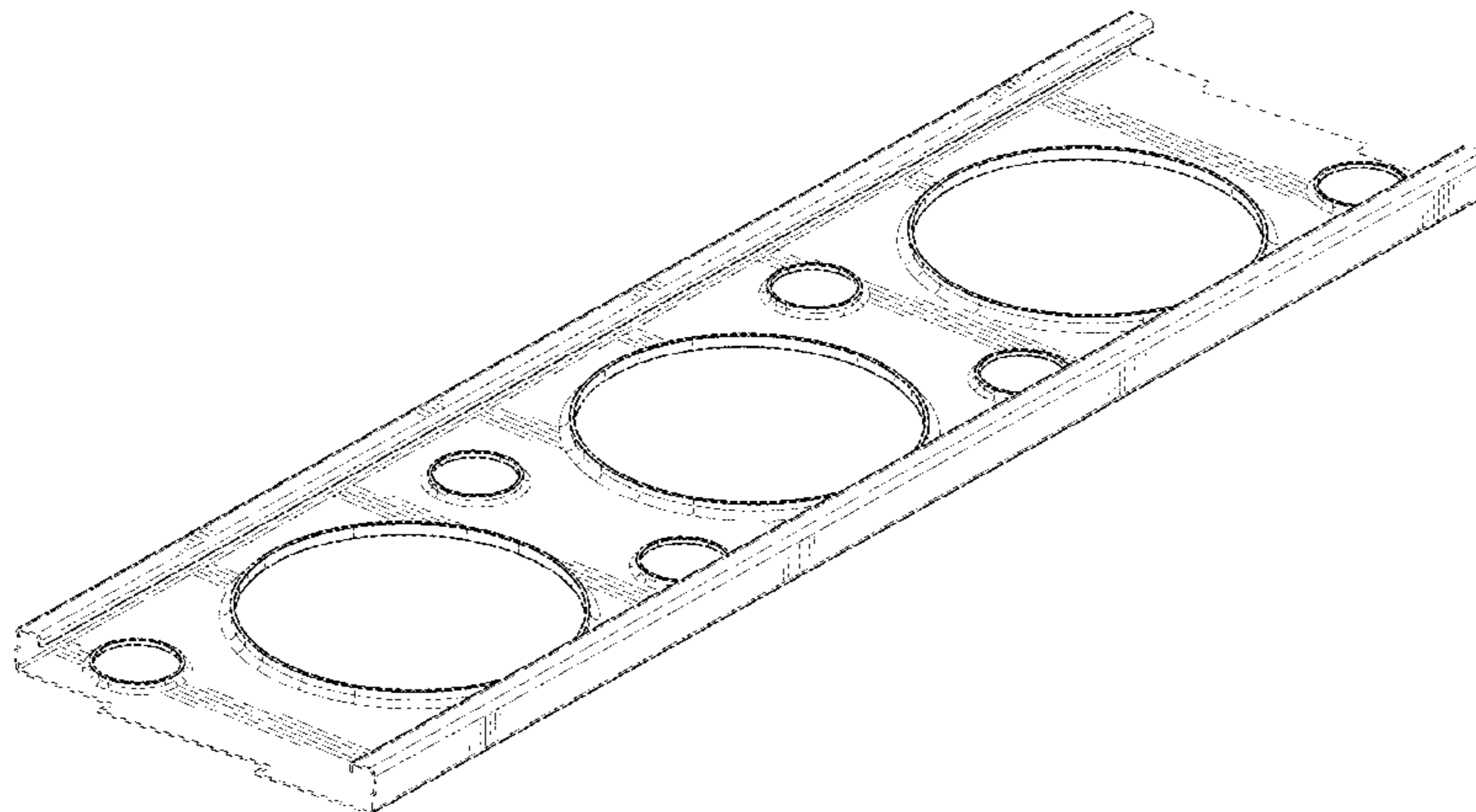
FIG. 21 is a front elevational view thereof;

FIG. 22 is a rear elevational view thereof;

FIG. 23 is a top plan view thereof; and,

FIG. 24 is a bottom plan view thereof.

(Continued)



In the figures, broken lines represent break lines of the double-return joist that form no part of the claim.

1 Claim, 16 Drawing Sheets

(58) Field of Classification Search

CPC E04C 2003/0421; E04C 2003/0434; E04C 2003/0452; E04C 3/06; E04C 2003/023; E04C 2003/0413; E04C 3/14; B32B 15/043; B32B 2419/00; B32B 2607/00; B32B 2607/02; E04B 1/5812; E04B 2001/2457

See application file for complete search history.

(56) References Cited

U.S. PATENT DOCUMENTS

D409,078 S	5/1999	Bolt	
D454,403 S *	3/2002	Naccarato	D25/128
D505,737 S *	5/2005	Beranek	D25/136
D607,123 S *	12/2009	Charette	D25/132
D608,468 S *	1/2010	Naccarato	D25/125
D608,469 S *	1/2010	Naccarato	D25/125
D608,470 S *	1/2010	Naccarato	D25/125
D610,717 S *	2/2010	Lin	E04H 12/2261 D25/133
D621,964 S	8/2010	Zadeh	
D639,585 S *	6/2011	Shen	D6/712
D639,586 S *	6/2011	Selinger	D6/712
D639,587 S *	6/2011	Selinger	D6/712

D672,476 S *	12/2012	Field	E04B 9/068 D25/61
D690,833 S	10/2013	Edwards	
D692,746 S	11/2013	Lawson et al.	
D702,533 S	4/2014	Noturno	
D718,884 S *	12/2014	Thrush	D25/125
D730,545 S	5/2015	Stauffer et al.	
D730,759 S	6/2015	Federspiel	
D732,708 S	6/2015	Stauffer et al.	
D738,589 S	9/2015	Pelc et al.	
D748,459 S	2/2016	Bohne	
D751,222 S	3/2016	Darr, III et al.	
D751,733 S	3/2016	Darr, III et al.	
D757,521 S	5/2016	Rosner	
D763,061 S	8/2016	Ezell	
D763,661 S	8/2016	Ezell	
D763,662 S	8/2016	Ezell	
D769,698 S	10/2016	Oltrogge	
D779,312 S	2/2017	Stanley	
D796,063 S	8/2017	Dettbarn	
D813,420 S *	3/2018	Rosner	D25/133
D815,758 S *	4/2018	Hendry	D25/126
D856,282 S *	8/2019	Pillsbury	D13/133
D880,007 S *	3/2020	Aasness	D25/61
D892,599 S *	8/2020	Witherbee	D8/354

OTHER PUBLICATIONS

Super Stud Launches New SuperMAXX Steel Joist & Stud System
<https://www.buysuperstud.com/news/general-news/super-stud-launches-new-supermaxx-steel-joist-stud-system> Apr. 30, 2019 (Year: 2019).*

* cited by examiner

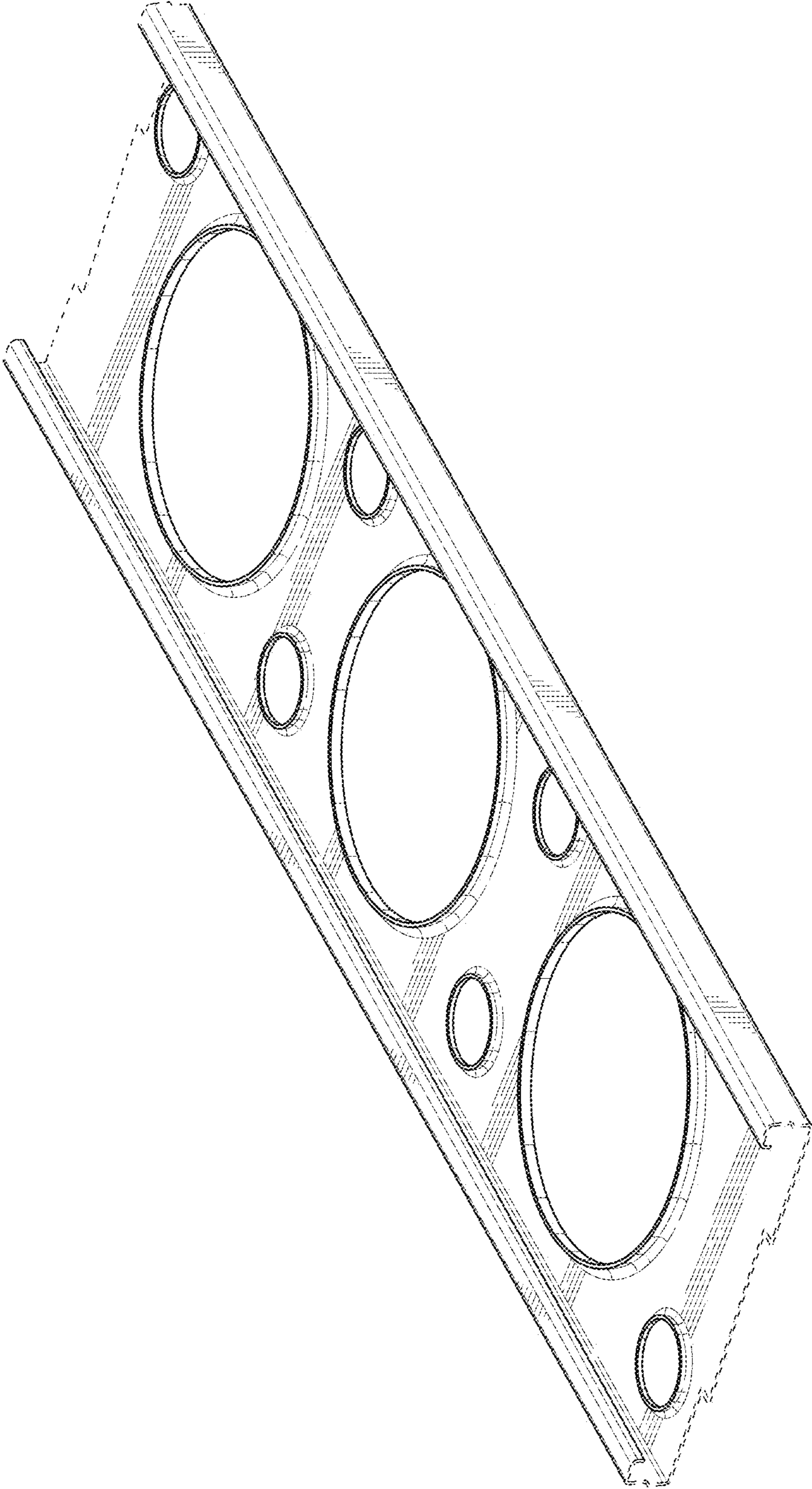


FIG. 1



FIG. 2



FIG. 4



FIG. 3

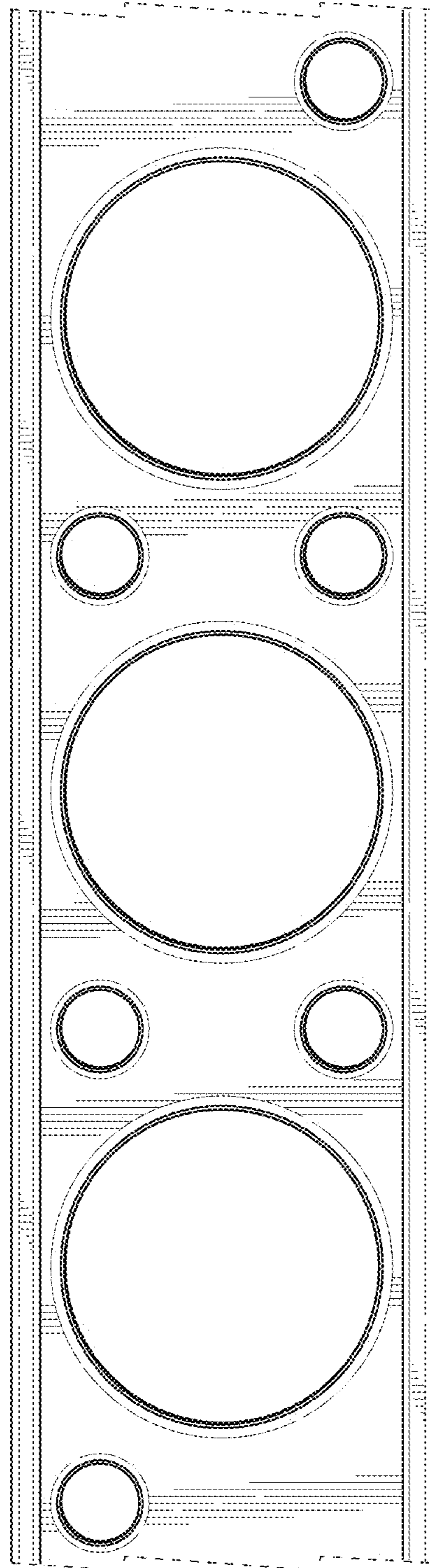


FIG. 5

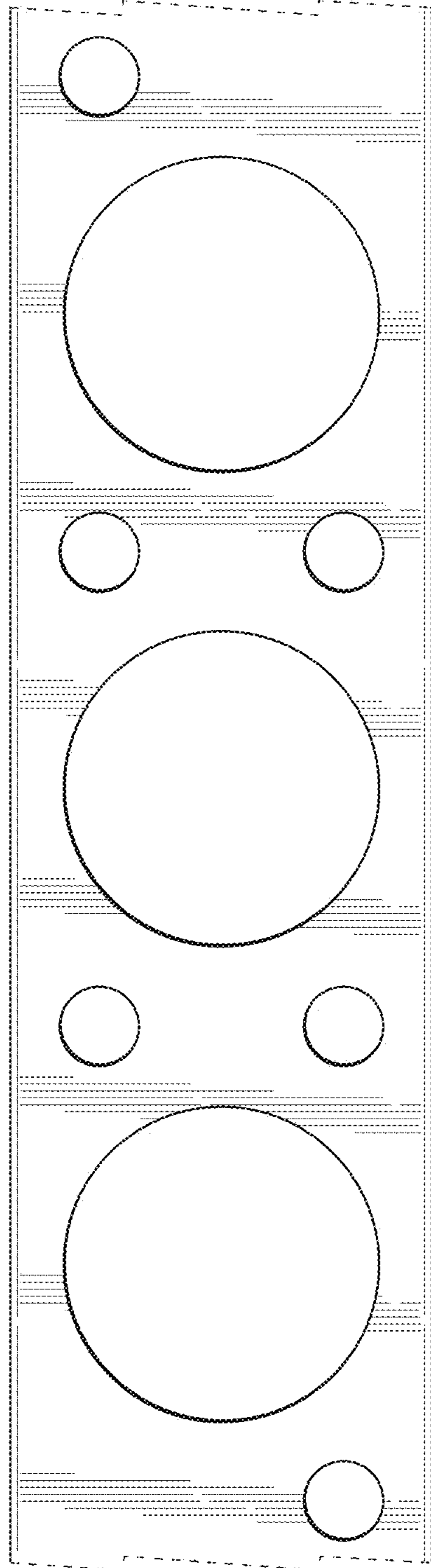


FIG. 6

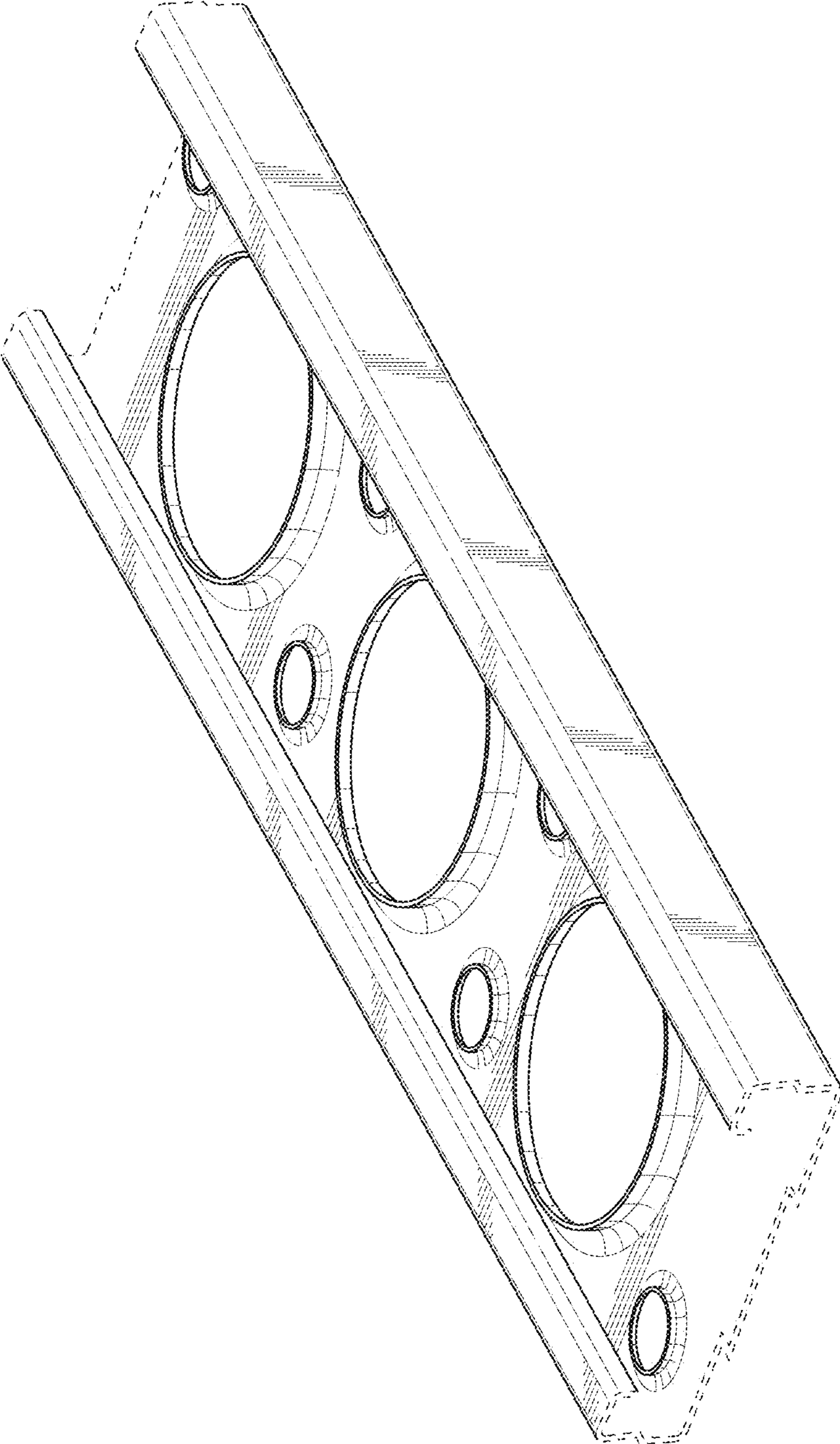


FIG. 7

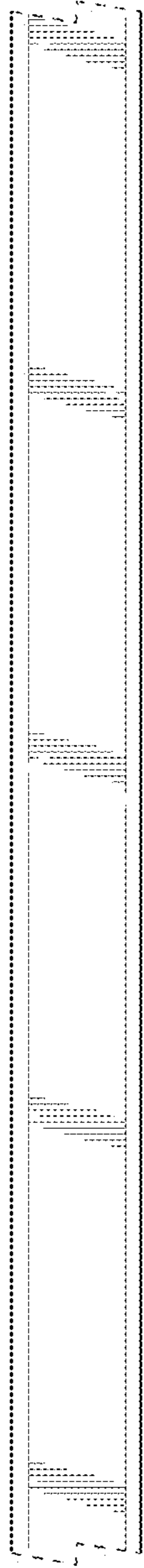


FIG. 8



FIG. 10

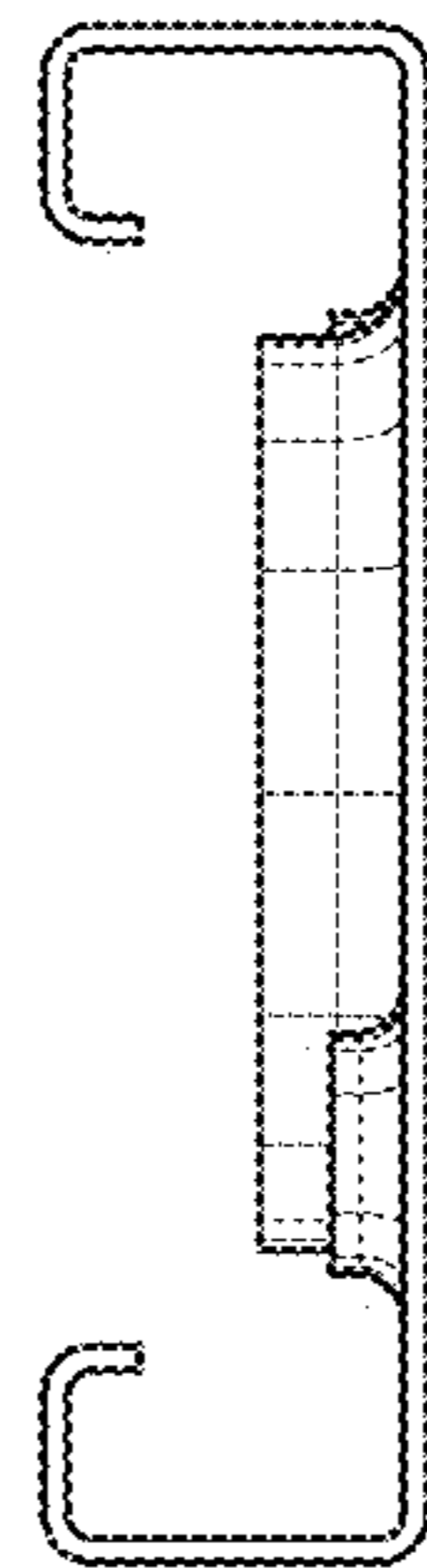


FIG. 9

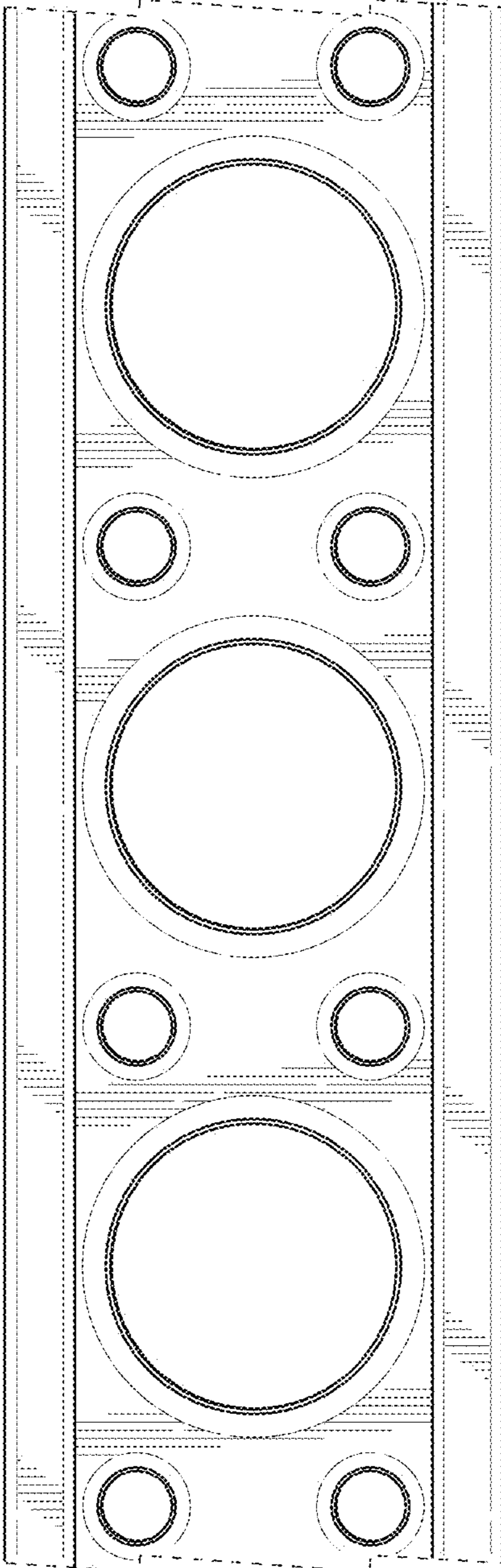


FIG. 11

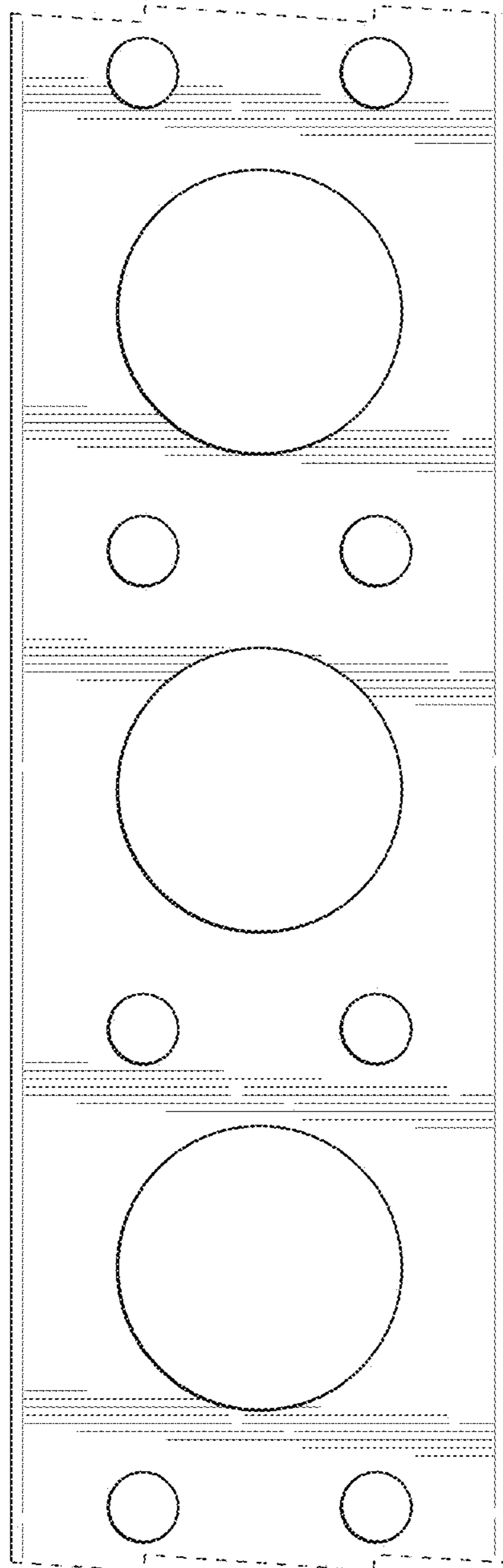


FIG. 12

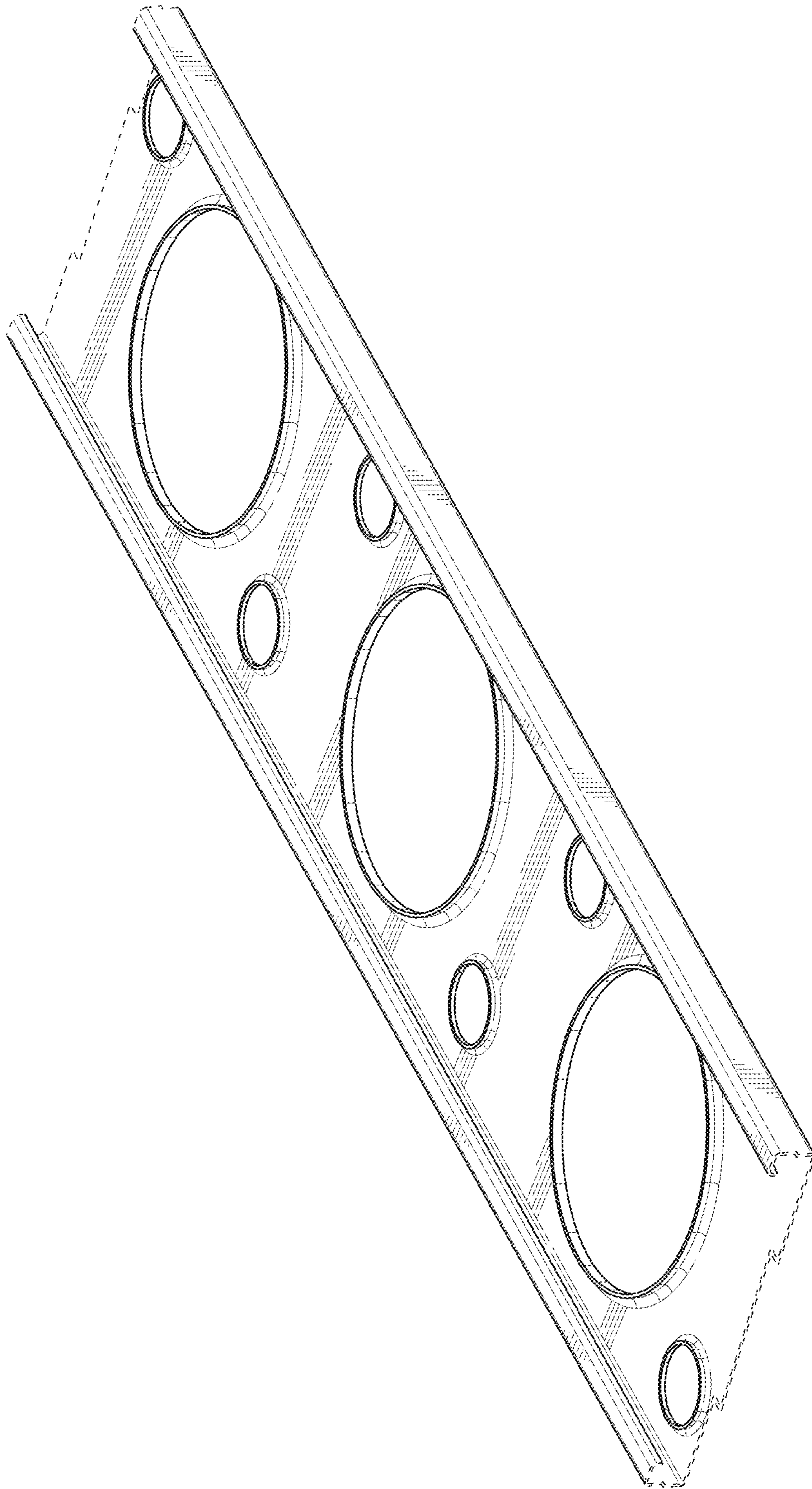


FIG. 13

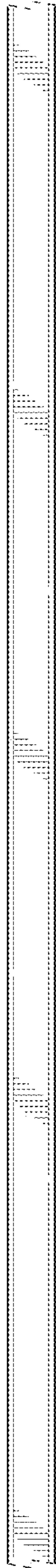


FIG. 14

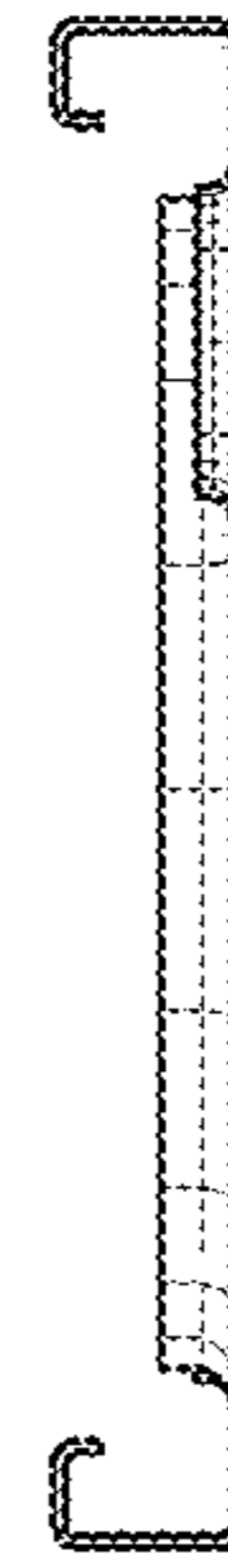


FIG. 15

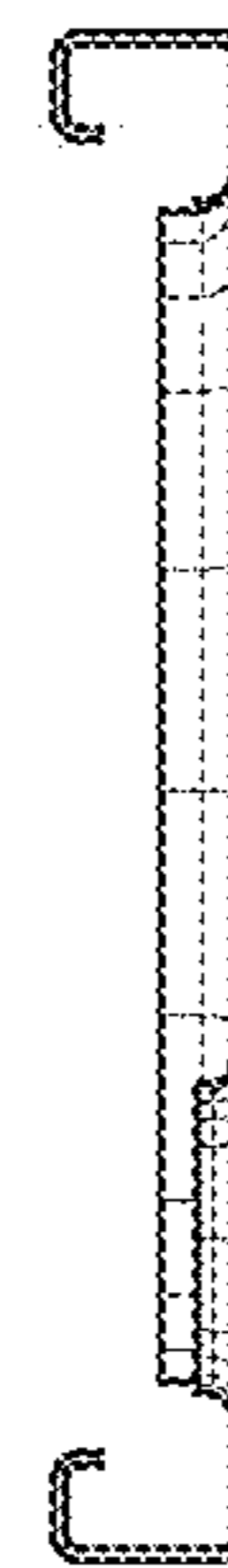


FIG. 16

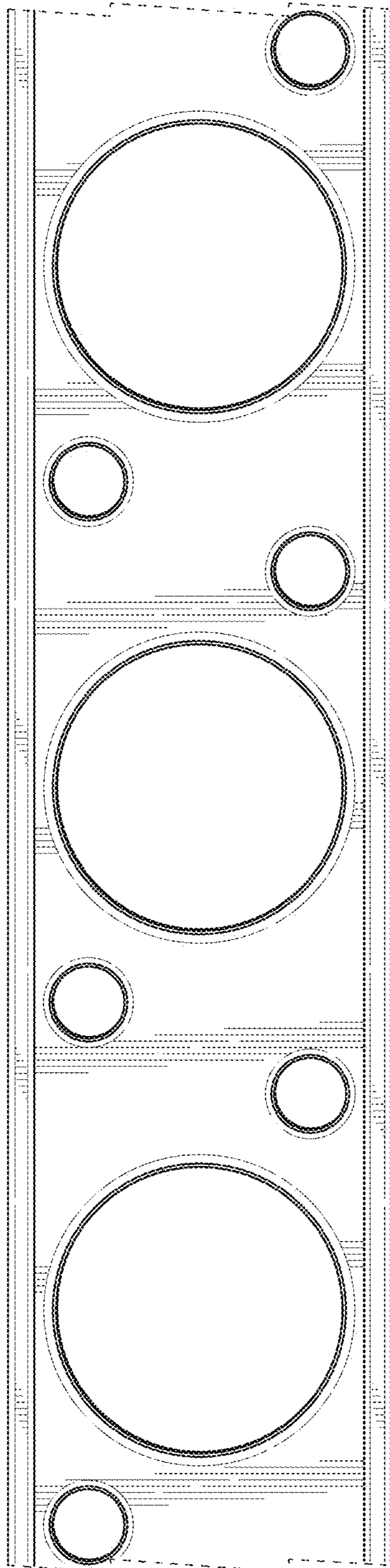


FIG. 17

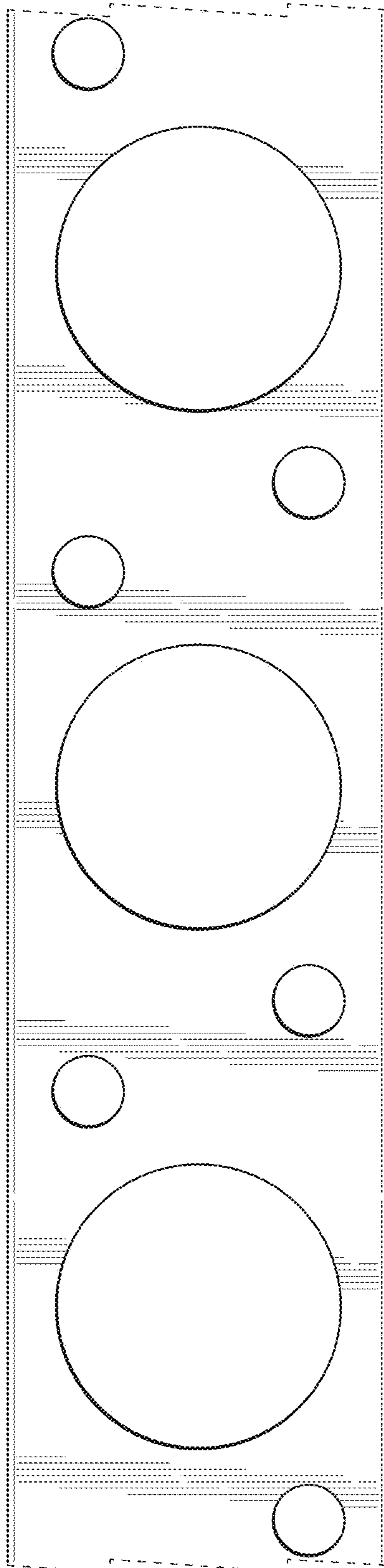


FIG. 18

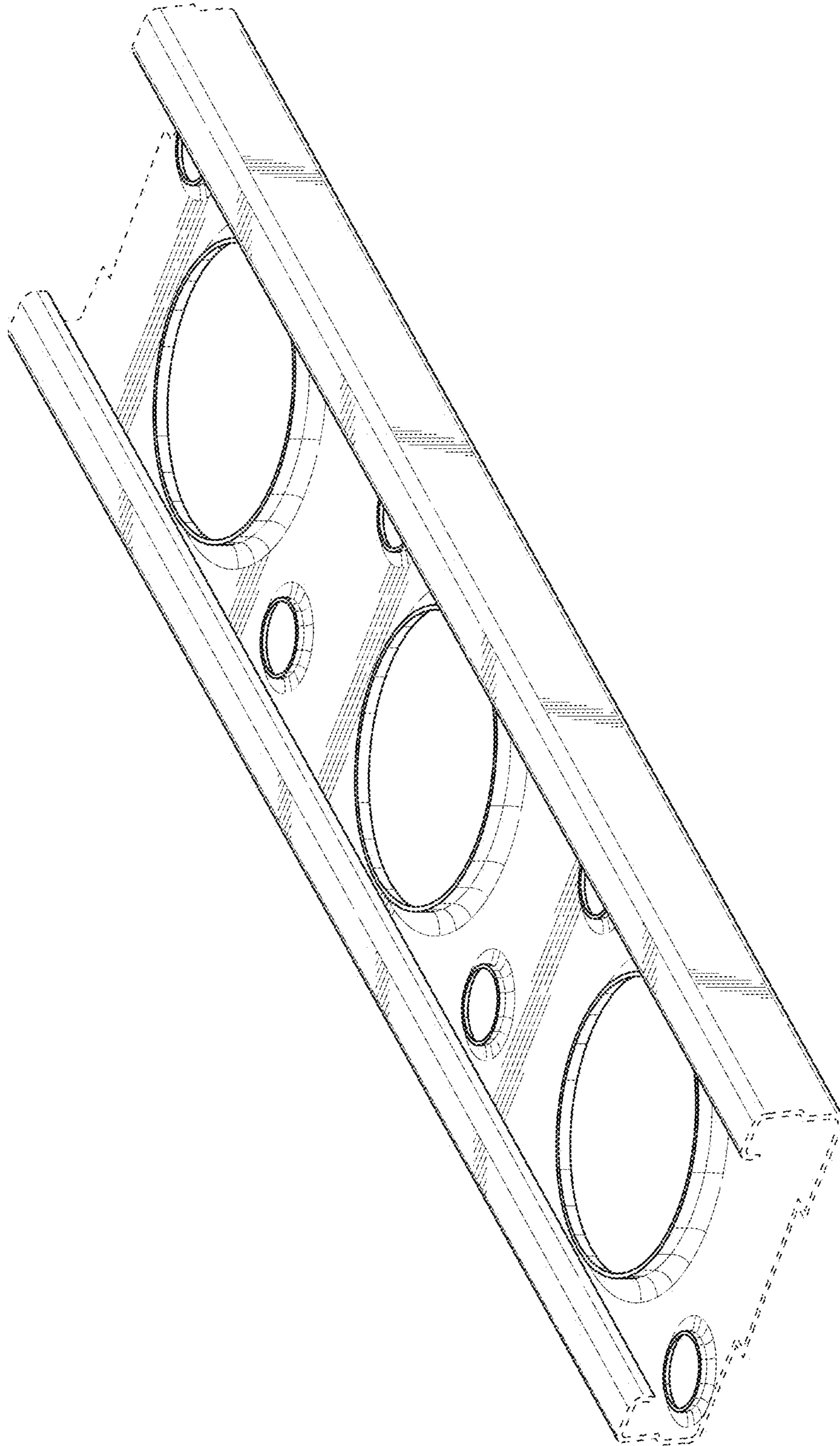


FIG. 19

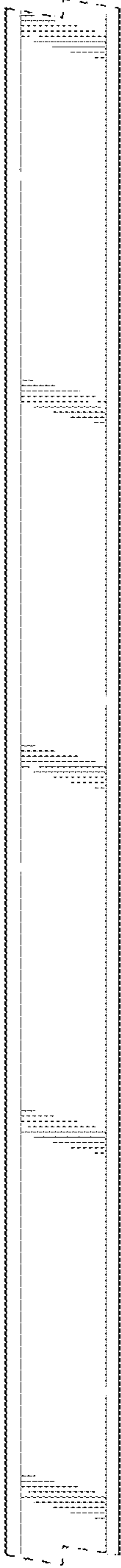


FIG. 20

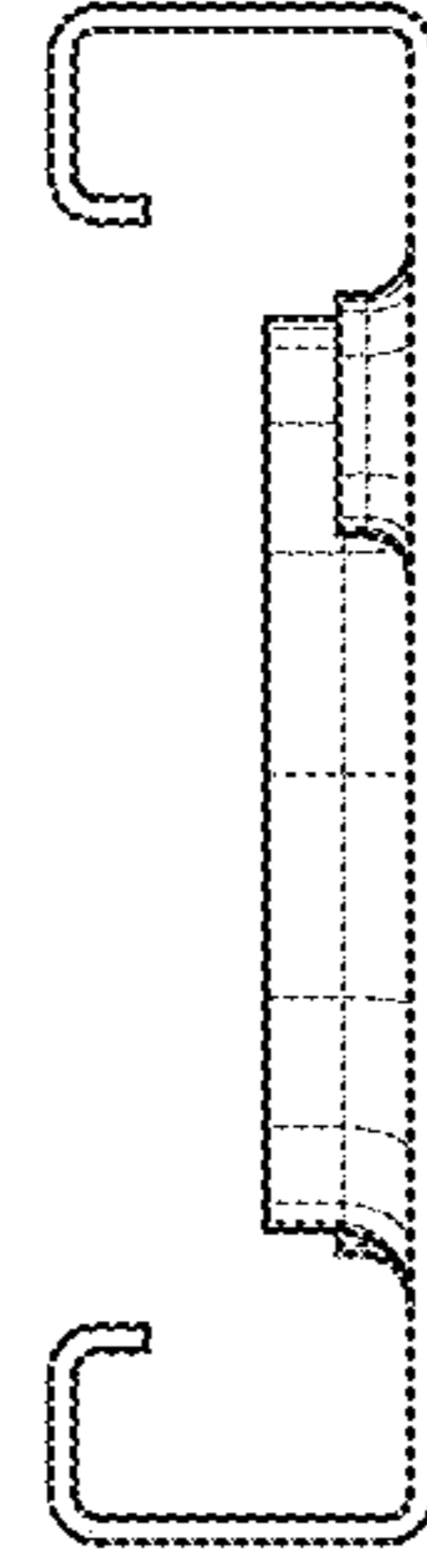


FIG. 22

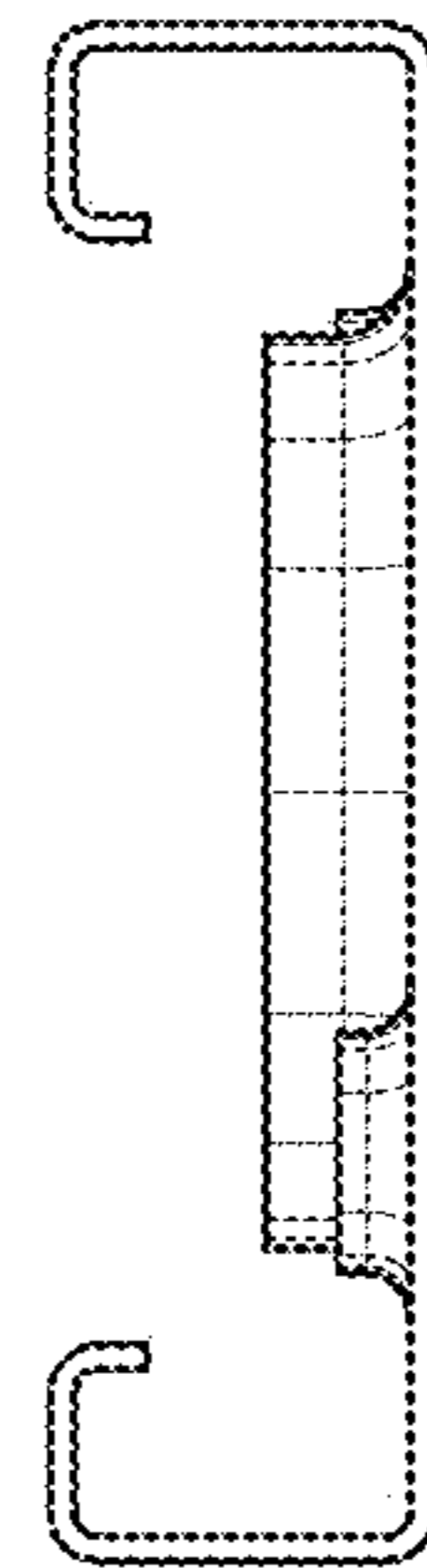


FIG. 21

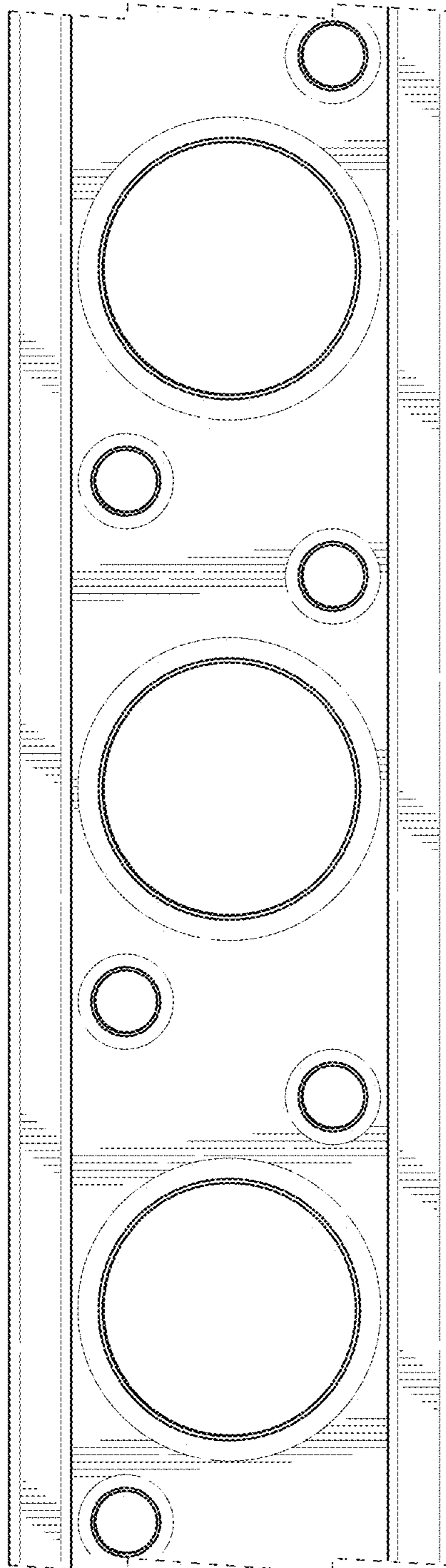


FIG. 23

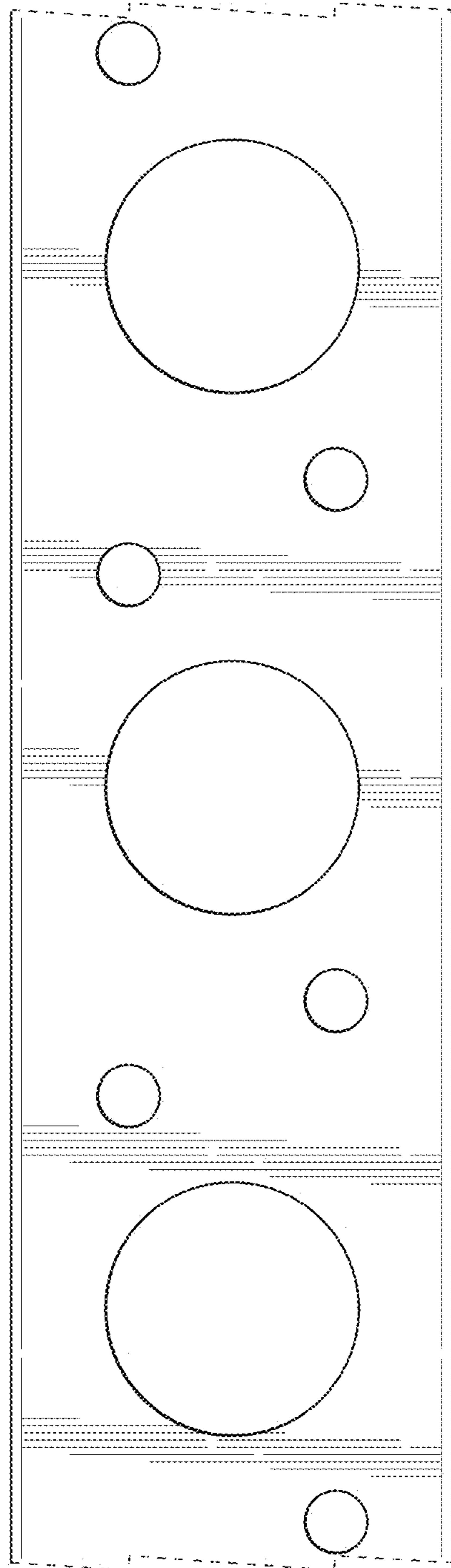


FIG. 24