



US00D944417S

(12) **United States Design Patent**
Maxfield et al.

(10) **Patent No.:** **US D944,417 S**
(45) **Date of Patent:** **** Feb. 22, 2022**

- (54) **TOP CAP FOR A LADDER**
- (71) Applicant: **LITTLE GIANT LADDER SYSTEMS, LLC**, Springville, UT (US)
- (72) Inventors: **B. Scott Maxfield**, Mapleton, UT (US);
N. Ryan Moss, Mapleton, UT (US);
Brian B. Russell, Saratoga Springs, UT (US)
- (73) Assignee: **LITTLE GIANT LADDER SYSTEMS, LLC**, Springville, UT (US)
- (**) Term: **15 Years**
- (21) Appl. No.: **29/771,366**
- (22) Filed: **Feb. 22, 2021**

D310,884 S 9/1990 Patton et al.
5,228,511 A 7/1993 Boquel et al.
D340,773 S 10/1993 Bartnicki et al.
(Continued)

FOREIGN PATENT DOCUMENTS

CA 2881525 A1 9/2015
KR 200146389 Y1 6/1999

OTHER PUBLICATIONS

International Search Report and Written Opinion dated Nov. 13, 2019 for International Application No. PCT/US2019/036172.
(Continued)

Primary Examiner — Gino Colan
(74) *Attorney, Agent, or Firm* — Dorsey & Whitney LLP

(57) **CLAIM**

The ornamental design for a top cap for a ladder, as shown and described.

DESCRIPTION

FIG. 1 is a front perspective view of a top cap for a ladder showing our new design;
FIG. 2 is a rear perspective view of the top cap for a ladder shown in FIG. 1;
FIG. 3 is a front view of the top cap for a ladder shown in FIG. 1;
FIG. 4 is a rear view of the top cap for a ladder shown in FIG. 1;
FIG. 5 is a is right side view of the top cap for a ladder shown in FIG. 1;
FIG. 6 is a left side view of the top cap for a ladder shown in FIG. 1;
FIG. 7 is a top view of the top cap shown in FIG. 1; and,
FIG. 8 is a bottom view of the top cap for a ladder shown in FIG. 1.

Any broken lines shown in the figures are for the purpose of illustrating boundaries and form no part of the claimed design.

1 Claim, 7 Drawing Sheets

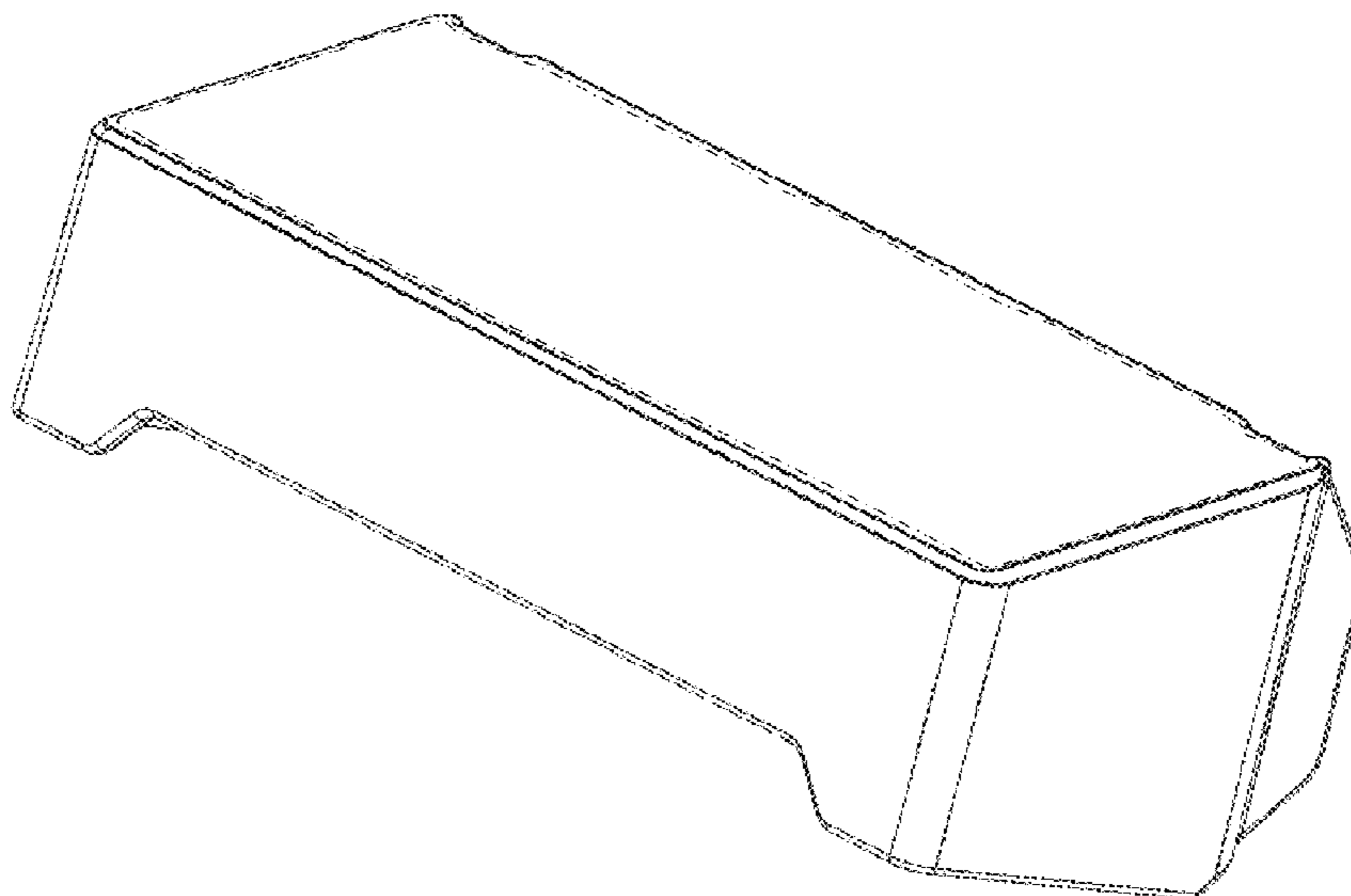
Related U.S. Application Data

- (62) Division of application No. 29/679,726, filed on Feb. 8, 2019, now Pat. No. Des. 911,555.
- (51) **LOC (13) Cl.** **25-04**
- (52) **U.S. Cl.**
USPC **D25/68**
- (58) **Field of Classification Search**
USPC D25/62–69; 182/206
CPC ... E06C 7/48; E06C 7/14; E06C 7/488; E06C 7/143; E06C 1/36; E06C 7/50; E06C 7/086; E06C 7/188; E06C 7/182
See application file for complete search history.

(56) **References Cited**

U.S. PATENT DOCUMENTS

507,784 A 10/1893 Congdon
1,024,380 A 4/1912 Vierheller
2,316,939 A 4/1943 De Luca
2,639,853 A 5/1953 Pierce
2,899,008 A 8/1959 Larson
4,560,030 A 12/1985 Mucelli



(56)

References Cited

U.S. PATENT DOCUMENTS

5,573,081 A 11/1996 Bartnicki et al.
 D388,883 S 1/1998 Thivierge et al.
 5,937,968 A 8/1999 Gibson et al.
 6,866,117 B2 3/2005 Moss
 D576,291 S 9/2008 Latimer
 D597,685 S 8/2009 Gibson et al.
 7,575,097 B2 8/2009 Sheridan et al.
 7,753,170 B1 7/2010 Gibson
 7,886,872 B2 2/2011 Astor et al.
 8,186,481 B2 5/2012 Moss et al.
 8,210,313 B2 7/2012 Astor
 9,016,434 B2 4/2015 Moss et al.
 D764,073 S 8/2016 Wang
 D766,461 S 9/2016 Peterson et al.
 D766,462 S * 9/2016 Moss D25/64
 D766,463 S * 9/2016 Moss D25/68
 D819,834 S 6/2018 Fiedeler
 10,087,682 B2 10/2018 Pfeifer
 D840,055 S 2/2019 Skubic et al.
 10,487,576 B2 * 11/2019 Ballard E06C 1/22
 10,487,578 B2 11/2019 Smith et al.
 10,590,703 B2 3/2020 Parker et al.
 10,597,941 B2 * 3/2020 Moss E06C 7/14
 10,612,305 B2 4/2020 Mora et al.
 D885,607 S 5/2020 Miner et al.
 D911,555 S * 2/2021 Maxfield D25/68
 D912,847 S * 3/2021 Maxfield D25/68
 2003/0188923 A1 10/2003 Moss
 2005/0173194 A1 8/2005 Pate et al.

2006/0060423 A1 3/2006 Astor
 2008/0107529 A1 5/2008 Friedman
 2010/0200331 A1 8/2010 Hager
 2011/0024232 A1 2/2011 Leng
 2012/0097481 A1 4/2012 Schienke et al.
 2016/0076304 A1 3/2016 Smith et al.
 2016/0348434 A1 12/2016 Williams et al.
 2017/0130530 A1 5/2017 Lawler et al.
 2017/0152710 A1 6/2017 Miller
 2017/0356244 A1 12/2017 Peterson et al.
 2018/0002982 A1 1/2018 Dressel
 2018/0171714 A1 6/2018 Dings
 2018/0230746 A1 8/2018 Maxfield et al.
 2018/0258698 A1 9/2018 Minock
 2018/0298691 A1 10/2018 Cook et al.
 2019/0376341 A1 12/2019 Maxfield et al.
 2020/0048962 A1 2/2020 Moreno Moncada

OTHER PUBLICATIONS

International Search Report and Written Opinion for International Application No. PCT/US2020/015074 dated Apr. 1, 2020.
 U.S. Appl. No. 29/667,356, filed Oct. 19, 2018.
 Design U.S. Appl. No. 29/667,352, filed Oct. 19, 2018.
 Design U.S. Appl. No. 29/667,354, filed Oct. 19, 2018.
 Design U.S. Appl. No. 29/667,357, filed Oct. 19, 2018.
 Design U.S. Appl. No. 29/679,726, filed Feb. 8, 2019.
 Design U.S. Appl. No. 29/679,733, filed Feb. 8, 2019.
 U.S. Appl. No. 62/514,348, filed Jun. 2, 2017.
 U.S. Appl. No. 62/732,997, filed Sep. 18, 2018.

* cited by examiner

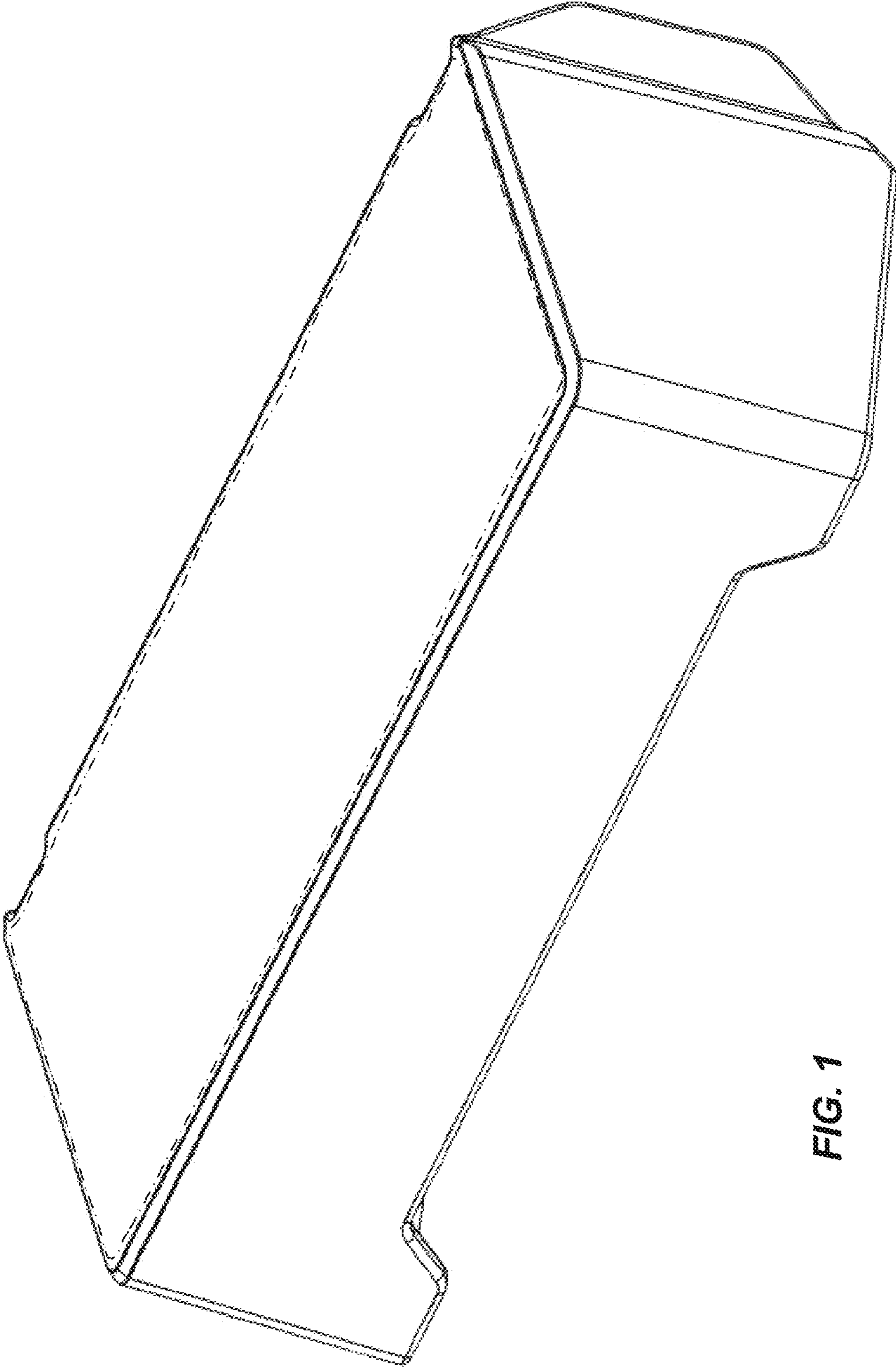


FIG. 1

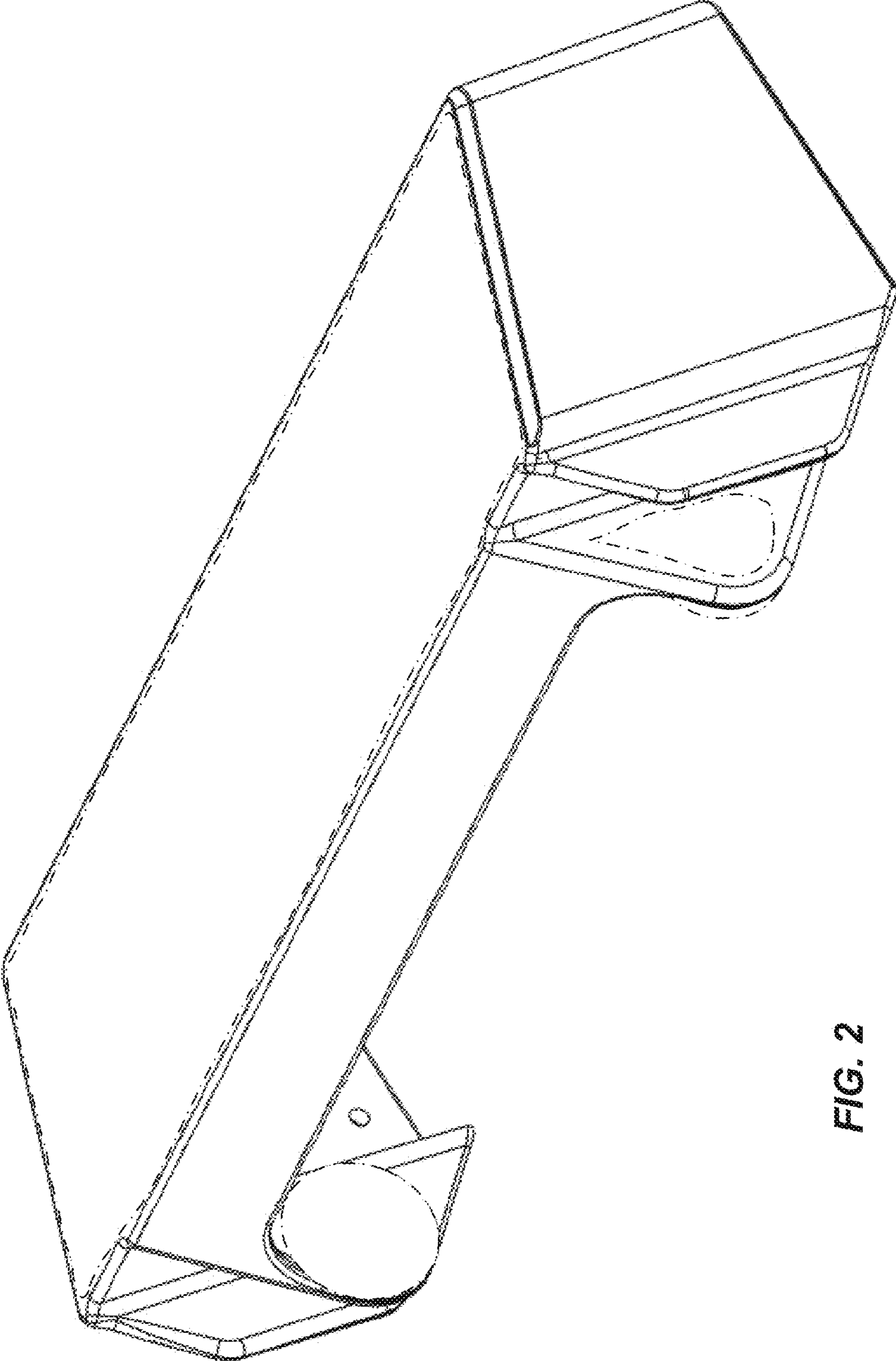


FIG. 2

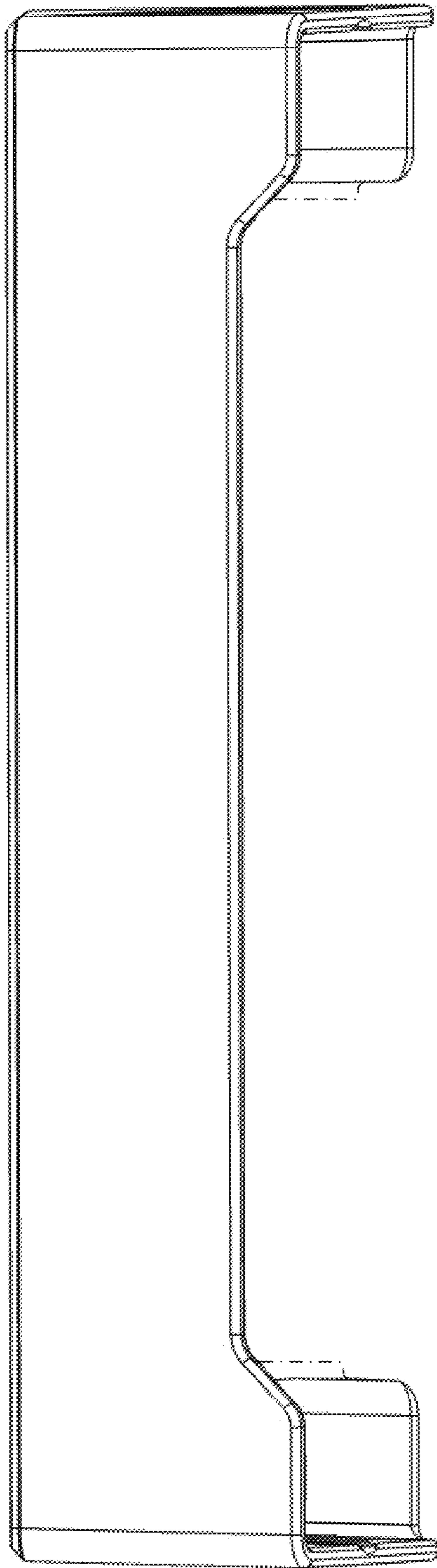


FIG. 3

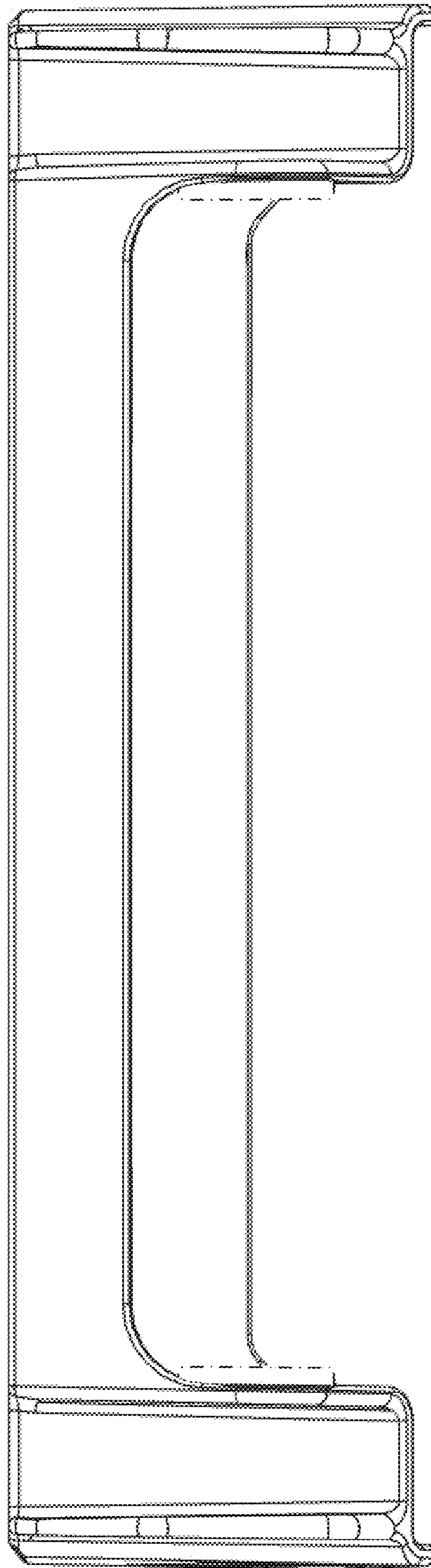


FIG. 4

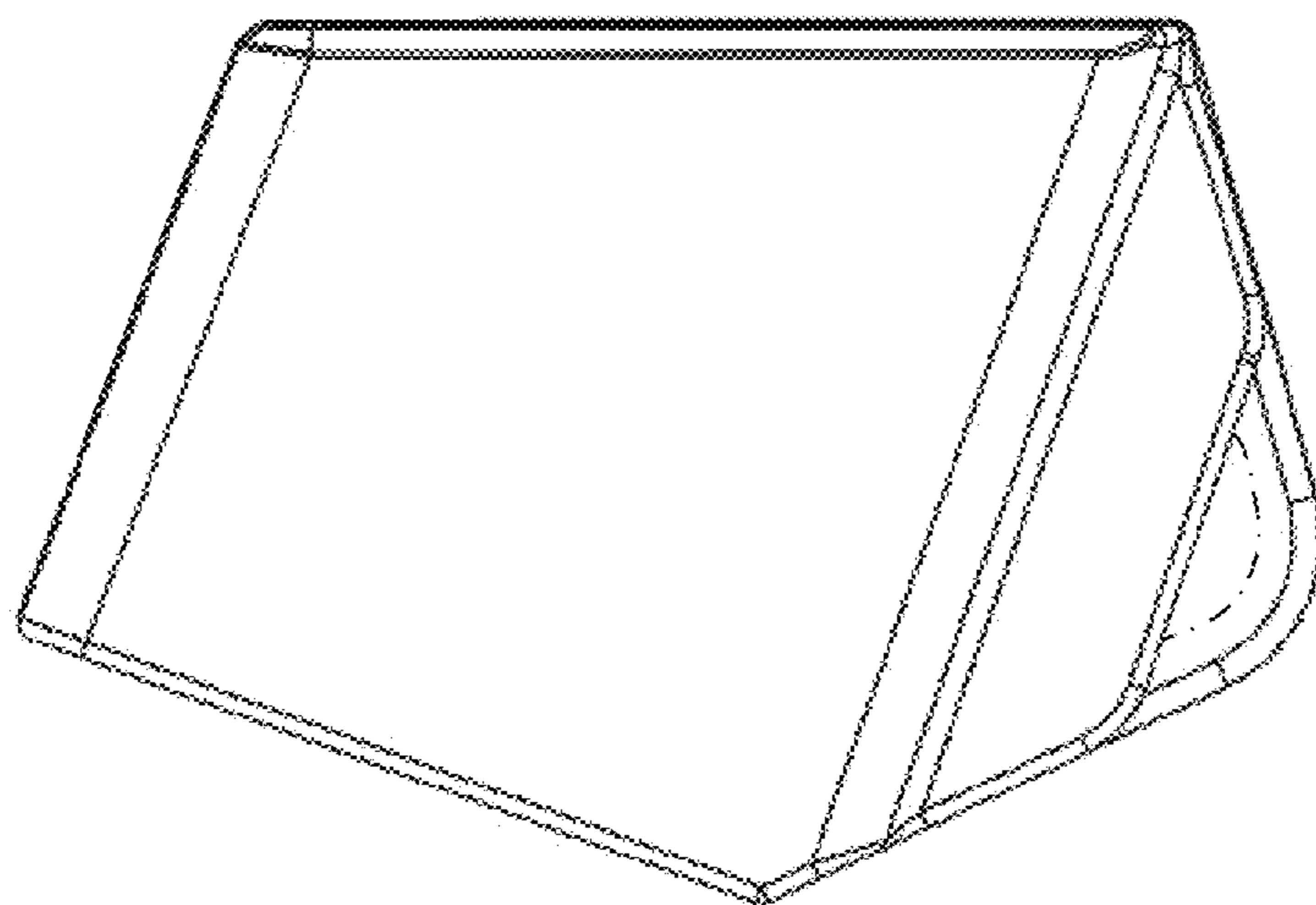


FIG. 5

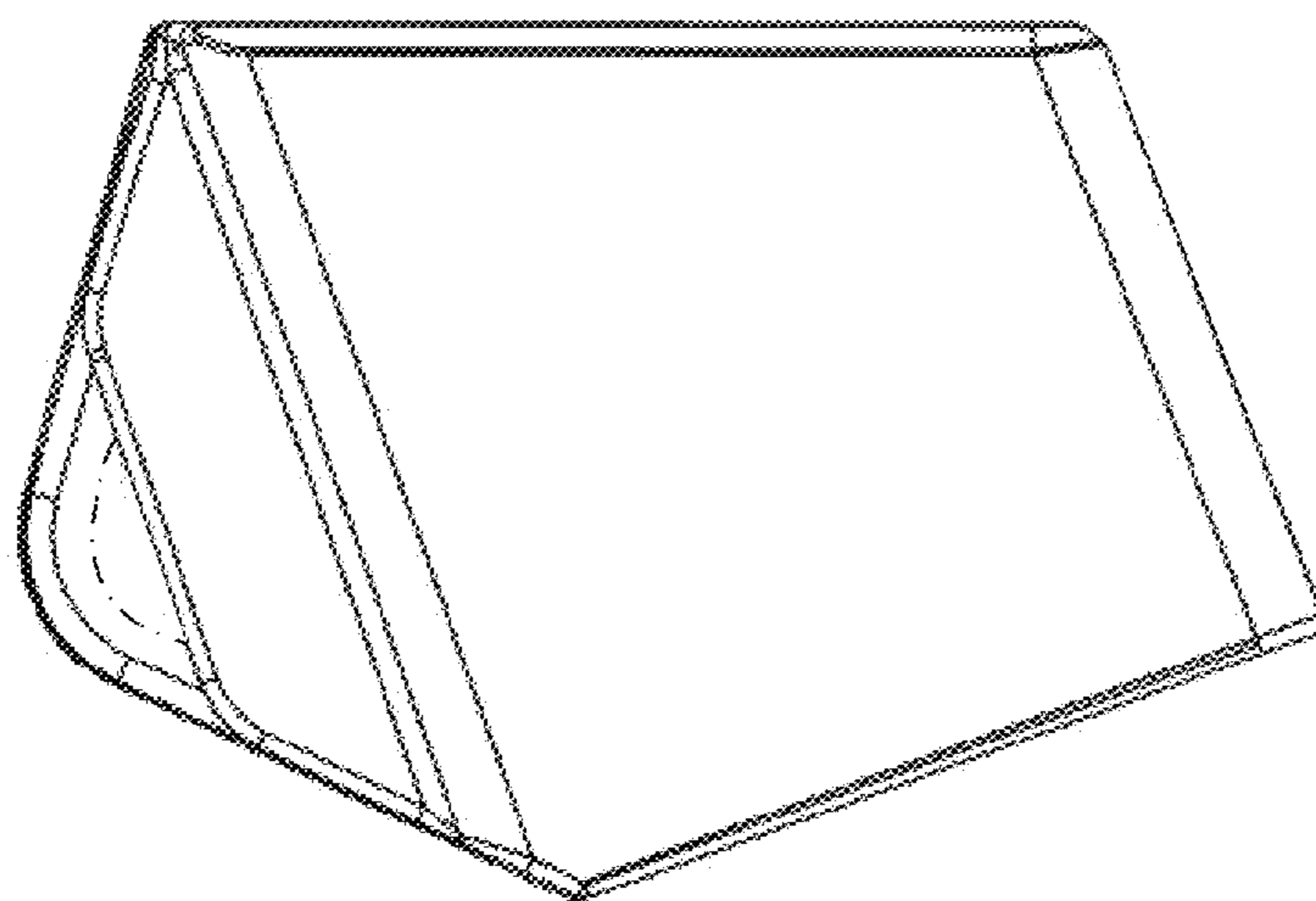


FIG. 6

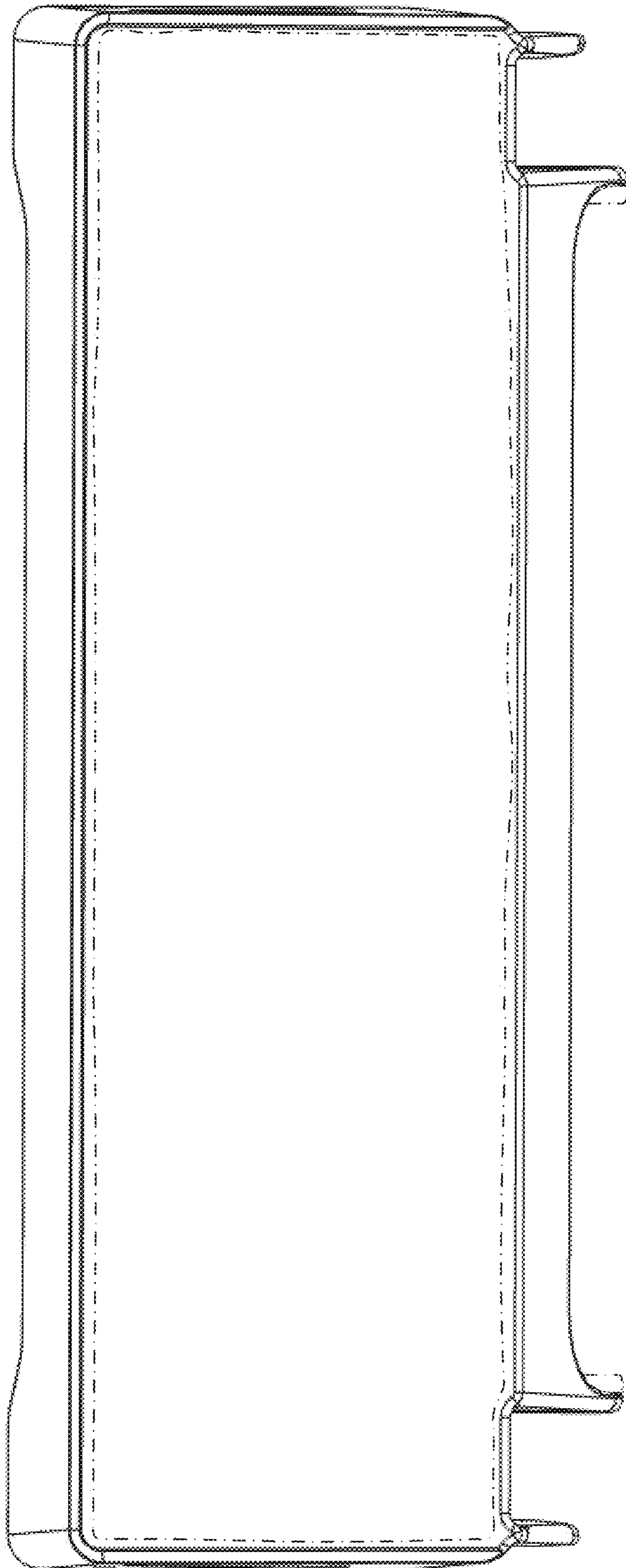


FIG. 7

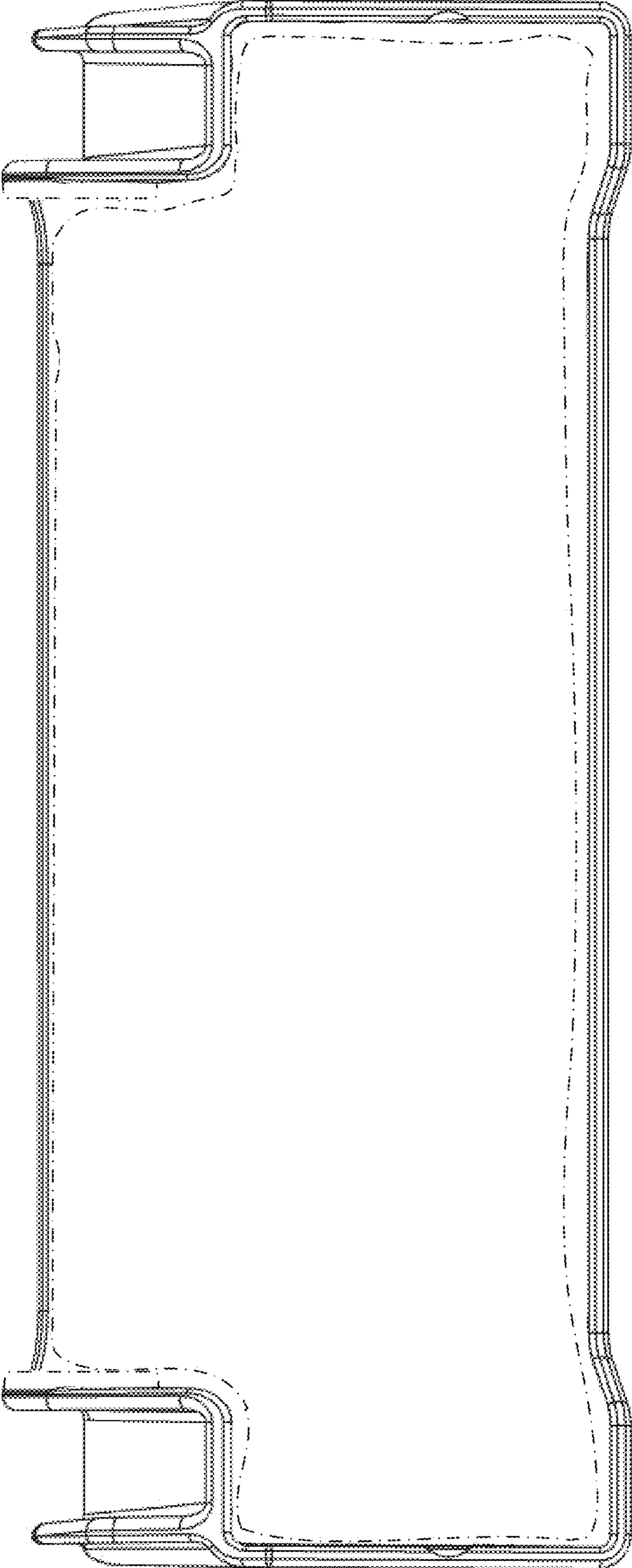


FIG. 8