



US00D944415S

(12) **United States Design Patent** (10) **Patent No.:** **US D944,415 S**
Gouge et al. (45) **Date of Patent:** **** *Feb. 22, 2022**

(54) **DOOR**

FOREIGN PATENT DOCUMENTS

(71) Applicant: **Masonite Corporation**, Tampa, FL (US)

CN 3629423 * 4/2007

Primary Examiner — Leanne Was-Englehart

(72) Inventors: **Timothy D. Gouge**, Elgin, IL (US);
Robert C. Allen, Elburn, IL (US);
Jason M. Walsh, Batavia, IL (US);
Mark Albrighton, Wesley Chapel, FL (US)

(74) *Attorney, Agent, or Firm* — Berenato & White, LLC

(57) **CLAIM**

The ornamental design for a door, as shown and described.

(73) Assignee: **Masonite Corporation**, Tampa, FL (US)

DESCRIPTION

(*) Notice: This patent is subject to a terminal disclaimer.

FIG. 1 is a front perspective view of a door according to our design;

FIG. 2 is a front elevational view;

FIG. 3 is a rear elevational view;

FIG. 4 is an enlarged view of the encircled portion 4 of FIG. 1;

FIG. 5 is a bottom top plan view;

FIG. 6 is a bottom plan view;

FIG. 7 is a cross-sectional view taken along line 7-7 of FIG. 2;

FIG. 8 is a cross-sectional view taken along line 8-8 of FIG. 2;

FIG. 9 is an enlarged fragmentary cross-sectional view of the encircled portion 9 of FIG. 7;

FIG. 10 is an enlarged fragmentary cross-sectional view of the encircled portion 10 of FIG. 8;

FIG. 11 is a right side elevational view;

FIG. 12 is a left elevational view;

FIG. 13 is a cross sectional view taken along line 13-13 of FIG. 2;

FIG. 14 is an enlarged fragmentary cross-sectional view of the encircled portion 14 of FIG. 13;

FIG. 15 is an enlarged fragmentary cross-sectional view of the encircled portion 15 of FIG. 13;

FIG. 16 is a front perspective view of a second version of a door according to our design;

FIG. 17 is a front elevational view;

FIG. 18 is a rear elevational view;

FIG. 19 is an enlarged view of the encircled portion 19 of FIG. 16;

FIG. 20 is a top plan view;

(**) Term: **15 Years**

(21) Appl. No.: **29/739,928**

(22) Filed: **Jun. 30, 2020**

Related U.S. Application Data

(63) Continuation of application No. 29/697,497, filed on Jul. 9, 2019, now Pat. No. Des. 888,993, which is a (Continued)

(51) **LOC (13) Cl.** **25-02**

(52) **U.S. Cl.**
USPC **D25/48.3**

(58) **Field of Classification Search**
USPC D25/48.1, 48.3, 48.4, 48.5, 138 (Continued)

(56) **References Cited**

U.S. PATENT DOCUMENTS

432,504 A * 7/1890 Amsden E06B 3/5892
52/455
926,361 A * 6/1909 Sjobring E06B 3/5892
52/455

(Continued)

(Continued)

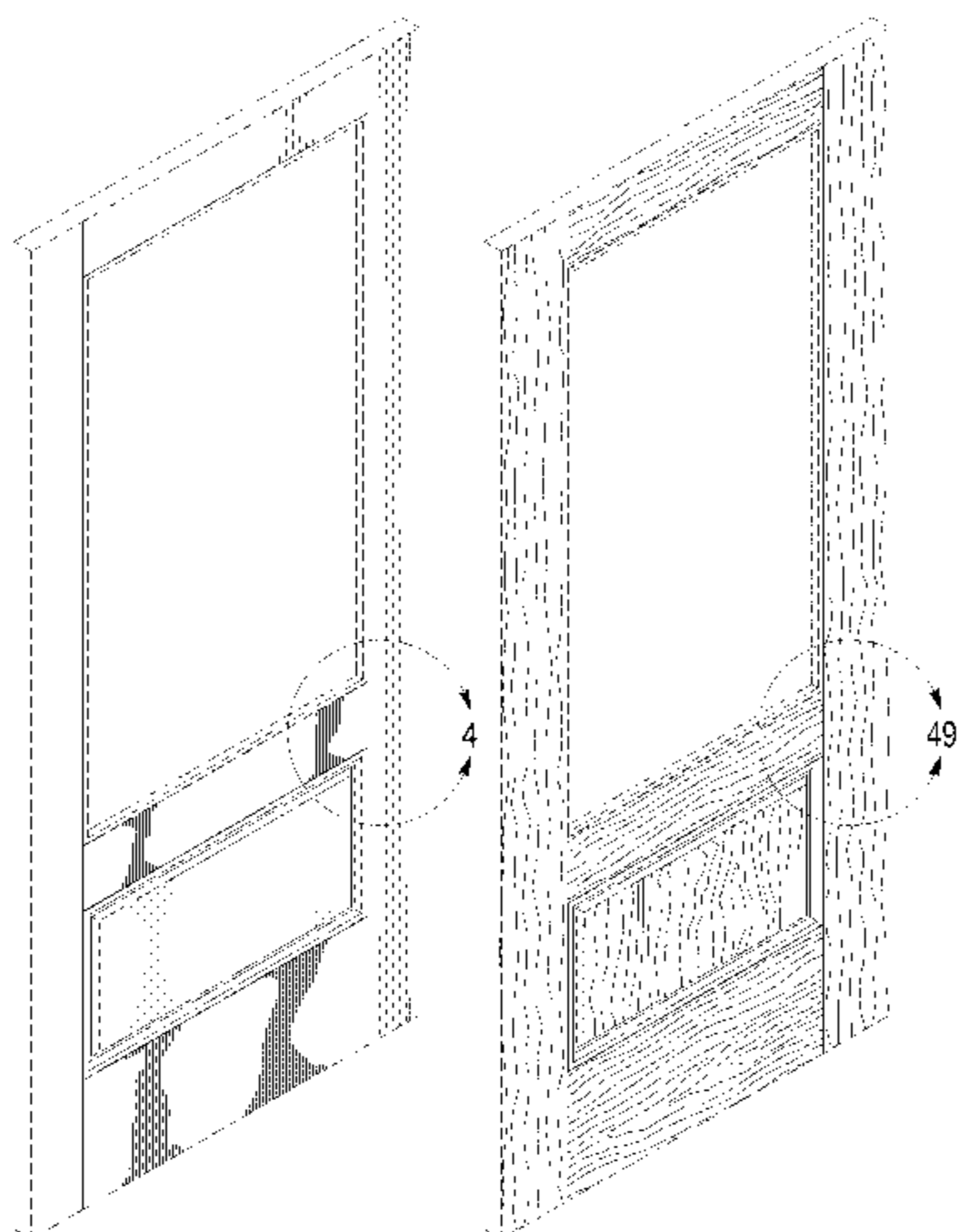


FIG. 21 is a bottom plan view;
 FIG. 22 is a cross-sectional view taken along line 22-22 of FIG. 17;
 FIG. 23 is a cross-sectional view taken along line 23-23 of FIG. 17;
 FIG. 24 is an enlarged fragmentary cross-sectional view of the encircled portion 24 of FIG. 22;
 FIG. 25 is enlarged fragmentary cross-sectional view of the encircled portion 25 of FIG. 23;
 FIG. 26 is a right side elevational view;
 FIG. 27 is a left elevational view;
 FIG. 28 is a cross-sectional view taken along line 28-28 of FIG. 17;
 FIG. 29 is an enlarged fragmentary cross-sectional view of the encircled portion 29 of FIG. 28;
 FIG. 30 is an enlarged fragmentary cross-sectional view of the encircled portion 30 of FIG. 28;
 FIG. 31 is a front perspective view of a third version of a door according to our design;
 FIG. 32 is a front elevational view;
 FIG. 33 is a rear elevational view;
 FIG. 34 is an enlarged view of the encircled portion 34 of FIG. 31;
 FIG. 35 is a top plan view;
 FIG. 36 is a bottom plan view;
 FIG. 37 is a cross-sectional view taken along line 37-37 of FIG. 32;
 FIG. 38 is a cross-sectional view taken along line 38-38 of FIG. 32;
 FIG. 39 is an enlarged fragmentary cross-sectional view of the encircled portion 39 of FIG. 37;
 FIG. 40 is enlarged fragmentary cross-sectional view of the encircled portion 40 of FIG. 38;
 FIG. 41 is a right side elevational view;
 FIG. 42 is a left elevational view;
 FIG. 43 is a cross-sectional view taken along line 43-43 of FIG. 32;
 FIG. 44 is an enlarged fragmentary cross-sectional view of the encircled portion 44 of FIG. 43;
 FIG. 45 is an enlarged fragmentary cross-sectional view of the encircled portion 45 of FIG. 43;
 FIG. 46 is a front perspective view of a fourth version of a door according to our design;
 FIG. 47 is a front elevational view;
 FIG. 48 is a rear elevational view;
 FIG. 49 is an enlarged view of the encircled portion 49 of FIG. 46;
 FIG. 50 is a top plan view;
 FIG. 51 is a bottom plan view;
 FIG. 52 is a cross-sectional view taken along line 52-52 of FIG. 47;
 FIG. 53 is a cross-sectional view taken along line 53-53 of FIG. 47;
 FIG. 54 is an enlarged fragmentary cross-sectional view of the encircled portion 54 of FIG. 52;
 FIG. 55 is enlarged fragmentary cross-sectional view of the encircled portion 55 of FIG. 53;
 FIG. 56 is a right side elevational view;
 FIG. 57 is a left elevational view;
 FIG. 58 is a cross sectional view taken along line 58-58 of FIG. 47;
 FIG. 59 is an enlarged fragmentary cross-sectional view of the encircled portion 59 of FIG. 58; and,

FIG. 60 is an enlarged fragmentary cross-sectional view of the encircled portion 60 of FIG. 58.
 The evenly spaced broken lines depict portions of the door that form no part of the claimed design. The circular dot-dot-dash broken lines in FIGS. 1, 4, 7-10, 13-16, 19, 22-25, 28-31, 34, 37-40, 43-46, 49, 52-55, and 58-60 depict the limits of the enlarged views and do not form part of the claimed design.

1 Claim, 32 Drawing Sheets

Related U.S. Application Data

continuation of application No. 29/640,267, filed on Mar. 13, 2018, now Pat. No. Des. 853,586, which is a continuation of application No. 29/529,489, filed on Jun. 8, 2015, now Pat. No. Des. 812,773.

(58) **Field of Classification Search**

CPC E06B 3/4636; E06B 3/485; E06B 3/58;
 E06B 3/5892; E06B 3/72; E06B 3/78;
 E06B 2003/7044; E06B 1/04; E06B 5/00
 See application file for complete search history.

(56) **References Cited**

U.S. PATENT DOCUMENTS

956,556	A *	5/1910	Wege	E06B 3/5892 52/800.17
985,912	A *	3/1911	Lindros	E06B 3/5892 52/455
986,013	A *	3/1911	Klemm	E06B 3/728 52/800.18
988,574	A *	4/1911	Jones	E06B 3/5892 52/455
1,021,053	A *	3/1912	Lempera	E06B 3/5892 52/455
1,086,934	A *	2/1914	Parish	E06B 3/5892 52/800.17
1,094,025	A *	4/1914	Scott	E06B 3/60 52/764
1,391,949	A *	9/1921	Gogay	E06B 3/728 52/784.13
1,466,650	A *	8/1923	Peterson	E06B 3/728 52/455
D529,188	S	9/2006	Walsh et al.	
D566,293	S	4/2008	Walsh et al.	
D593,212	S	5/2009	Walsh et al.	
D608,904	S	1/2010	Walsh et al.	
D640,391	S *	6/2011	Walsh	D25/48.3
D640,392	S *	6/2011	Walsh	D25/38.1
D652,948	S *	1/2012	Walsh	D25/48.3
D655,020	S *	2/2012	Walsh	D25/48.3
D660,979	S	5/2012	Walsh	
D665,099	S	8/2012	Paxton	
D696,422	S *	12/2013	Walsh	D25/48.3
D735,887	S *	8/2015	Walsh	D25/48.3
D736,409	S	8/2015	Gouge et al.	
D756,534	S *	5/2016	Allen	D25/48.3
D797,310	S *	9/2017	Gouge	D25/48.3
D812,773	S *	3/2018	Gouge	D25/48.3
D848,639	S *	5/2019	Gouge	D25/48.3
D852,983	S *	7/2019	Walsh	D25/48.3
D853,586	S *	7/2019	Gouge	D25/48.3
D884,922	S *	5/2020	Walsh	D25/48.3
D888,992	S *	6/2020	Gouge	D25/48.3
D888,993	S *	6/2020	Gouge	D25/48.3

* cited by examiner

FIG. 1

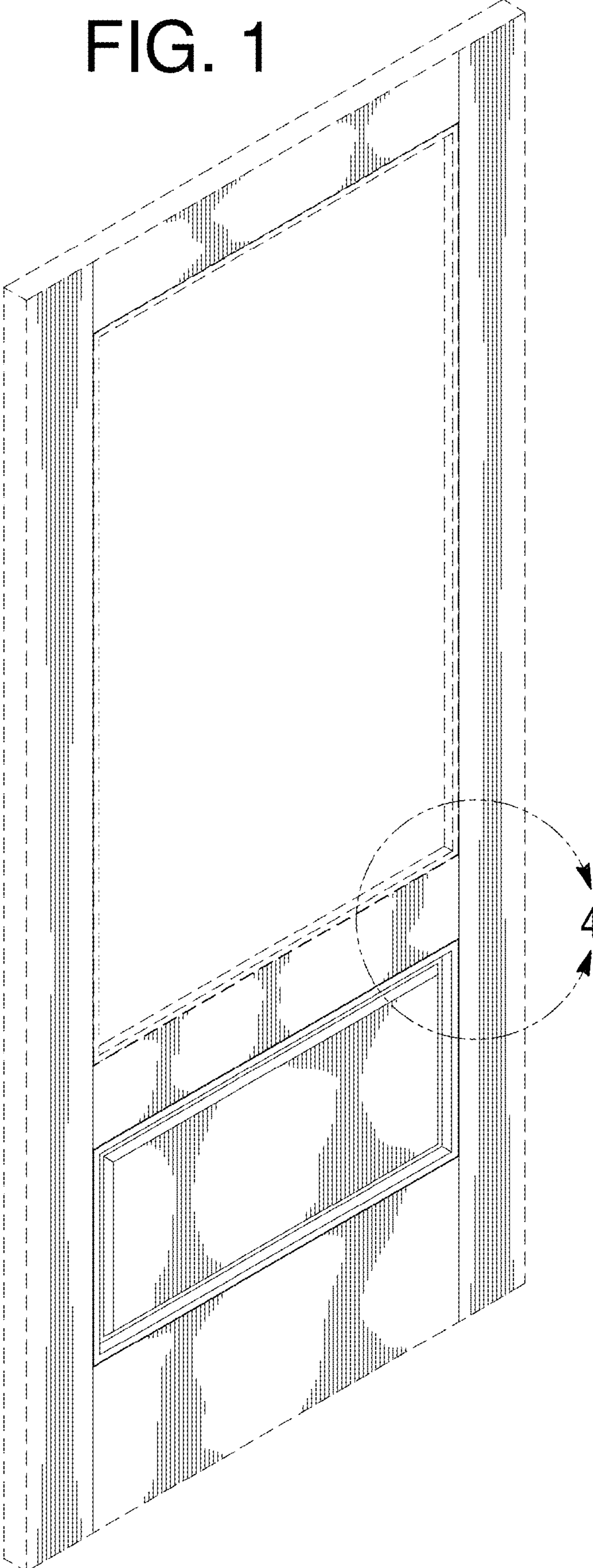


FIG. 2

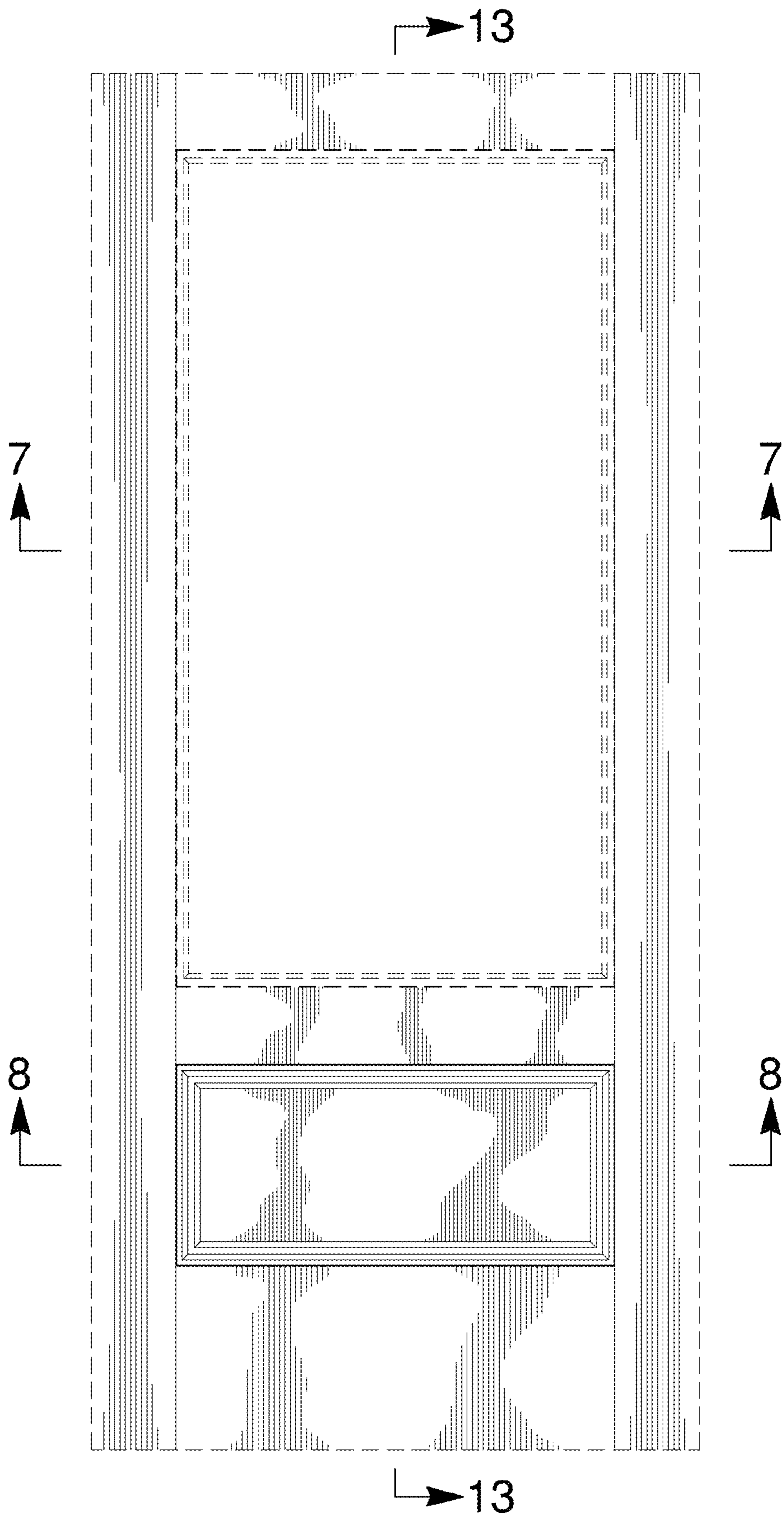


FIG. 3

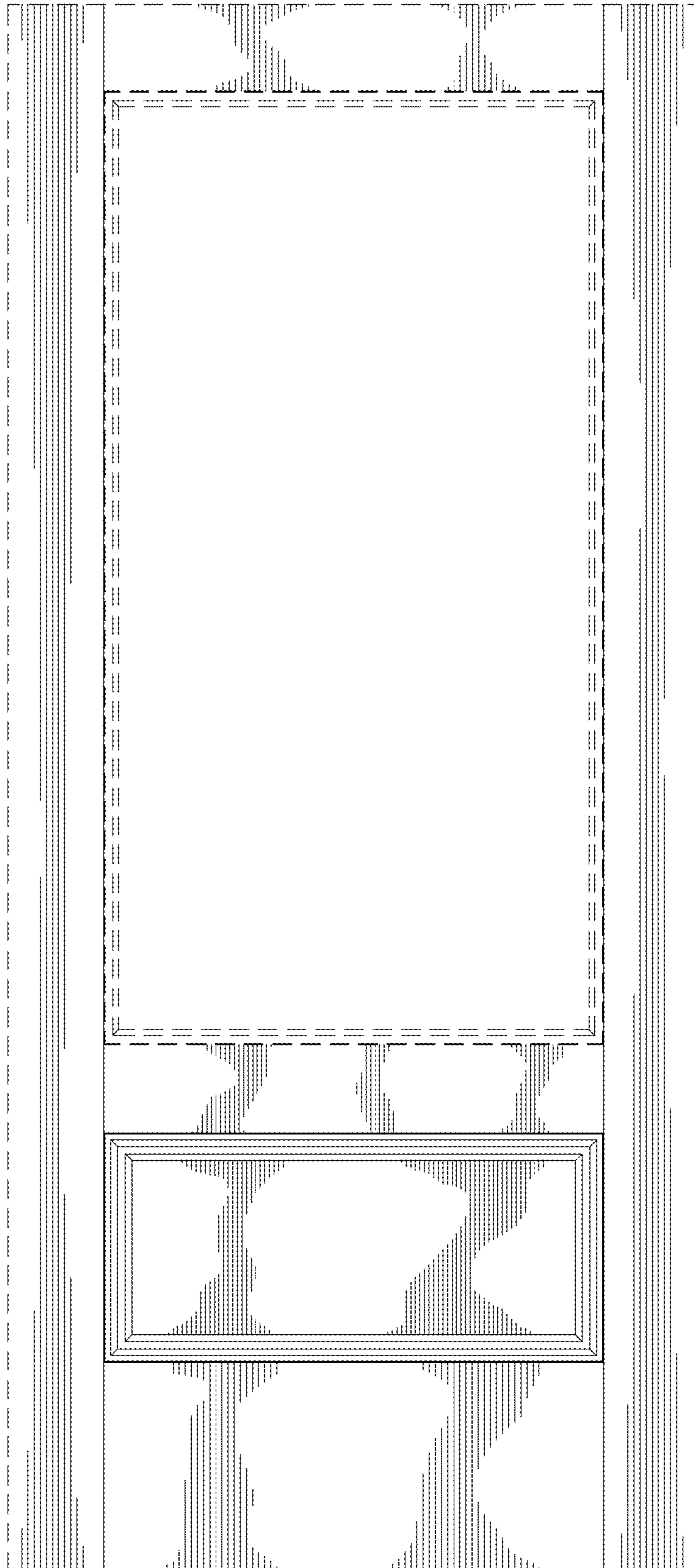


FIG. 4

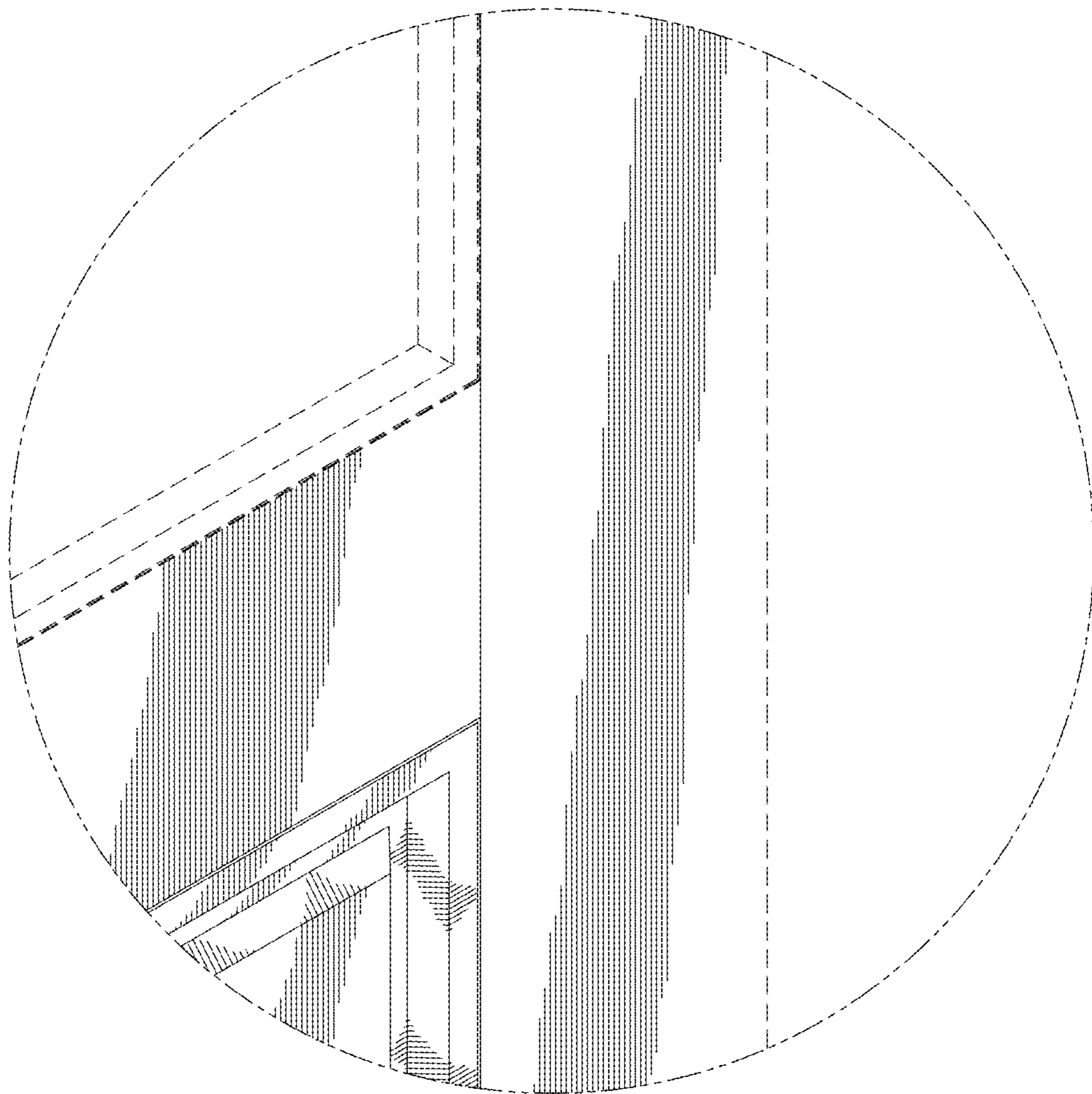


FIG. 5



FIG. 6

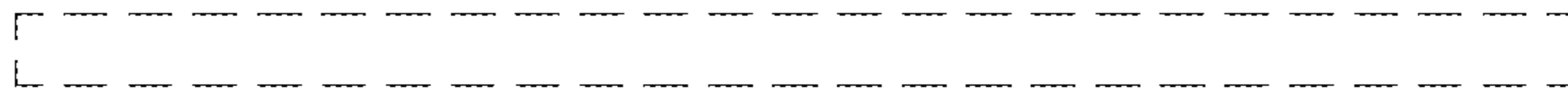


FIG. 7

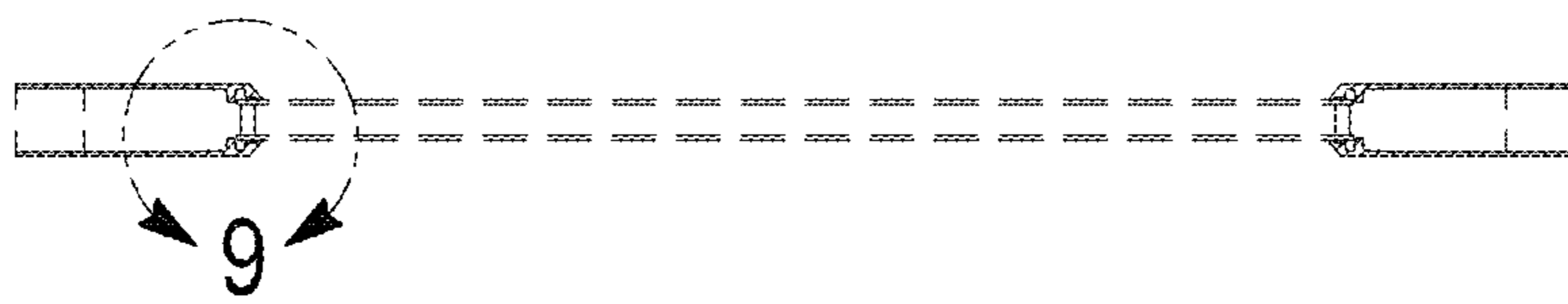
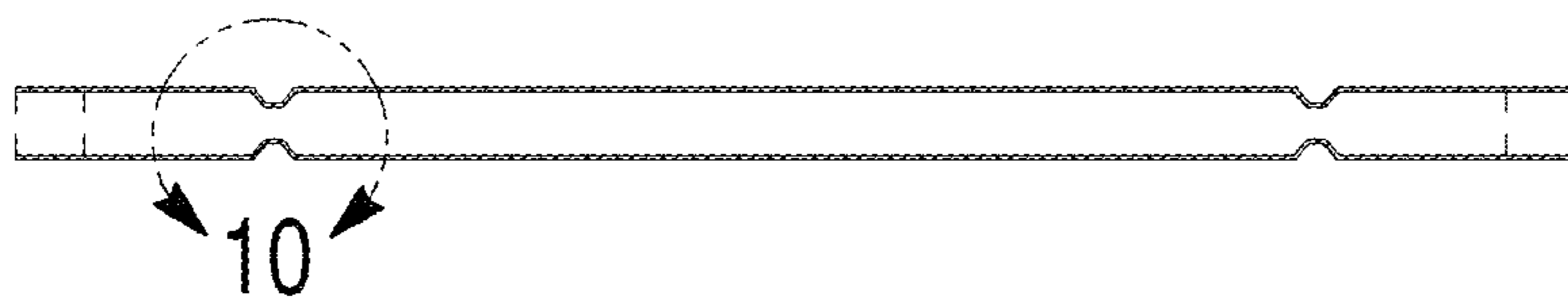


FIG. 8



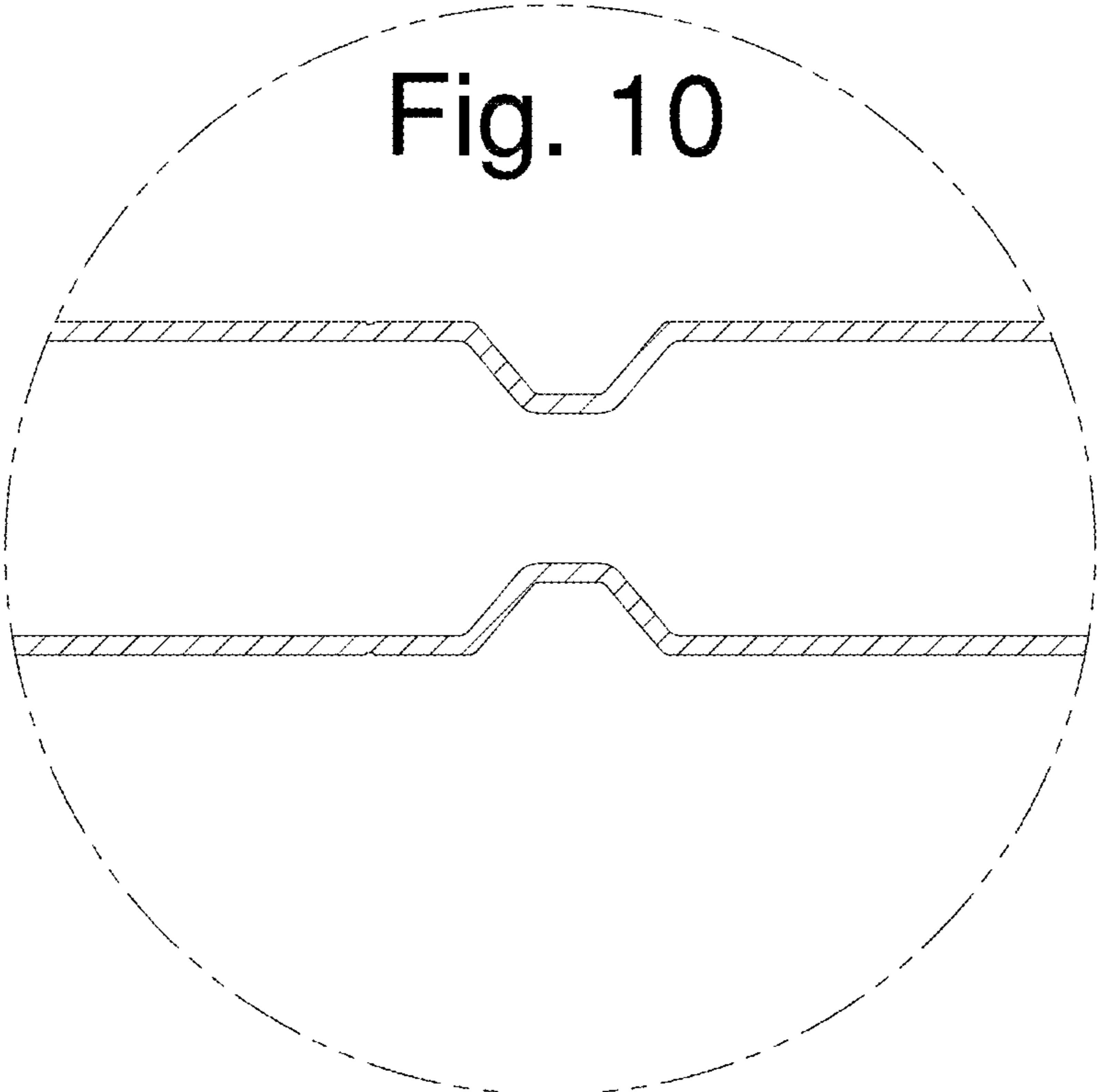
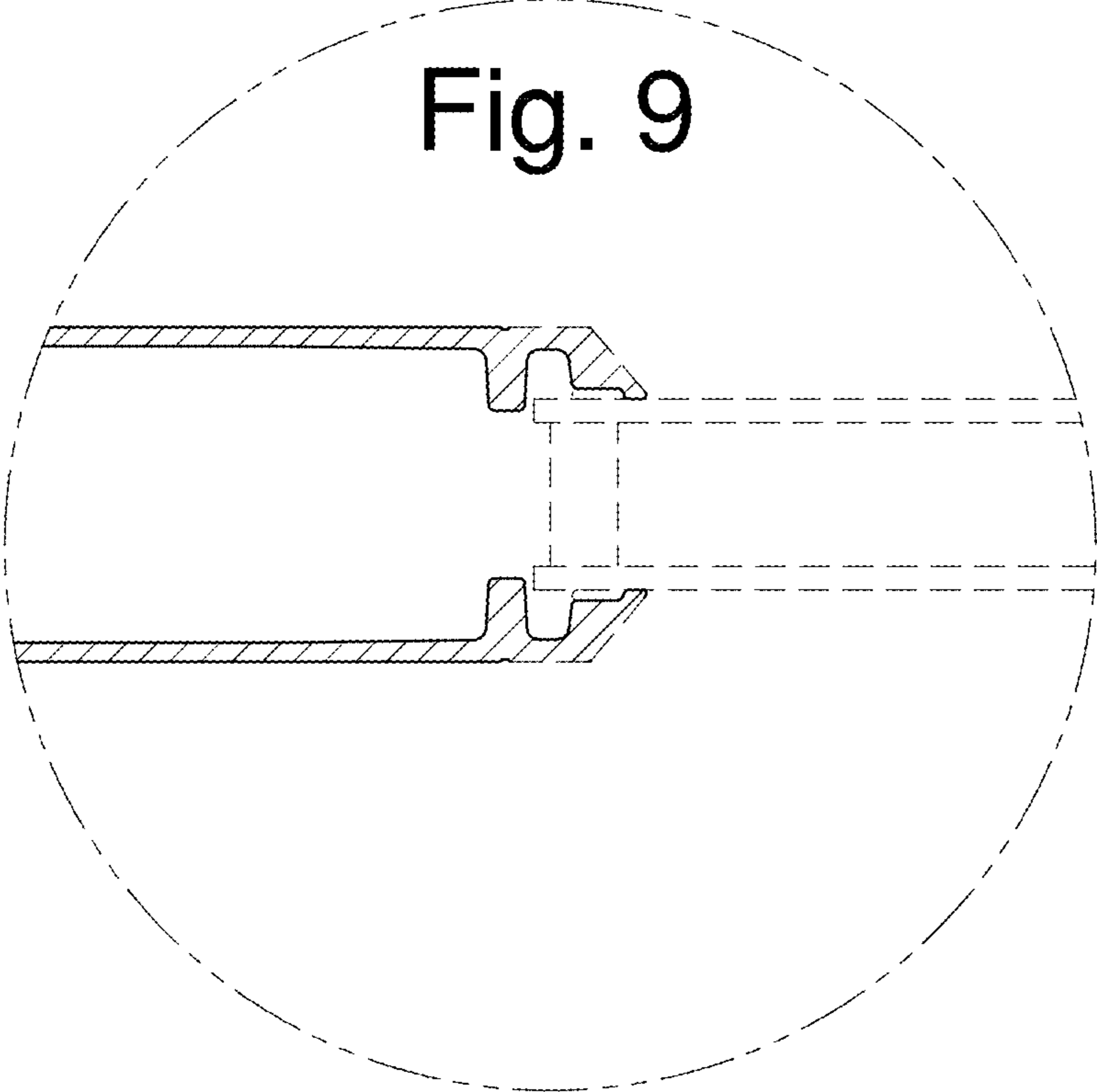


FIG. 11

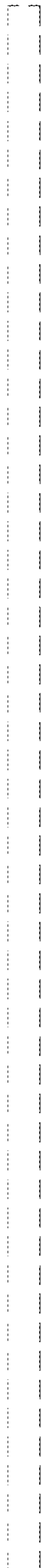


FIG. 12

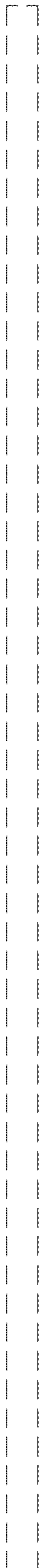
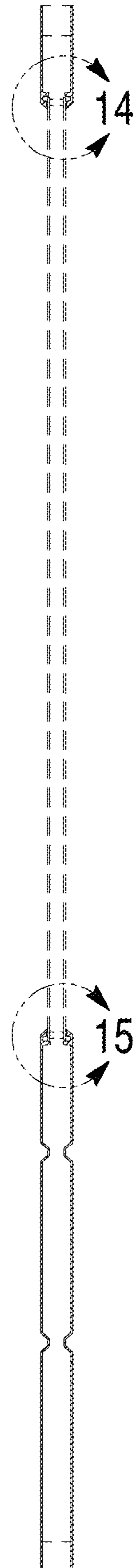


FIG. 13



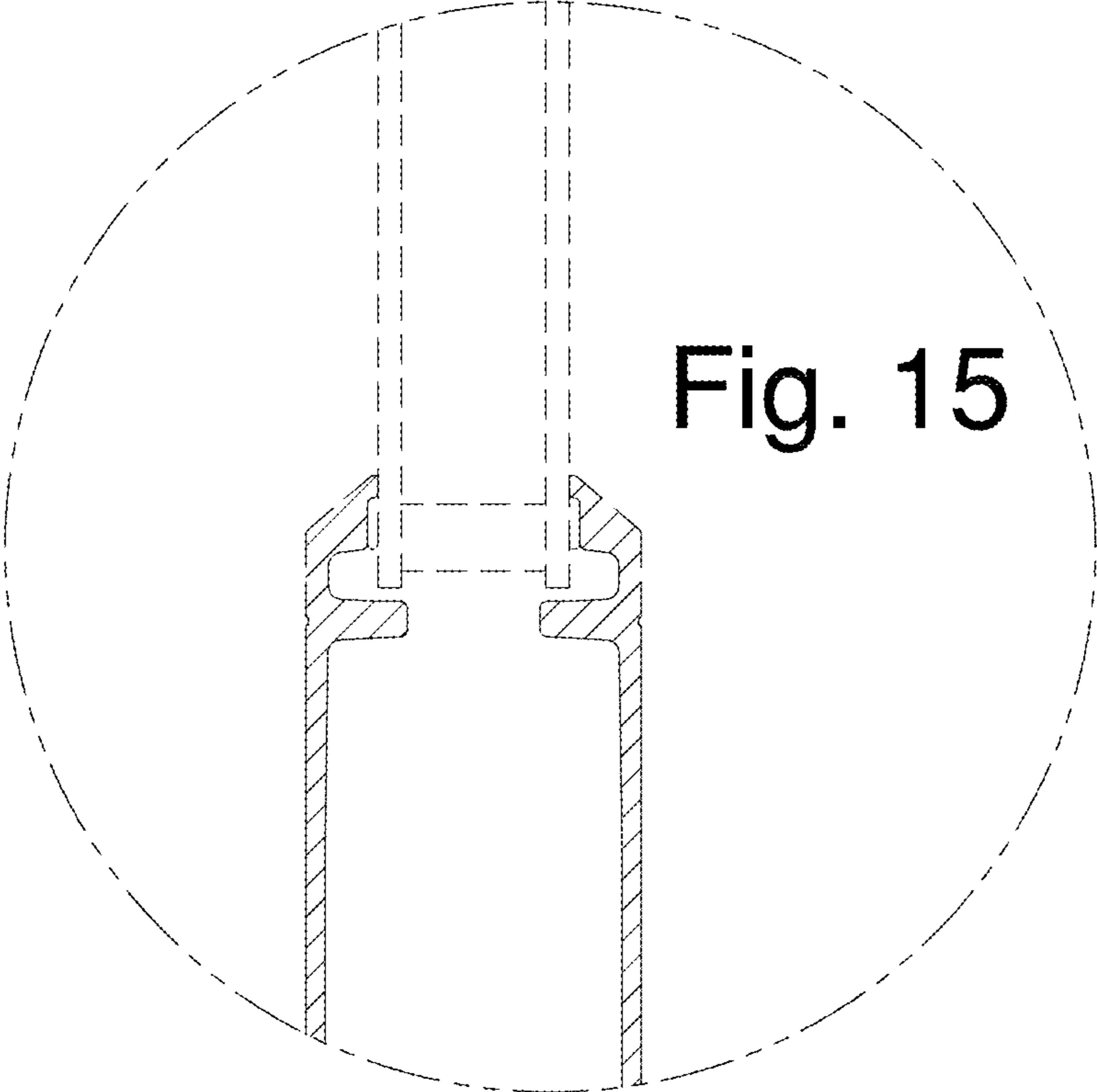
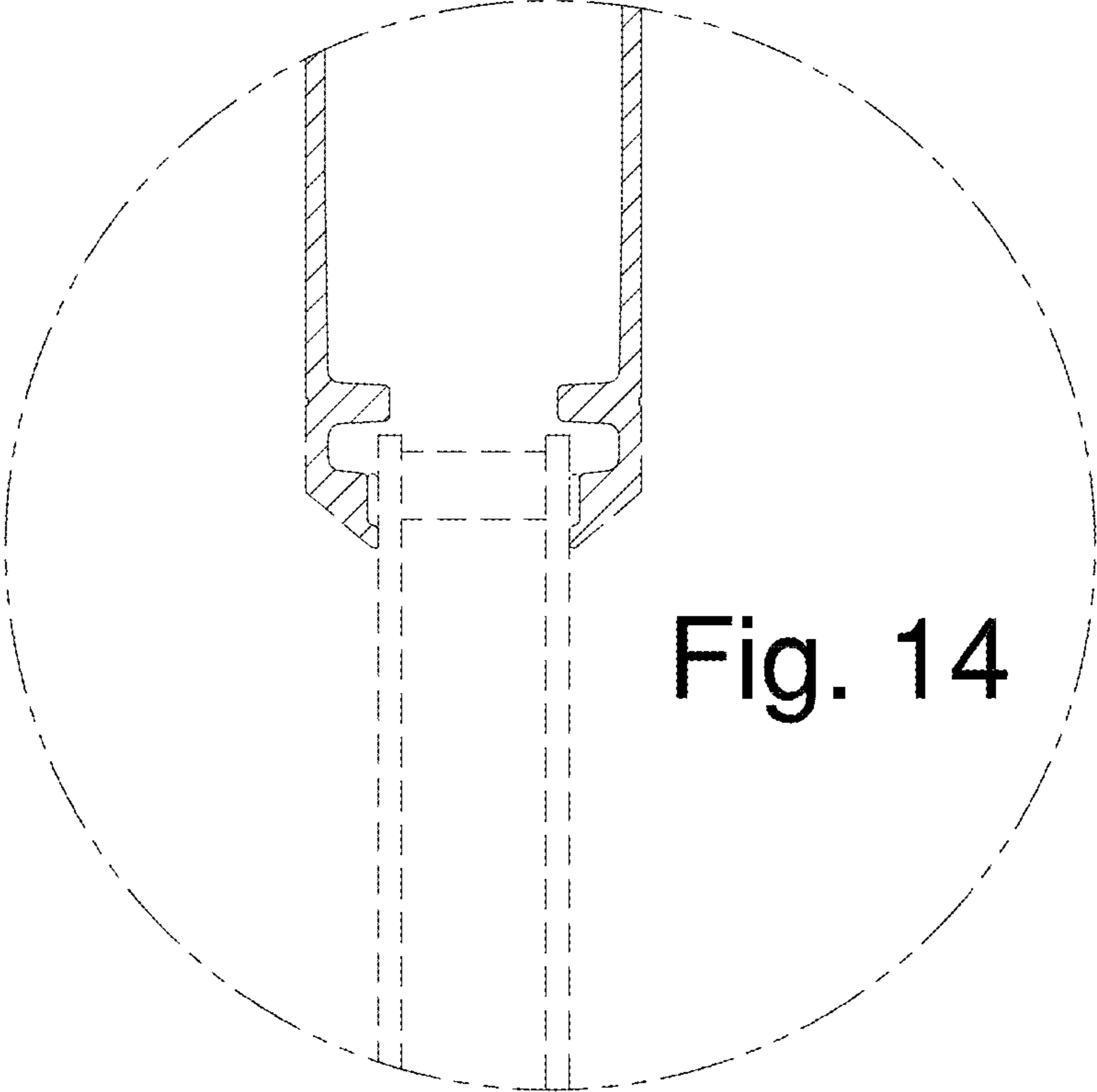


FIG. 16

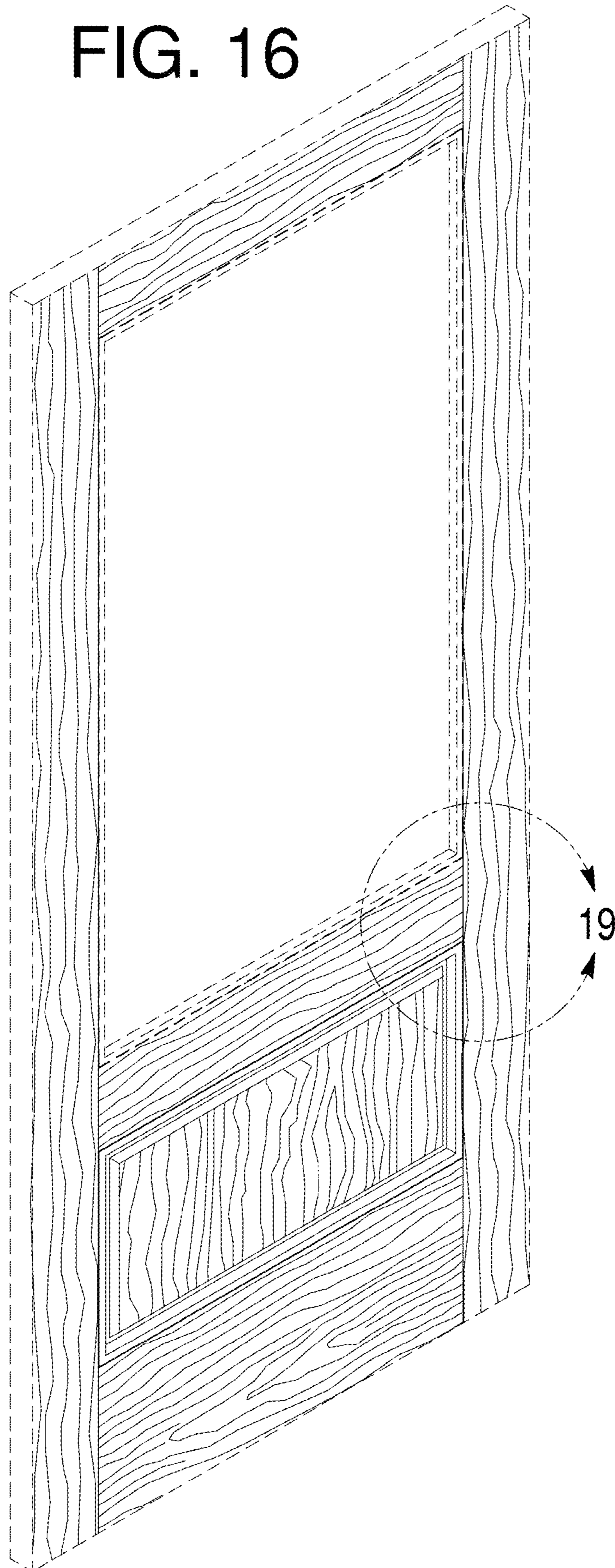


FIG. 17

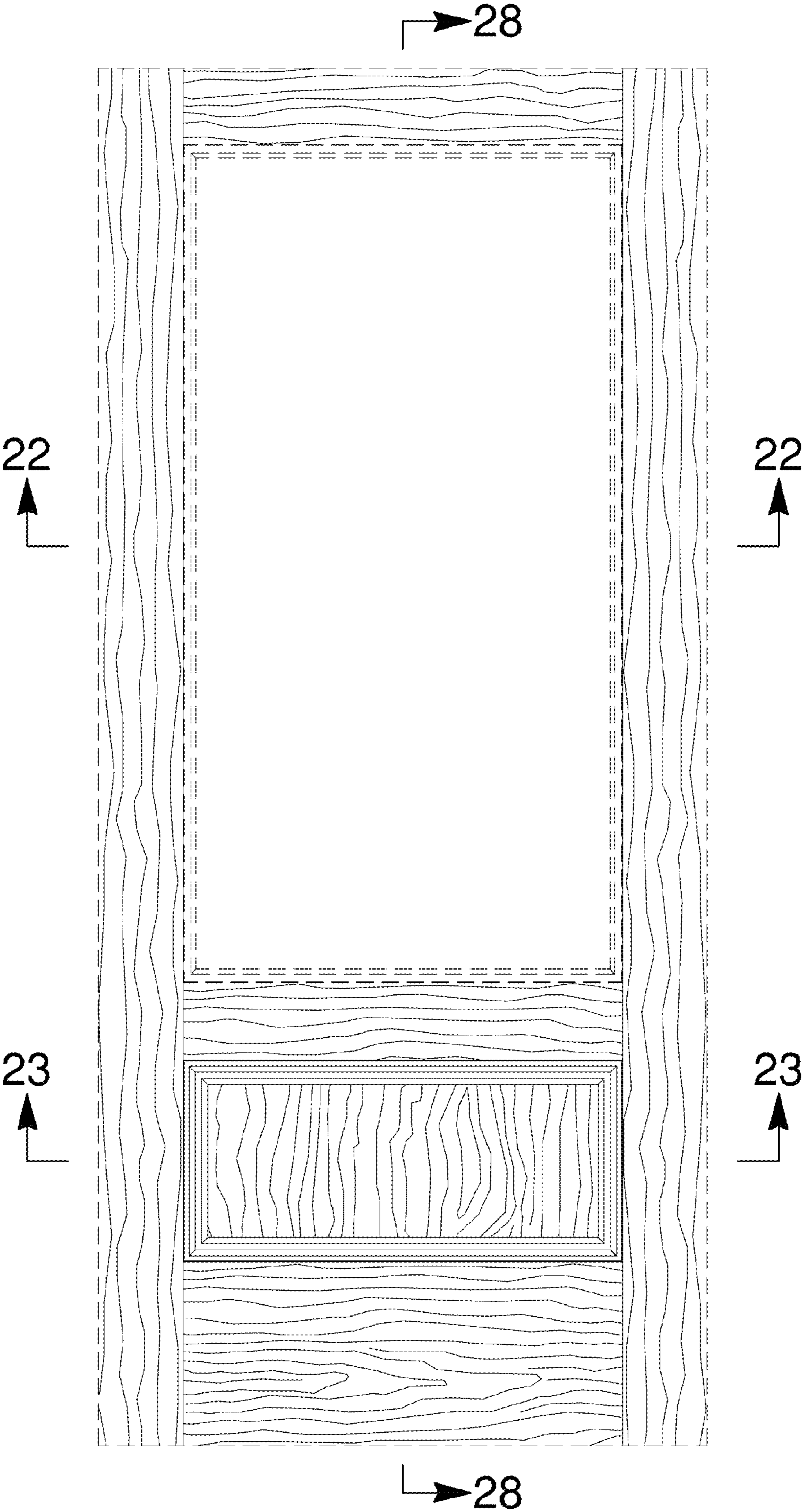


FIG. 18

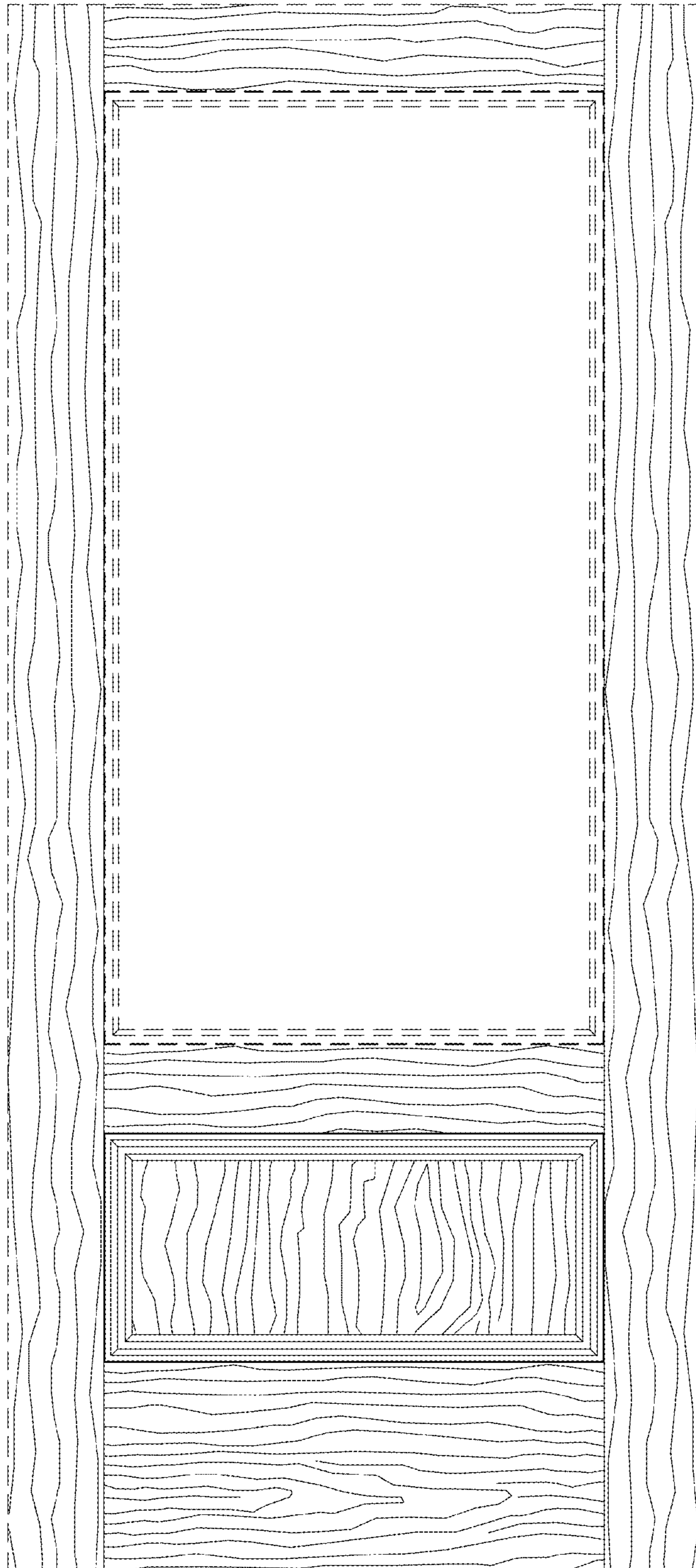


FIG. 19

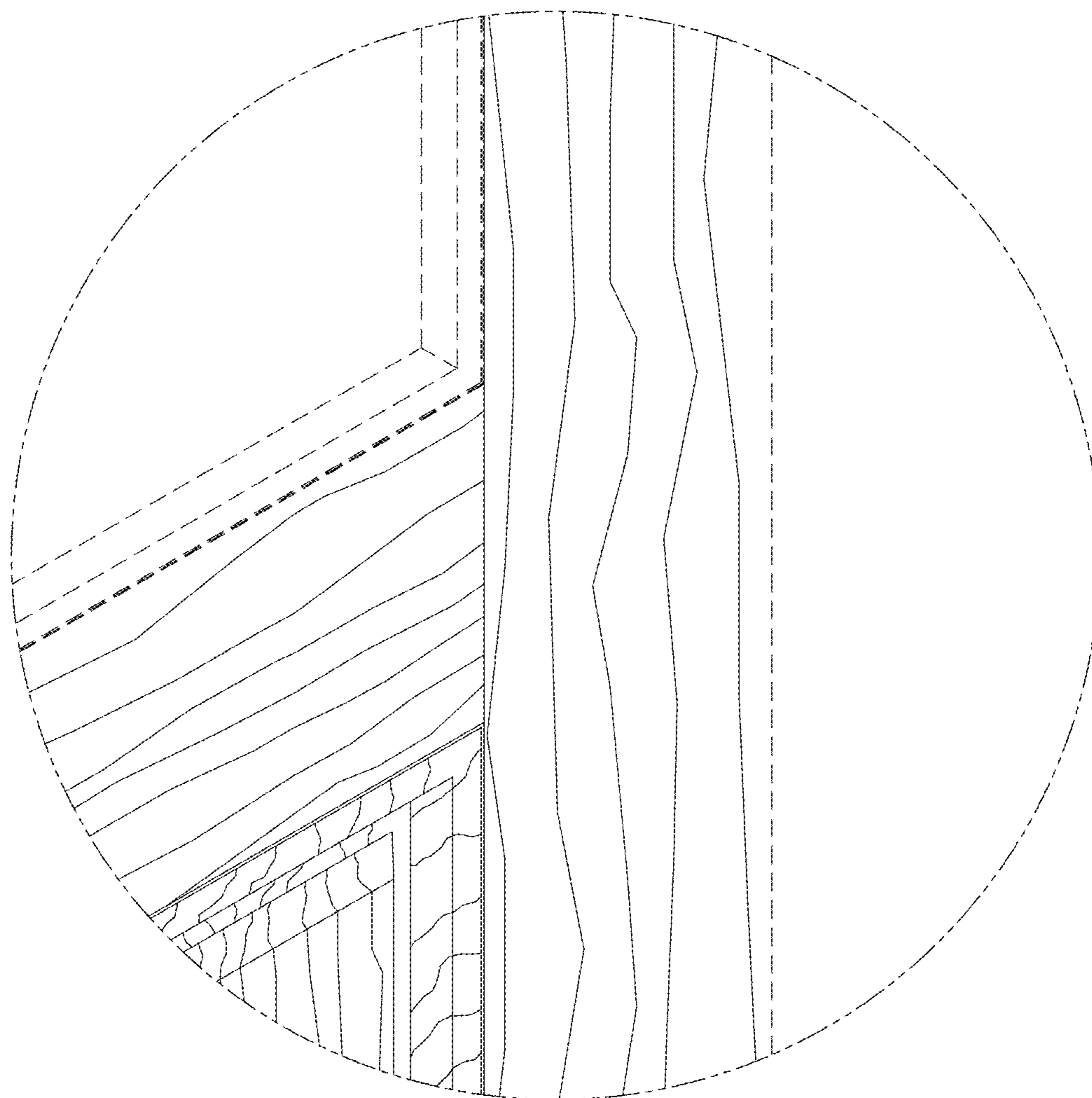


FIG. 20

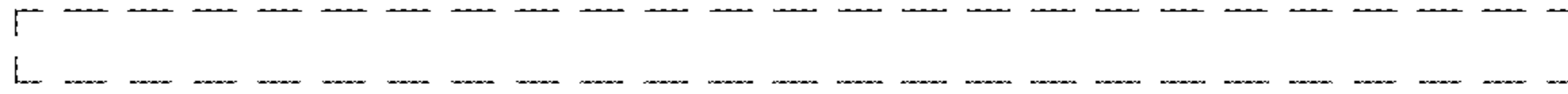


FIG. 21

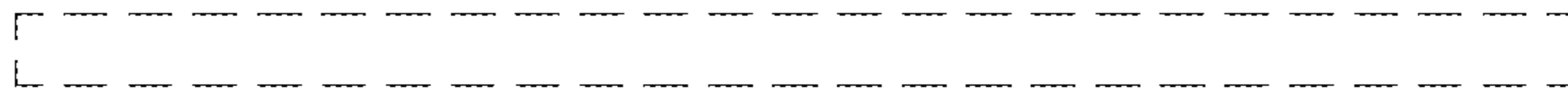


FIG. 22

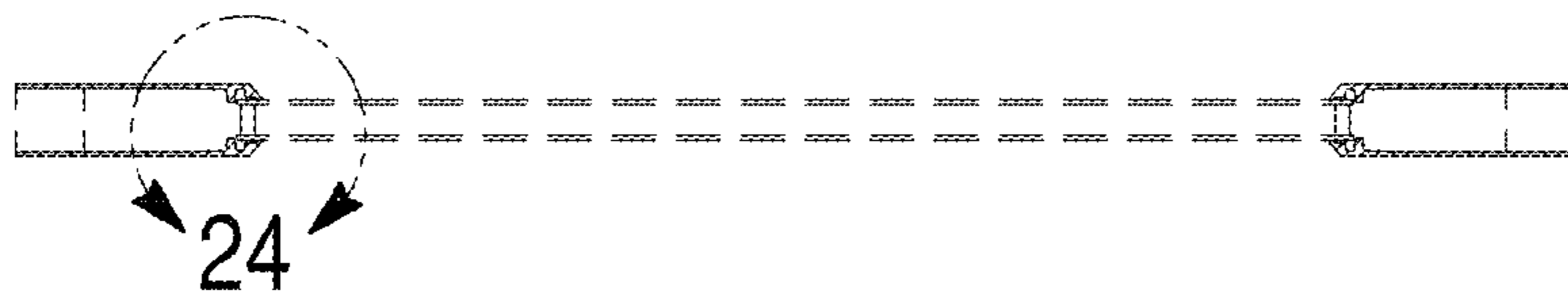
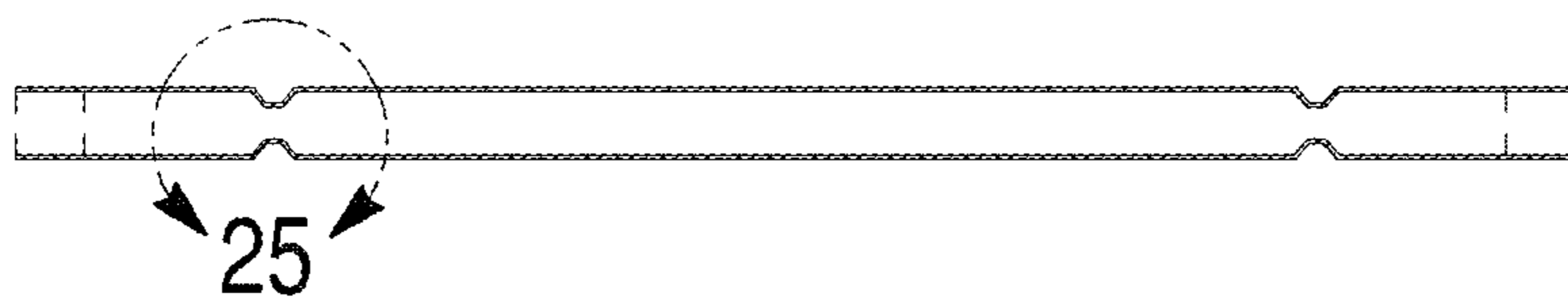


FIG. 23



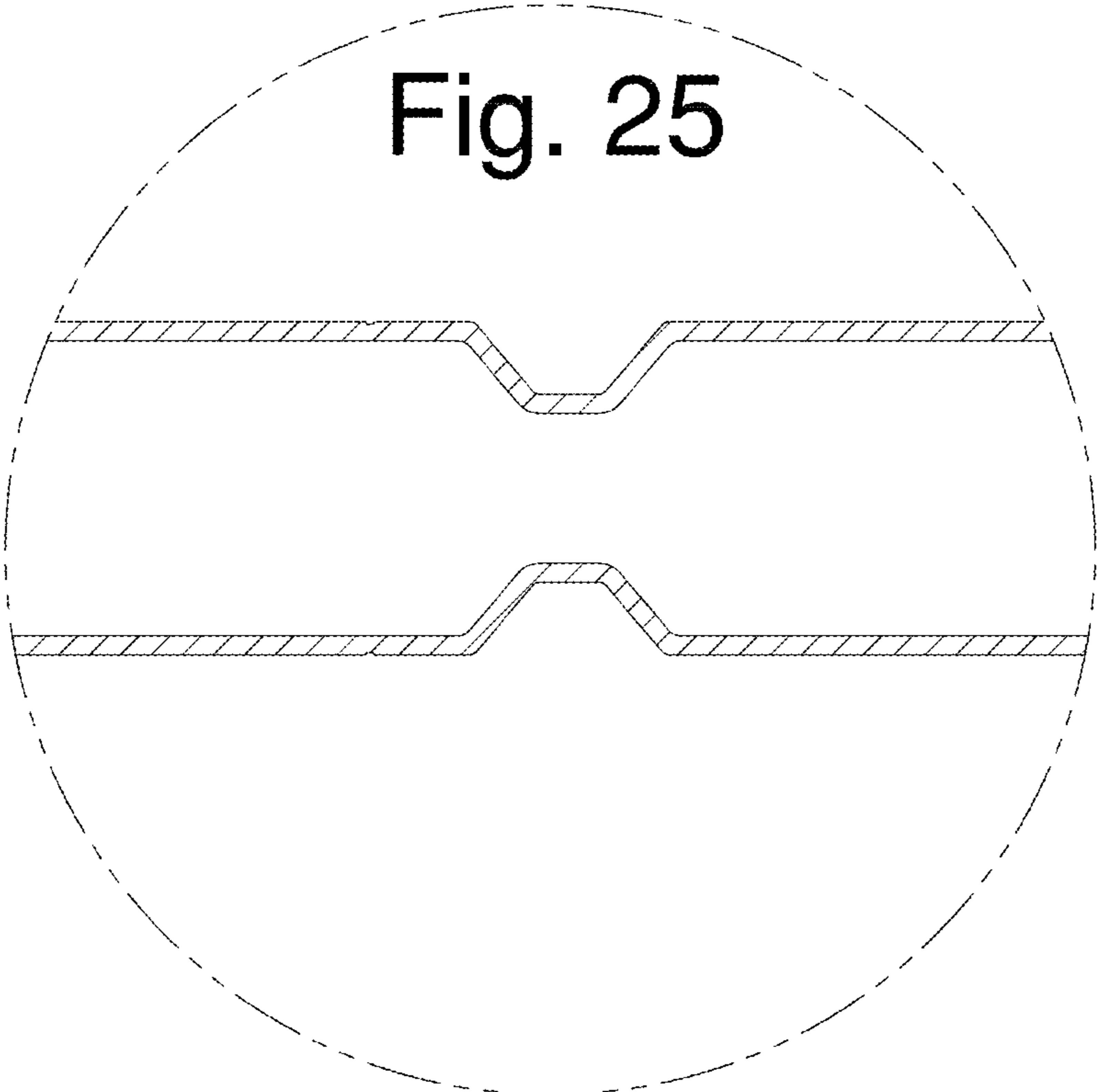
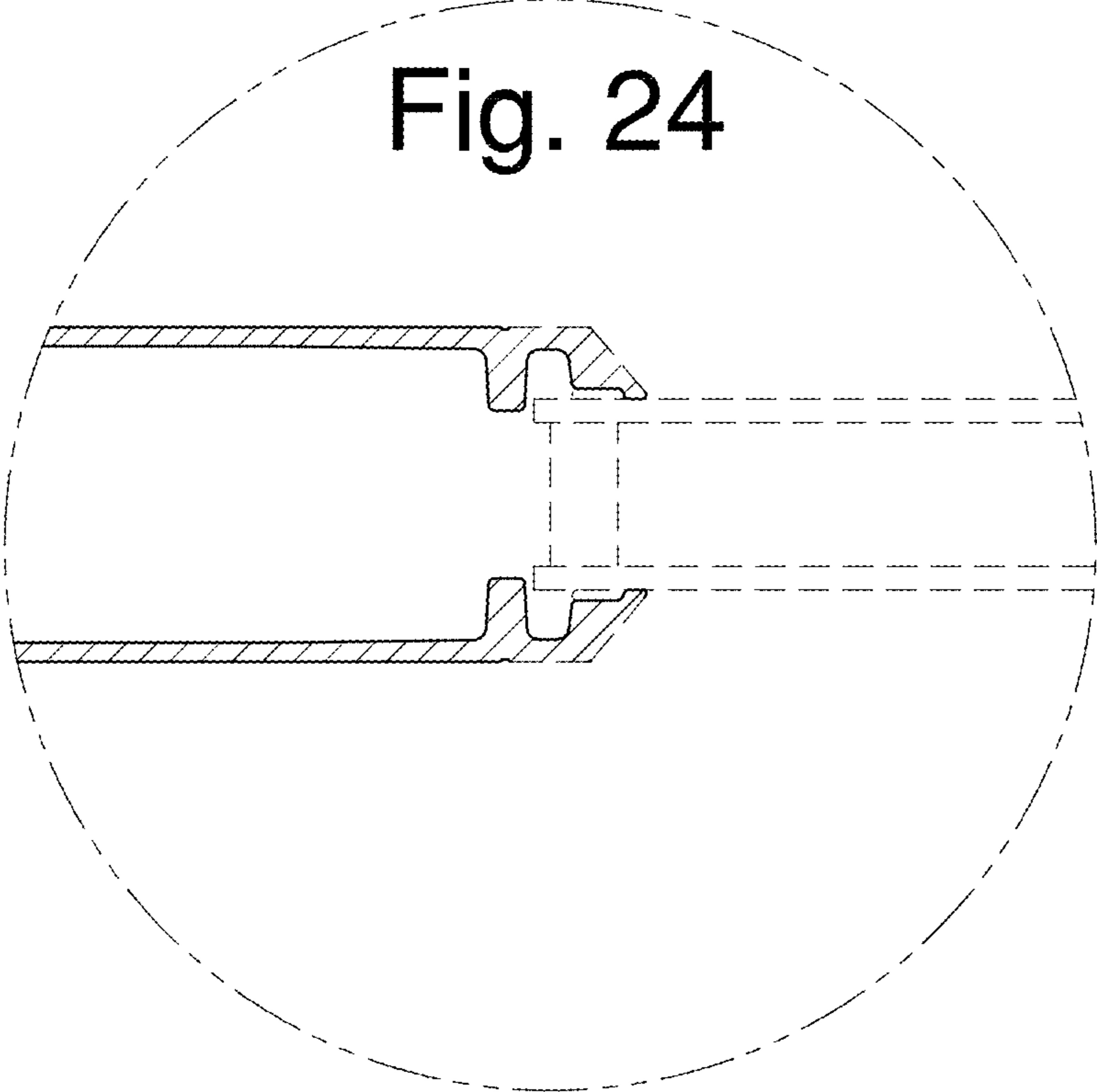


FIG. 26

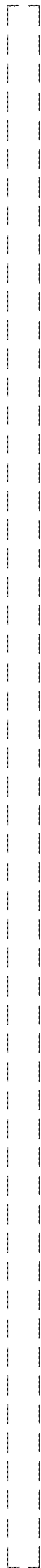


FIG. 27

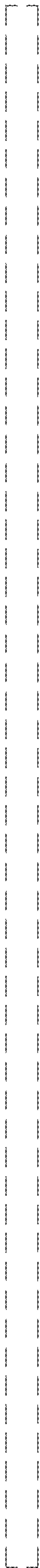
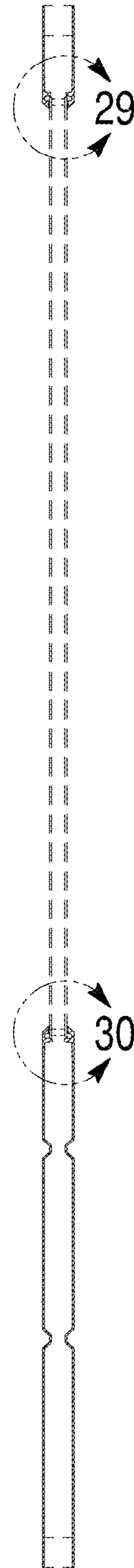


FIG. 28



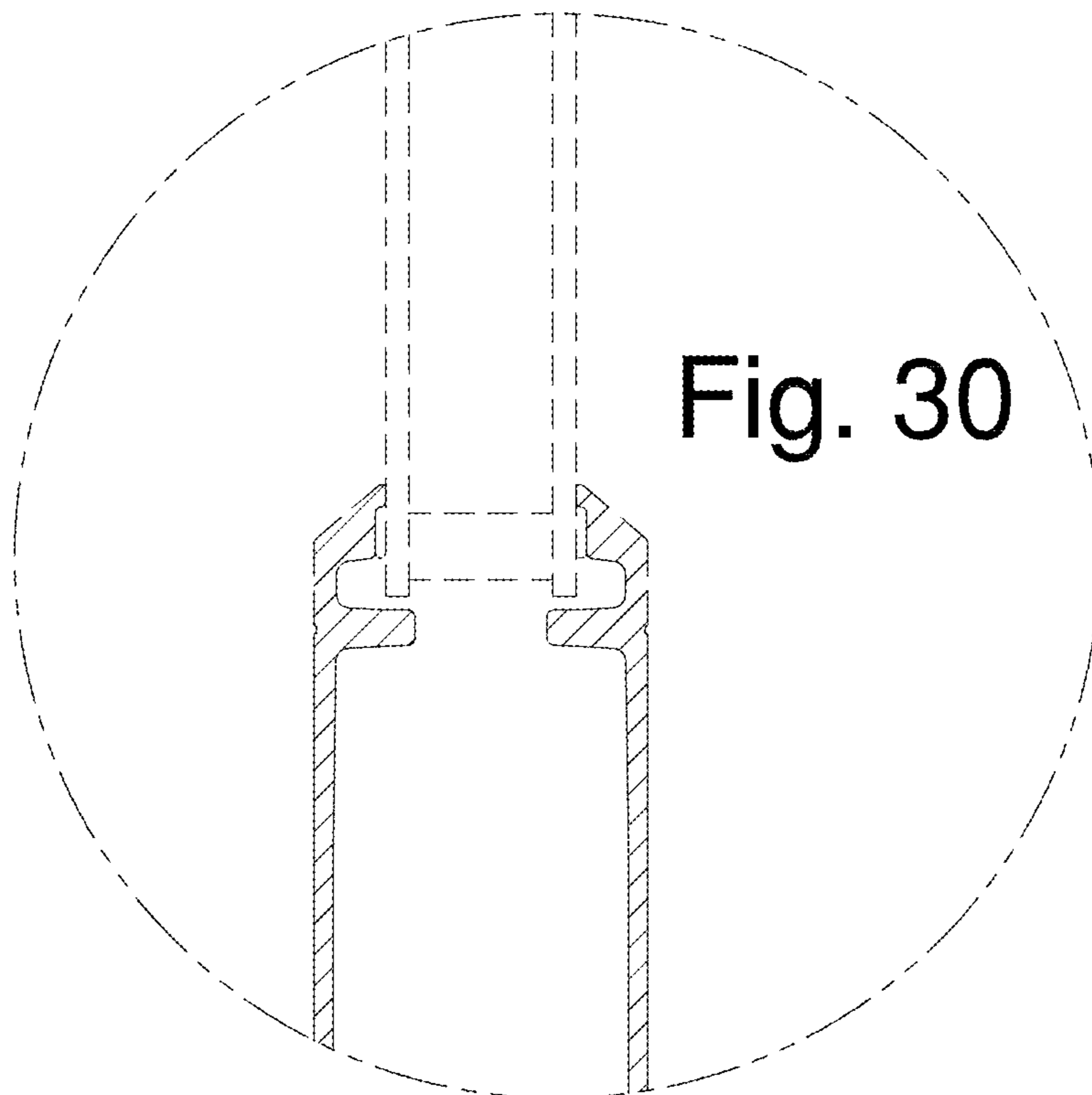
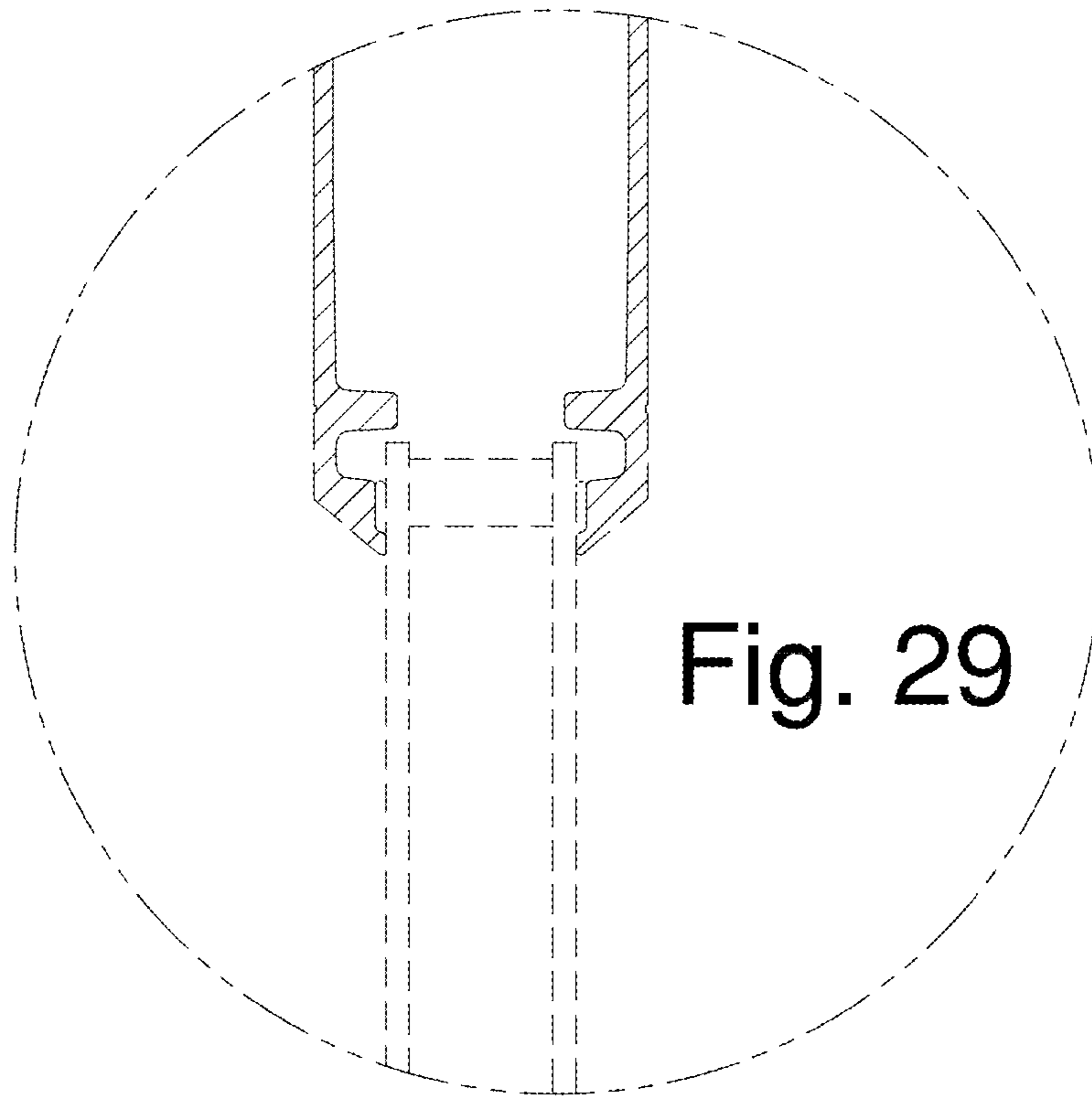


FIG.31

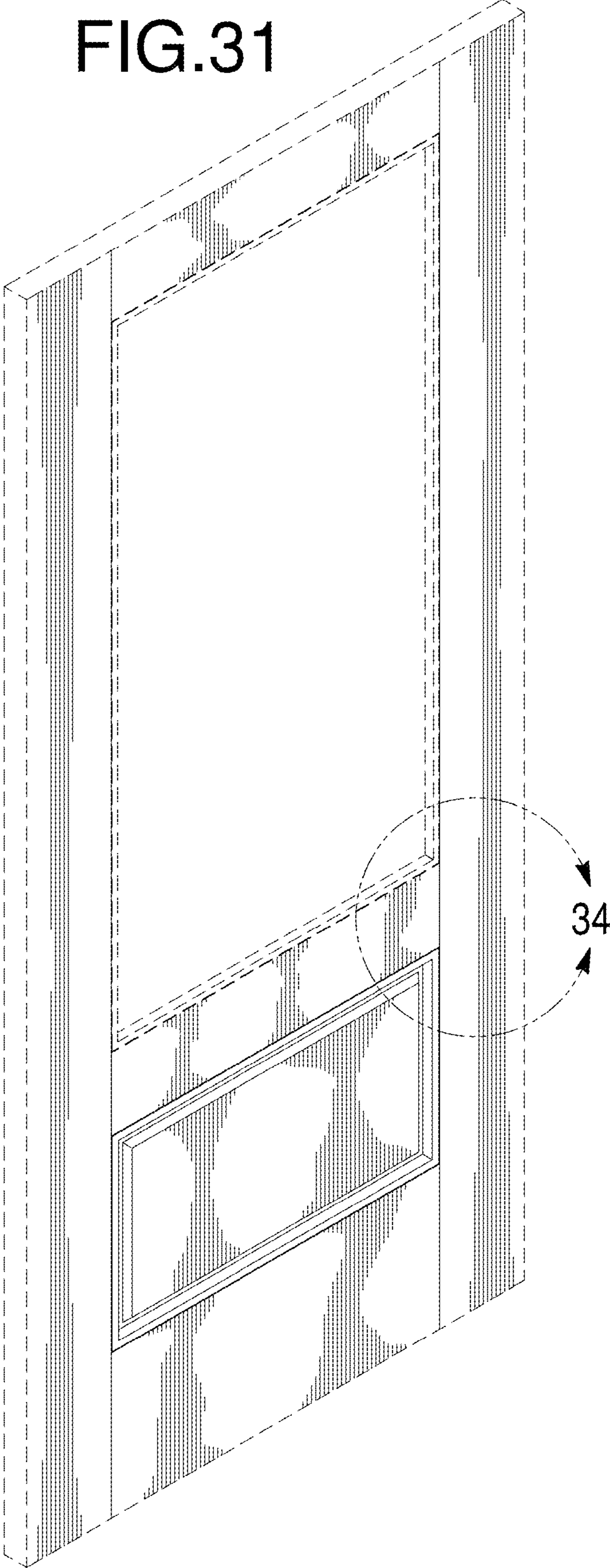


FIG. 32

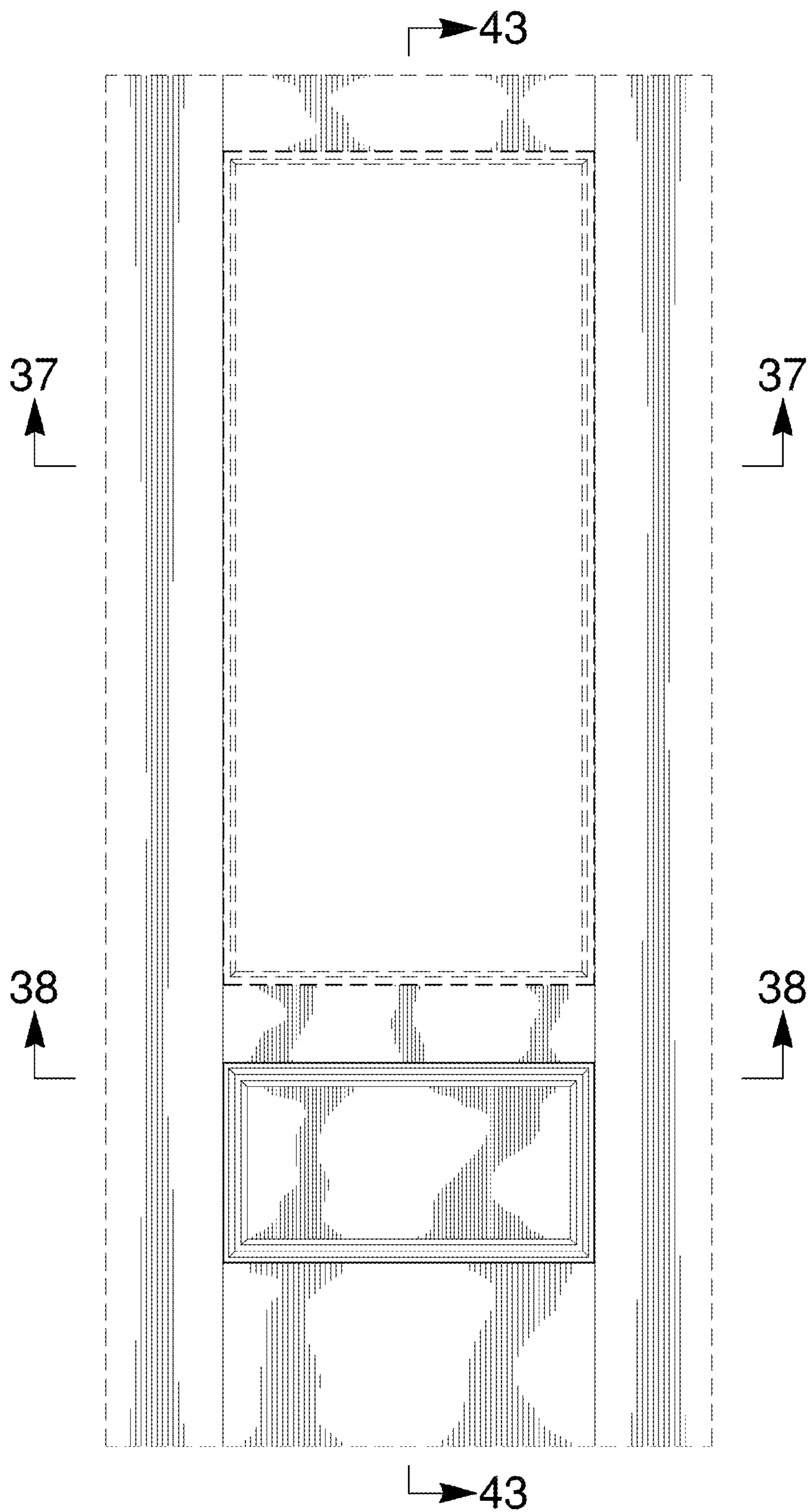


FIG. 33

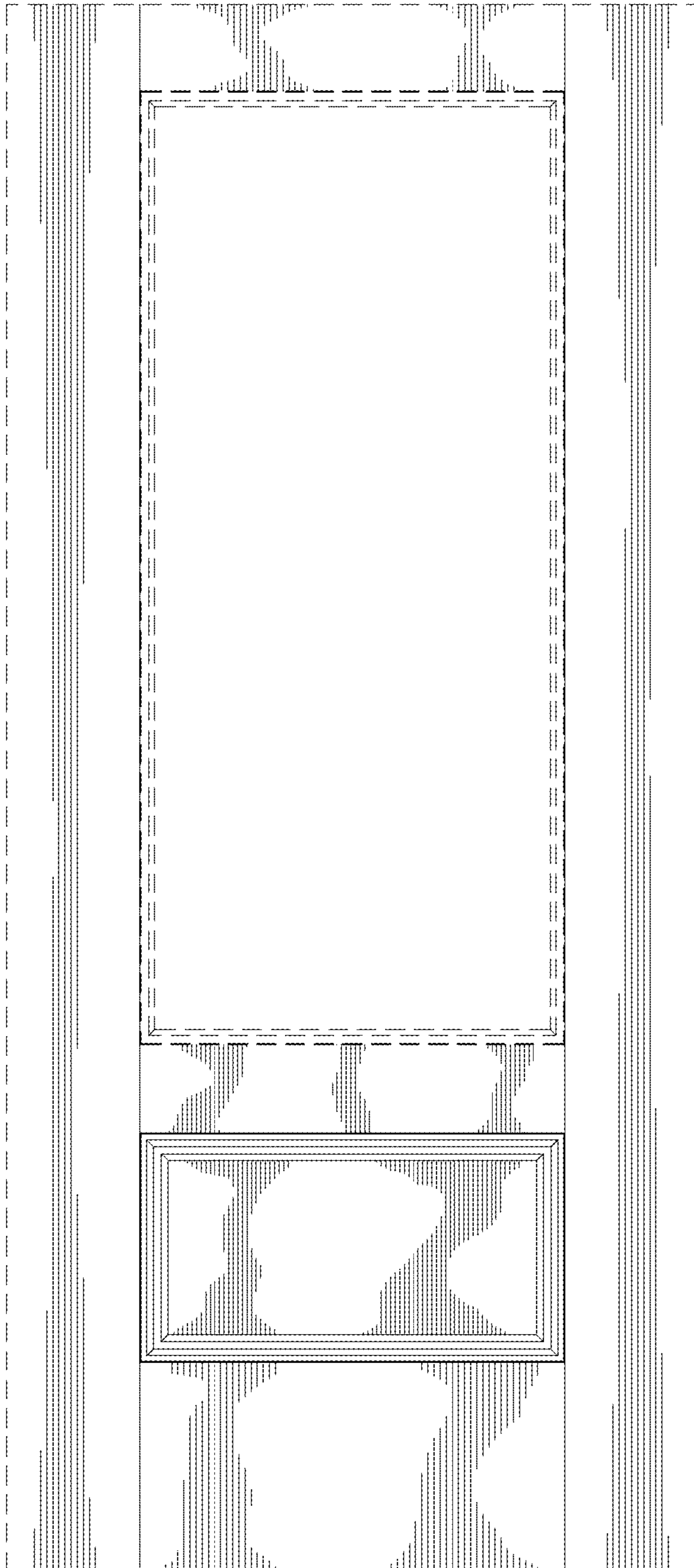


FIG. 34

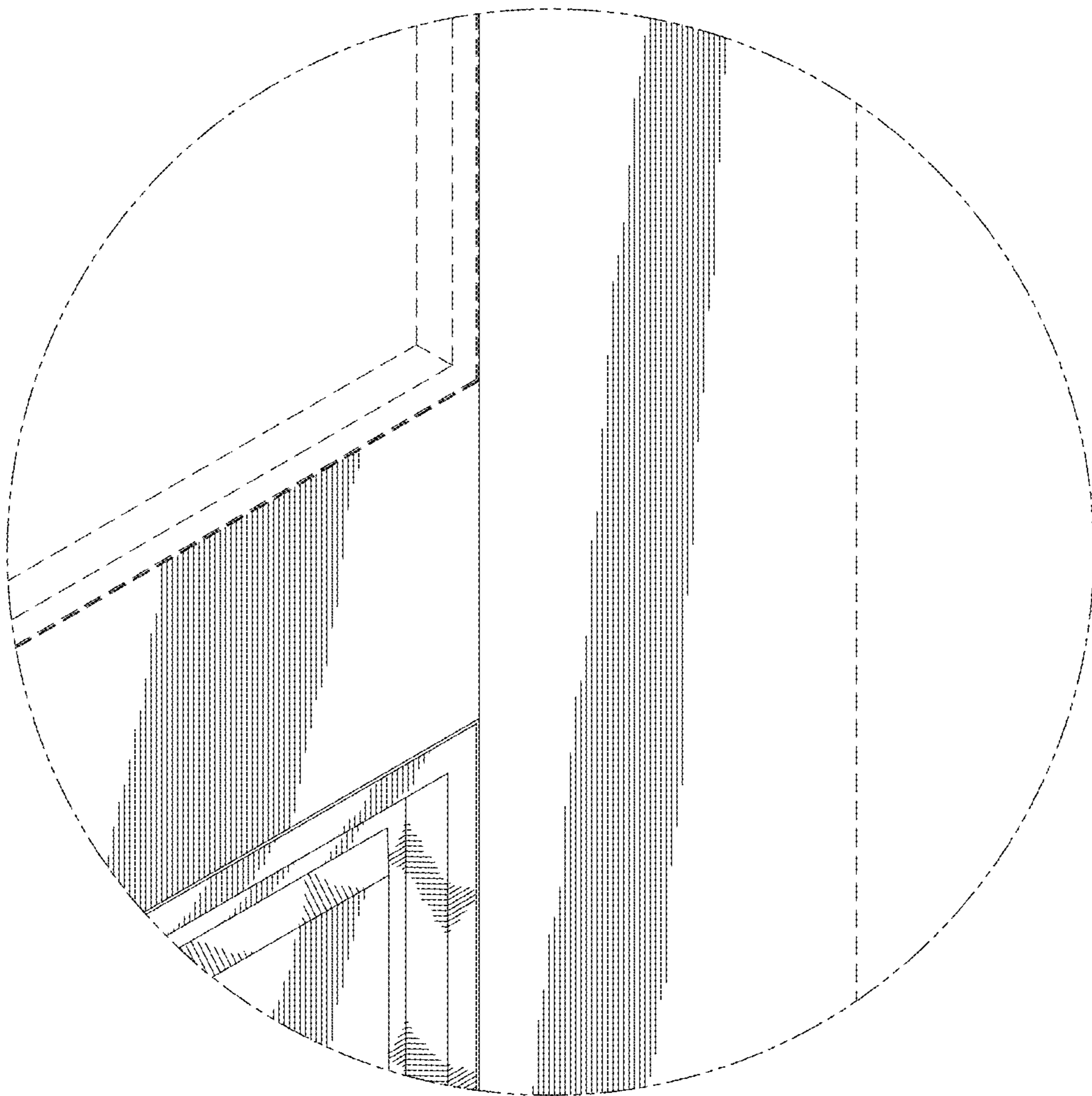


FIG. 35

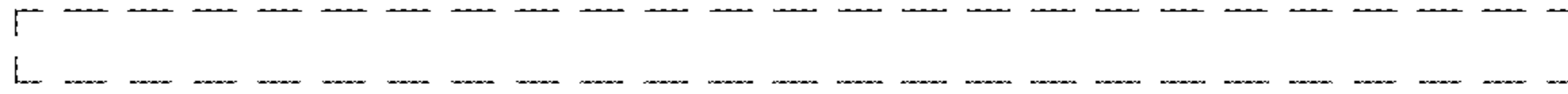


FIG. 36

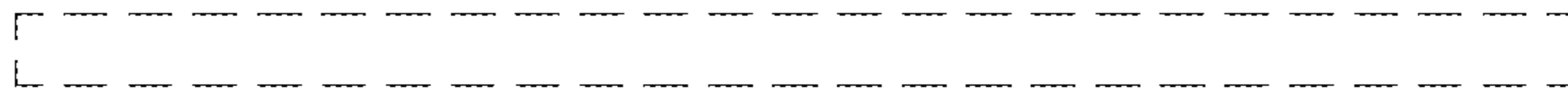


FIG. 37

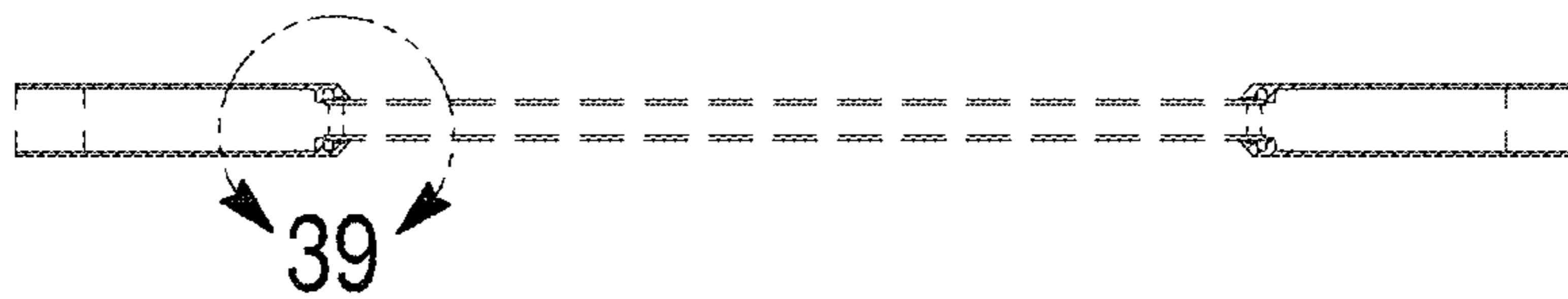


FIG. 38

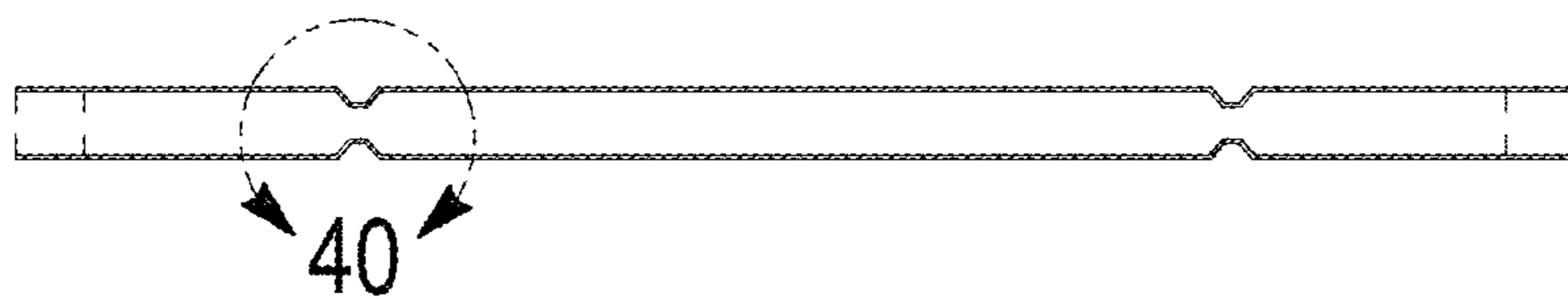


Fig. 39

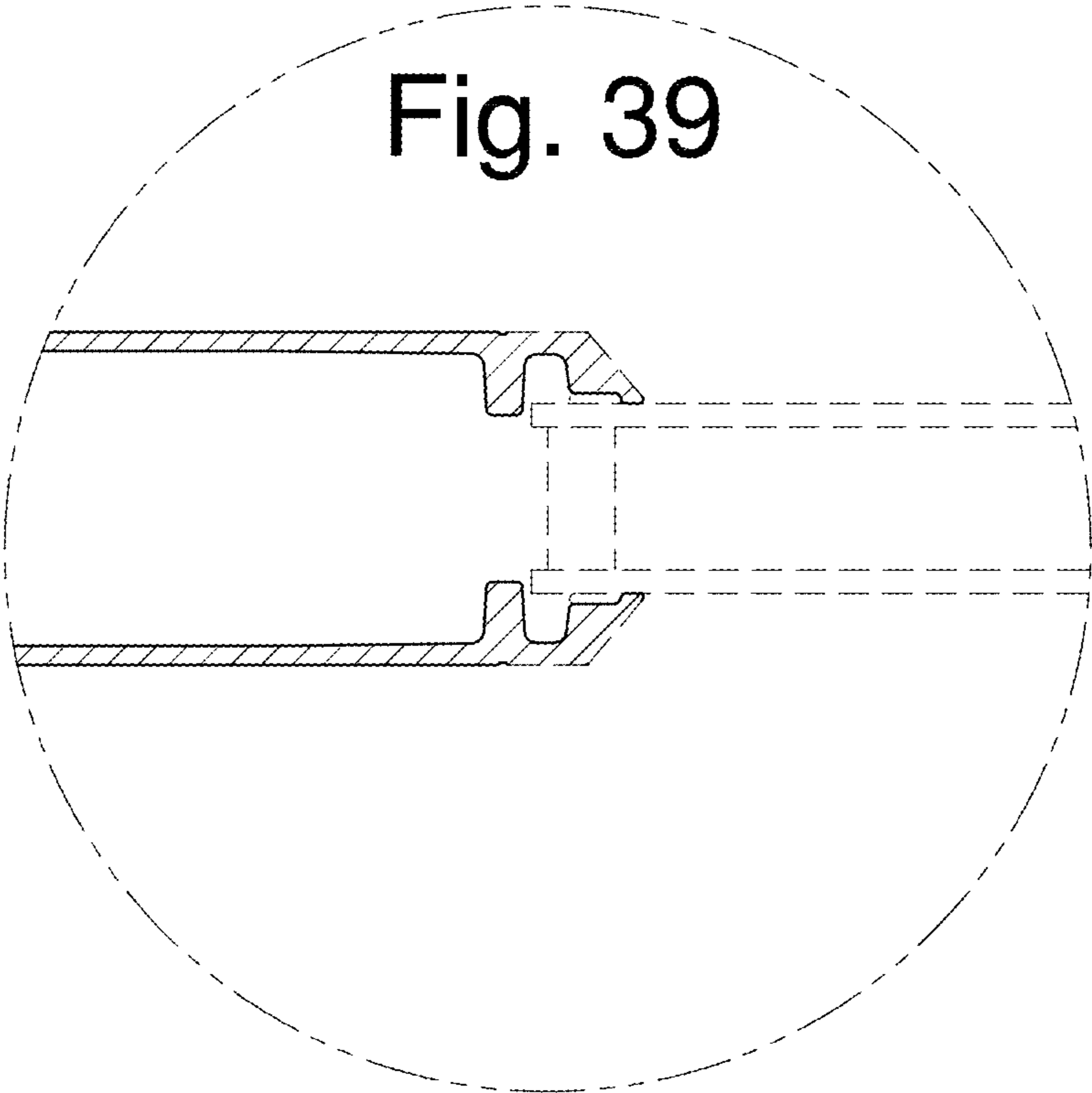


Fig. 40

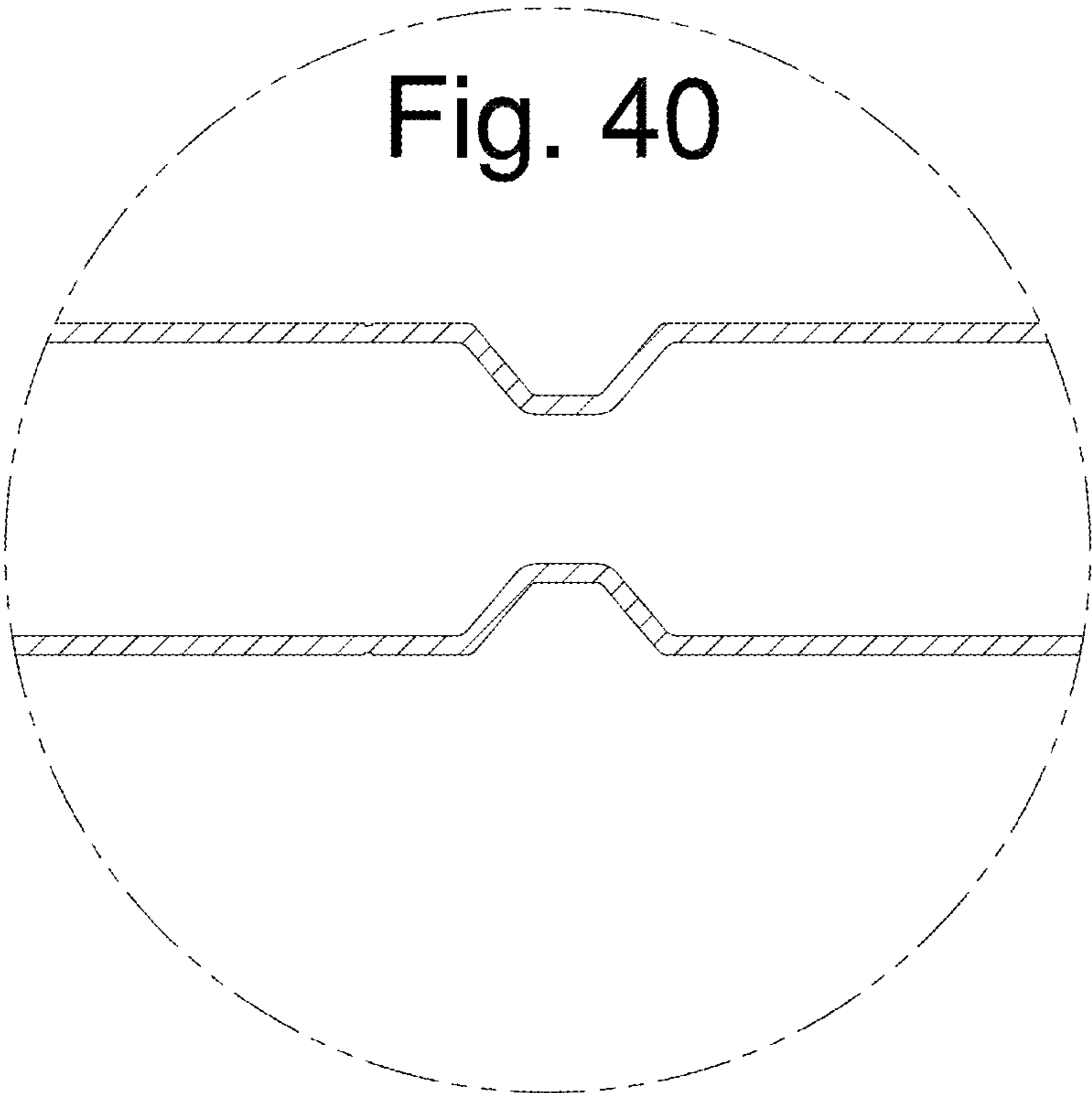


FIG. 41

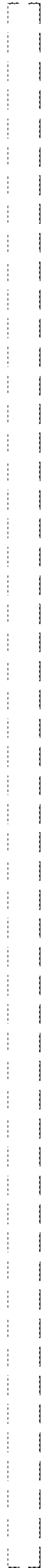


FIG. 42

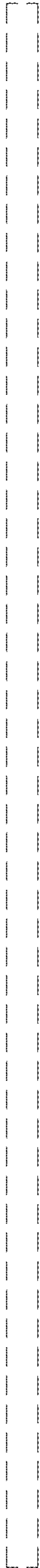
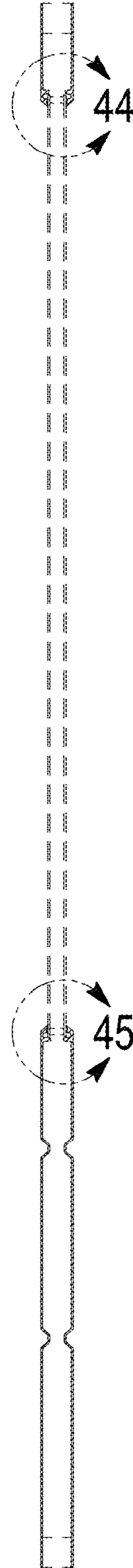


FIG. 43



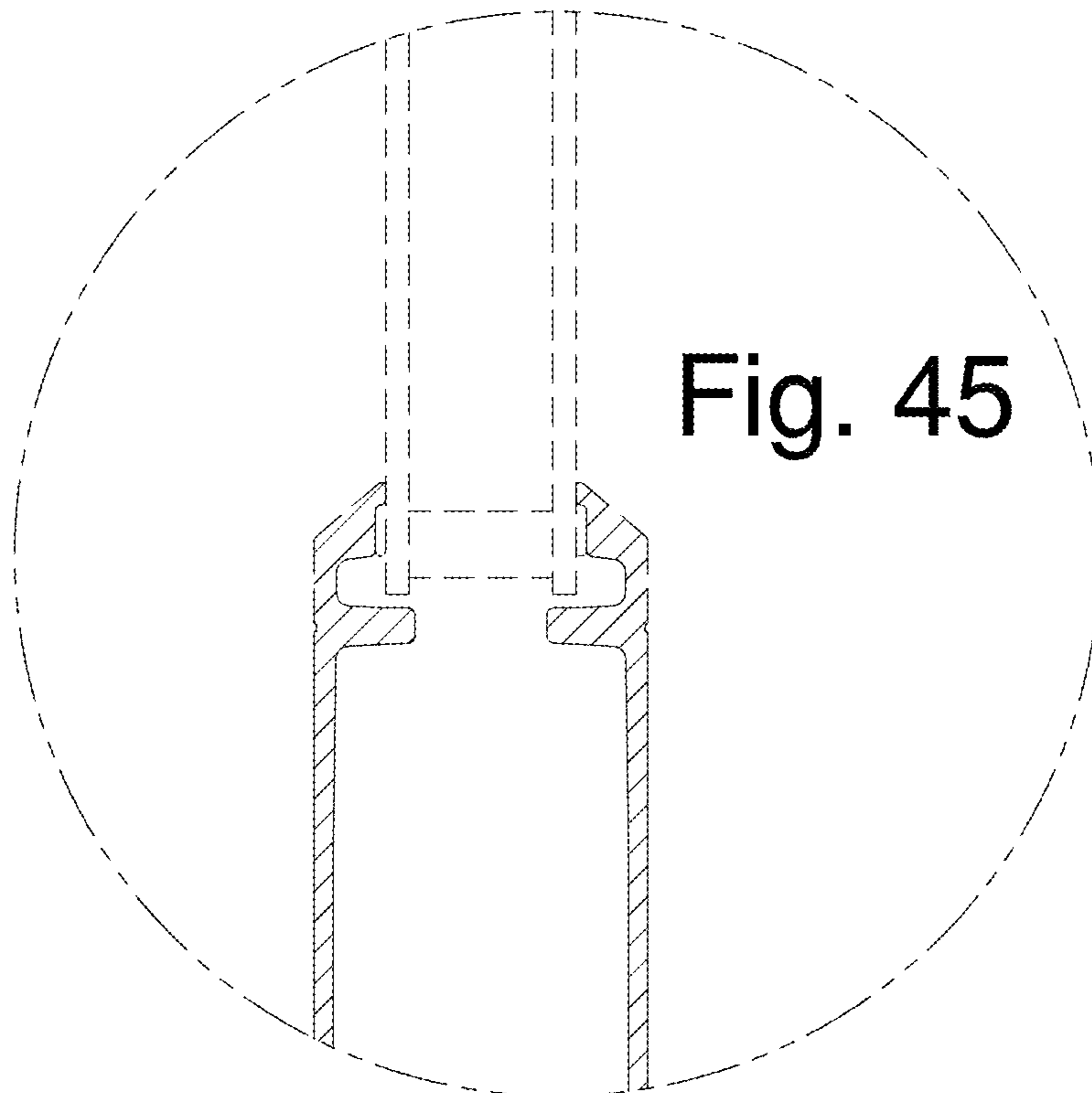
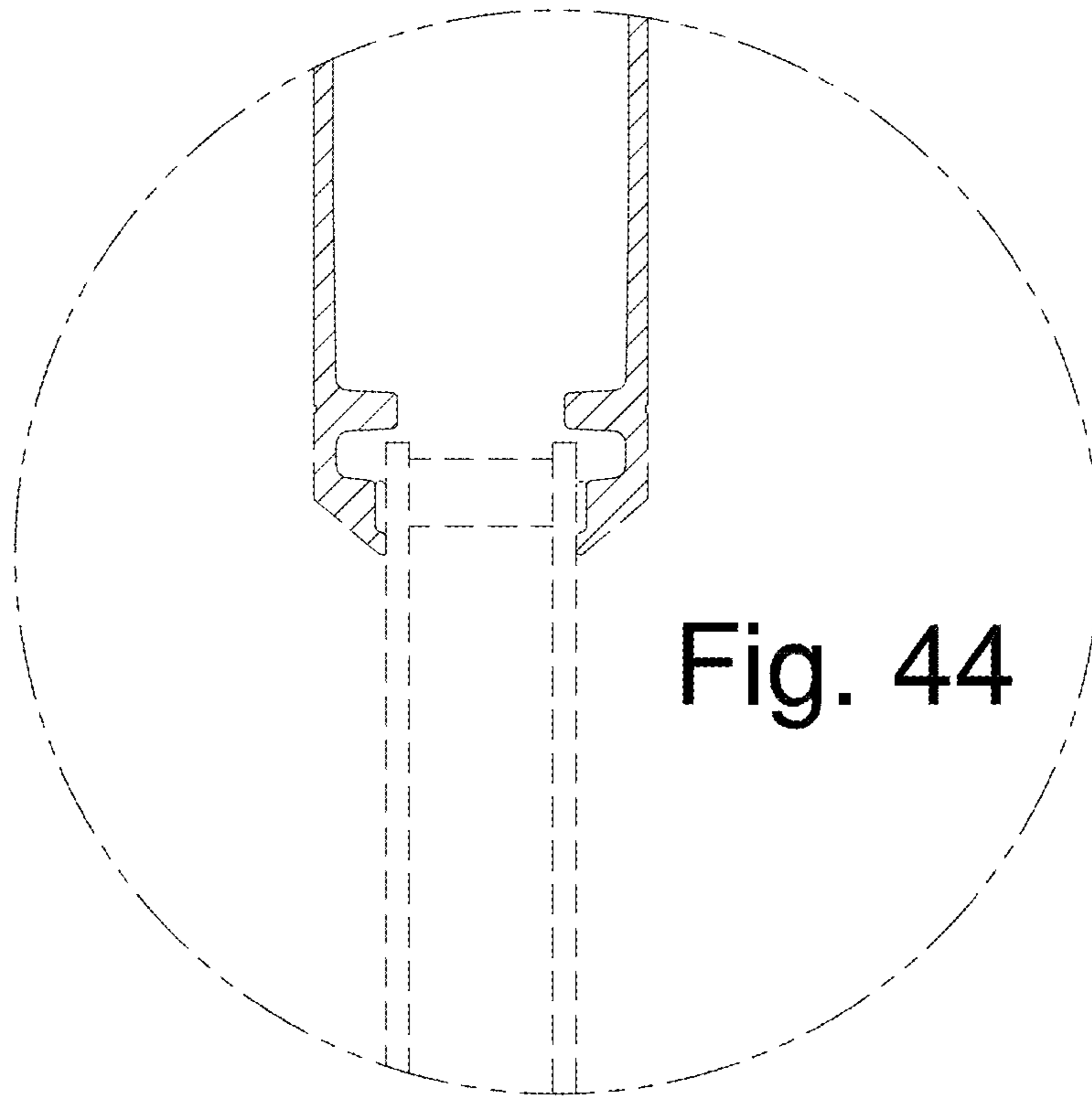


FIG. 46

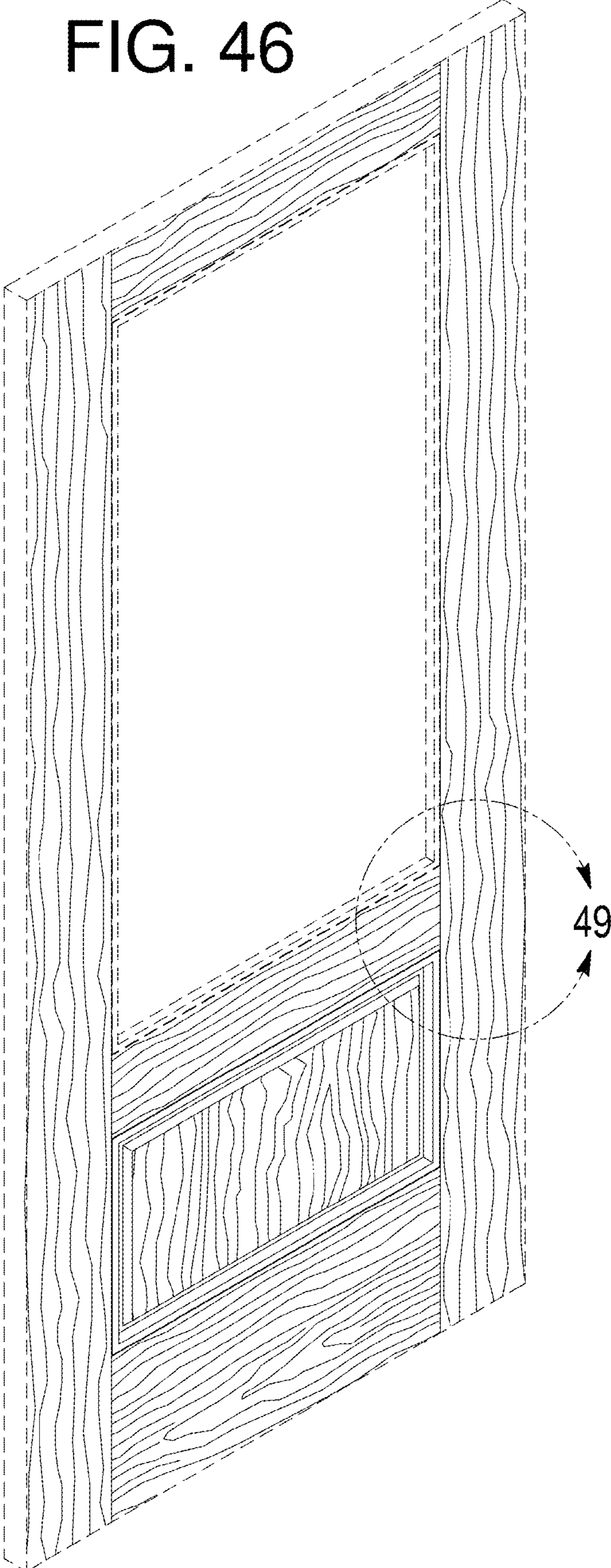


FIG. 47

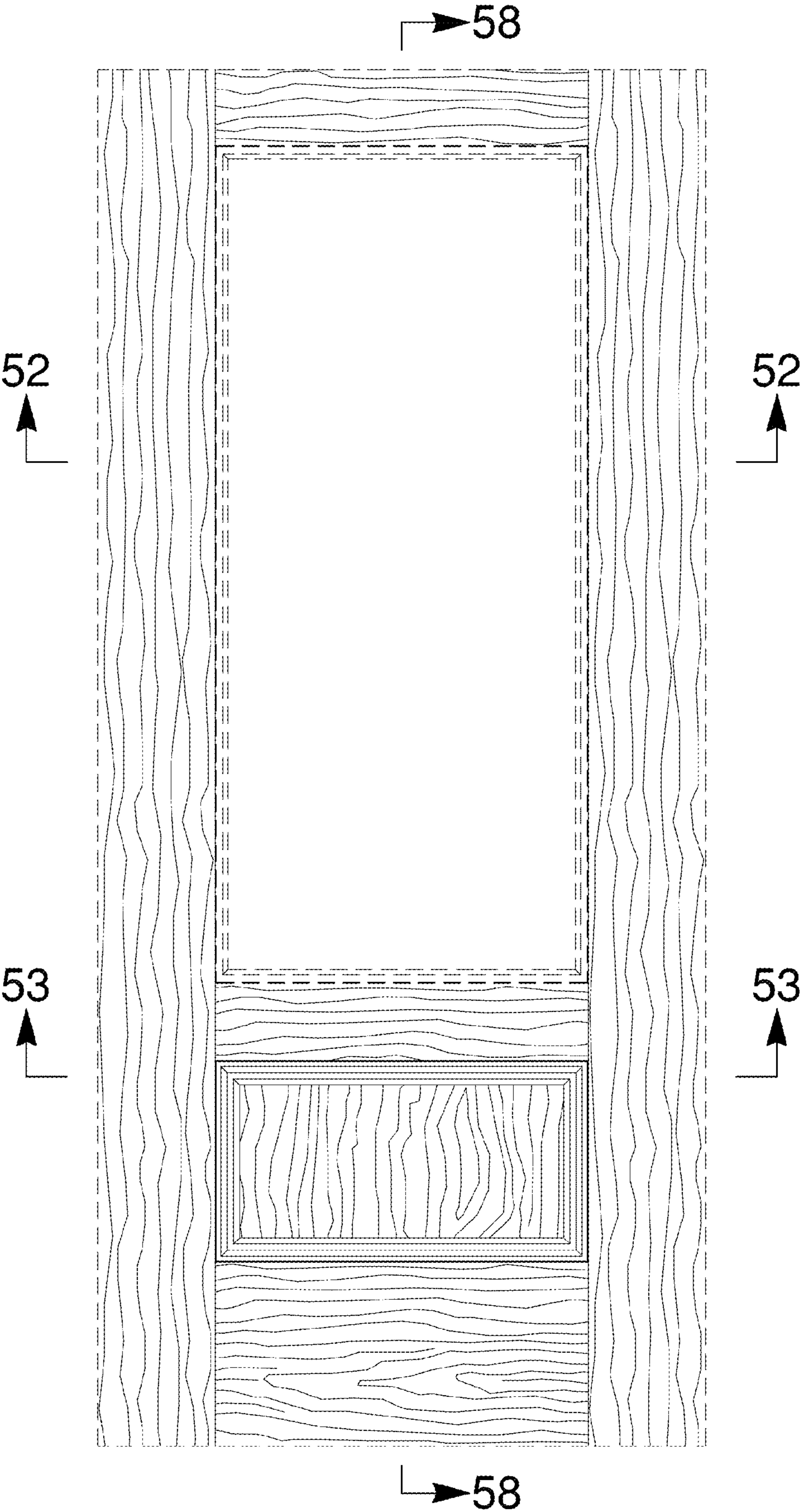


FIG. 48

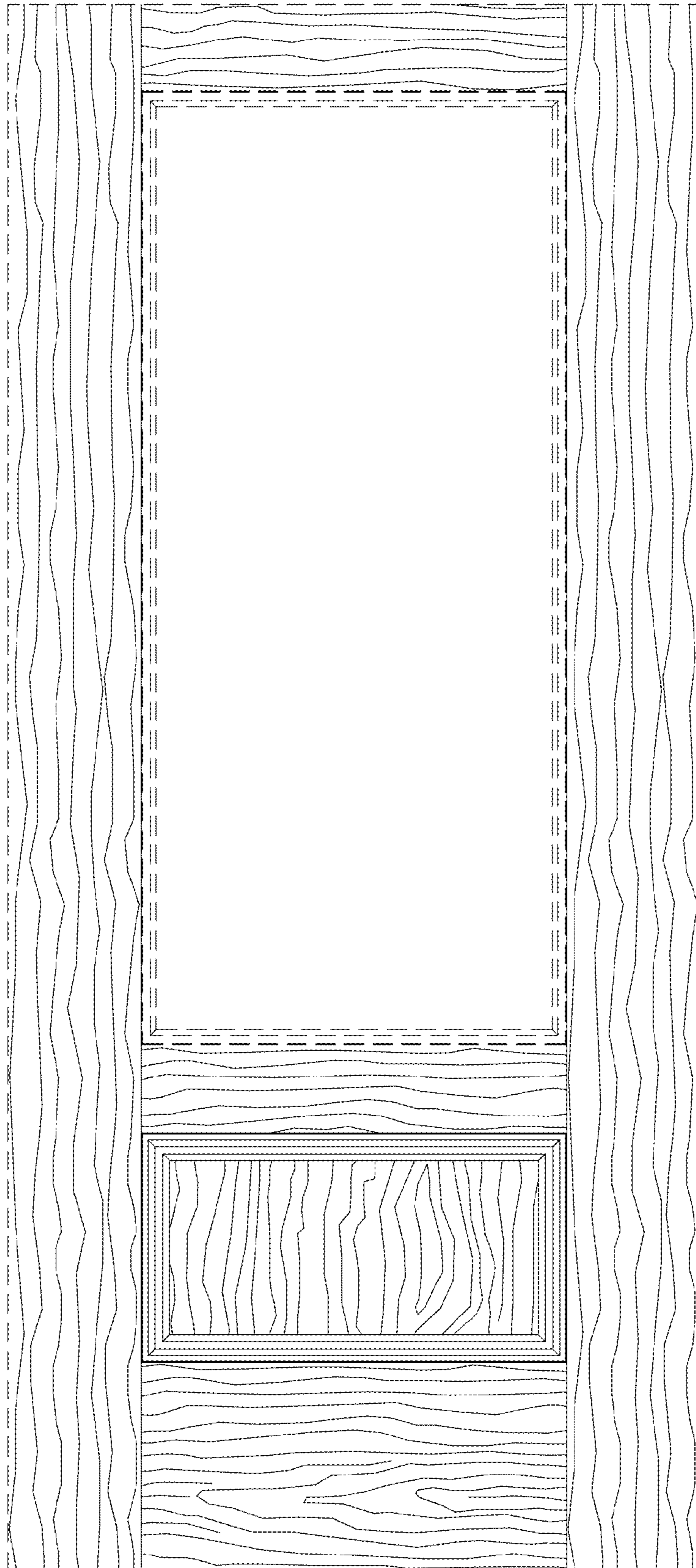


FIG. 49

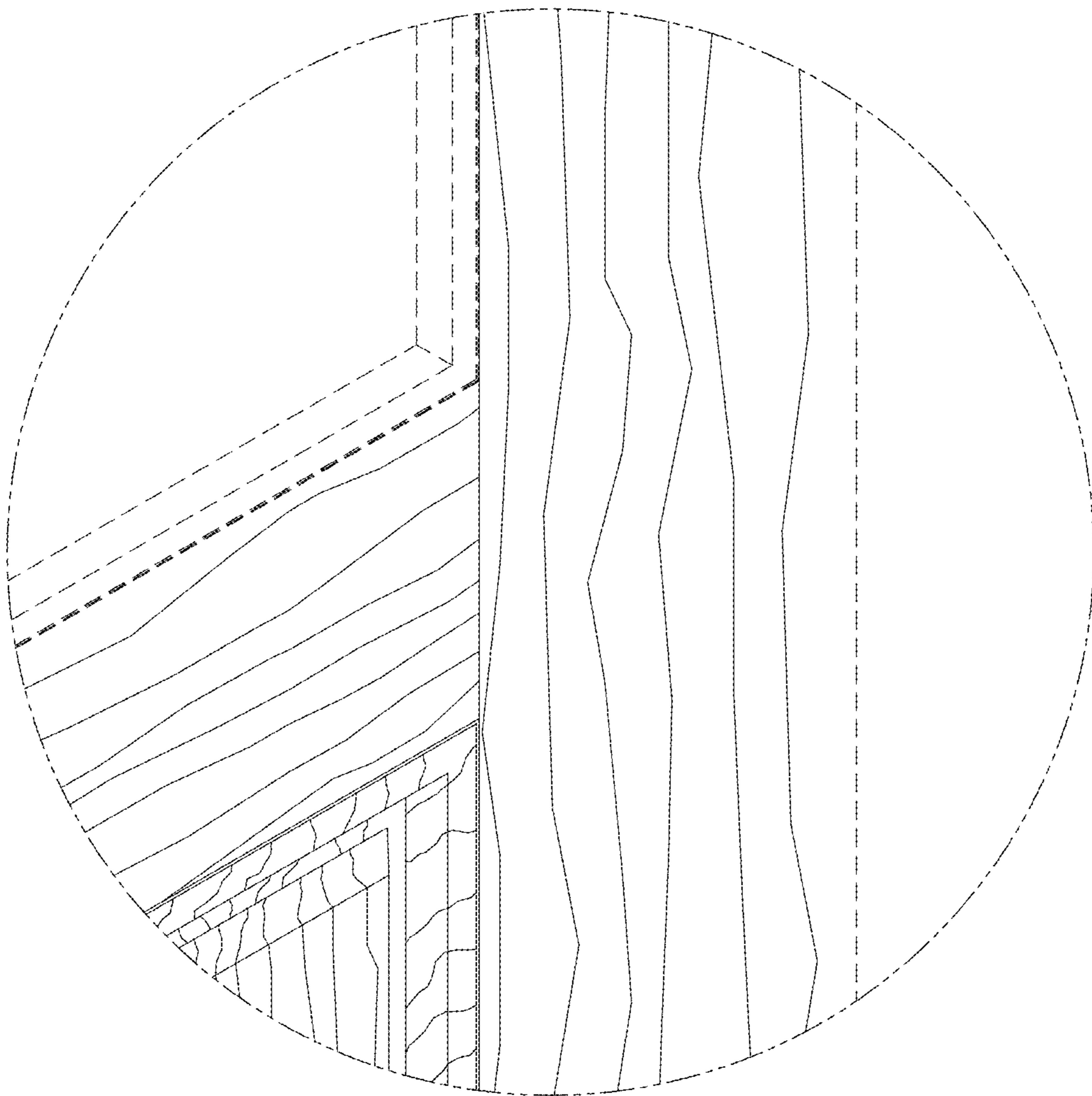


FIG. 50

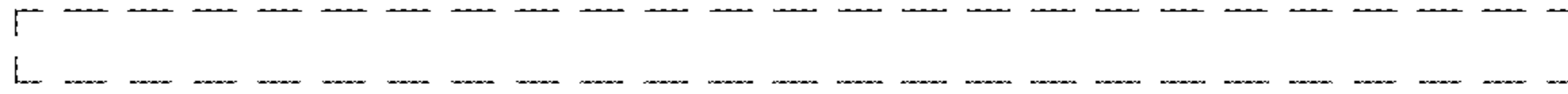


FIG. 51

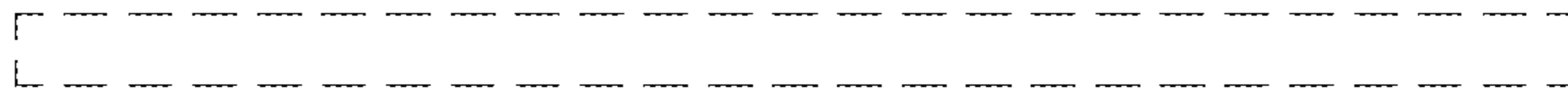


FIG. 52

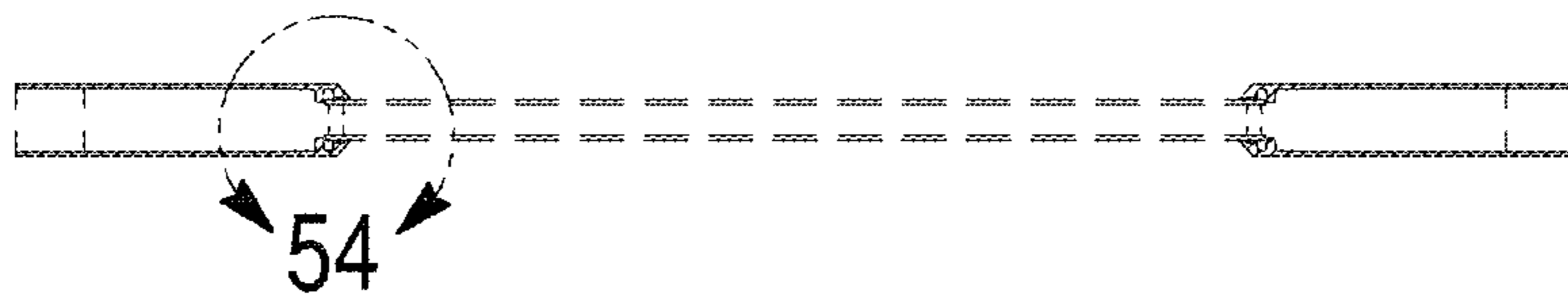


FIG. 53

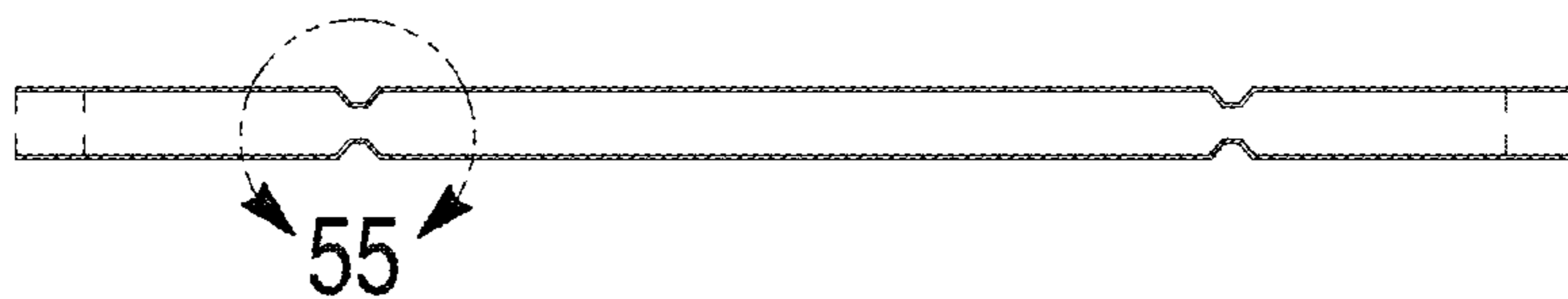


Fig. 54

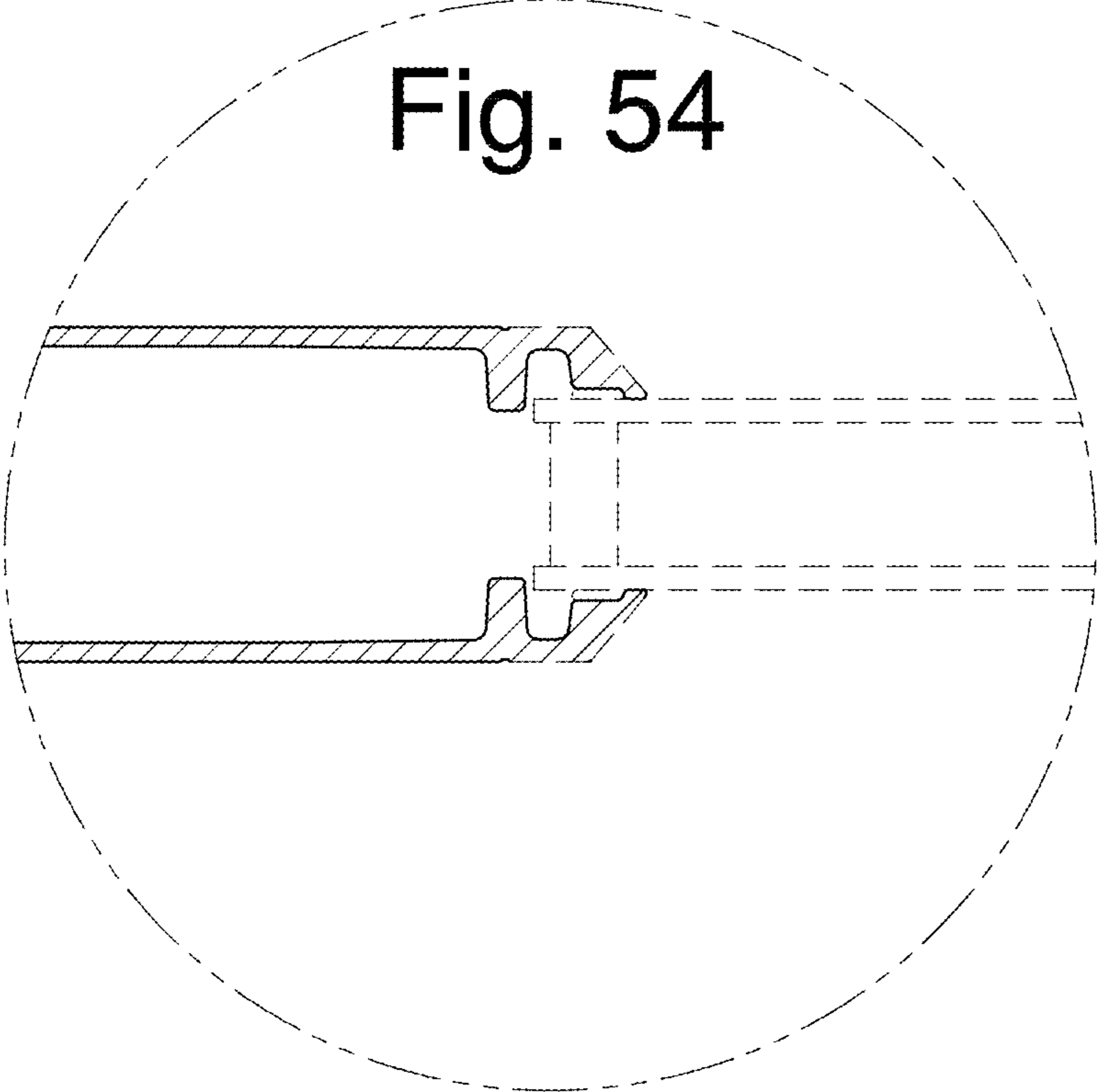


Fig. 55

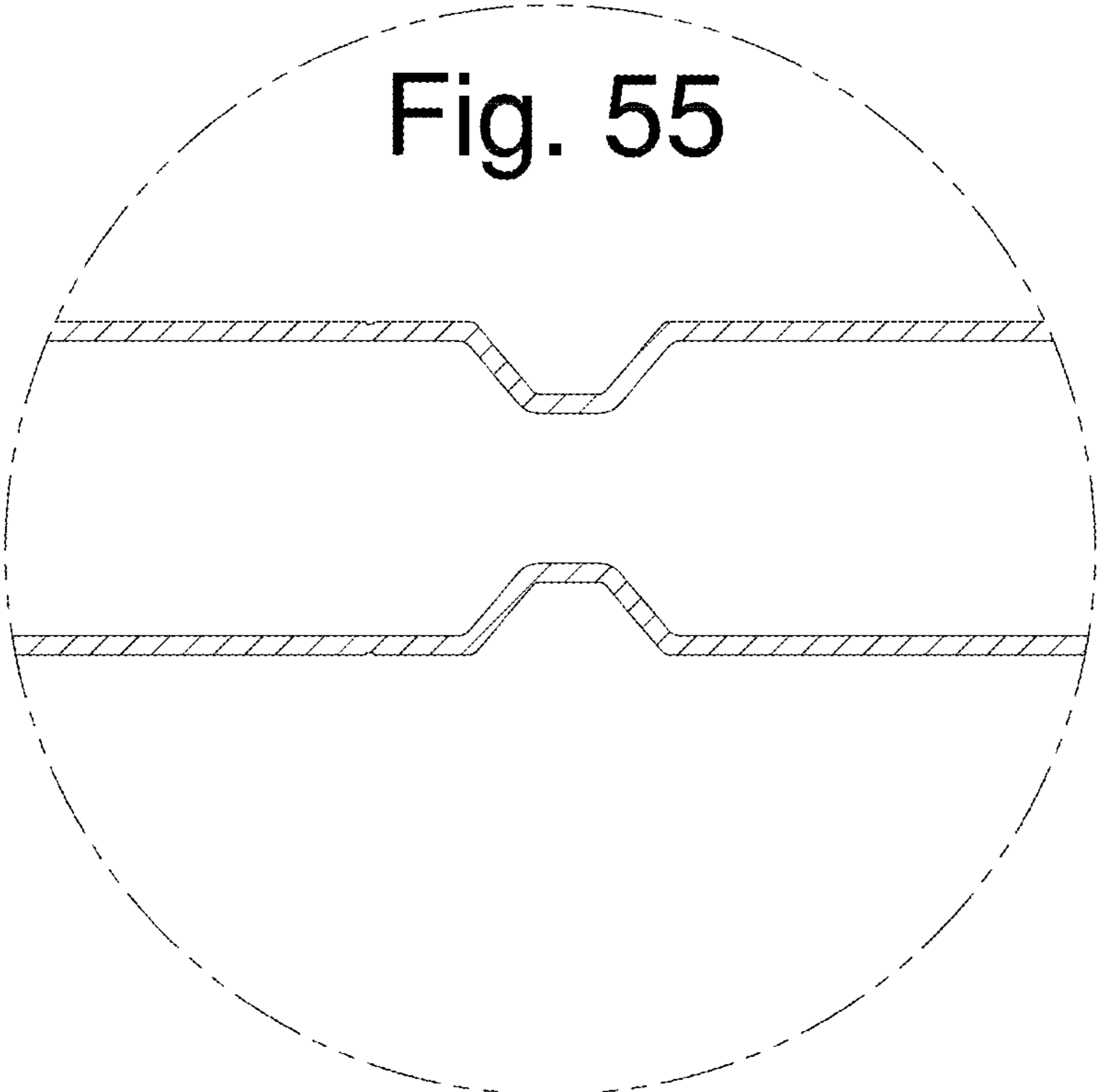


FIG. 56

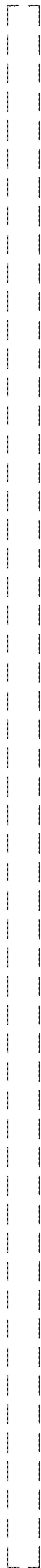


FIG. 57

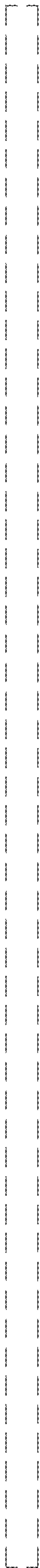


FIG. 58

