



US00D944414S

(12) **United States Design Patent** (10) **Patent No.:** **US D944,414 S**
Alsdorf et al. (45) **Date of Patent:** **** *Feb. 22, 2022**

(54) **DOOR FACING**

- (71) Applicant: **Masonite Corporation**, Tampa, FL (US)
- (72) Inventors: **Shaun Alsdorf**, Jackson, MO (US);
Timothy D. Gouge, Elgin, IL (US);
Robert C. Allen, Elburn, IL (US)
- (73) Assignee: **Masonite Corporation**, Tampa, FL (US)
- (*) Notice: This patent is subject to a terminal disclaimer.
- (**) Term: **15 Years**
- (21) Appl. No.: **29/735,157**
- (22) Filed: **May 19, 2020**

Related U.S. Application Data

- (63) Continuation of application No. 29/696,900, filed on Jul. 2, 2019, now Pat. No. Des. 884,921, which is a (Continued)
- (51) **LOC (13) Cl.** **25-02**
- (52) **U.S. Cl.**
USPC **D25/48.3**
- (58) **Field of Classification Search**
USPC D25/48.1, 48.3, 48.4, 48.5, 138 (Continued)

(56) **References Cited**

U.S. PATENT DOCUMENTS

1,018,896 A 2/1912 Frey
5,016,414 A 5/1991 Wang
(Continued)

FOREIGN PATENT DOCUMENTS

EM 000495395-0001 * 5/2006
EM 000802152-0011 1/2008
(Continued)

OTHER PUBLICATIONS

http://en.jeld-wen.ca/interior_doors/natural_wood/premium_wood_e/panel/ Available May 10, 2012.
(Continued)

Primary Examiner — Leanne Was-Englehart
(74) *Attorney, Agent, or Firm* — Berenato & White, LLC

(57) **CLAIM**

The ornamental design for a door facing, as shown and described.

DESCRIPTION

FIG. 1 is a front perspective view of a first embodiment of a door facing, showing our new design;
FIG. 2 is a front elevational view thereof;
FIG. 3 is a rear elevational view thereof;
FIG. 4 is a top plan view thereof;
FIG. 5 is a bottom plan view thereof;
FIG. 6 is a cross sectional view taken along the line 6-6 in FIG. 2;
FIG. 7 is a cross-sectional view taken along the line 7-7 in FIG. 2;
FIG. 8 is an enlarged view of a portion of the door facing shown in the circle "8" of FIG. 7;
FIG. 9 is a left side elevational view thereof;
FIG. 10 is a right side elevational view thereof;
FIG. 11 is a cross sectional view taken along the line 11-11 in FIG. 2;
FIG. 12 is a front perspective view of a second embodiment of the door facing, showing our new design;
FIG. 13 is a front elevational view thereof;
FIG. 14 is a rear elevational view thereof;
FIG. 15 is a top plan view thereof;
FIG. 16 is a bottom plan view thereof;
FIG. 17 is a cross sectional view taken along the line 17-17 of FIG. 13;
FIG. 18 is a cross sectional view taken along the line 18-18 of FIG. 13;
FIG. 19 is an enlarged view of a portion of the door facing shown in the circle "19" of FIG. 18;
FIG. 20 is a left side elevational view thereof;

(Continued)

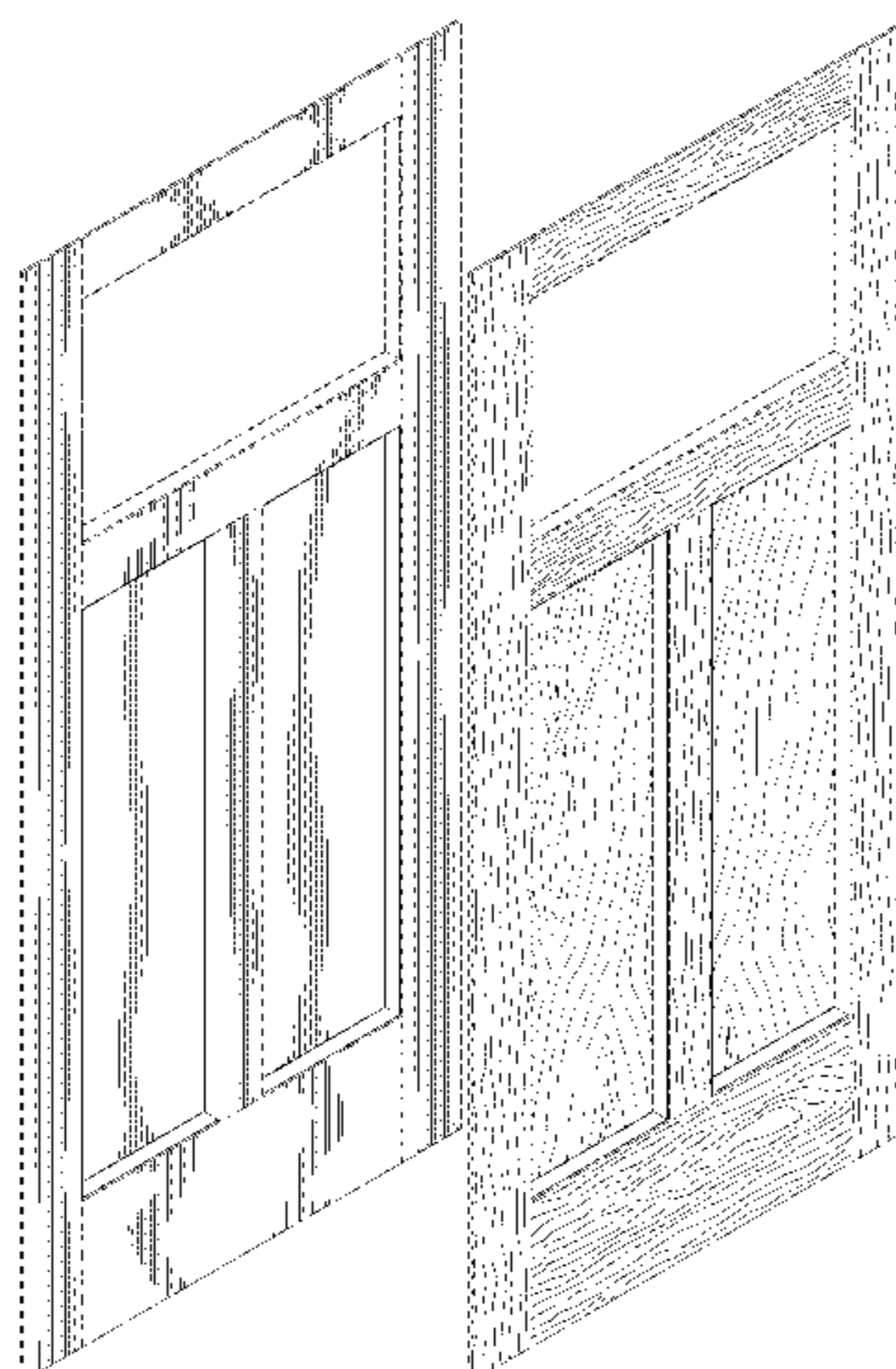


FIG. 21 is a right side elevational view thereof; and, FIG. 22 is a cross sectional view taken along the line 22-22 of FIG. 13.

The profiles of FIGS. 8 and 19 extend continuously about all panels of the associated door facings.

The dash-dash broken lines designate unclaimed features of panels of the door facing and seams on the front of the door facing, and form no part of the claimed design.

The dot-dot-dash broken lines of FIGS. 7, 8, 18, and 19 depict the limits of the enlarged views and form no part of the claimed design.

1 Claim, 12 Drawing Sheets

Related U.S. Application Data

continuation of application No. 29/625,958, filed on Nov. 14, 2017, now Pat. No. Des. 852,982, which is a continuation of application No. 29/534,838, filed on Jul. 31, 2015, now Pat. No. Des. 802,794, which is a continuation of application No. 29/479,197, filed on Jan. 13, 2014, now Pat. No. Des. 736,410.

(58) **Field of Classification Search**

CPC E06B 3/4636; E06B 3/485; E06B 3/58; E06B 3/5892; E06B 3/72; E06B 3/78; E06B 2003/7044; E06B 1/04; E06B 5/00
See application file for complete search history.

(56) **References Cited**

U.S. PATENT DOCUMENTS

5,293,726	A	3/1994	Schick	
D467,350	S	12/2002	Jimenez et al.	
D510,771	S *	10/2005	Walsh	D25/138
D516,226	S	2/2006	Lynch et al.	
7,022,414	B2	4/2006	Davina et al.	
D526,418	S *	8/2006	Walsh	D25/138
D528,664	S	9/2006	Lynch et al.	
D528,665	S	9/2006	Lynch et al.	
D529,189	S	9/2006	Walsh et al.	
D536,099	S	1/2007	Walsh et al.	
D538,440	S	3/2007	Walsh et al.	
D543,641	S *	5/2007	Walsh	D25/138

D552,252	S	10/2007	Davina et al.	
D553,755	S	10/2007	Davina et al.	
D576,289	S	9/2008	Steiber et al.	
D587,813	S	3/2009	Steiber et al.	
D588,710	S	3/2009	Walsh et al.	
D598,134	S	8/2009	Davina et al.	
D607,120	S	12/2009	Davina et al.	
D607,121	S	12/2009	Davina et al.	
D614,310	S	4/2010	Davina et al.	
D616,109	S	5/2010	Steiber et al.	
D683,865	S *	6/2013	Walsh	D25/48.3
D687,164	S *	7/2013	Walsh	D25/48.3
D695,912	S *	12/2013	Walsh	D25/48.3
D698,040	S *	1/2014	Walsh	D25/48.3
D733,929	S *	7/2015	Alsdorf	D25/48.3
D736,410	S *	8/2015	Alsdorf	D25/48.3
D743,573	S *	11/2015	Walsh	D25/48.3
D745,702	S *	12/2015	Walsh	D25/48.3
9,534,440	B2	1/2017	Gouge	
9,752,378	B2 *	9/2017	Gouge	E06B 3/78
D802,794	S *	11/2017	Alsdorf	D25/48.3
D852,982	S *	7/2019	Alsdorf	D25/48.3
D884,921	S *	5/2020	Alsdorf	D25/48.3
2010/0229500	A1	9/2010	Lynch et al.	
2016/0040476	A1 *	2/2016	Gouge	E06B 3/78 52/784.16
2017/0114589	A1 *	4/2017	Gouge	E06B 3/7001
2017/0362884	A1 *	12/2017	Gouge	E06B 3/7001
2020/0248499	A1 *	8/2020	Gouge	B27N 7/005

FOREIGN PATENT DOCUMENTS

EM	002540633-0001	10/2014
EM	002540633-0002	10/2014

OTHER PUBLICATIONS

<https://p.widencdn.net/fiiea3/moldeddimensionalspecs> Feb. 28, 2018 (Year: 2018).
https://www.homedepot.com/p/JELD-WEN-36-in-x-80-in-Craftsman-Primed-Smooth-Molded-Composite-M-D-F-Interior-Door-Slab-TH-DJW13-7100142/202646599?cm_mmc=Shopping%7cTHD%7cG%7c0%7cG-BASE-PLA-D30-Doors%7c&gclid=EALalQobChMklMqattPE2wIVikoNCh3tkgADEAQYCiABEgLL2PD_BwE&dclid=CODy8r3TxNsCFVJCDAodaEAPLw Jun. 12, 2011 (Year: 2011).
http://thedoortfactoryfl.com/residential_doors_fort_lauderdale_florida/index.php/catalogs/2012-06-03-13-59-03/2012-06-03-14-22-22/masonite-interior-doors Jun. 3, 2012 (Year: 2012).

* cited by examiner

FIG. 1

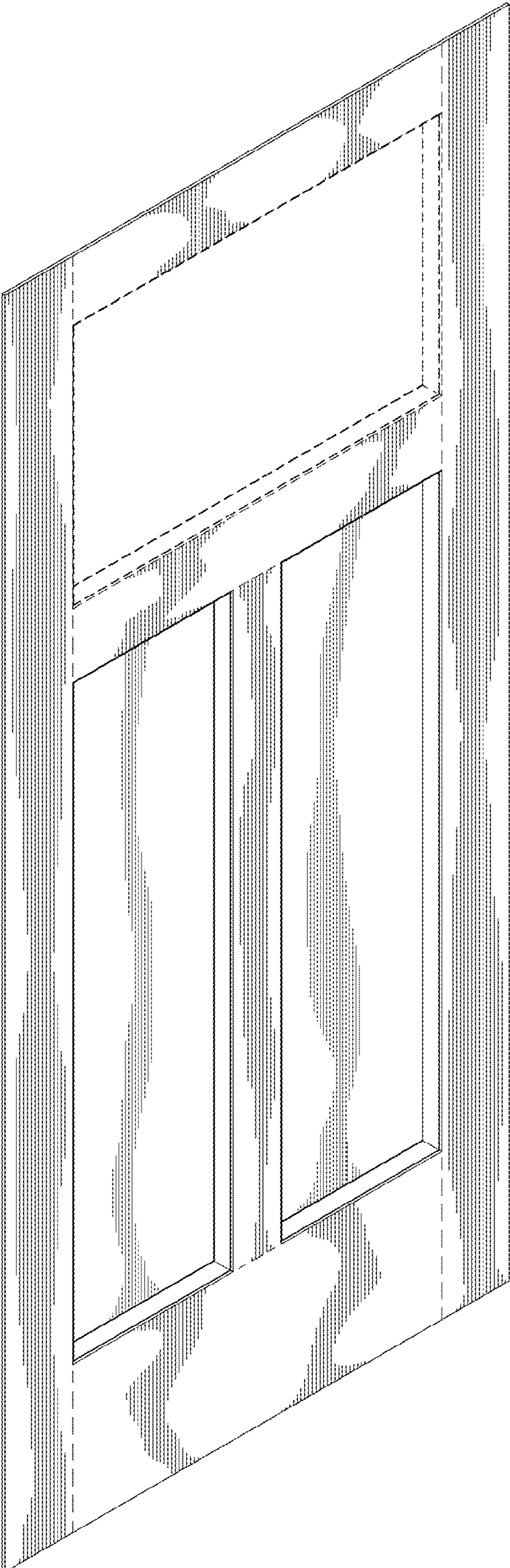


FIG. 2

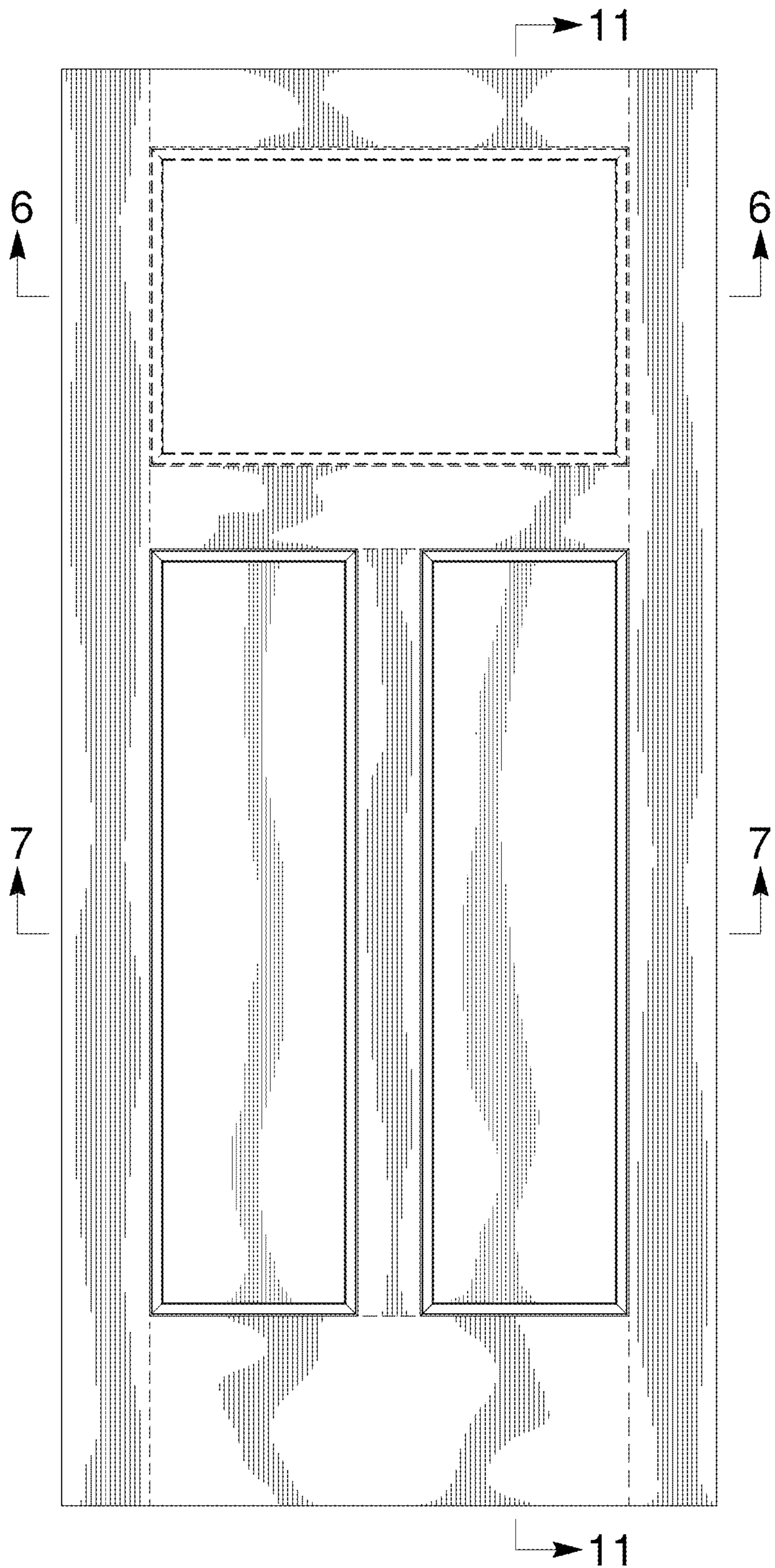


FIG. 3

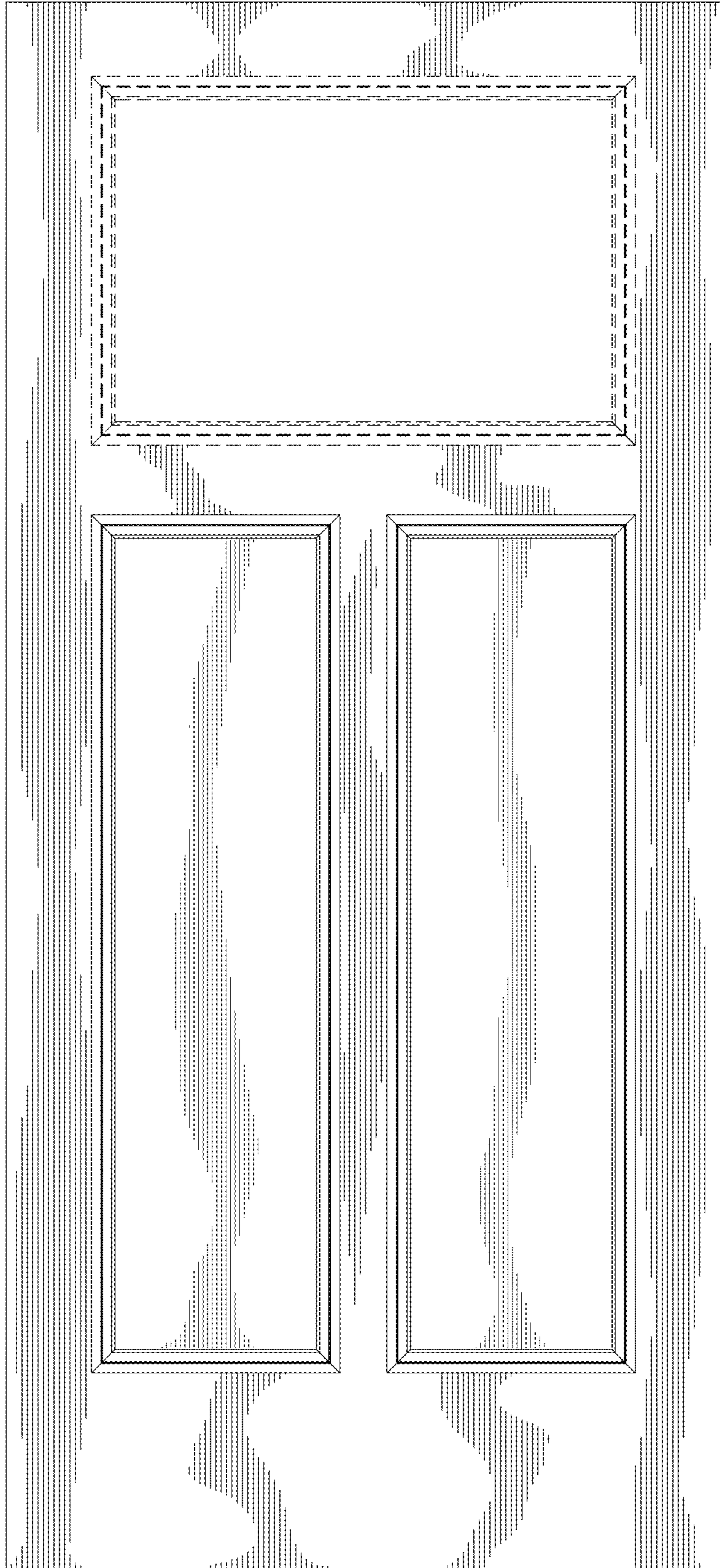


FIG. 4

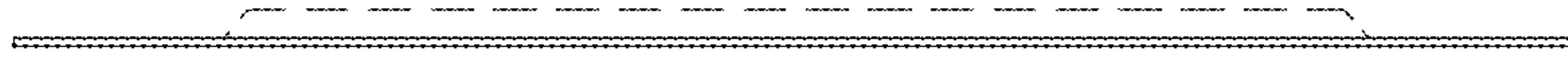


FIG. 5

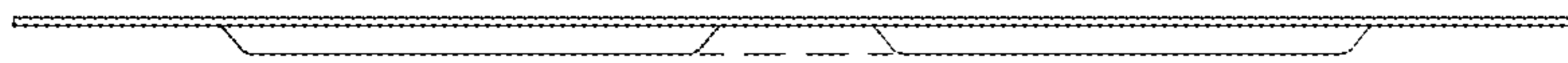


FIG. 6

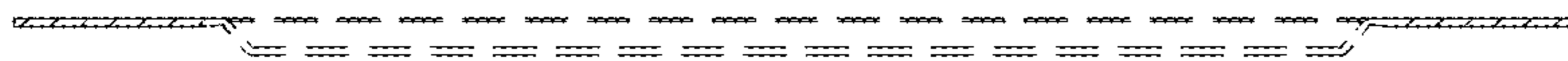


FIG. 7

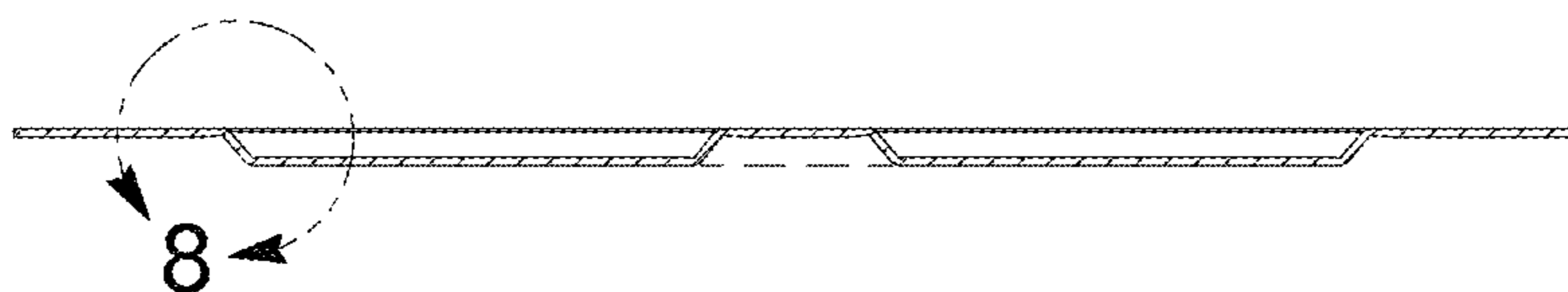


FIG. 8

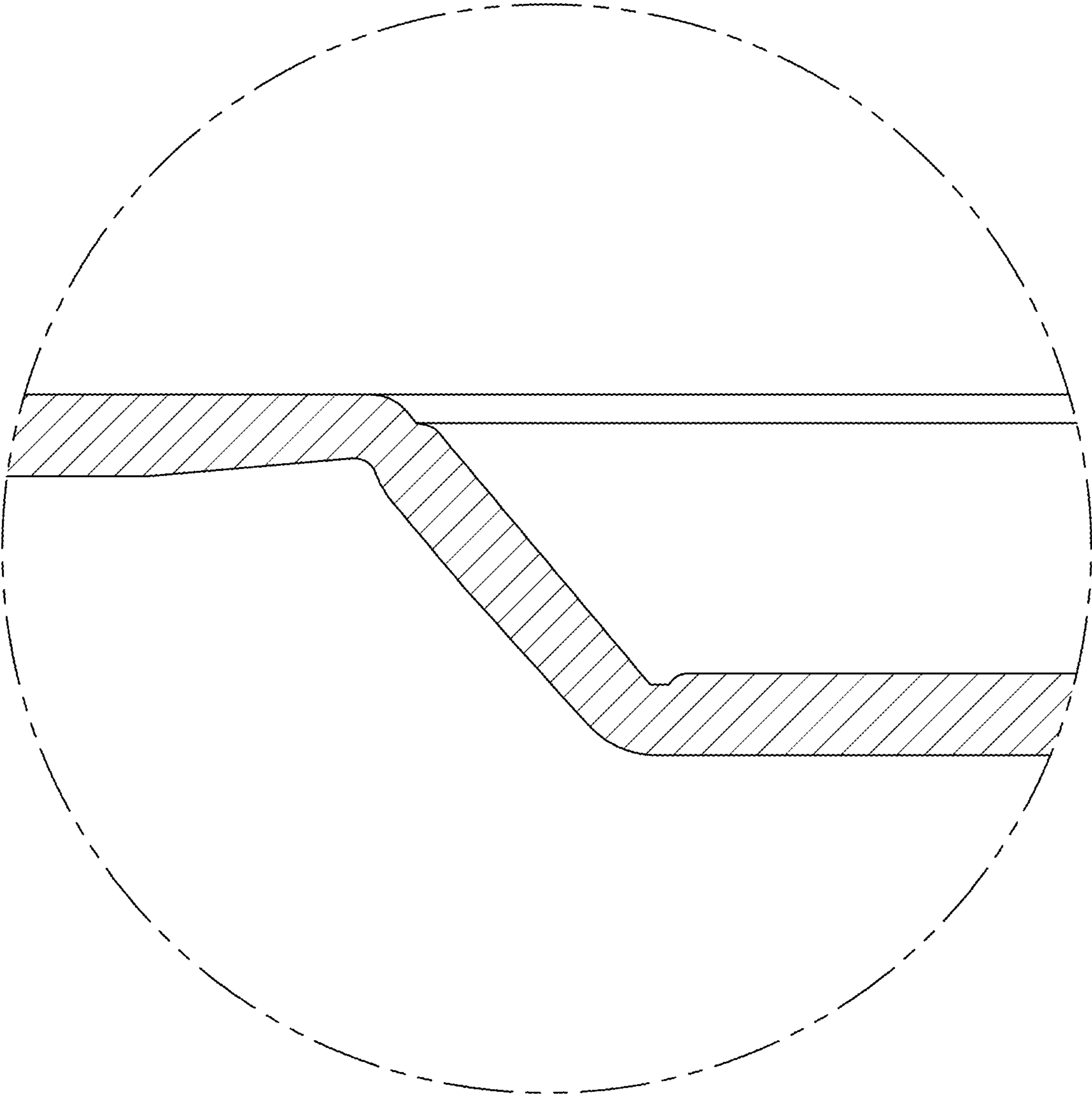


FIG. 9



FIG. 10

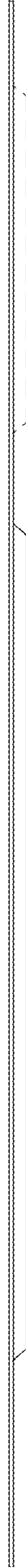


FIG. 11

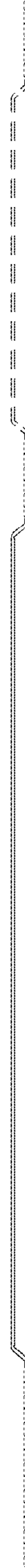


FIG. 12

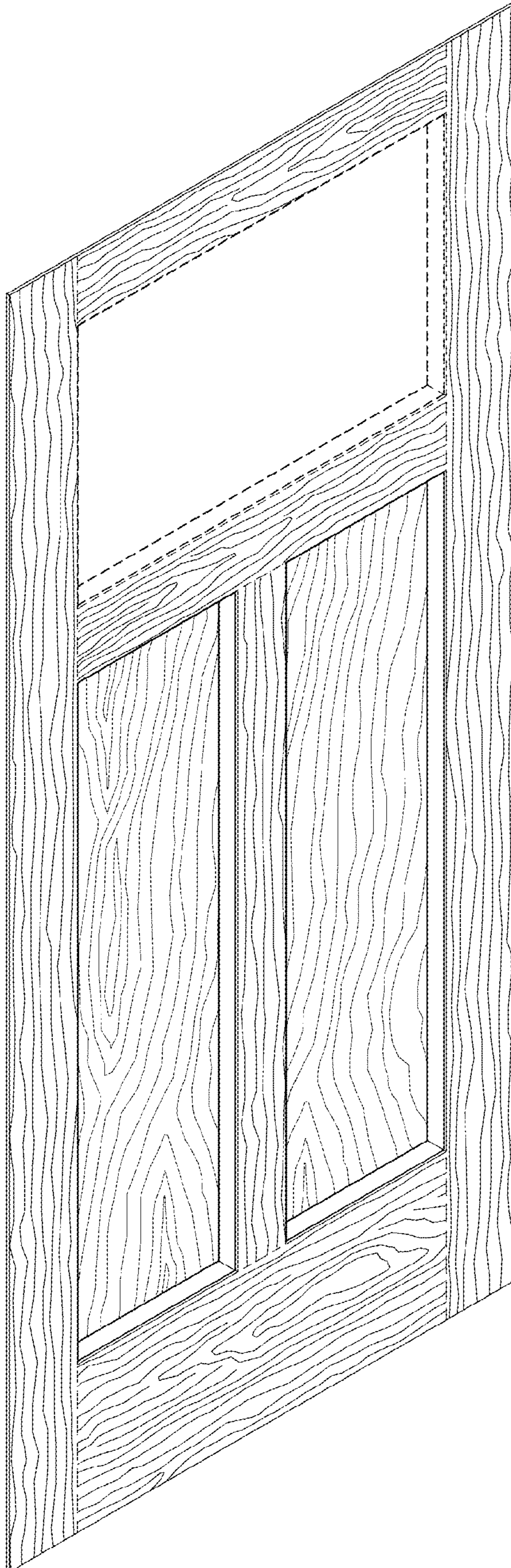


FIG. 13

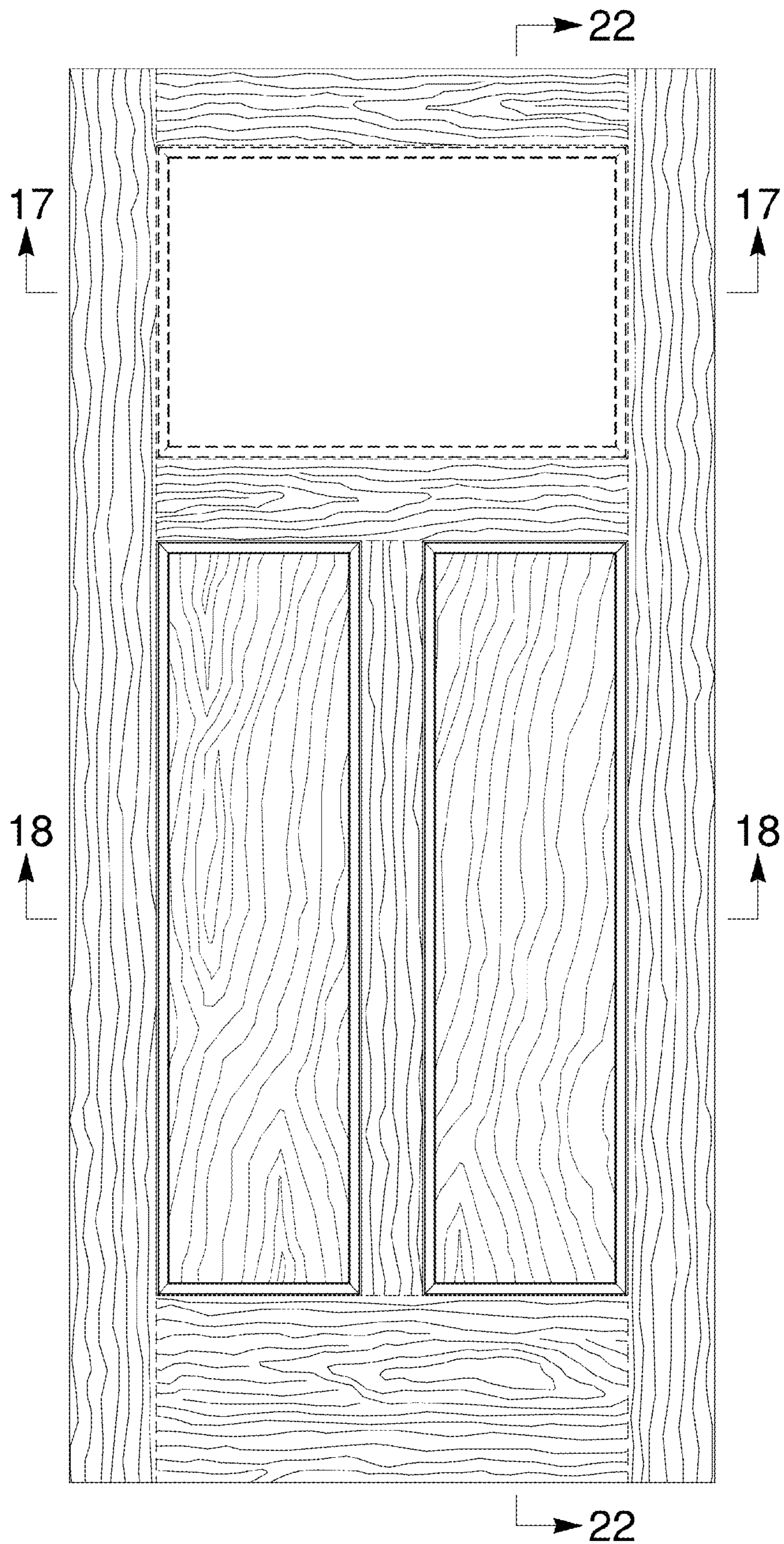


FIG. 14

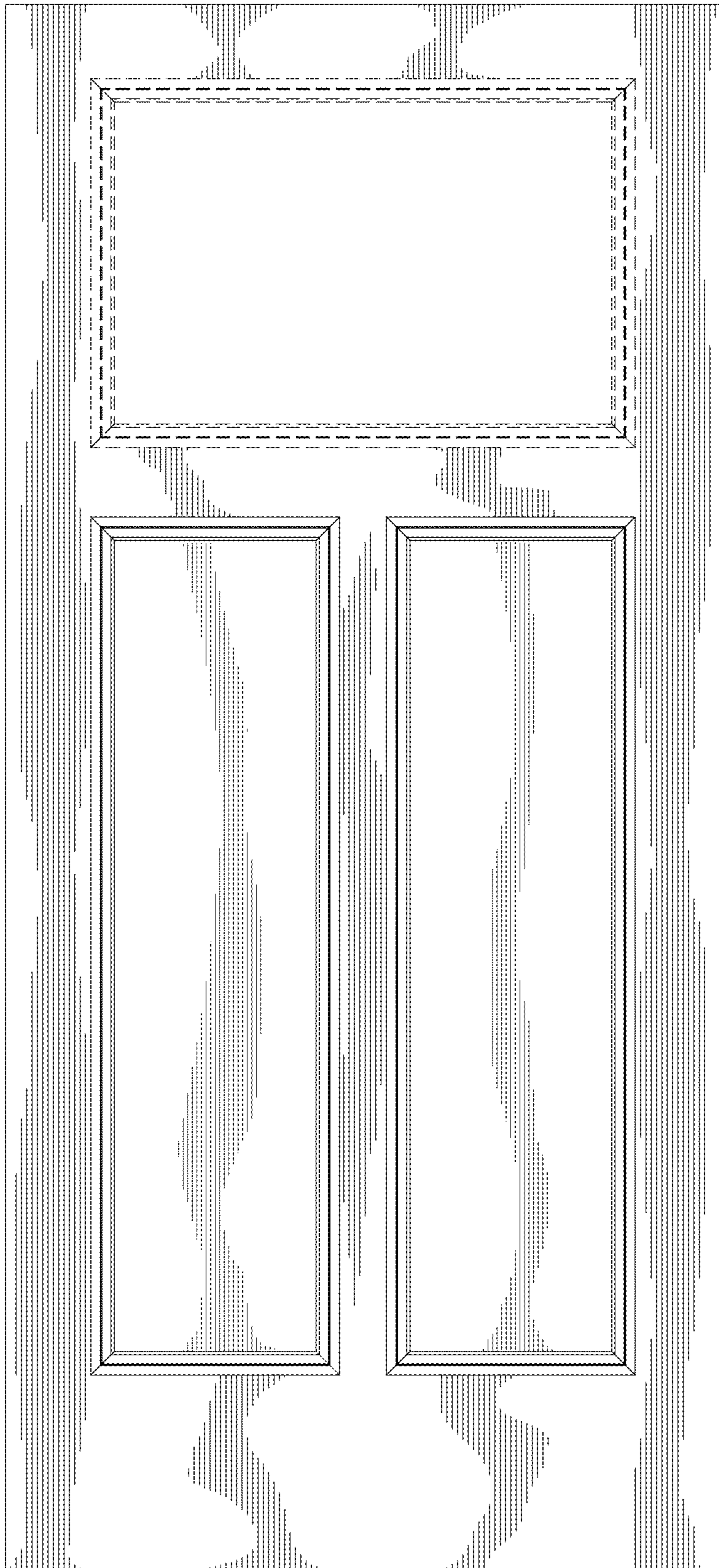


FIG. 15

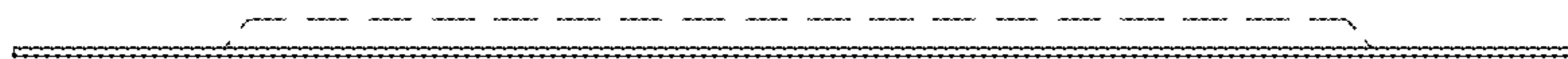


FIG. 16

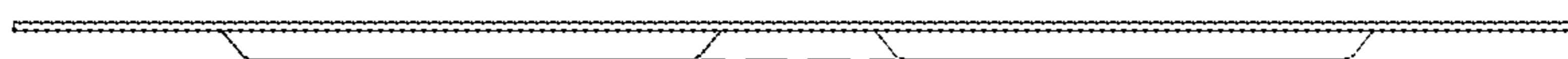


FIG. 17

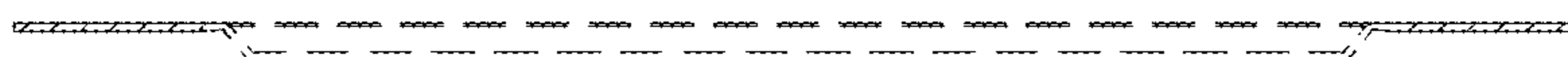


FIG. 18

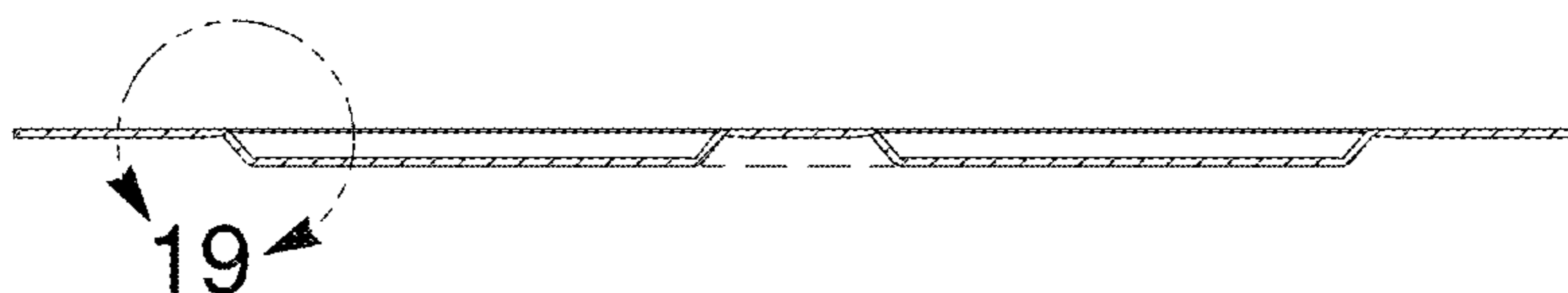


FIG. 19

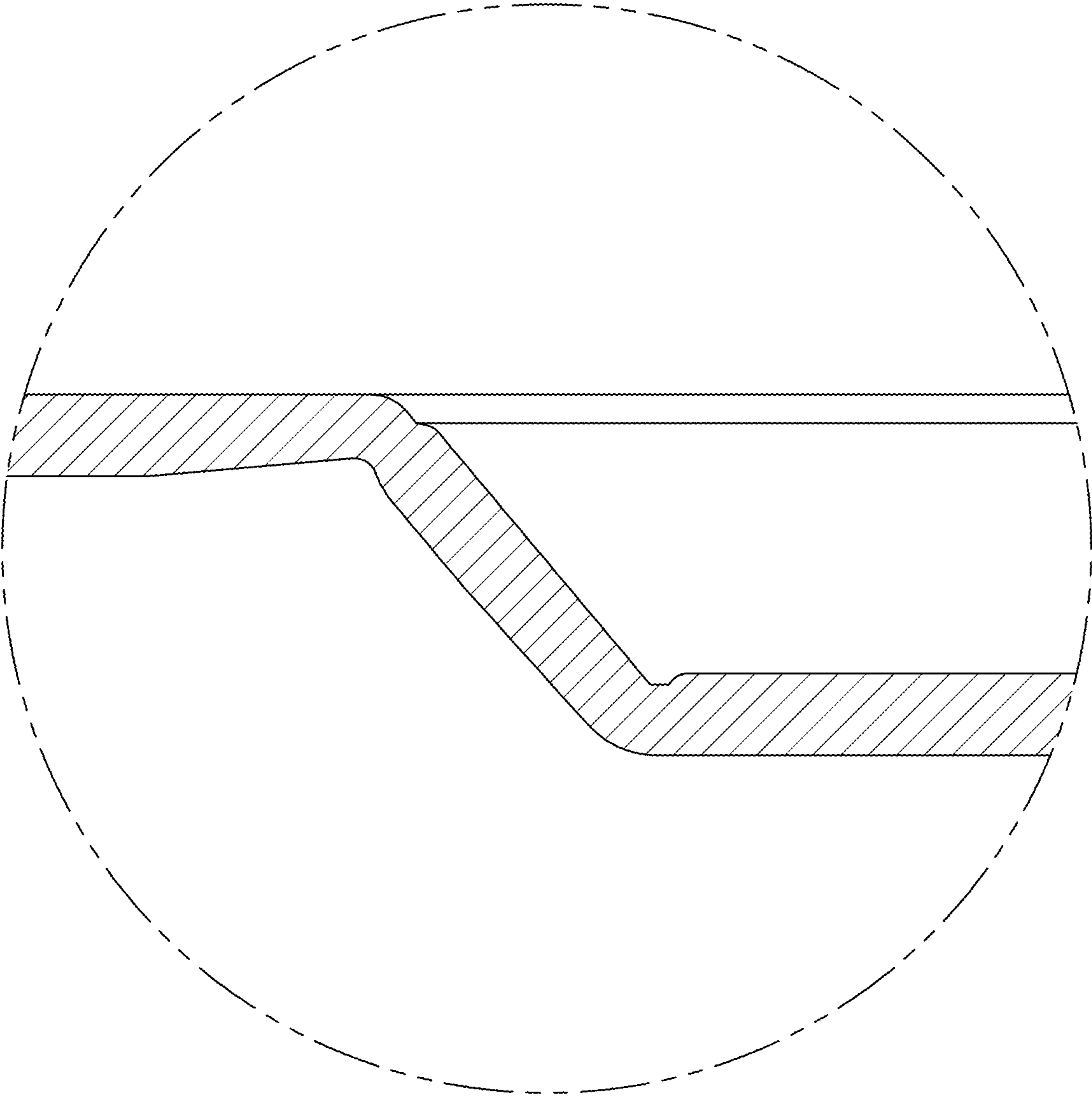


FIG. 20

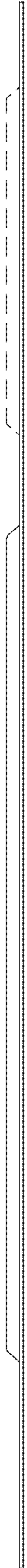


FIG. 21

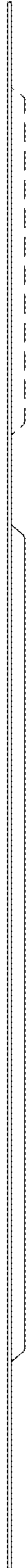


FIG. 22

