

US00D944408S

(12) **United States Design Patent**
Zhang

(10) **Patent No.:** **US D944,408 S**

(45) **Date of Patent:** **** Feb. 22, 2022**

(54) **PARAFFIN WAX MACHINE**

(71) Applicant: **Biaoyan Zhang**, Guangzhou (CN)

(72) Inventor: **Biaoyan Zhang**, Guangzhou (CN)

(**) Term: **15 Years**

(21) Appl. No.: **29/773,065**

(22) Filed: **Mar. 5, 2021**

(51) **LOC (13) Cl.** **28-03**

(52) **U.S. Cl.**
USPC **D24/200**

(58) **Field of Classification Search**
USPC D24/200, 204, 121; D13/107–108;
D14/432, 434, 447, 251
CPC A61L 9/03; A61L 9/12; H05B 3/0052;
H05B 3/06; H05B 3/10; H05B 3/26;
H05B 1/02; H05B 2203/021
See application file for complete search history.

(56) **References Cited**

U.S. PATENT DOCUMENTS

D330,899 S	11/1992	Holbl	
D440,662 S	4/2001	Ferber	
D441,455 S	5/2001	Feer et al.	
D442,284 S	5/2001	Ferber	
D449,696 S *	10/2001	Sulik	D24/200
D455,214 S	4/2002	Ferber et al.	
D478,384 S	8/2003	Lie	
D838,859 S	1/2019	Yu	
10,207,018 B2 *	2/2019	Gasper	A61L 9/012

10,363,333 B2 *	7/2019	Belongia	A61L 9/03
D857,215 S	8/2019	Lin	
10,524,311 B2	12/2019	Belongia	
D901,699 S	11/2020	Chau	
D909,592 S	2/2021	Li	
D917,710 S *	4/2021	Li	D24/200

OTHER PUBLICATIONS

C&E—Paraffin Wax Warmer—Blossom Beauty Mall, [online], [site visited Sep. 8, 2021]. Available from internet URL: <https://blossombmall.com/c-e-paraffin-wax-warmer/>.*

* cited by examiner

Primary Examiner — Wan Laymon

(74) *Attorney, Agent, or Firm* — Xiaofang Zhong; Law Office of Xiaofang Zhong, PLLC

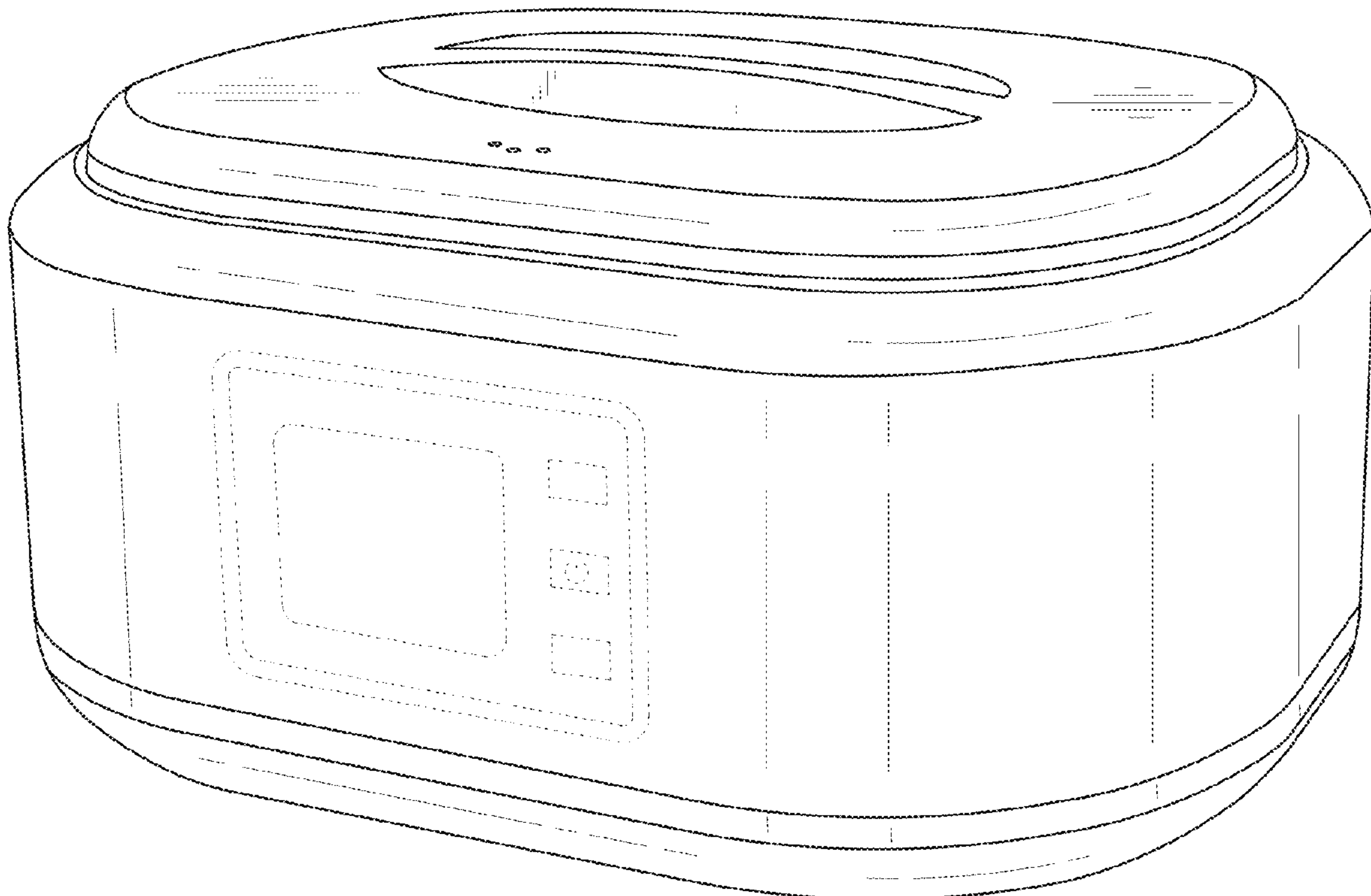
(57) **CLAIM**

The ornamental design for a paraffin wax machine, as shown and described.

DESCRIPTION

FIG. 1 is a perspective view of a paraffin wax machine showing my new design;
FIG. 2 is a front elevational view thereof;
FIG. 3 is a back elevational view thereof;
FIG. 4 is a top plan view thereof;
FIG. 5 is a bottom plan view thereof;
FIG. 6 is a left-side elevational view thereof; and,
FIG. 7 is a right-side elevational view thereof.
The broken lines in the drawings depict part of the paraffin wax machine that form no part of the claimed design.

1 Claim, 7 Drawing Sheets



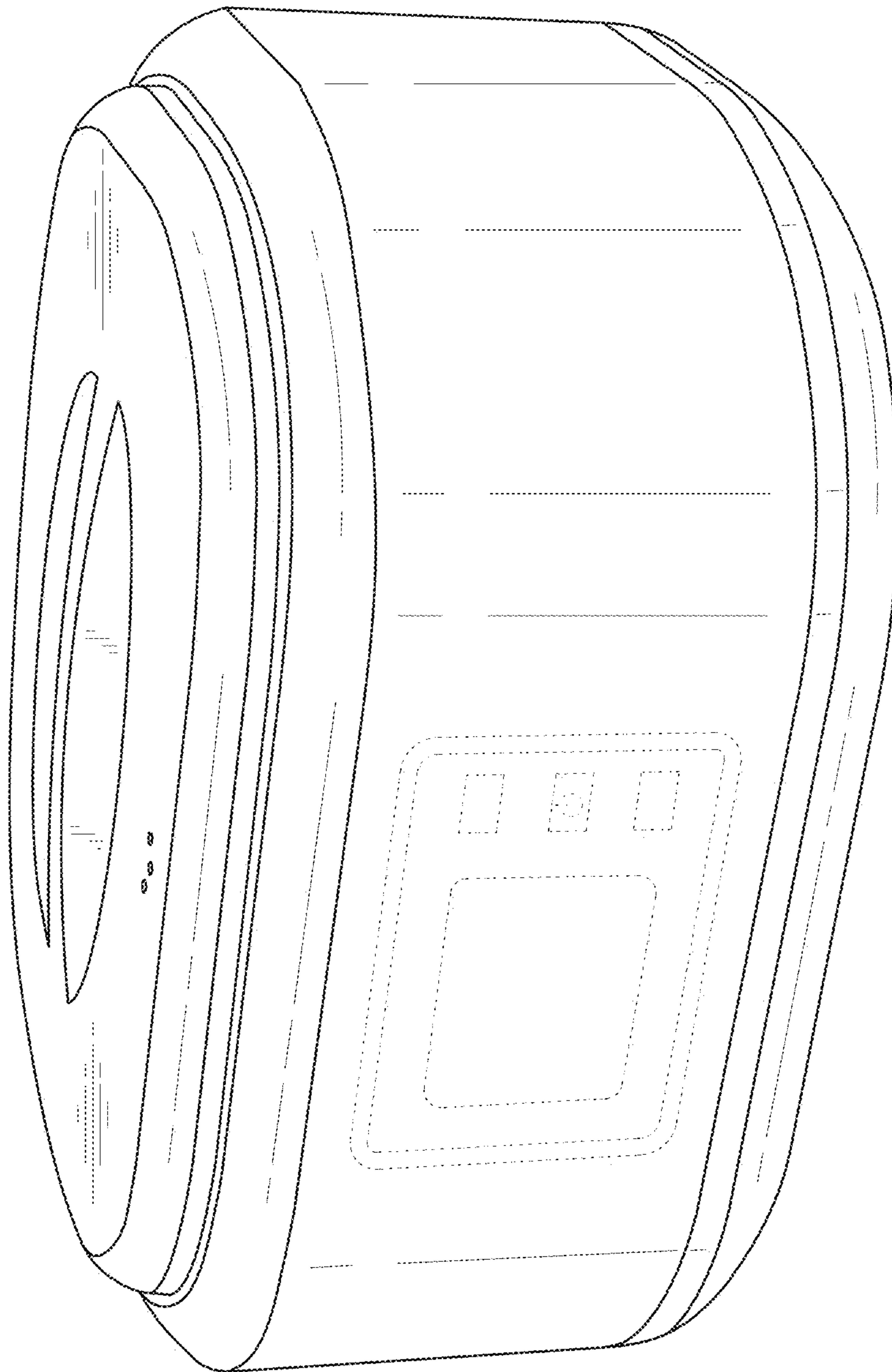


FIG. 1

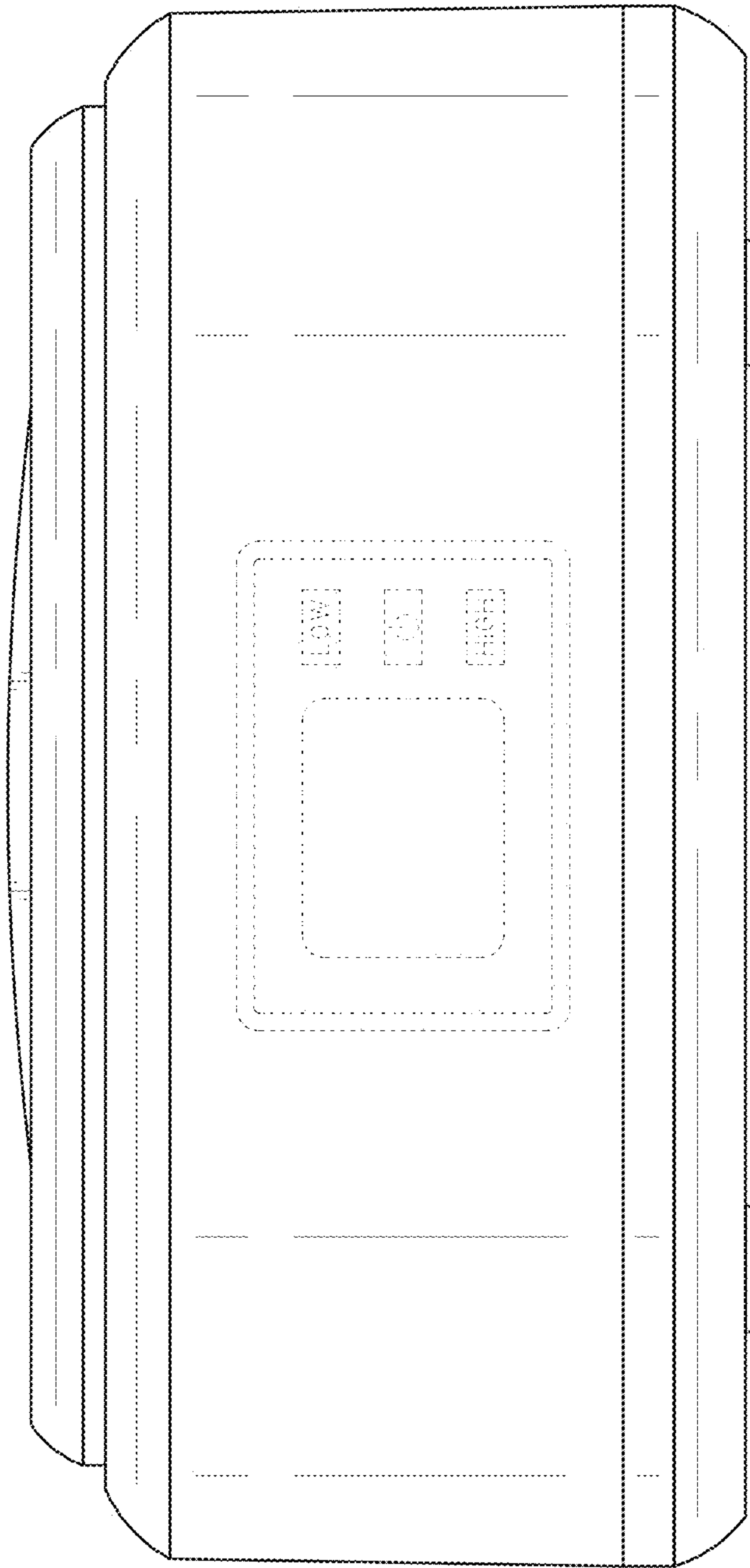


FIG. 2

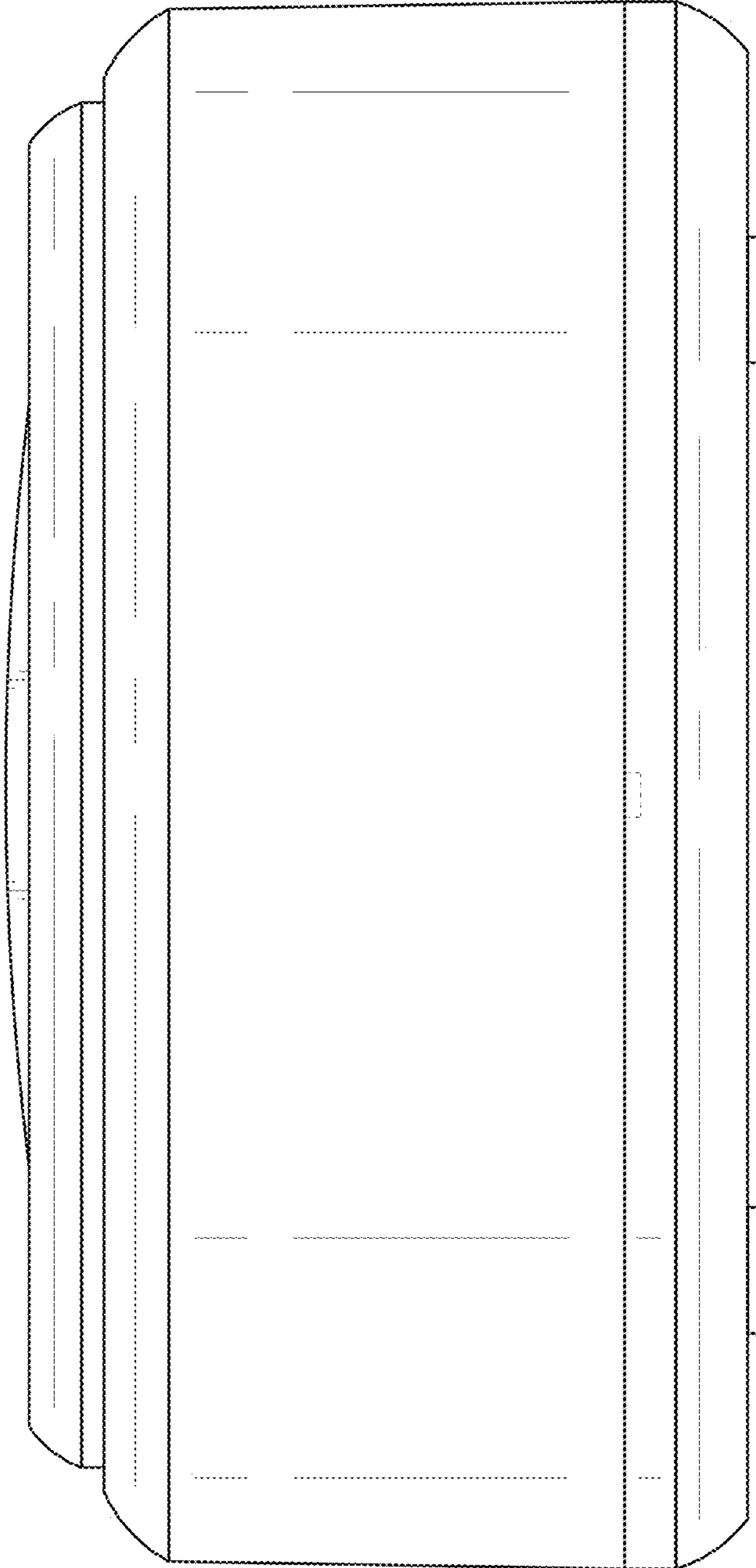


FIG. 3

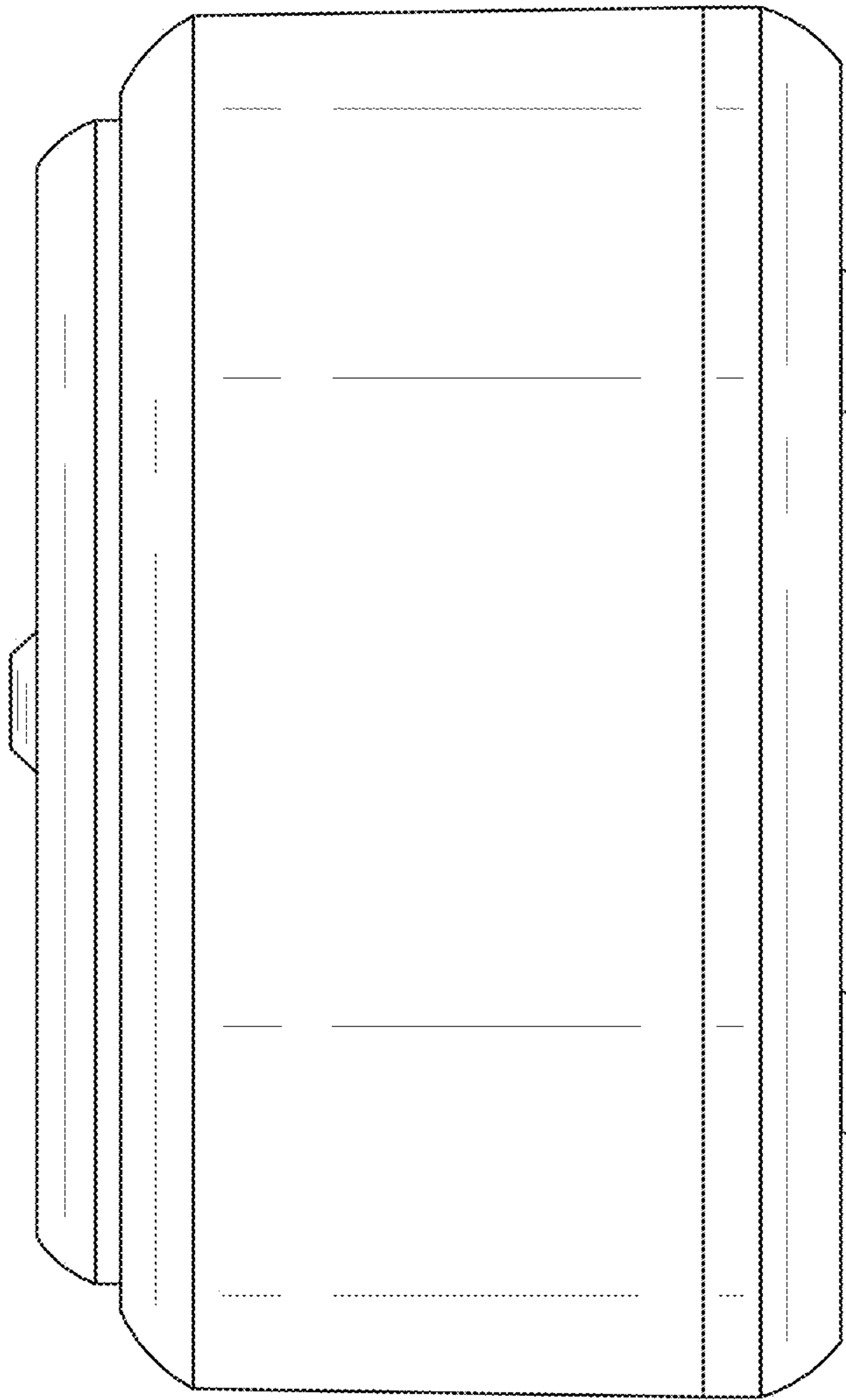


FIG. 4

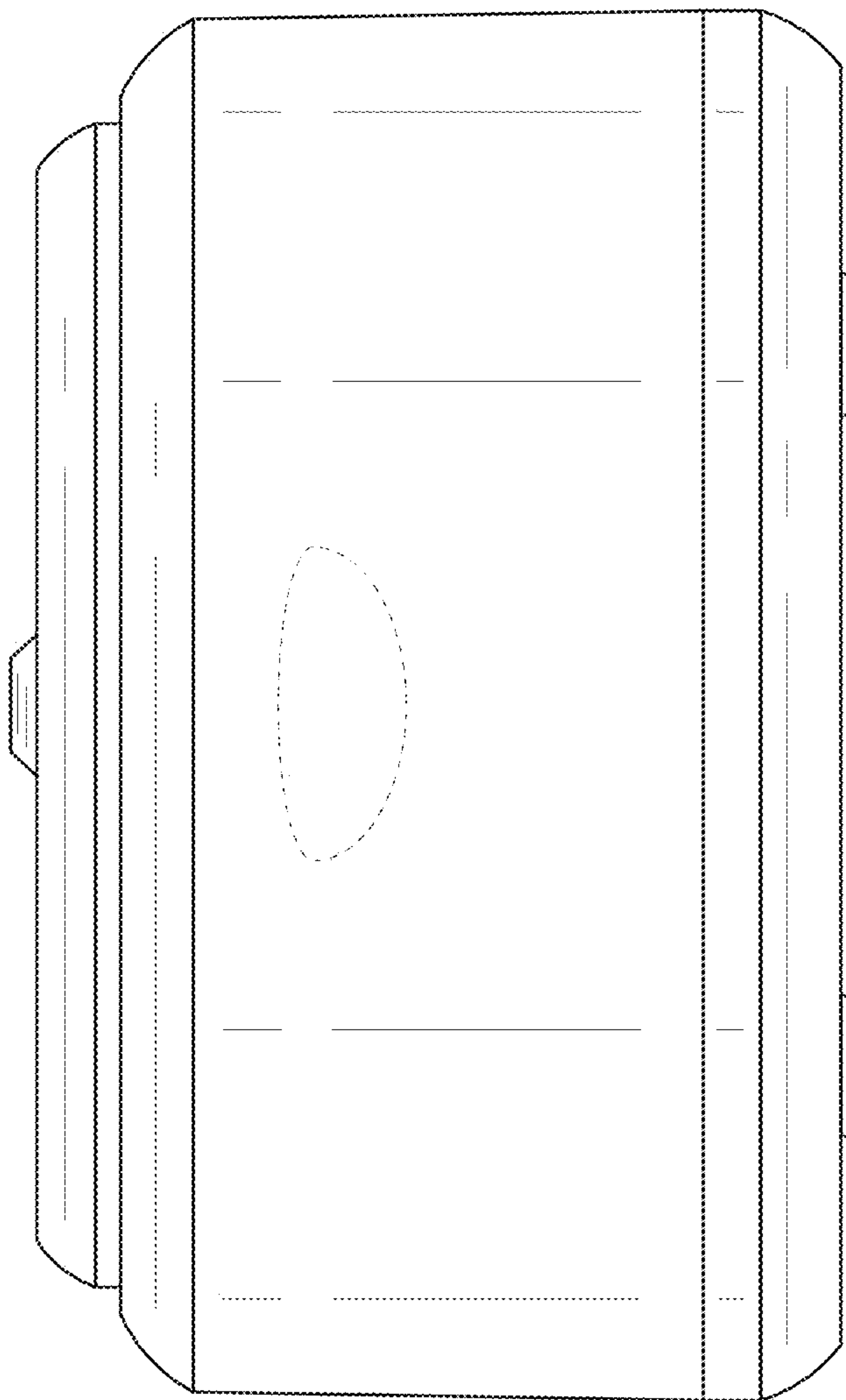


FIG. 5

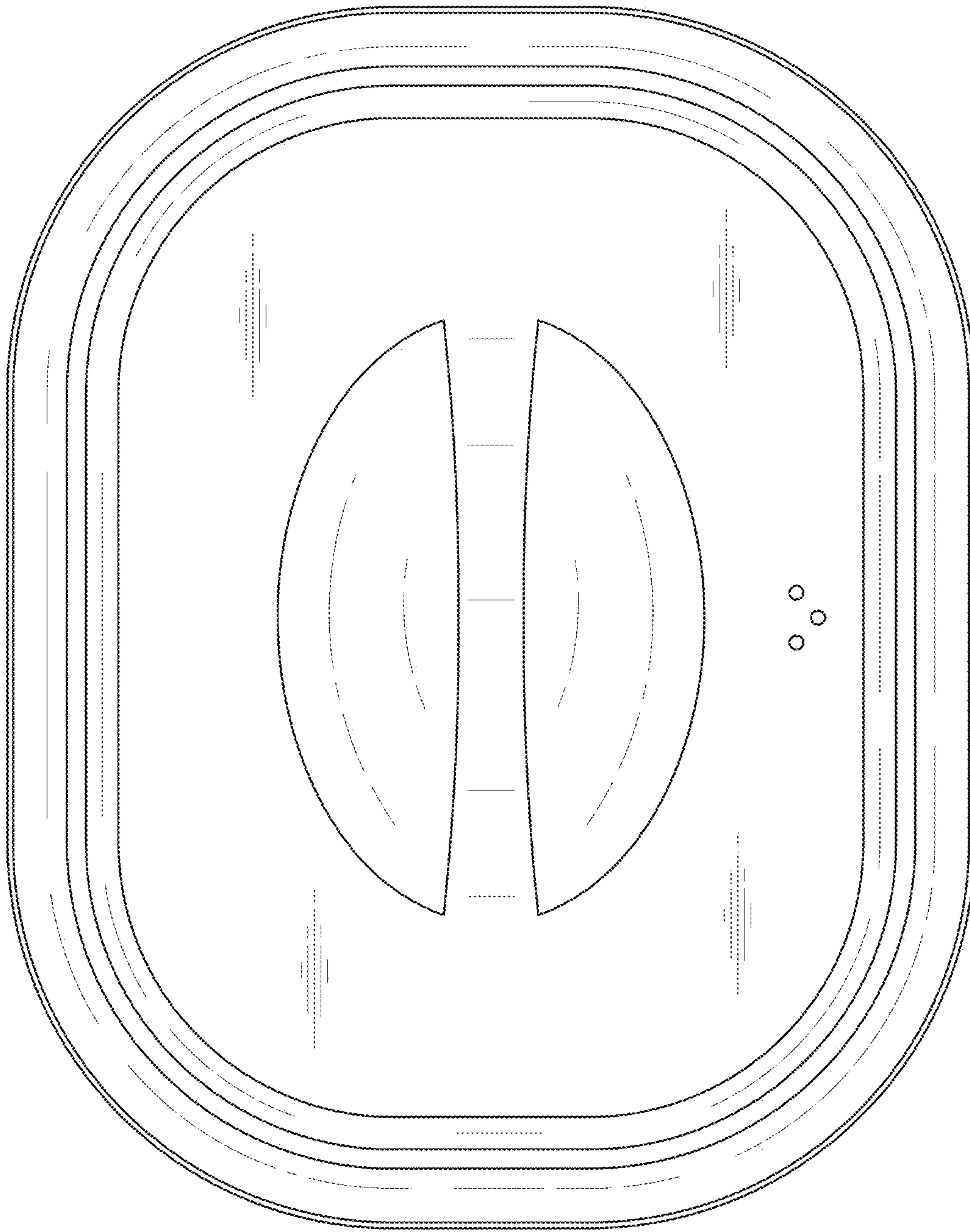


FIG. 6

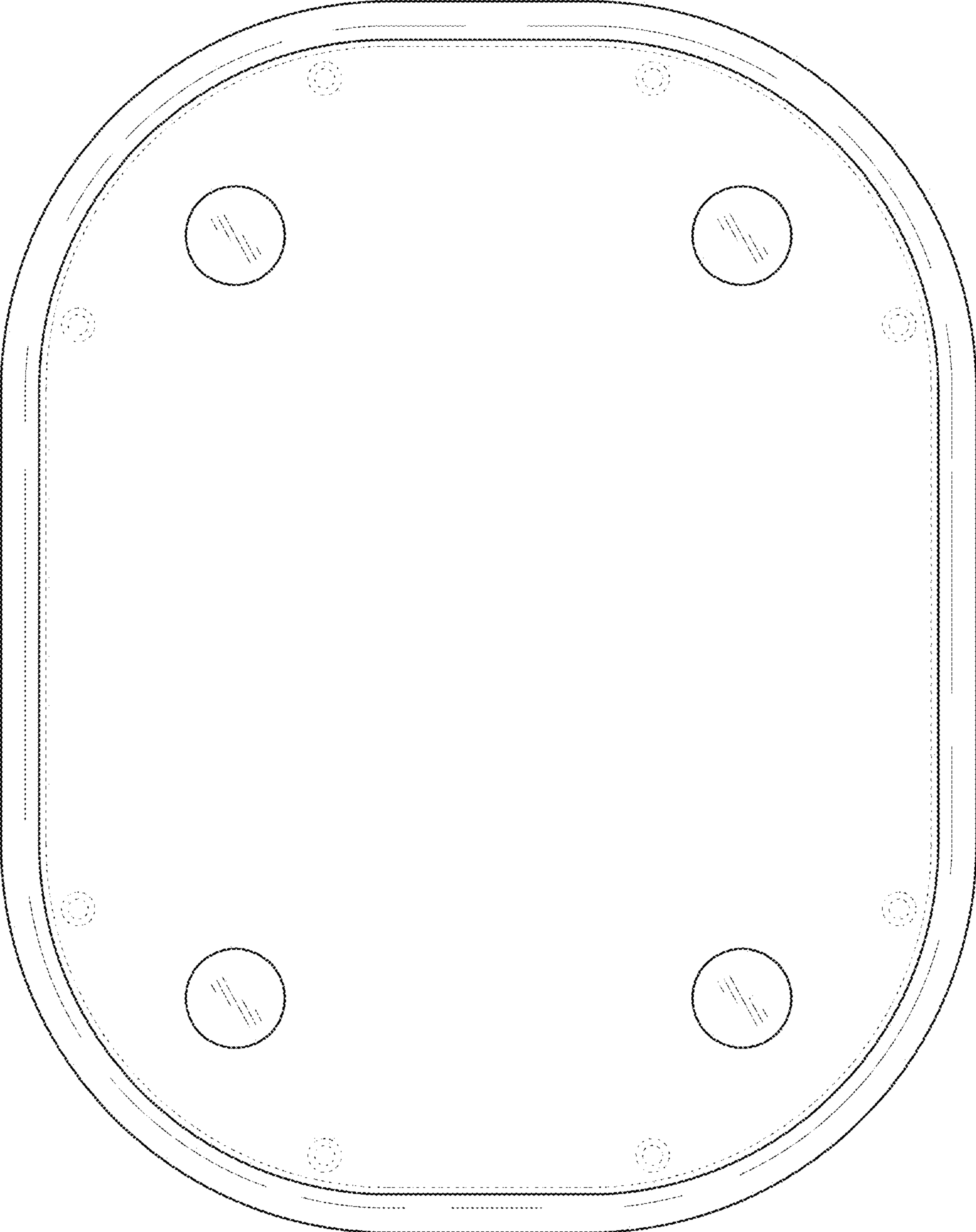


FIG. 7