



US00D944407S

(12) **United States Design Patent** (10) **Patent No.:** **US D944,407 S**
Gatti (45) **Date of Patent:** **** Feb. 22, 2022**

(54) **TEAT FOR FEEDING BOTTLES**

(71) Applicant: **Artsana S.p.A.**, Grandate (IT)
(72) Inventor: **Francesco Gatti**, Villa Guardia (IT)
(73) Assignee: **ARTSANA S.P.A.**, Grandate (IT)
(**) Term: **15 Years**

(21) Appl. No.: **29/658,839**

(22) Filed: **Aug. 3, 2018**

(30) **Foreign Application Priority Data**

Feb. 12, 2018 (EM) 004705440

(51) **LOC (13) Cl.** **24-04**

(52) **U.S. Cl.**
USPC **D24/196**

(58) **Field of Classification Search**
USPC D24/193, 194, 195, 196, 197, 198, 199;
D1/125, 199
CPC A61J 11/0035
See application file for complete search history.

(56) **References Cited**

U.S. PATENT DOCUMENTS

D463,567 S *	9/2002	Morano	D24/196
D720,077 S *	12/2014	Sakulsacha	D24/194
D734,476 S *	7/2015	Chaitanarit	D24/196
D752,234 S *	3/2016	Moore	D24/196
D841,174 S *	2/2019	Wagenknecht	D24/197
10,285,912 B2 *	5/2019	Molina	A61J 17/113
D861,894 S *	10/2019	Cudworth	D24/196
D861,895 S *	10/2019	Clores	D24/196
D861,896 S *	10/2019	Reed	D24/196
D861,897 S *	10/2019	Bergstrom	D24/197
2004/0124168 A1 *	7/2004	Silver	A61J 11/0015 215/11.1
2019/0046413 A1 *	2/2019	Wiesman	A61J 11/02
2021/0030627 A1 *	2/2021	Rohrig	A61J 11/045

OTHER PUBLICATIONS

“Chicco Glass Bottle Set: “Mama-Effect” Silicone Teat”. Found online Apr. 29, 2021 at amazon.co.uk. Reference dated May 4, 2017. Retrieved from <https://www.amazon.co.uk/Chicco-Bottle-Superior-Silicone-Silicone/dp/B0713QYC93>.
“MAM: Extra Slow Flow Nipple”. Found online Apr. 29, 2021 at amazon.com. Reference dated Jul. 16, 2019. Retrieved from https://www.amazon.com/MAM-Bottle-Nipples-Nipple-Months/dp/B07RD7VM61/ref=cm_cr_ar_p_d_product_top?.
“Spectra: Silicone Nipples”. Found online Apr. 28, 2021 at amazon.com. Reference dated Jan. 18, 2017. Retrieved from https://www.amazon.com/Spectra-Silicone-Replacement-2-Nipples/dp/B01MDTN9L1/ref=cm_cr_ar_p_d_product_top?.
“Evenflo: Feeding Balance Plus Wide Neck Nipple”. Found online Feb. 14, 2019 at amaxon.com. Page dated Mar. 9, 2017. Retrieved from https://www.amazon.com/Evenflo-Feeding-Balance-Nipples-Bottles/dp/B01M9CZWWA/ref=cm_cr_ar_p_d_product_top?ie=UTF8&th=1.

* cited by examiner

Primary Examiner — Kendra Leslie Hamilton
(74) *Attorney, Agent, or Firm* — MH2 Technology Law Group LLP

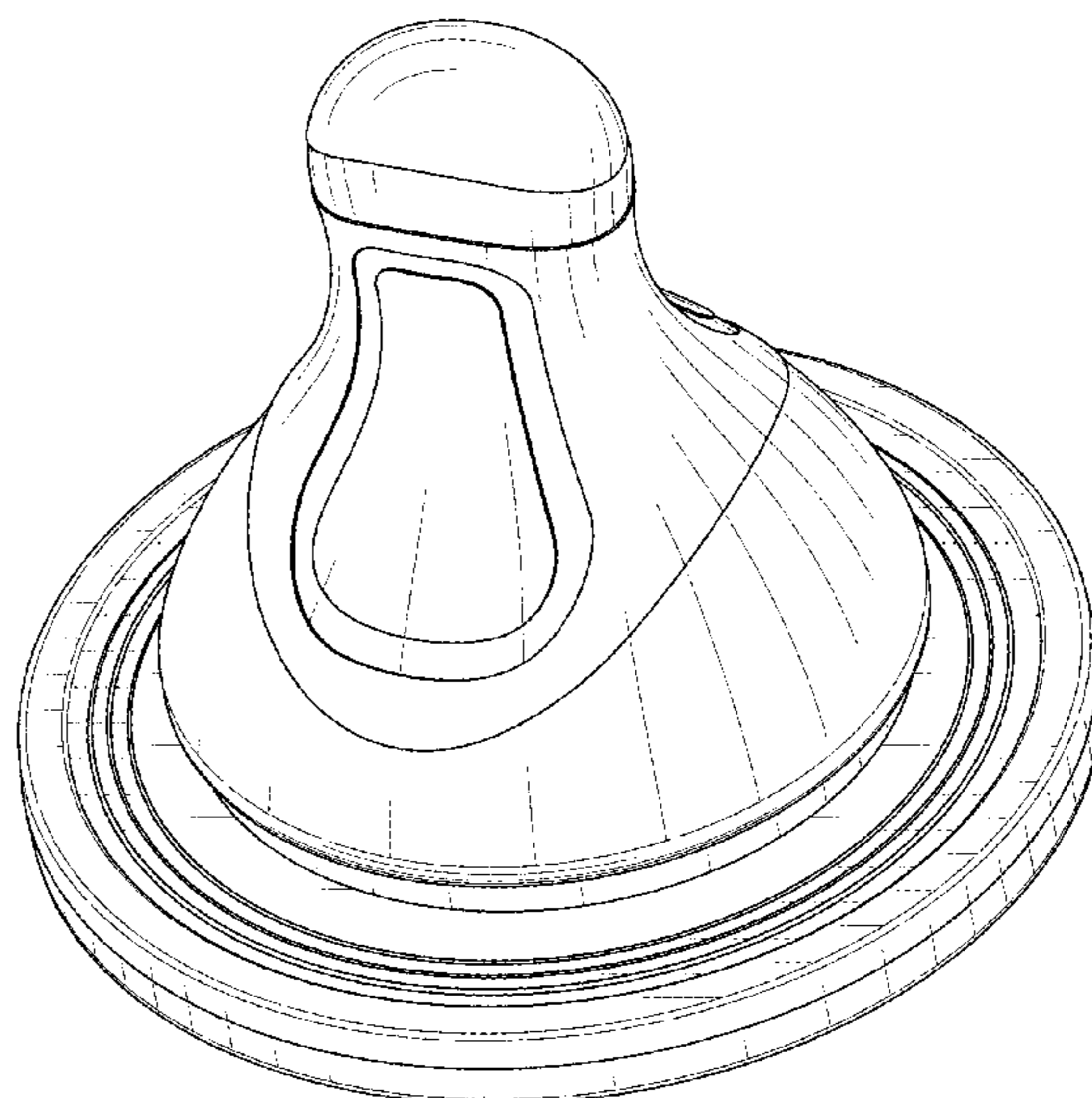
(57) **CLAIM**

The ornamental design for a teat for feeding bottles, as shown and described.

DESCRIPTION

FIG. 1 is a front elevational view of a teat for feeding bottles showing my new design;
FIG. 2 is a rear elevational view thereof;
FIG. 3 is a right side elevational view thereof;
FIG. 4 is a left side elevational view thereof;
FIG. 5 is a top plan view thereof;
FIG. 6 is a bottom plan view thereof; and,
FIG. 7 is a top, right perspective view thereof.
The broken lines in FIG. 6 depict portions of the teat for feeding bottles that form no part of the claimed design.

1 Claim, 7 Drawing Sheets



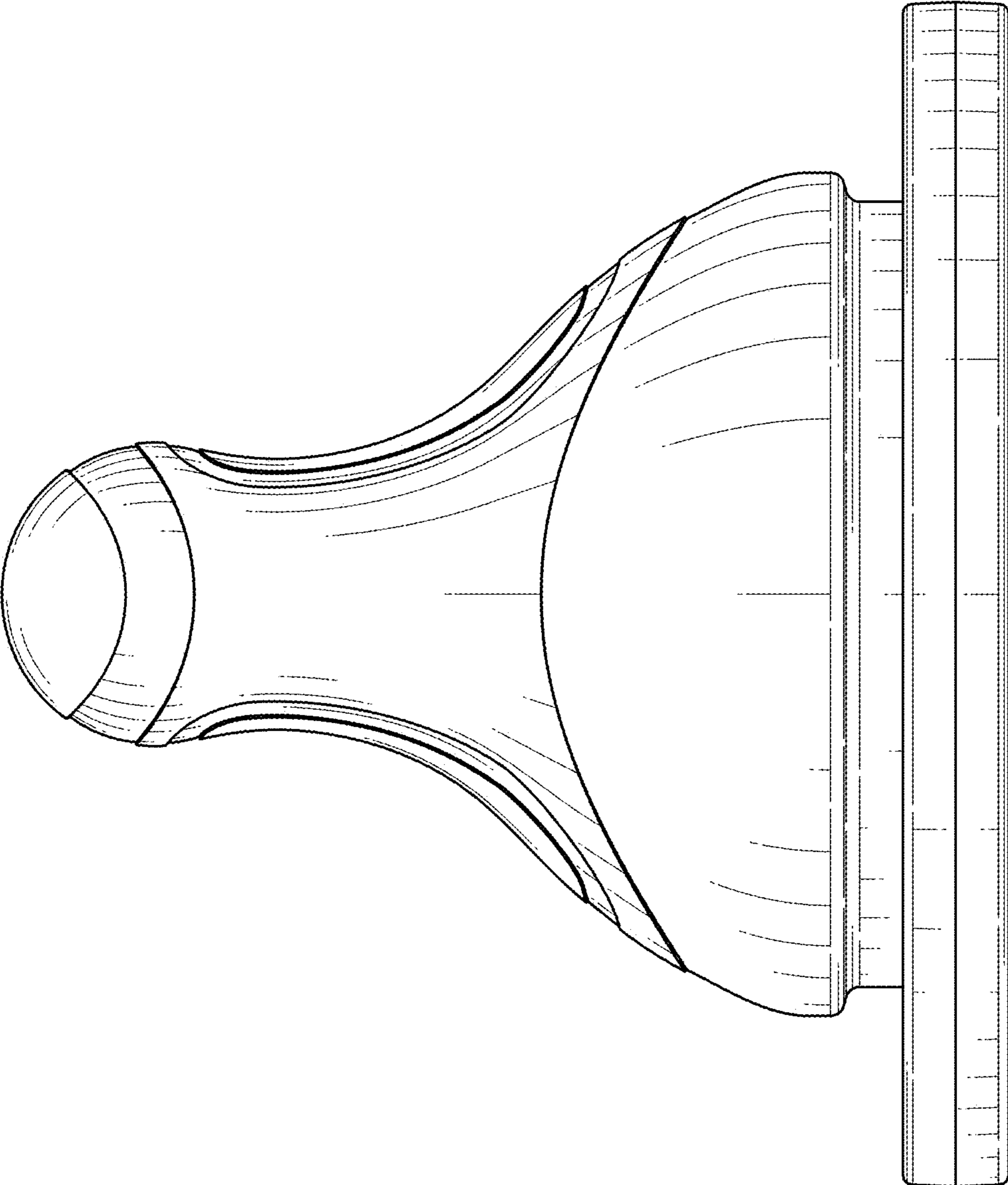


FIG. 1

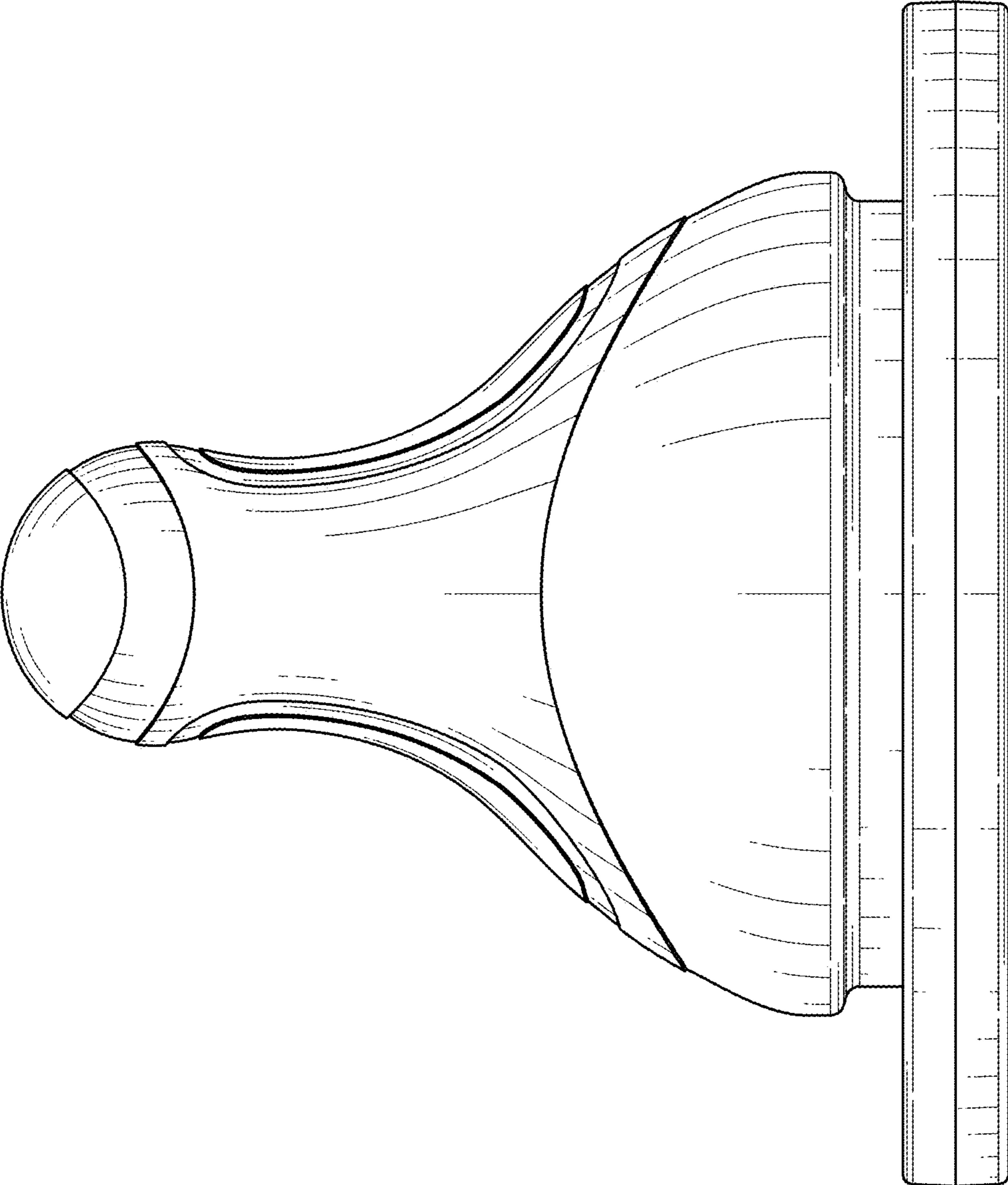


FIG. 2

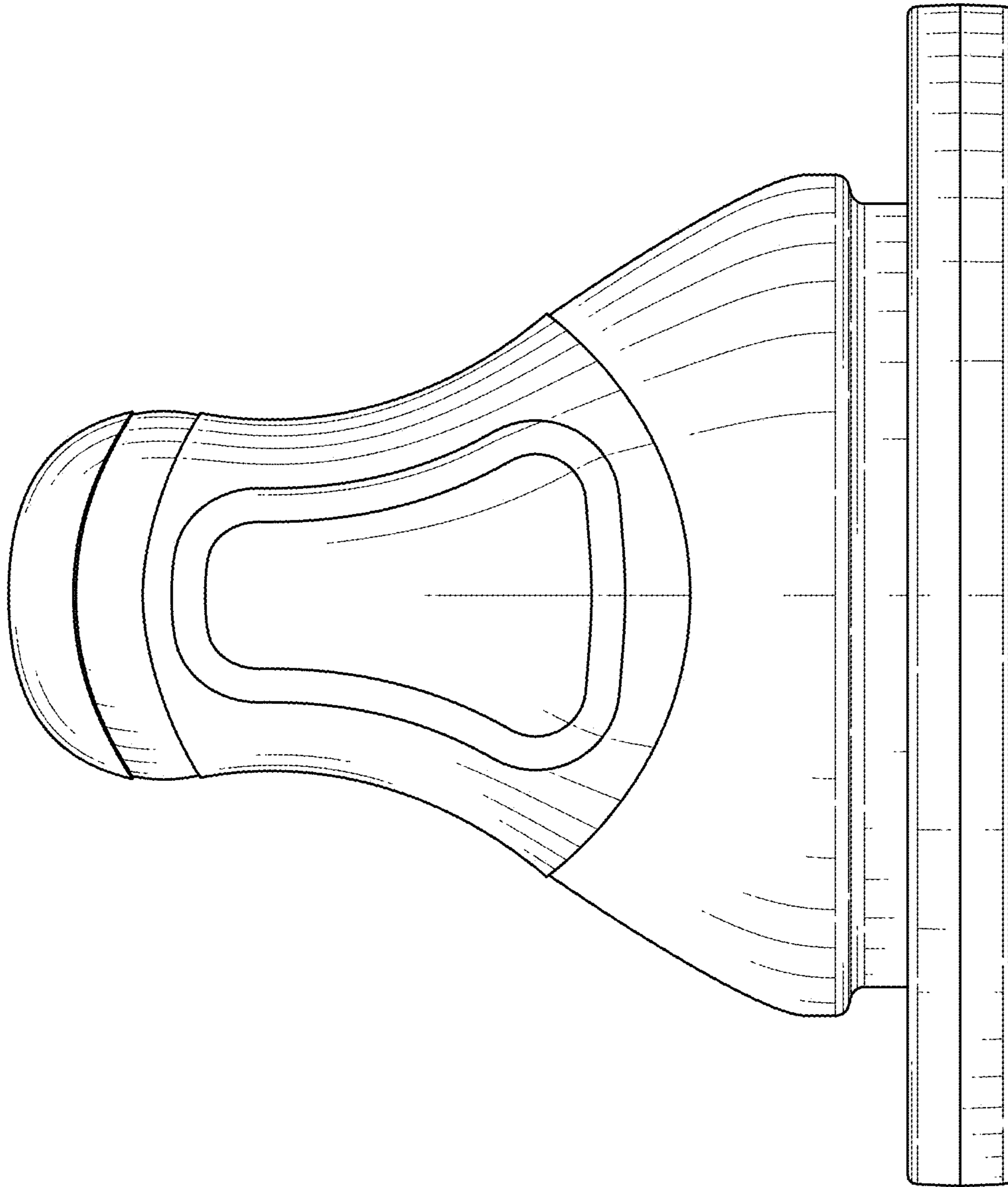


FIG. 3

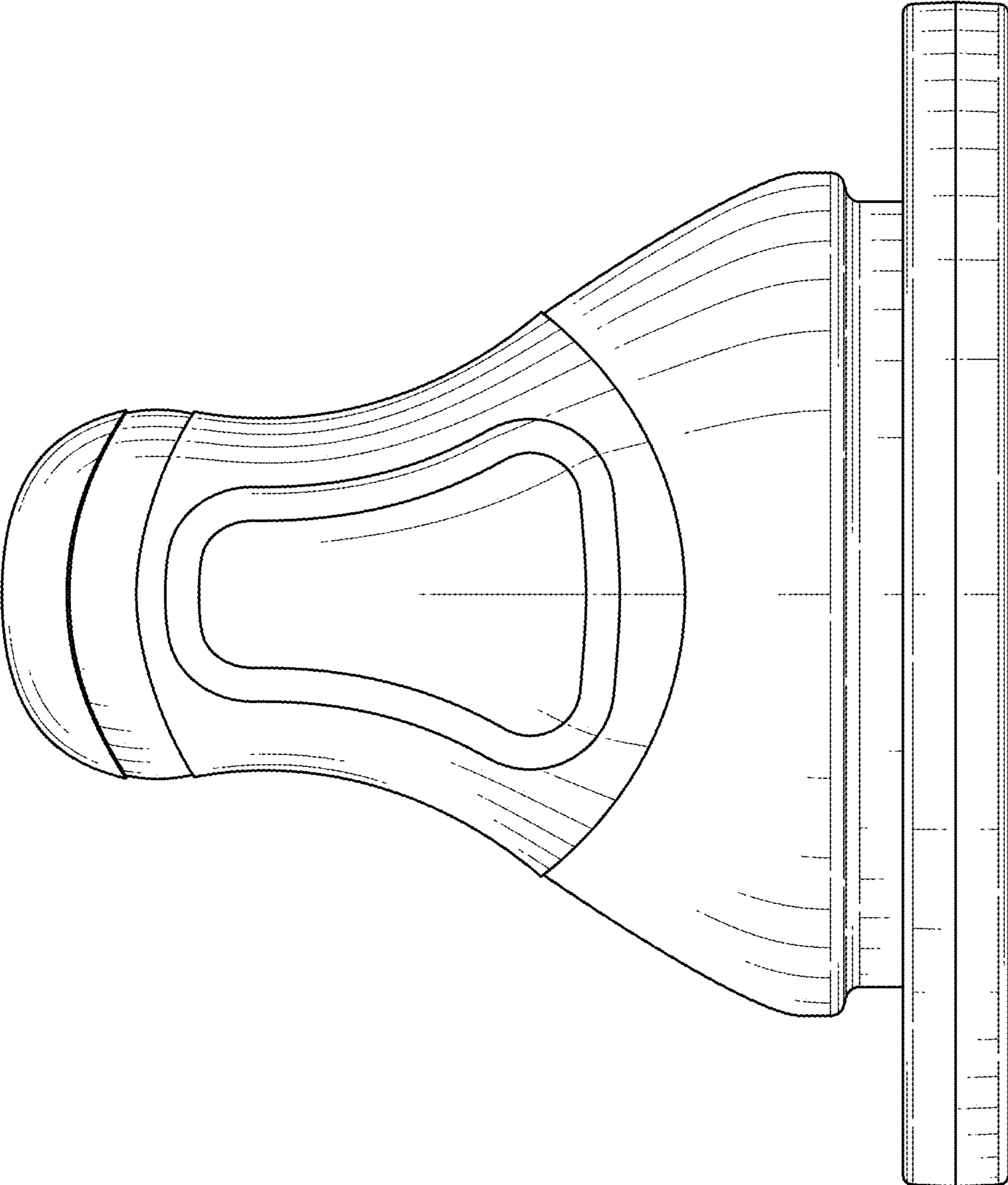


FIG. 4

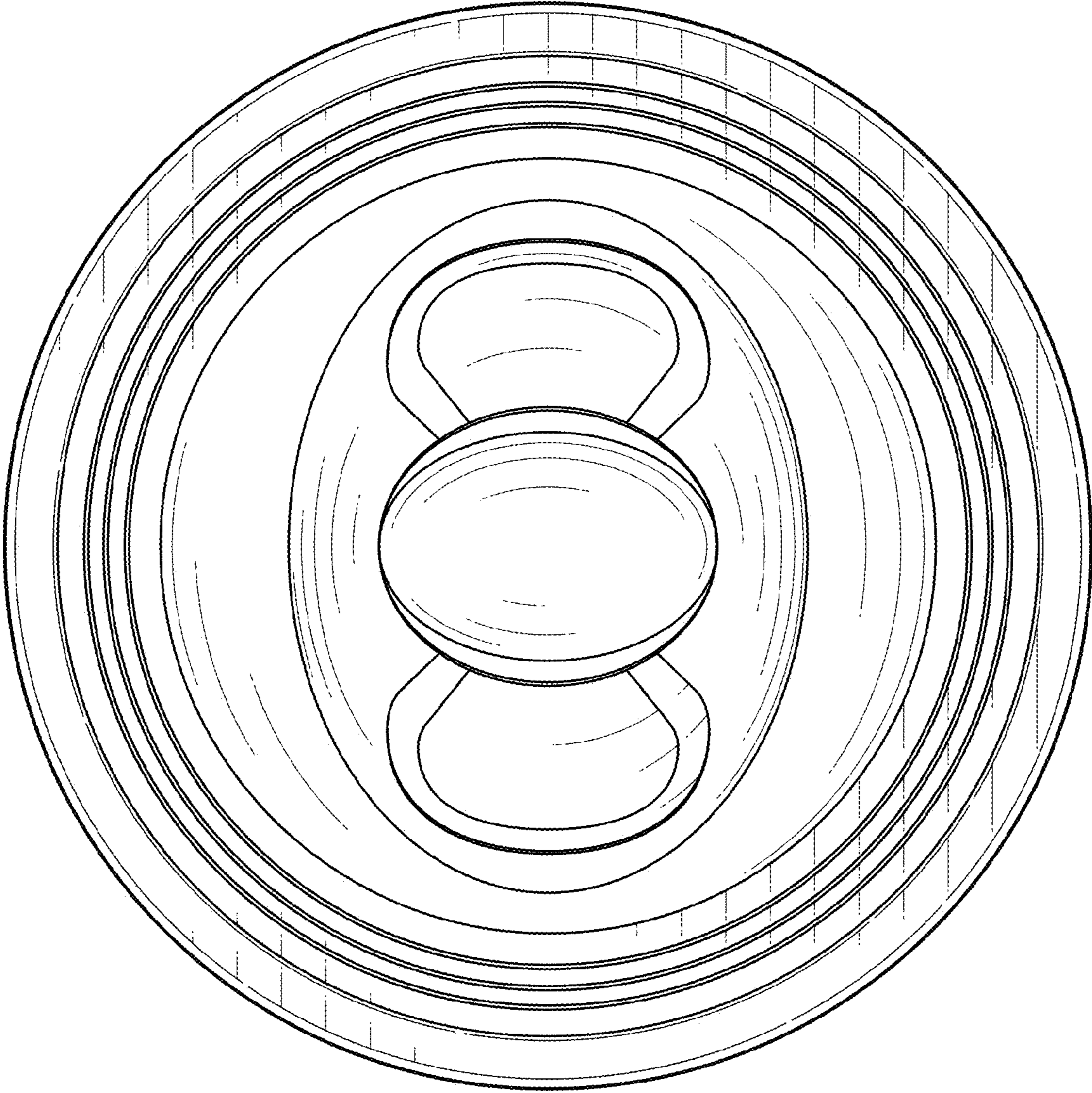


FIG. 5

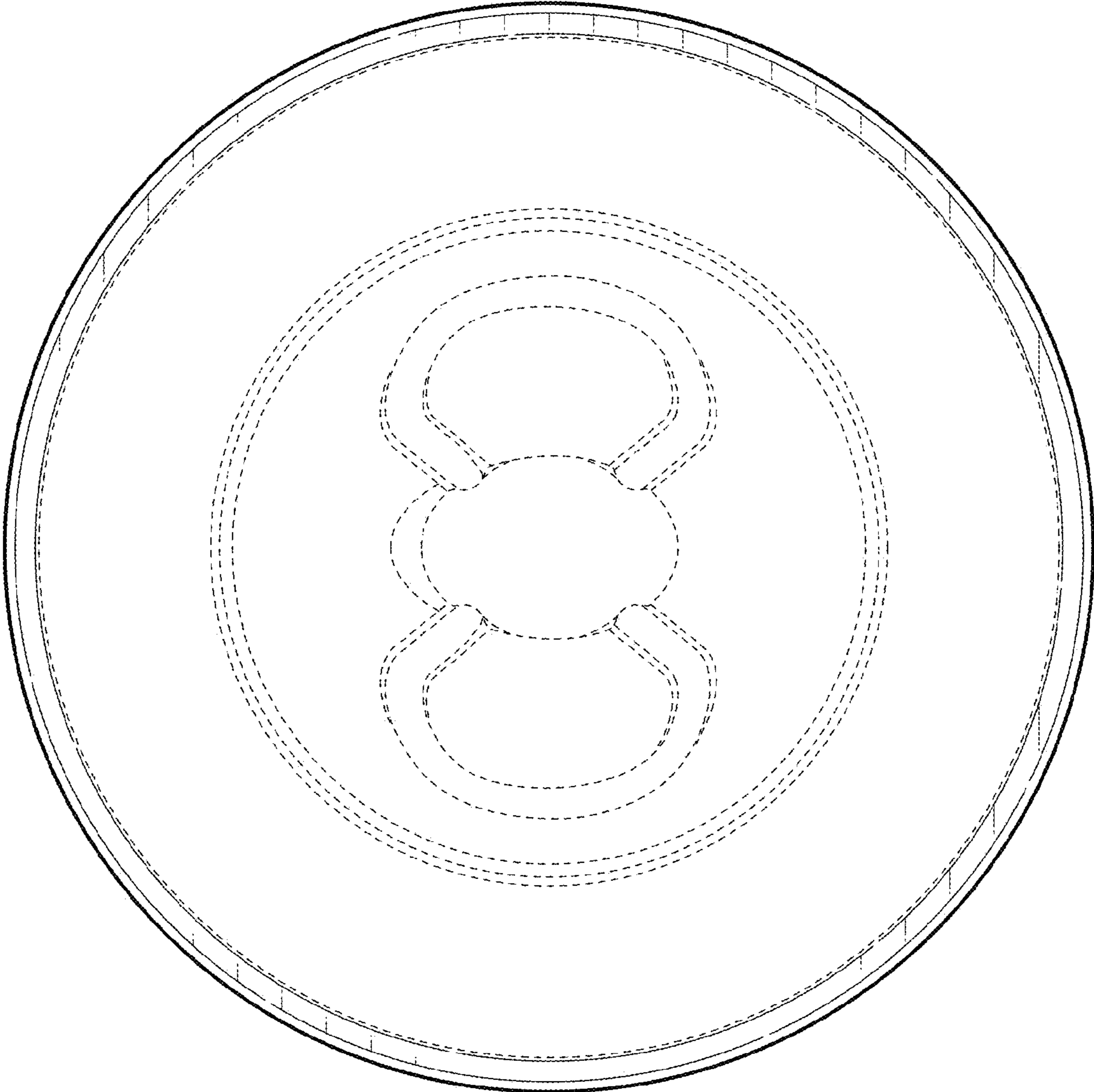


FIG. 6

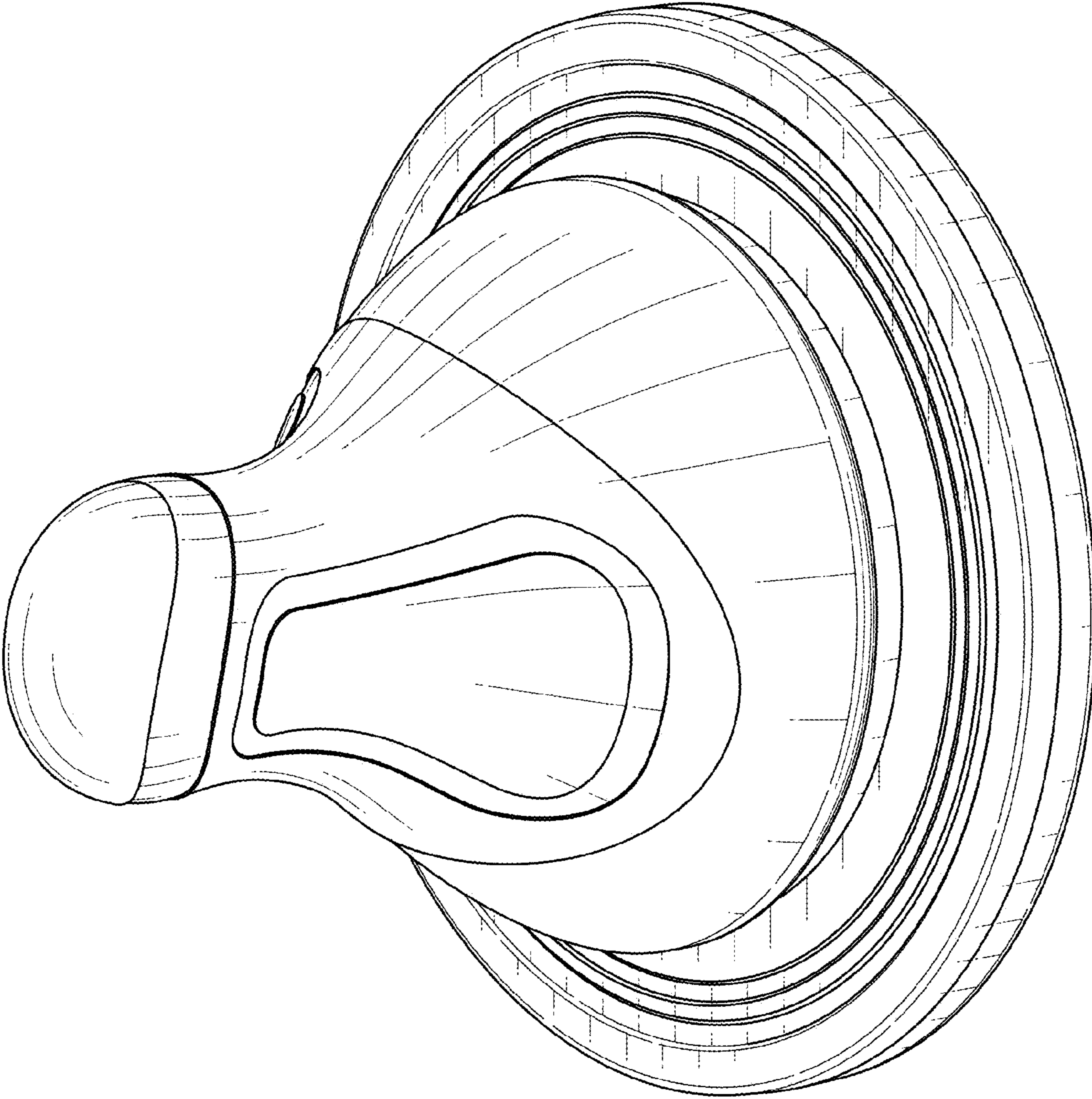


FIG. 7