



US00D944406S

(12) **United States Design Patent**  
**Ferrell**

(10) **Patent No.:** **US D944,406 S**

(45) **Date of Patent:** **\*\* Feb. 22, 2022**

(54) **TEETHER**

(71) Applicant: **Lindsey Ferrell**, Lakeland, TN (US)

(72) Inventor: **Lindsey Ferrell**, Lakeland, TN (US)

(\*\*) Term: **15 Years**

(21) Appl. No.: **29/736,945**

(22) Filed: **Jun. 4, 2020**

(51) **LOC (13) Cl.** ..... **24-04**

(52) **U.S. Cl.**  
USPC ..... **D24/194**

(58) **Field of Classification Search**  
USPC ..... D24/193, 194, 195, 196, 214; D30/160;  
D21/684  
CPC ..... A61J 17/02; A61J 17/001; A61J 11/00  
See application file for complete search history.

(56) **References Cited**

U.S. PATENT DOCUMENTS

5,782,868	A *	7/1998	Moore, Jr	.....	A61J 17/02 606/235
D417,914	S *	12/1999	Nowak	.....	D24/194
D440,718	S *	4/2001	Florance	.....	D30/160
D588,043	S *	3/2009	Hardy	.....	D11/93
D646,792	S *	10/2011	Pope	.....	D24/194
D755,451	S *	5/2016	Lai	.....	D30/160
D845,560	S *	4/2019	Crane	.....	D30/160
D861,891	S *	10/2019	Nelson	.....	D24/195
D895,819	S *	9/2020	Douglas	.....	D24/195
2002/0077663	A1 *	6/2002	Hinshaw	.....	A61J 17/02 606/235

2012/0290007	A1 *	11/2012	Rohrig	.....	A61J 17/02 606/235
2018/0200152	A1 *	7/2018	Price	.....	A61J 17/02
2020/0093707	A1 *	3/2020	Ferrell	.....	A61J 17/001

OTHER PUBLICATIONS

“Ryan & Rose: Cutie Bit Teether”. Found online Jul. 22, 2021 at [instagram.com](https://www.instagram.com/p/B3KA5HcDAsU/). Reference dated Oct. 3, 2019. Retrieved from <https://www.instagram.com/p/B3KA5HcDAsU/>.\*

“Ryan & Rose: Cutie Bit Teether, Cutie PAT Pacifier, Cutie Clips”. Found online Jul. 22, 2021 at [instagram.com](https://www.instagram.com/p/CHcCL0QjNvi/). Reference dated Nov. 11, 2020. Retrieved from <https://www.instagram.com/p/CHcCL0QjNvi/>.\*

“Ryan & Rose: Lindsey’s Story”. Found online Oct. 4, 2021 at [ryanandrose.co](https://www.ryanandrose.co/pages/lindseys-story). Reference dated—no date. Retrieved from <https://www.ryanandrose.co/pages/lindseys-story>.\*

\* cited by examiner

*Primary Examiner* — Kendra Leslie Hamilton  
(74) *Attorney, Agent, or Firm* — Baker Donelson

(57) **CLAIM**

The ornamental design for a teether, as shown and described.

**DESCRIPTION**

FIG. 1 is a top, front, left perspective view of a teether, showing my new design.

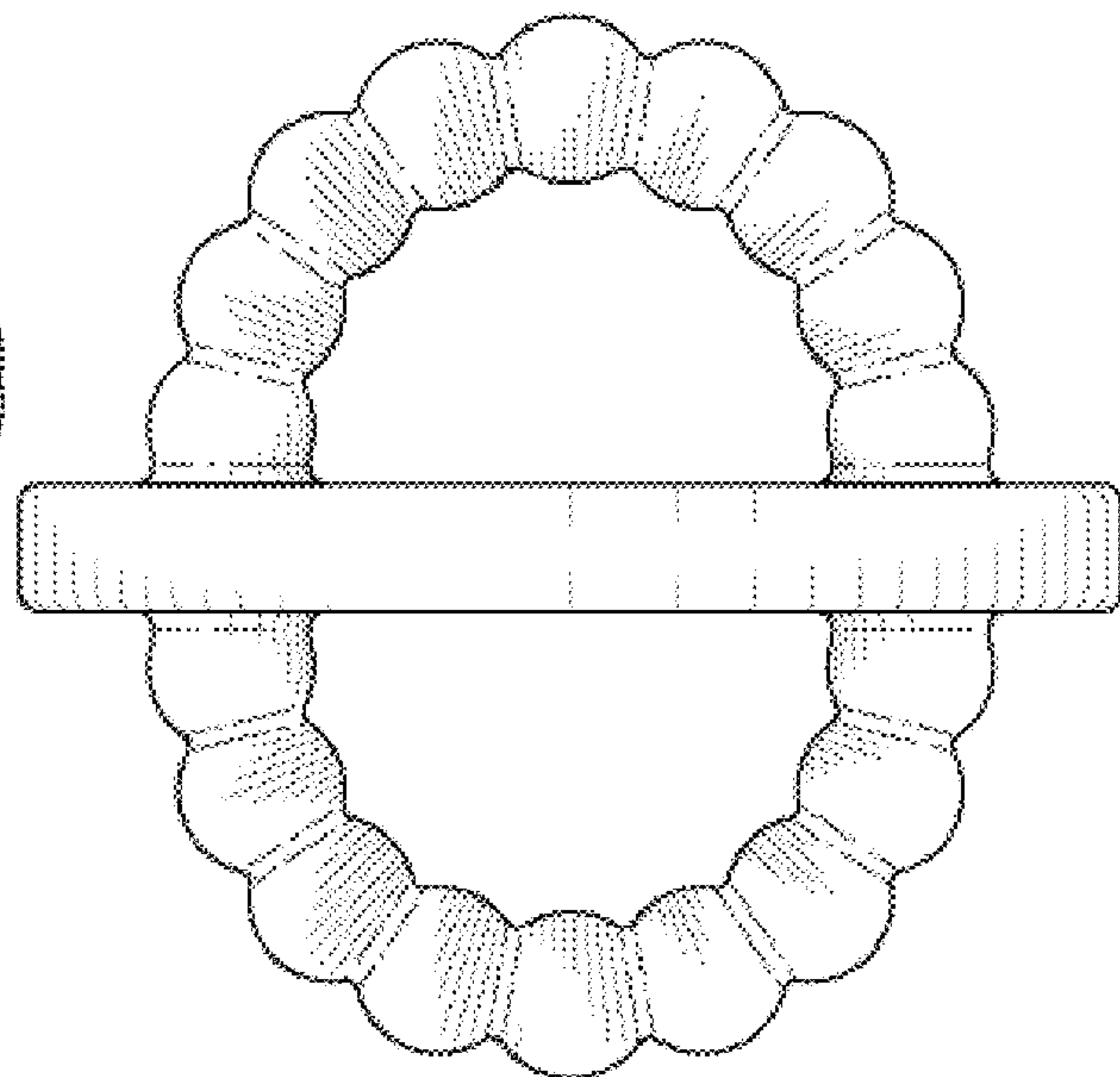
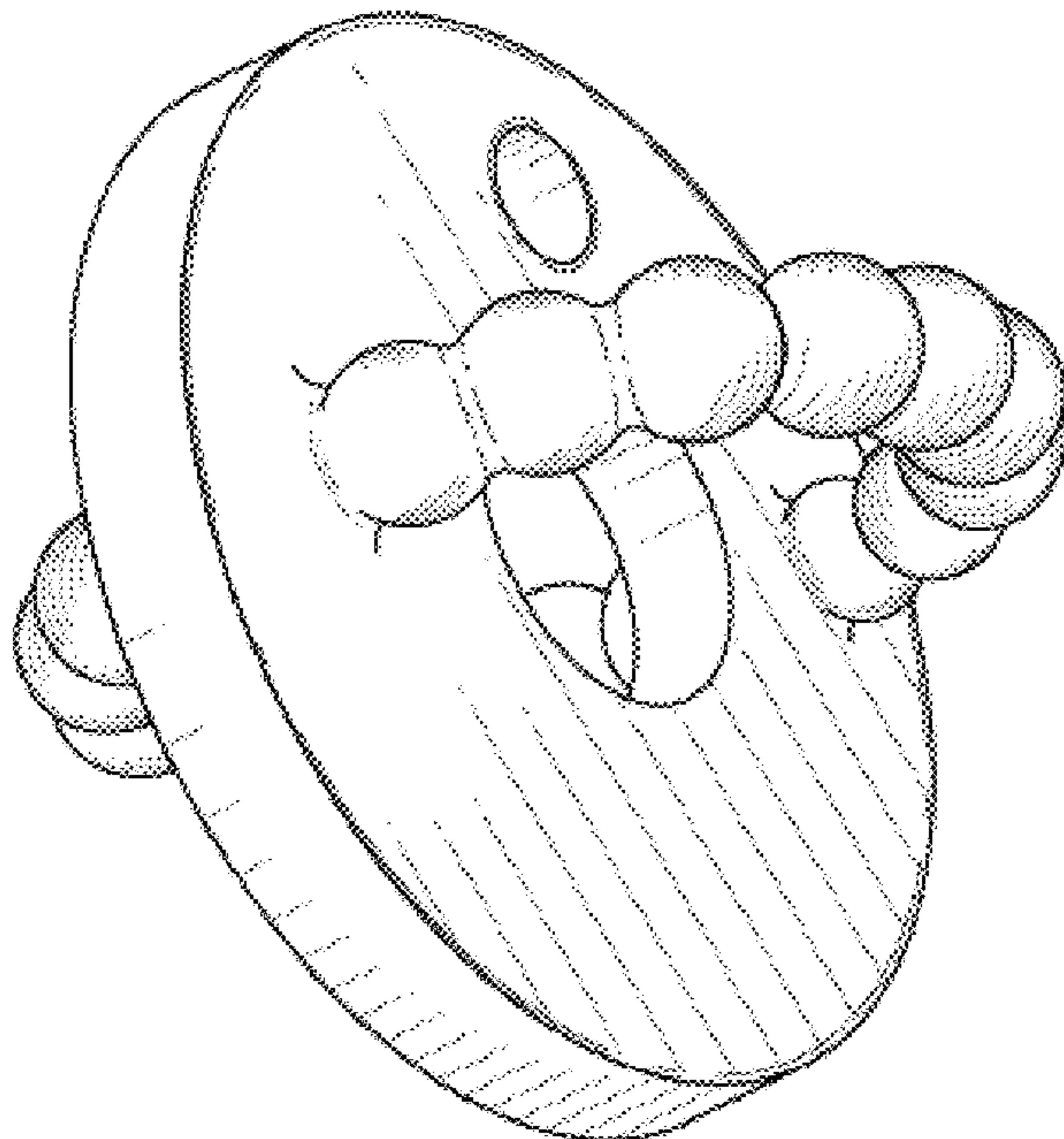
FIG. 2 is a top view of the teether as shown in FIG. 1, the bottom view being a mirror image thereof.

FIG. 3 is a front view of the teether as shown in FIG. 1, the back view being a mirror image thereof.

FIG. 4 is a left side view of the teether as shown in FIG. 1; and,

FIG. 5 is a right side view of the teether as shown in FIG. 1.

**1 Claim, 3 Drawing Sheets**



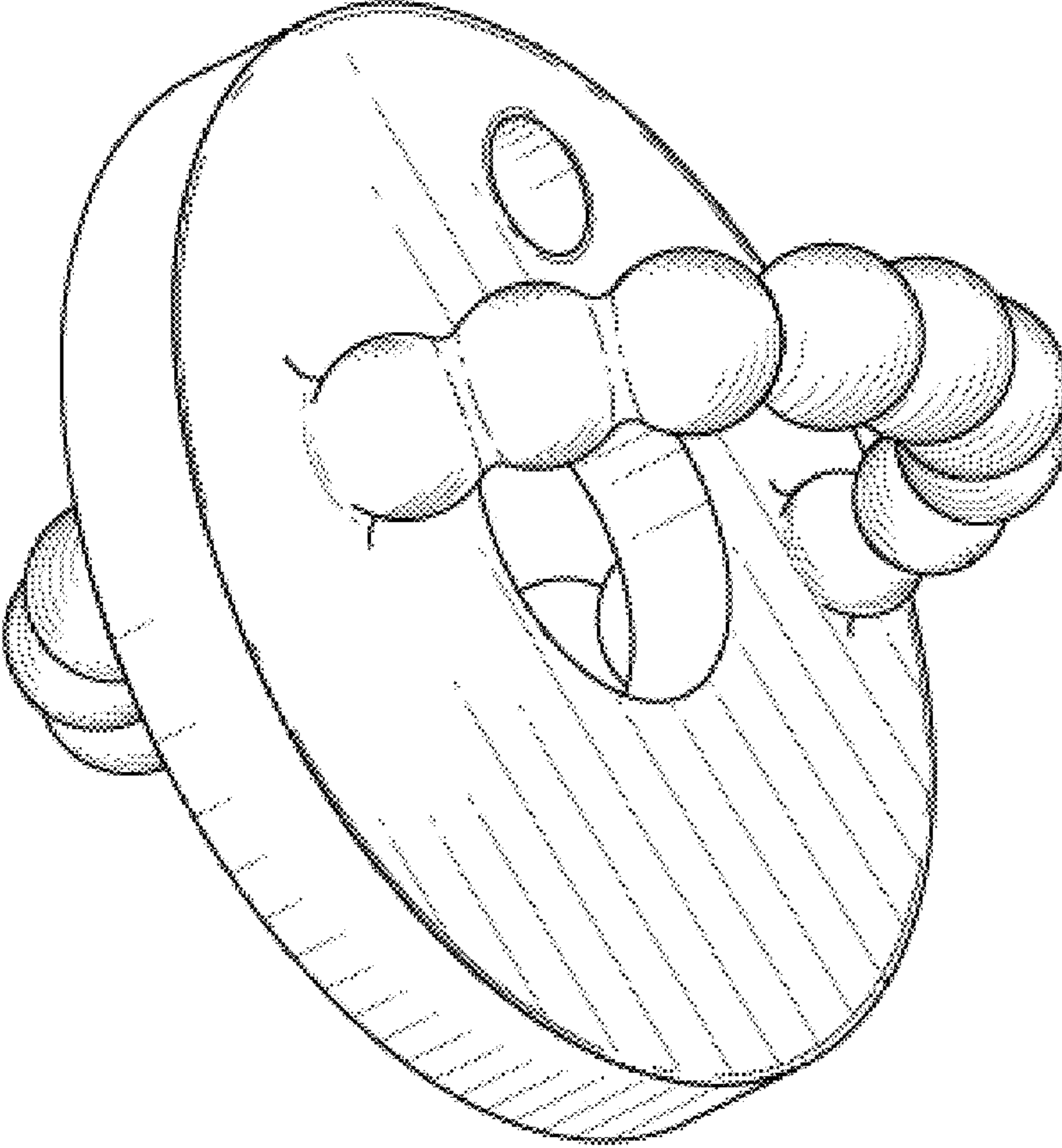


FIG. 1

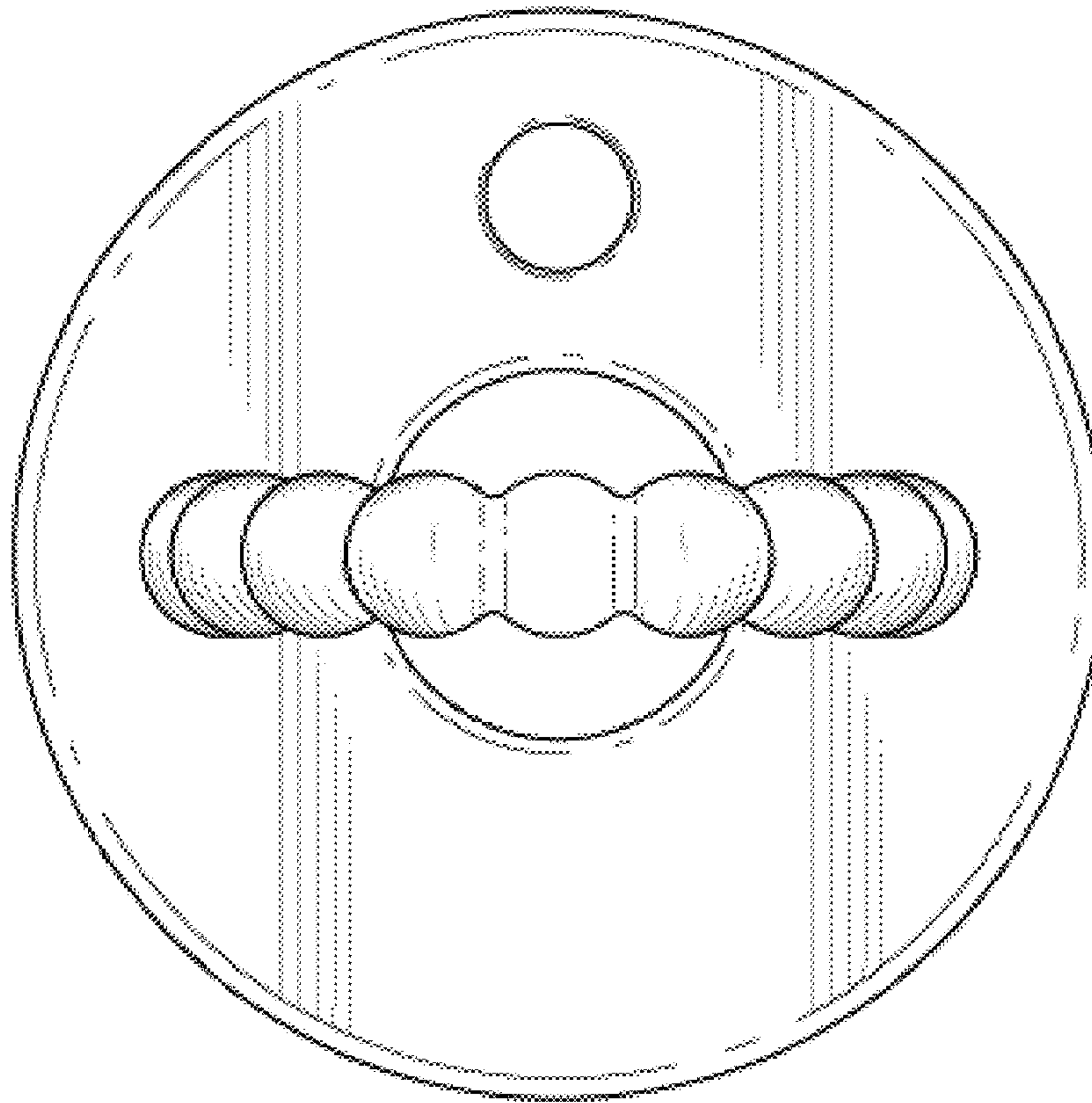


FIG. 2

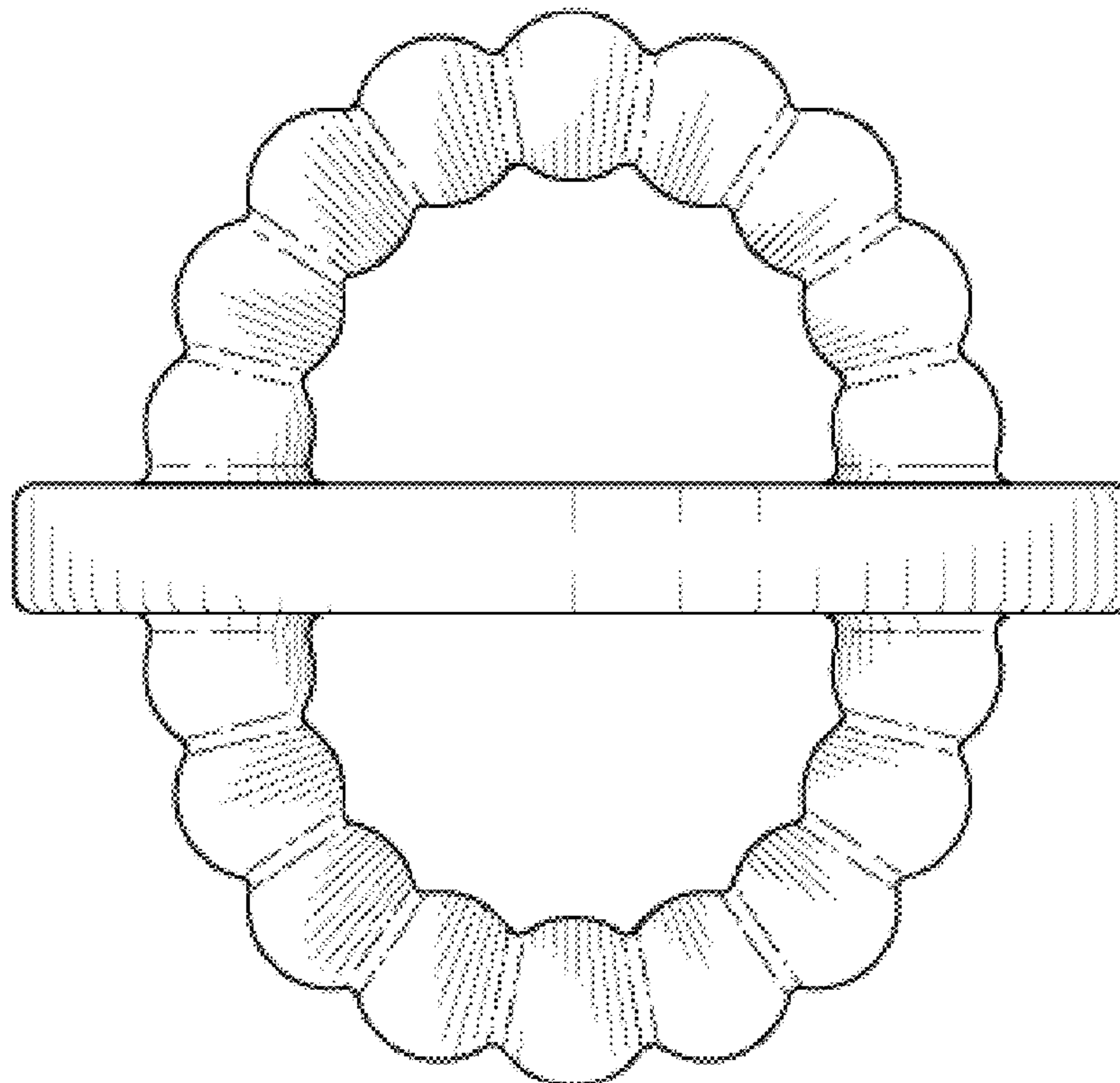


FIG. 3



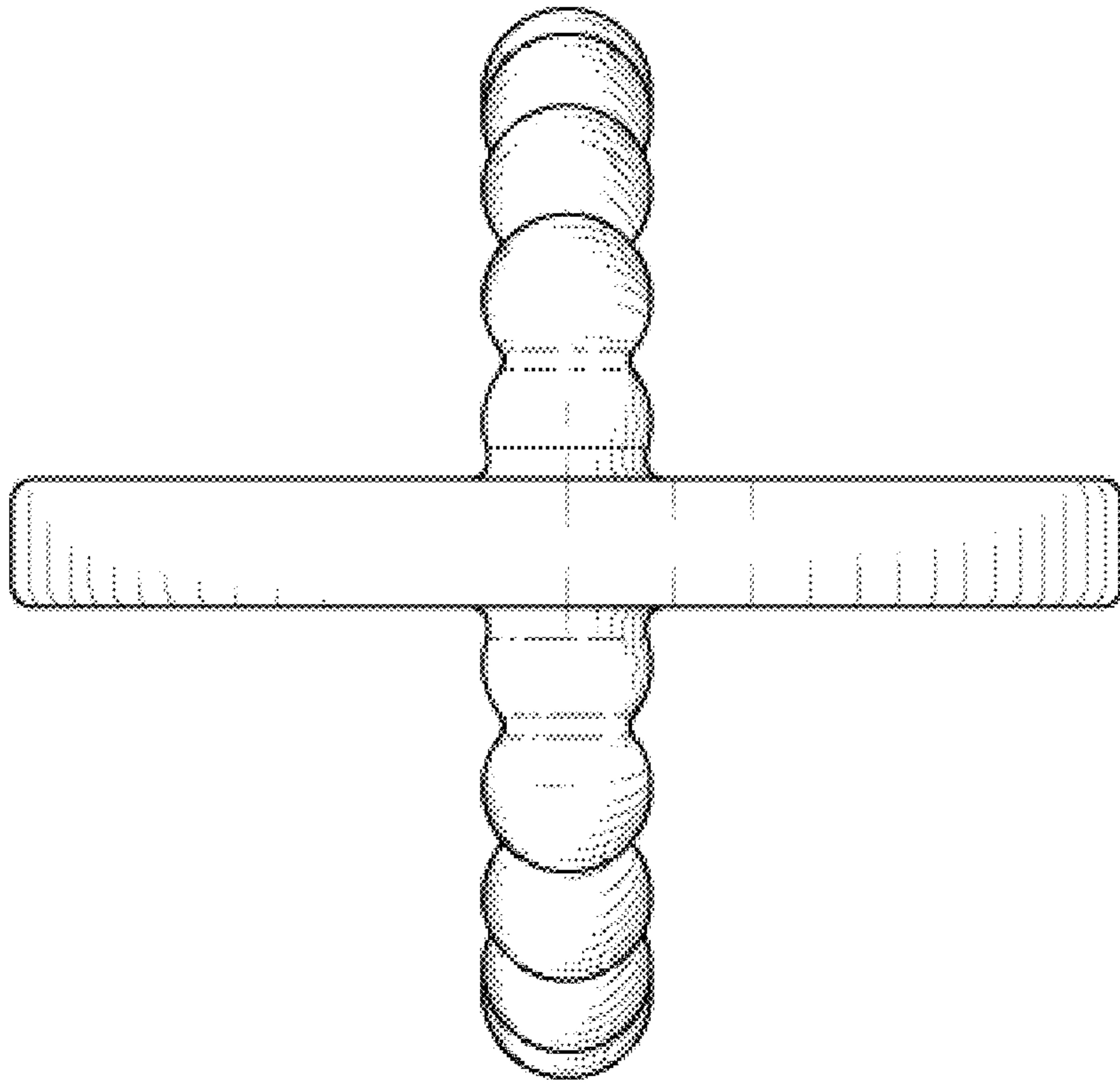


FIG. 4

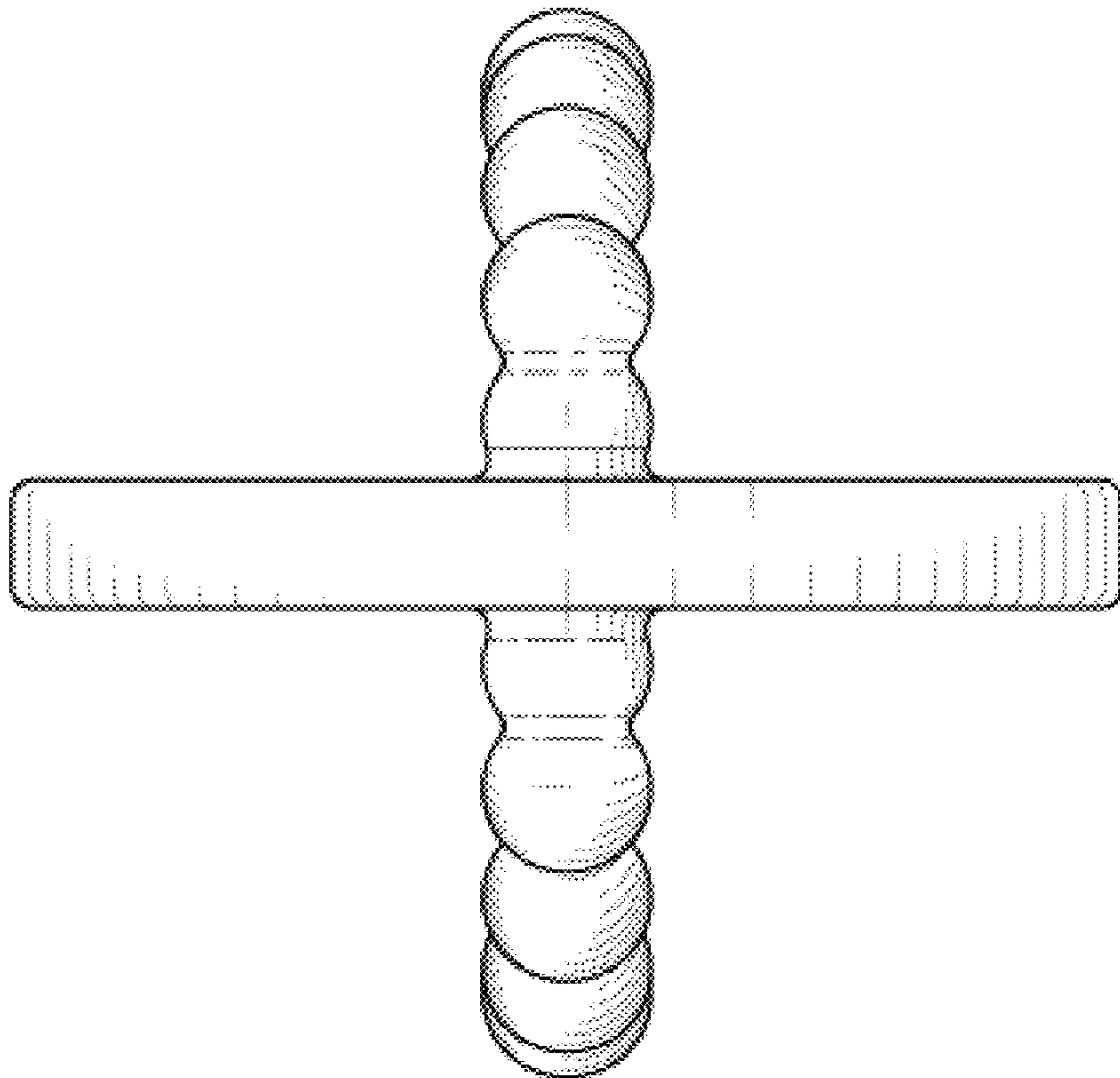


FIG. 5