



US00D944401S

(12) **United States Design Patent**
Wu et al.

(10) **Patent No.:** **US D944,401 S**

(45) **Date of Patent:** **** Feb. 22, 2022**

(54) **ACCESSORY FOR RADIOTHERAPY EQUIPMENT**

(71) Applicant: **OUR UNITED CORPORATION,**
Xi'an (CN)

(72) Inventors: **Zhonghua Wu,** Xi'an (CN); **Daliang Li,** Xi'an (CN); **Ziheng Nie,** Xi'an (CN)

(73) Assignee: **Our United Corporation,** Xi'an (CN)

(**) Term: **15 Years**

(21) Appl. No.: **29/718,348**

(22) Filed: **Dec. 23, 2019**

(30) **Foreign Application Priority Data**

Jun. 26, 2019 (CN) 201930333628.7

(51) **LOC (13) Cl.** **24-01**

(52) **U.S. Cl.**
USPC **D24/158**

(58) **Field of Classification Search**
USPC D24/158-161, 185, 186, 107
CPC .. A61B 5/05; A61B 5/055; A61B 6/03; A61B 6/035
See application file for complete search history.

(56) **References Cited**

U.S. PATENT DOCUMENTS

D570,484 S * 6/2008 Kaneko D24/158
D618,355 S * 6/2010 Delaey D24/185

D700,339 S * 2/2014 Tan D24/158
D700,340 S * 2/2014 Tan D24/158
D701,309 S * 3/2014 Ohmukai D24/158
D726,916 S * 4/2015 Kim D24/158
D768,299 S * 10/2016 Kim D24/158
D785,800 S * 5/2017 Park D24/158
D806,878 S * 1/2018 Chang D24/158
D818,126 S * 5/2018 Personelli D24/158
D839,431 S * 1/2019 Morreale D24/159
D868,262 S * 11/2019 Achleitner D24/158
D876,630 S * 2/2020 Chang D24/158
D887,004 S * 6/2020 Chang D24/158
D892,333 S * 8/2020 Warlick D24/158
D898,917 S * 10/2020 Stalter D24/158

* cited by examiner

Primary Examiner — Lilyana Bekic

Assistant Examiner — Mary Shannon Malley

(74) *Attorney, Agent, or Firm* — Knobbe, Martens, Olson & Bear, LLP

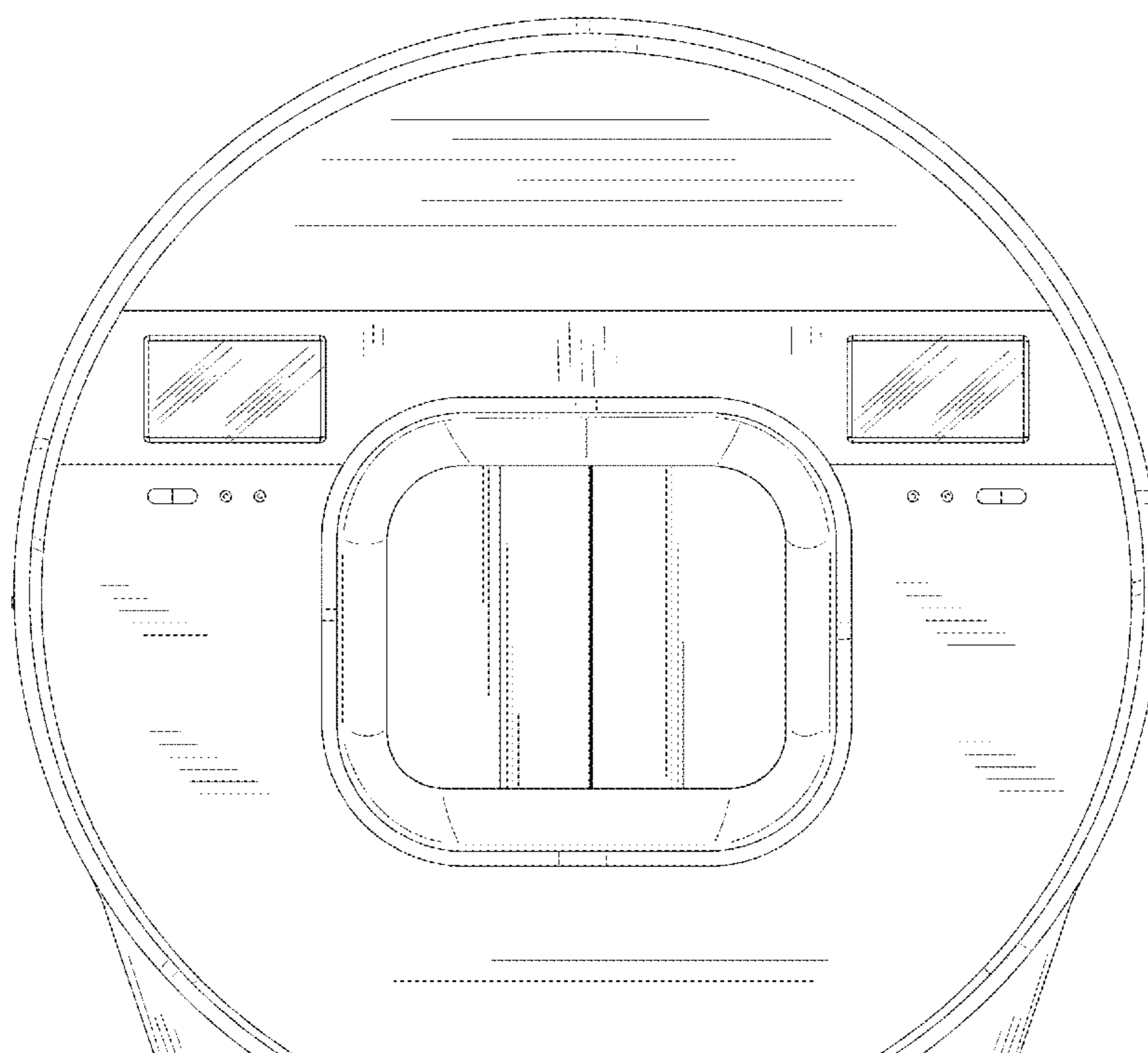
(57) **CLAIM**

The ornamental design for an accessory for radiotherapy equipment, as shown and described.

DESCRIPTION

FIG. 1 is a front elevational view of an accessory for radiotherapy equipment showing our new design; FIG. 2 is a rear elevational view thereof; FIG. 3 is a left side elevational view thereof; FIG. 4 is a right side elevation view thereof; FIG. 5 is a top plan view thereof; FIG. 6 is a bottom plan view thereof; and, FIG. 7 is a front perspective view thereof.

1 Claim, 7 Drawing Sheets



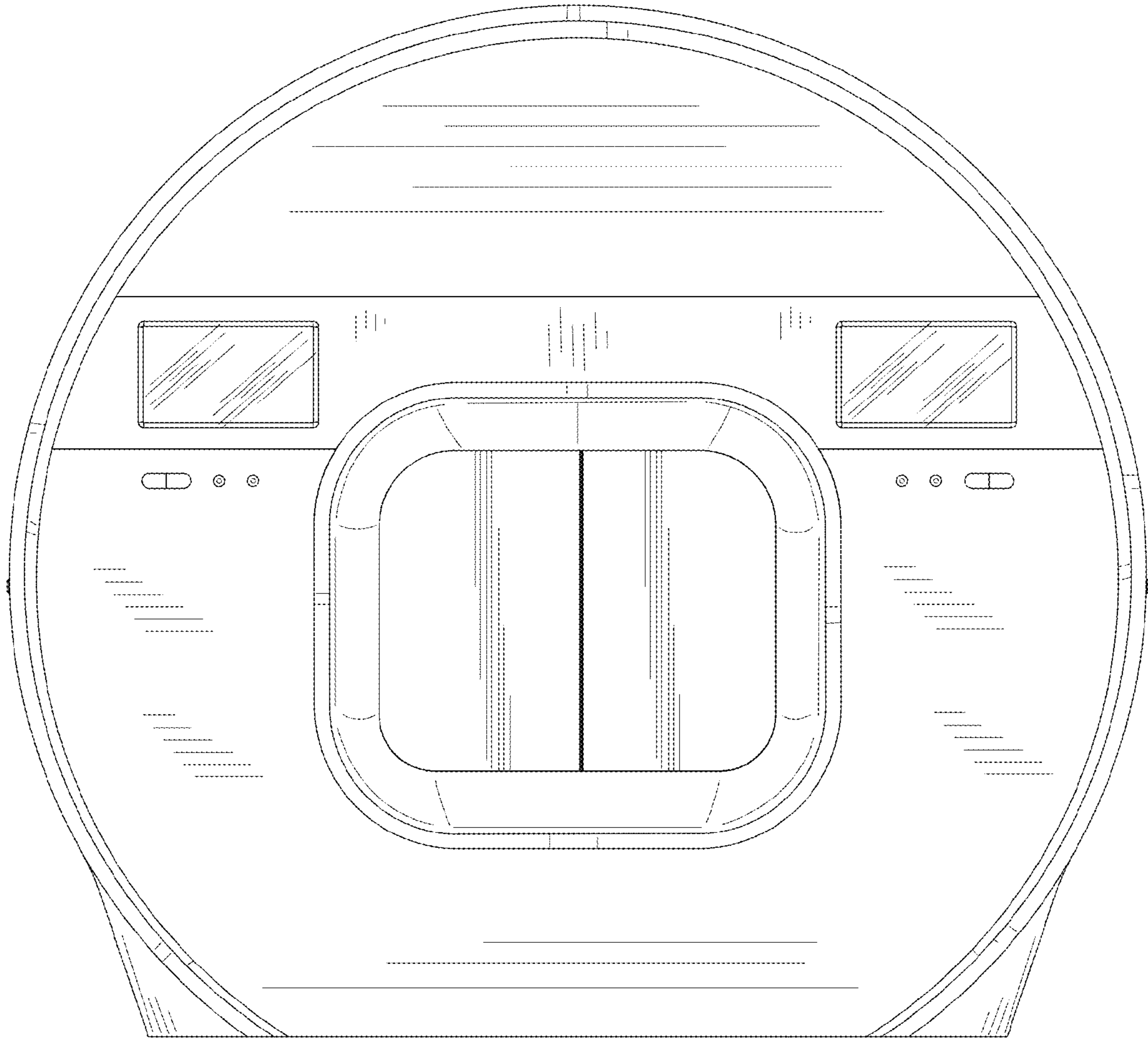


FIG.1

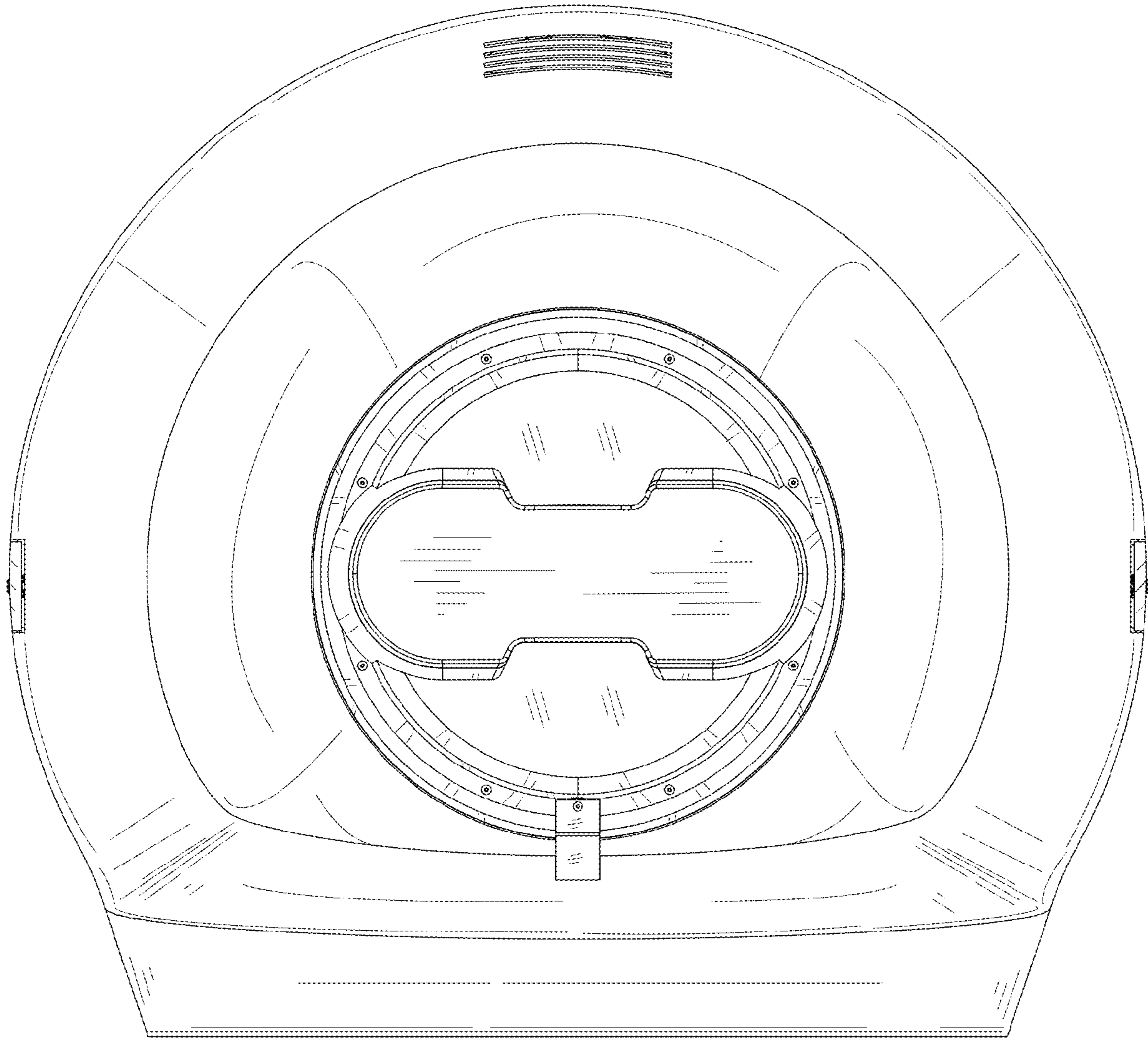


FIG.2

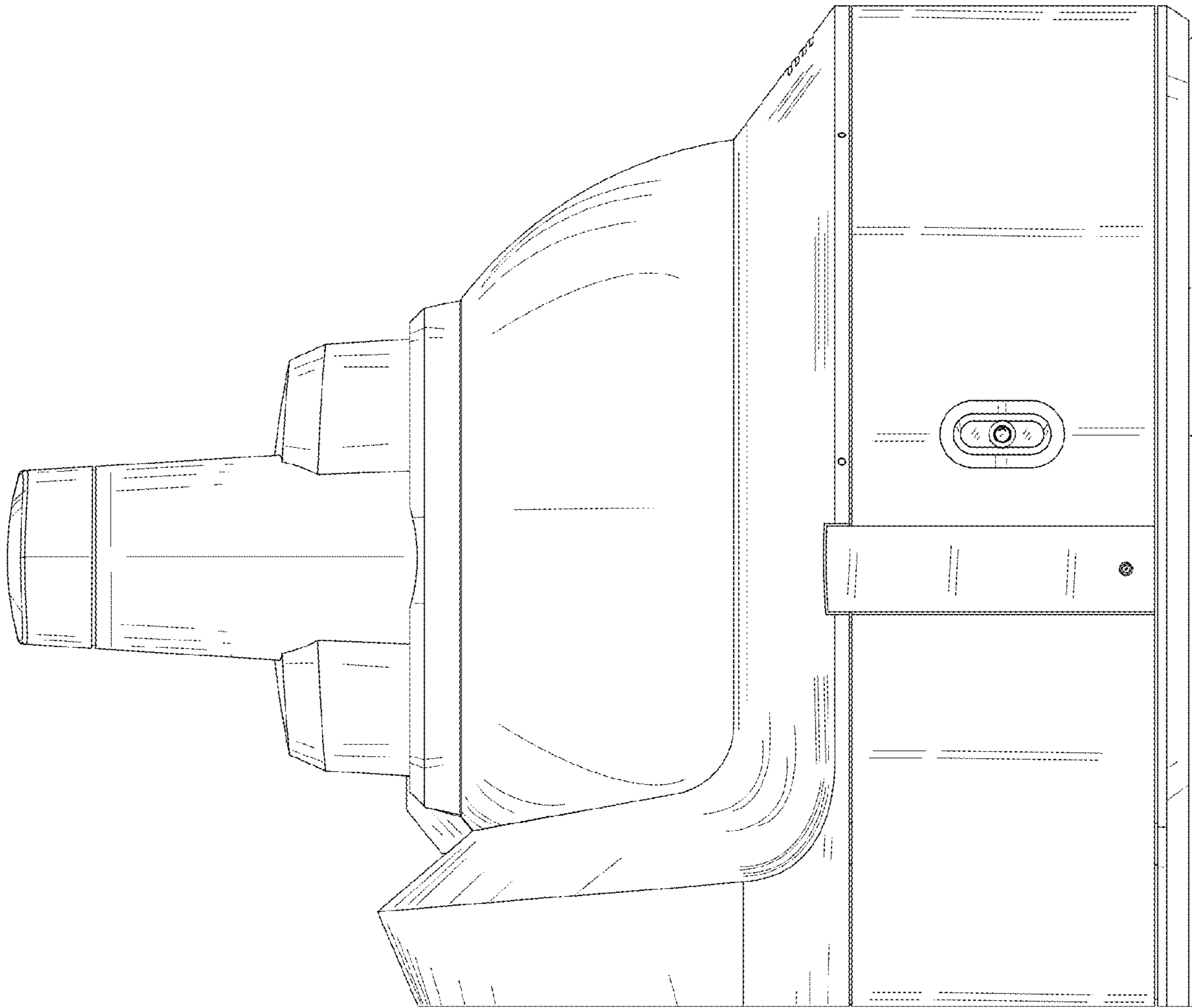


FIG.3

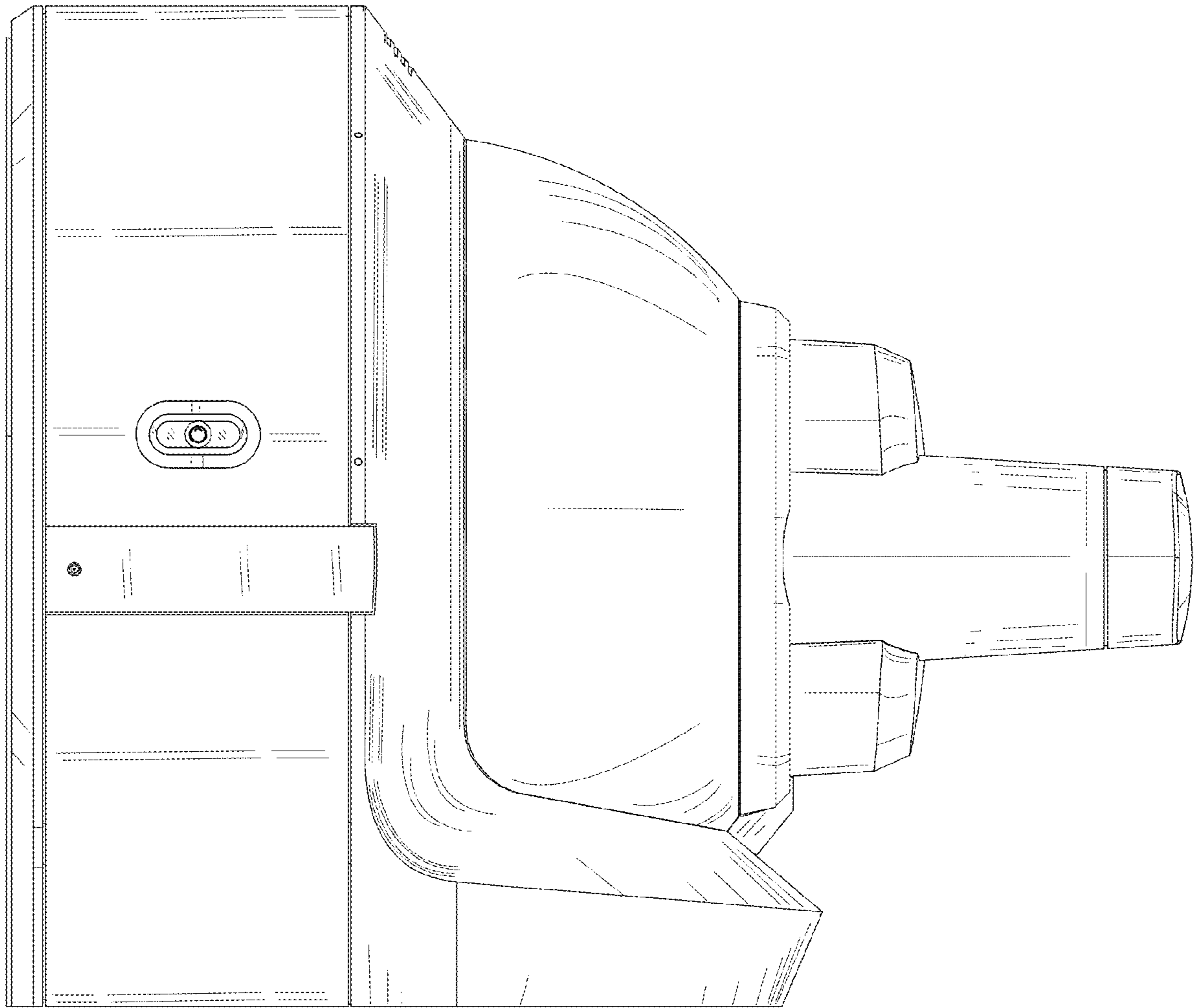


FIG.4

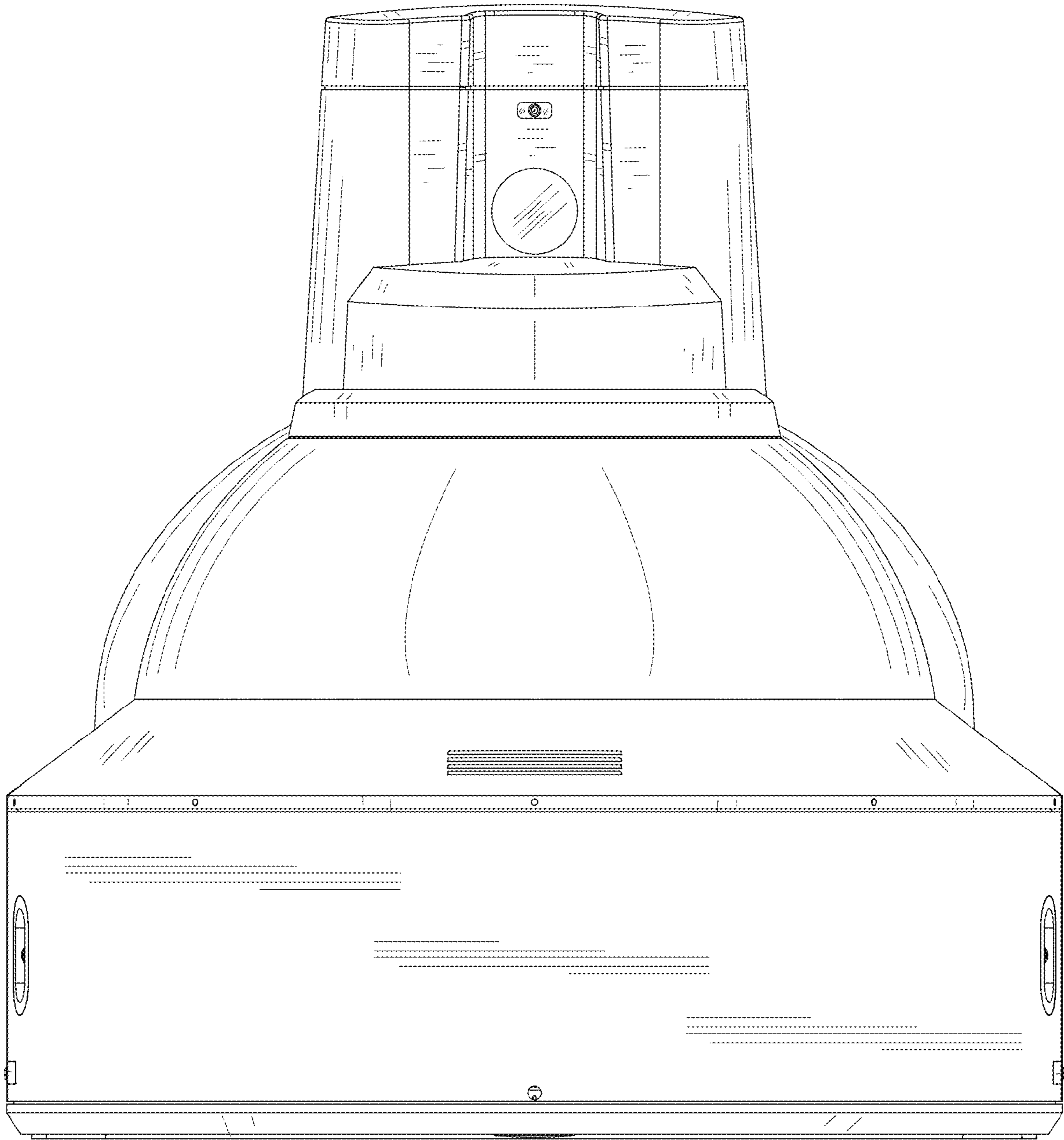


FIG.5

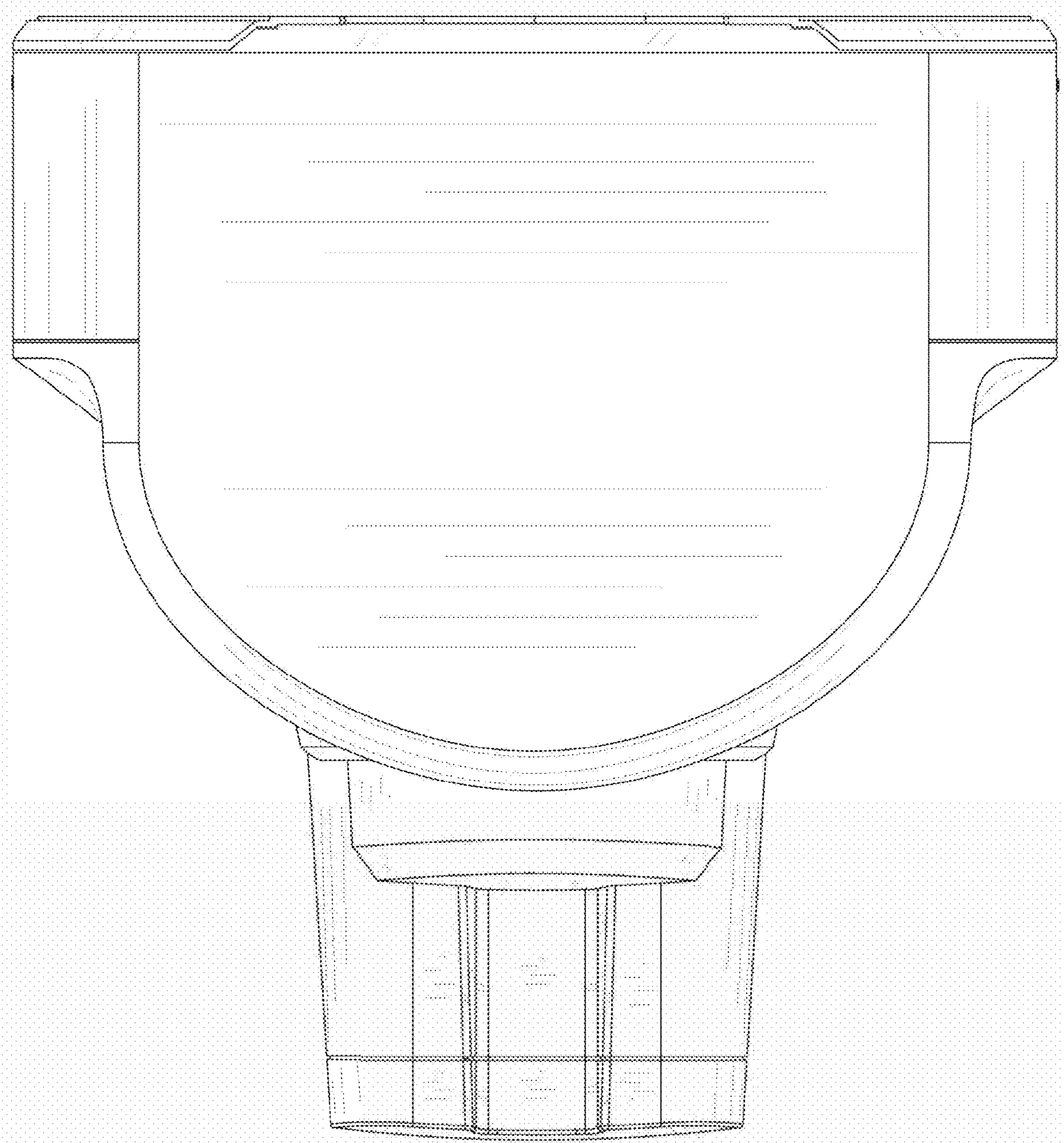


FIG.6

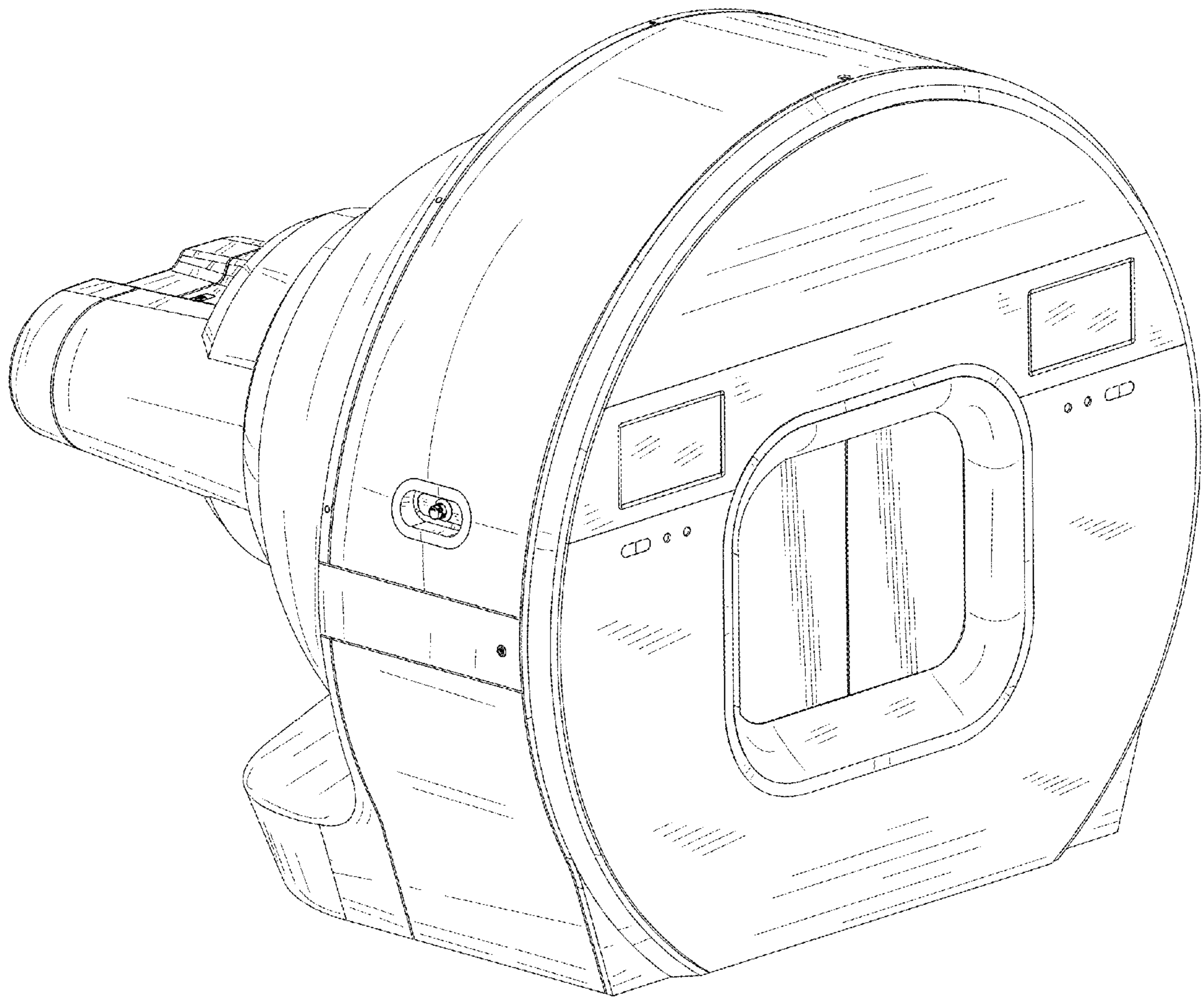


FIG.7