



US00D944397S

(12) **United States Design Patent**
Hornbeck

(10) **Patent No.:** **US D944,397 S**

(45) **Date of Patent:** **** Feb. 22, 2022**

(54) **MEDICAL INSTRUMENT**
(71) Applicant: **JADE FINANCE S.A.R.L.**,
Luxembourg (LU)
(72) Inventor: **Jacques Hornbeck**, Luxembourg (LU)
(73) Assignee: **JADE FINANCE S.A.R.L.**,
Luxembourg (LU)

7,137,816 B2 * 11/2006 Gervais A61C 8/0001
433/173
7,160,109 B2 * 1/2007 Gervais A61C 8/0001
433/141
9,492,249 B1 * 11/2016 Lefman A61C 3/00
9,770,309 B2 * 9/2017 Kirsch A61C 1/141
10,201,405 B2 * 2/2019 Bellanca A61C 8/0059
D879,294 S * 3/2020 Sarig D24/152
D915,595 S * 4/2021 Kim D24/152
2013/0004916 A1 * 1/2013 Bellanca A61C 8/0068
433/173
2014/0315140 A1 * 10/2014 Pruckner A61B 17/16
433/27

(**) Term: **15 Years**

(21) Appl. No.: **29/705,191**

(22) Filed: **Sep. 10, 2019**

(30) **Foreign Application Priority Data**

Nov. 3, 2019 (BX) 87979-01

(51) **LOC (13) Cl.** **24-02**

(52) **U.S. Cl.**
USPC **D24/152**

(58) **Field of Classification Search**
USPC D24/152
CPC A61C 8/00; A61C 8/0068; A61C 8/0057;
A61C 8/0018; A61C 8/0066; A61C
8/0089; A61C 8/006; A61C 8/0059
See application file for complete search history.

(56) **References Cited**

U.S. PATENT DOCUMENTS

5,622,500 A * 4/1997 Niznick A61C 8/0048
206/63.5
6,206,696 B1 * 3/2001 Day A61C 8/008
433/141

* cited by examiner

Primary Examiner — Charles D Hanson

(74) *Attorney, Agent, or Firm* — Cantor Colburn LLP

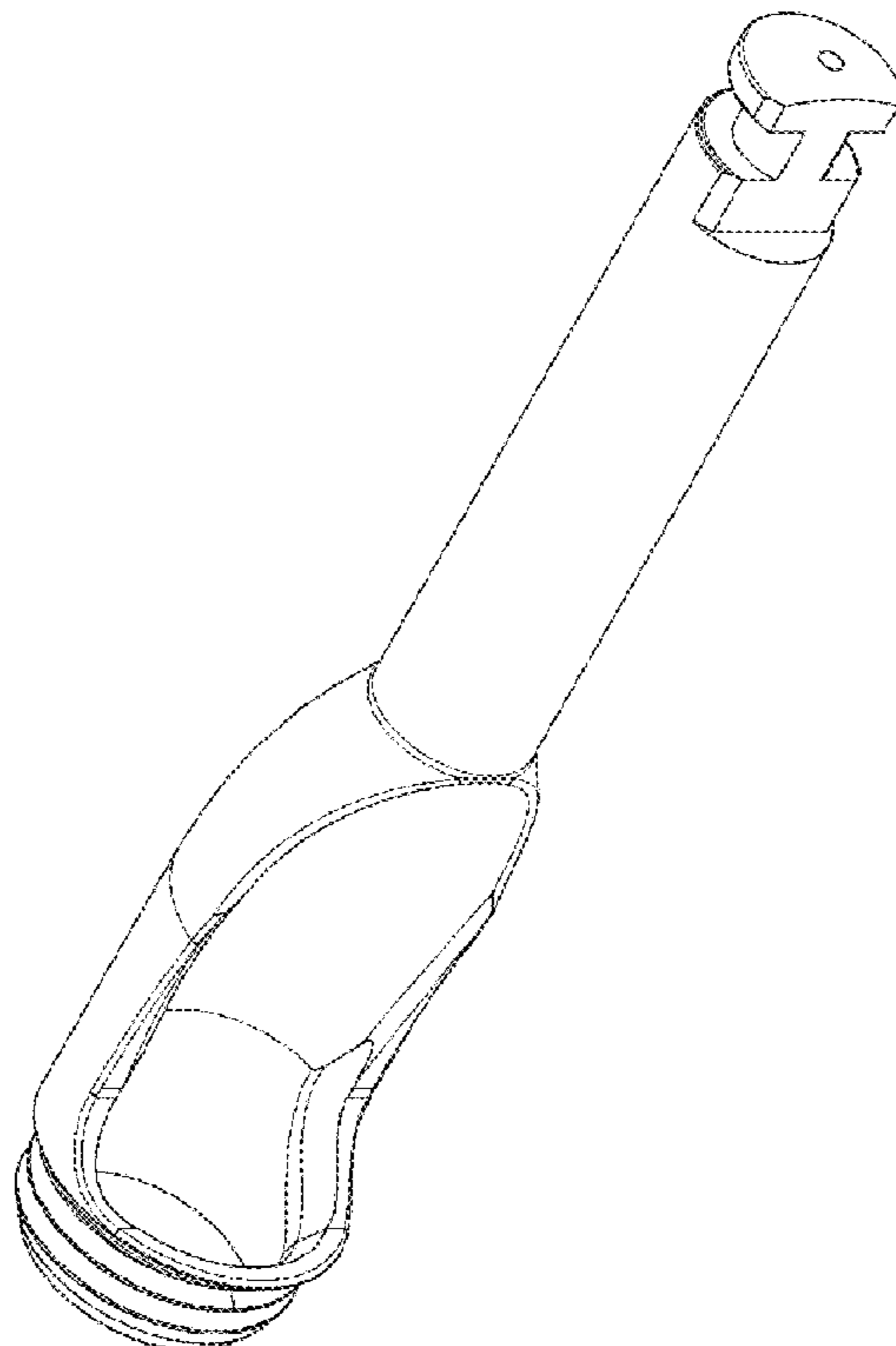
(57) **CLAIM**

I claim, the ornamental design for a medical instrument, as shown and described.

DESCRIPTION

FIG. 1 is a perspective view of a medical instrument, showing my new design;
FIG. 2 is a side view thereof;
FIG. 3 is a front view thereof;
FIG. 4 is a side view thereof, taken from the opposite of FIG. 2;
FIG. 5 is another perspective view thereof;
FIG. 6 is a top view thereof; and,
FIG. 7 is a rear view thereof.

1 Claim, 7 Drawing Sheets



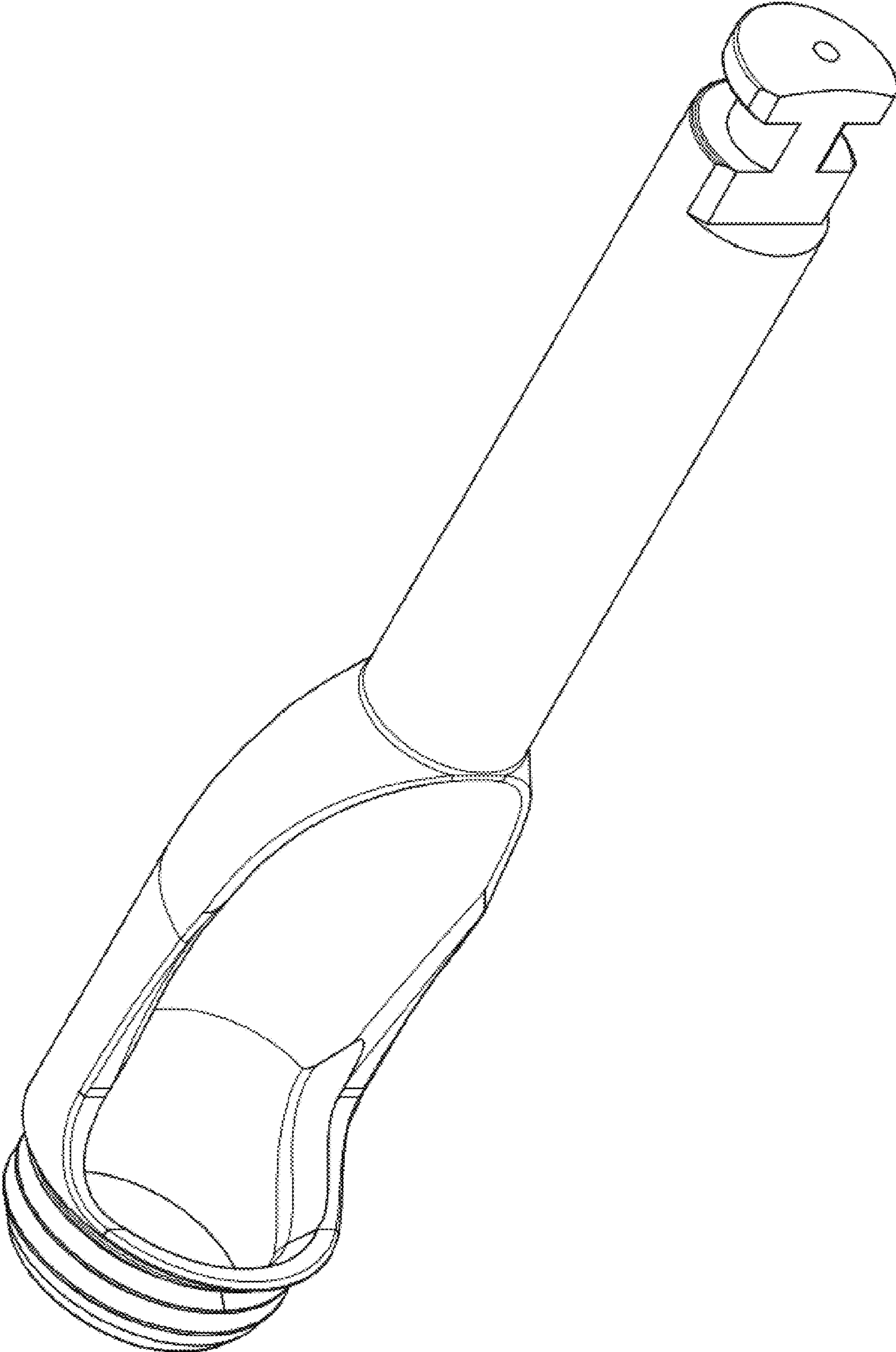


FIGURE 1

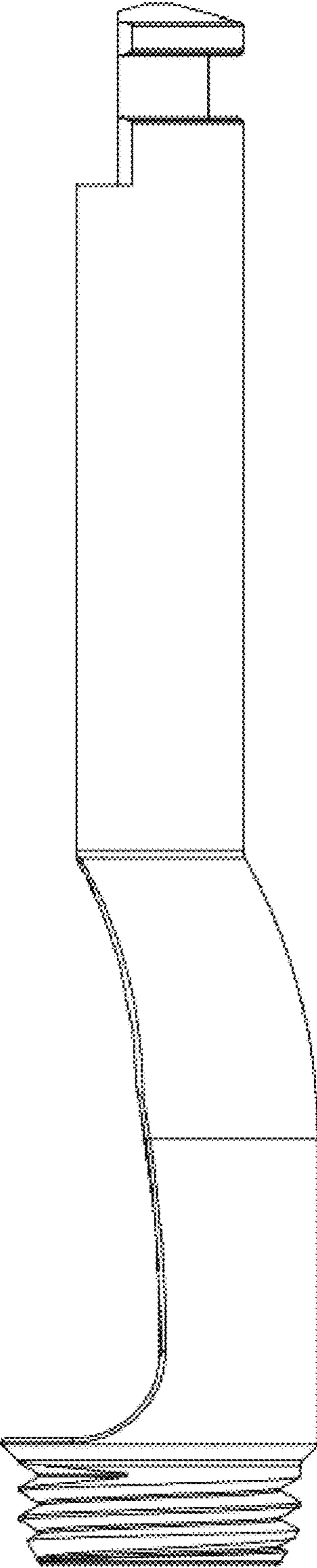


FIGURE 2

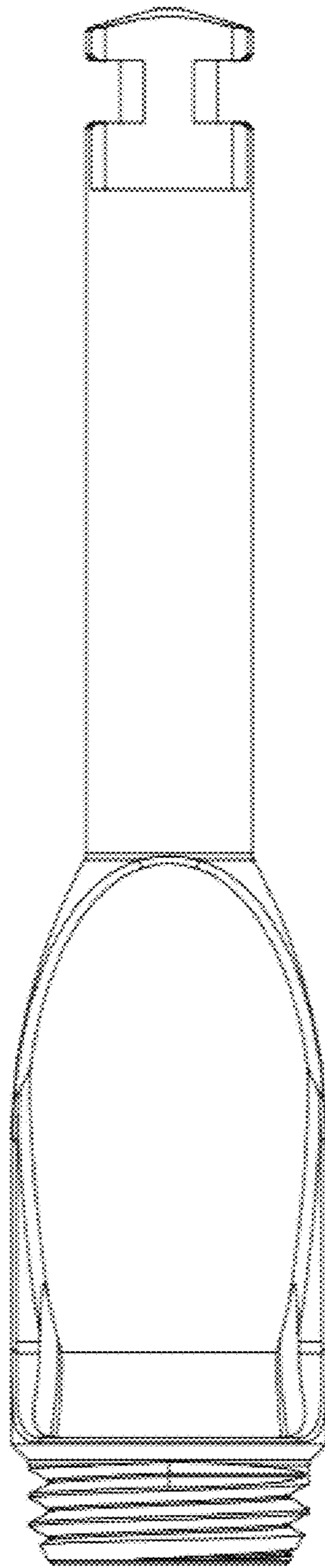


FIGURE 3

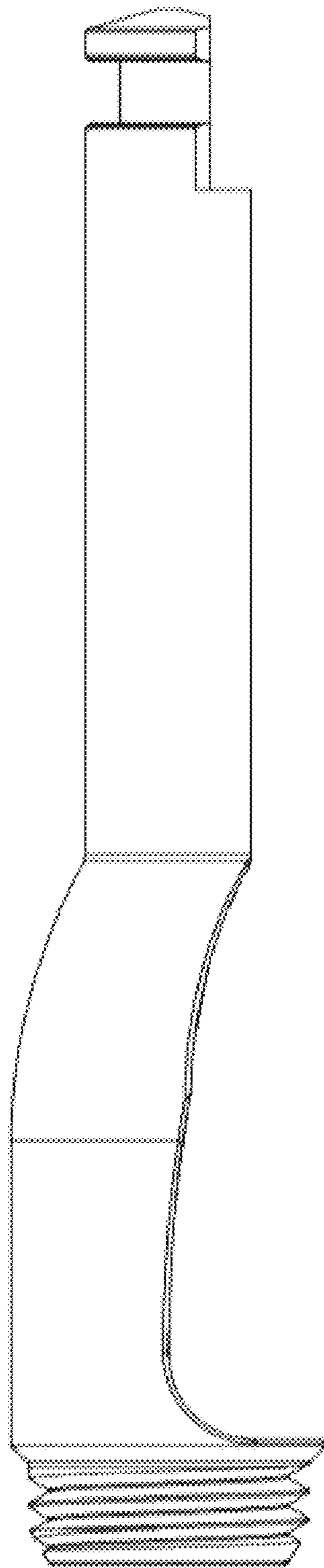


FIGURE 4

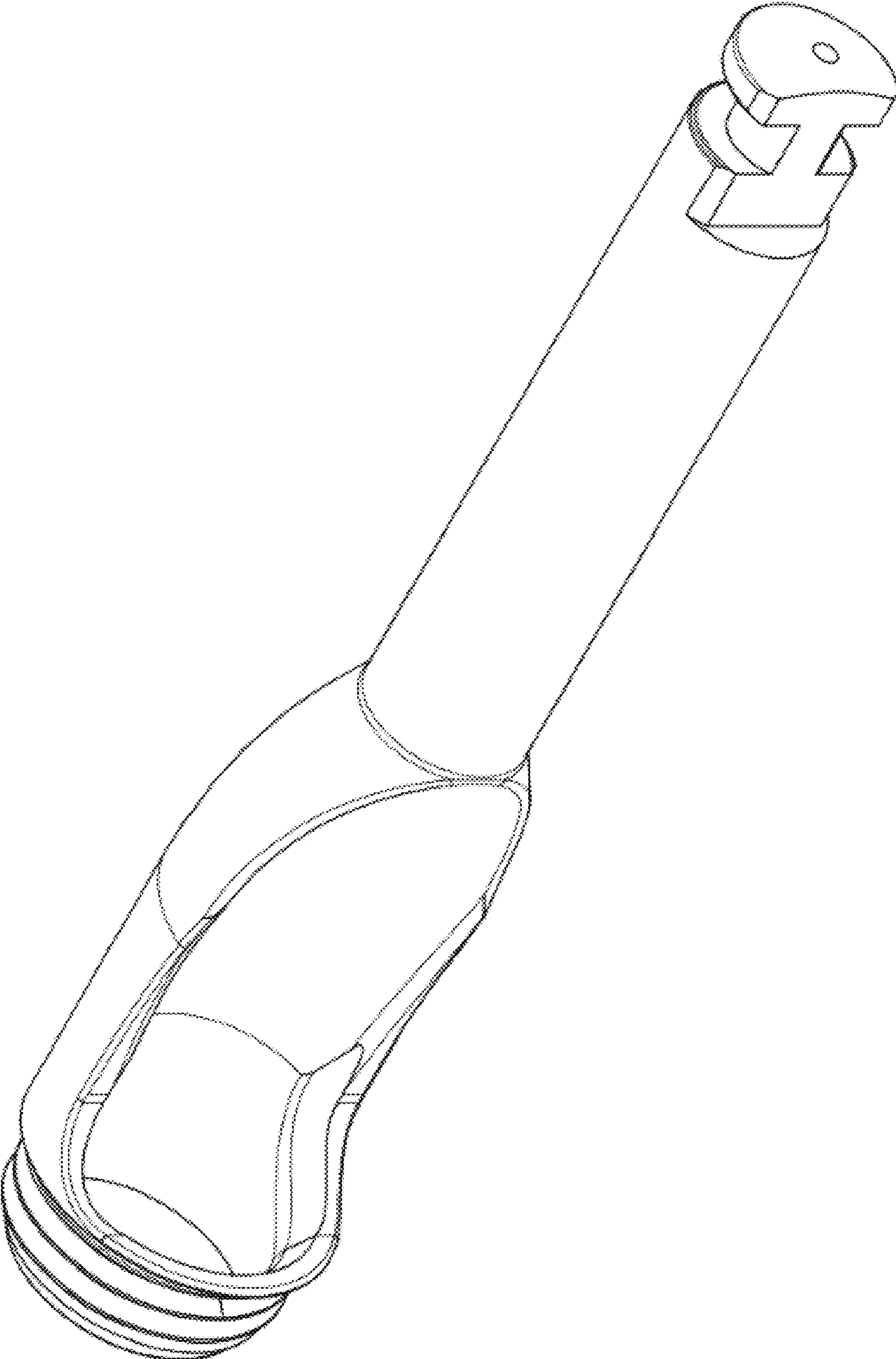


FIGURE 5

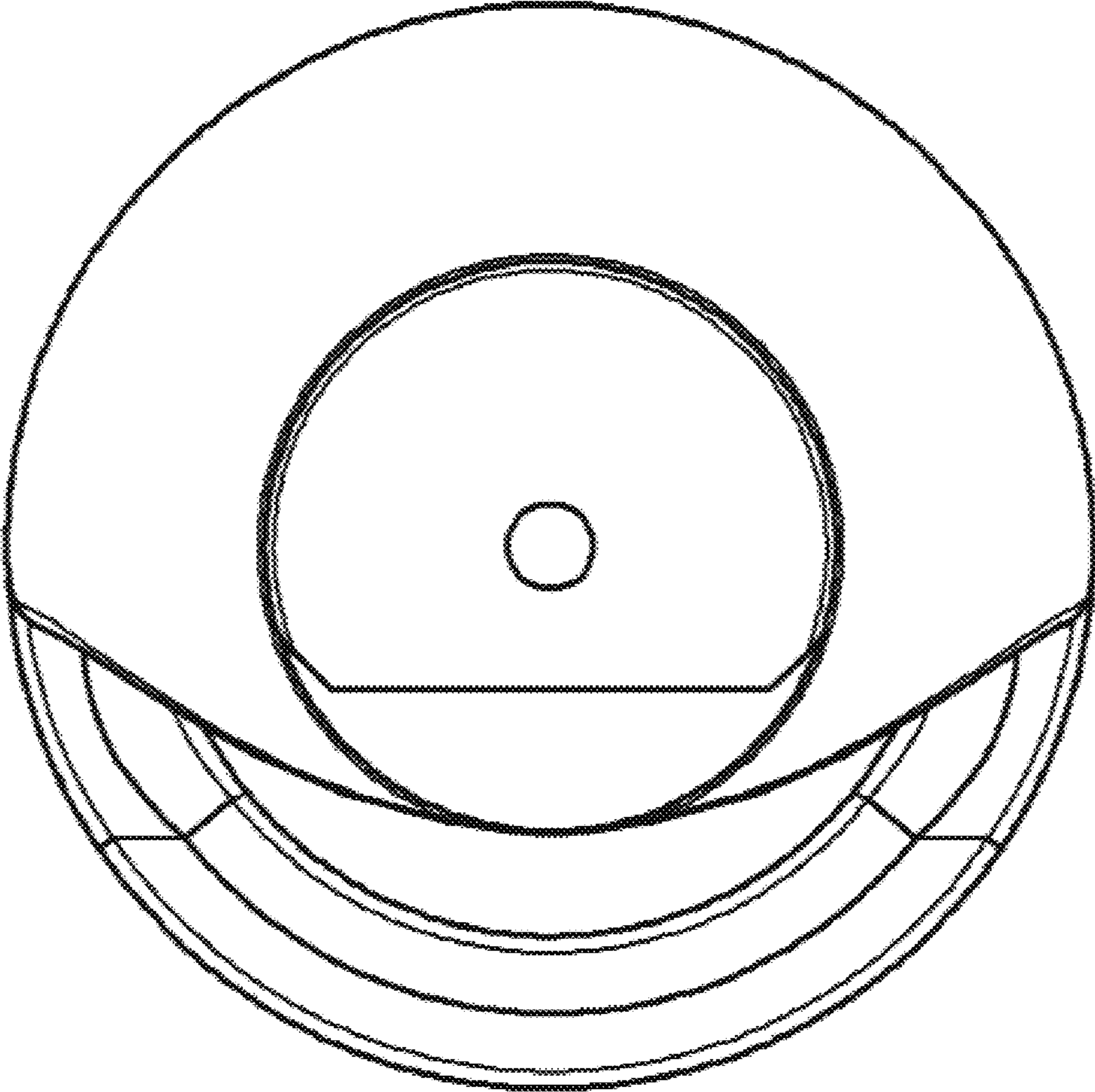


FIGURE 6

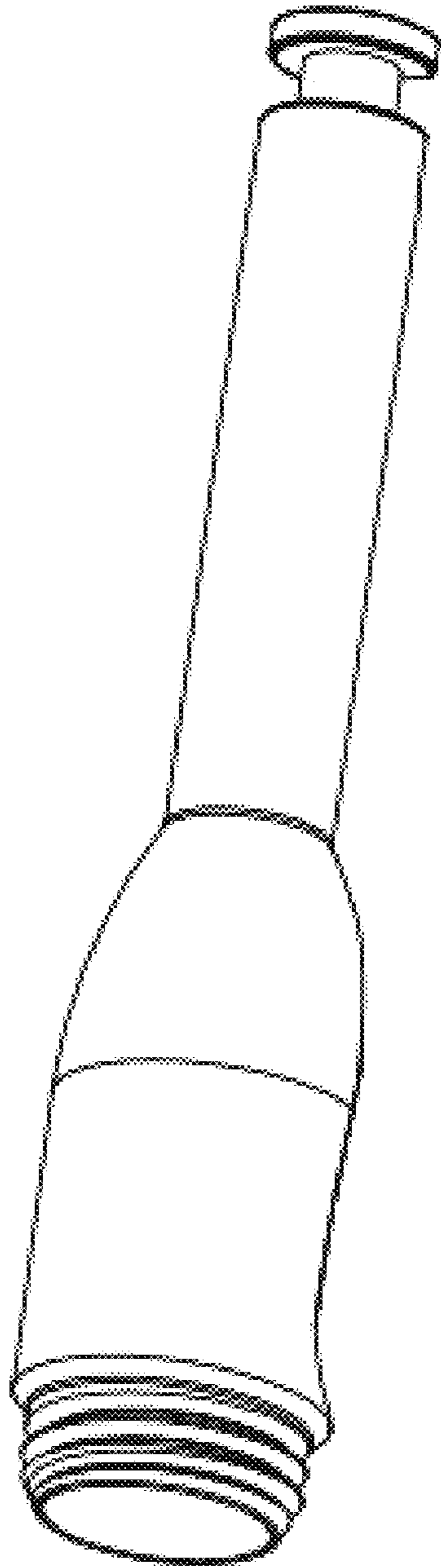


FIGURE 7