



US00D944393S

(12) **United States Design Patent** (10) **Patent No.:** **US D944,393 S**  
**Bertrand et al.** (45) **Date of Patent:** **\*\* Feb. 22, 2022**

(54) **TOOL FOR ADJUSTING AN IMPLANTABLE ADJUSTABLE FLUID FLOW CONTROL VALVE**

(74) *Attorney, Agent, or Firm* — Harness, Dickey & Pierce, P.L.C.

(71) Applicant: **Medtronic, Inc.**, Minneapolis, MN (US)

(57) **CLAIM**

The ornamental design for a tool for adjusting an implantable adjustable fluid flow control valve, as shown and described.

(72) Inventors: **William J. Bertrand**, Ventura, CA (US); **Leanne M. Lintula**, Santa Barbara, CA (US); **Leonard Porche**, Simi Valley, CA (US)

**DESCRIPTION**

(73) Assignee: **Medtronic, Inc.**, Minneapolis, MN (US)

FIG. 1 is a top front perspective view of an ornamental design for an assembly for locating, indicating, and adjusting a valve;

(\*\*) Term: **15 Years**

FIG. 2 is a top plan view of the design for of the assembly for locating, indicating, and adjusting a valve;

(21) Appl. No.: **29/794,598**

FIG. 3 is a bottom plan view of the design for the assembly for locating, indicating, and adjusting a valve;

(22) Filed: **Jun. 14, 2021**

FIG. 4 is a rear perspective view of the design for the assembly for locating, indicating, and adjusting a valve;

**Related U.S. Application Data**

FIG. 5 is a cross-sectional view of a design for an adjustment tool of an assembly for locating, indicating, and adjusting a valve taken along line 5-5 of FIG. 2;

(63) Continuation of application No. 29/683,136, filed on Mar. 11, 2019, now Pat. No. Des. 922,572, which is (Continued)

FIG. 6 is a cross-sectional view of the design for an indicator tool at the assembly for locating, indicating, and adjusting a valve taken along line 6-6 of FIG. 2;

(51) **LOC (13) Cl.** ..... **24-02**

(52) **U.S. Cl.**  
USPC ..... **D24/129**

FIG. 7 is a cross-sectional view of the design for the locator tool of the assembly for locating, indicating, and adjusting a valve taken along line 7-7 of FIG. 2;

(58) **Field of Classification Search**  
USPC ..... D24/112–114, 108, 130, 127, 133, 186; 606/181, 185; 604/264, 523–528, 272, (Continued)

FIG. 8 is a partial assembled view of the design for the indicator tool of an assembly for locating, indicating, and adjusting a valve;

(56) **References Cited**

**U.S. PATENT DOCUMENTS**

5,738,666 A \* 4/1998 Watson ..... A61B 1/00135 604/247  
2009/0112308 A1 \* 4/2009 Kassem ..... A61M 39/22 623/1.24

FIG. 9 is a bottom perspective view of the design for the assembly for locating, indicating, and adjusting a valve;

FIG. 10 is a first side elevation view of the design for the assembly for locating, indicating, and adjusting a valve;

FIG. 11 is a second side elevation view of the design for the assembly for locating, indicating, and adjusting a valve;

FIG. 12 is a third side elevation view of the design for the assembly for locating, indicating, and adjusting a valve;

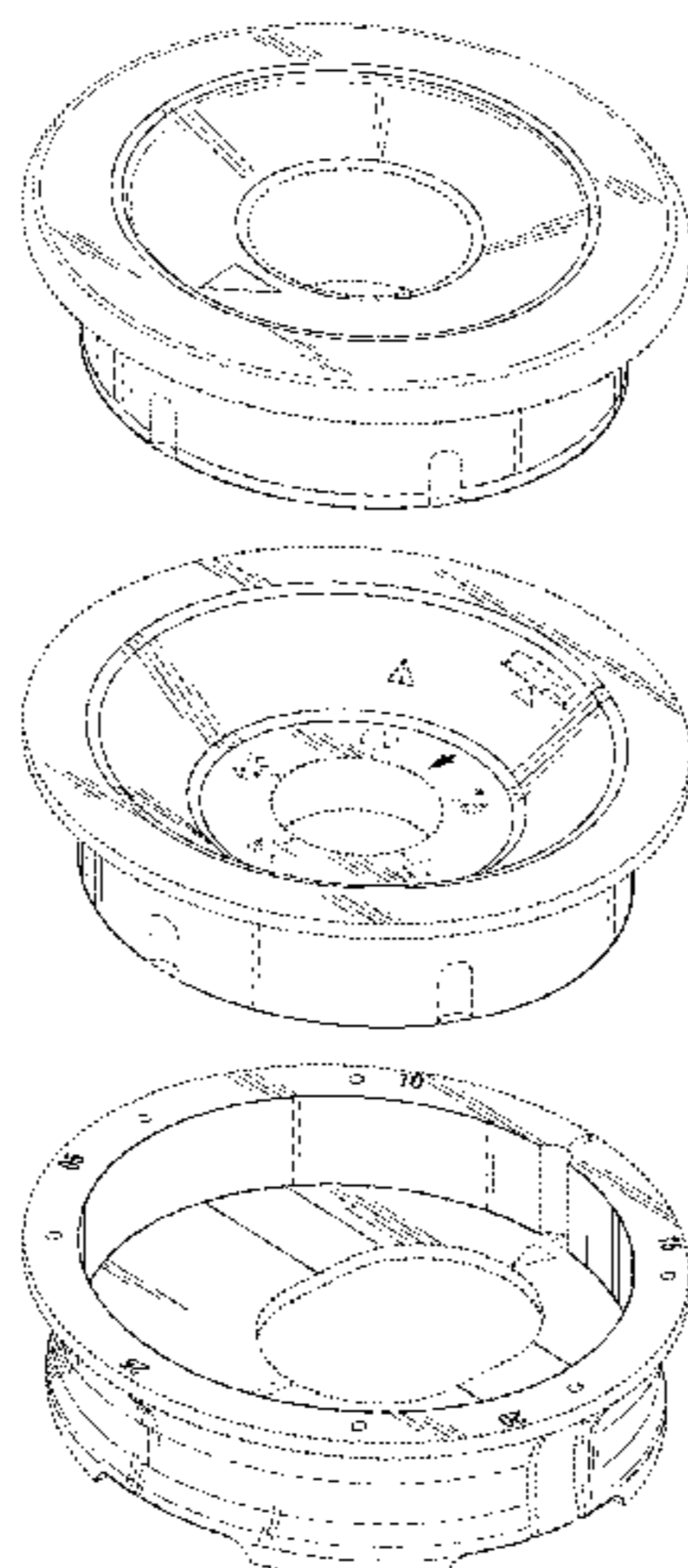
FIG. 13 is a fourth side elevation view of the design for the assembly for locating, indicating, and adjusting a valve; and,

FIG. 14 is a top rear perspective view of the design for the assembly for locating, indicating, and adjusting a valve.

(Continued)

*Primary Examiner* — David G Muller

(Continued)



The even broken lines are for the purpose of illustrating portions of the article and form no part of the claim design. The dot-dash broken lines define bounds of the claim design and form no part thereof.

**1 Claim, 9 Drawing Sheets**

**Related U.S. Application Data**

a continuation of application No. 15/180,662, filed on Jun. 13, 2016, now abandoned, which is a continuation of application No. 14/148,151, filed on Jan. 6, 2014, now Pat. No. 9,364,646, which is a continuation of application No. 09/745,108, filed on Dec. 20, 2000, now Pat. No. 8,622,978, which is a continuation of application No. 09/270,540, filed on Mar. 17, 1999, now abandoned.

(58) **Field of Classification Search**

USPC .... 604/164.01–164.11, 187, 93.01; 600/101, 600/139, 143; 128/200.24, 207.14, 128/207.15

CPC .... A61M 27/006; A61M 25/065; A61M 5/42; A61M 25/0612; A61M 25/00; A61M 39/00; A61M 27/00; A61M 25/0043; A61M 25/0067; A61M 25/0097; A61F 2/958

See application file for complete search history.

(56)

**References Cited**

U.S. PATENT DOCUMENTS

2010/0298645	A1 *	11/2010	Deutch .....	A61D 1/16 600/201
2012/0232462	A1 *	9/2012	Miethke .....	A61M 1/3655 604/9
2016/0361523	A1 *	12/2016	Haughton .....	A61M 25/10185
2017/0325685	A1 *	11/2017	Shachar .....	A61B 5/031
2018/0243542	A1 *	8/2018	Pfleiderer .....	A61M 27/006
2018/0311485	A1 *	11/2018	Sheehy .....	A61B 5/4064
2019/0083763	A1 *	3/2019	Boden, Jr .....	A61M 27/006
2019/0350622	A1 *	11/2019	Abou El Kheir .....	A61B 17/320016
2019/0388660	A1 *	12/2019	Negre .....	A61M 27/006
2020/0038126	A1 *	2/2020	Cau .....	A61B 34/30
2020/0375745	A1 *	12/2020	Sampath .....	A61N 1/37514

\* cited by examiner

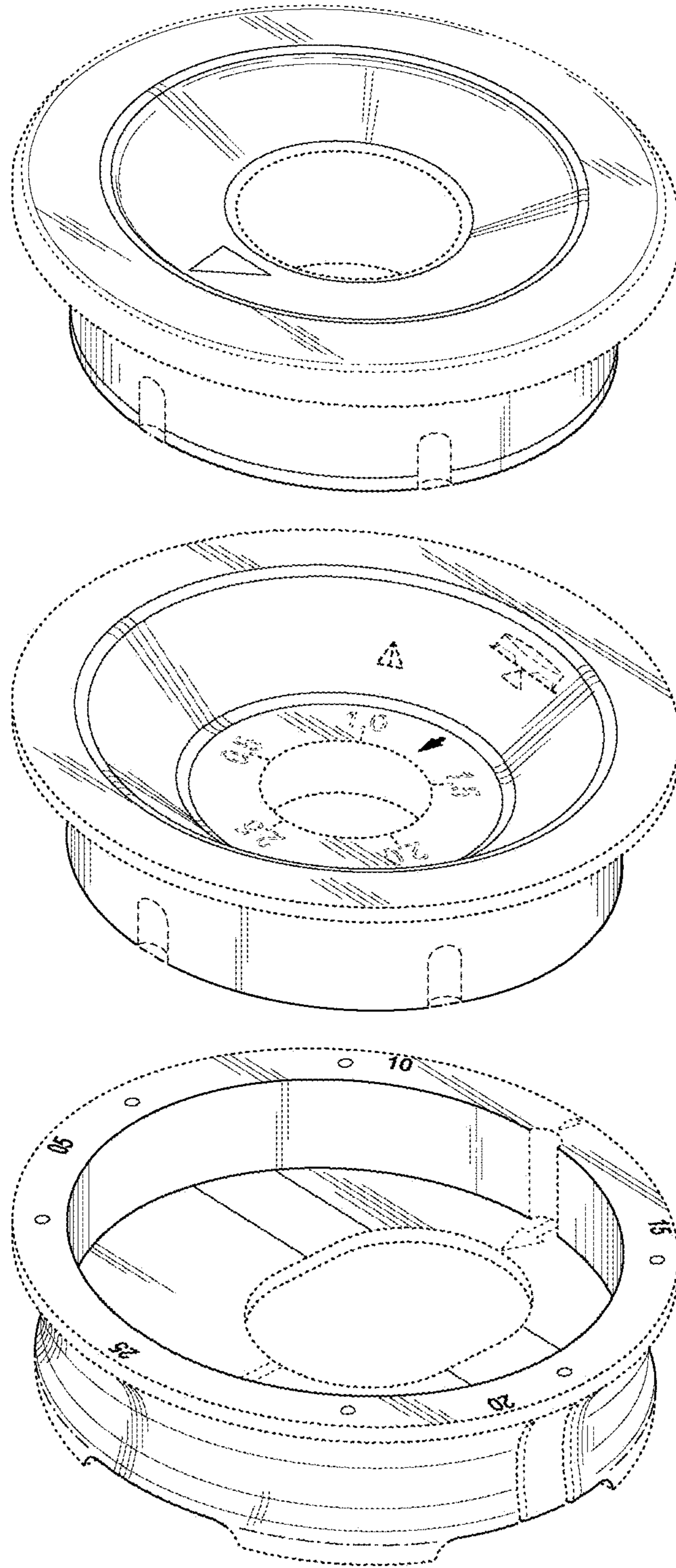


FIG. 1

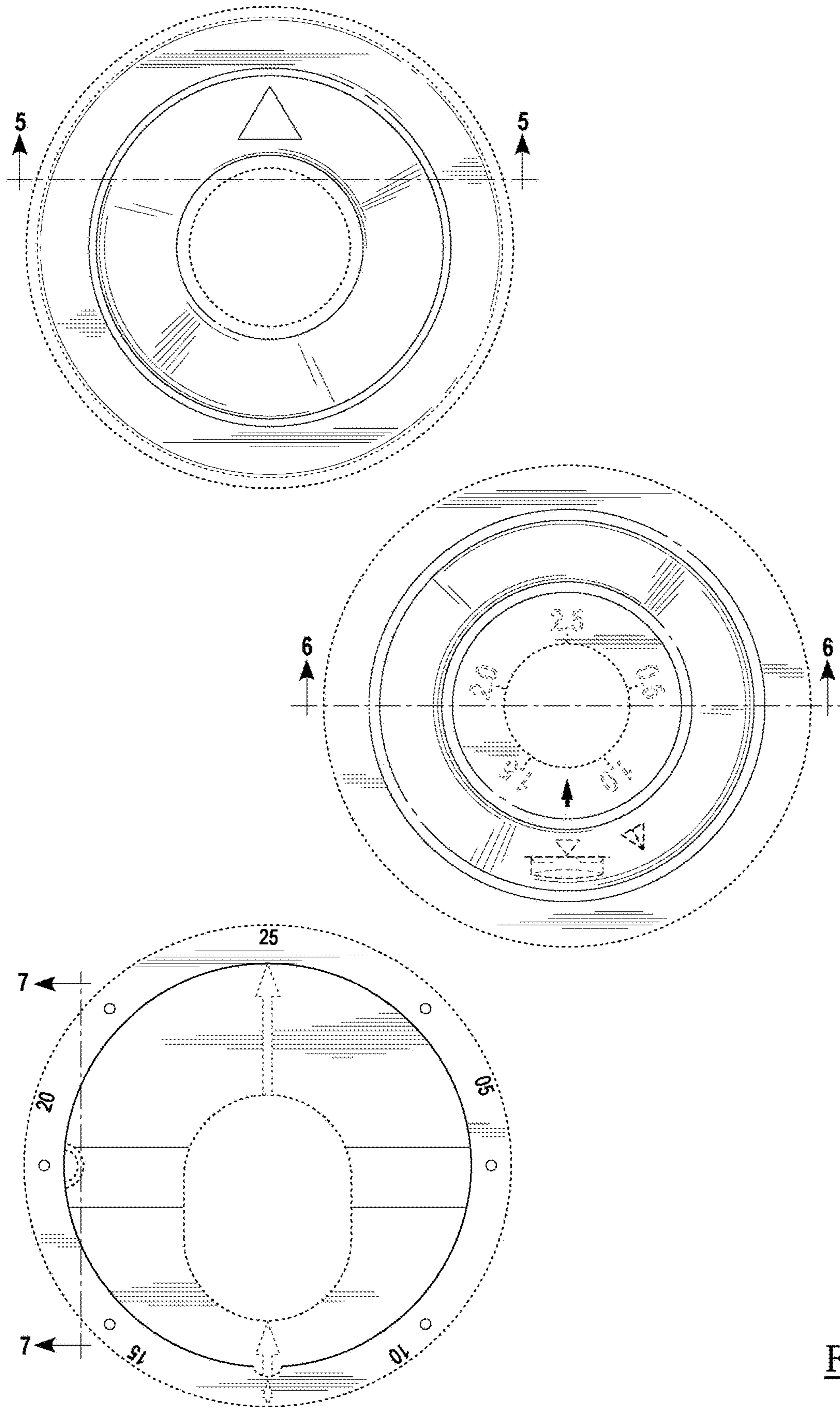


FIG. 2

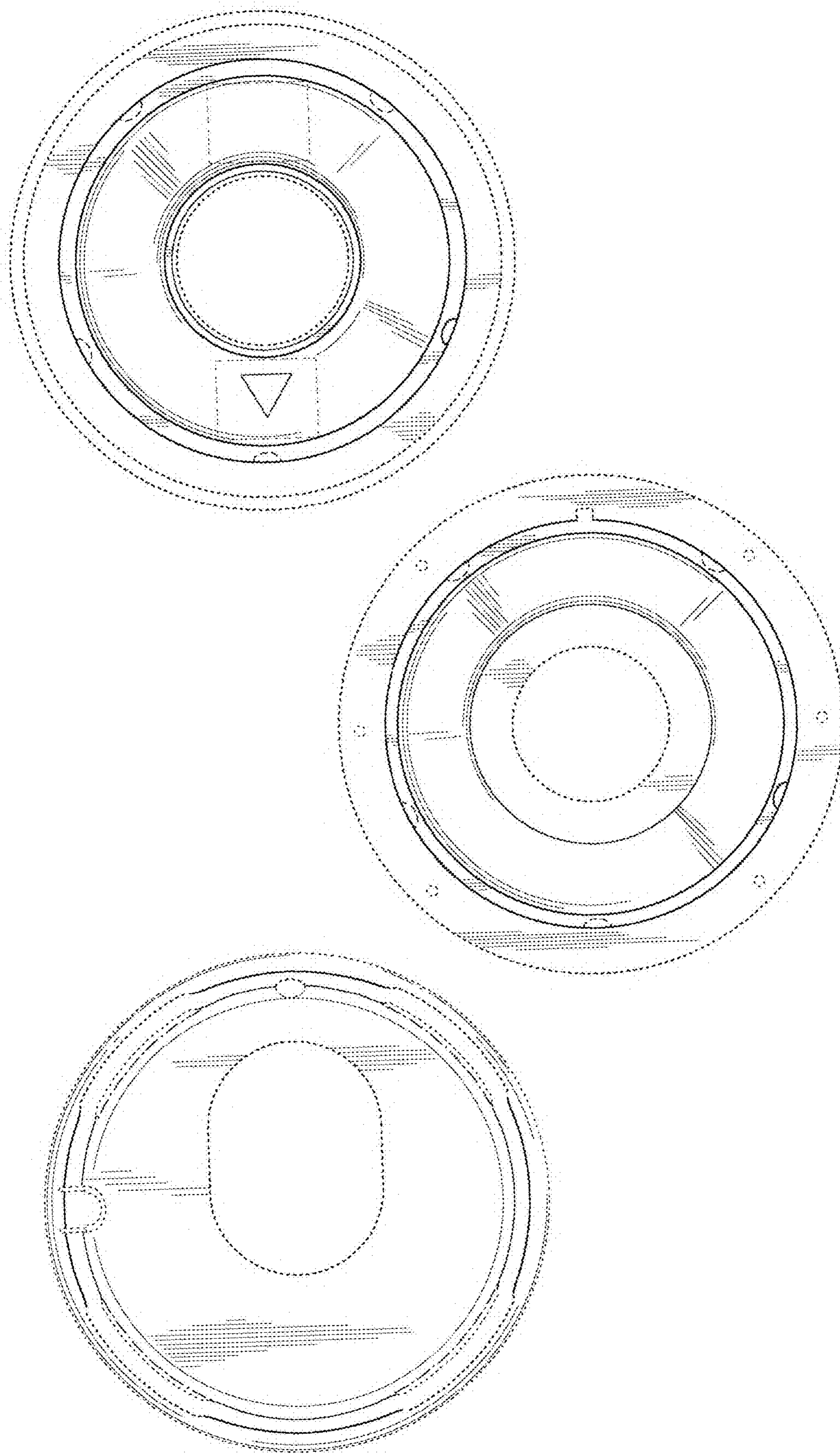


FIG. 3

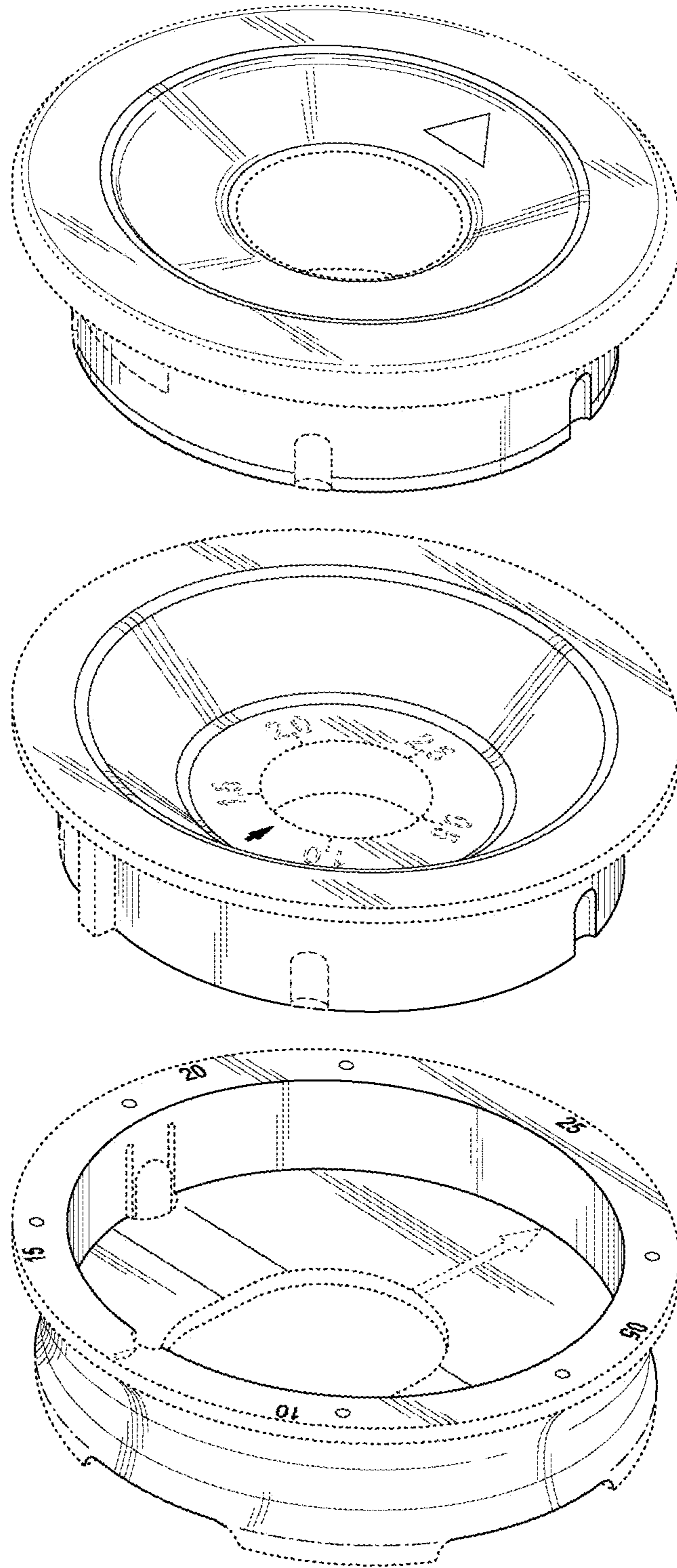


FIG. 4

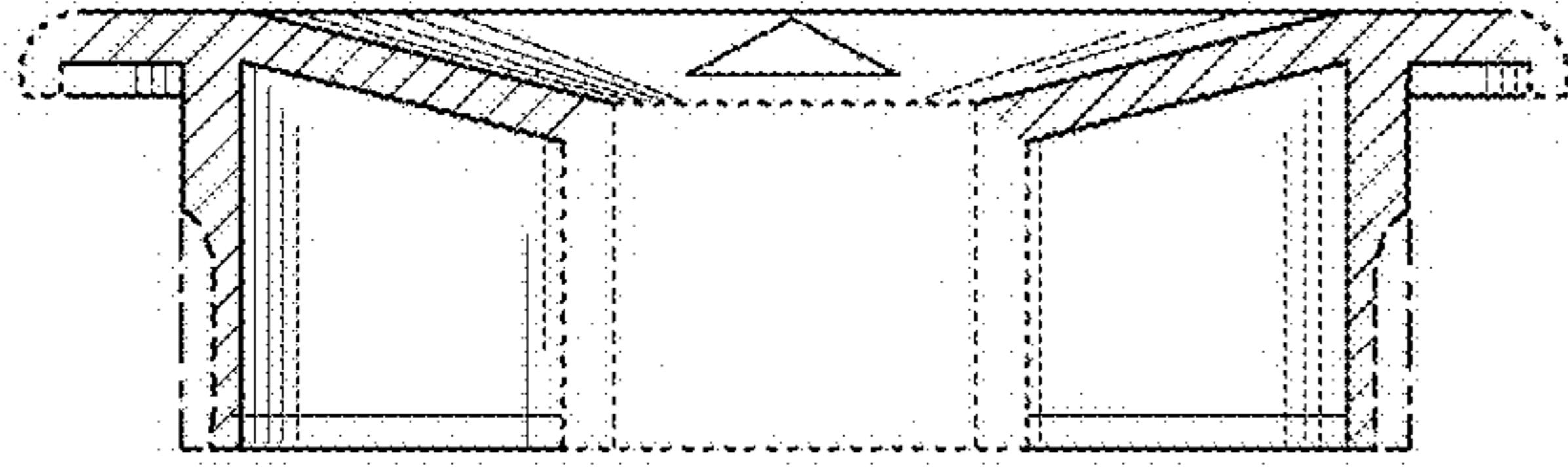


FIG. 5

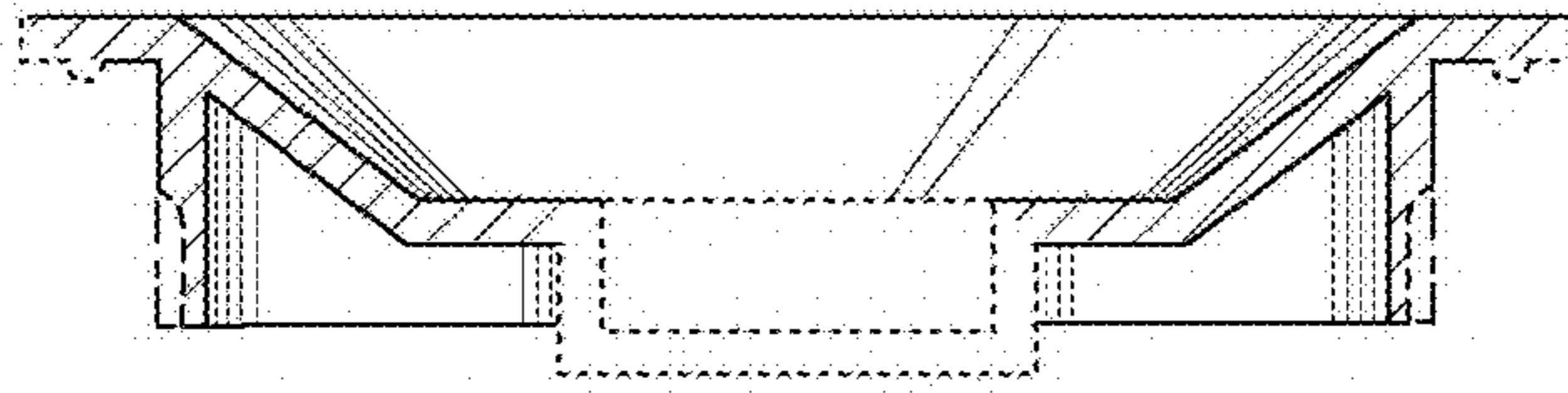


FIG. 6

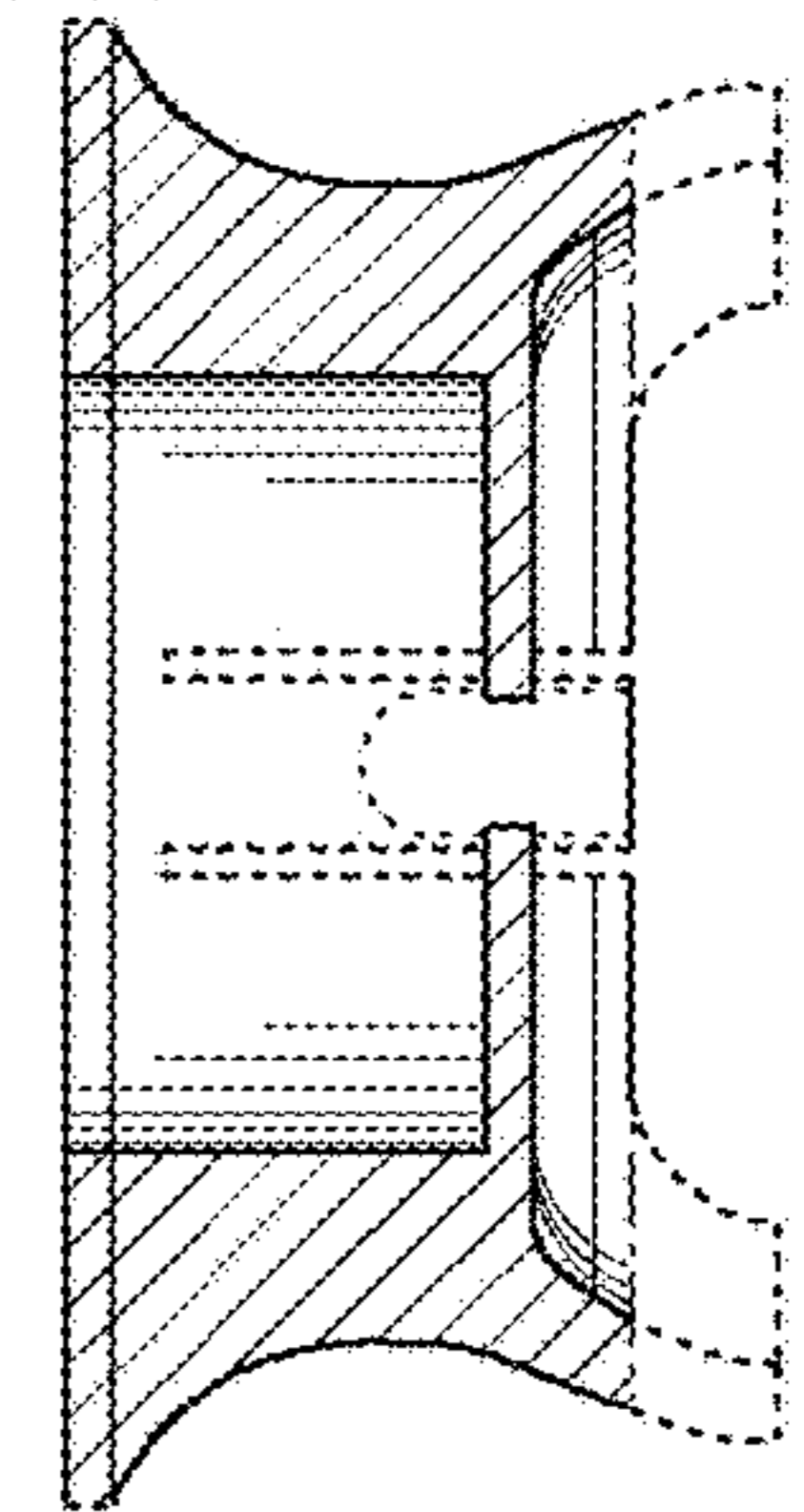


FIG. 7

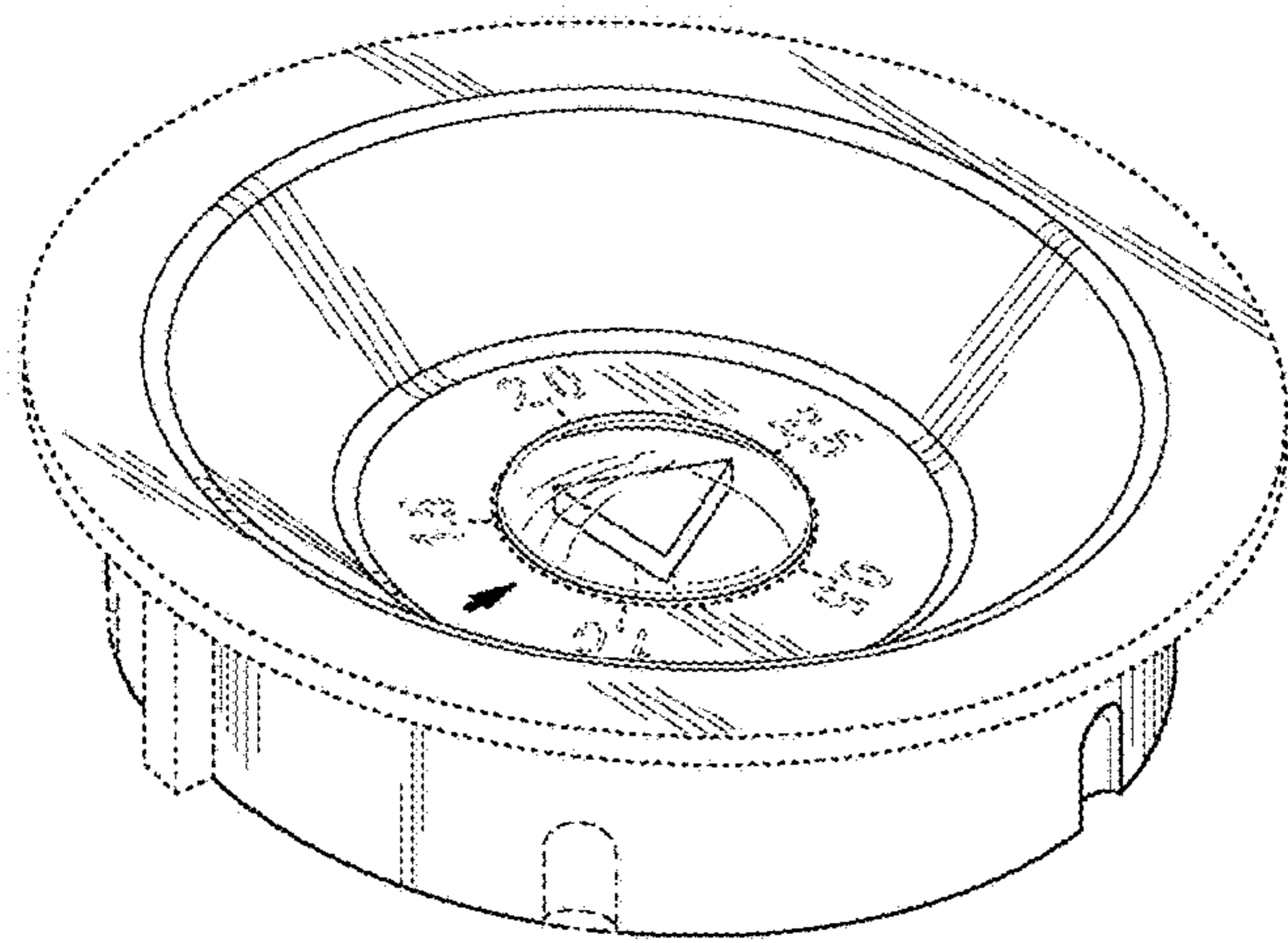


FIG. 8

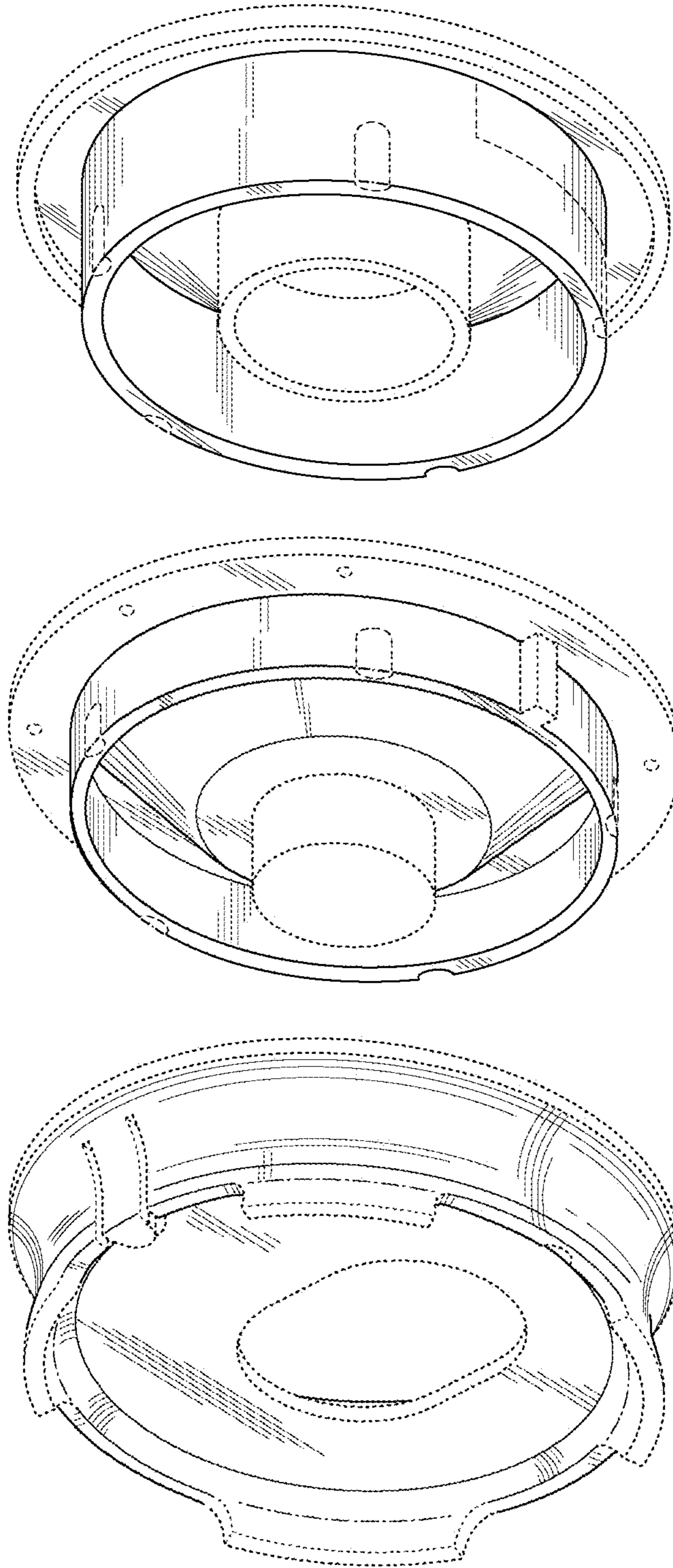


FIG. 9



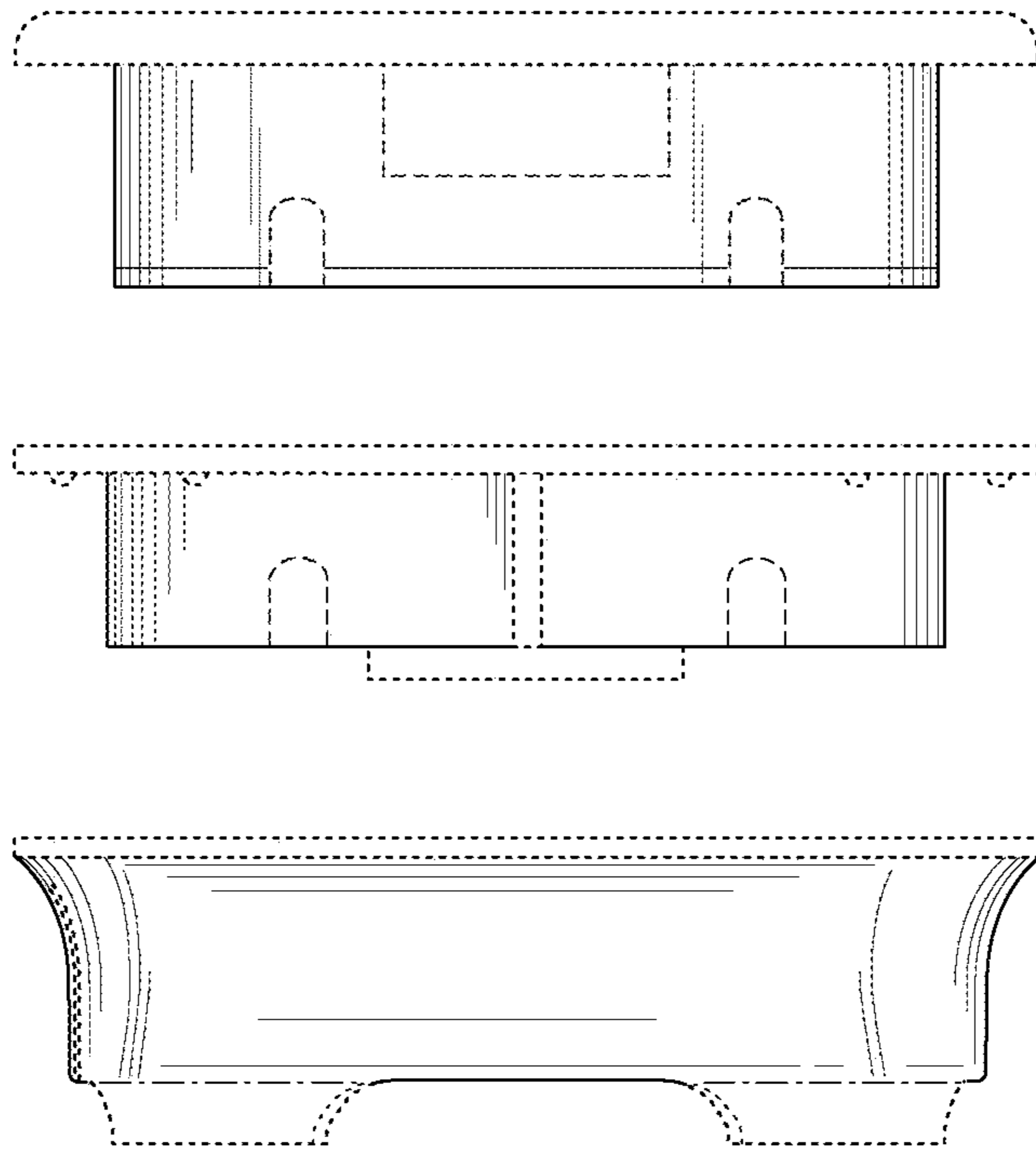


FIG. 10

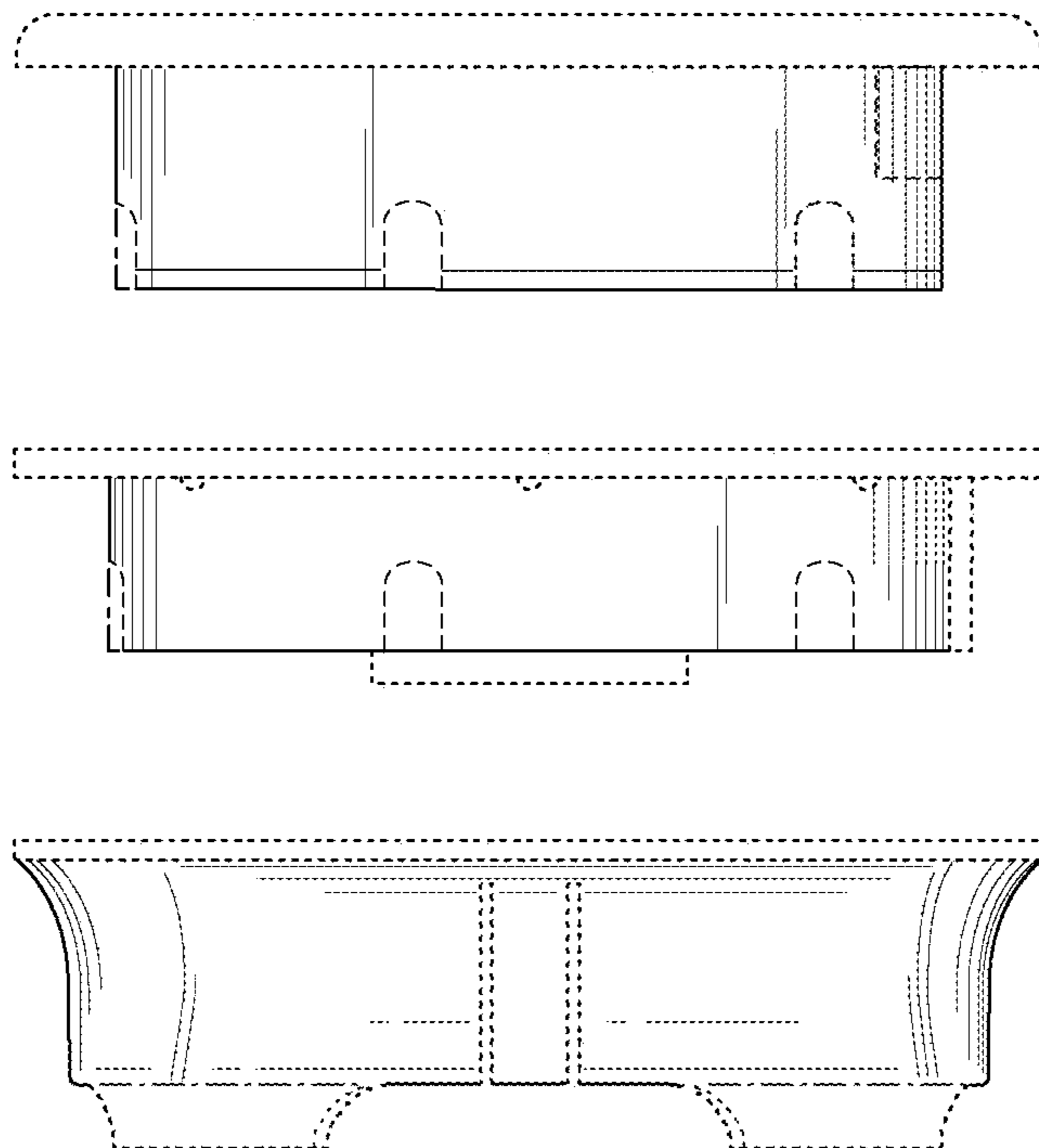


FIG. 11

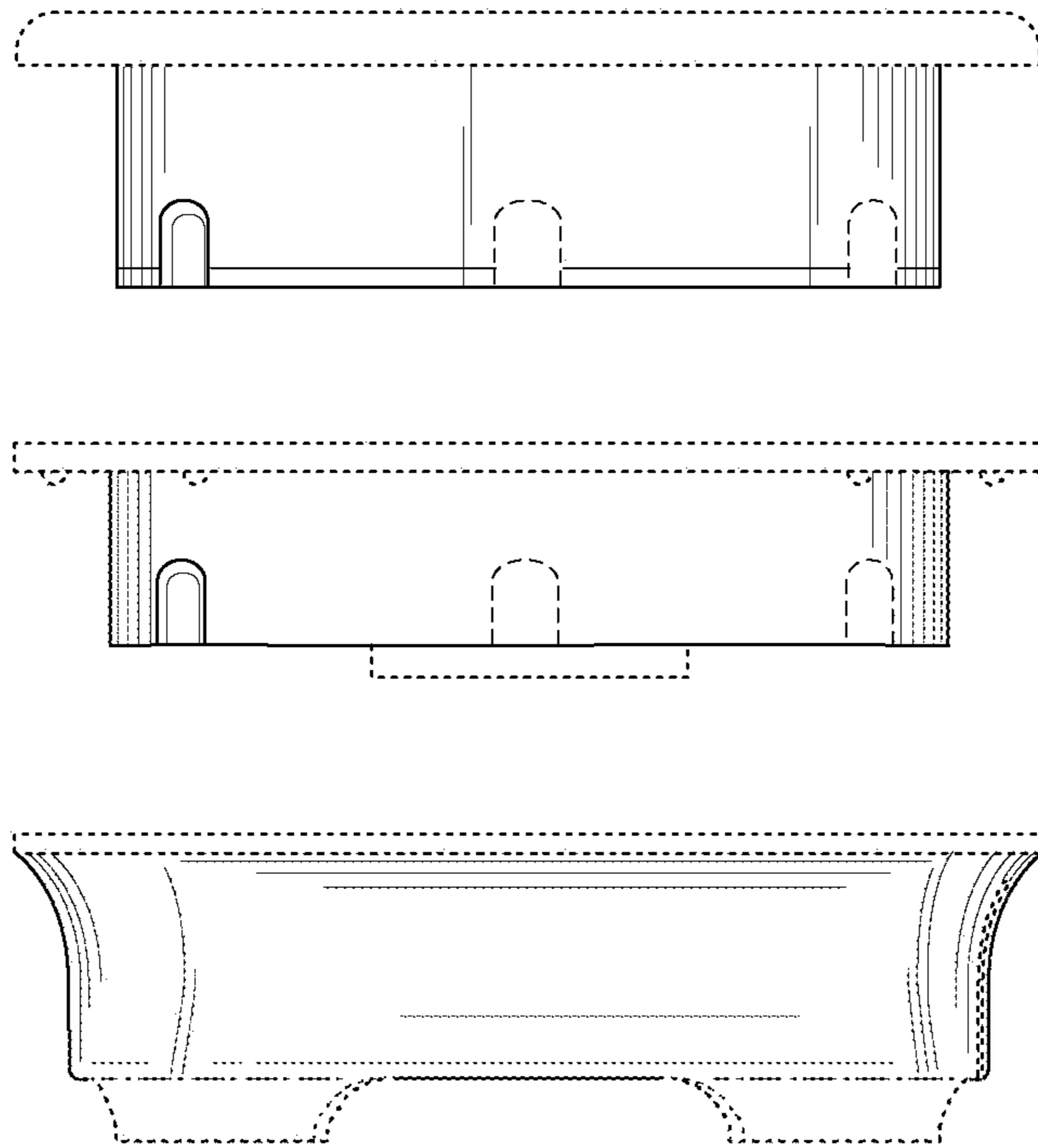


FIG. 12

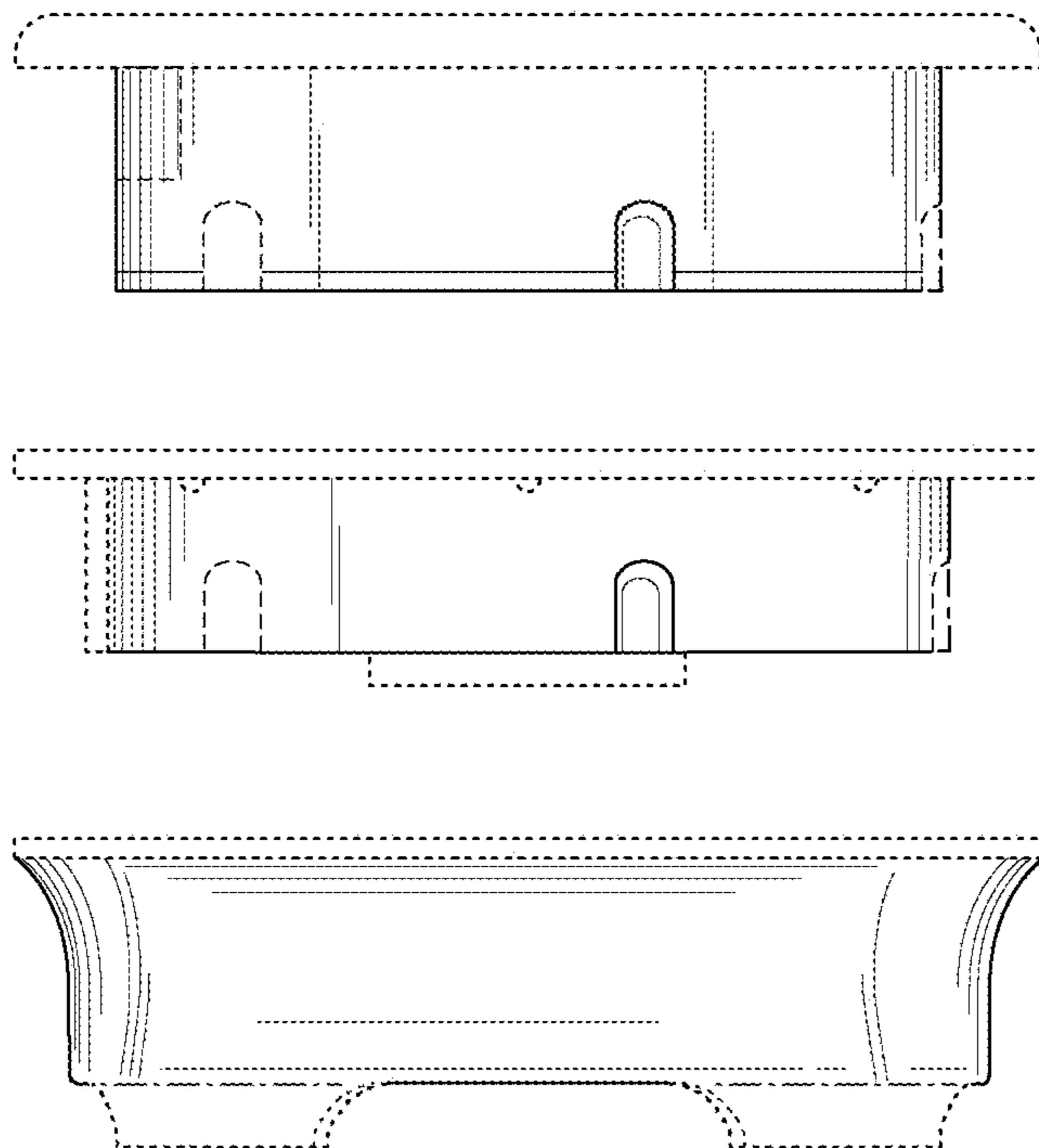


FIG. 13

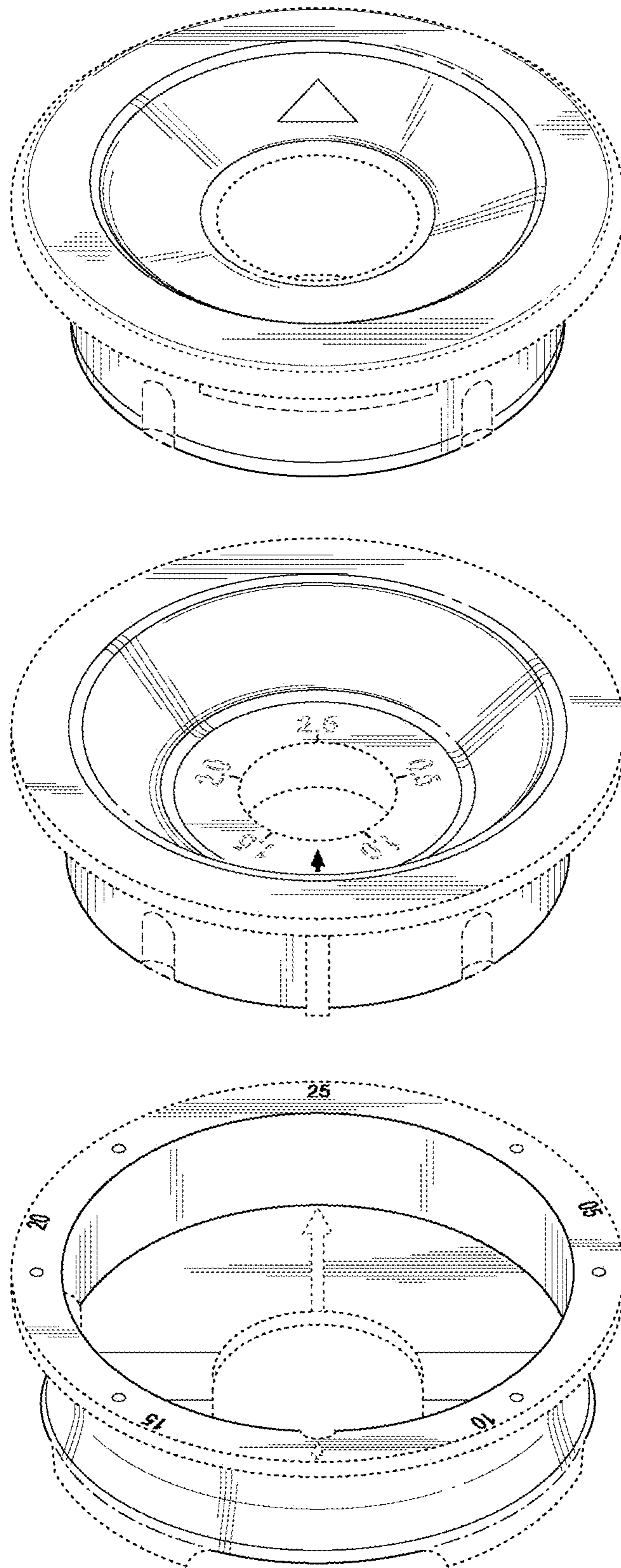


FIG. 14

UNITED STATES PATENT AND TRADEMARK OFFICE  
**CERTIFICATE OF CORRECTION**

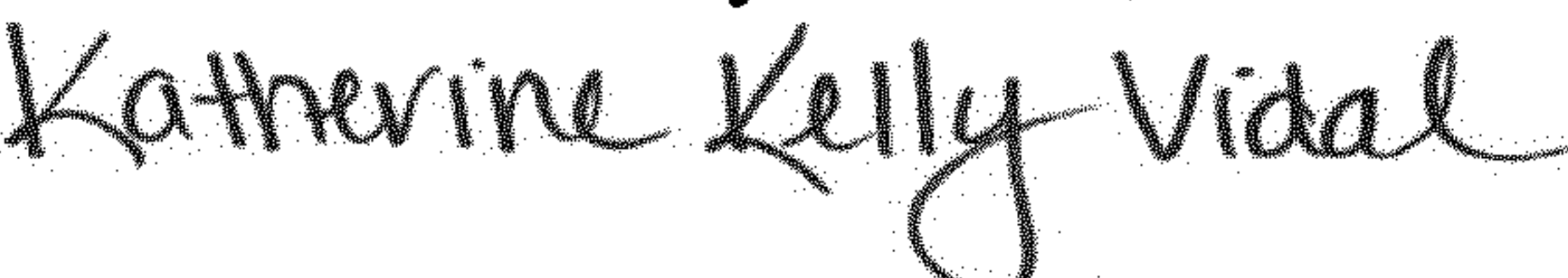
PATENT NO. : D944,393 S  
APPLICATION NO. : 29/794598  
DATED : February 22, 2022  
INVENTOR(S) : Bertrand et al.

Page 1 of 1

It is certified that error appears in the above-identified patent and that said Letters Patent is hereby corrected as shown below:

On the Title Page

In the Description Column 2, Line 4, After “design for”, delete “of”

Signed and Sealed this  
Fourteenth Day of June, 2022  
  
Katherine Kelly Vidal  
*Director of the United States Patent and Trademark Office*