



US00D944391S

(12) **United States Design Patent**  
**Martin**

(10) **Patent No.:** **US D944,391 S**

(45) **Date of Patent:** **\*\* Feb. 22, 2022**

- (54) **NASAL WASH BOTTLE**
- (71) Applicant: **Gurunanda LLC**, Buena Park, CA (US)
- (72) Inventor: **Mark Martin**, Monrovia, CA (US)
- (73) Assignee: **GURUNANDA, LLC**, Buena Park, CA (US)
- (\*\*) Term: **15 Years**
- (21) Appl. No.: **29/733,419**
- (22) Filed: **May 1, 2020**
- (51) **LOC (13) Cl.** ..... **24-02**
- (52) **U.S. Cl.**  
USPC ..... **D24/115**
- (58) **Field of Classification Search**  
USPC ..... D24/115, 117; D9/723, 724, 543, 504,  
D9/523, 526  
CPC ..... A61M 3/0262; A61M 3/02; A61M  
2210/0618  
See application file for complete search history.

- D897,525 S \* 9/2020 Zhang ..... A61M 1/741  
D24/115
- 10,888,673 B2 \* 1/2021 Trevino ..... A61M 11/008
- 11,116,886 B2 \* 9/2021 Abate ..... A61M 11/02

**OTHER PUBLICATIONS**

Equate-Comfort-Flow-Neti-Pot-Sinus-Wash-System (found on Google Oct. 6, 2021, Earliest review date Sep. 11, 2020) <https://www.walmart.com/ip/Equate-Comfort-Flow-Neti-Pot-Sinus-Wash-System-Blue> (Year: 2021).\*

\* cited by examiner

*Primary Examiner* — David G Muller

(74) *Attorney, Agent, or Firm* — Snell & Wilmer LLP

(57) **CLAIM**

I claim the ornamental design for a nasal wash bottle, as shown and described.

**DESCRIPTION**

FIG. 1 is a front right top perspective view of the nasal wash bottle;  
 FIG. 2 is a rear right bottom perspective view of the nasal wash bottle;  
 FIG. 3 is a front view of the nasal wash bottle;  
 FIG. 4 is a rear view of the nasal wash bottle;  
 FIG. 5 is a left side view of the nasal wash bottle;  
 FIG. 6 is a right side view of the nasal wash bottle, which is a mirror image or the left side of the nasal wash bottle;  
 FIG. 7 is a top view of the nasal wash bottle; and,  
 FIG. 8 is a bottom view of the nasal wash bottle.

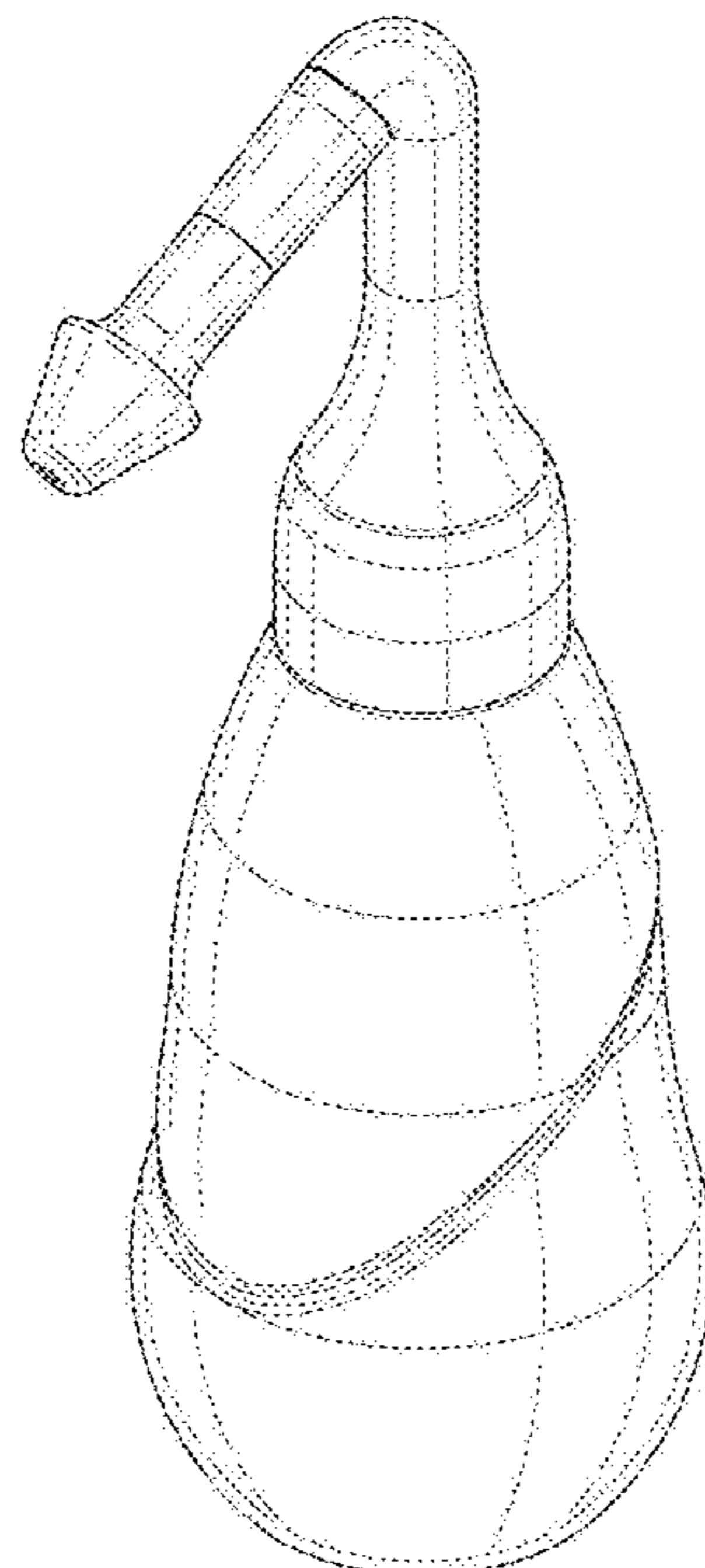
The broken lines in the Figures depict portions of the nasal wash bottle that form no part of the claimed design. The unshaded surfaces bounded by broken lines form no part of the claimed design.

(56) **References Cited**

**U.S. PATENT DOCUMENTS**

- D444,227 S \* 6/2001 Hennemann ..... D24/115
- D627,458 S \* 11/2010 Bisson ..... D24/115
- D653,953 S \* 2/2012 Wakeman ..... D9/526
- D675,939 S \* 2/2013 Van Gogh ..... D9/724
- D747,973 S \* 1/2016 Kerr ..... D9/686
- D768,503 S \* 10/2016 Kerr ..... D9/686
- D772,073 S \* 11/2016 Kerr ..... D9/686
- D775,724 S \* 1/2017 Pagliacci ..... D24/115
- 10,076,602 B2 \* 9/2018 Gerber ..... B05B 9/0811
- 10,525,240 B1 \* 1/2020 Chandler ..... A61M 31/00

**1 Claim, 8 Drawing Sheets**



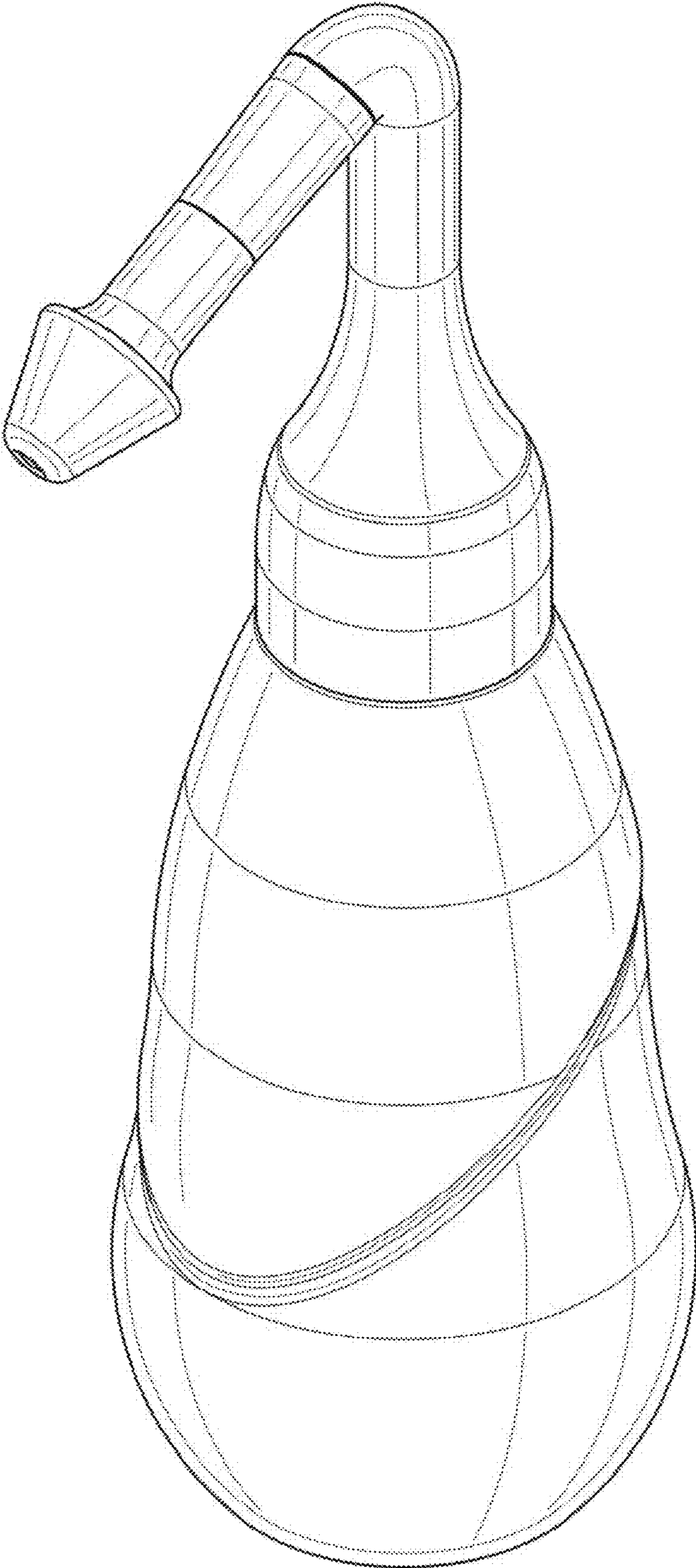


FIG. 1

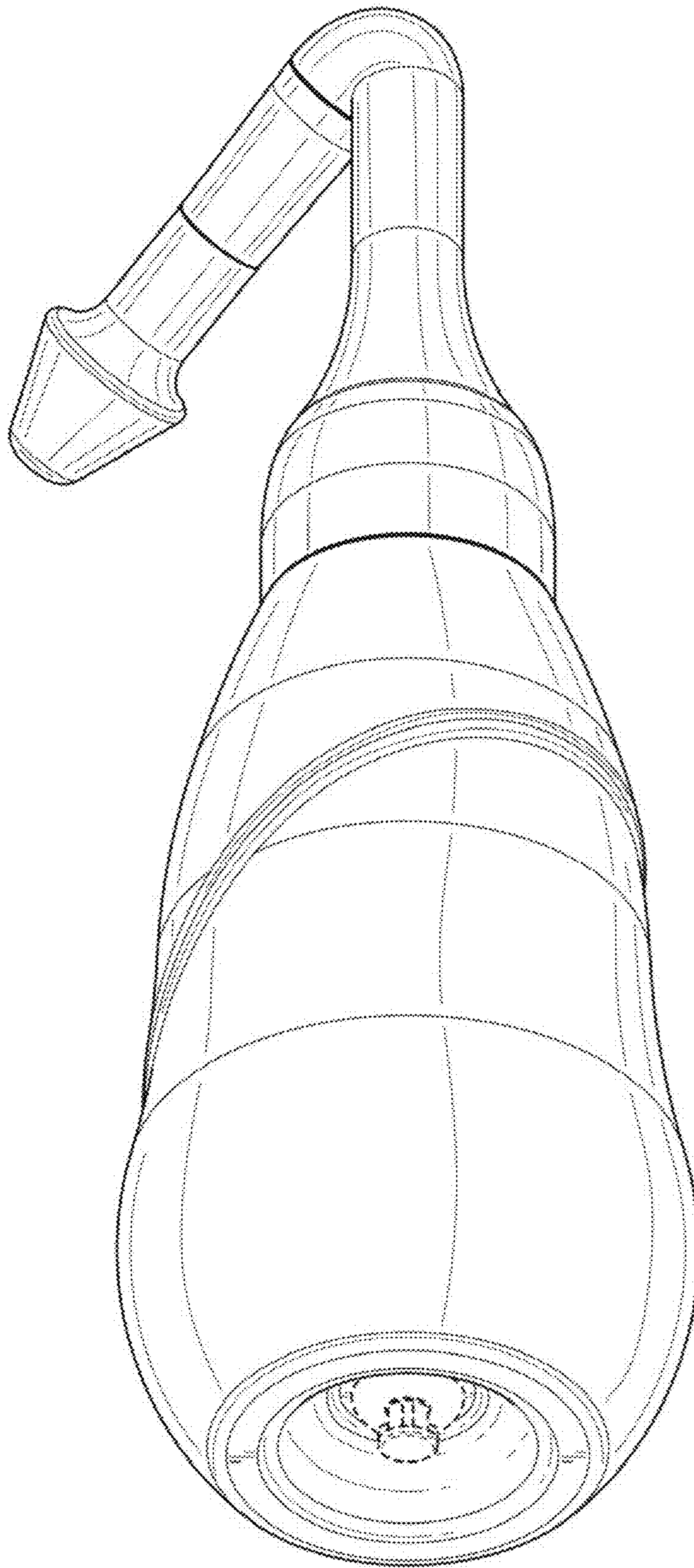


FIG. 2

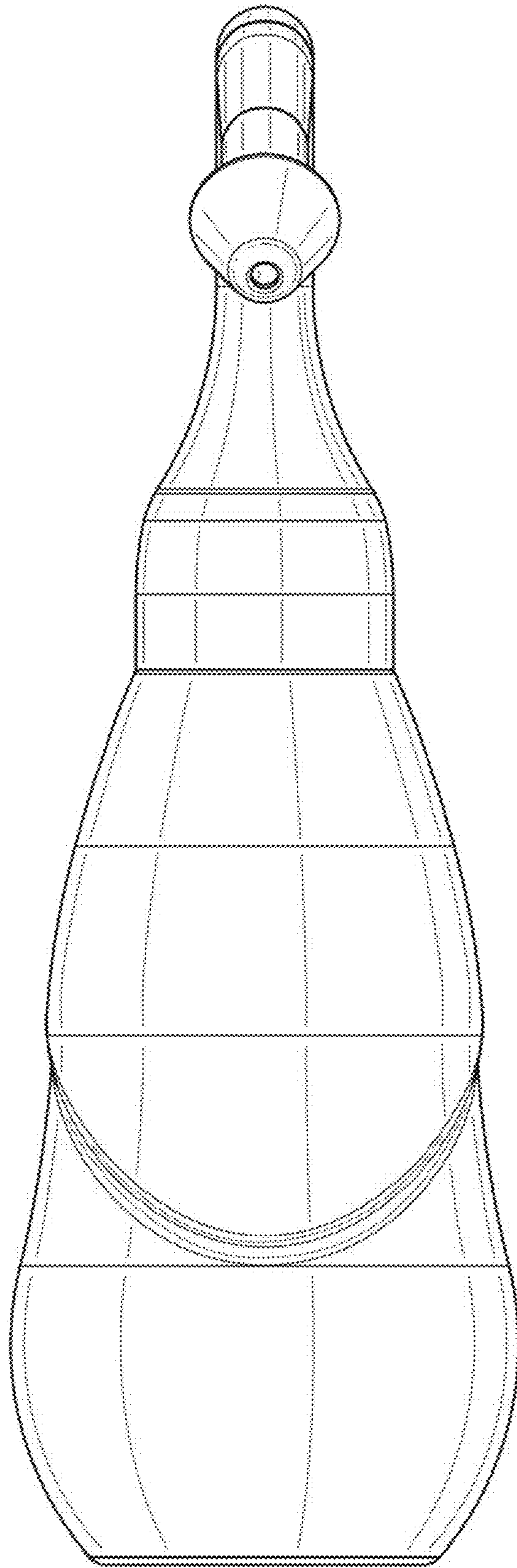


FIG. 3

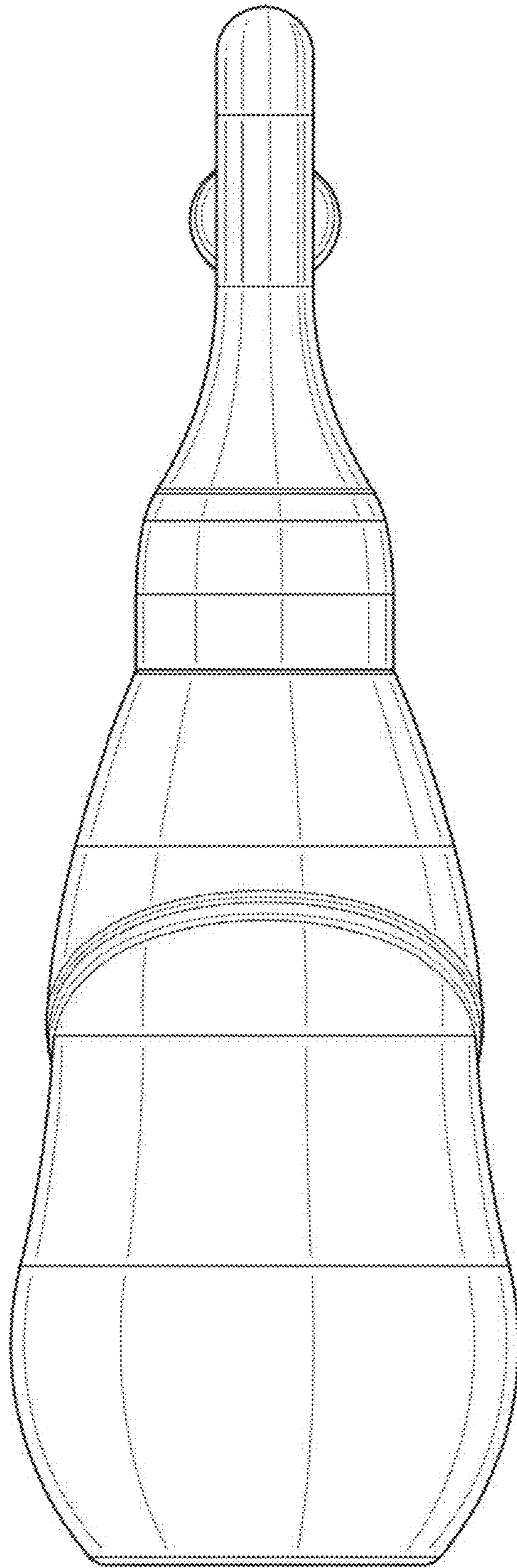


FIG. 4

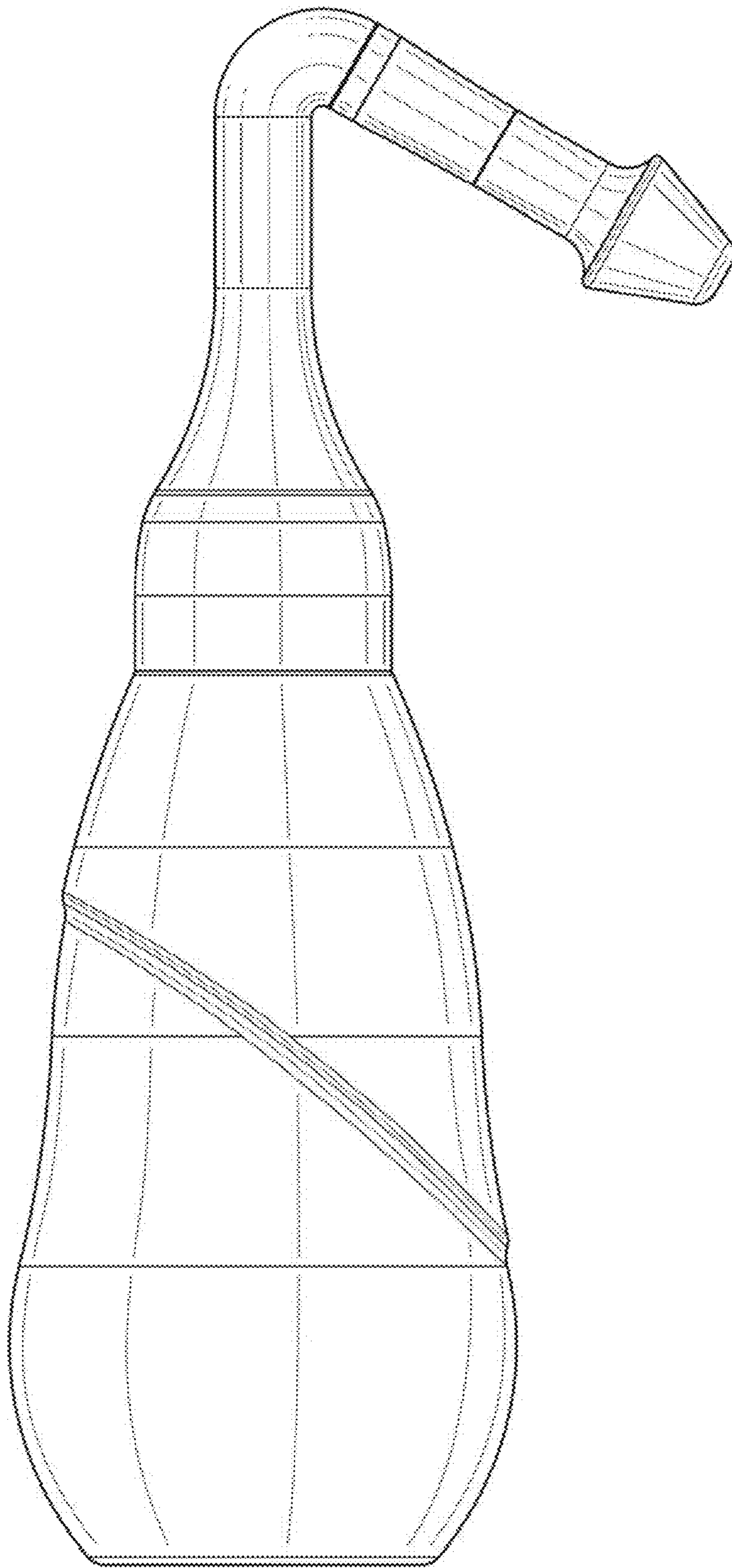


FIG. 5

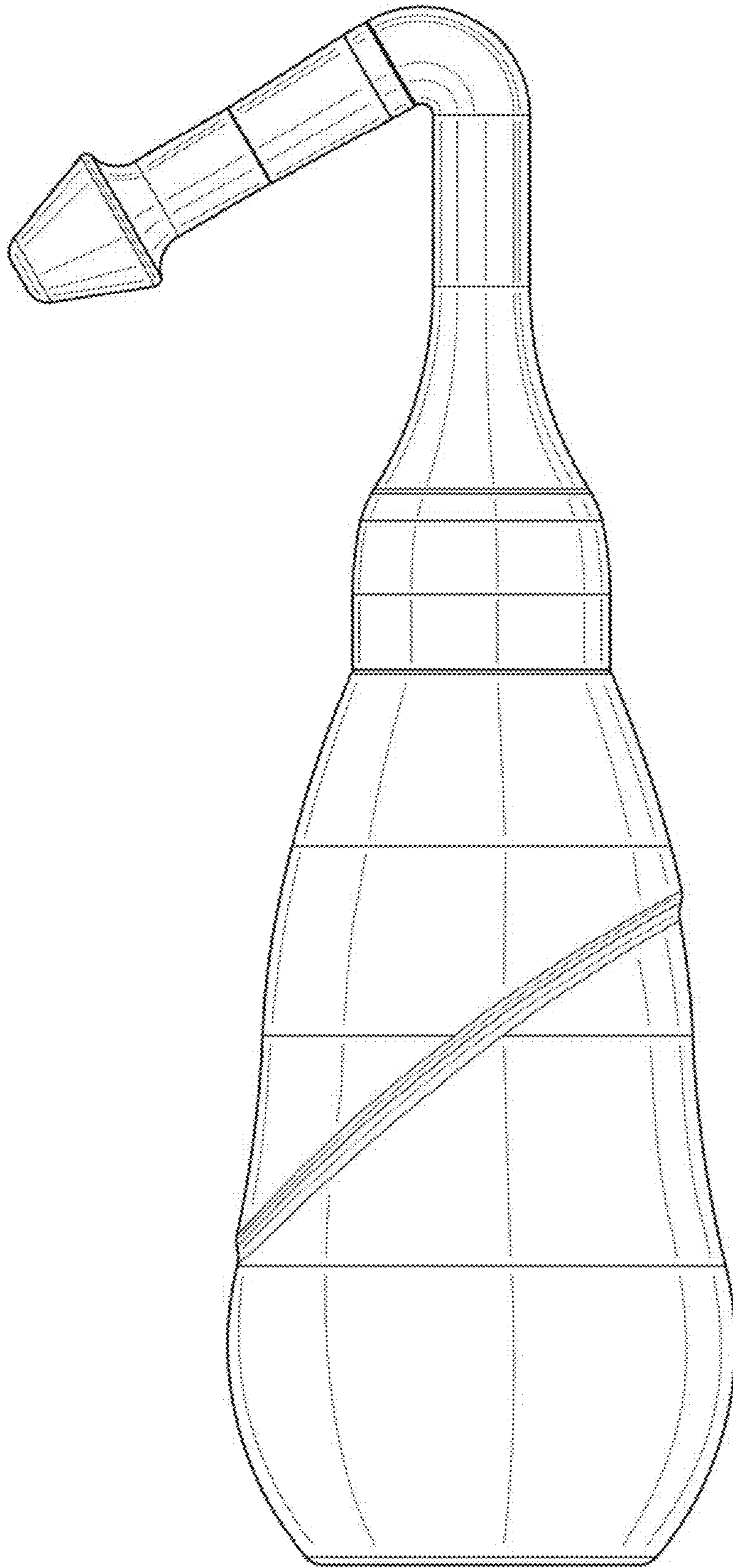


FIG. 6

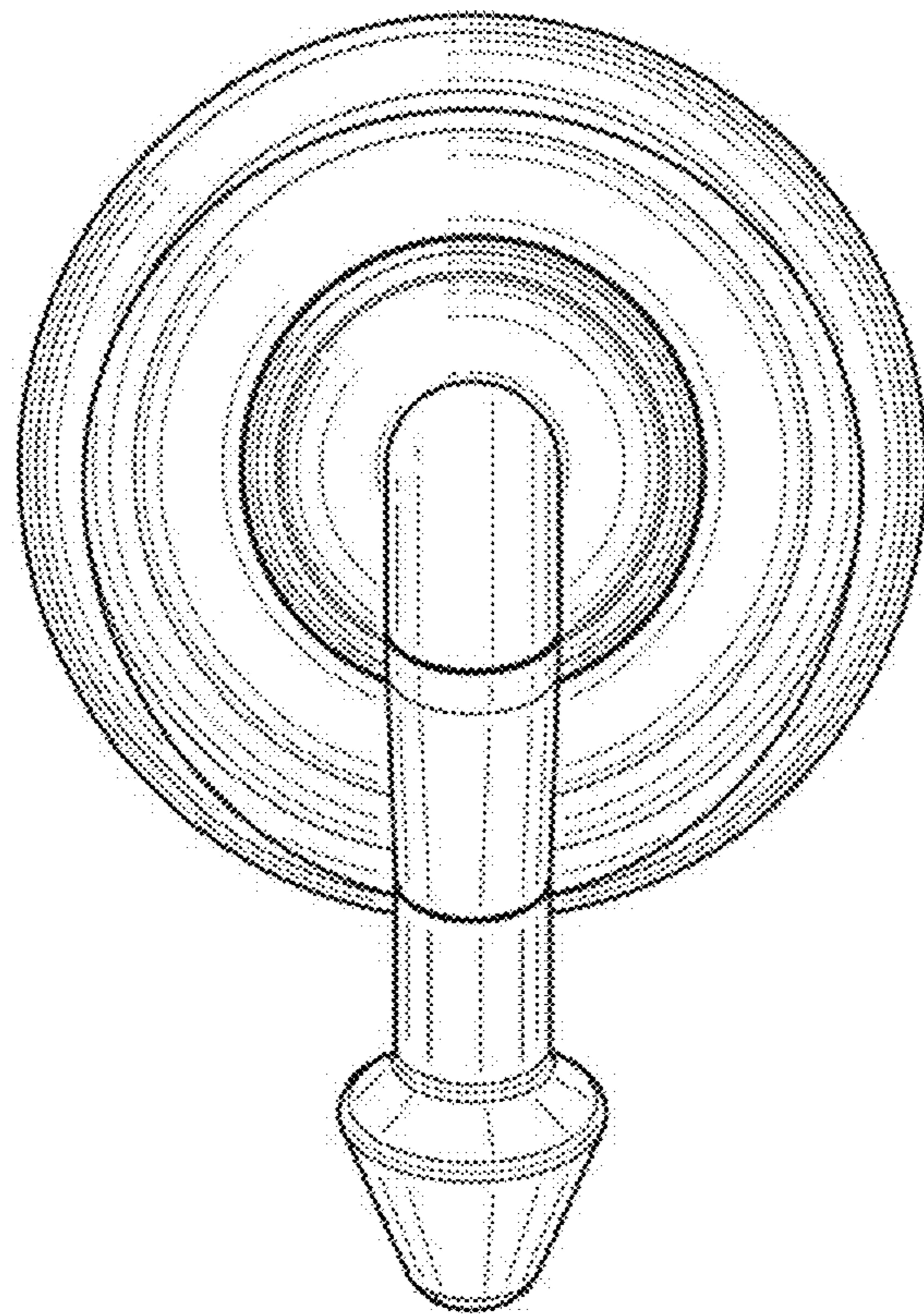


FIG. 7



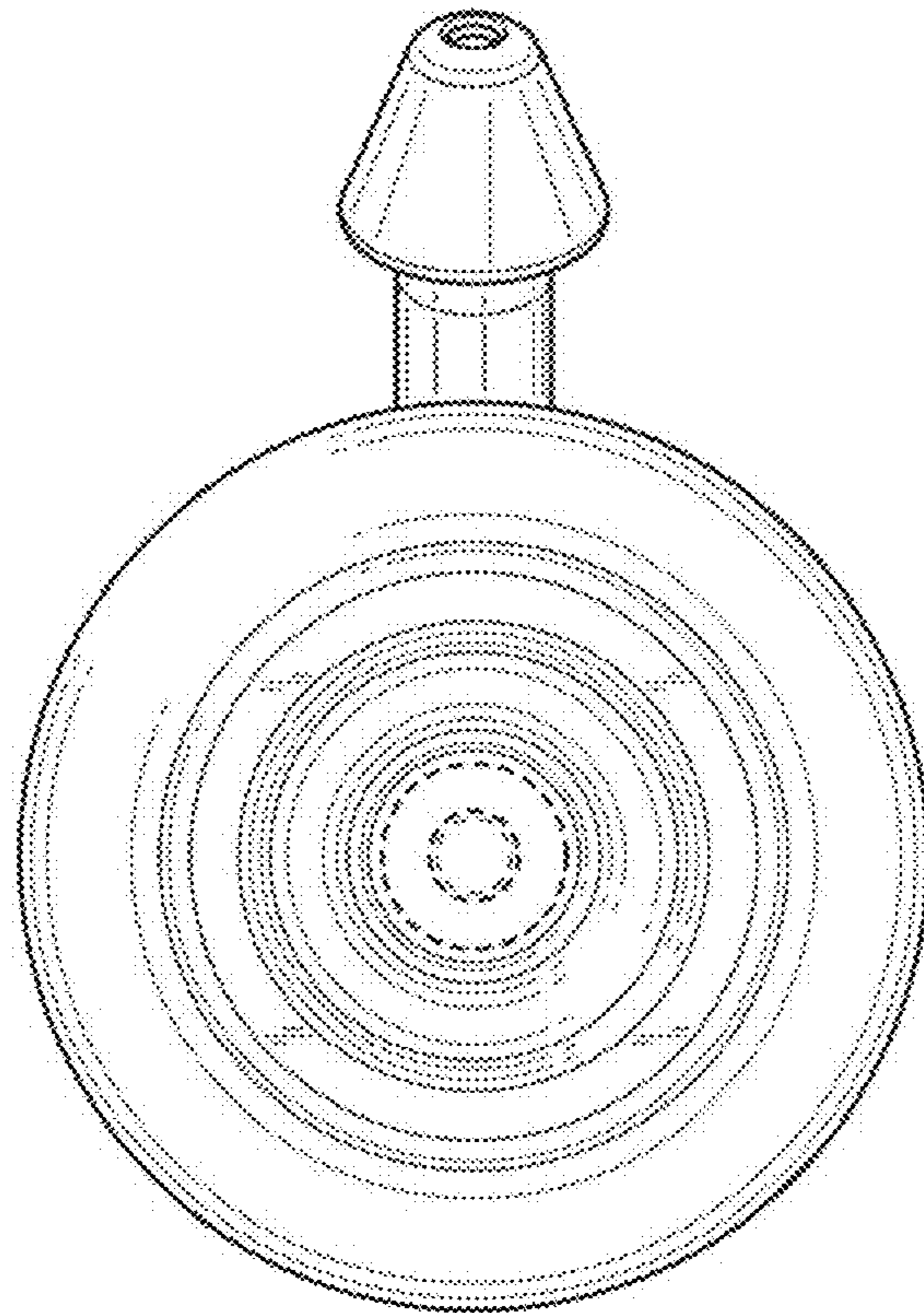


FIG. 8