



US00D944389S

(12) **United States Design Patent**
Ramadhan

(10) **Patent No.:** **US D944,389 S**

(45) **Date of Patent:** **** Feb. 22, 2022**

(54) **HEADSET WITH CANNULA**

(71) Applicant: **Abu Ramadhan**, Salamanca, NY (US)

(72) Inventor: **Abu Ramadhan**, Salamanca, NY (US)

(**) Term: **15 Years**

(21) Appl. No.: **29/712,831**

(22) Filed: **Nov. 12, 2019**

(51) **LOC (13) Cl.** **24-02**

(52) **U.S. Cl.**

USPC **D24/112**

(58) **Field of Classification Search**

USPC D24/112-114, 108, 130, 127, 133, 186;
D14/205, 206; 606/181, 185; 604/264,
604/523-528, 272, 164.01-164.11, 187,
604/93.01; 600/101, 139, 143;
128/200.24, 207.14, 207.15, 200.28

CPC A61M 16/06; A61M 25/065; A61M 5/42;
A61M 25/0612; A61M 25/00; A61M
39/00; A61M 27/00; A61M 25/0043;
A61M 25/0067; A61M 25/0097; H04R
25/00; H04R 19/04; A61F 2/958

See application file for complete search history.

(56) **References Cited**

U.S. PATENT DOCUMENTS

6,247,470 B1 * 6/2001 Ketchedjian A61M 16/0666
128/200.28
6,595,207 B1 * 7/2003 McDonald A61M 16/06
128/200.24

D706,745 S * 6/2014 Nakagawa H04R 1/1066
D14/205
D822,637 S * 7/2018 Glezerman D14/206
D830,339 S * 10/2018 Yan D14/206
D867,330 S * 11/2019 Lindof D14/206
D867,331 S * 11/2019 Lindof D14/206
D874,431 S * 2/2020 Williamson D14/206
D878,332 S * 3/2020 Tsubone D14/206
D912,644 S * 3/2021 Liu D14/205
D913,263 S * 3/2021 Yang D14/206
D914,634 S * 3/2021 Kelley D14/205
D915,345 S * 4/2021 Zhang D14/205

* cited by examiner

Primary Examiner — David G Muller

(74) *Attorney, Agent, or Firm* — Sanchelima &
Associates, P.A.; Christian Sanchelima; Jesus Sanchelima

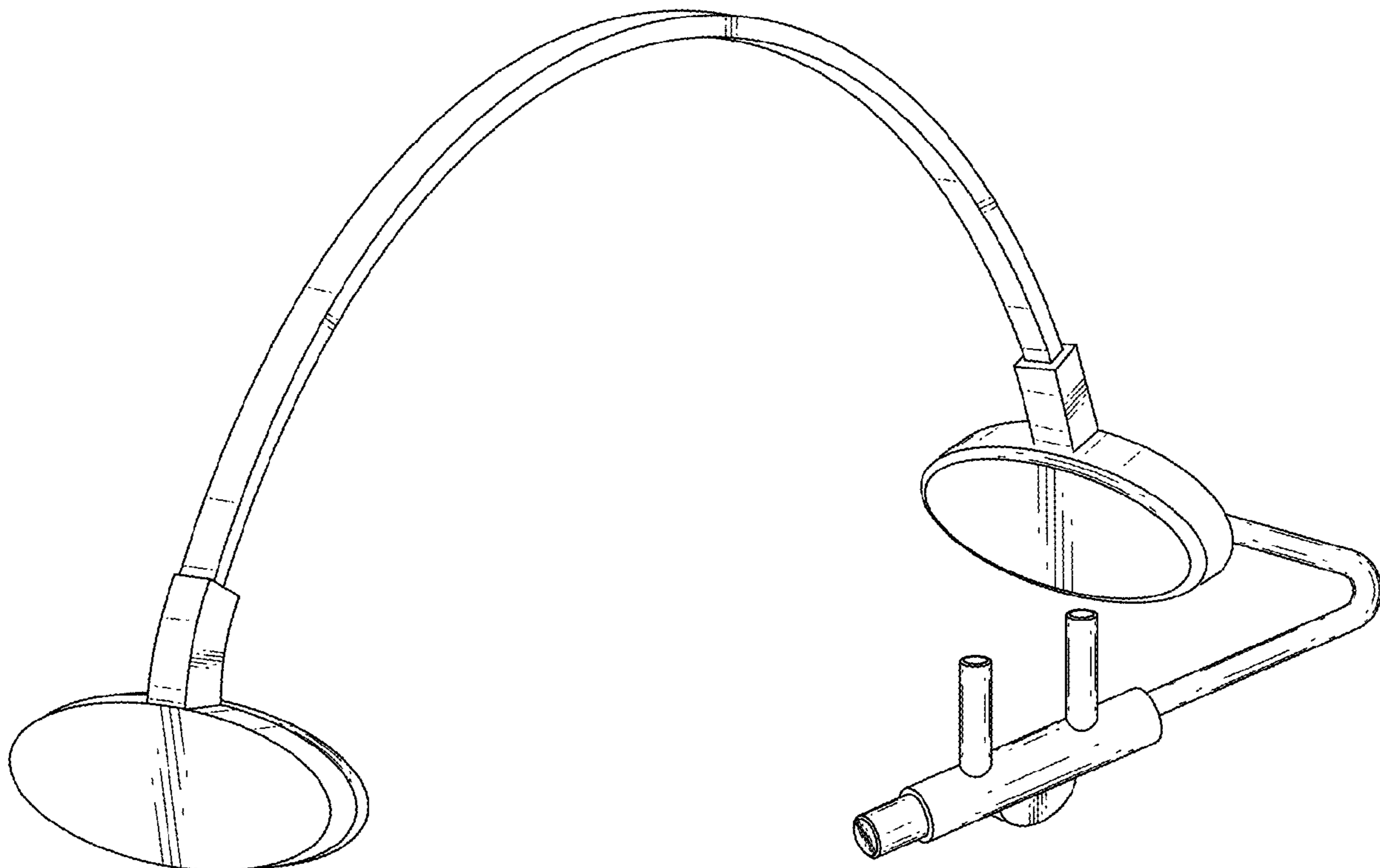
(57) **CLAIM**

The ornamental design for headset with cannula, as shown and described.

DESCRIPTION

FIG. 1 is an isometric view of a headset with cannula showing my new design;
FIG. 2 is another isometric view thereof;
FIG. 3 is a front elevation view thereof;
FIG. 4 is a rear elevation view thereof;
FIG. 5 is a left side elevation view thereof;
FIG. 6 is a right side elevation view thereof; and
FIG. 7 is a top plan view thereof; and,
FIG. 8 is a bottom plan view thereof.

1 Claim, 8 Drawing Sheets



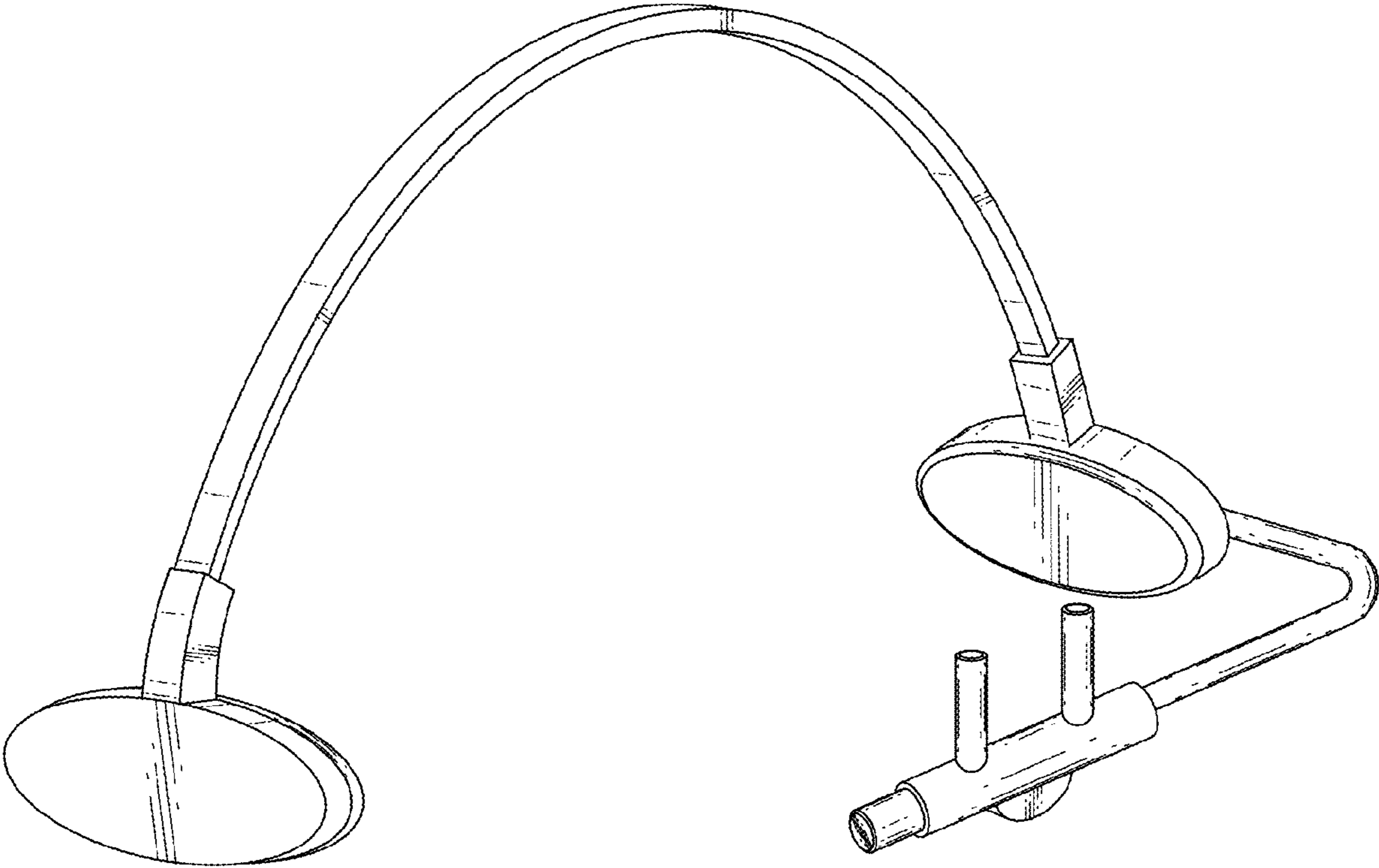


FIG. 1

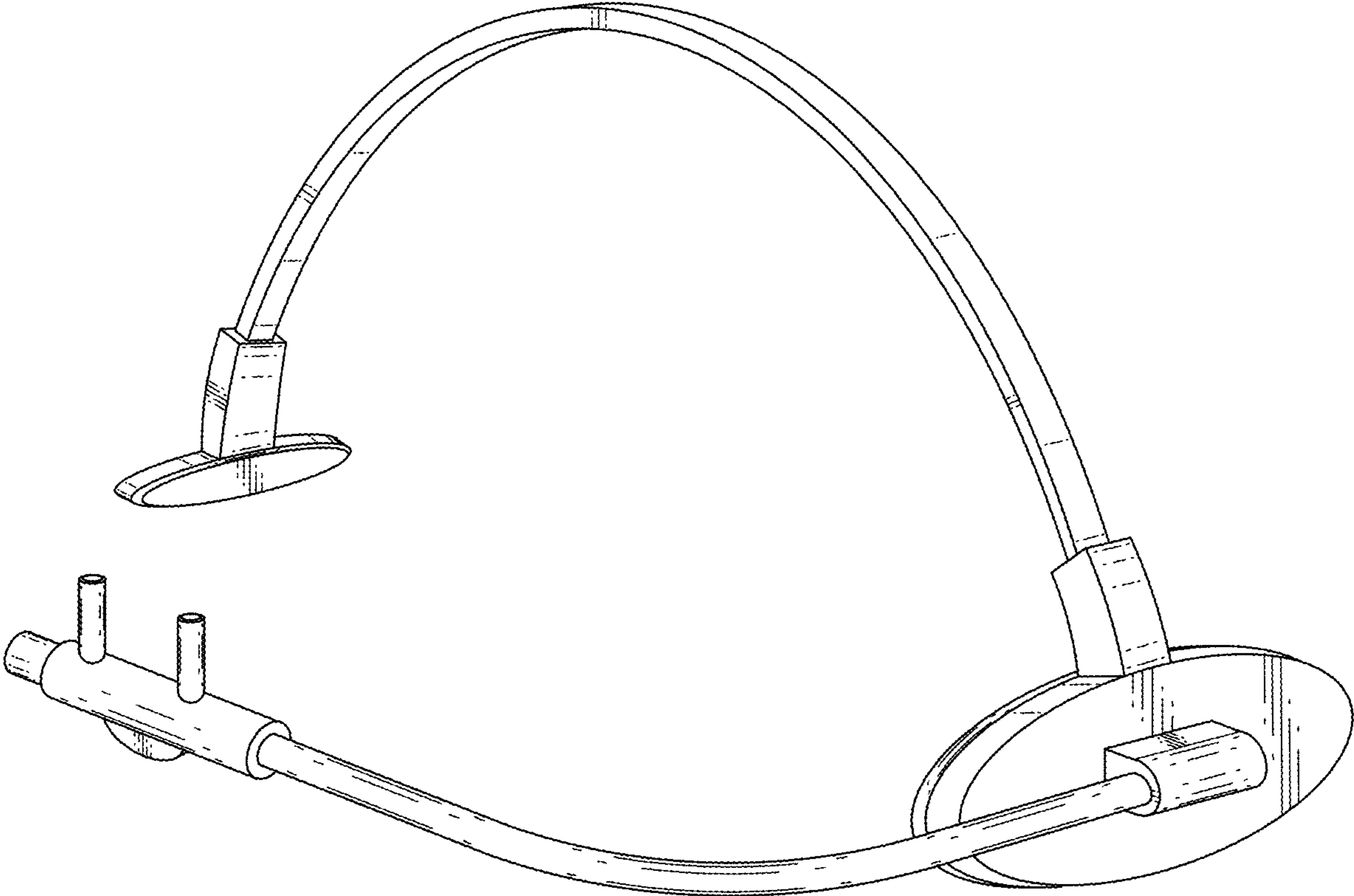


FIG. 2

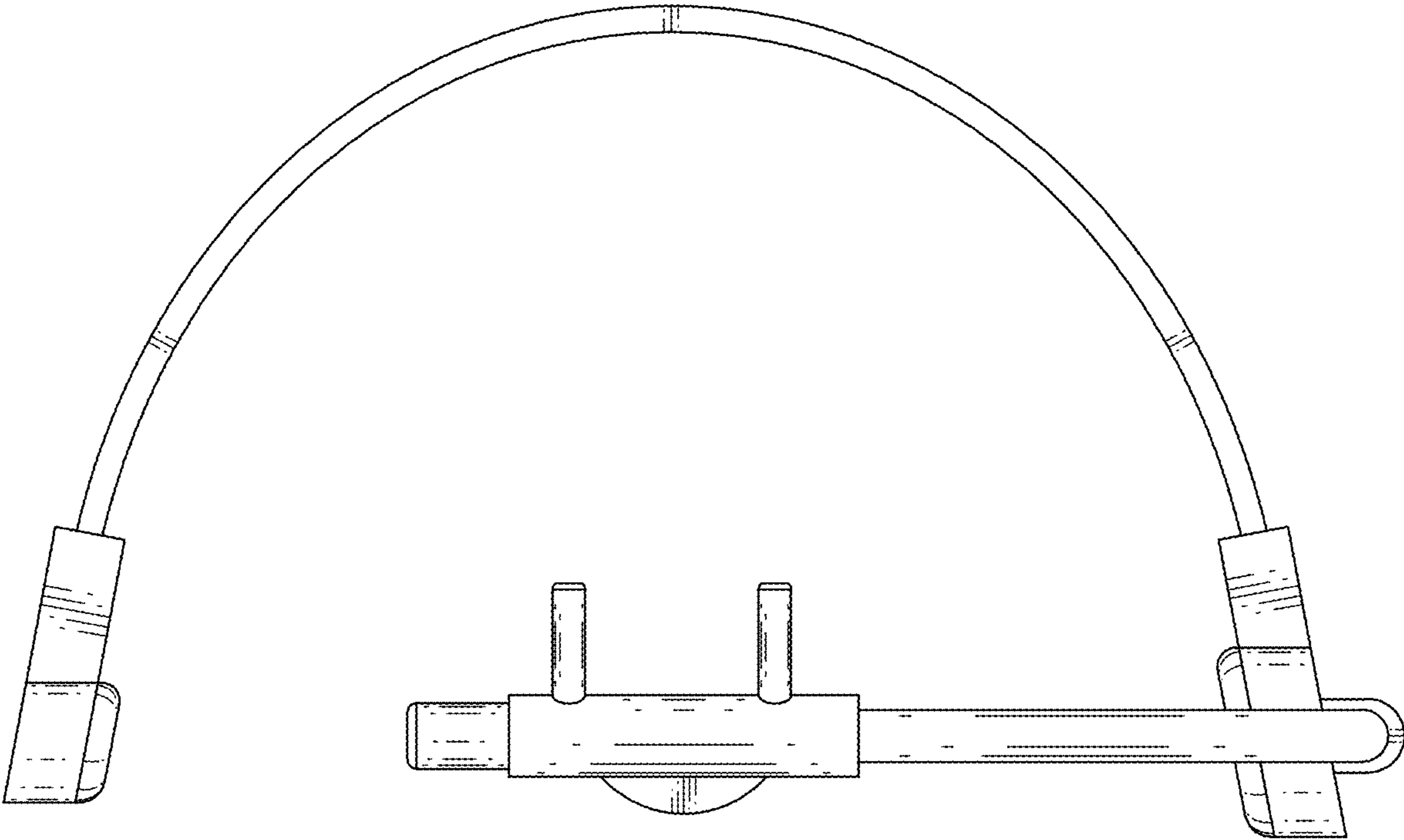


FIG. 3

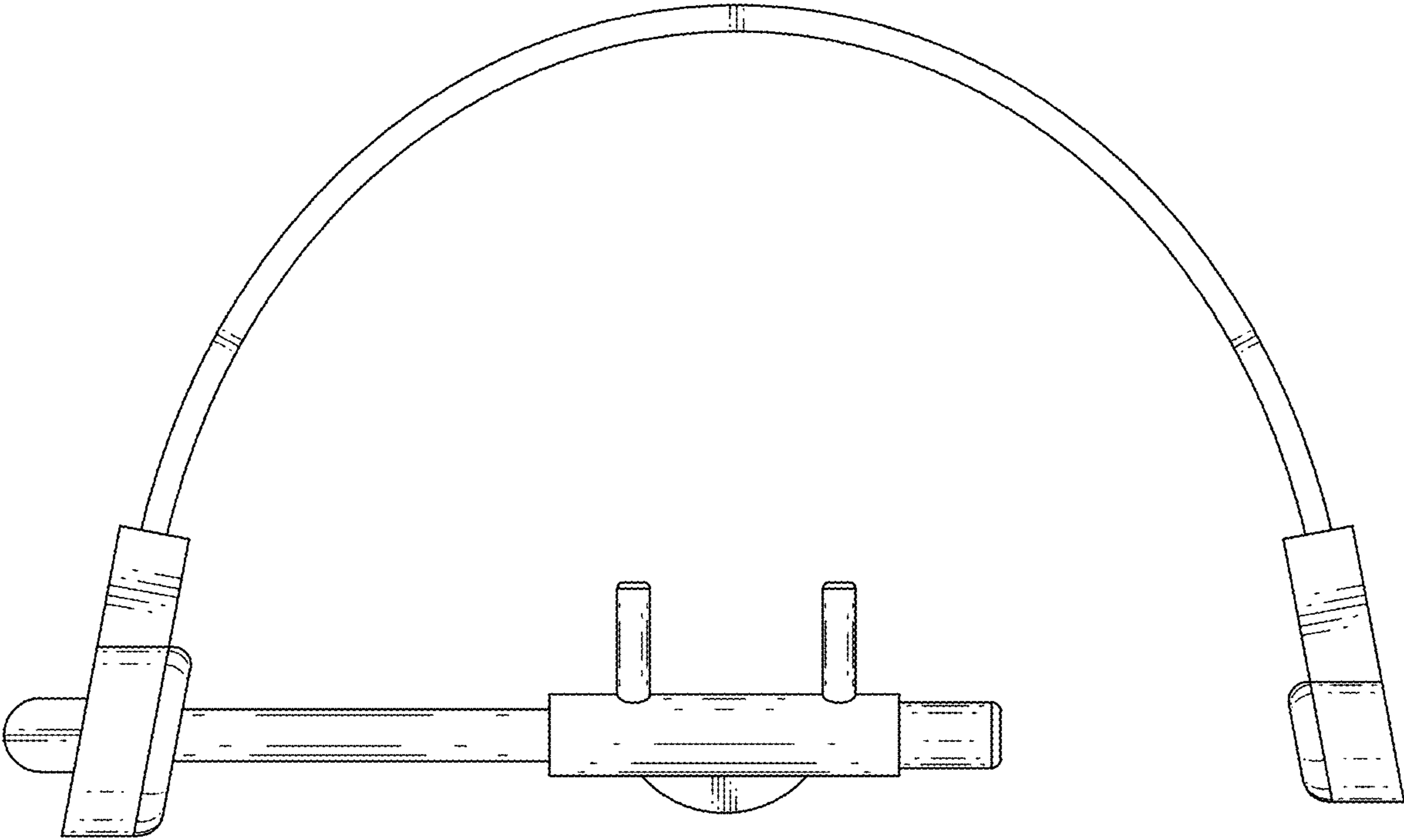


FIG. 4

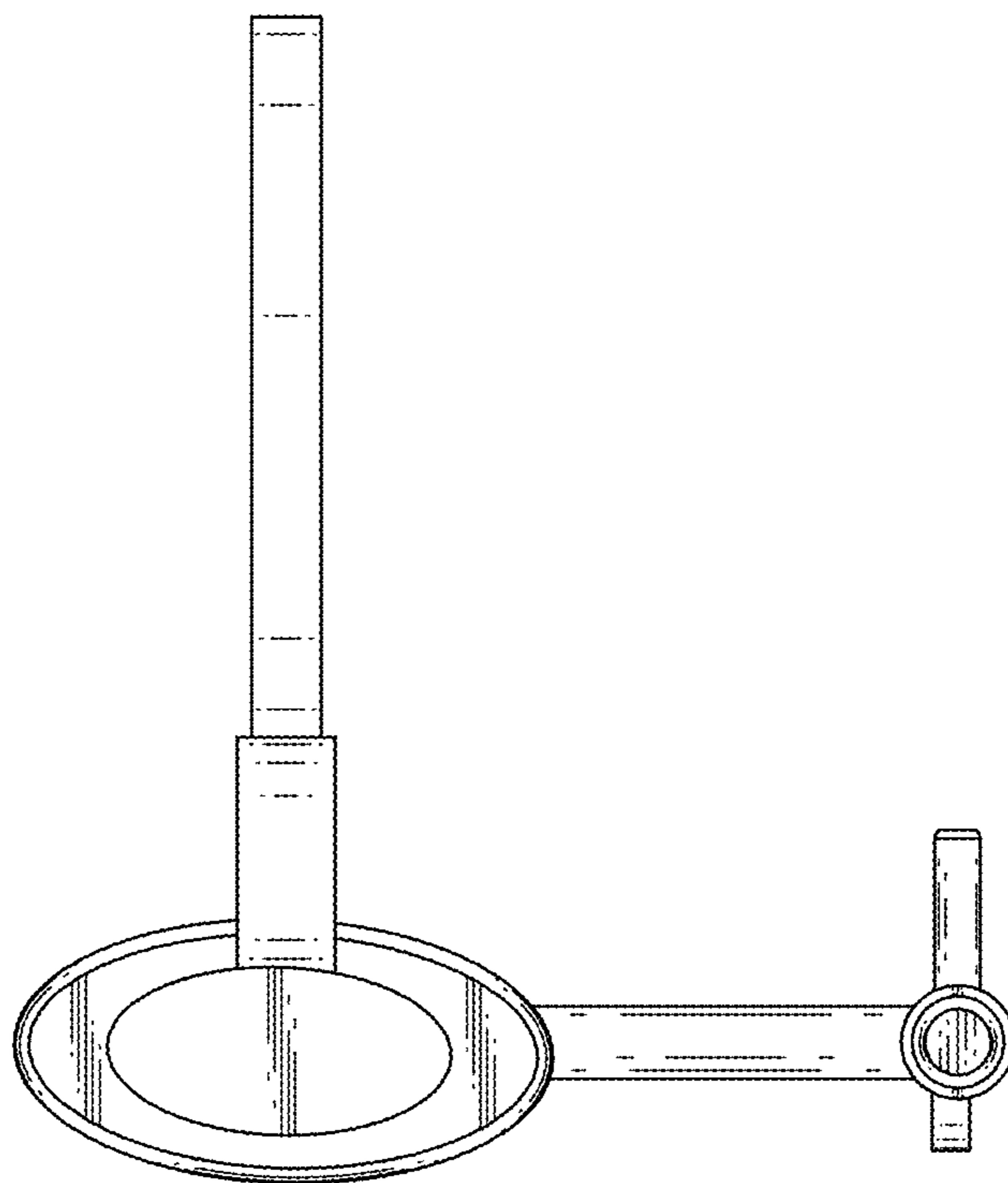


FIG. 5

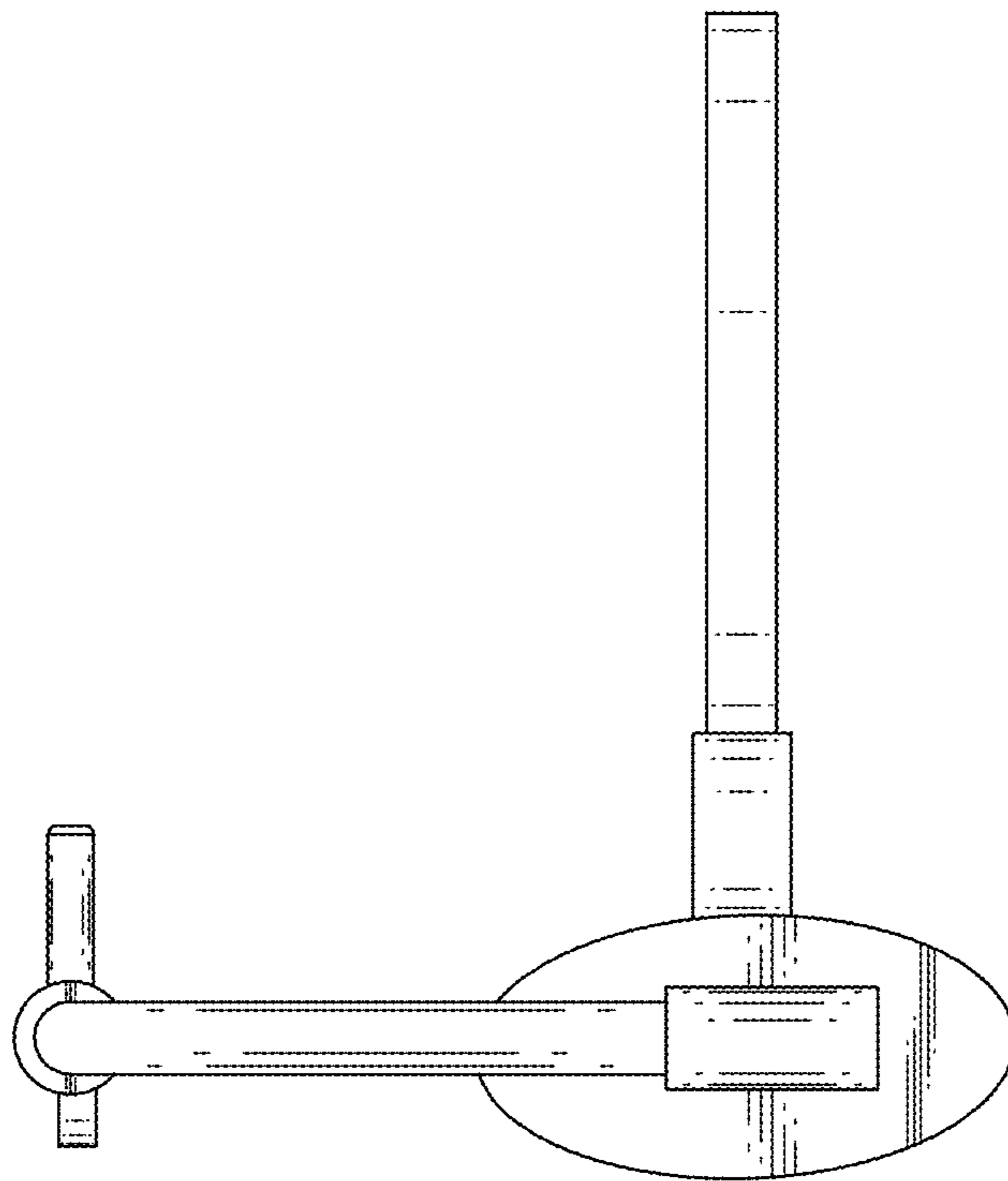


FIG. 6

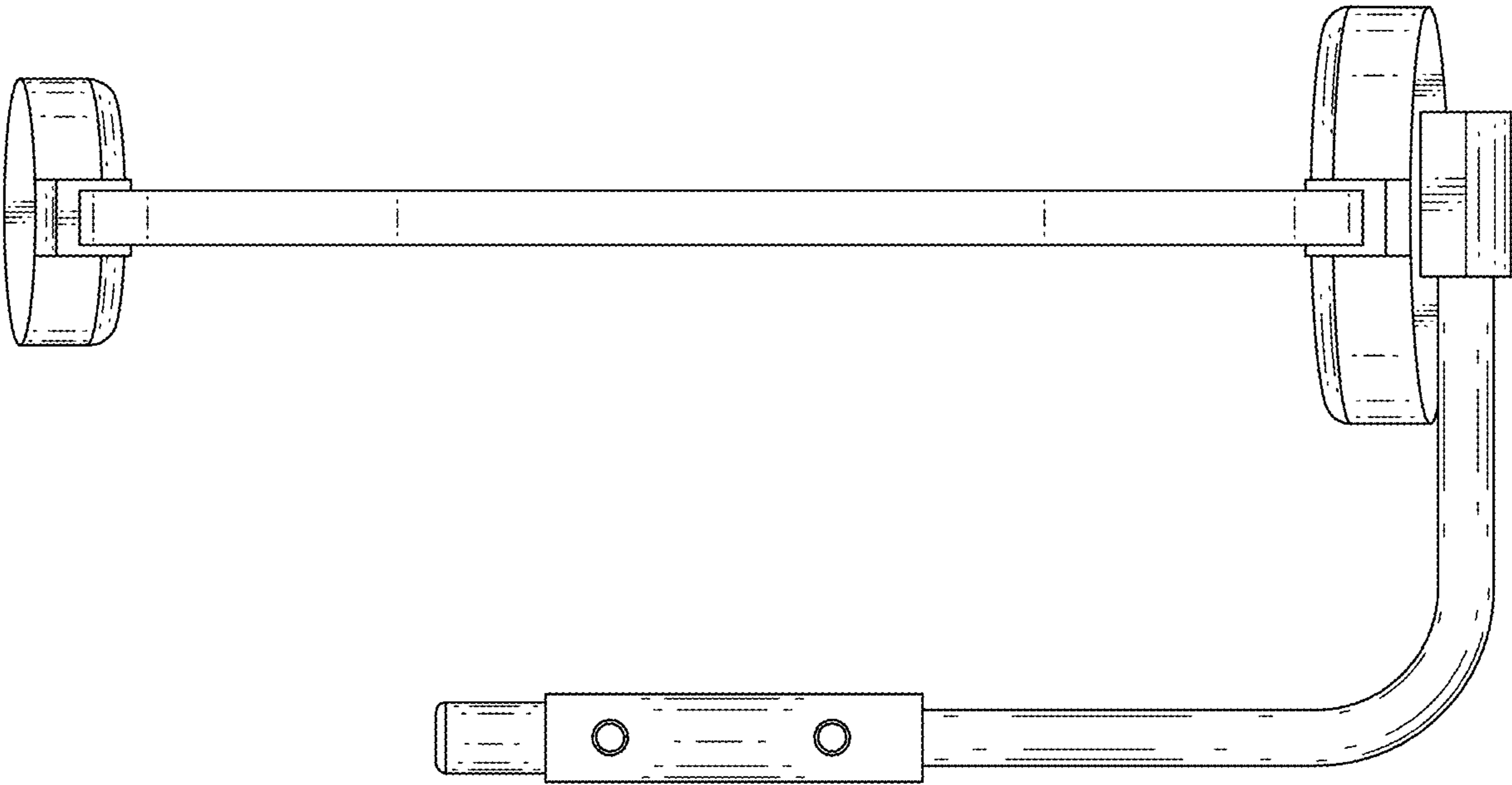


FIG. 7

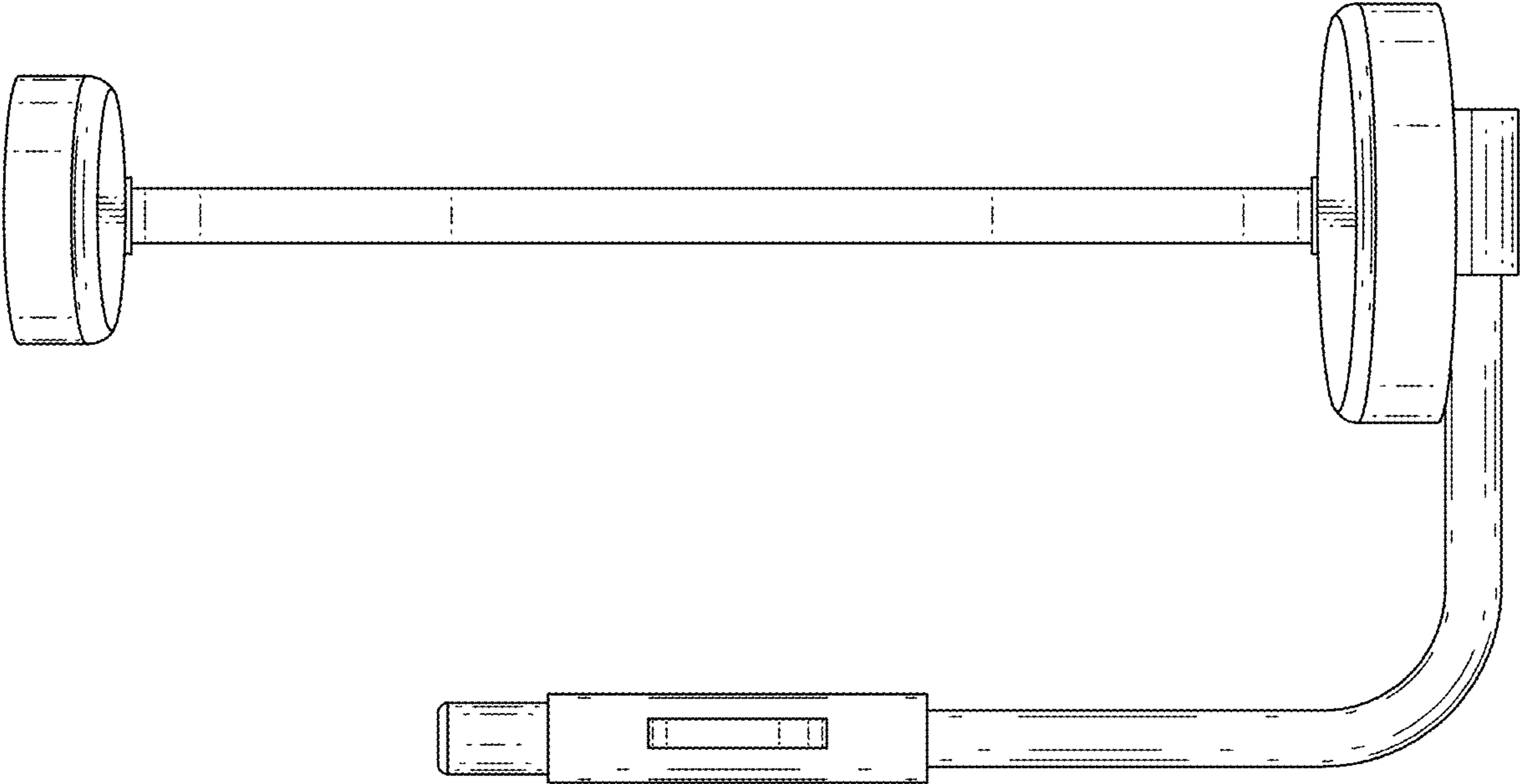


FIG. 8