



US00D944387S

(12) **United States Design Patent**  
**Weisser et al.**

(10) **Patent No.:** **US D944,387 S**

(45) **Date of Patent:** **\*\* Feb. 22, 2022**

(54) **VENTILATING FAN**

(56)

**References Cited**

(71) Applicant: **ebm-papst St. Georgen GmbH & Co. KG, St. Georgen (DE)**

**U.S. PATENT DOCUMENTS**

(72) Inventors: **Norbert Weisser, Niedereschach-Kappel (DE); Arnold Kuner, St. Georgen (DE); Volker Mauch, Dunningen (DE); Marcel Paffendorf, Gutach (DE); Stefan Mayer, Brigachtal (DE); Tobias Brucker, Lauterbach (DE); Fabian Moser, St. Georgen (DE); Achim Löffler, Emmendingen (DE)**

D209,250	S	*	11/1967	Grad	.....	D23/379
D297,761	S	*	9/1988	Shiraki	.....	D23/370
D461,238	S	*	8/2002	Horng	.....	D23/379
D483,109	S	*	12/2003	Chang	.....	D23/411
D512,499	S	*	12/2005	Li	.....	D23/379
D637,706	S	*	5/2011	Kawai	.....	D23/370
D723,151	S	*	2/2015	Xu	.....	D23/370
D732,655	S	*	6/2015	Ueno	.....	D23/370
D894,367	S	*	8/2020	Gebert	.....	D23/411
D897,520	S	*	9/2020	Gebert	.....	D23/370
2018/0252221	A1	*	9/2018	Yamasaki	.....	F04D 25/0693
2019/0145429	A1	*	5/2019	Ishida	.....	F04D 29/661
						417/354
2020/0166040	A1	*	5/2020	Yasumoto	.....	F04D 29/541

(73) Assignee: **ebm-papst St. Georgen GmbH & Co. KG, St. Georgen (DE)**

\* cited by examiner

(\*\*) Term: **15 Years**

*Primary Examiner* — Sharon S Oum

(21) Appl. No.: **29/705,936**

(74) *Attorney, Agent, or Firm* — Harness, Dickey & Pierce, P.L.C.

(22) Filed: **Sep. 17, 2019**

(57)

**CLAIM**

(30) **Foreign Application Priority Data**

Mar. 26, 2019 (EM) ..... 006329389-0001

The ornamental design for a ventilating fan, as shown and described.

(51) **LOC (13) Cl.** ..... **23-03**

**DESCRIPTION**

(52) **U.S. Cl.**

USPC ..... **D23/411; D23/370**

(58) **Field of Classification Search**

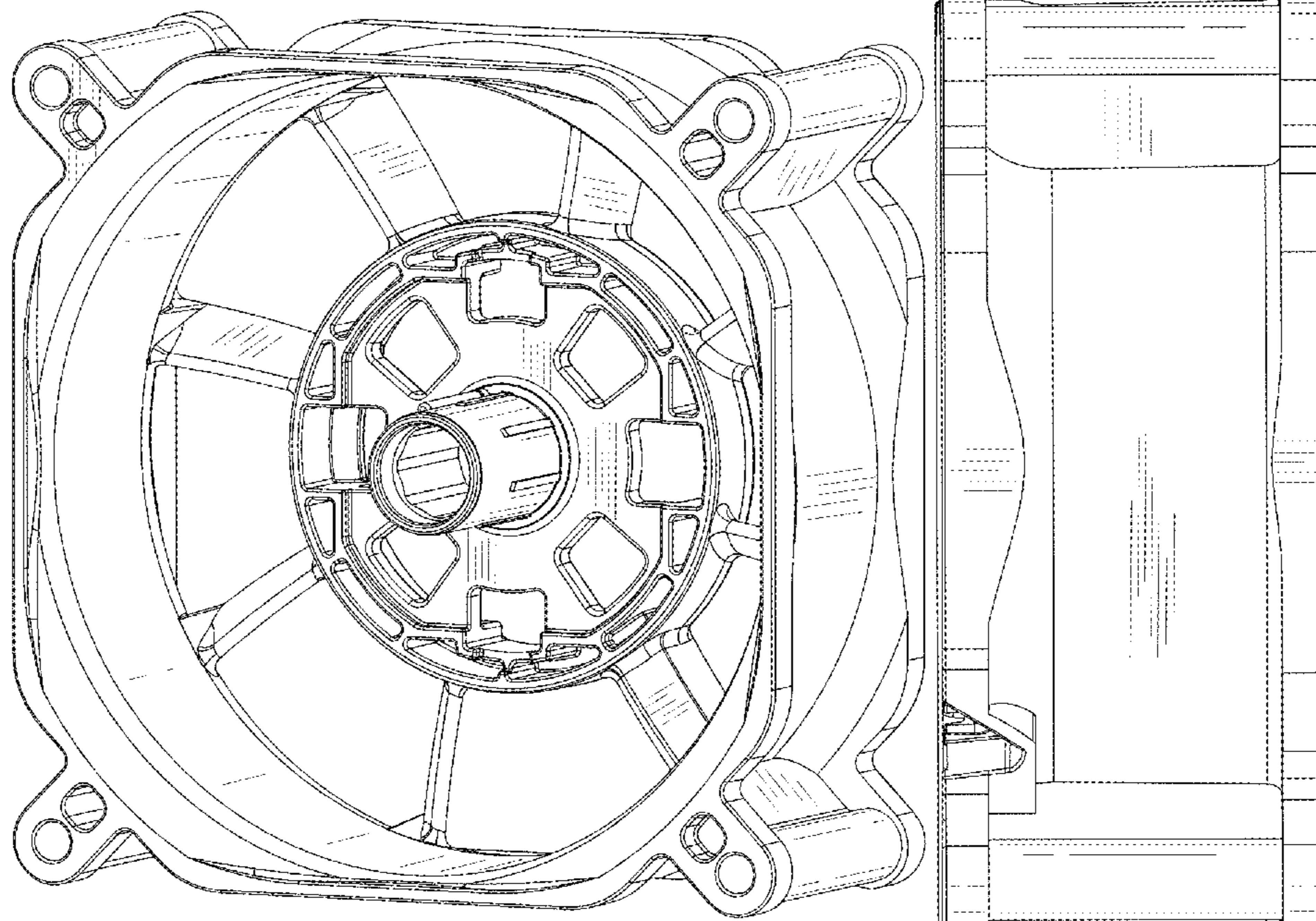
USPC ..... D23/328, 332, 333, 370–383, 385, D23/335–337, 341, 351, 352, 354, D23/411–414

CPC .. F04D 25/084; F04D 25/086; F04D 25/0673; F04D 29/646; F04D 25/08; F04D 29/32; F04D 29/52; F04D 29/324; F04D 29/38

FIG. 1 is a bottom plan view of a ventilating fan. FIG. 2 is a perspective view of the ventilating fan of FIG. 1. FIG. 3 is a top plan view of the ventilating fan of FIG. 1. FIG. 4 is a perspective view of the ventilating fan of FIG. 3; and, FIG. 5 is a side elevation view of the ventilating fan of FIG. 1.

See application file for complete search history.

**1 Claim, 5 Drawing Sheets**



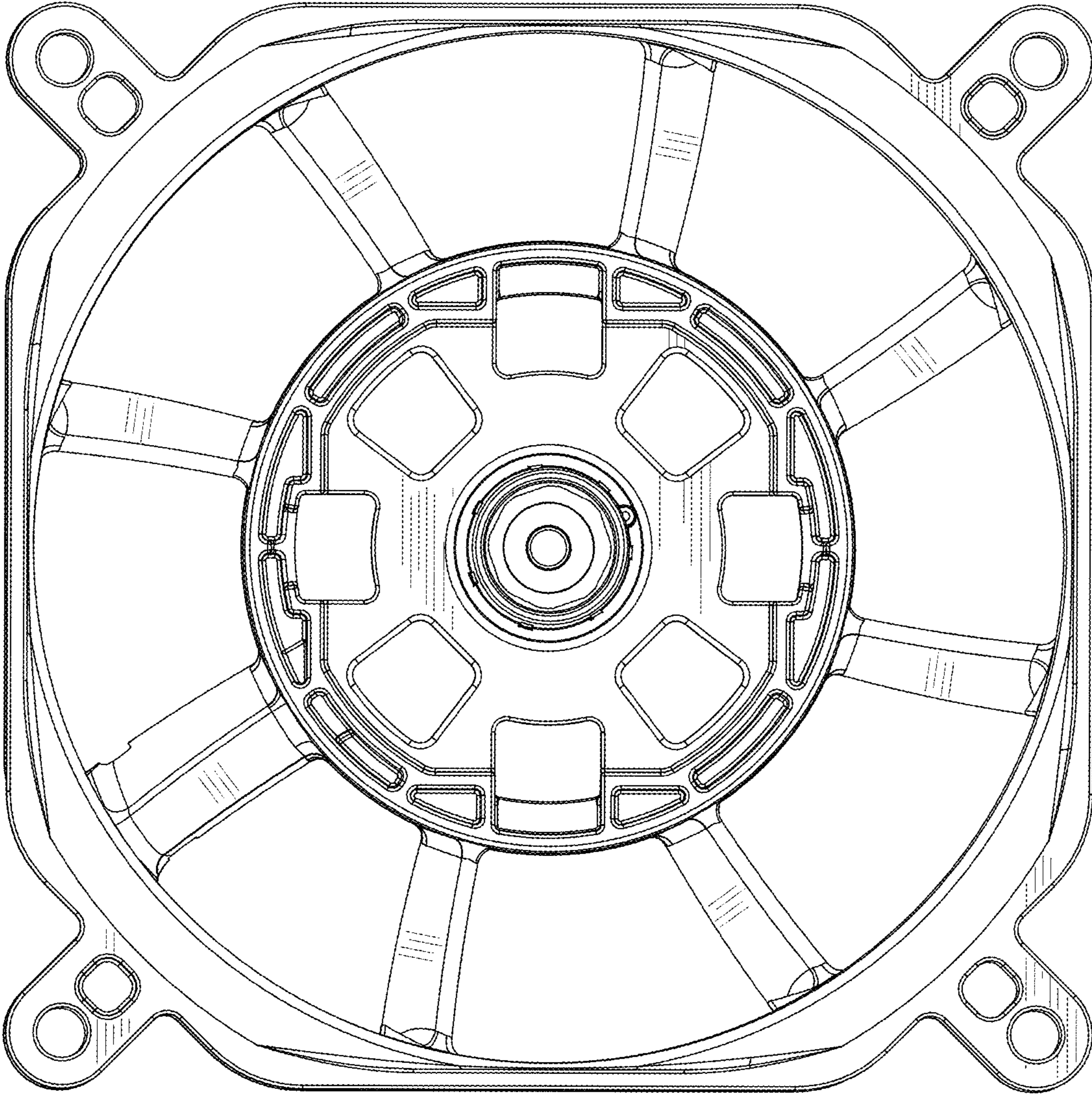


FIG - 1

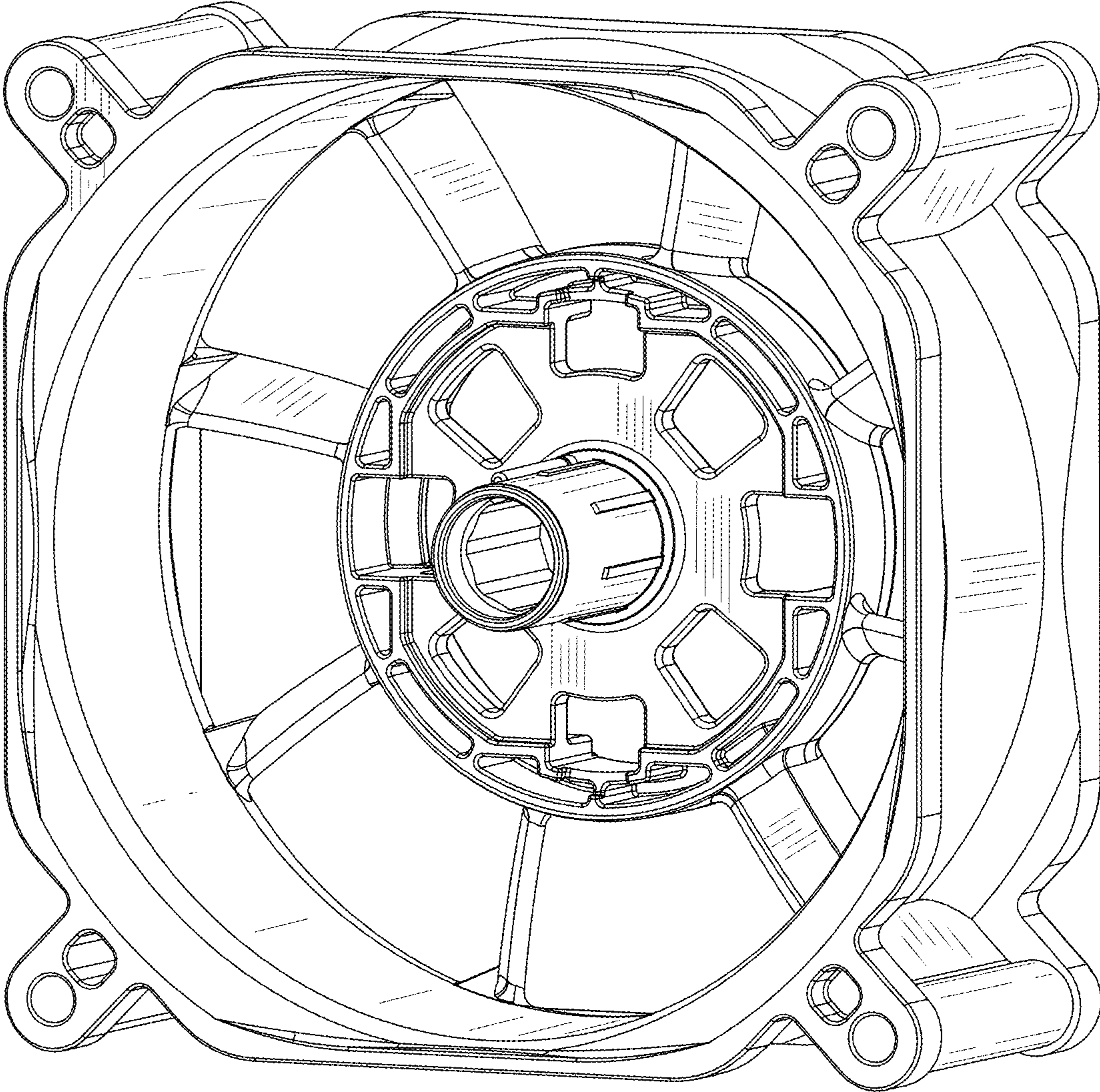


FIG - 2

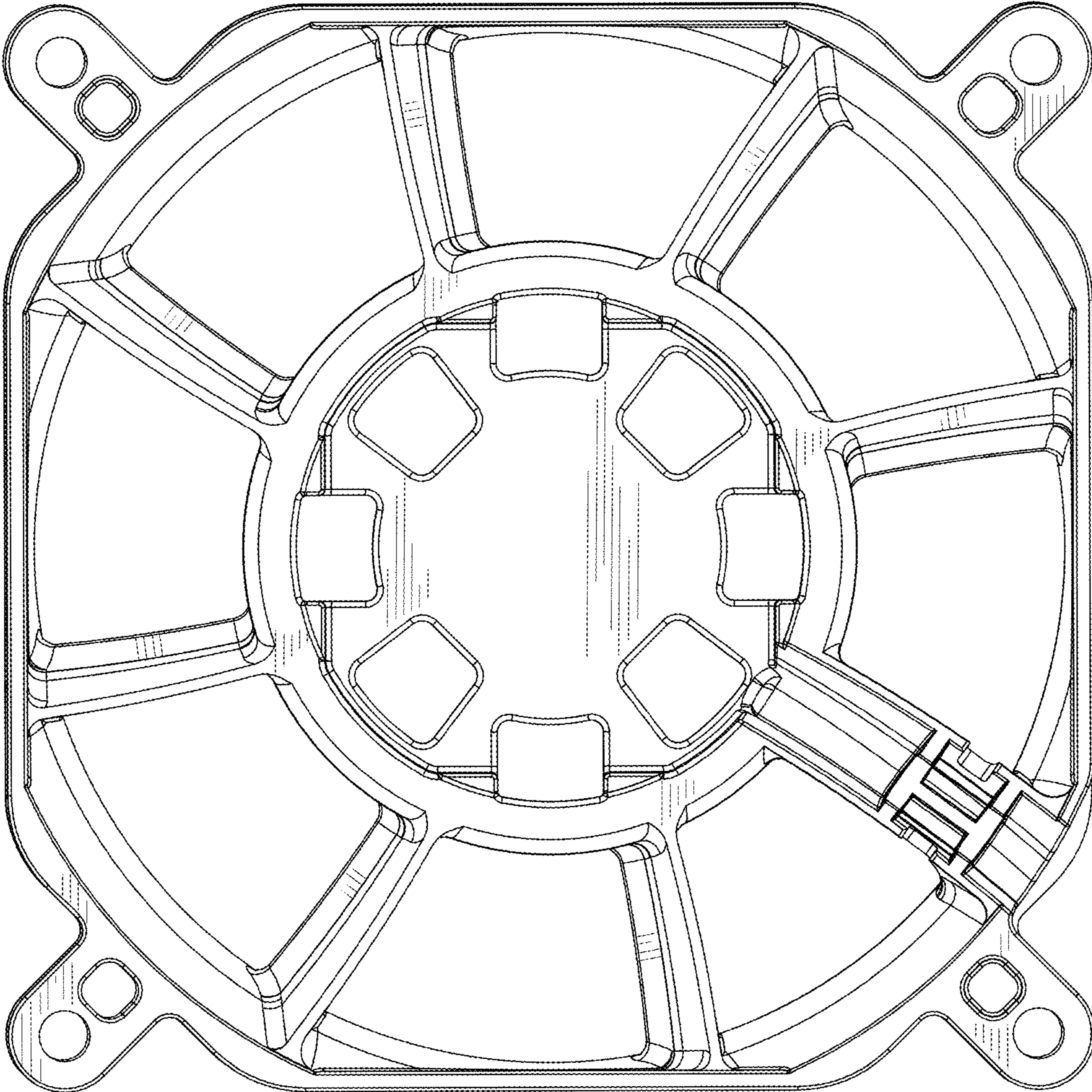


FIG - 3

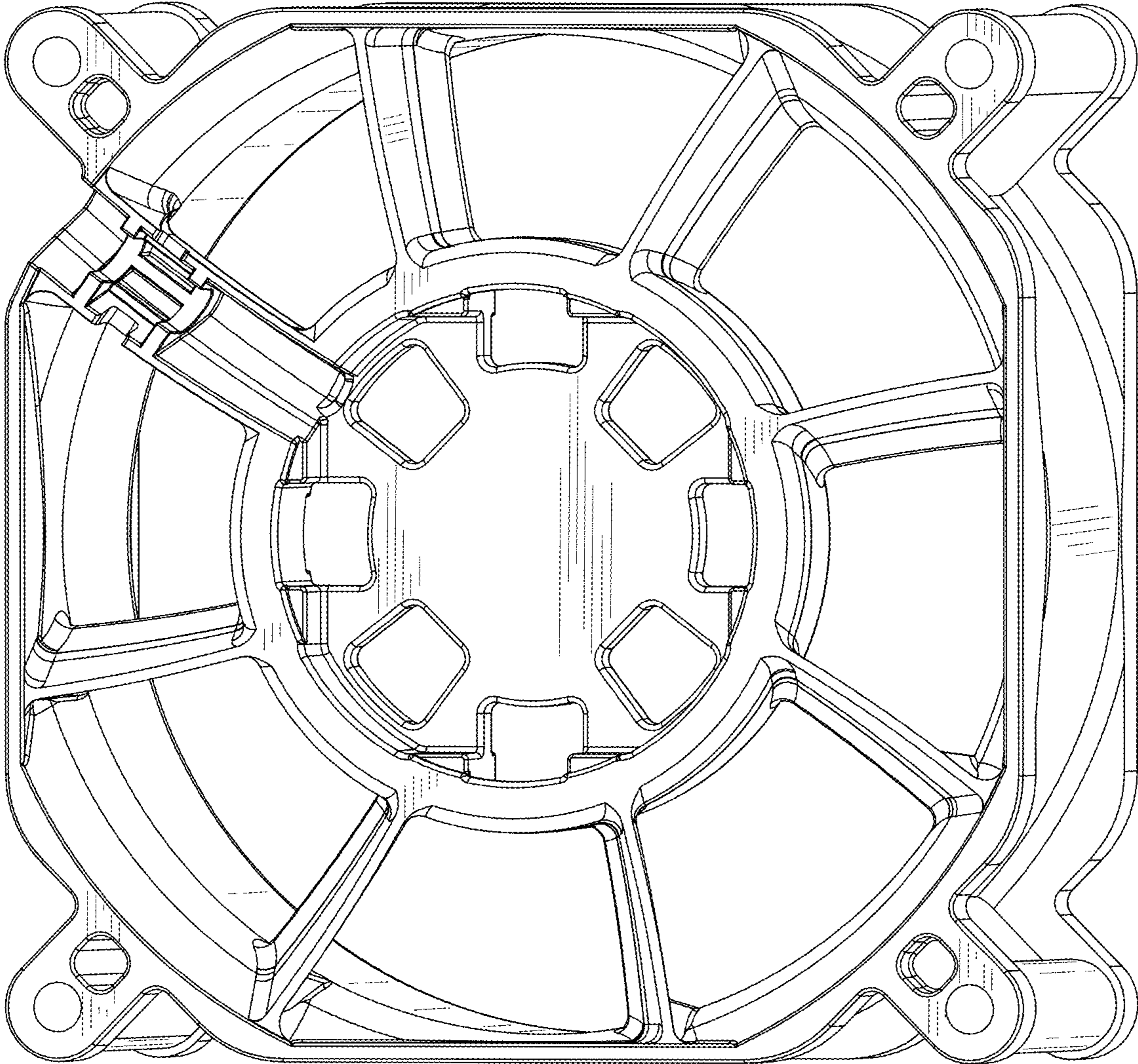


FIG - 4

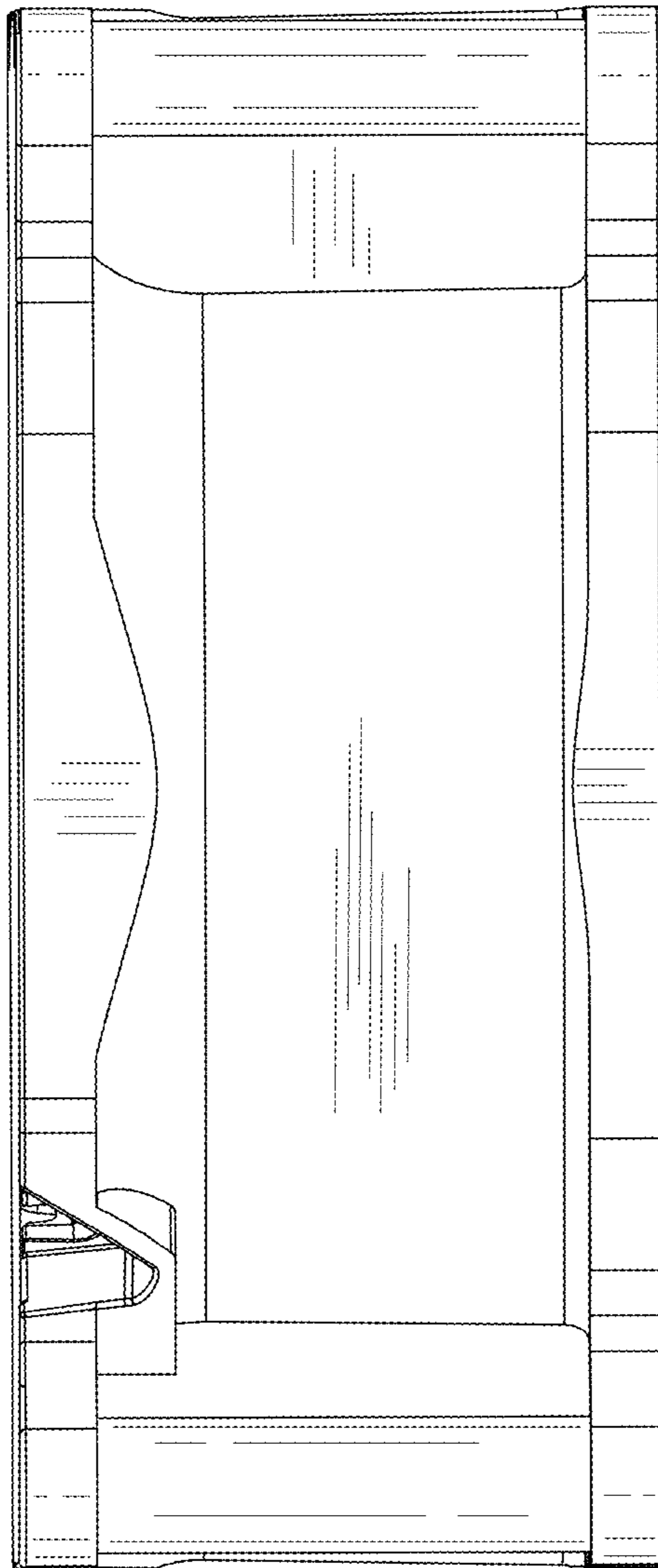


FIG - 5