



US00D944385S

(12) **United States Design Patent**
Jibinlian

(10) **Patent No.:** **US D944,385 S**

(45) **Date of Patent:** **** Feb. 22, 2022**

(54) **AIR VENT DIFFUSER**

FOREIGN PATENT DOCUMENTS

(71) Applicant: **Anahit Jibinlian**, North Hollywood,
CA (US)

CN 106828036 A 6/2017
DE 102018104851 A1 9/2018

(72) Inventor: **Anahit Jibinlian**, North Hollywood,
CA (US)

OTHER PUBLICATIONS

(**) Term: **15 Years**

“UGREEN Car Phone Holder Air Vent Cell Phone Mount”, Jan. 21,
2016, Amazon, site visited May 3, 2021: <https://www.amazon.ca/dp/B01AOV4UXC/> (Year: 2016).*

(21) Appl. No.: **29/696,671**

(Continued)

(22) Filed: **Jun. 28, 2019**

Primary Examiner — Jack Reickel

(51) **LOC (13) Cl.** **23-03**

Assistant Examiner — Bobby W Jones, II

(52) **U.S. Cl.**

(74) *Attorney, Agent, or Firm* — Arent Fox LLP

USPC **D23/393**

(57) **CLAIM**

(58) **Field of Classification Search**

The ornamental design for an air vent diffuser, as shown and
described herein.

USPC D12/415; D23/337, 341, 366, 368, 386,
D23/387, 388, 392, 393

DESCRIPTION

CPC .. B60H 1/3421; B60H 1/3435; B60H 3/0028;
F24F 13/06; F24F 13/08; F24F 13/082

See application file for complete search history.

FIG. 1 is a perspective view of an air vent diffuser according
to an aspect of the disclosure.

(56) **References Cited**

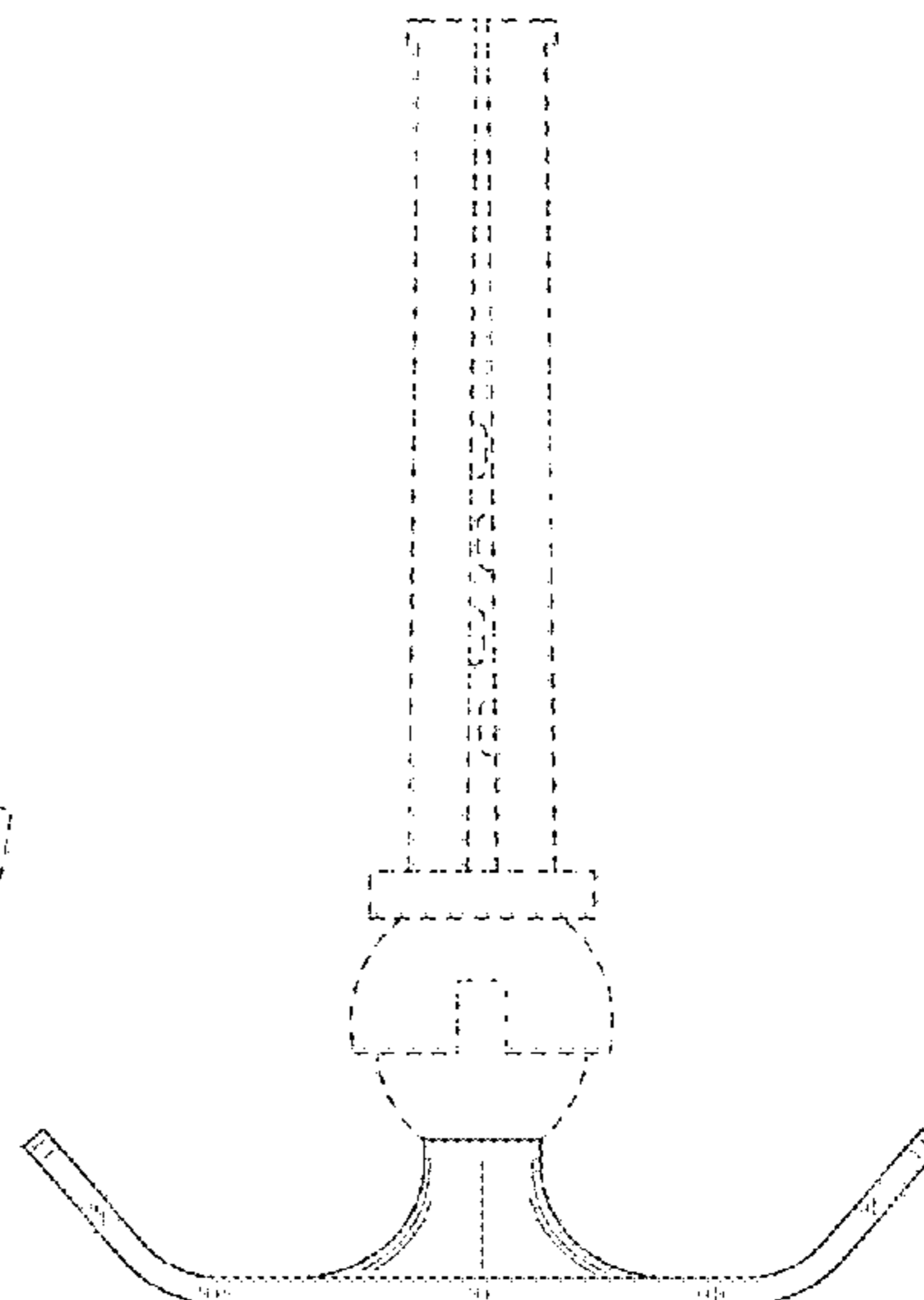
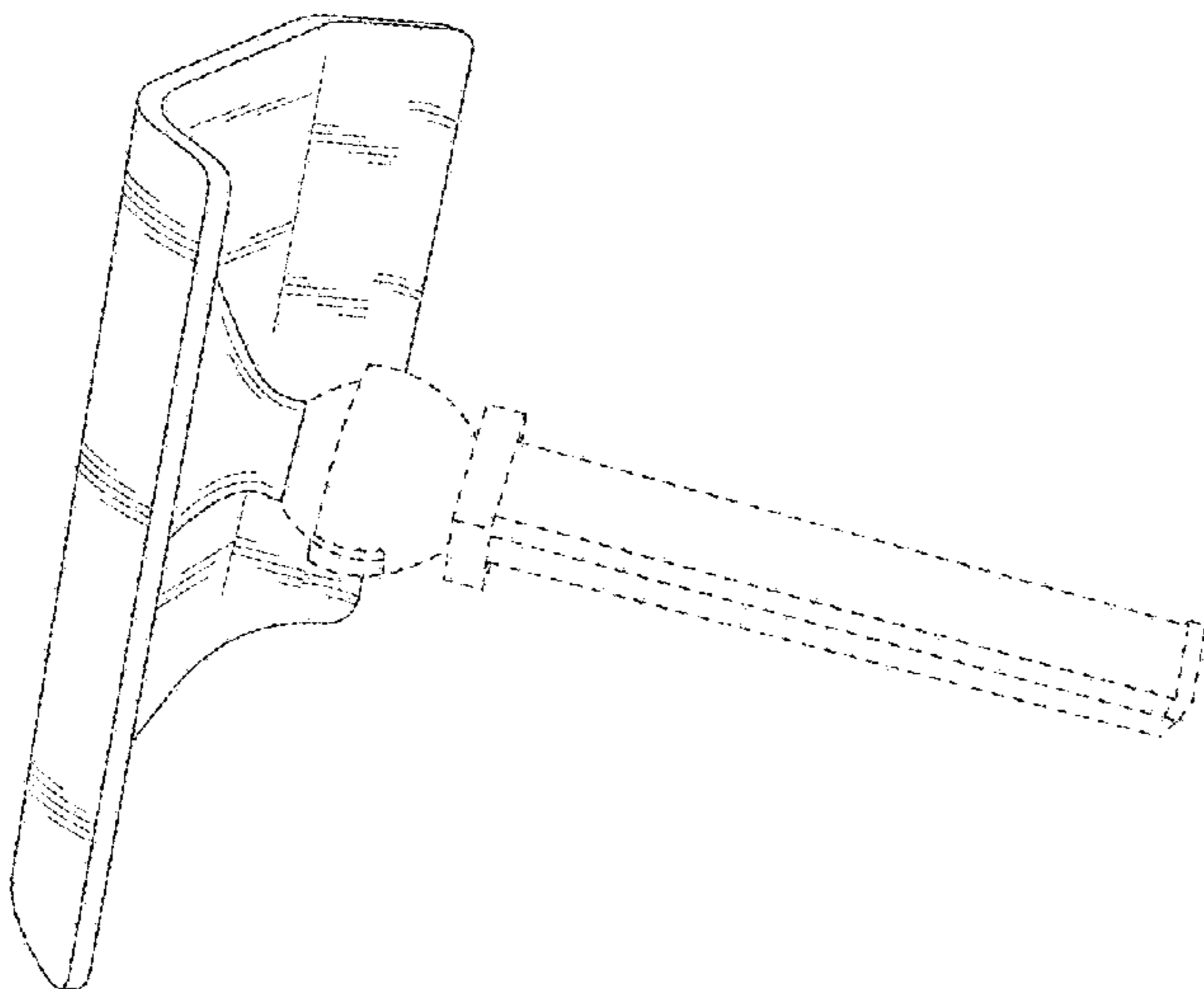
U.S. PATENT DOCUMENTS

3,392,658 A *	7/1968	Korff	F24F 7/02 454/362
D276,459 S *	11/1984	Perdue	D23/386
D289,674 S *	5/1987	Kulish	D23/207
D370,058 S *	5/1996	Bostrom	D23/315
D398,796 S *	9/1998	Fauchald	D12/415
5,979,724 A	11/1999	Loewenthal, Jr. et al.		
6,929,542 B1 *	8/2005	Stravitz	F24F 13/06 454/304
D517,678 S *	3/2006	Wiler	D23/388
D552,455 S *	10/2007	Moore	D8/363
D601,656 S *	10/2009	Costanzo	D23/207
D633,192 S *	2/2011	Valentino	D23/366
D692,118 S *	10/2013	Wu	D23/366
D694,151 S *	11/2013	Johnson	D11/200
8,573,455 B1	11/2013	Brown		

(Continued)

FIG. 2 is another perspective view of an air vent diffuser
according to an aspect of the disclosure.
FIG. 3 is a top plan view of an air vent diffuser according to
an aspect of the disclosure.
FIG. 4 is a bottom plan view of an air vent diffuser according
to an aspect of the disclosure.
FIG. 5 is a right elevation view of an air vent diffuser
according to an aspect of the disclosure.
FIG. 6 is a left elevation view of an air vent diffuser
according to an aspect of the disclosure.
FIG. 7 is a front elevation view of an air vent diffuser
according to an aspect of the disclosure; and,
FIG. 8 is a rear elevation view of an air vent diffuser
according to an aspect of the disclosure.
The broken lines shown in the drawings depict environmen-
tal subject matter only and forms no part of the claimed
design.

1 Claim, 8 Drawing Sheets



(56)

References Cited

U.S. PATENT DOCUMENTS

D754,837 S * 4/2016 Kim D23/387
D767,109 S * 9/2016 Gobber D23/368
D767,556 S * 9/2016 Lee D14/253
D778,713 S * 2/2017 McSweyn D8/363
D778,714 S 2/2017 McSweyn et al.
9,688,207 B1 6/2017 Pernici et al.
D804,006 S * 11/2017 Gobber D23/366
D831,661 S 10/2018 Yao et al.
D850,600 S * 6/2019 Gobber D23/368
D868,054 S * 11/2019 Kim D14/253
D893,398 S * 8/2020 Wu D12/415
D893,415 S * 8/2020 McSweyn D13/108
D913,477 S * 3/2021 St. Fort D23/366
2004/0040994 A1 3/2004 Parcelles
2011/0081853 A1* 4/2011 Roebuck F24F 13/06
454/307
2013/0266486 A1* 10/2013 Wu A61L 9/12
422/123

OTHER PUBLICATIONS

“Bromic Heating Portable Radiant Infrared Patio Heater” Dec. 17, 2017, Amazon, site visited May 3, 2021: <https://www.amazon.com/dp/B00NW4MK7M/> (Year: 2017).*

* cited by examiner

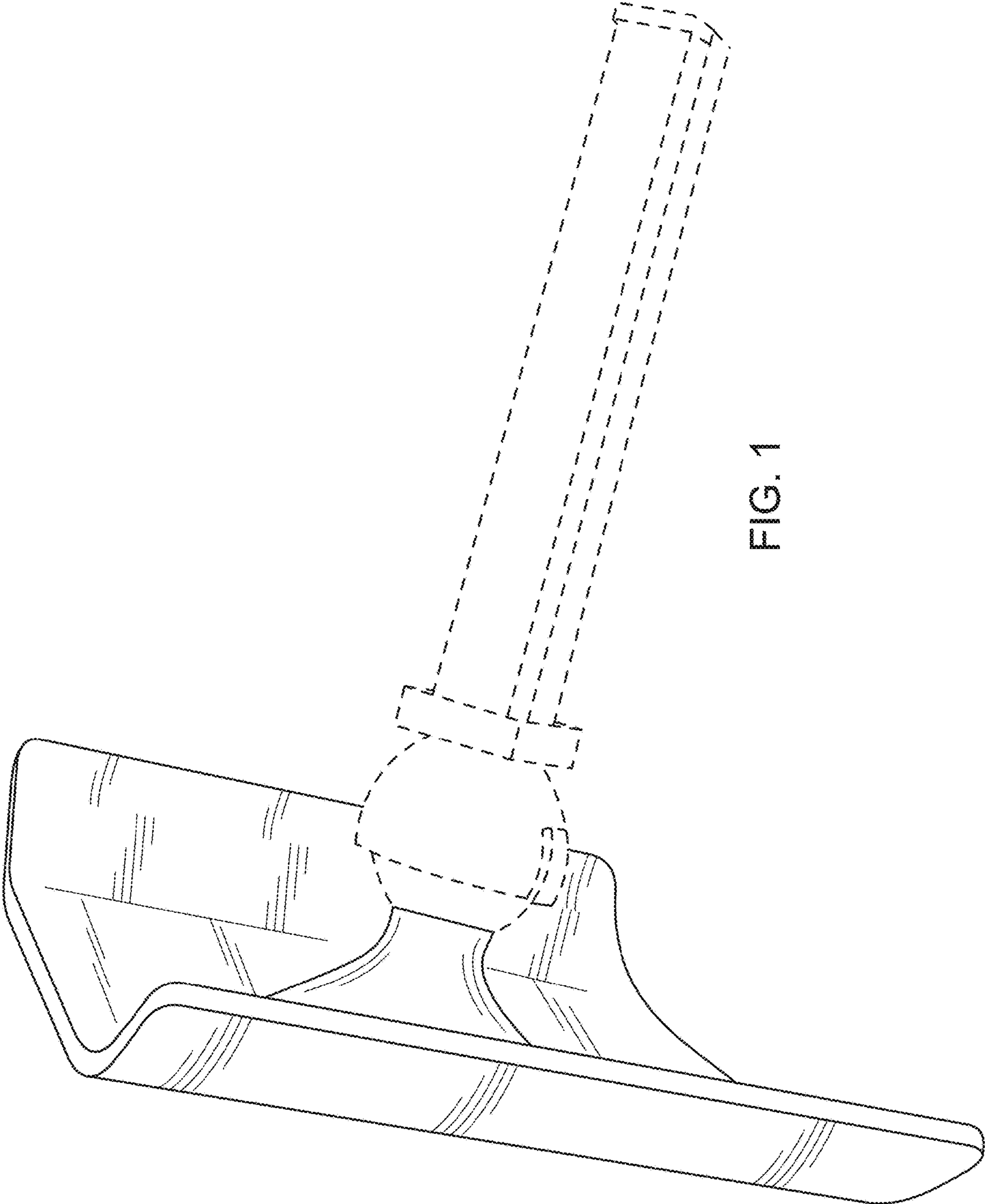


FIG. 1

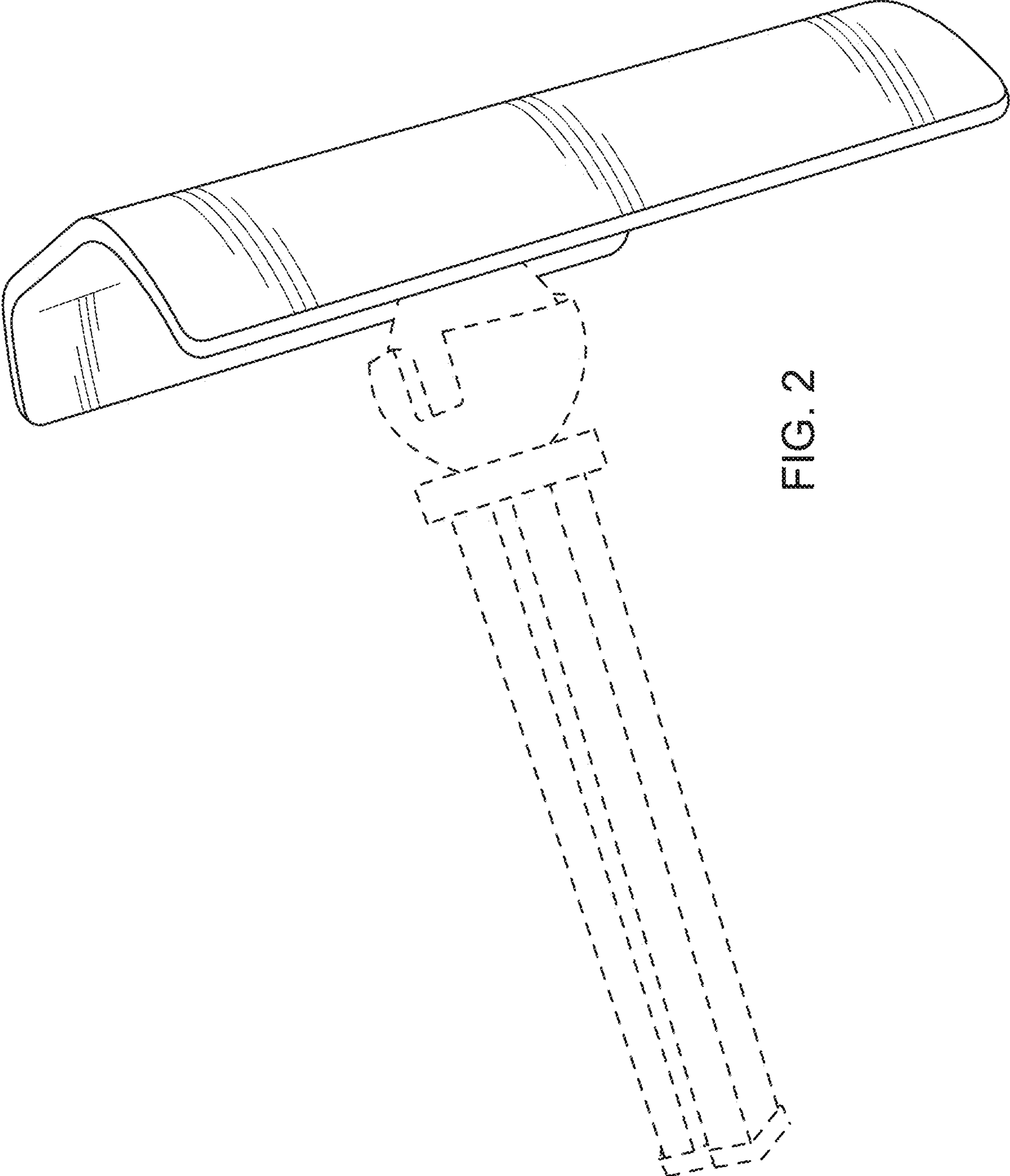


FIG. 2

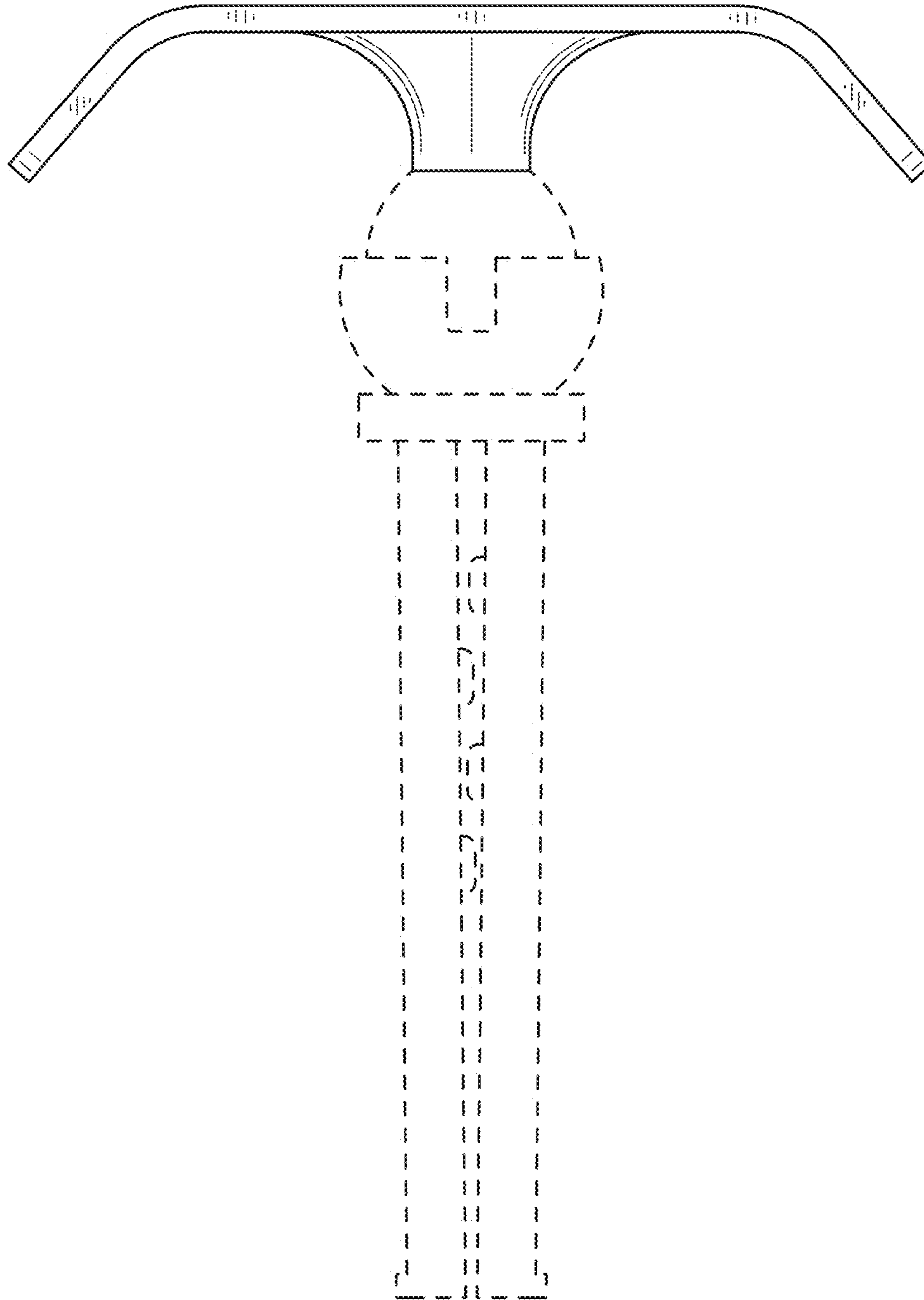


FIG. 3

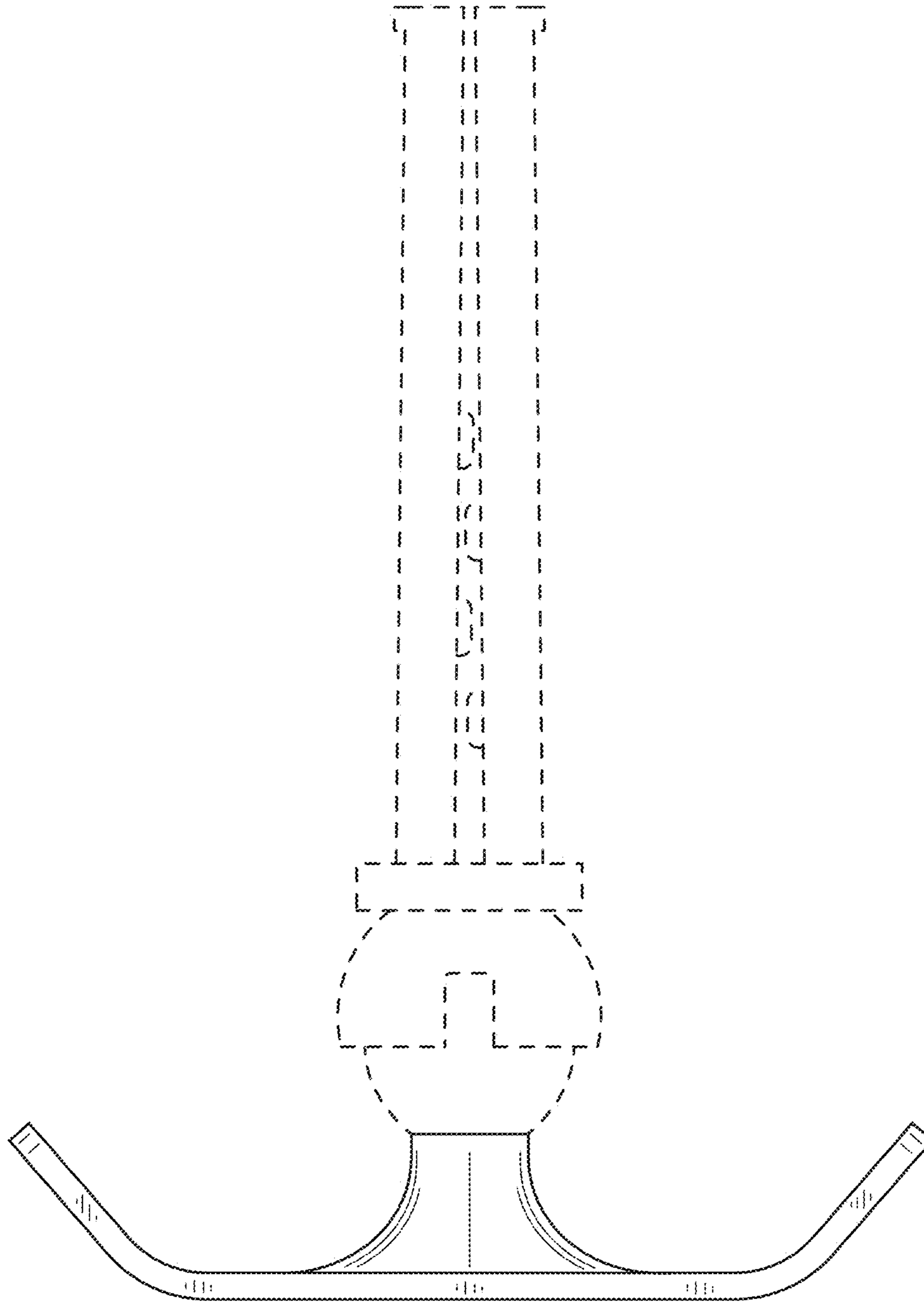


FIG. 4

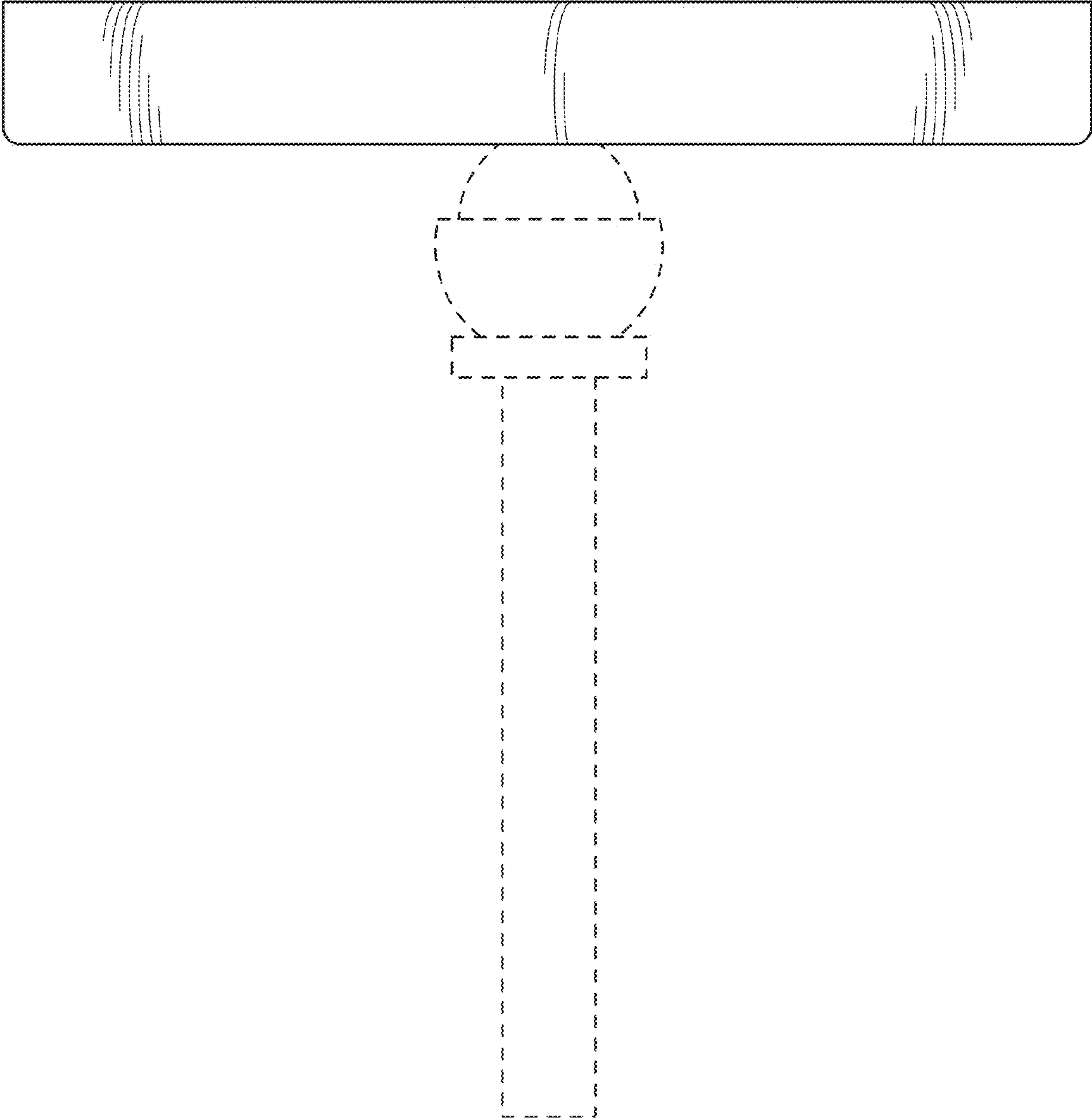


FIG. 5

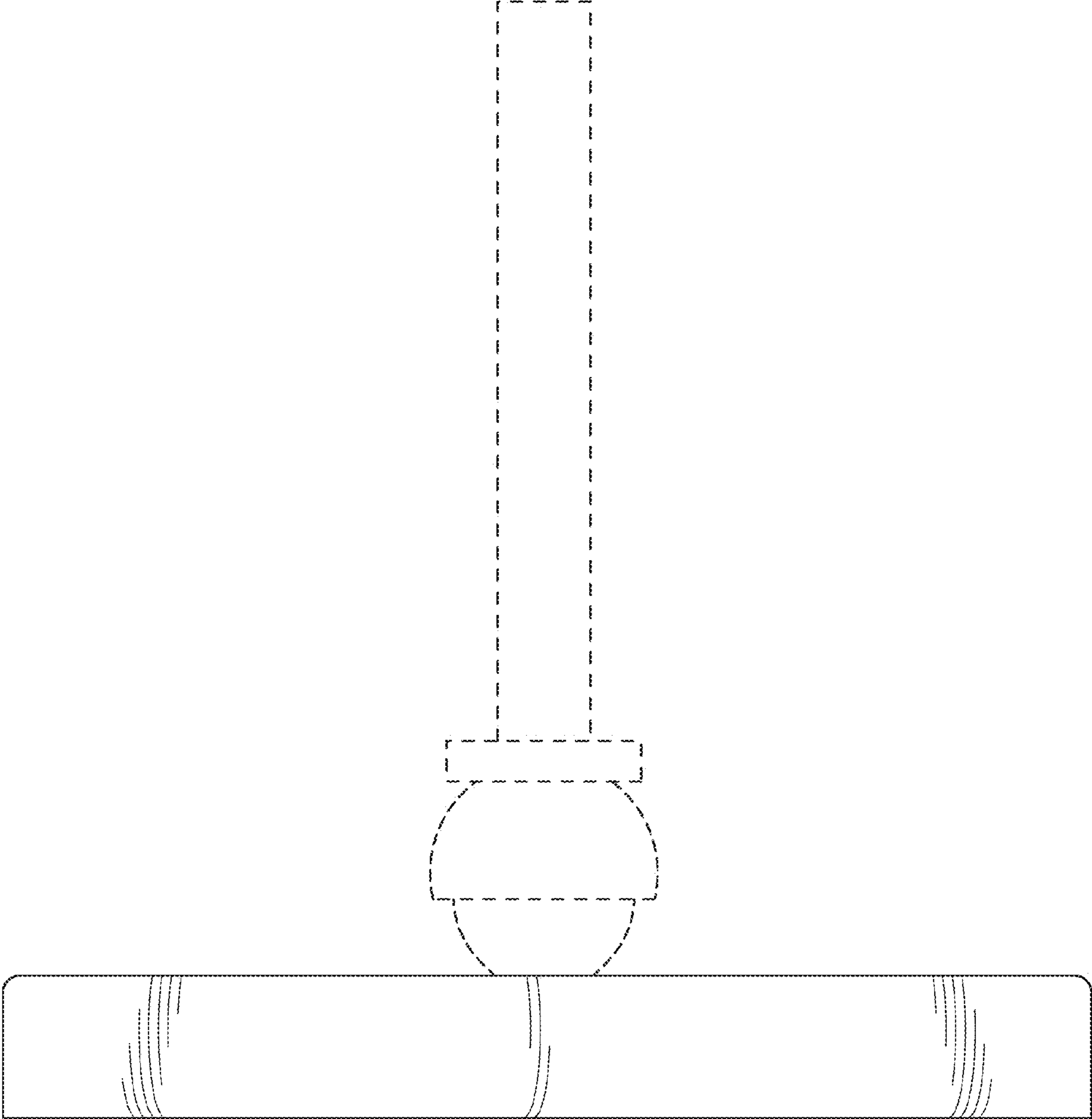


FIG. 6

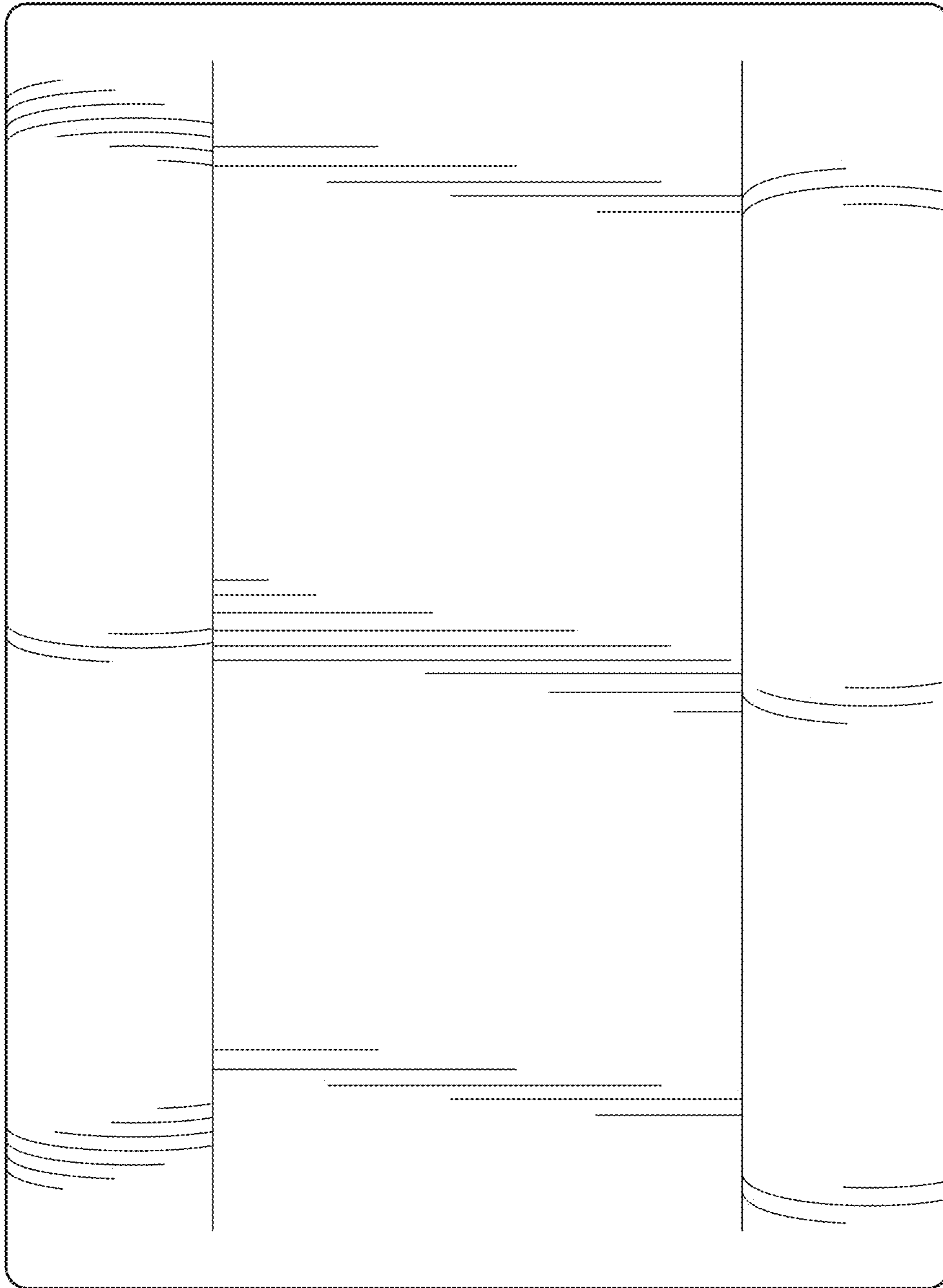


FIG. 7

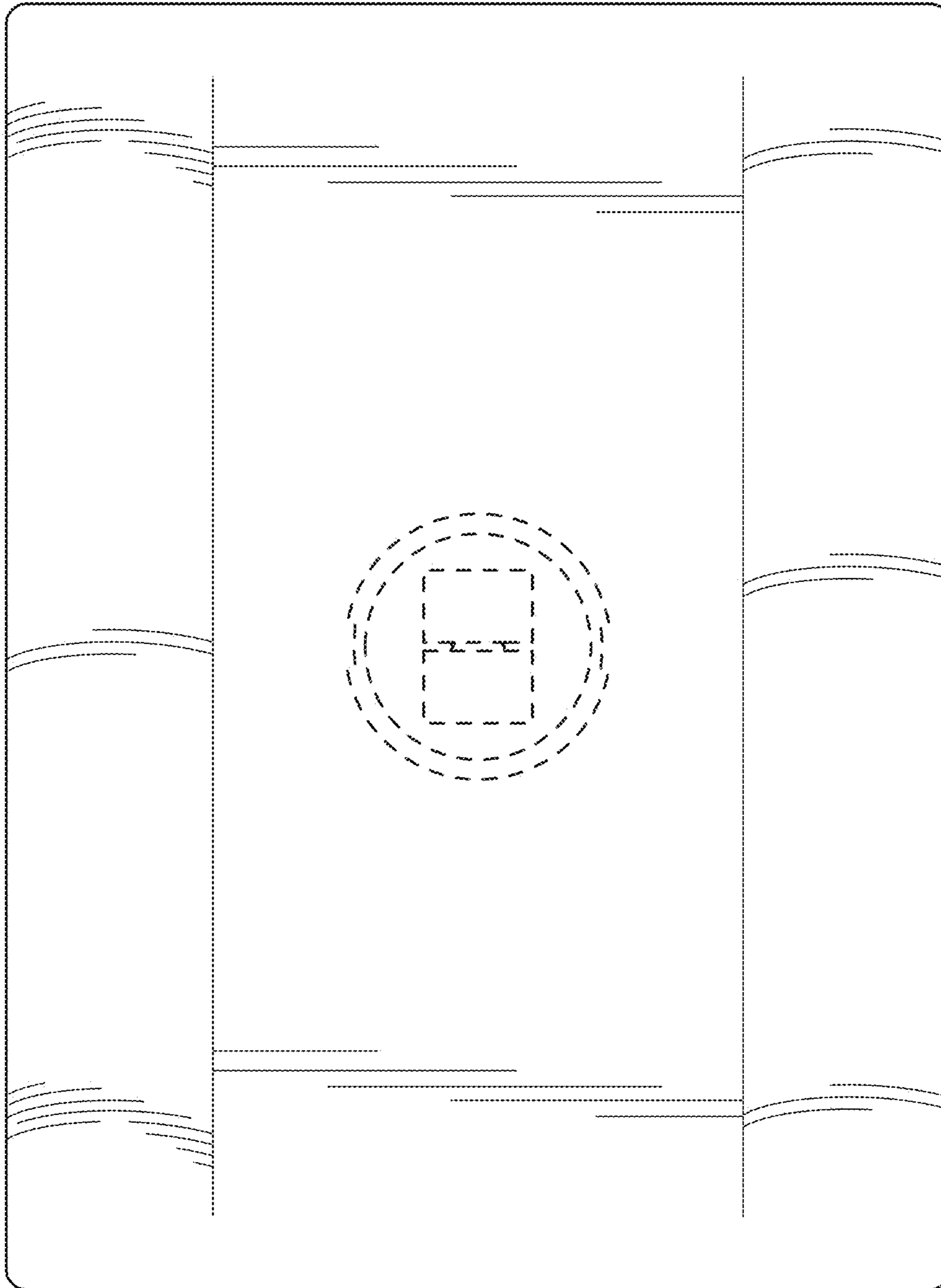


FIG. 8