

US00D944384S

(12) **United States Design Patent**  
**Yuan**

(10) **Patent No.:** **US D944,384 S**

(45) **Date of Patent:** **\*\* Feb. 22, 2022**

(54) **COOKER HOOD**

(71) Applicant: **Foshan Shunde Arcair Appliance Industrial Co., Ltd., Foshan (CN)**

(72) Inventor: **Zhijiang Yuan, Foshan (CN)**

(\*\*) Term: **15 Years**

(21) Appl. No.: **29/683,394**

(22) Filed: **Mar. 13, 2019**

(51) **LOC (13) Cl.** ..... **23-04**

(52) **U.S. Cl.**  
USPC ..... **D23/372**

(58) **Field of Classification Search**  
USPC ..... D23/370-372, 411  
See application file for complete search history.

(56) **References Cited**

**U.S. PATENT DOCUMENTS**

D471,268 S *	3/2003	Segers	.....	D23/372
D487,505 S *	3/2004	Grobleben	.....	D23/371
D489,805 S *	5/2004	Vetter	.....	F24C 15/20
				D23/371
D490,887 S *	6/2004	Segers	.....	D23/372
D516,694 S *	3/2006	Vetter	.....	D23/372
D516,695 S *	3/2006	Vetter	.....	D23/372
D527,088 S *	8/2006	Hendrickx	.....	D23/372
D566,821 S *	4/2008	Wilsdorf	.....	D23/372

D576,264 S *	9/2008	Grobleben	.....	D23/372
D610,668 S *	2/2010	Grey	.....	D23/372
D621,023 S *	8/2010	Funnell	.....	D23/372
D643,917 S *	8/2011	Klunker	.....	D23/371
D651,705 S *	1/2012	Klunker	.....	D23/371
D730,507 S *	5/2015	Borjesson	.....	D23/372
D825,734 S *	8/2018	Mok	.....	D23/372
2020/0011540 A1 *	1/2020	Chu	.....	F24C 15/2021
2020/0340681 A1 *	10/2020	Xia	.....	F24C 15/2035

\* cited by examiner

*Primary Examiner* — Janice Hallmark

(74) *Attorney, Agent, or Firm* — Rumit Ranjit Kanakia

(57) **CLAIM**

I claim the ornamental design for a cooker hood, as shown and described.

**DESCRIPTION**

FIG. 1 is a Perspective view of a cooker hood showing my new design;

FIG. 2 is another Perspective view of the cooker hood as shown in FIG. 1 shown in an alternate position;

FIG. 3 is a Front view of the cooker hood of FIG. 1;

FIG. 4 is a Back view of the cooker hood of FIG. 1;

FIG. 5 is a Right-side view of the cooker hood of FIG. 1;

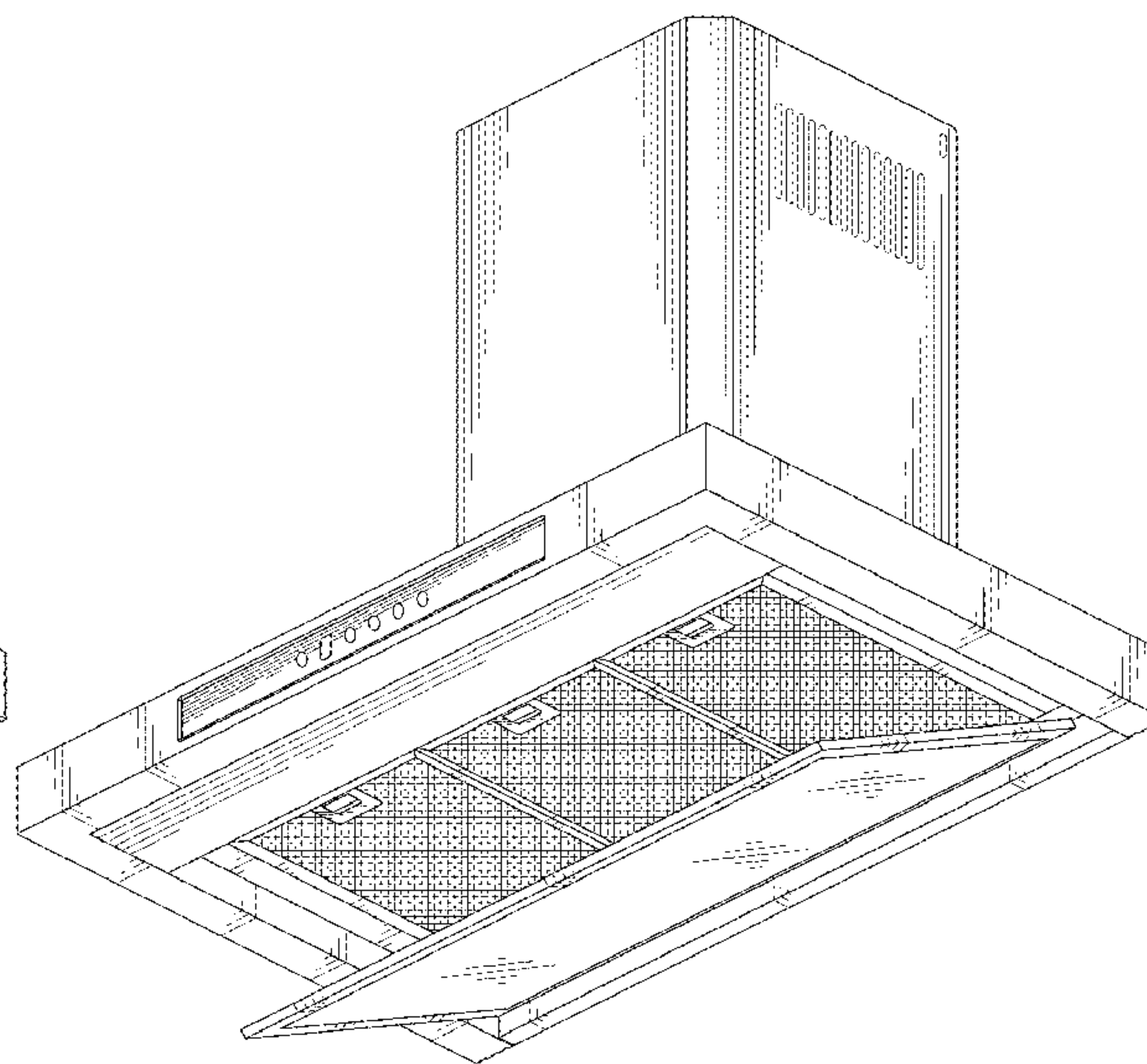
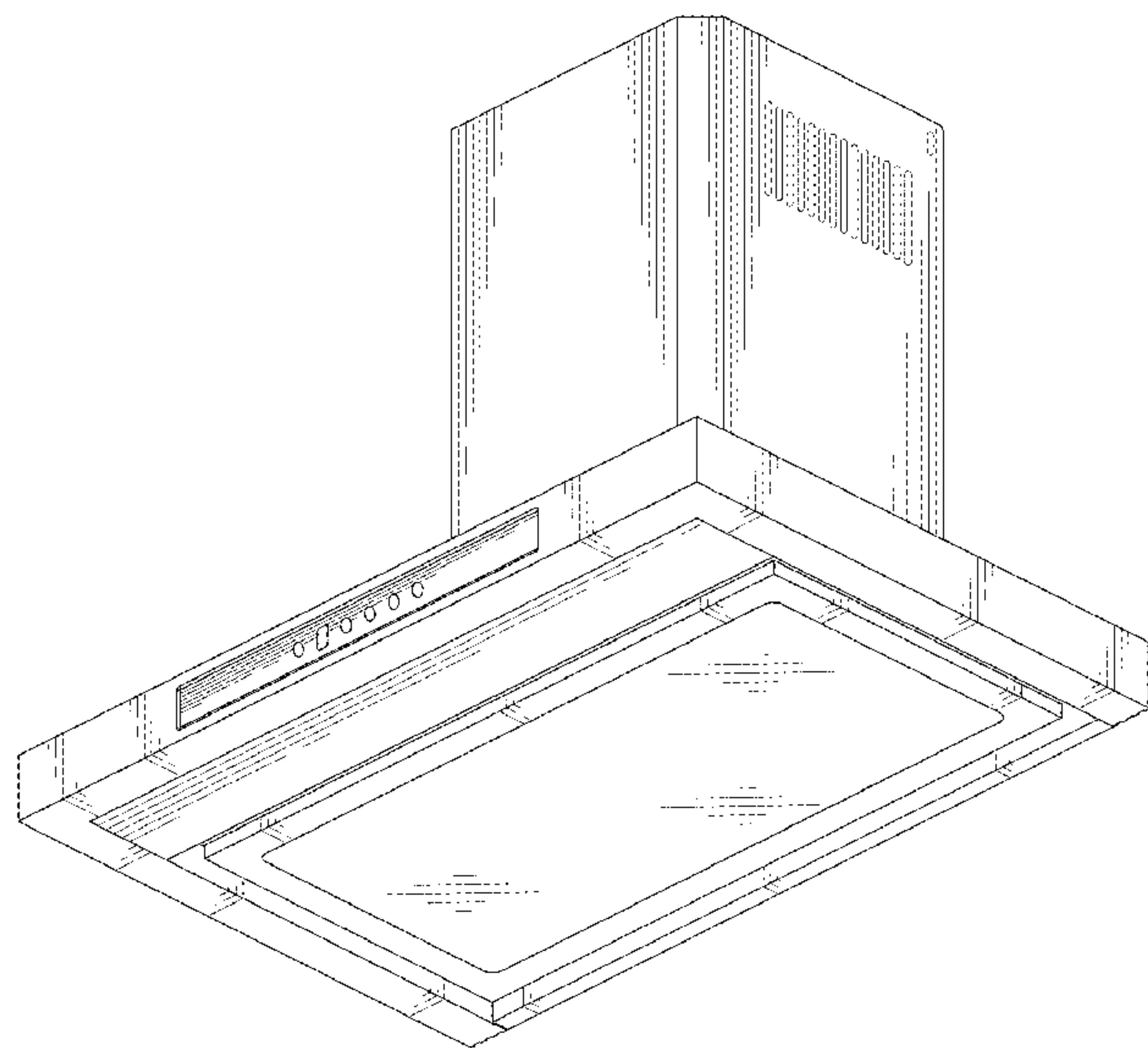
FIG. 6 is a Left-side view of the cooker hood of FIG. 1;

FIG. 7 is a Top view of the cooker hood of FIG. 1; and,

FIG. 8 is a Bottom view of the cooker hood of FIG. 1.

The broken lines in the drawings depict portions of the cooker hood that form no part of the claimed design.

**1 Claim, 8 Drawing Sheets**



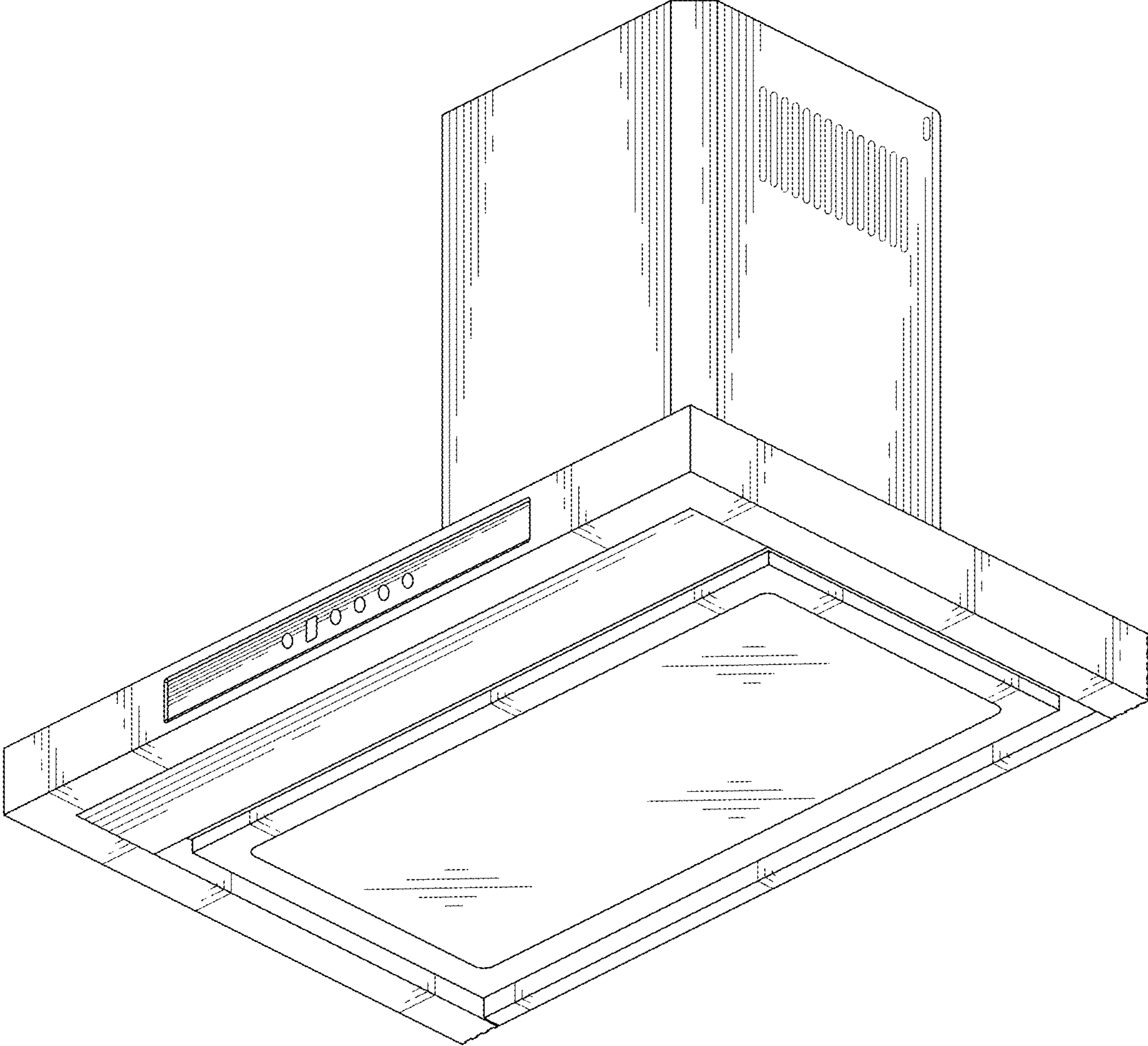


FIG. 1

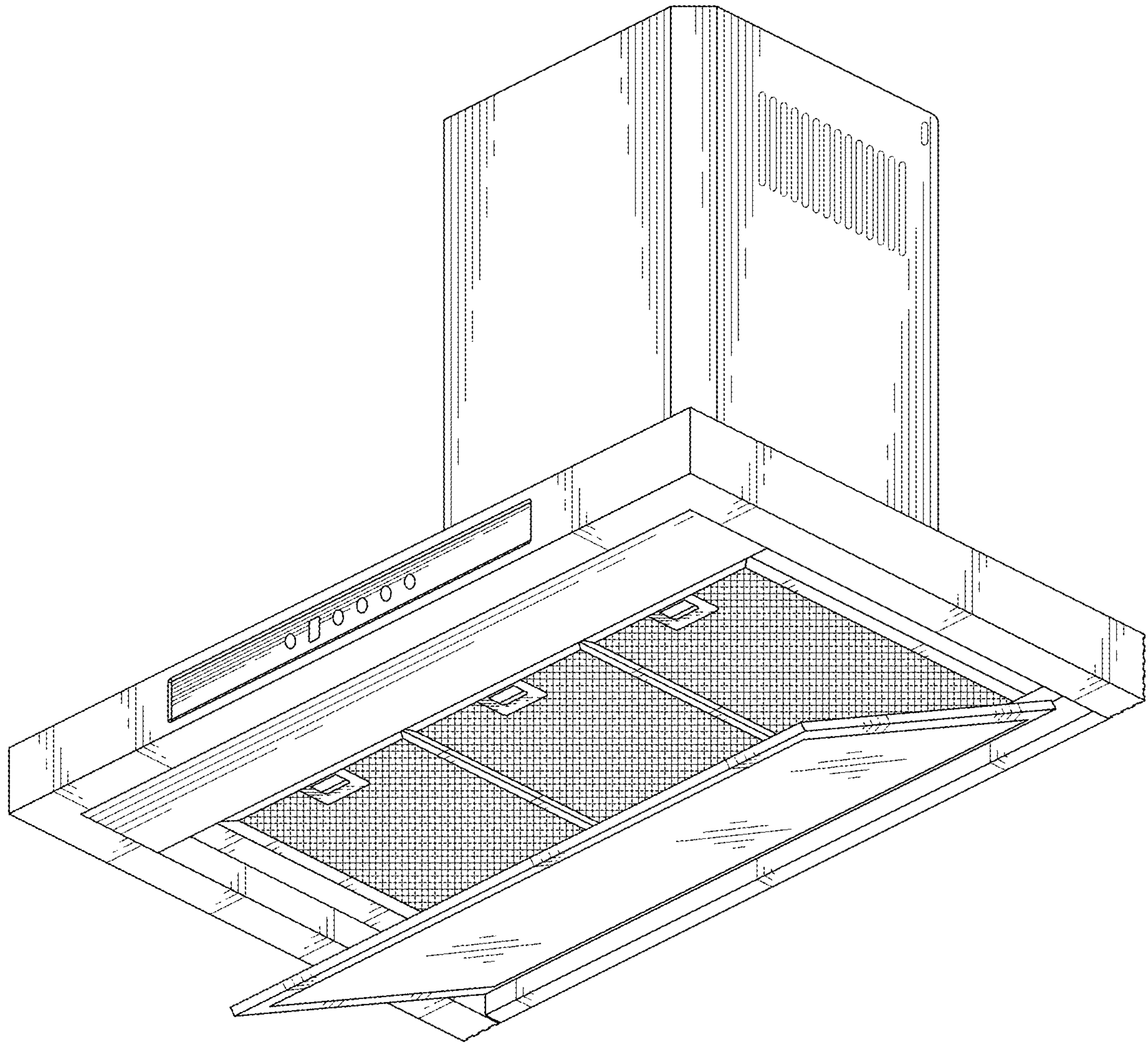


FIG. 2



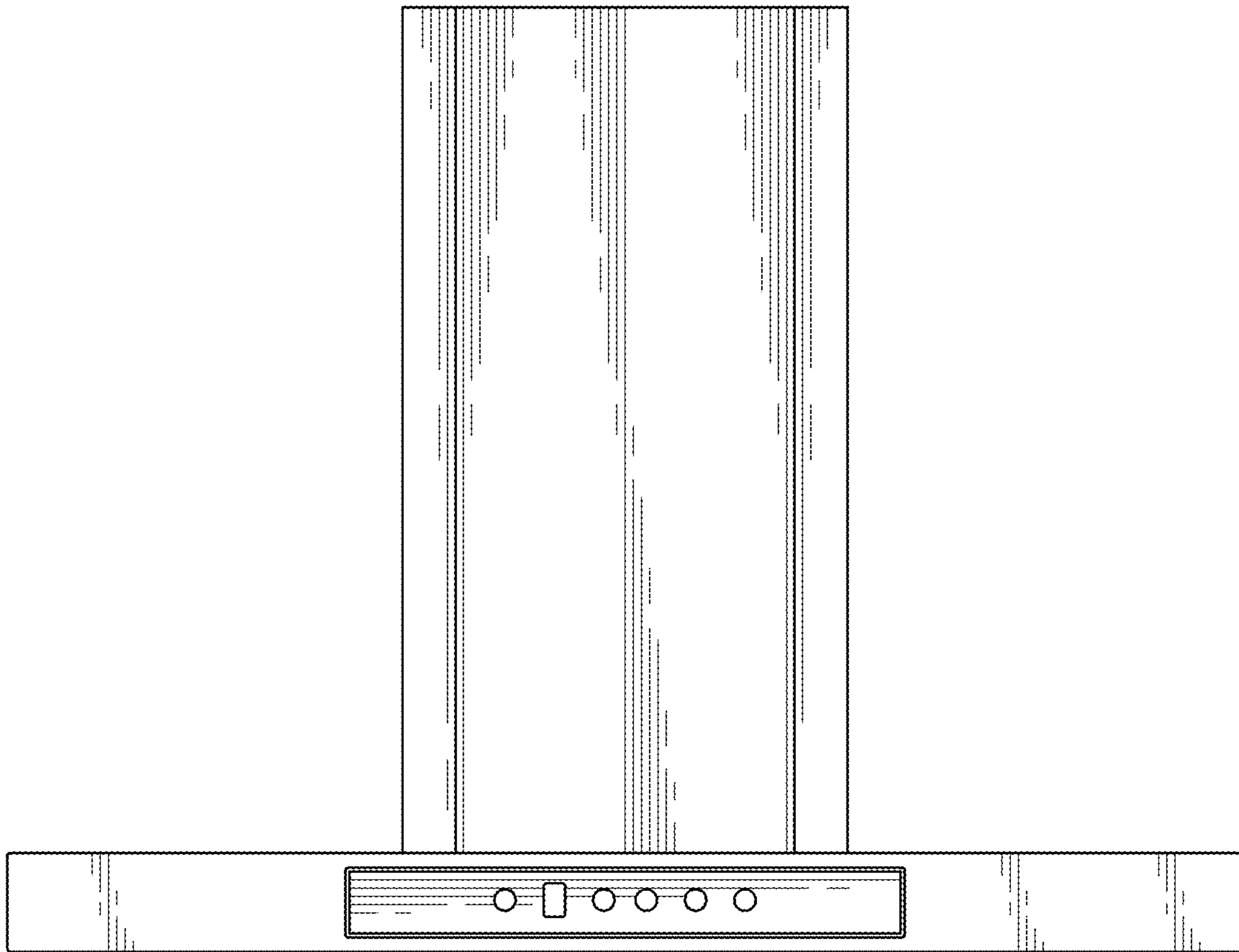


FIG. 3

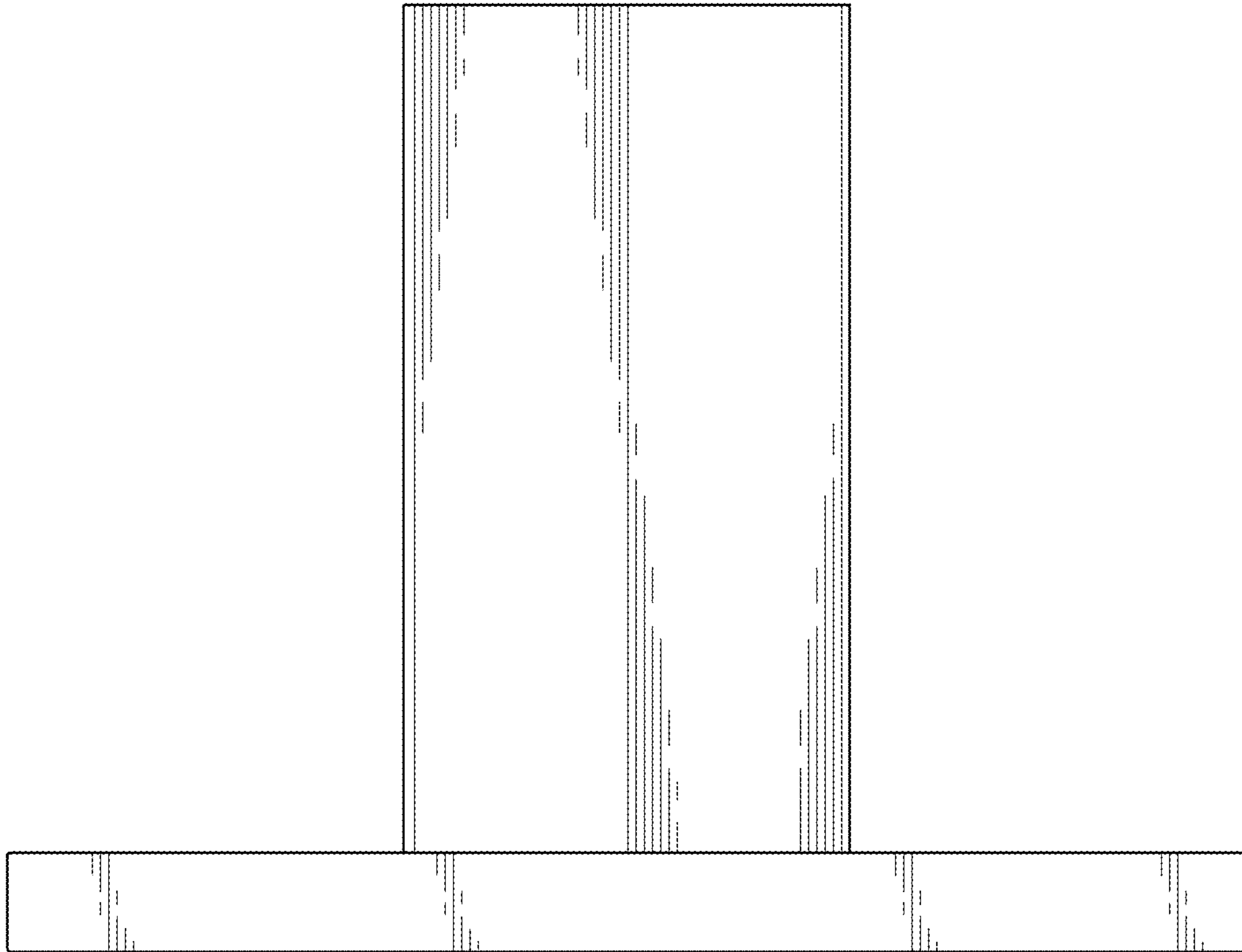


FIG. 4

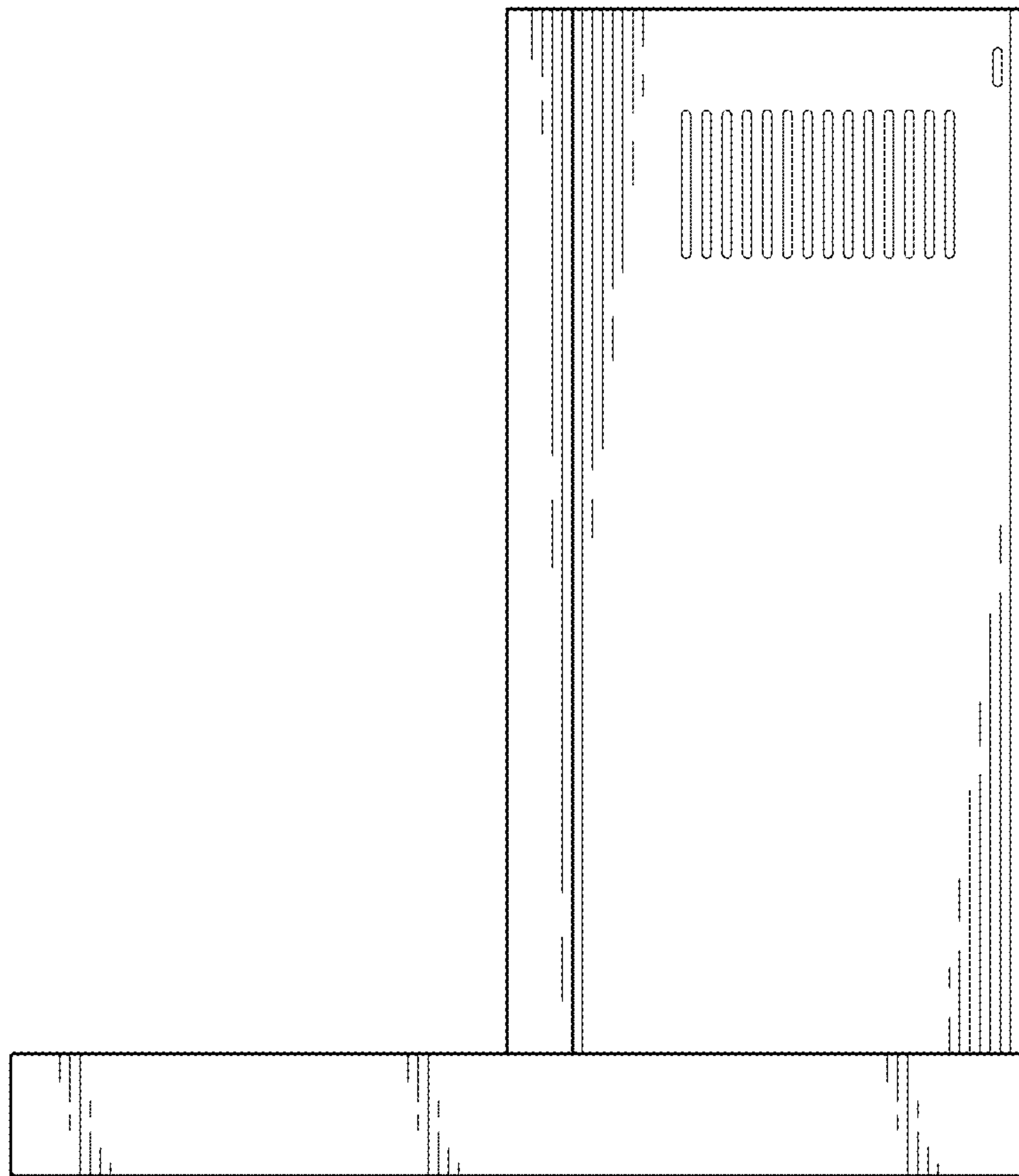


FIG. 5

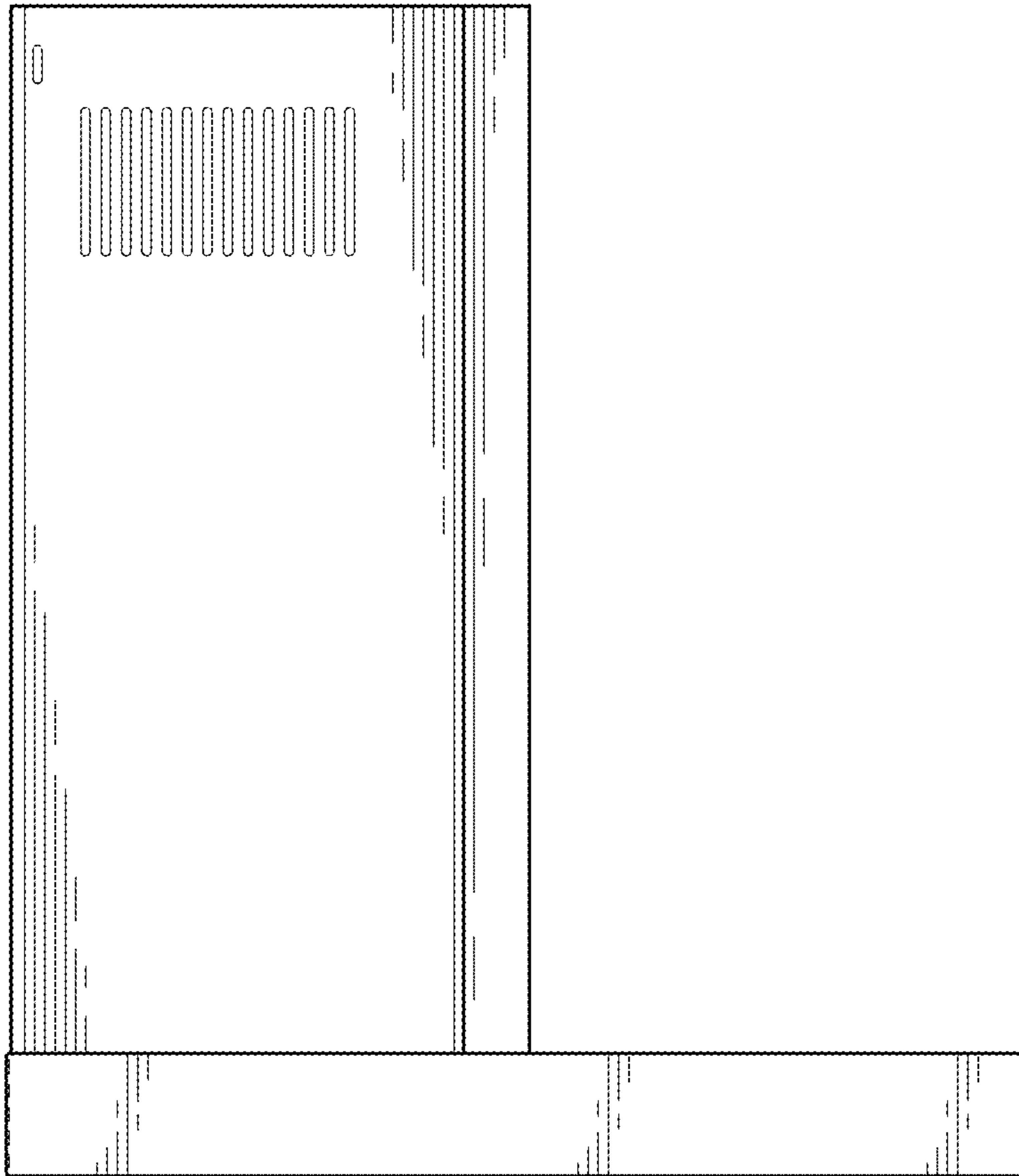


FIG. 6

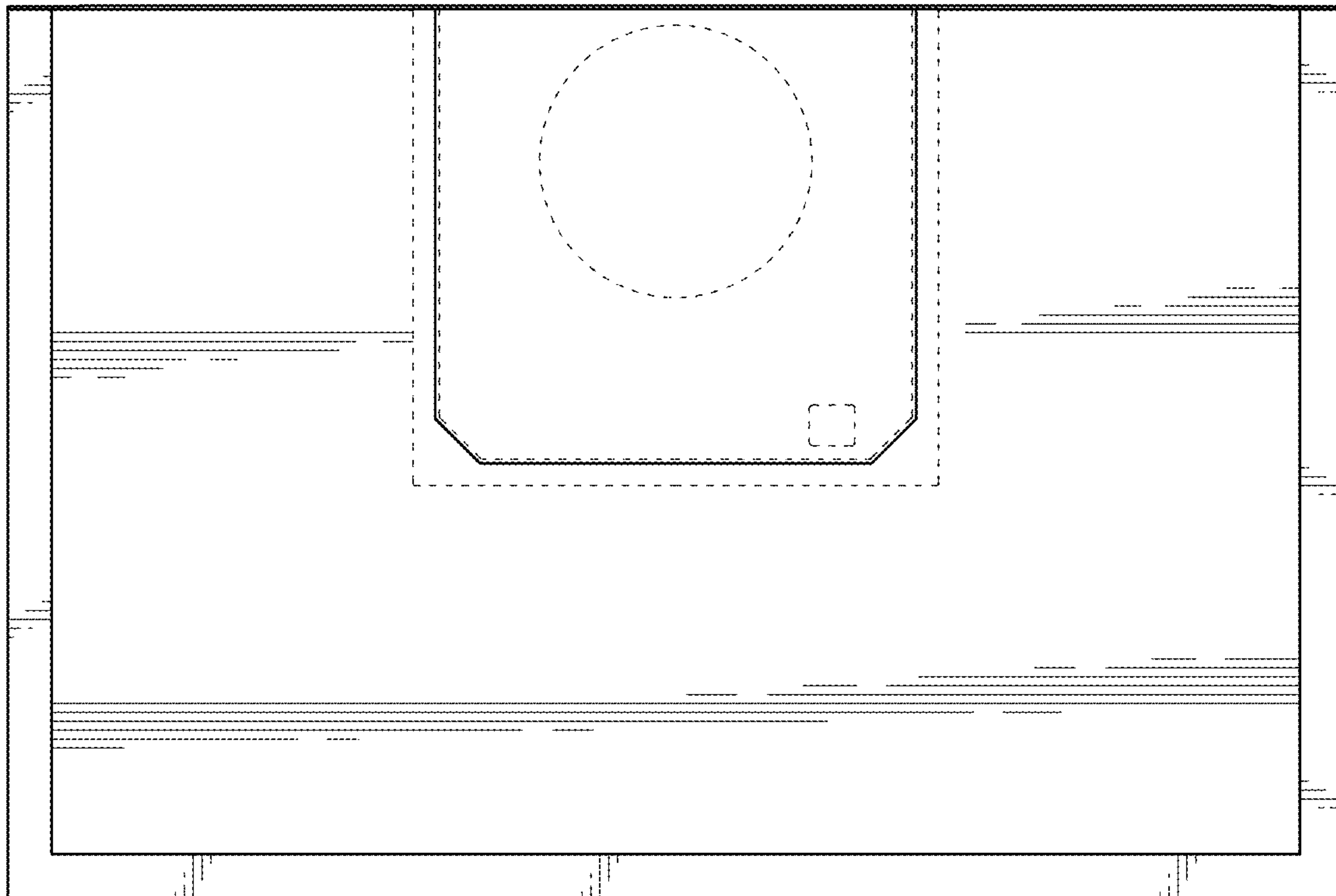


FIG. 7



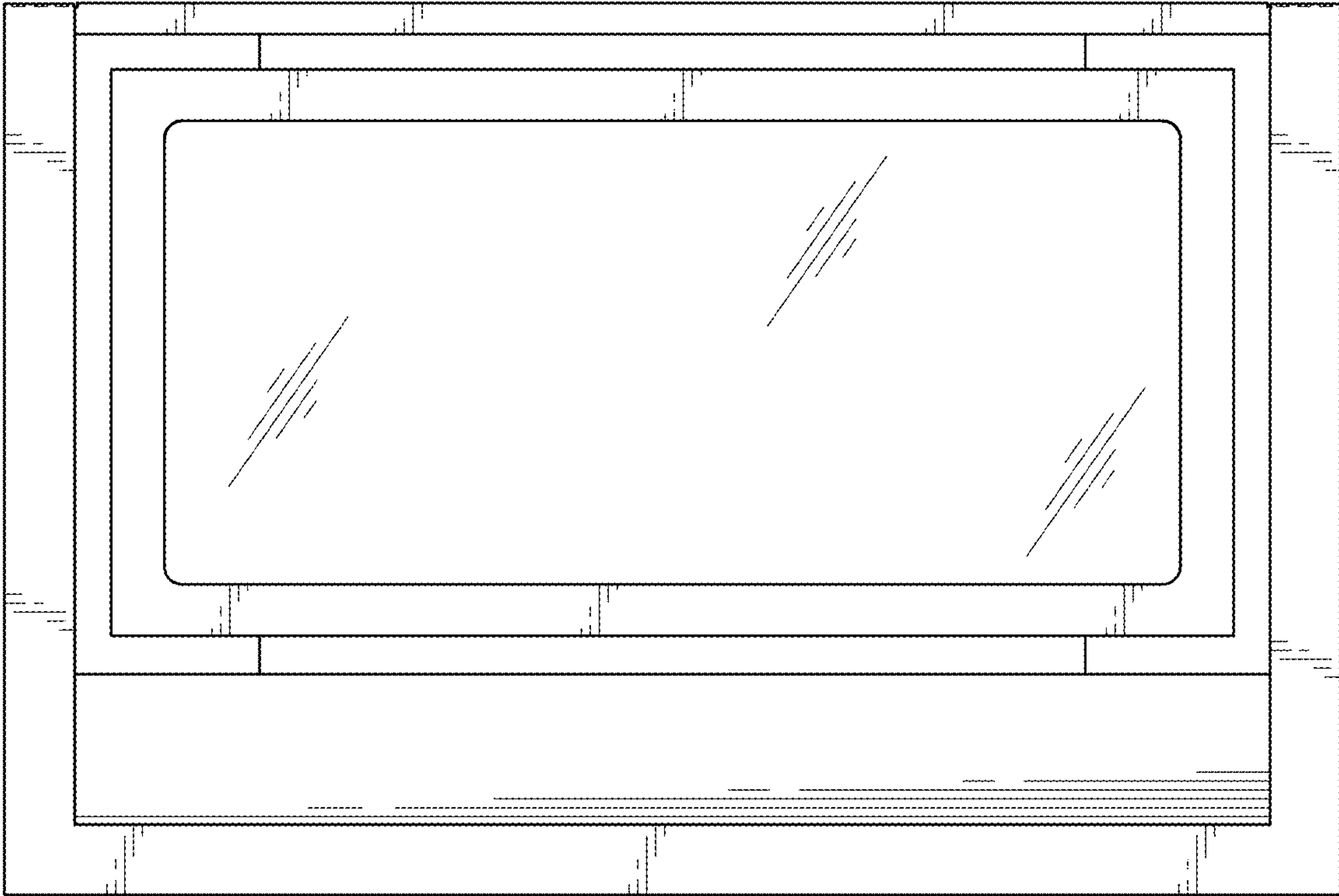


FIG. 8