

US00D944382S

(12) **United States Design Patent**
Zhang

(10) **Patent No.:** **US D944,382 S**
(45) **Date of Patent:** **** Feb. 22, 2022**

(54) **AROMA DIFFUSER**

(71) Applicant: **ALPHEX INC.**, California, CA (US)
(72) Inventor: **Tengmin Zhang**, California, CA (US)
(73) Assignee: **ALPHEX INC.**, California, CA (US)
(**) Term: **15 Years**

(21) Appl. No.: **29/778,713**

(22) Filed: **Apr. 14, 2021**

(51) **LOC (13) Cl.** **23-04**

(52) **U.S. Cl.**
USPC **D23/366**

(58) **Field of Classification Search**
USPC D23/209, 355, 356, 358, 359, 360, 364,
D23/365, 366, 367
CPC . A61L 9/03; A61L 9/012; A61L 9/015; A61L
9/037
See application file for complete search history.

(56) **References Cited**

U.S. PATENT DOCUMENTS

D553,231 S	*	10/2007	Li	D23/366
D588,252 S	*	3/2009	Conway	D11/152
D612,924 S	*	3/2010	Jorgensen	D23/366
D613,390 S	*	4/2010	Jorgensen	D23/366
D755,361 S	*	5/2016	Osborn	D23/366
D803,375 S	*	11/2017	Wu	D23/366
D820,965 S	*	6/2018	Li	D23/366
D865,934 S	*	11/2019	Long	D23/366
D885,548 S		5/2020	Cui		
D913,479 S		3/2021	Yang et al.		
D919,786 S	*	5/2021	Lee	D23/366
D919,787 S	*	5/2021	Lee	D23/366
D919,796 S	*	5/2021	Chen	D23/366
D921,178 S	*	6/2021	Luo	D23/366
D930,139 S	*	9/2021	Yang	D23/366

OTHER PUBLICATIONS

DAROMA™ Glass Essential Oil Diffuser [Dec. 14, 2021] found online [Dec. 14, 2021]—<https://www.daroma.us/products/copy-of-glass-essential-oil-diffuser-wooden-base>.
PURALAND Glass Essential Oil Diffuser [Dec. 14, 2021] found online [Dec. 14, 2021]—<https://www.ebay.com/itm/194078541791?hash=item2d2ffb87df:g:dxMAAOSwADZgi64->.
Young Living Essential Oils Aria Ultrasonic Diffuser [Dec. 14, 2021] found online [Dec. 14, 2021]—https://www.amazon.com/Young-Living-Essential-Ultrasonic-Diffuser/dp/B00HS5B95U/ref=asc_df_B00HS5B95U/?tag=hyprod-20&linkCode=df0&hvadid=229982269588&hvpos=&hvnetw=g&hvrnd=7746395562429385882&hvpone=&hvtwo=&hvqmt=&hvdev=.

* cited by examiner

Primary Examiner — John A Voytek
(74) *Attorney, Agent, or Firm* — ScienBiziP, P.C.

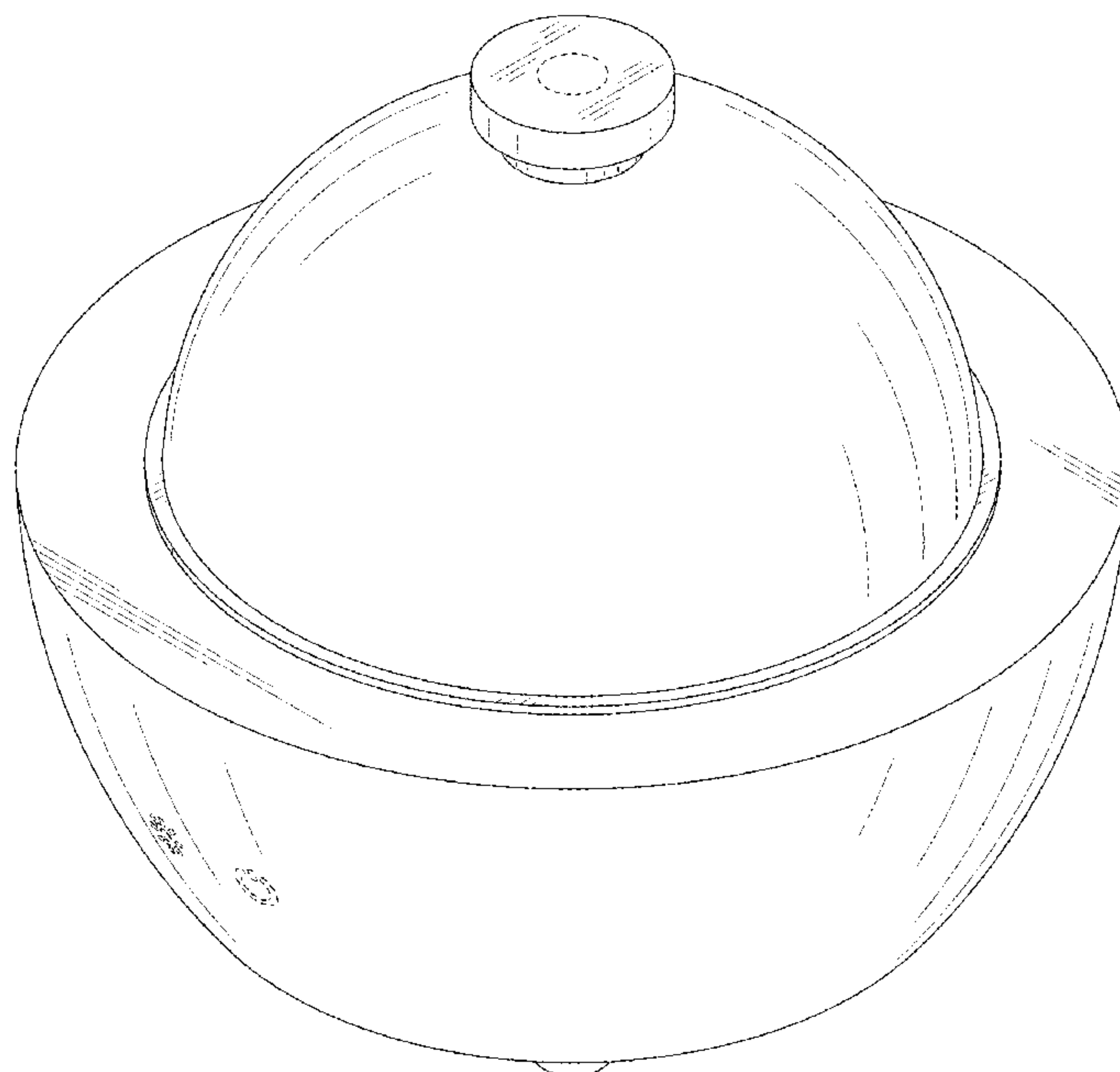
(57) **CLAIM**

The ornamental design for an aroma diffuser, as shown and described.

DESCRIPTION

FIG. 1 is a front, right, and top perspective view of an aroma diffuser, showing my design.
FIG. 2 is a rear, left, and bottom perspective view thereof.
FIG. 3 is a front elevation view thereof.
FIG. 4 is a rear elevation view thereof.
FIG. 5 is a left side elevation view thereof.
FIG. 6 is a right side elevation view thereof.
FIG. 7 is a top plan view thereof; and,
FIG. 8 is a bottom plan view thereof.
The broken lines shown in the drawings are included for the purpose of illustrating portions of the aroma diffuser that form no part of the claimed design.

1 Claim, 8 Drawing Sheets



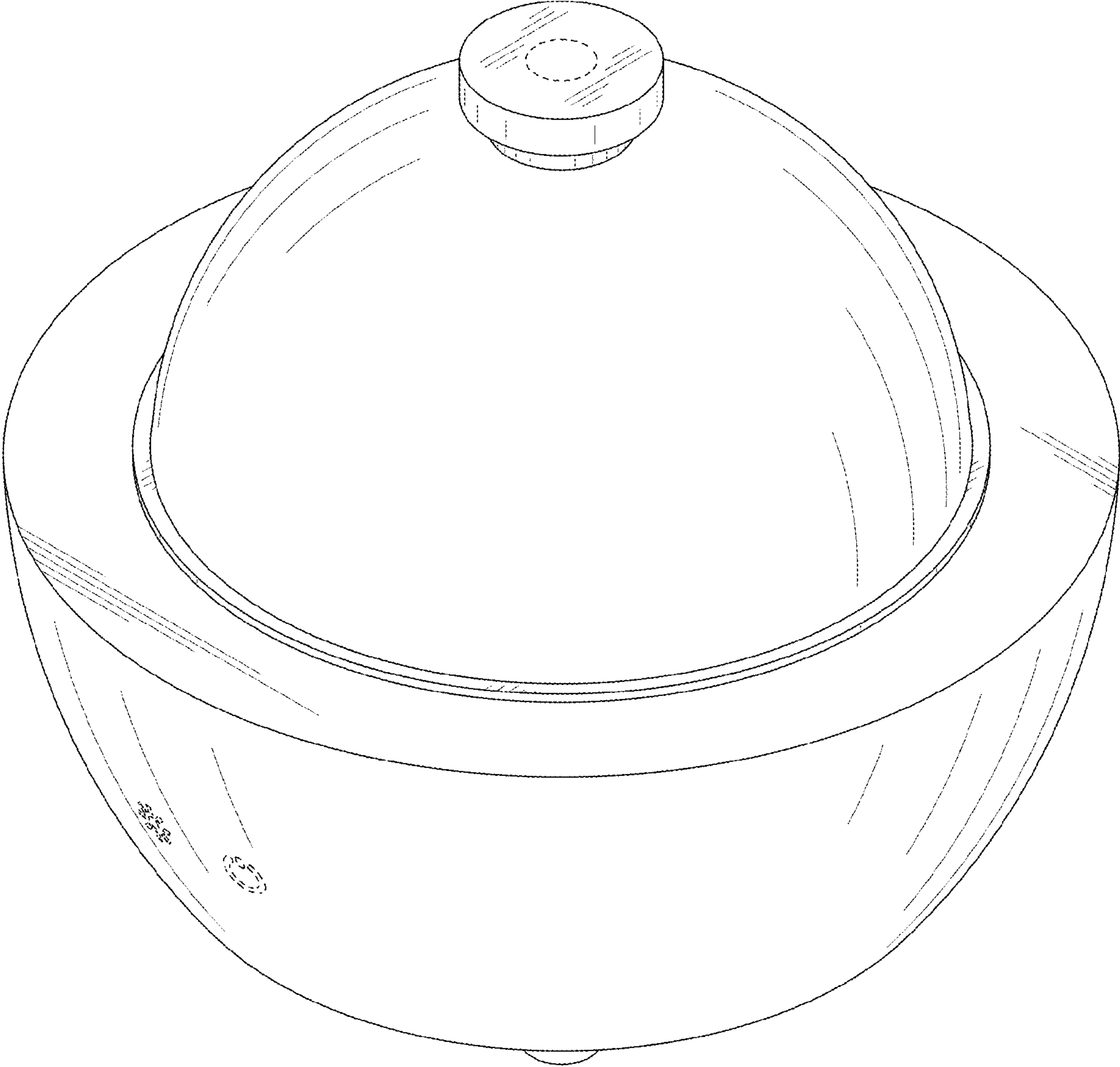


FIG. 1

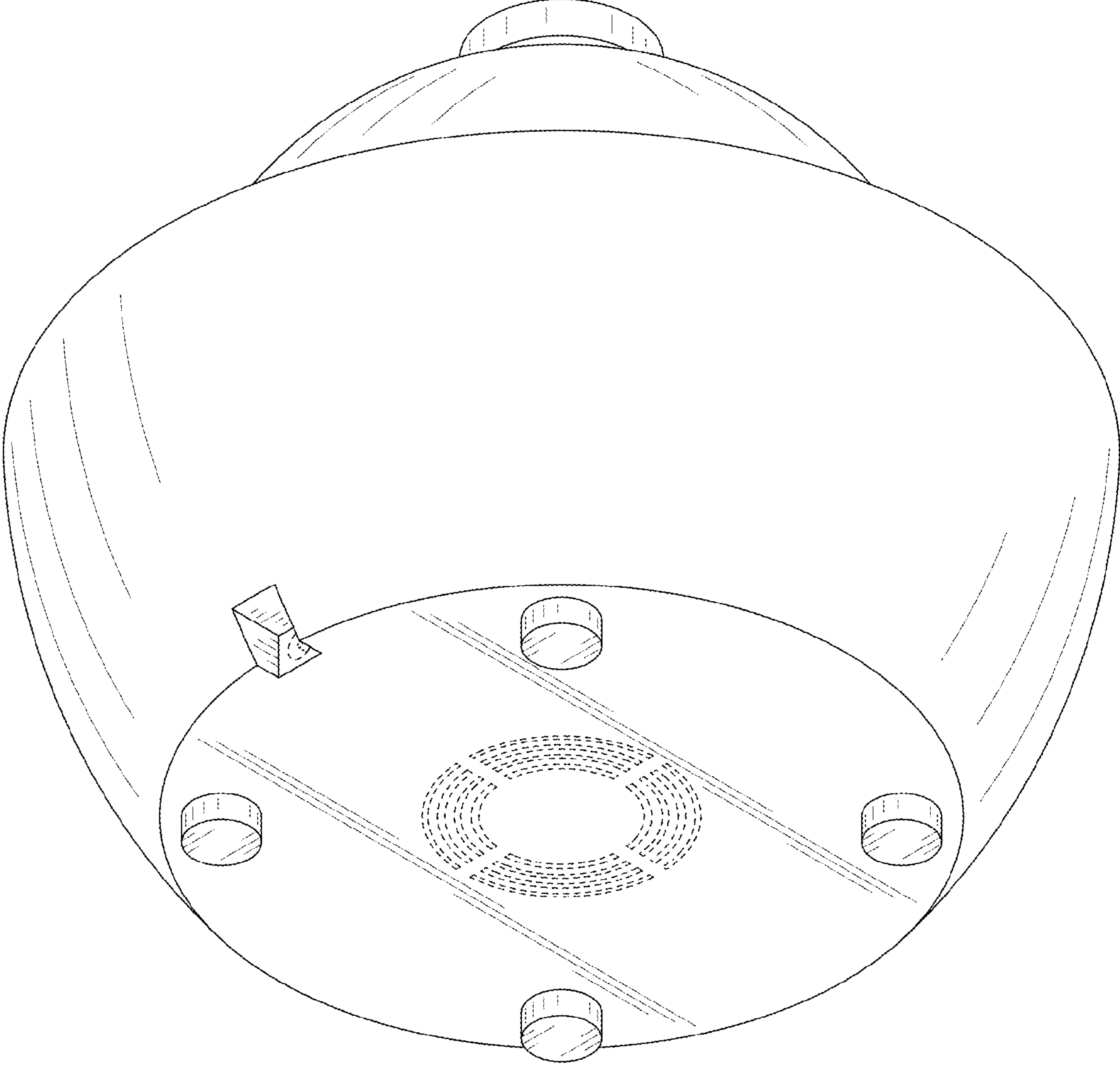


FIG. 2

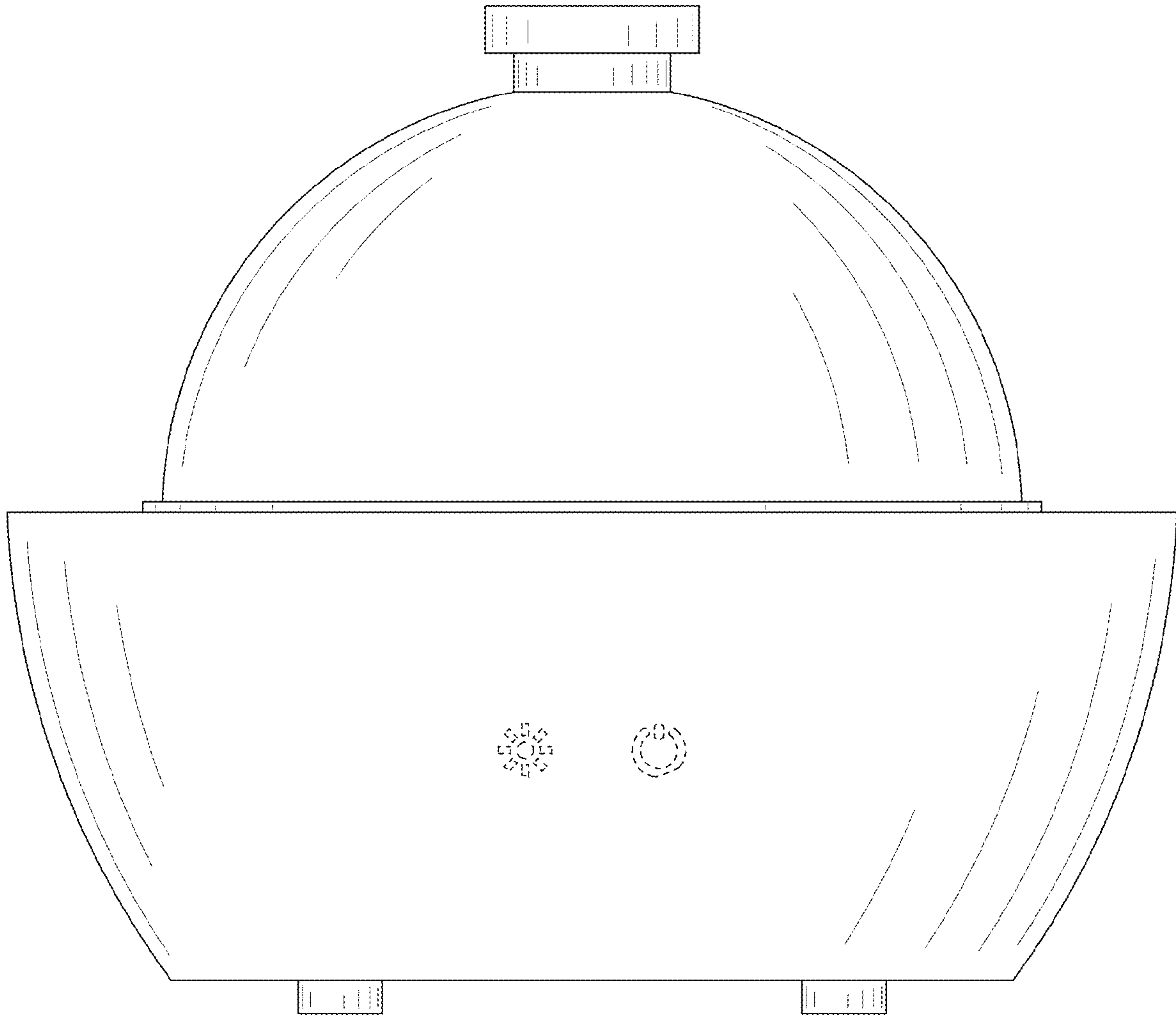


FIG. 3

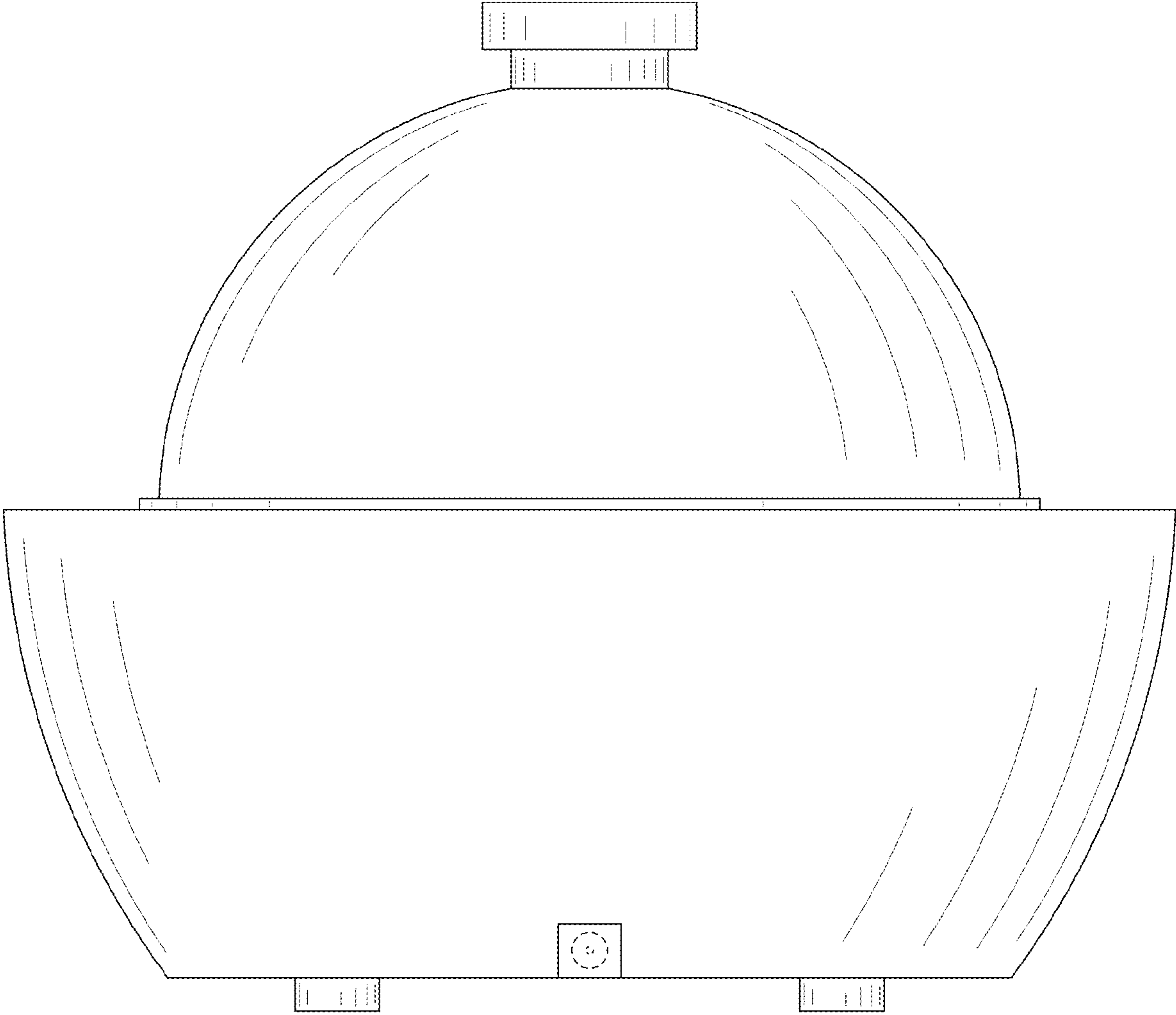


FIG. 4

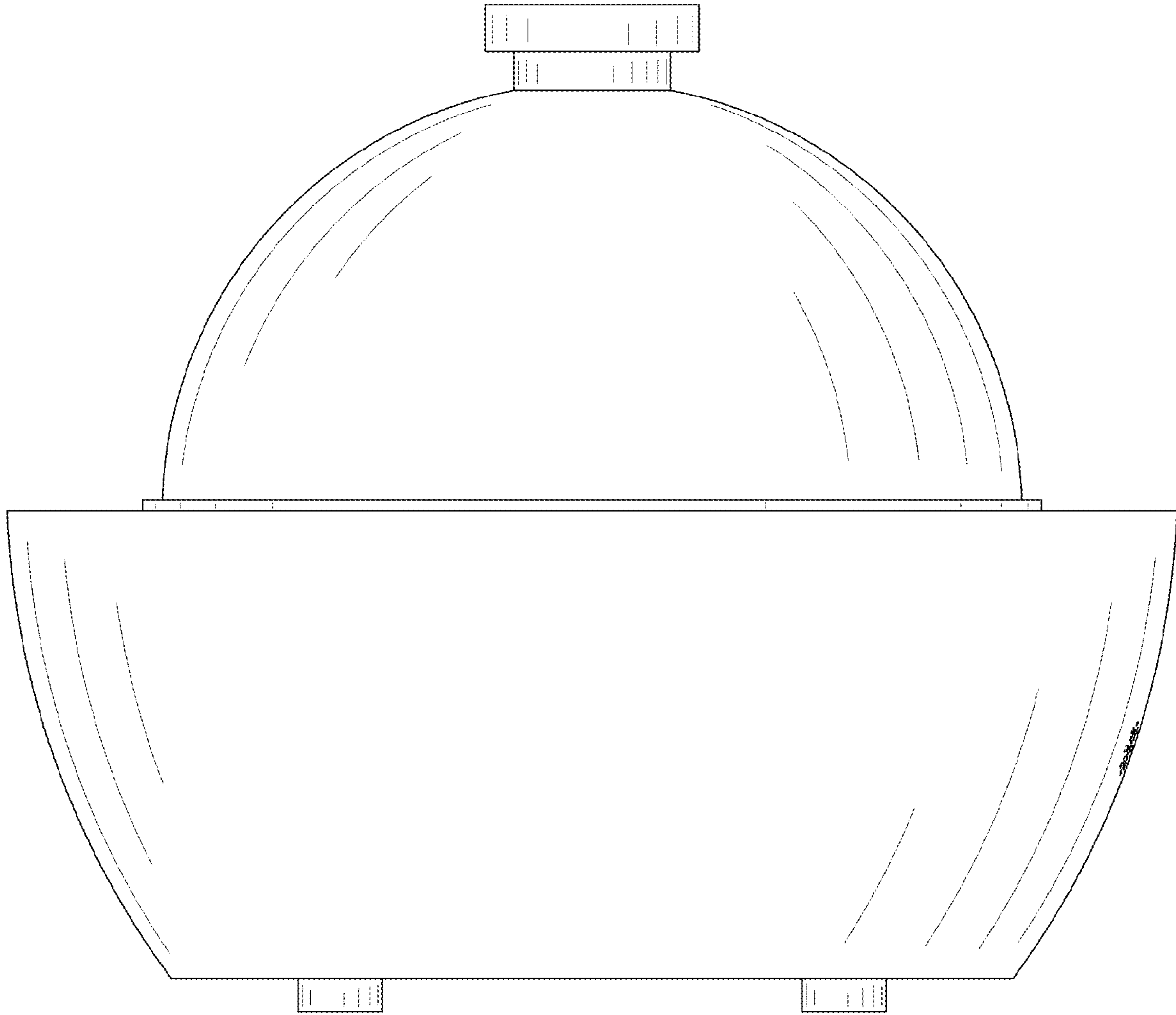


FIG. 5

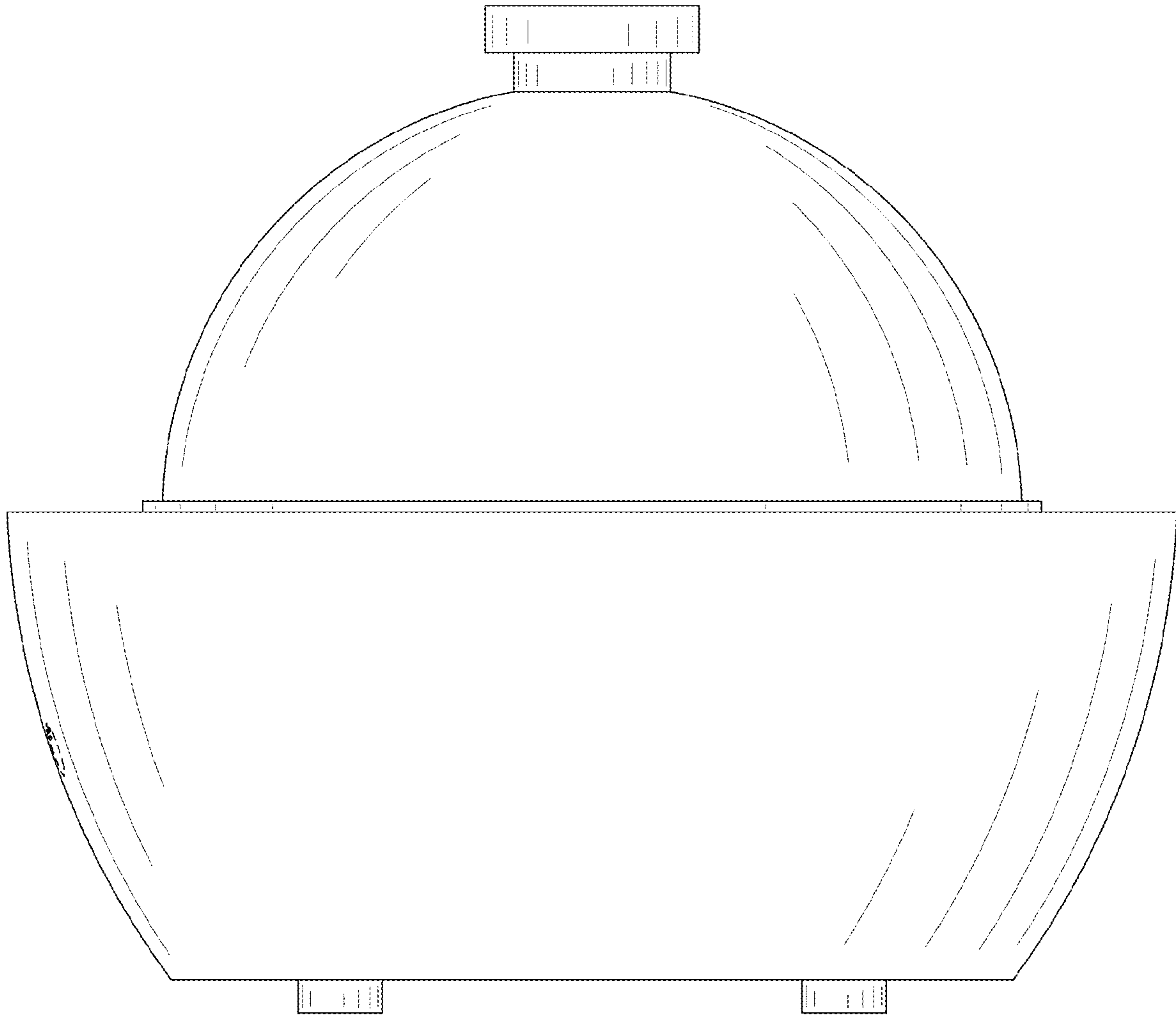


FIG. 6



FIG. 7

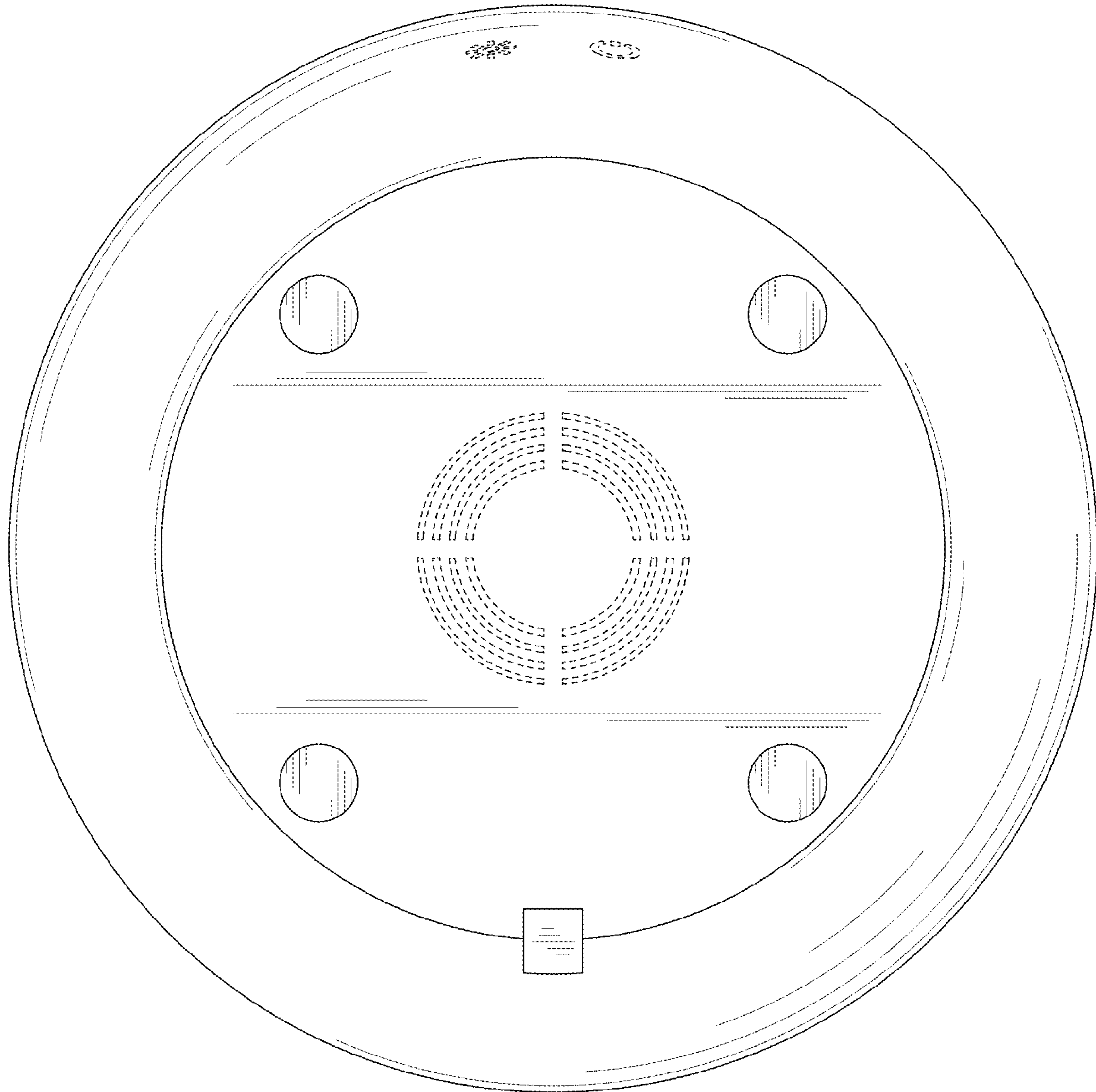


FIG. 8