



US00D944381S

(12) **United States Design Patent**
Harada

(10) **Patent No.:** **US D944,381 S**
(45) **Date of Patent:** **** Feb. 22, 2022**

(54) **MOBILE AIR FILTRATION UNIT**
(71) Applicant: **Kiyoshi Lance Harada**, Draper, UT (US)
(72) Inventor: **Kiyoshi Lance Harada**, Draper, UT (US)
(**) Term: **15 Years**

D625,462 S * 10/2010 Ku D26/128
D751,025 S * 3/2016 Howell D12/319
D763,474 S * 8/2016 Vidal D26/2
D836,608 S * 12/2018 Kim D14/216
2005/0241727 A1* 11/2005 Kosmyna B67C 11/02
141/297
2009/0200393 A1* 8/2009 Avelar A61L 9/03
239/60
2011/0094622 A1* 4/2011 McLoy B67C 11/00
141/340

(21) Appl. No.: **29/737,800**
(22) Filed: **Jun. 11, 2020**
(51) **LOC (13) Cl.** **23-04**
(52) **U.S. Cl.**
USPC **D23/365**
(58) **Field of Classification Search**
USPC D7/509, 523, 601, 604, 700; D14/188, D14/194, 195, 197, 204, 209.1, 209, 210, D14/215, 216, 221, 228; D23/355-369; D28/5, 6; D32/29.1; 99/323; 239/34-36, 44, 45, 53, 56, 57, 60, 136, 239/152, 302, 326; 261/DIG. 17, 261/DIG. 42, DIG. 65, DIG. 88, DIG. 89; 392/386, 390, 392, 394, 395; 426/104; D21/483; D9/645, 738, 744; D26/36, D26/40, 49, 123, 124, 128; D12/319, D12/326, 328, 330, 344
CPC A61L 9/03; A61L 9/12; A61L 9/15; A61L 9/032; A61L 9/035; A61L 9/037; A01M 1/2044; B01D 1/00; B05B 7/1686; F41J 1/01; B64C 39/024; B64C 2201/20; B64C 2201/024; B65D 1/12; B65D 1/16; B65D 1/165; B65D 21/02; B65D 21/0233; B65D 21/04; A63H 27/04; A63H 27/061
See application file for complete search history.

(56) **References Cited**
U.S. PATENT DOCUMENTS
3,765,117 A * 10/1973 Gibson, Sr. A01K 83/00
43/42.1
D447,915 S * 9/2001 Lefroy-Brooks D7/507

OTHER PUBLICATIONS

Seller kaidi55 (176386) . "Silicone Mold." www.ebay.com. Silicone Cone Mold for Resin Epoxy Casting Jewelry Making Mould DIY Craft Tools. Wed. Oct. 6, 2021. Shown in p. 1, eBay item No. 253177263095. (Year: 2019).*

* cited by examiner

Primary Examiner — Gino Colan
Assistant Examiner — Dave Obrien

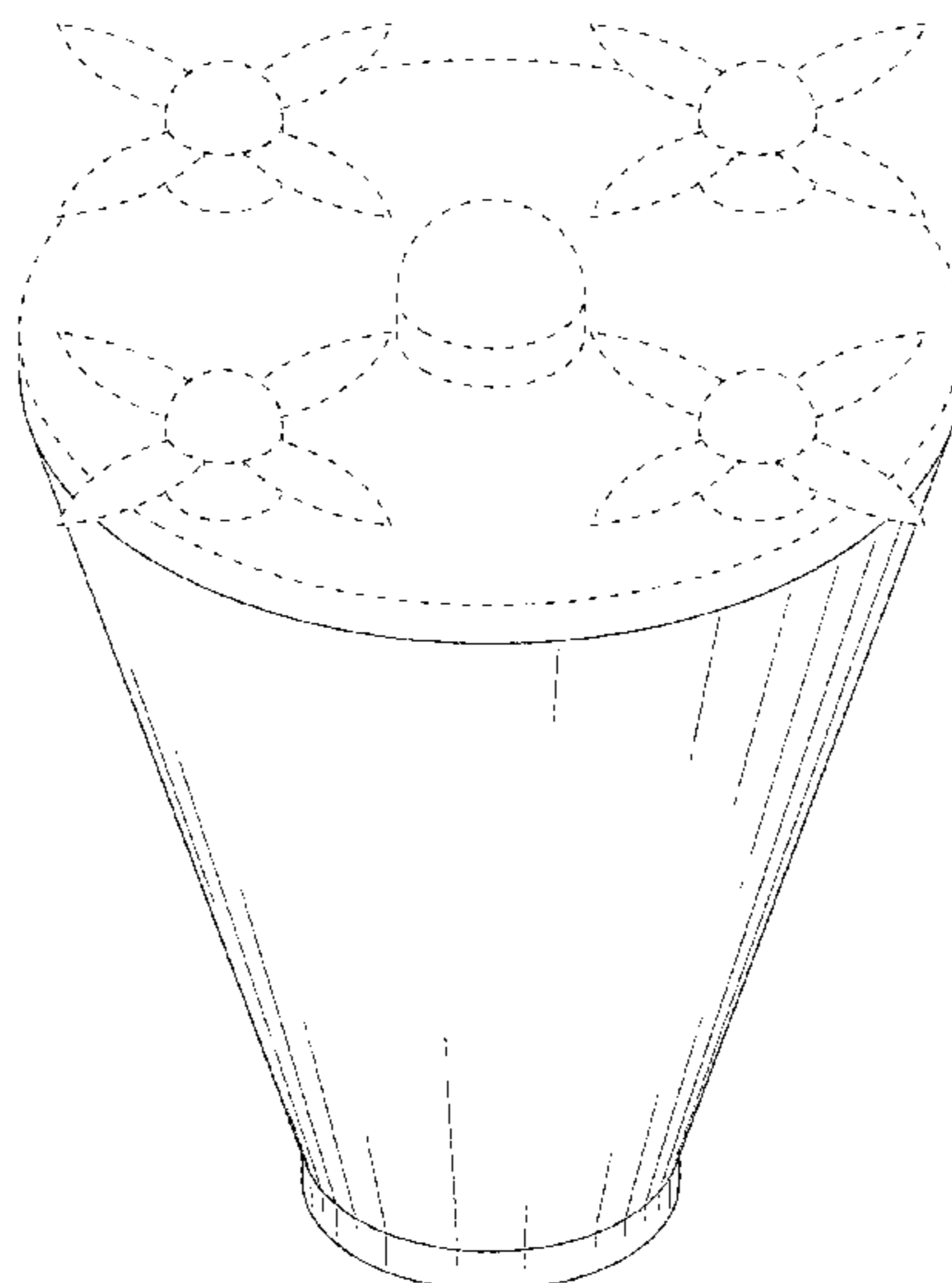
(57) **CLAIM**

The ornamental design for a mobile air filtration unit, as shown and described.

DESCRIPTION

FIG. 1 is a top perspective view of a mobile air filtration unit showing my new design;
FIG. 2 is a bottom perspective view thereof;
FIG. 3 is a front elevated view thereof;
FIG. 4 is a rear elevated view thereof;
FIG. 5 is a top plan view thereof;
FIG. 6 is a bottom plan view thereof;
FIG. 7 is a left elevated view thereof; and,
FIG. 8 is a right elevated view thereof.
The broken lines showing of an aerial vehicle in FIG. 1-8 are included for the purpose of showing environmental structure and form no part of the claimed design.

1 Claim, 8 Drawing Sheets



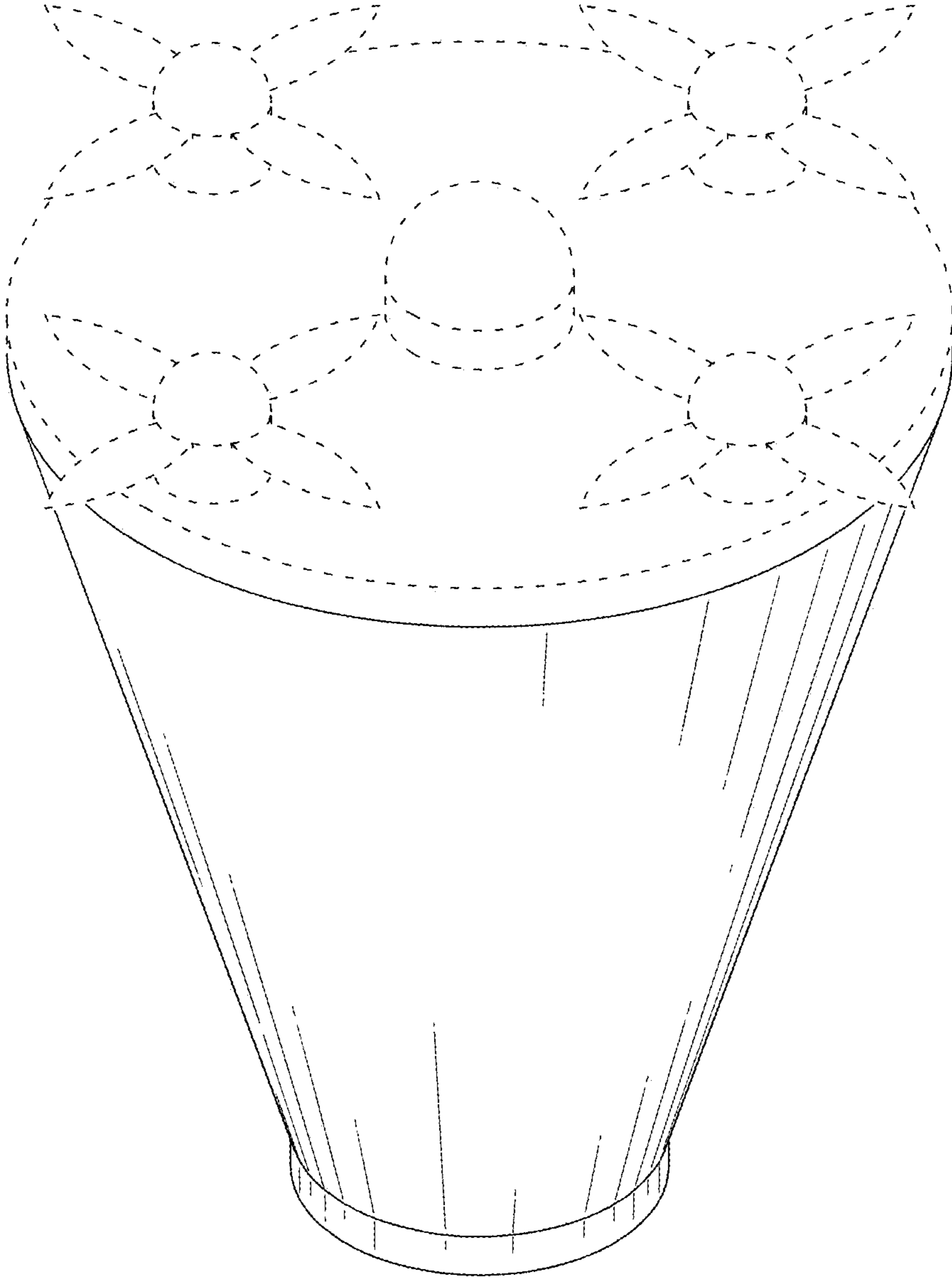


FIG. 1

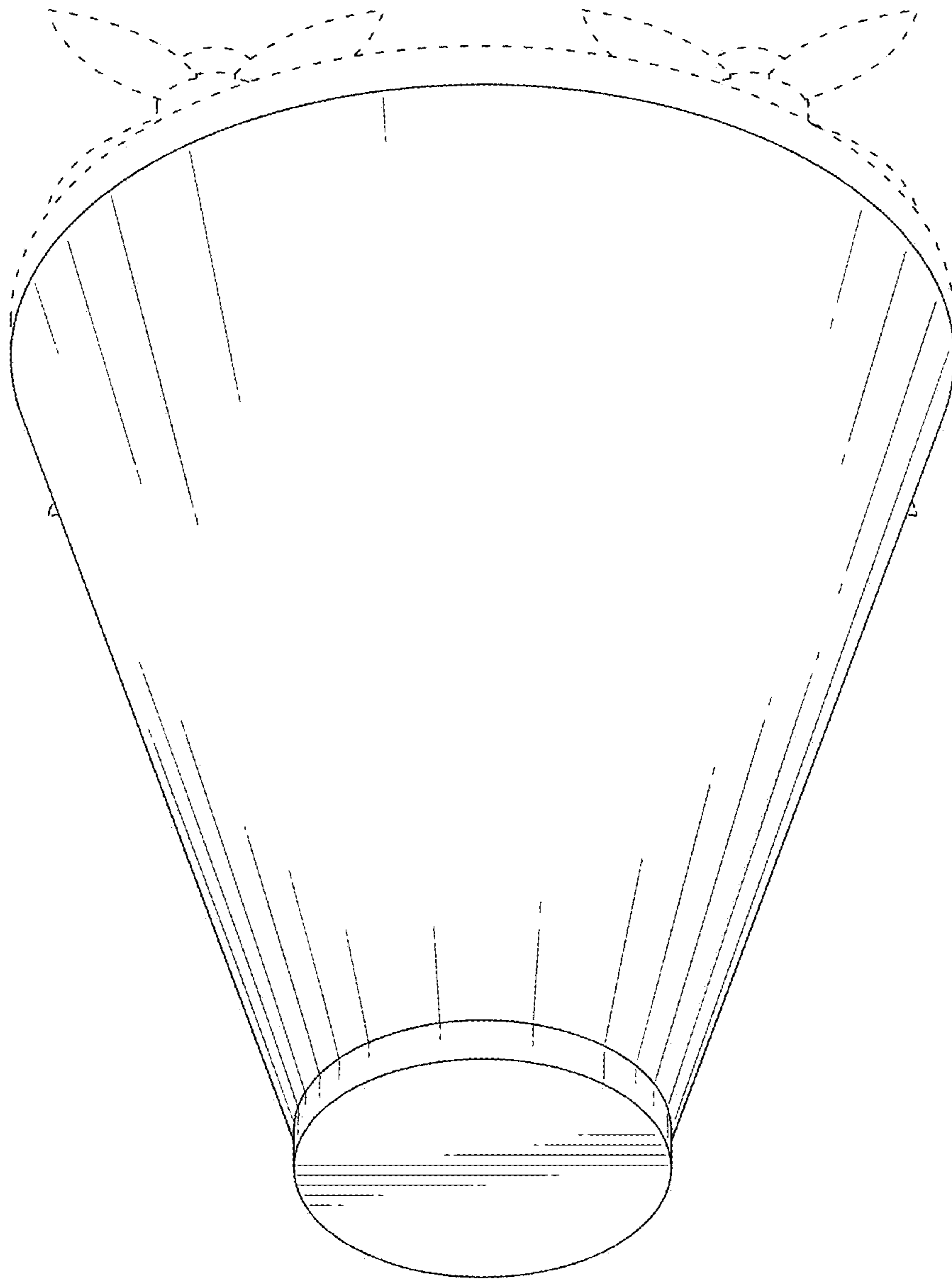


FIG. 2

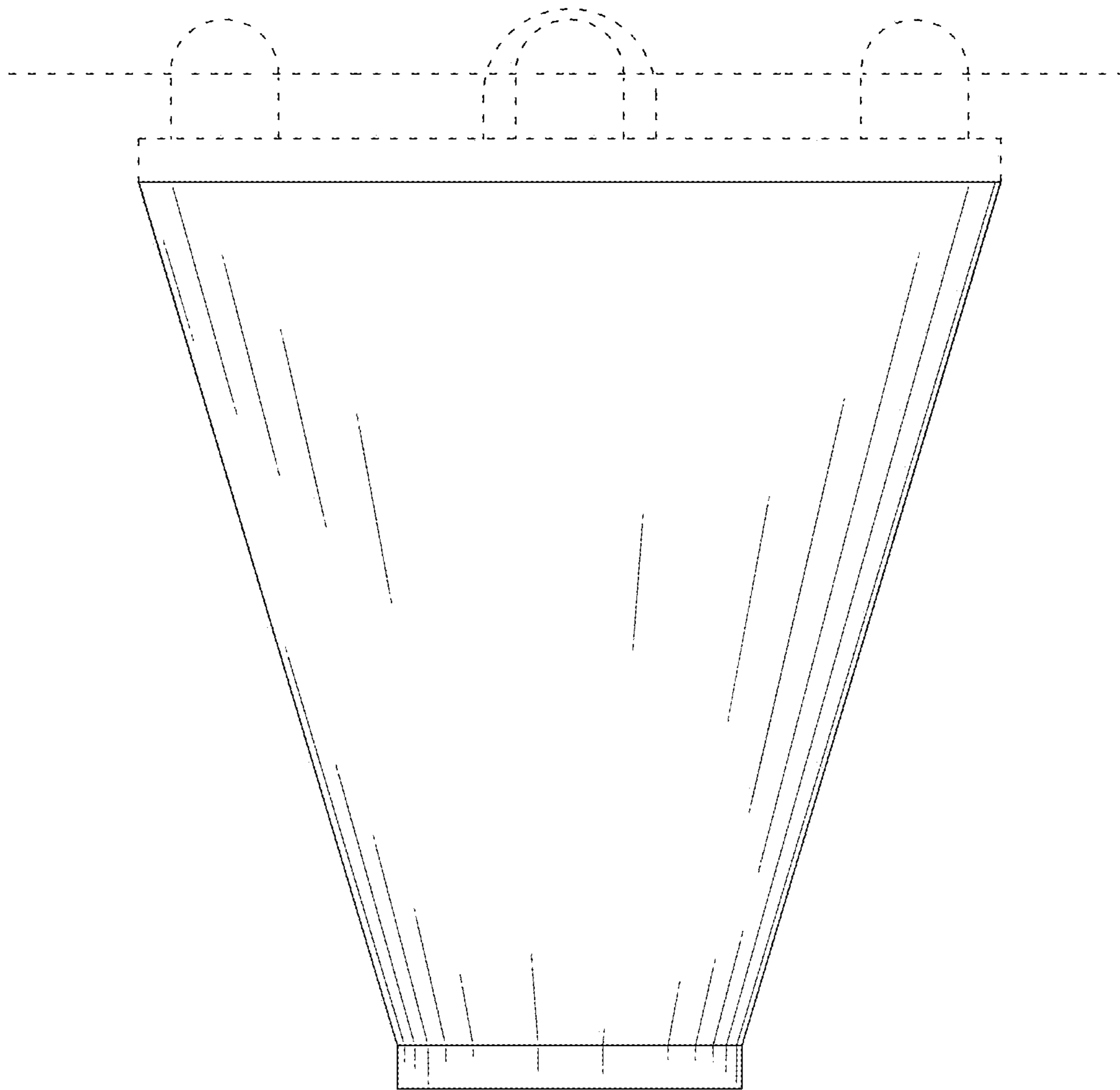


FIG. 3

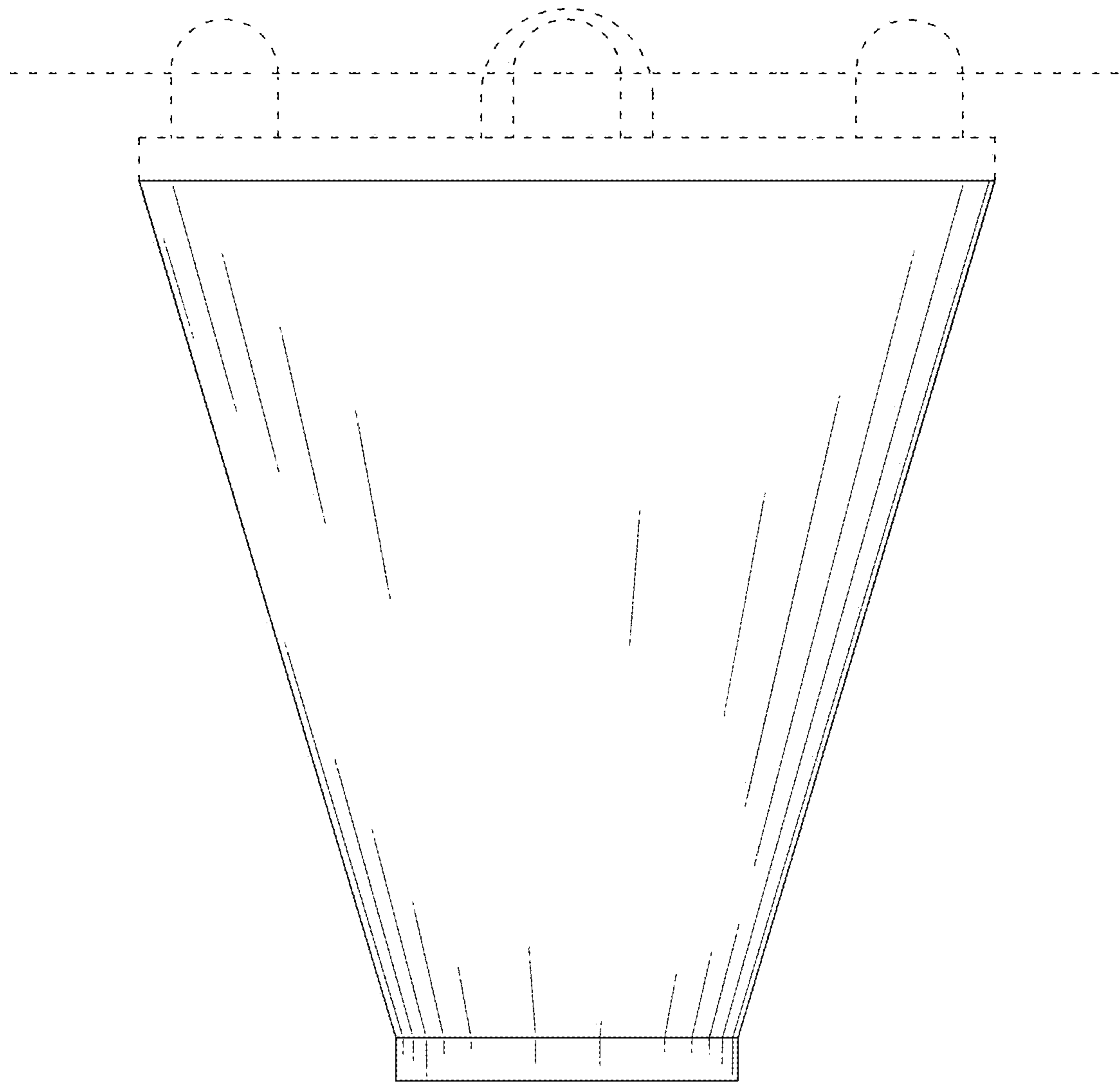


FIG. 4

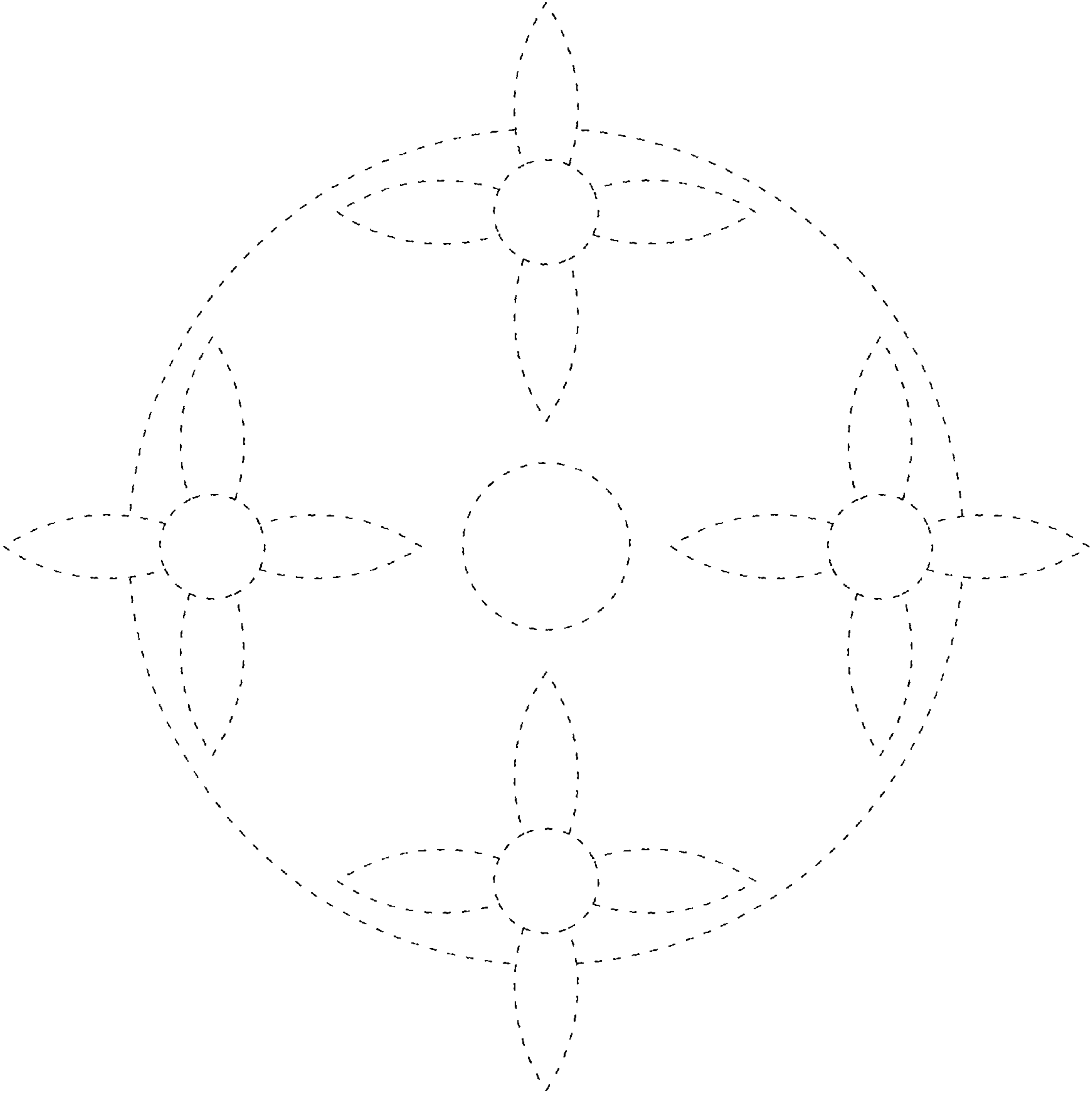


FIG. 5

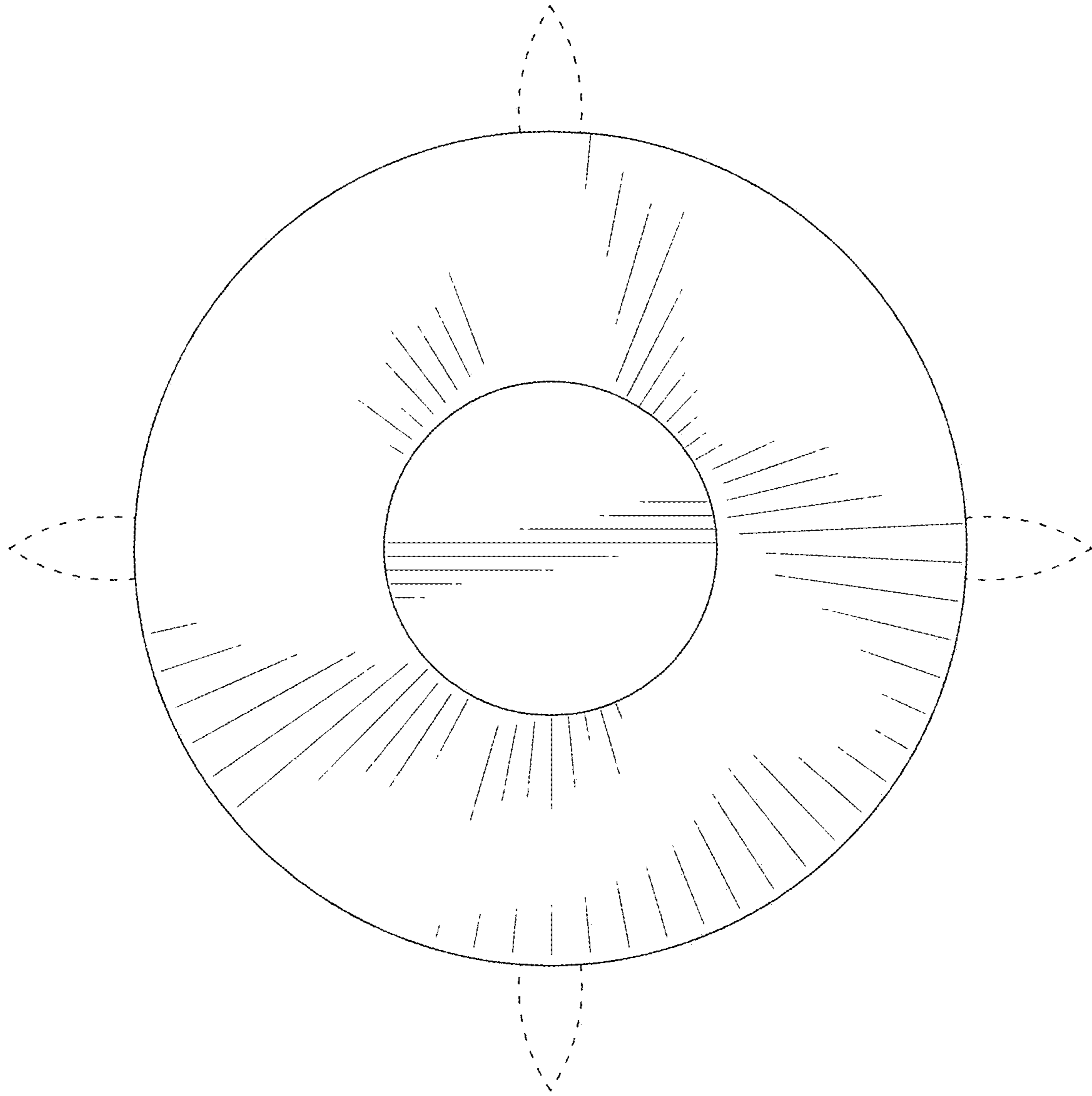


FIG. 6

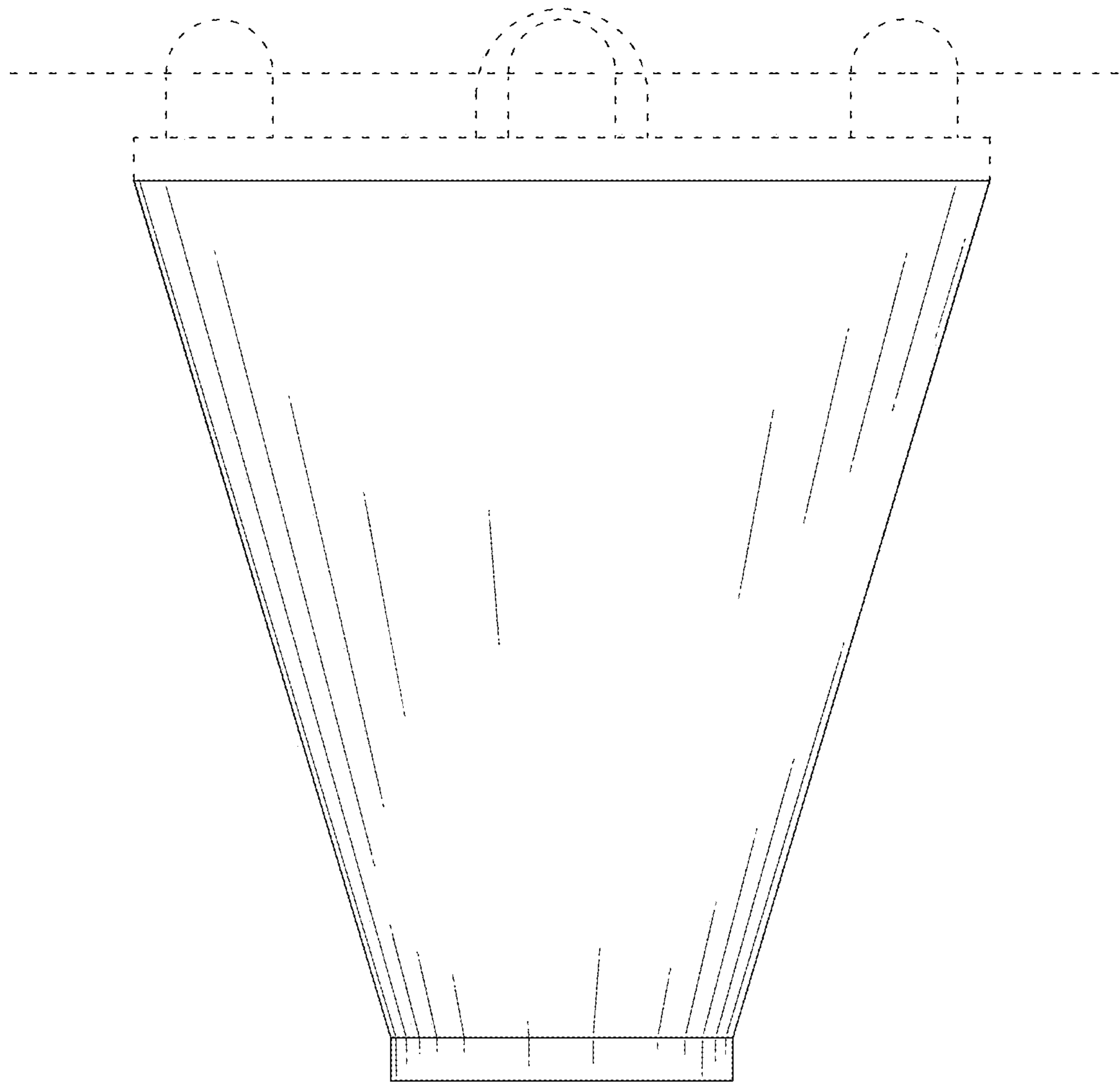


FIG. 7

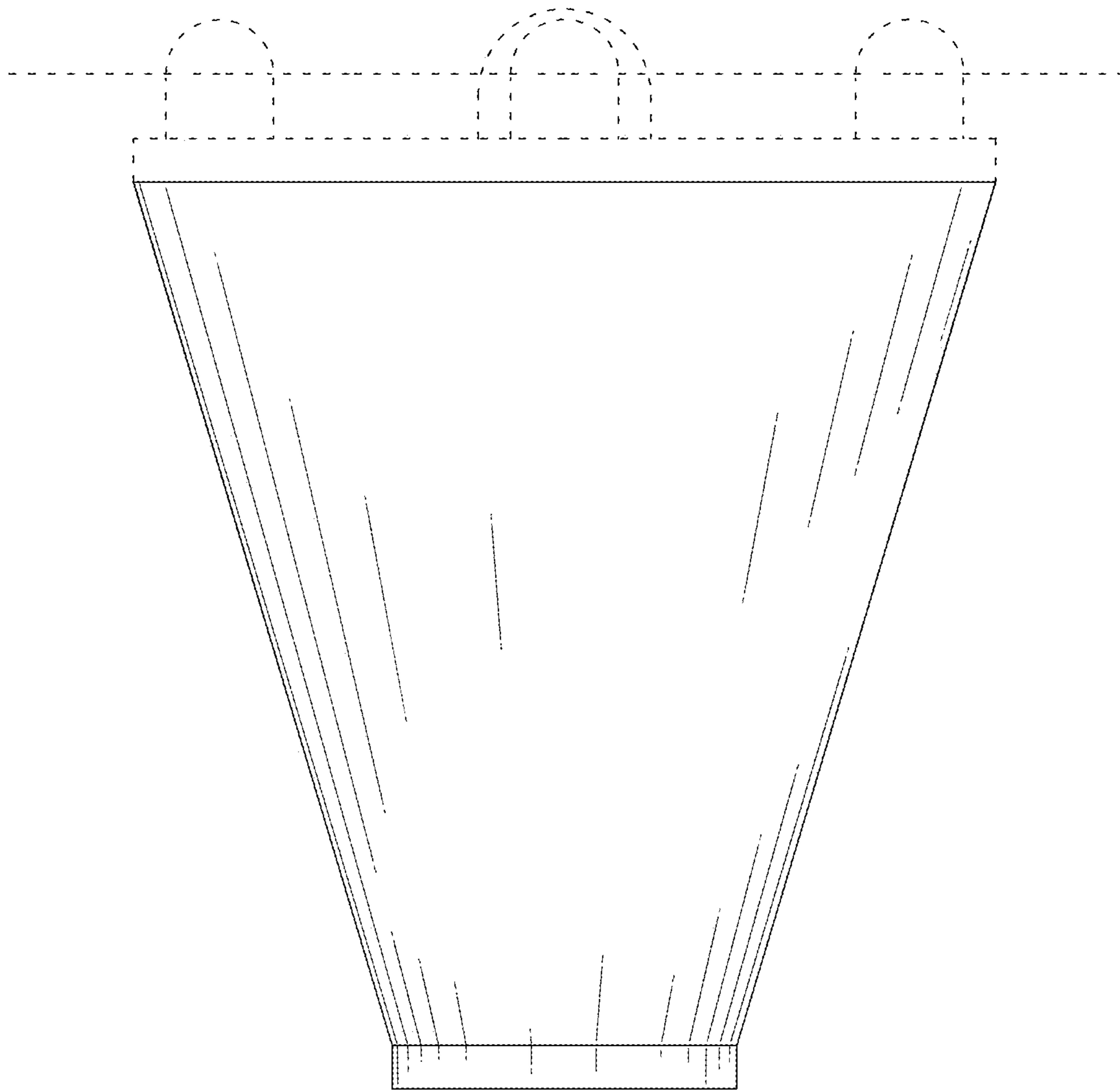


FIG. 8