

US00D944379S

(12) **United States Design Patent**
Li et al.

(10) **Patent No.:** **US D944,379 S**
(45) **Date of Patent:** **** Feb. 22, 2022**

(54) **VEHICLE AIR PURIFIER**
(71) Applicant: **3M INNOVATIVE PROPERTIES COMPANY**, St. Paul, MN (US)
(72) Inventors: **Man Li**, Shanghai (CN); **Liliang Liu**, Shanghai (CN); **Chao Ren**, Suzhou (CN)
(73) Assignee: **3M INNOVATIVE PROPERTIES COMPANY**, St. Paul, MN (US)

D832,414 S * 10/2018 Sharma D23/364
D835,766 S * 12/2018 Chen D23/364
D836,760 S * 12/2018 Fredang D23/364
D865,149 S * 10/2019 Lin D23/364
D870,870 S * 12/2019 Copparstad D23/351
D884,138 S * 5/2020 Chen D23/366
D884,860 S * 5/2020 Zhang D23/351
D884,863 S * 5/2020 Semerak D23/364
D885,540 S * 5/2020 Meng D23/335
D886,268 S * 6/2020 Montagnino D23/356
D886,272 S * 6/2020 Yang D23/364

(**) Term: **15 Years**
(21) Appl. No.: **29/687,076**
(22) Filed: **Apr. 10, 2019**

FOREIGN PATENT DOCUMENTS

CN 304421833 12/2017

* cited by examiner

Primary Examiner — David G Muller
(74) *Attorney, Agent, or Firm* — 3M IPC

(30) **Foreign Application Priority Data**

Oct. 12, 2018 (CN) 201830571118.9

(51) **LOC (13) Cl.** **24-02**
(52) **U.S. Cl.**
USPC **D23/364**

(57) **CLAIM**

The ornamental design for a vehicle air purifier, as shown and described.

(58) **Field of Classification Search**
USPC D23/355–366, 352, 369, 332, 333, 335, D23/336, 342, 351; 422/120, 122; 55/356, 473, 504; 96/97; D14/188, 170, D14/171, 172; 261/DIG. 17, DIG. 65, 261/DIG. 88, DIG. 31; D18/34.6
CPC .. A61L 9/16; A61L 9/22; B01D 47/00; B01D 47/027; B01D 2221/02; B01D 2259/4508; B03C 3/155; B03C 3/368; F24F 3/16; F24F 13/20; F24F 13/28; F24F 2001/0096
See application file for complete search history.

DESCRIPTION

FIG. 1 is a perspective view of a vehicle air purifier embodying the new design;
FIG. 2 is a front view thereof;
FIG. 3 is a rear view thereof;
FIG. 4 is a left side view thereof;
FIG. 5 is a right side view thereof;
FIG. 6 is a top view thereof; and,
FIG. 7 is a bottom view thereof.

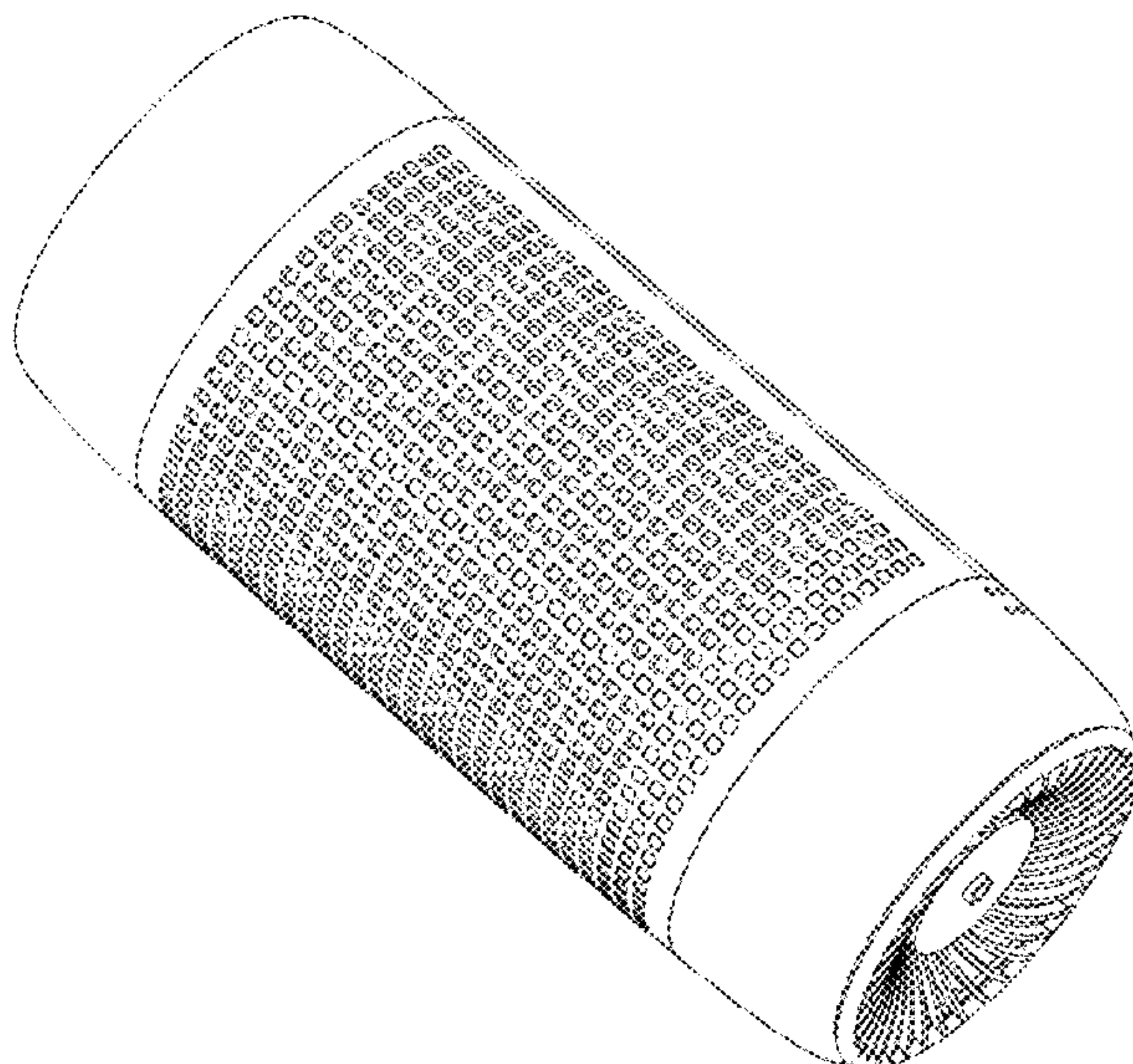
The broken line showing of parts of the drawings is included for the purpose of illustrating use and environment and forms no part of the claimed design.

(56) **References Cited**

U.S. PATENT DOCUMENTS

D818,098 S * 5/2018 Cho D23/364
D831,811 S * 10/2018 Cho D23/364

1 Claim, 3 Drawing Sheets



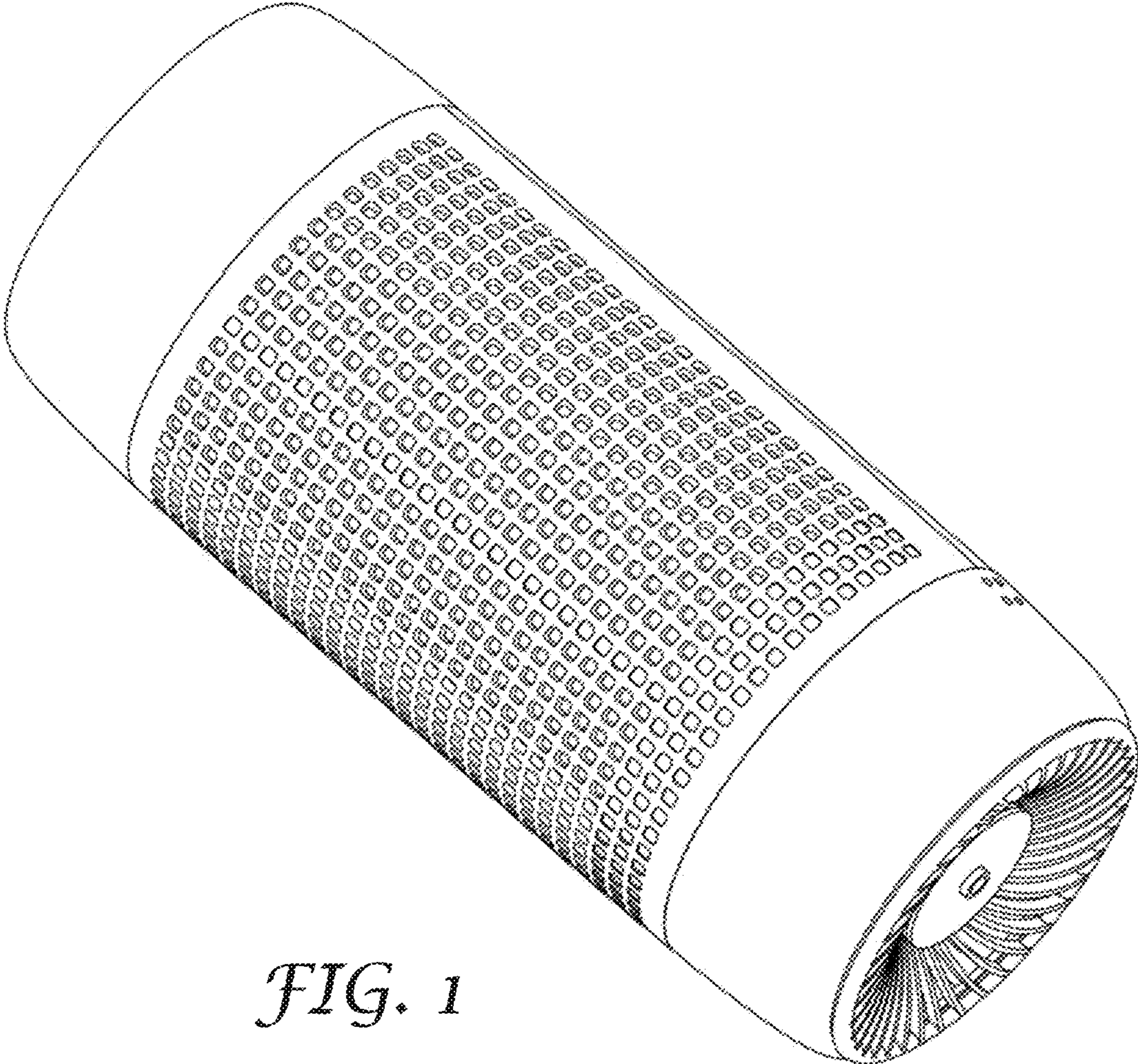


FIG. 1

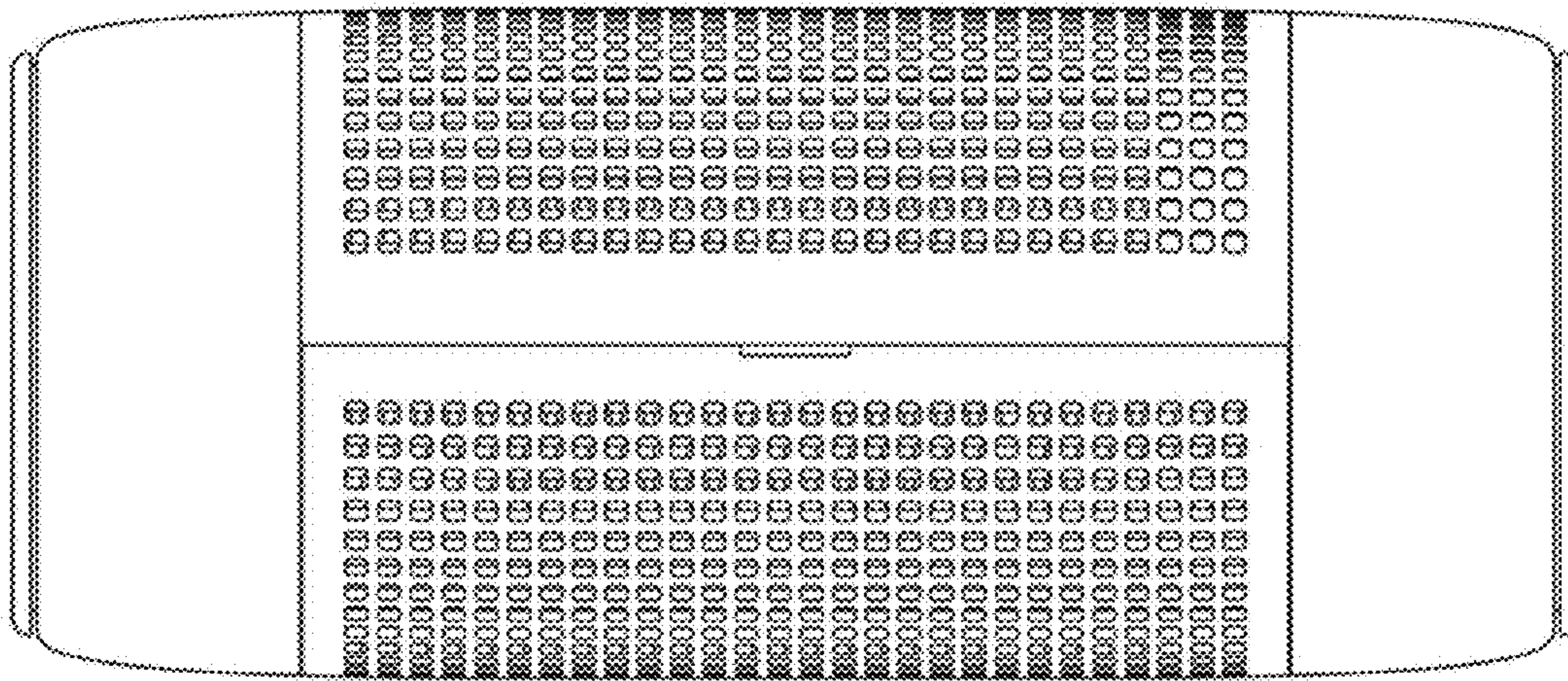


FIG. 2

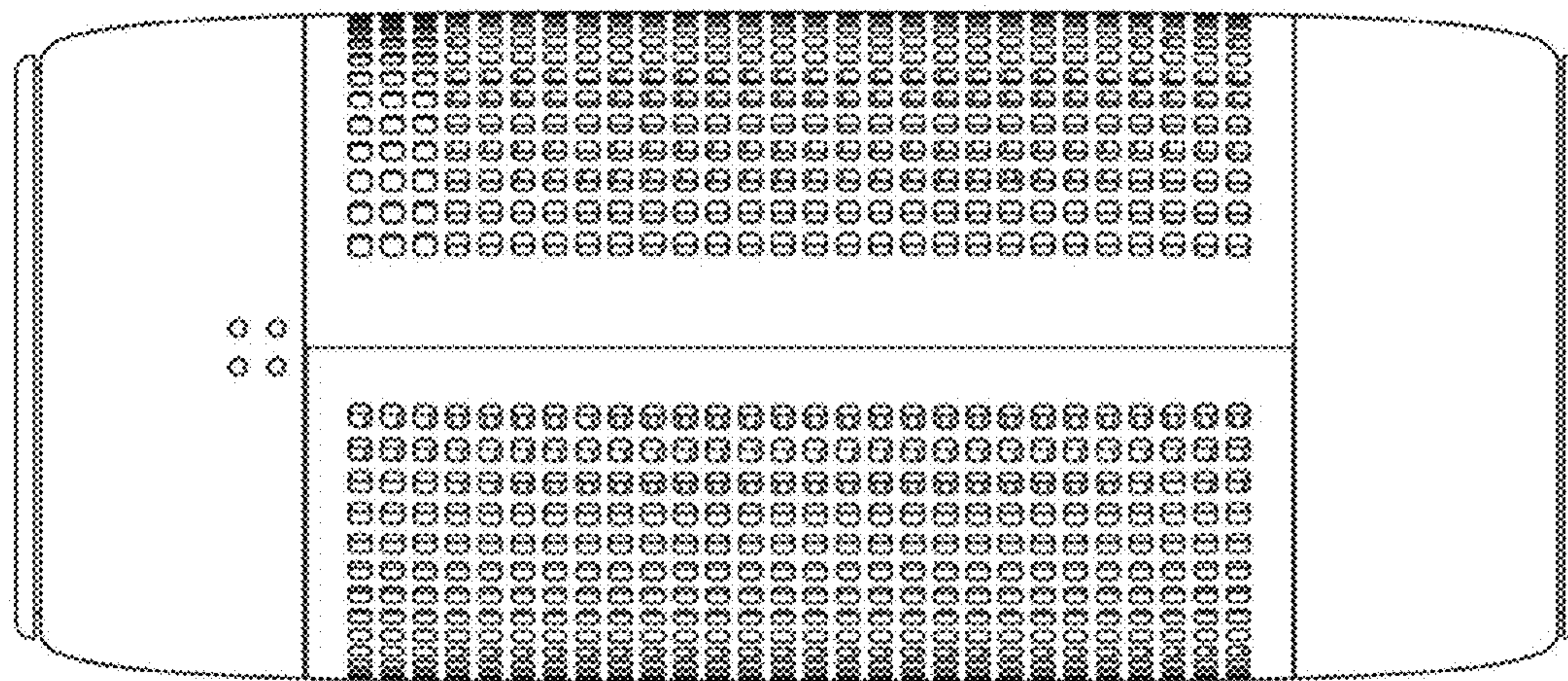


FIG. 3

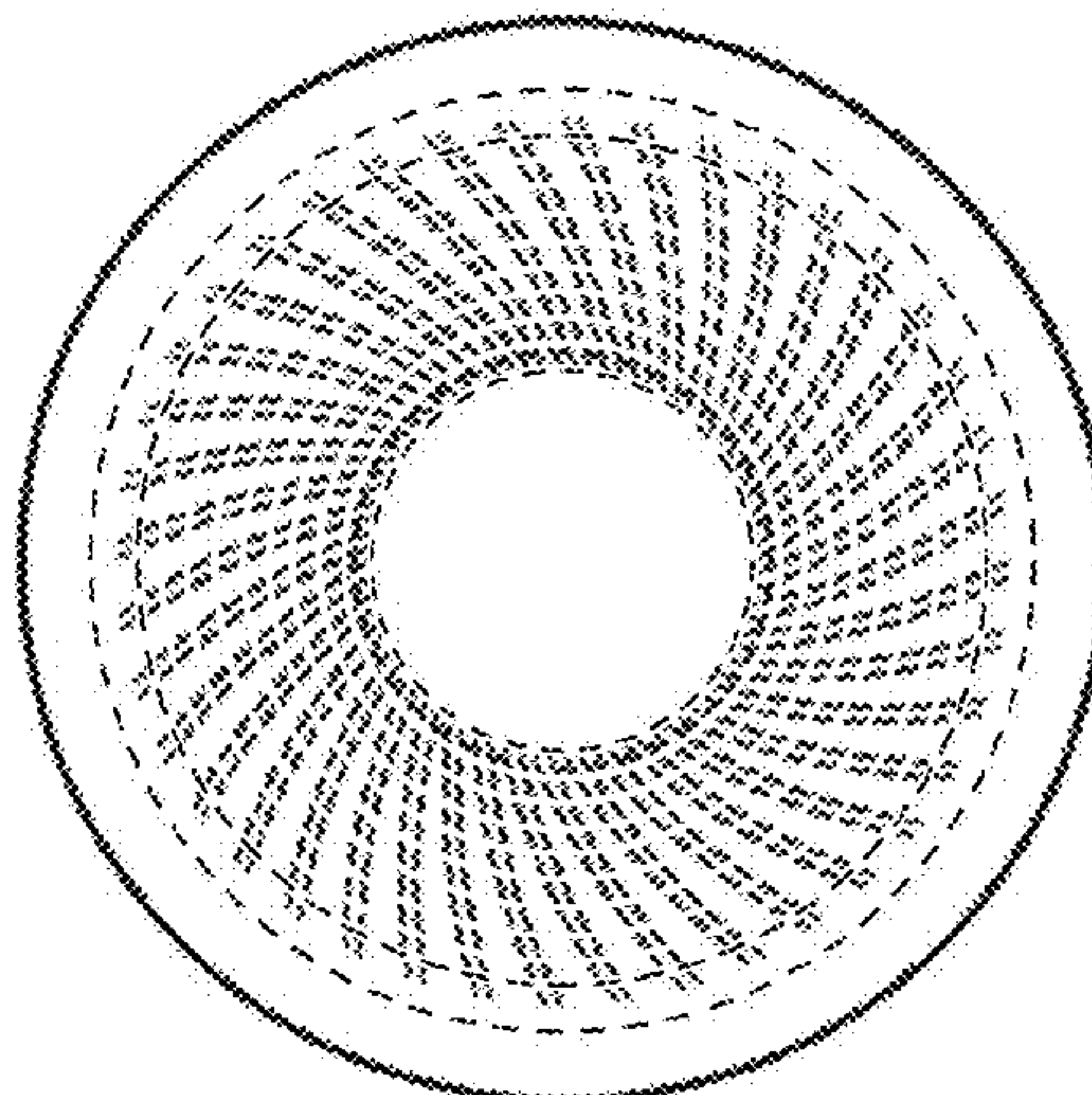


FIG. 4

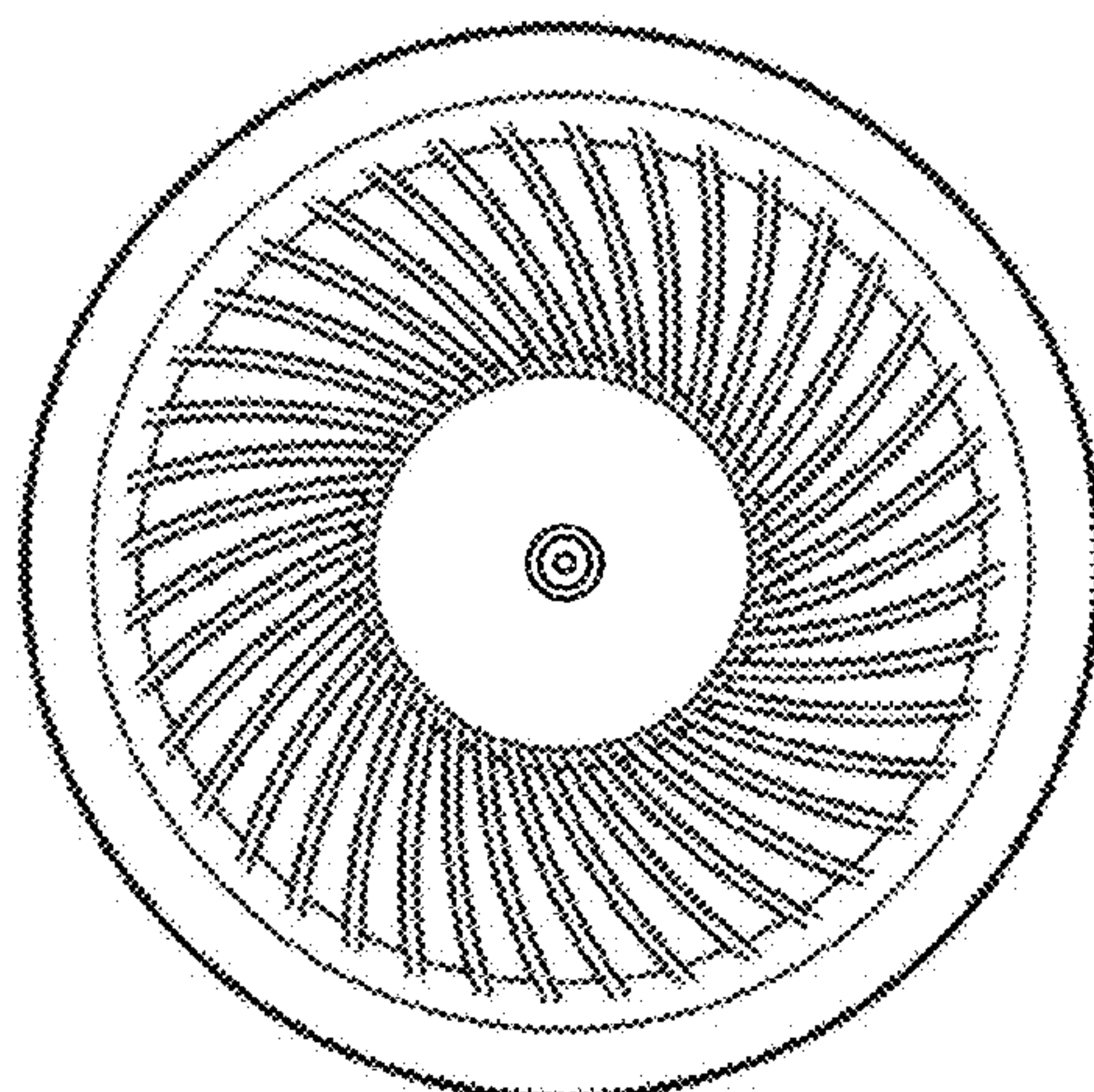


FIG. 5

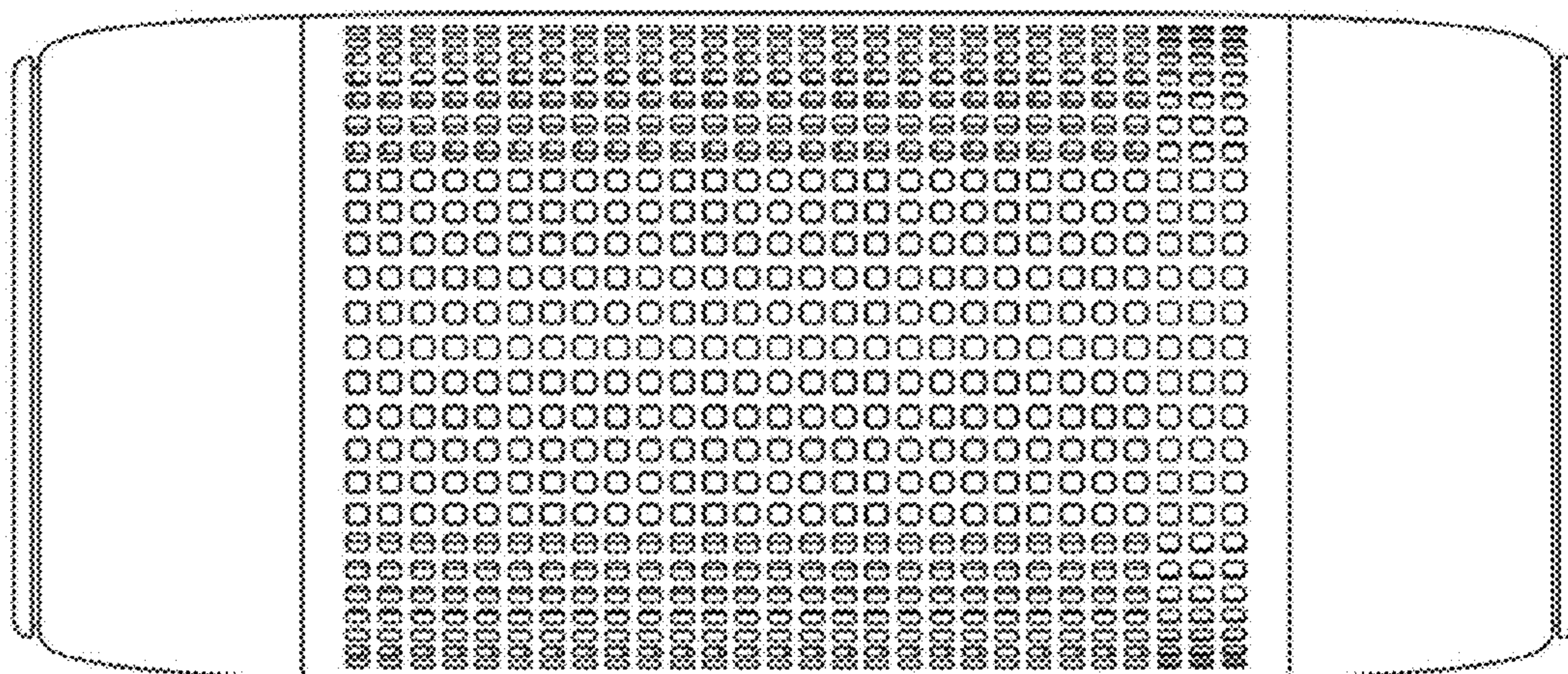


FIG. 6

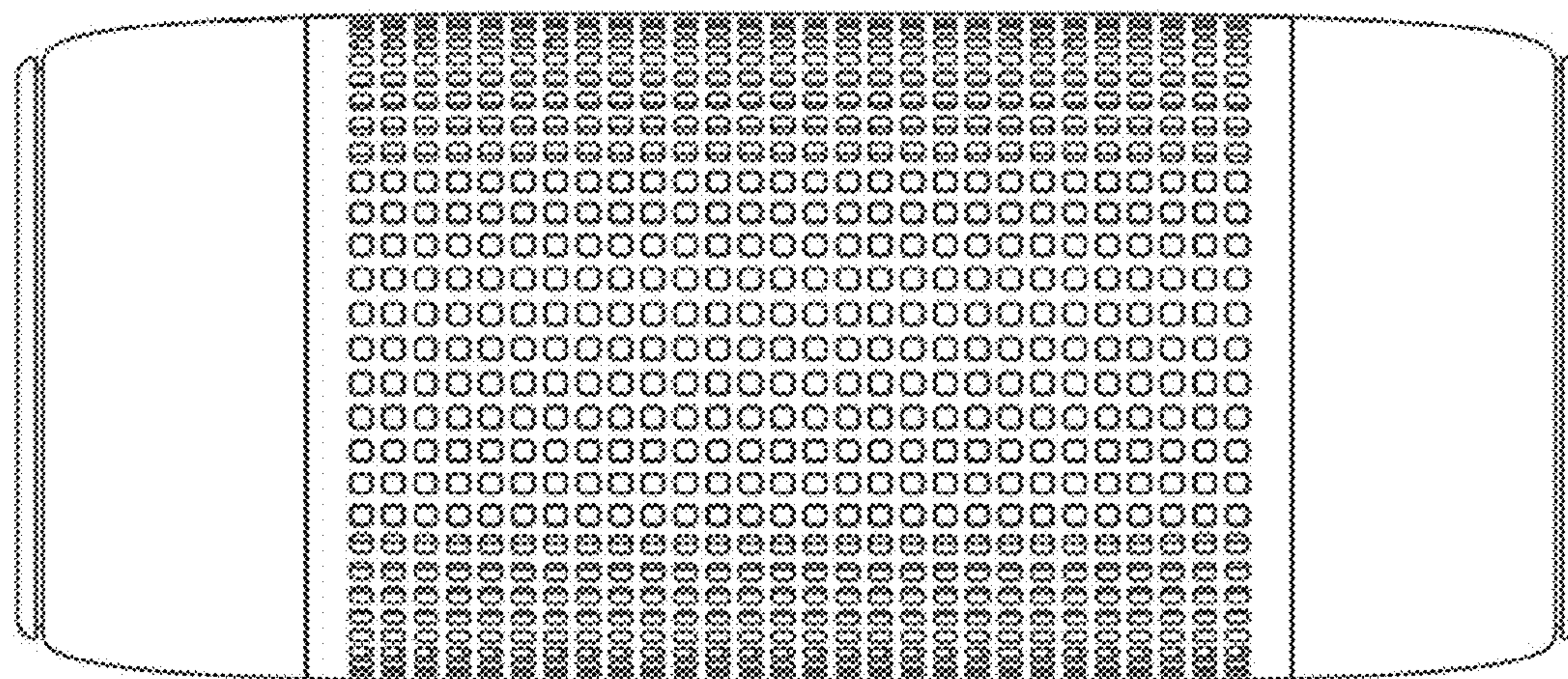


FIG. 7