



US00D944373S

(12) **United States Design Patent** (10) **Patent No.:** **US D944,373 S**
Johnson (45) **Date of Patent:** **** Feb. 22, 2022**

(54) **PORTABLE FIRE PLACE**
(71) Applicant: **Donald C. Johnson**, Woodbury, NJ (US)
(72) Inventor: **Donald C. Johnson**, Woodbury, NJ (US)
(**) Term: **15 Years**
(21) Appl. No.: **29/623,339**
(22) Filed: **Oct. 24, 2017**
(51) **LOC (13) Cl.** **23-03**
(52) **U.S. Cl.**
USPC **D23/343; D23/332**
(58) **Field of Classification Search**
USPC D23/332, 314, 343, 348, 341, 350, 346, D23/344, 347; D7/332-337, 402-405, D7/352
CPC F24C 1/16; F24C 5/00; F24C 3/14; A47J 33/00; A47J 37/0763; A47J 37/07; A47J 37/0781; A47J 37/0704; F24B 1/18; F24B 1/182; F24B 1/1808; F24B 1/181; F24B 1/195; F24B 1/191
See application file for complete search history.

6,748,939 B1 * 6/2004 Gober A47J 37/0704
126/25 R
D541,411 S * 4/2007 Dumortier D23/415
D688,507 S * 8/2013 Hill D7/323
2003/0113107 A1 * 6/2003 Winter F24H 1/06
392/447
2018/0156465 A1 * 6/2018 Oviatt F24B 1/22
2018/0202688 A1 * 7/2018 Brazier F24H 9/02

* cited by examiner

Primary Examiner — Ania Aman

(57) **CLAIM**

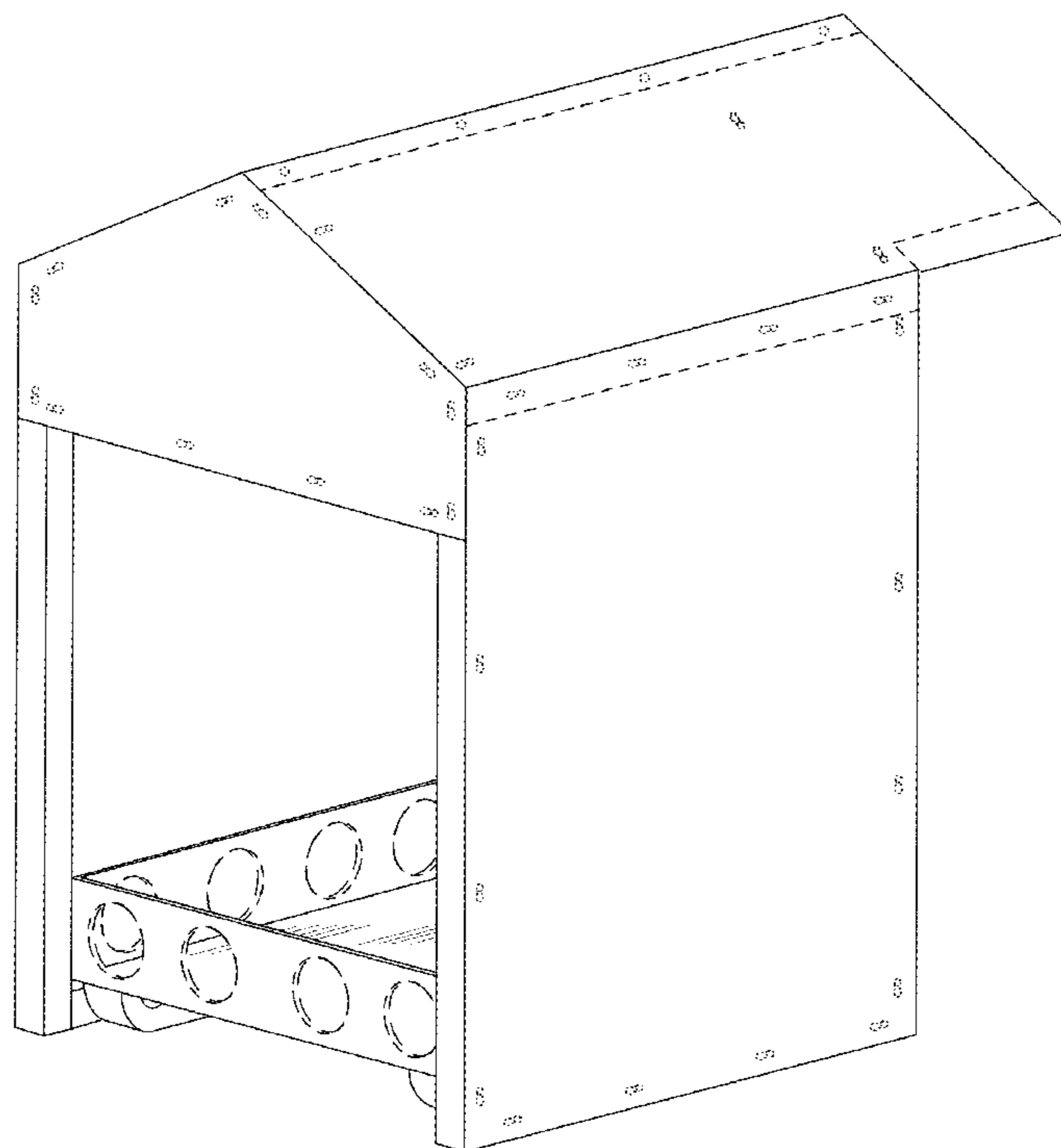
The ornamental design for a portable fire place, substantially as shown and described.

DESCRIPTION

FIG. 1 is a front perspective view of a fire cradle for a portable fireplace shown separately for ease of illustration in my new design;
FIG. 2 is a rear perspective view of the portable fireplace;
FIG. 3 is a front perspective view of the portable fireplace;
FIG. 4 is a front elevational view of the portable fireplace;
FIG. 5 is a rear elevational view of the portable fireplace;
FIG. 6 is a right side elevational view the of the portable fireplace, the left side is a mirror image;
FIG. 7 is a top plan view of the portable fireplace; and,
FIG. 8 is a bottom plan view of the portable fireplace.
The broken lines showing the openings in the fire cradle, a rear vent, the overlapping mounting strips of the roof and side panels, and the interlocking screws and keyhole mounting slots are for illustrative purposes only and form no part of the claimed design.

1 Claim, 8 Drawing Sheets

(56) **References Cited**
U.S. PATENT DOCUMENTS
3,644,124 A * 2/1972 Bedsole A23B 4/052
426/233
3,699,876 A * 10/1972 Ellis A47J 37/0704
99/396
3,841,211 A * 10/1974 Ellis A23B 4/052
99/482



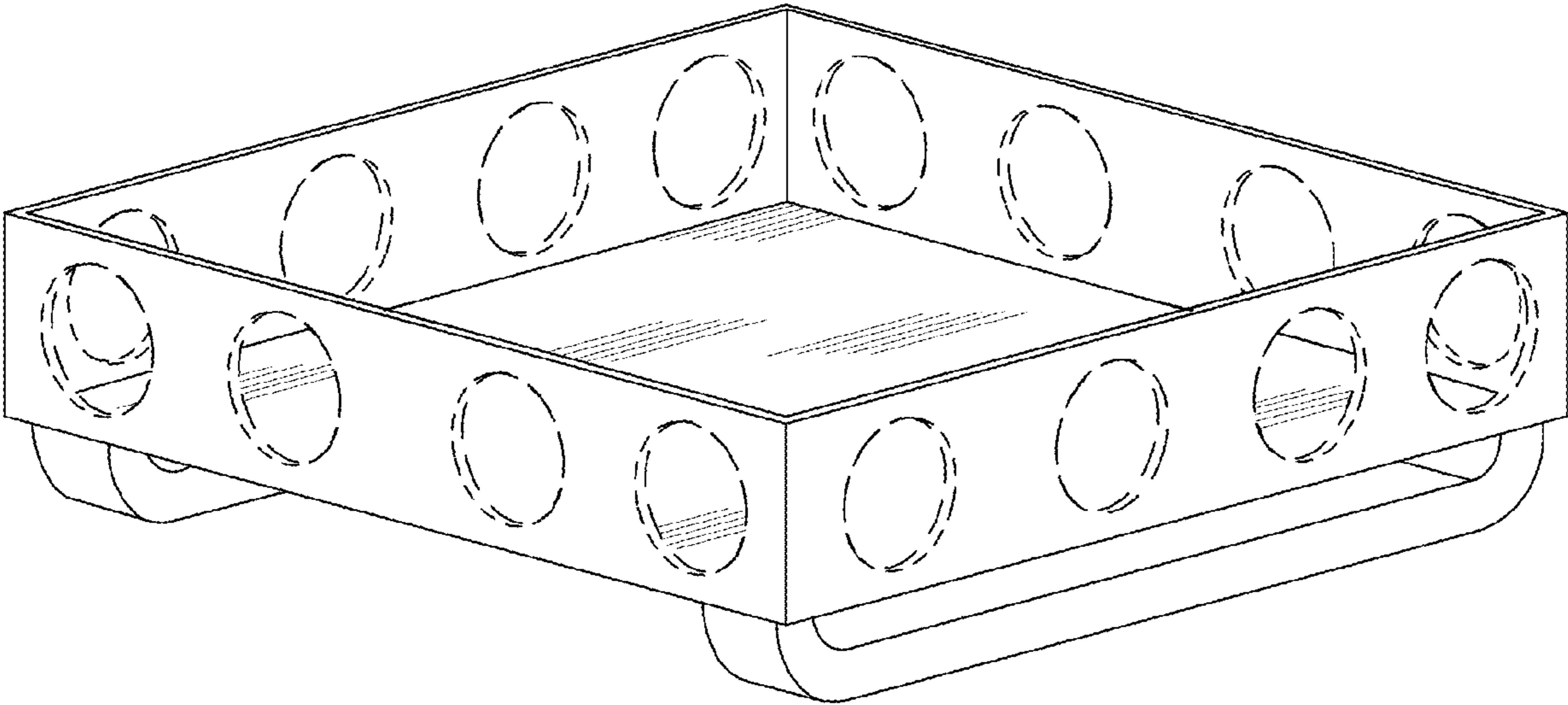


FIG. 1

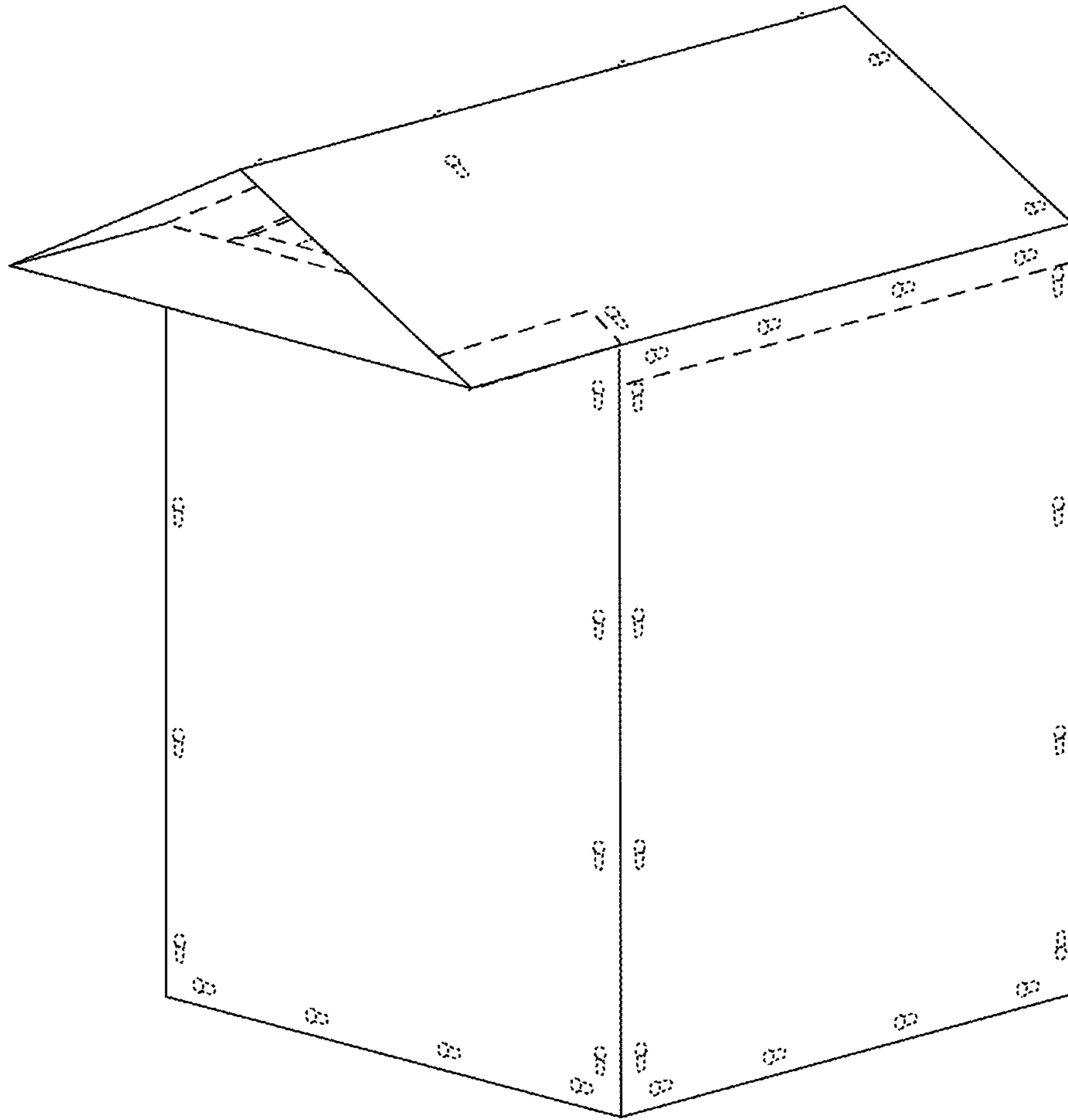


FIG. 2

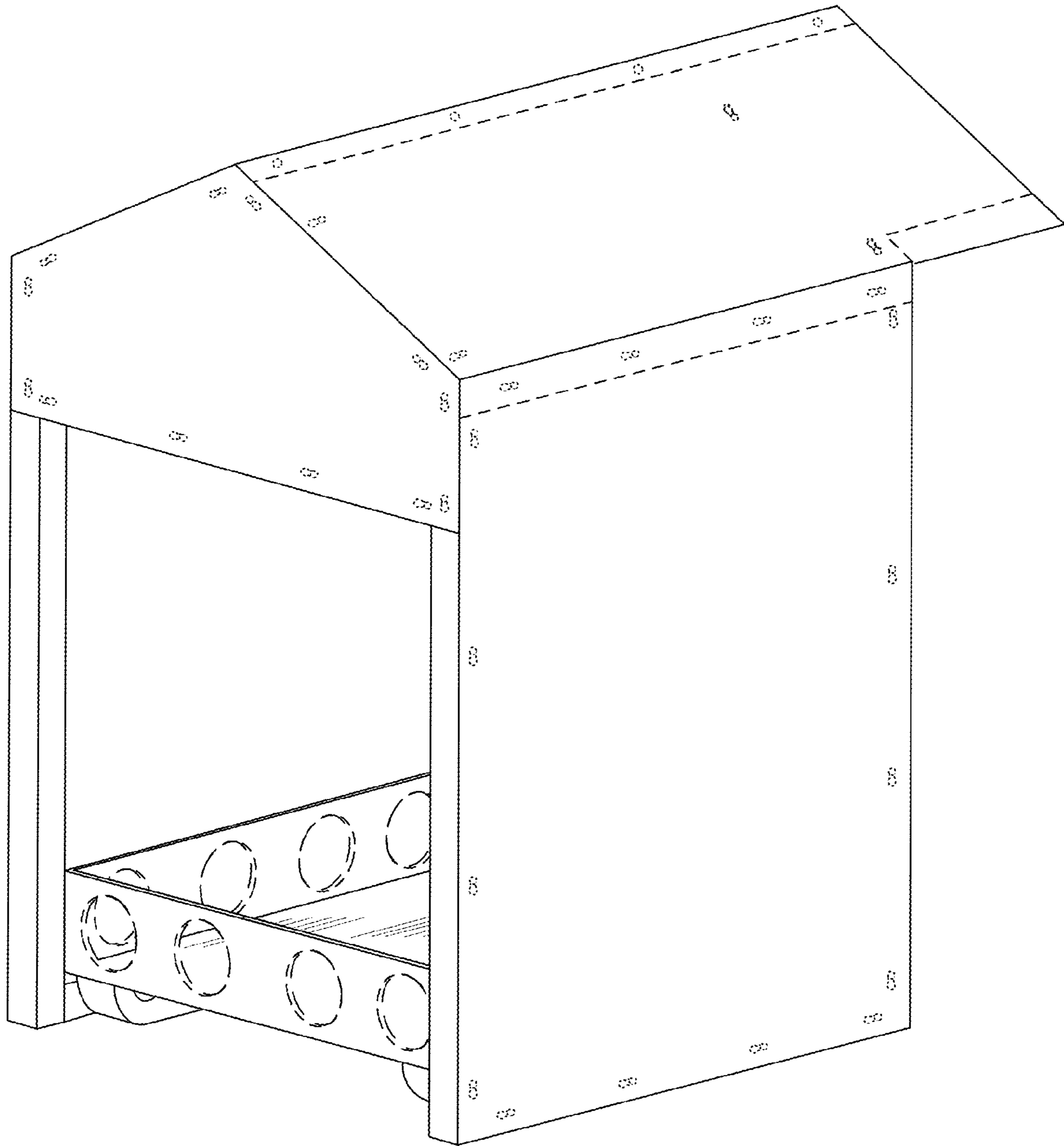


FIG. 3

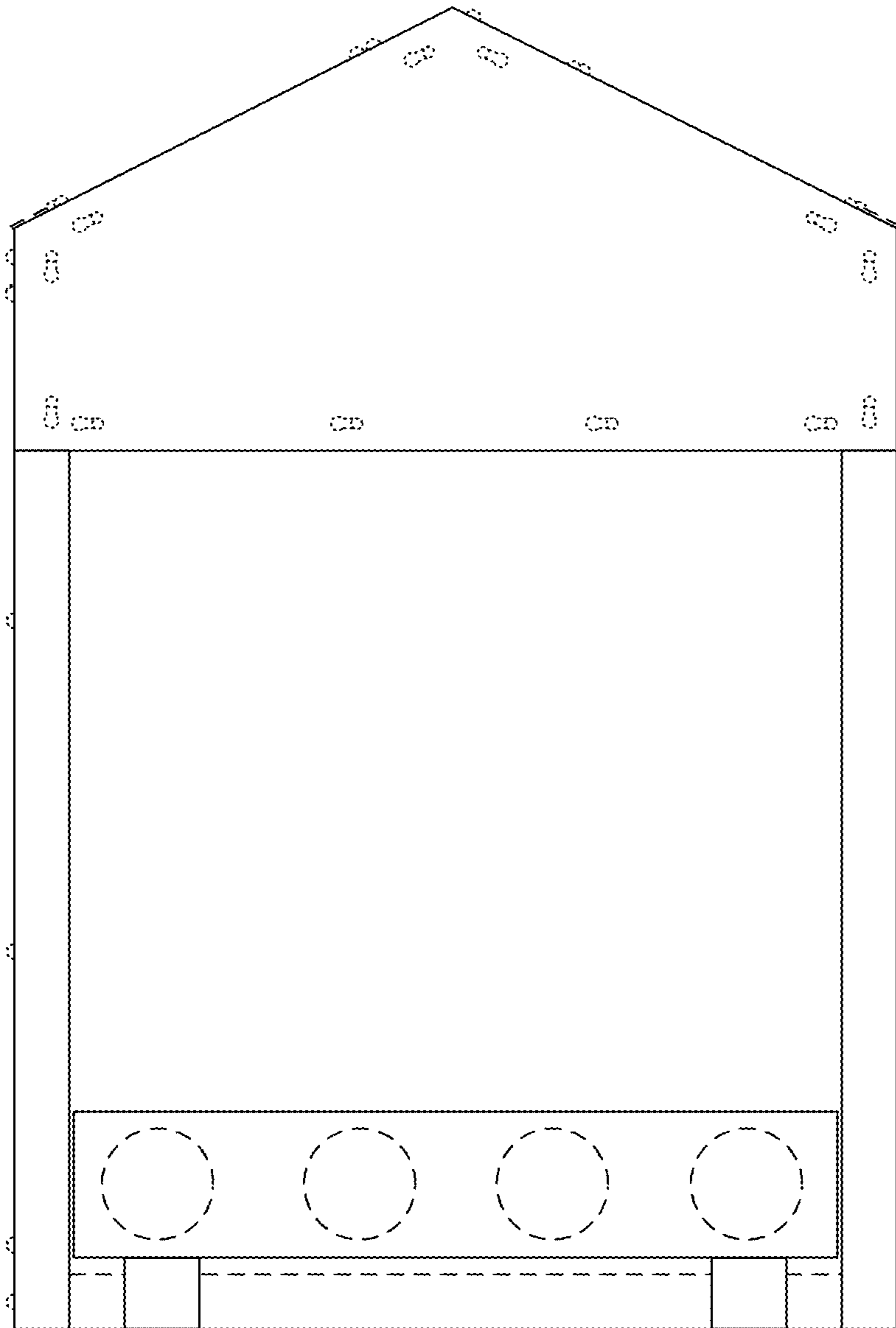


FIG. 4

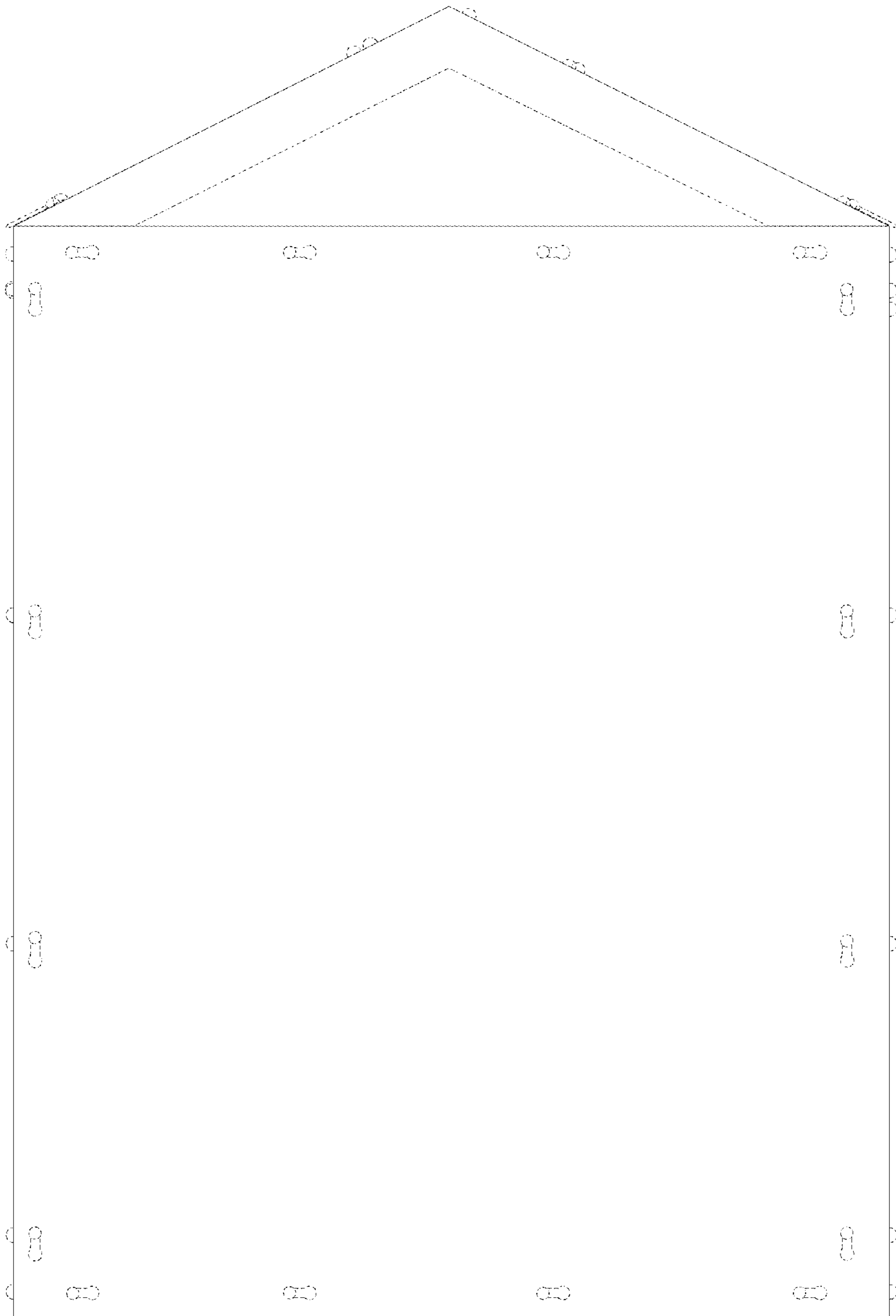


FIG. 5

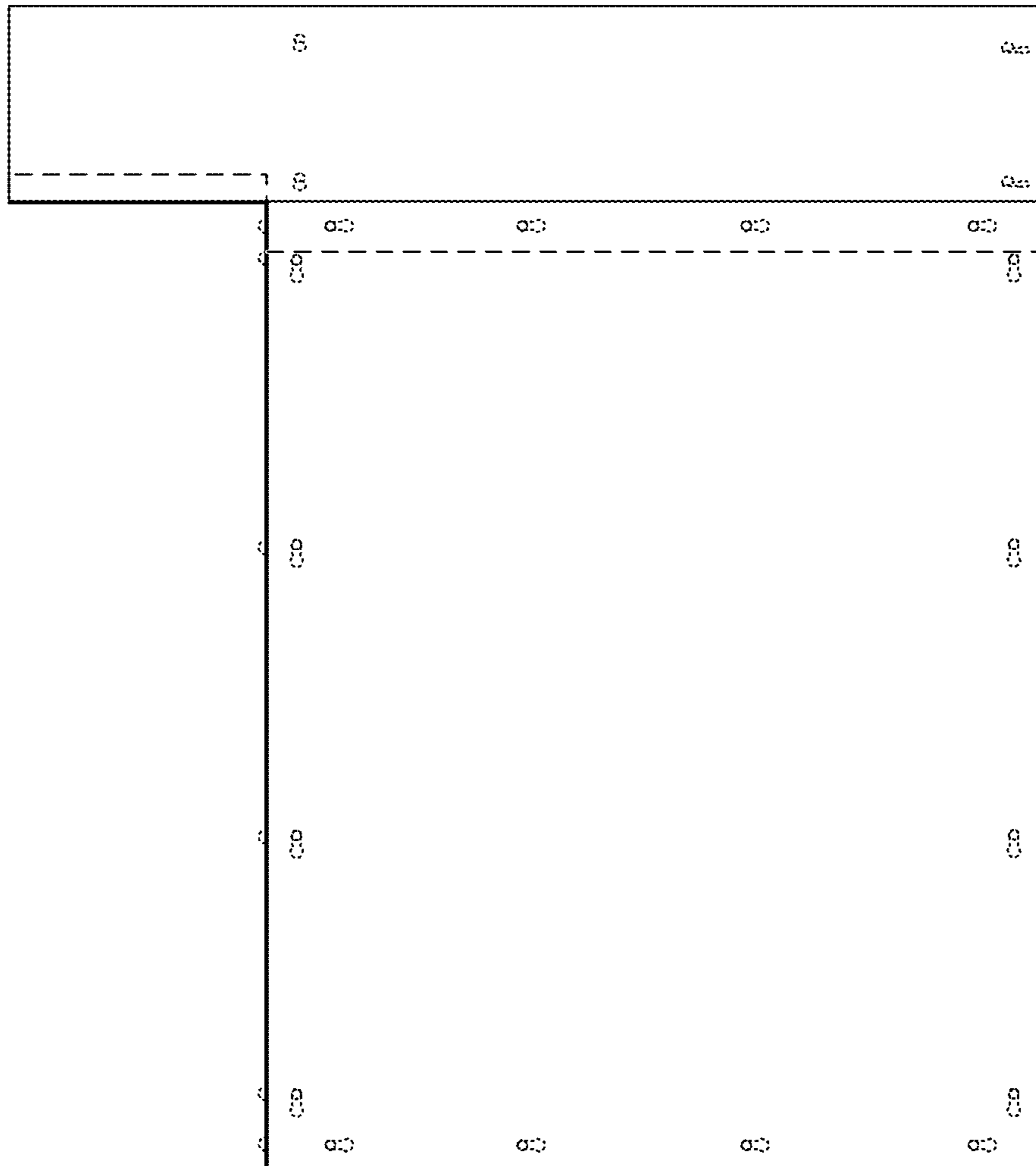


FIG. 6

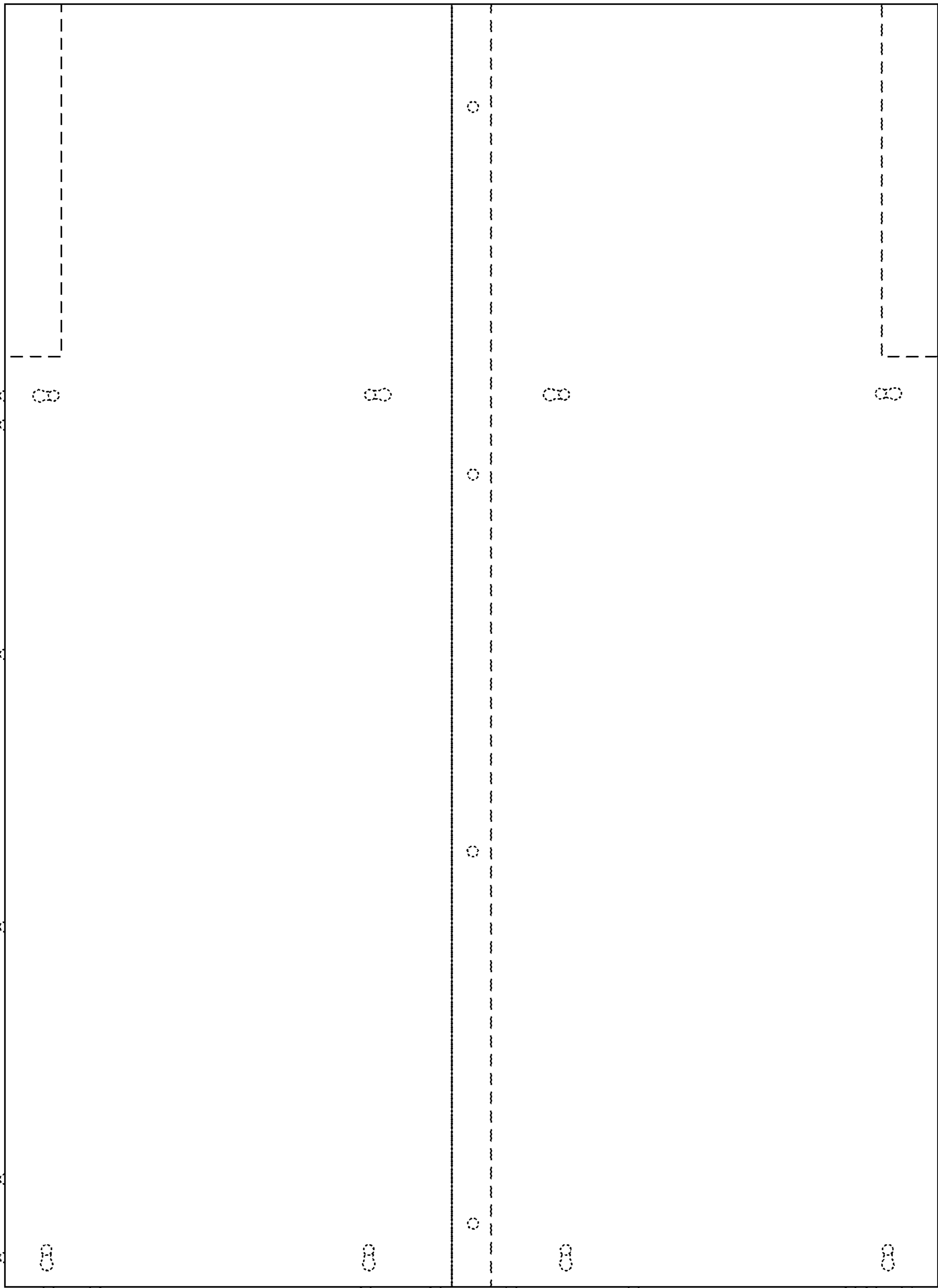


FIG. 7

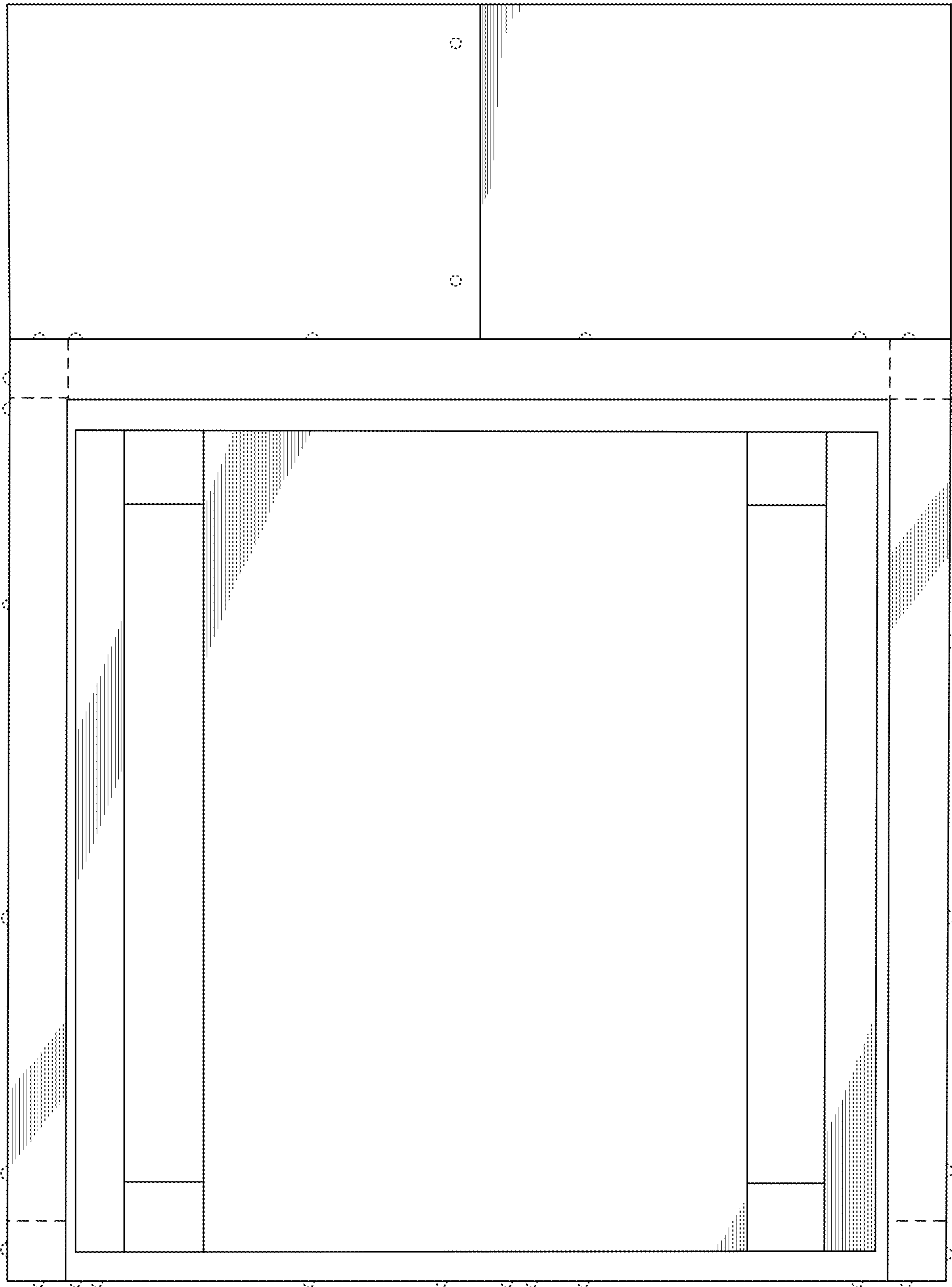


FIG. 8