

US00D944372S

(12) **United States Design Patent**
Yehezkel

(10) **Patent No.:** **US D944,372 S**
(45) **Date of Patent:** **** Feb. 22, 2022**

(54) **HEATER**

(71) Applicant: **Naama Yehezkel**, New York, NY (US)

(72) Inventor: **Naama Yehezkel**, New York, NY (US)

(**) Term: **15 Years**

(21) Appl. No.: **29/696,895**

(22) Filed: **Jul. 2, 2019**

(51) **LOC (13) Cl.** **23-03**

(52) **U.S. Cl.**
USPC **D23/336**

(58) **Field of Classification Search**
USPC D23/314, 332, 334, 335, 336, 337, 338,
D23/339, 340, 342, 352, 355, 357, 361,
D23/362, 364, 366, 351.354; D14/204
(Continued)

(56) **References Cited**

U.S. PATENT DOCUMENTS

D29,976 S * 1/1899 Gold D23/336
D30,598 S * 4/1899 Meek D23/336
(Continued)

OTHER PUBLICATIONS

Electric Heater CN 306762824 Aug. 17, 2021 (Year: 2021).*

Primary Examiner — Ania Aman

(74) *Attorney, Agent, or Firm* — Renner, Otto, Boisselle & Sklar, LLP

(57) **CLAIM**

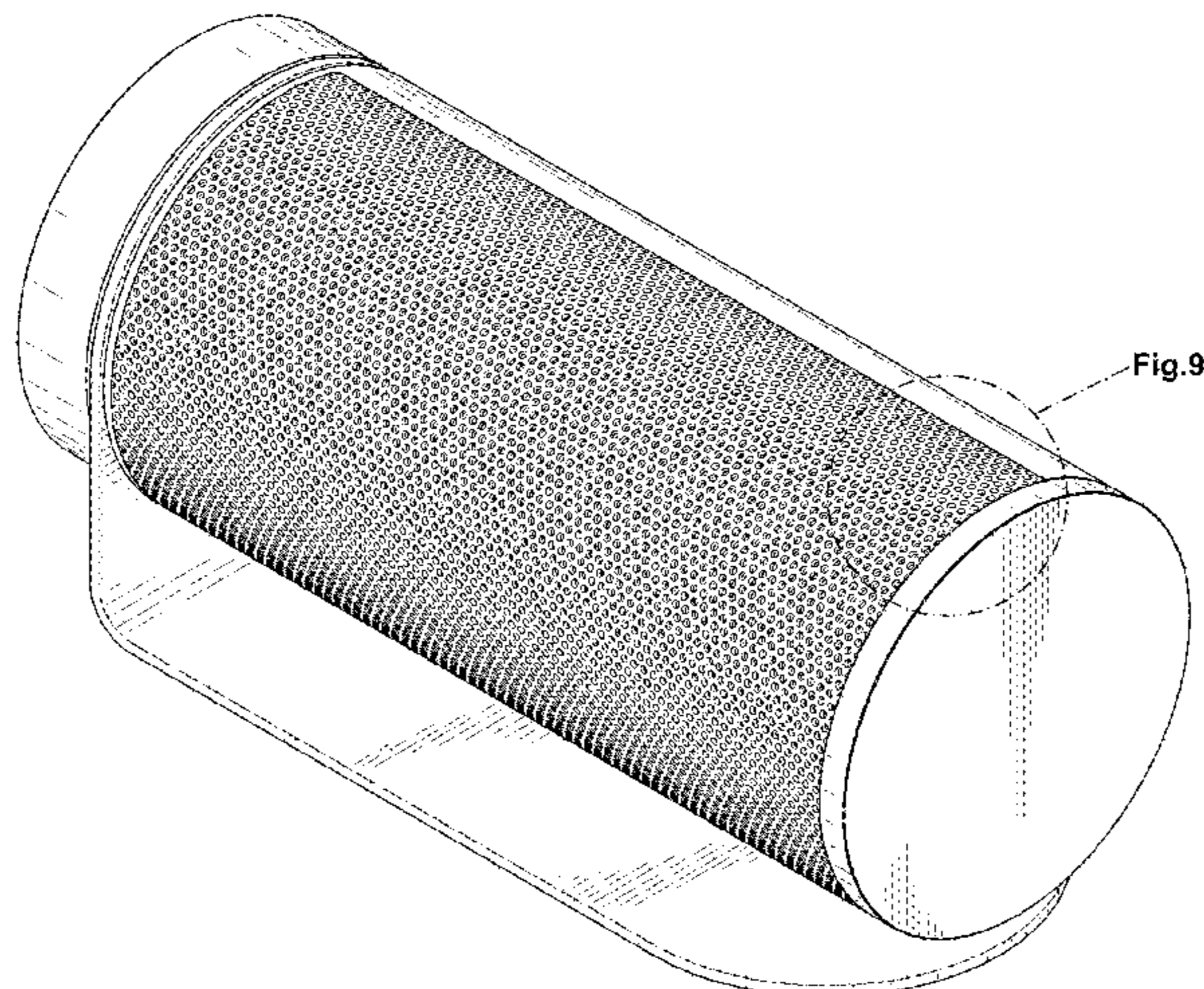
The ornamental design for a heater, as shown and described.

DESCRIPTION

FIG. 1 is a front, top, right perspective view of a first embodiment of a heater showing my design;
FIG. 2 is a rear, bottom, left perspective view thereof;

FIG. 3 is a front elevation view thereof;
FIG. 4 is a rear elevation view thereof;
FIG. 5 is a top plan view thereof;
FIG. 6 is a bottom plan view thereof;
FIG. 7 is a left side elevation view thereof;
FIG. 8 is a right side elevation view thereof;
FIG. 9 is an enlarged perspective view of the portion of the heater circled in FIG. 1;
FIG. 10 is a front, top, right perspective view of a second embodiment of a heater showing my design;
FIG. 11 is a rear, bottom, left perspective view thereof;
FIG. 12 is a front elevation view thereof;
FIG. 13 is a rear elevation view thereof;
FIG. 14 is a top plan view thereof;
FIG. 15 is a bottom plan view thereof;
FIG. 16 is a left side elevation view thereof;
FIG. 17 is a right side elevation view thereof;
FIG. 18 is an enlarged perspective view of the portion of the heater circled in FIG. 10;
FIG. 19 is a front, top, right perspective view of a third embodiment of a heater showing my design;
FIG. 20 is a rear, bottom, left perspective view thereof;
FIG. 21 is a front elevation view thereof;
FIG. 22 is a rear elevation view thereof;
FIG. 23 is a top plan view thereof;
FIG. 24 is a bottom plan view thereof;
FIG. 25 is a left side elevation view thereof;
FIG. 26 is a right side elevation view thereof;
FIG. 27 is an enlarged perspective view of the portion of the heater circled in FIG. 19;
FIG. 28 is a front, top, right perspective view of a fourth embodiment of a heater showing my design;
FIG. 29 is a rear, bottom, left perspective view thereof;
FIG. 30 is a front elevation view thereof;
FIG. 31 is a rear elevation view thereof;
FIG. 32 is a top plan view thereof;
FIG. 33 is a bottom plan view thereof;
FIG. 34 is a left side elevation view thereof;
FIG. 35 is a right side elevation view thereof; and,
FIG. 36 is an enlarged perspective view of the portion of the heater circled in FIG. 28.

(Continued)



In the drawings, the broken lines depict unclaimed subject matter only and form no part of the claimed design.

1 Claim, 32 Drawing Sheets

(58) Field of Classification Search

CPC F24H 3/0417; F24H 3/0411; F24H 3/022;
F24H 3/02; F24H 9/02

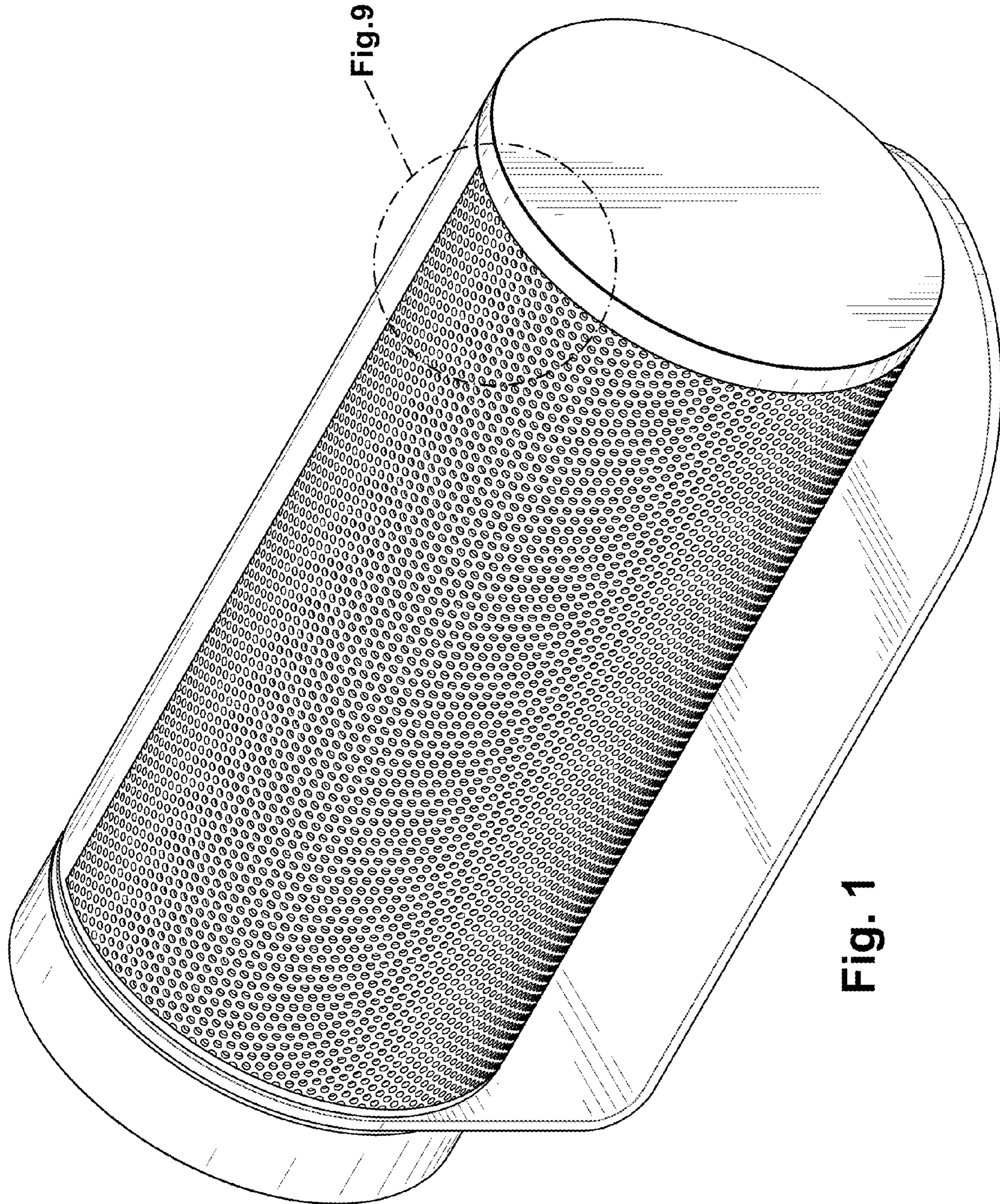
See application file for complete search history.

(56) References Cited

U.S. PATENT DOCUMENTS

D48,392 S *	1/1916	Loheide	D23/356
D54,887 S *	4/1920	Boyd	D23/335
D115,100 S *	6/1939	De Masters et al.	D23/336
D267,970 S *	2/1983	Gronwick	D23/336
D346,017 S *	4/1994	Lim	D23/332
5,408,987 A *	4/1995	Mifune	A47J 36/26
			126/11
D810,266 S *	2/2018	Li	D23/366
D828,533 S *	9/2018	Shah	D23/366
D882,056 S *	4/2020	Baillie	D23/364
D927,660 S *	8/2021	Chouji	D23/333
2017/0059204 A1 *	3/2017	Iyer	F04D 29/283

* cited by examiner



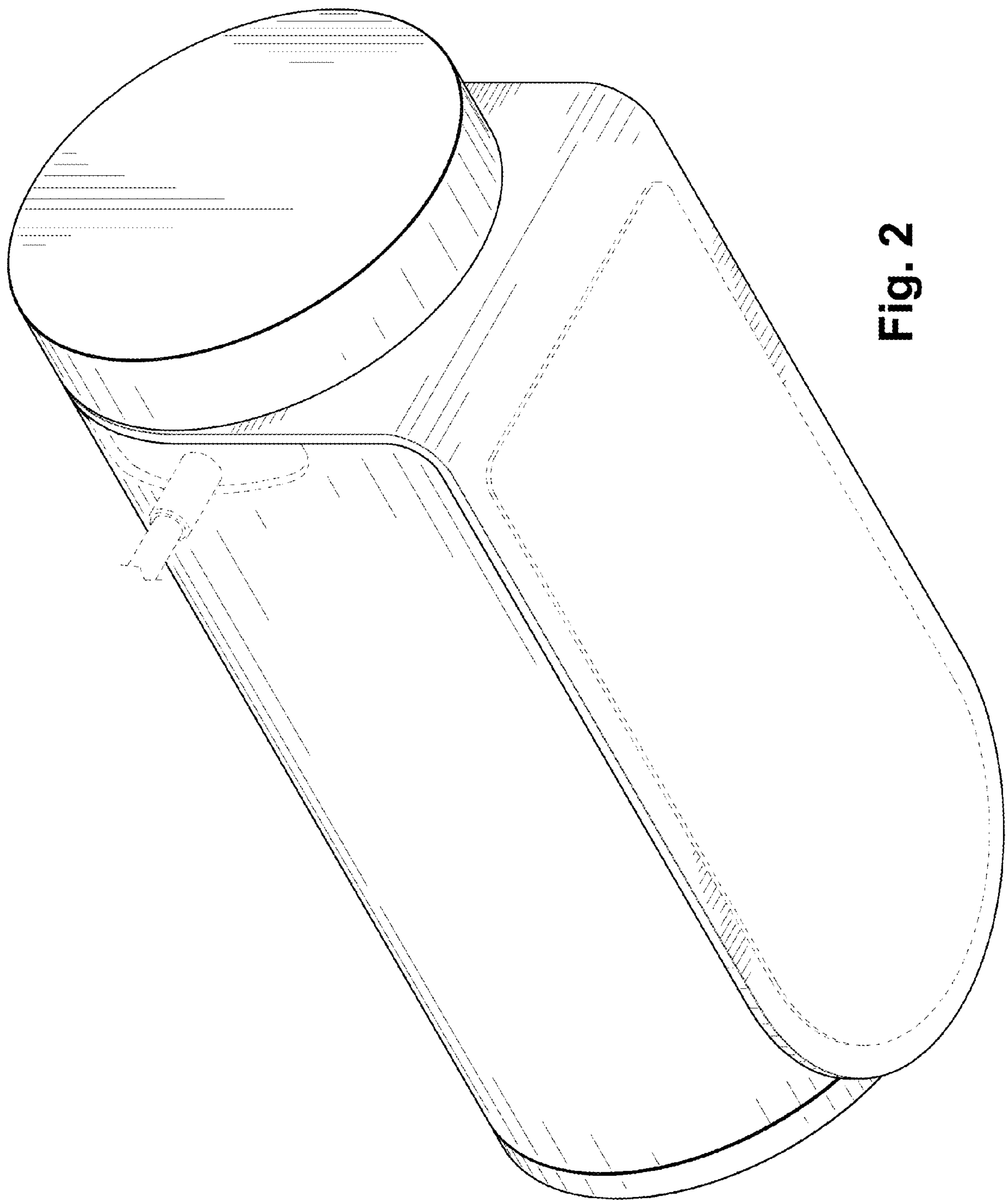


Fig. 2

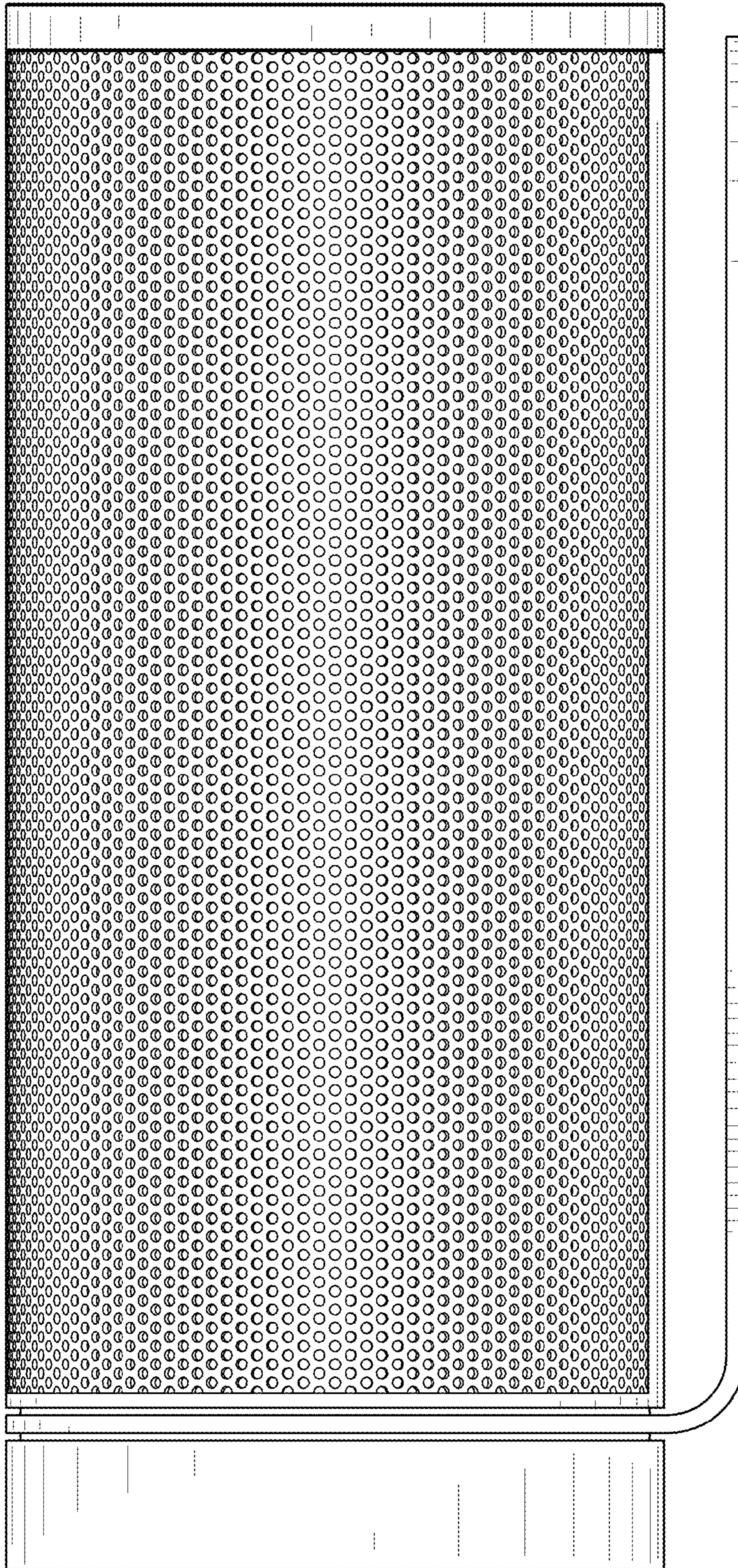


Fig. 3

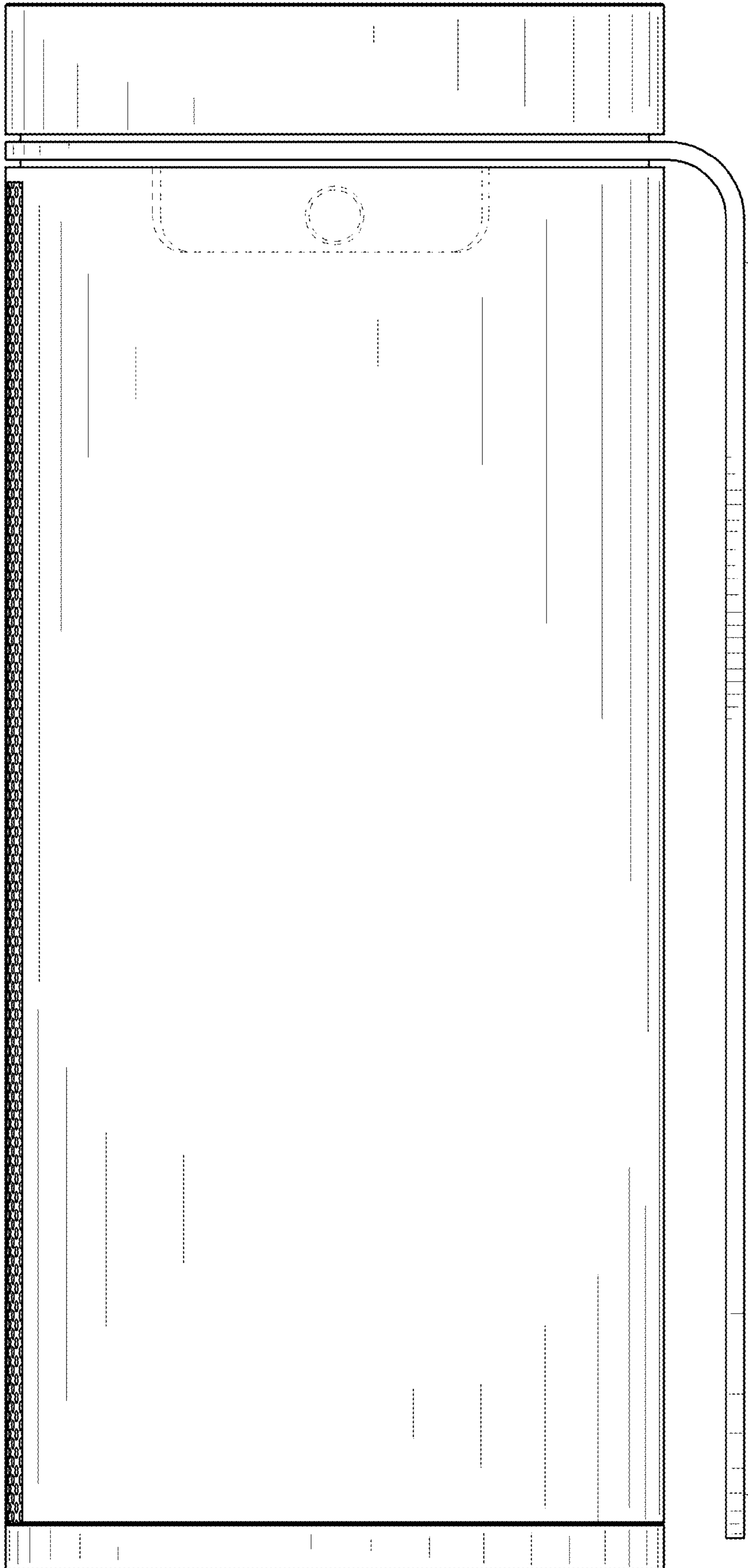


Fig. 4

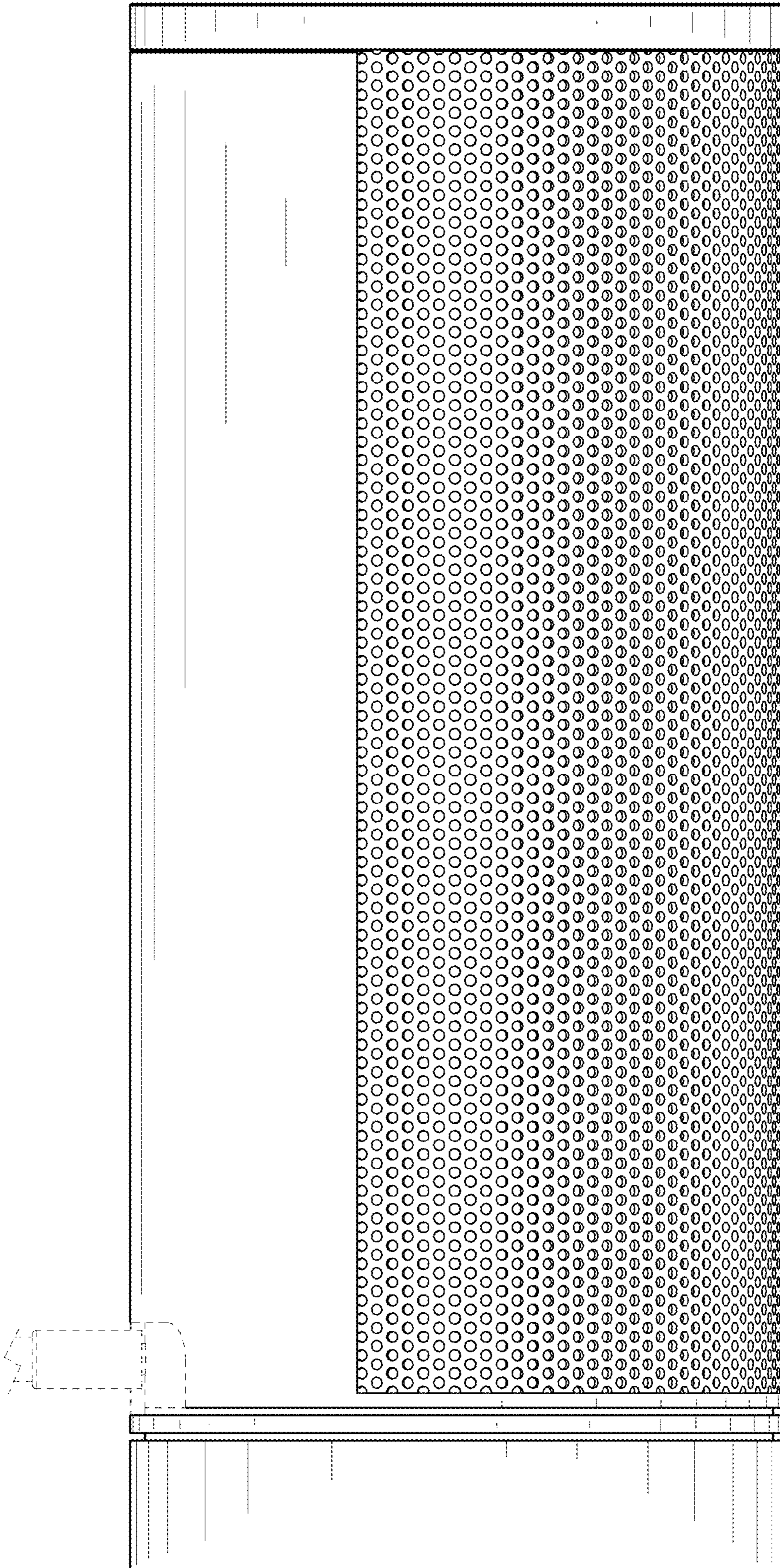


Fig. 5

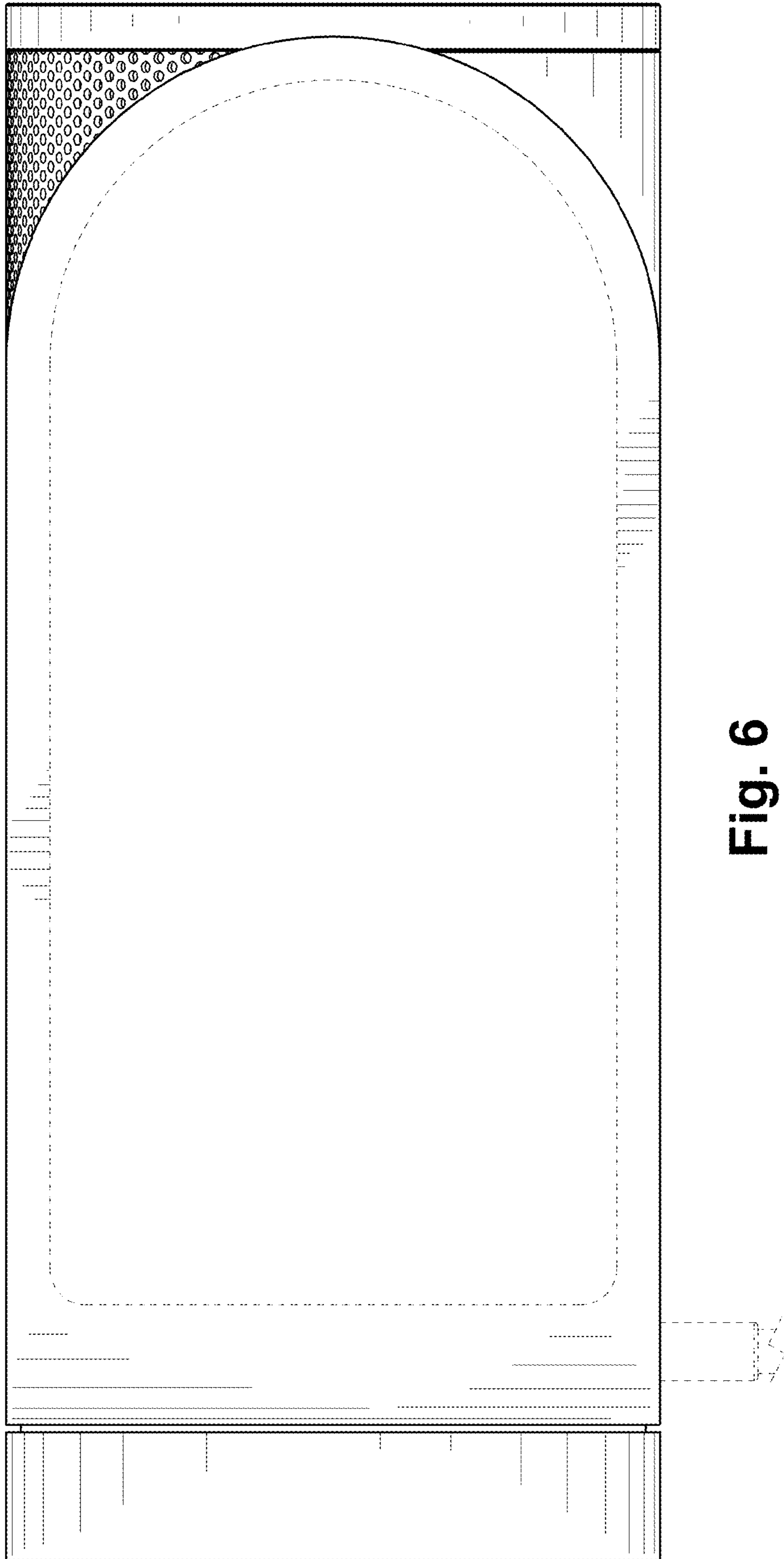


Fig. 6

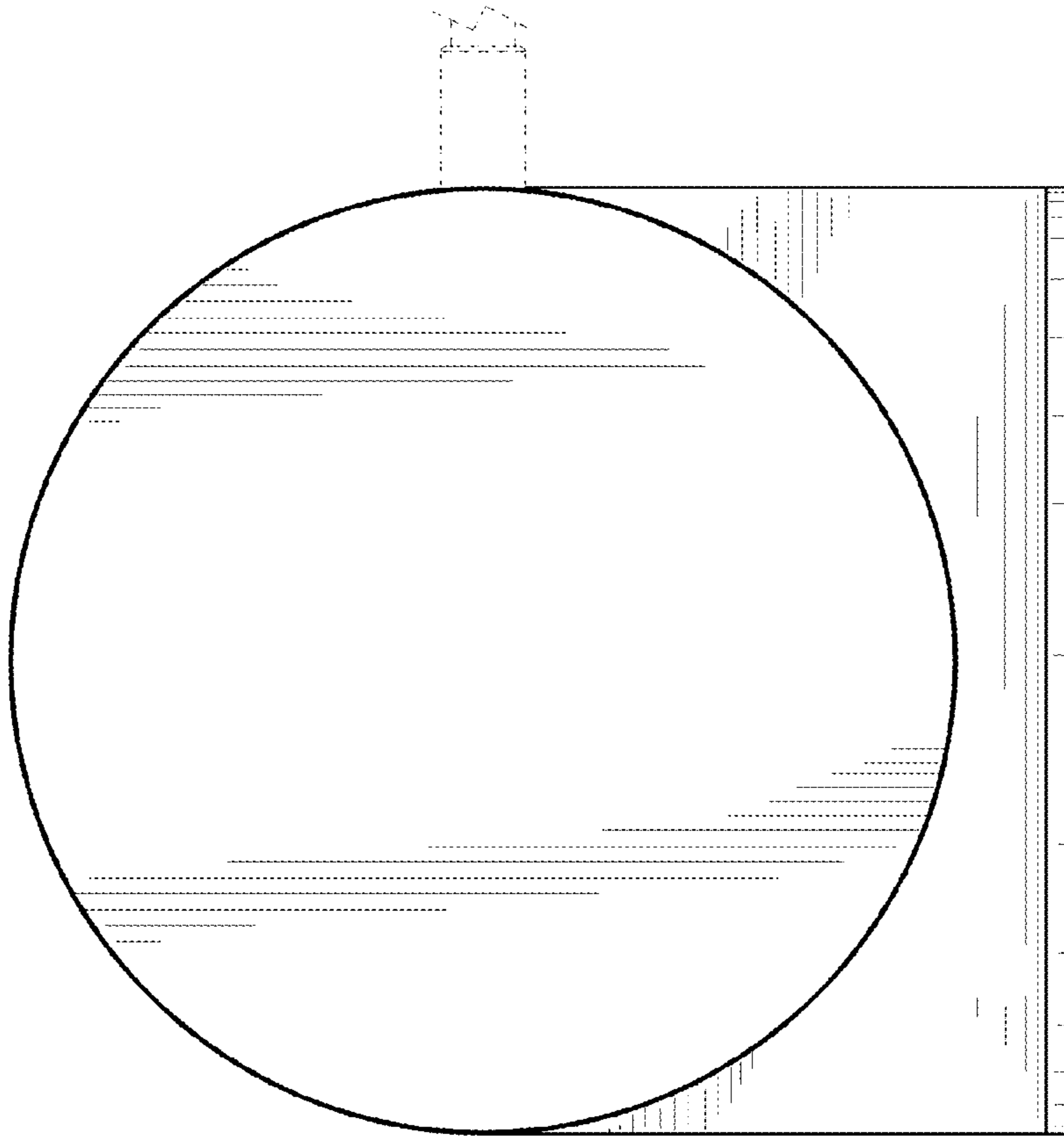


Fig. 8

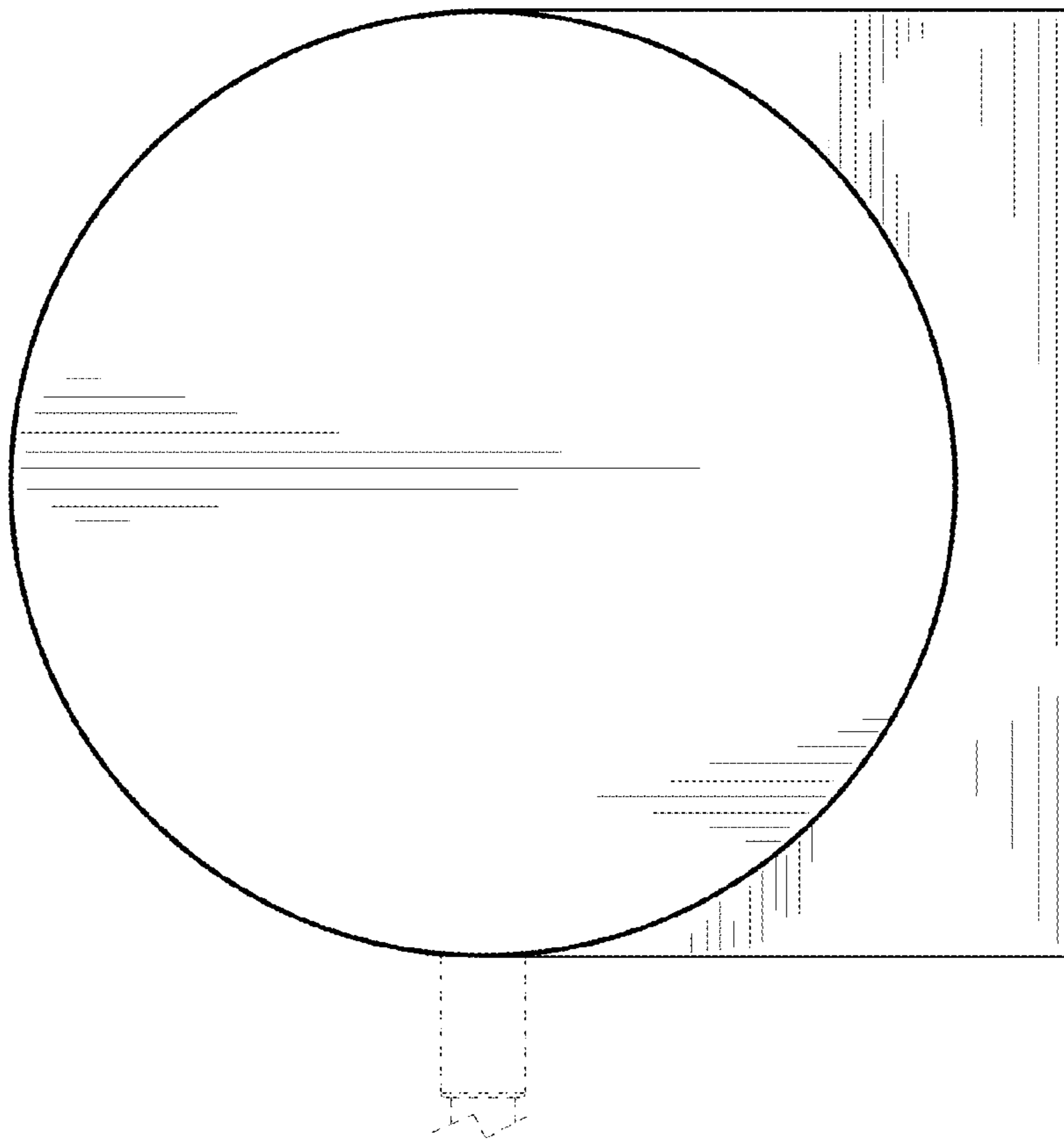


Fig. 7

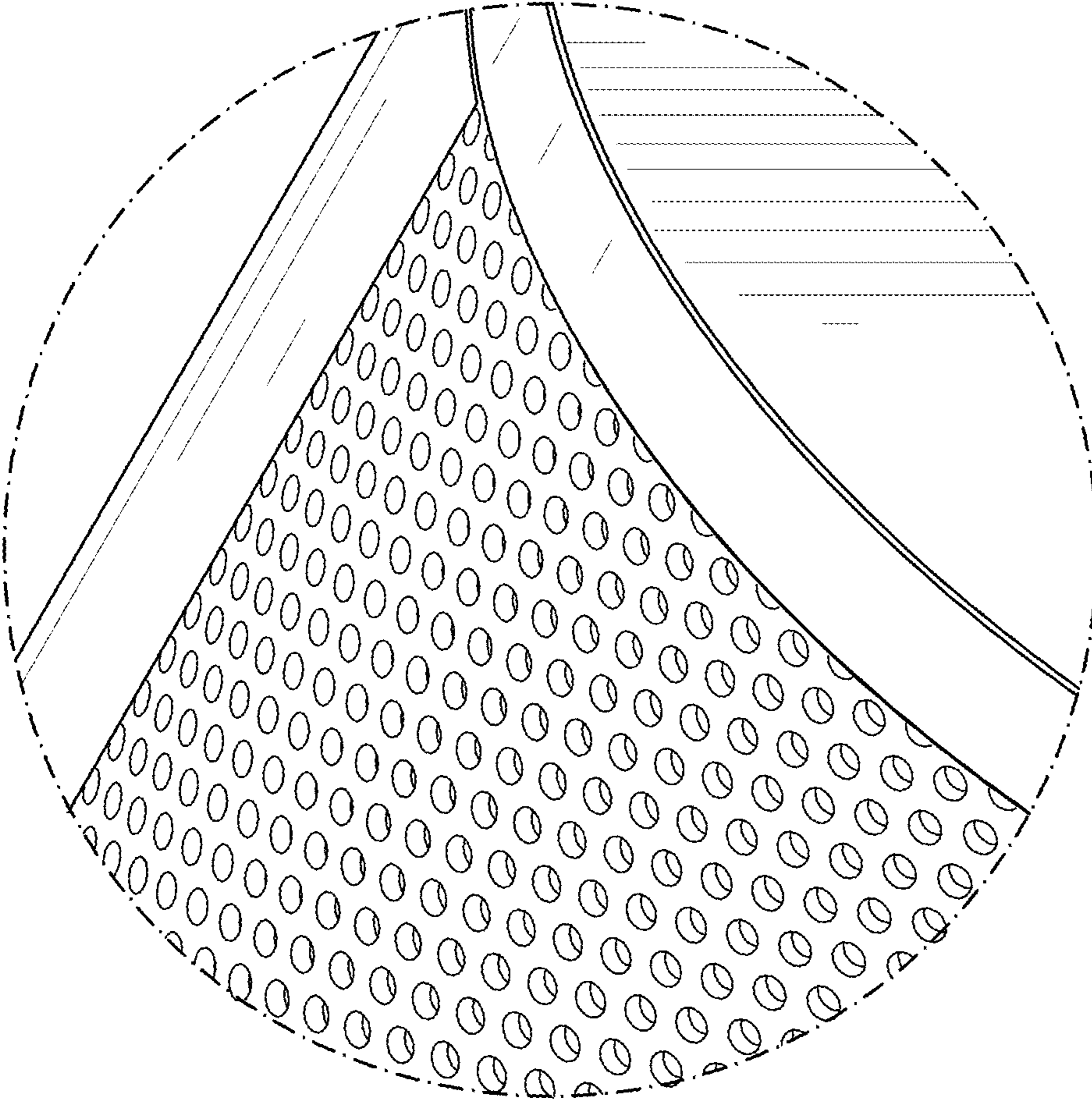
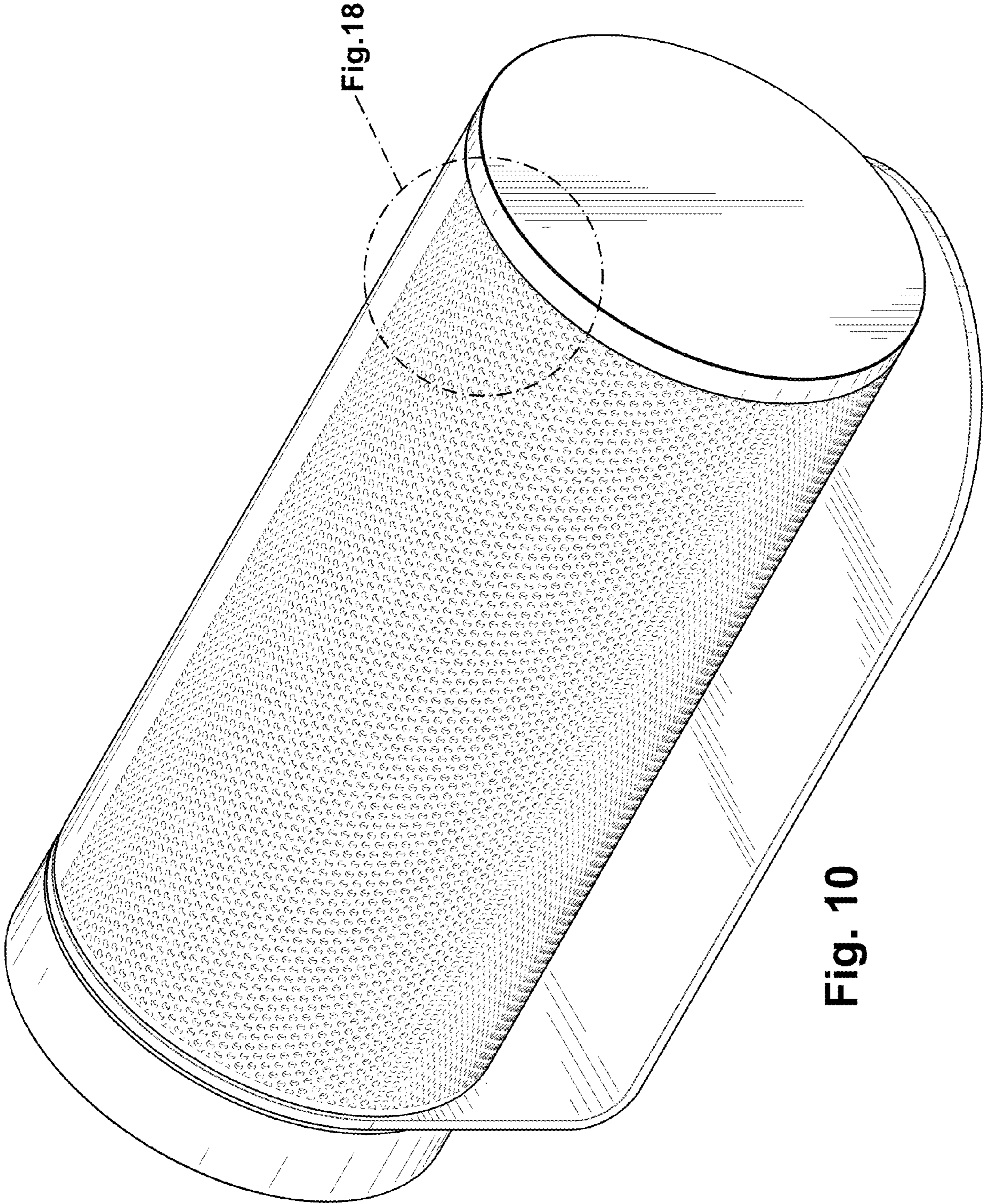


Fig. 9



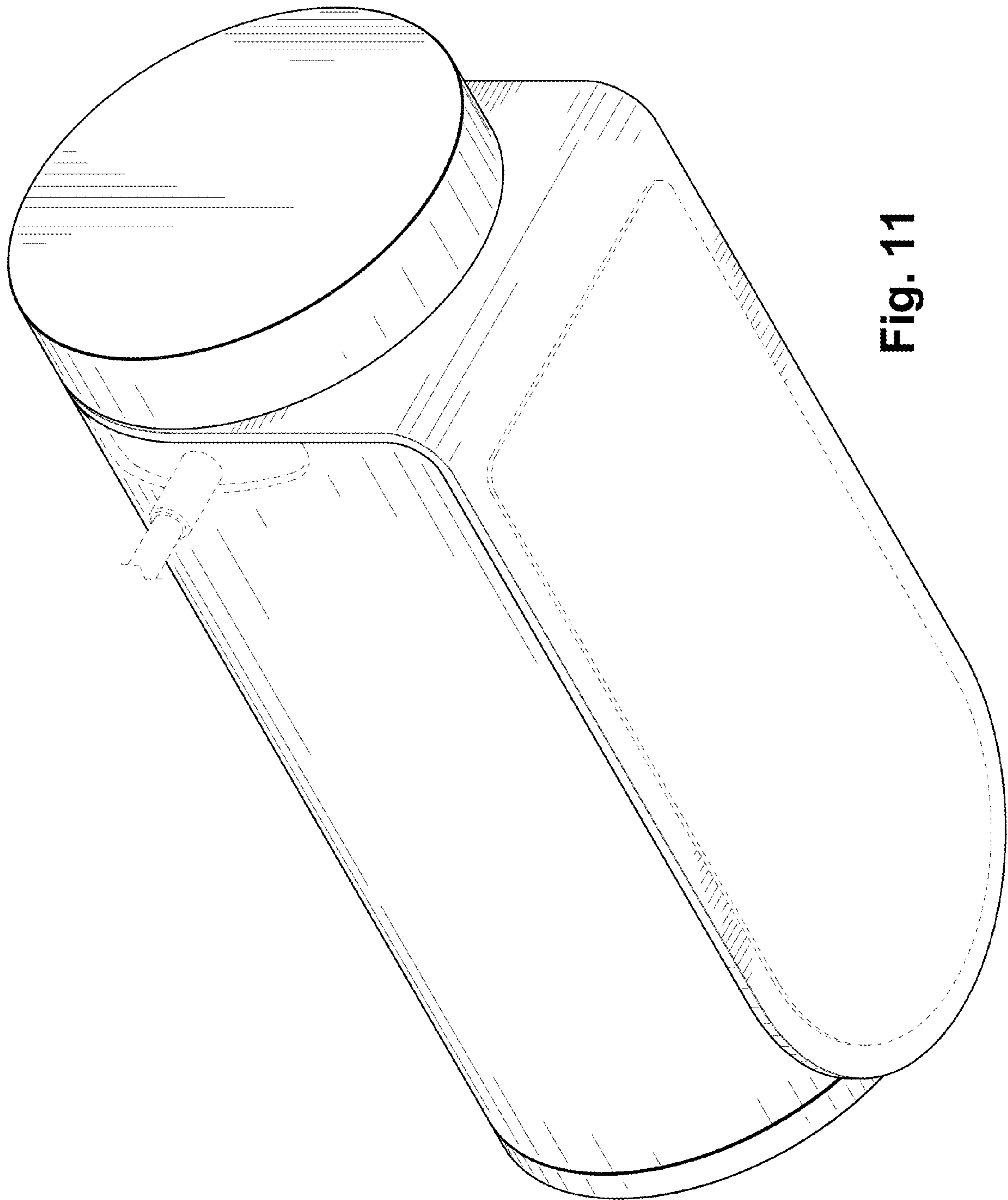


Fig. 11

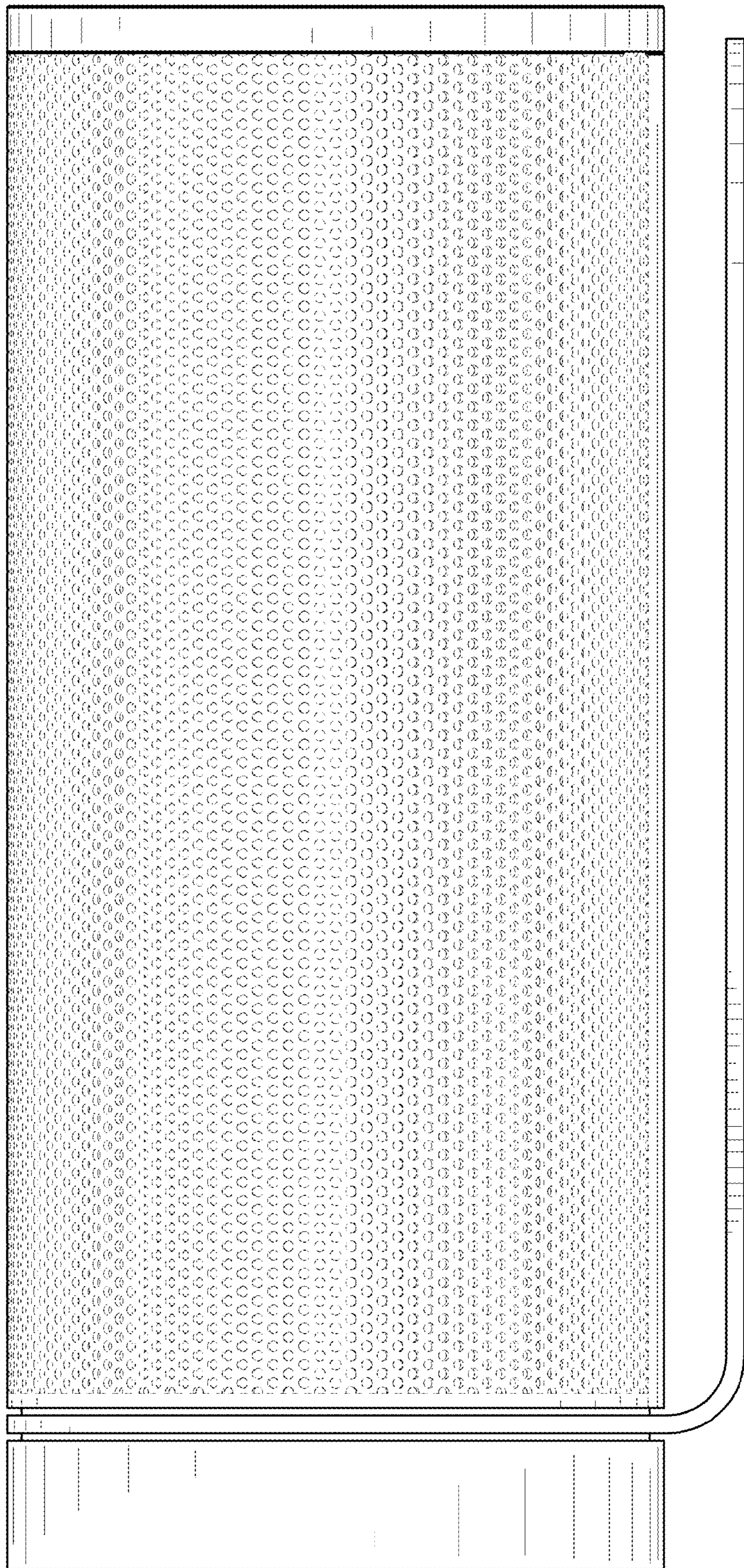


Fig. 12

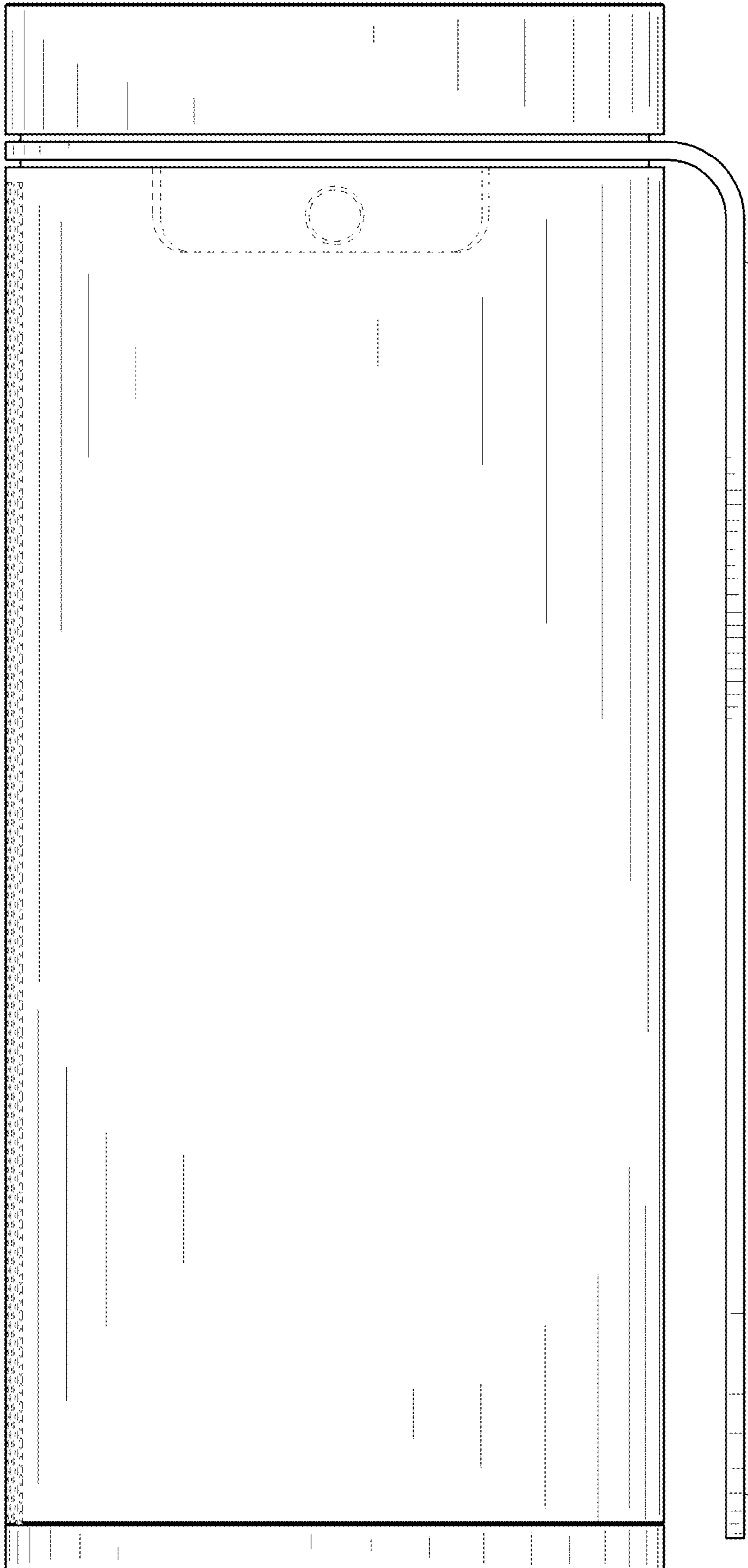


Fig. 13

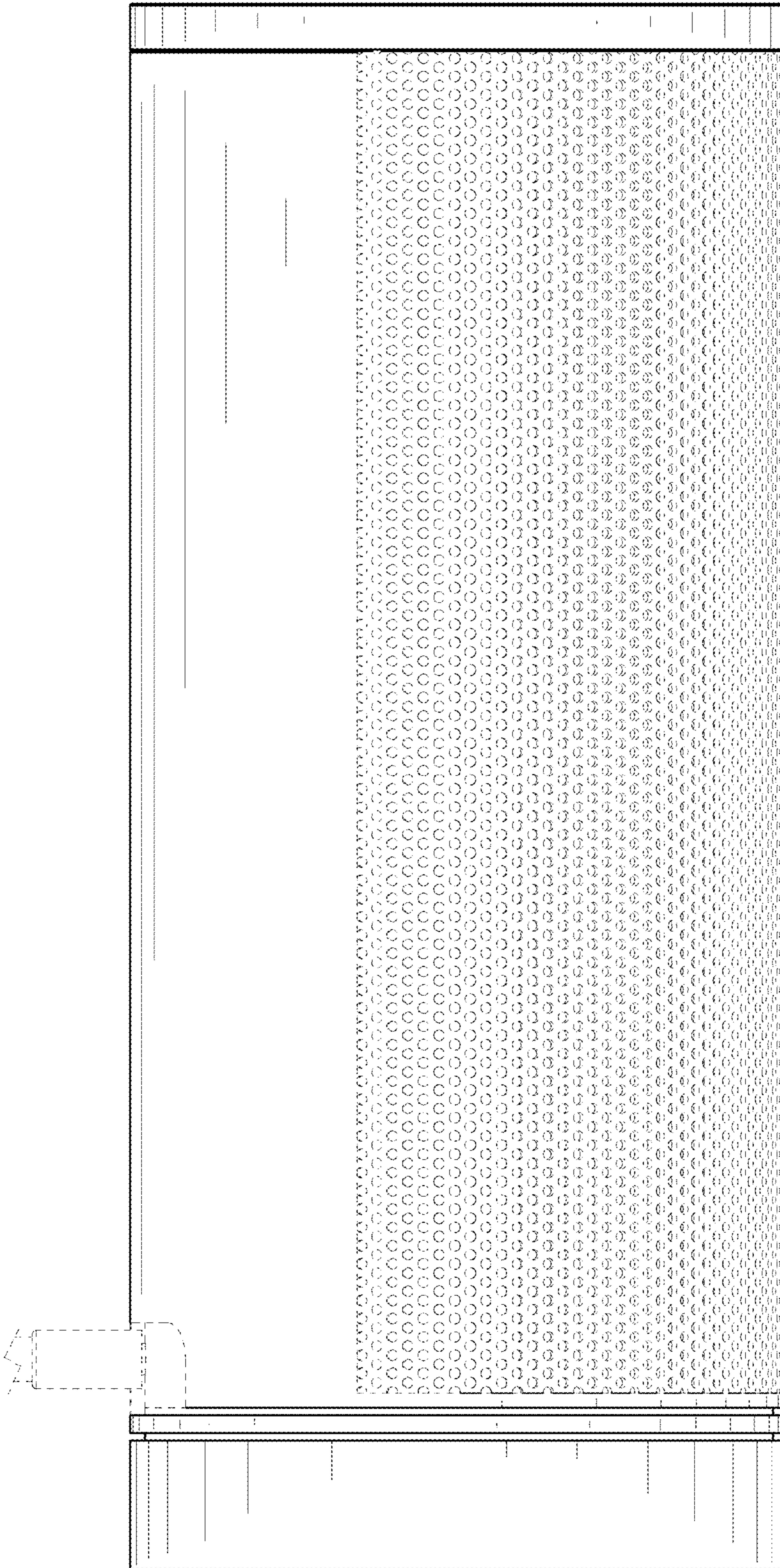


Fig. 14

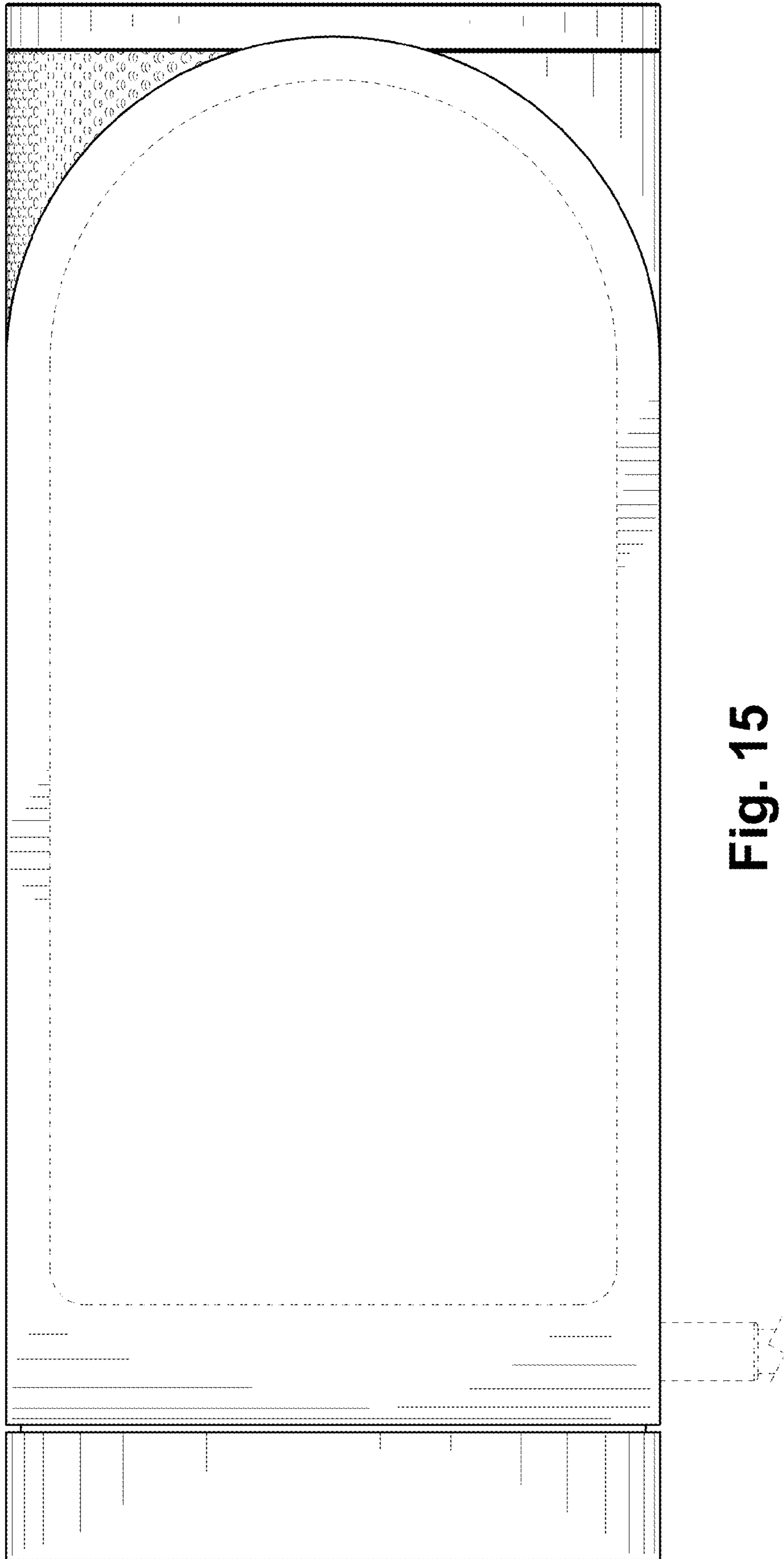


Fig. 15

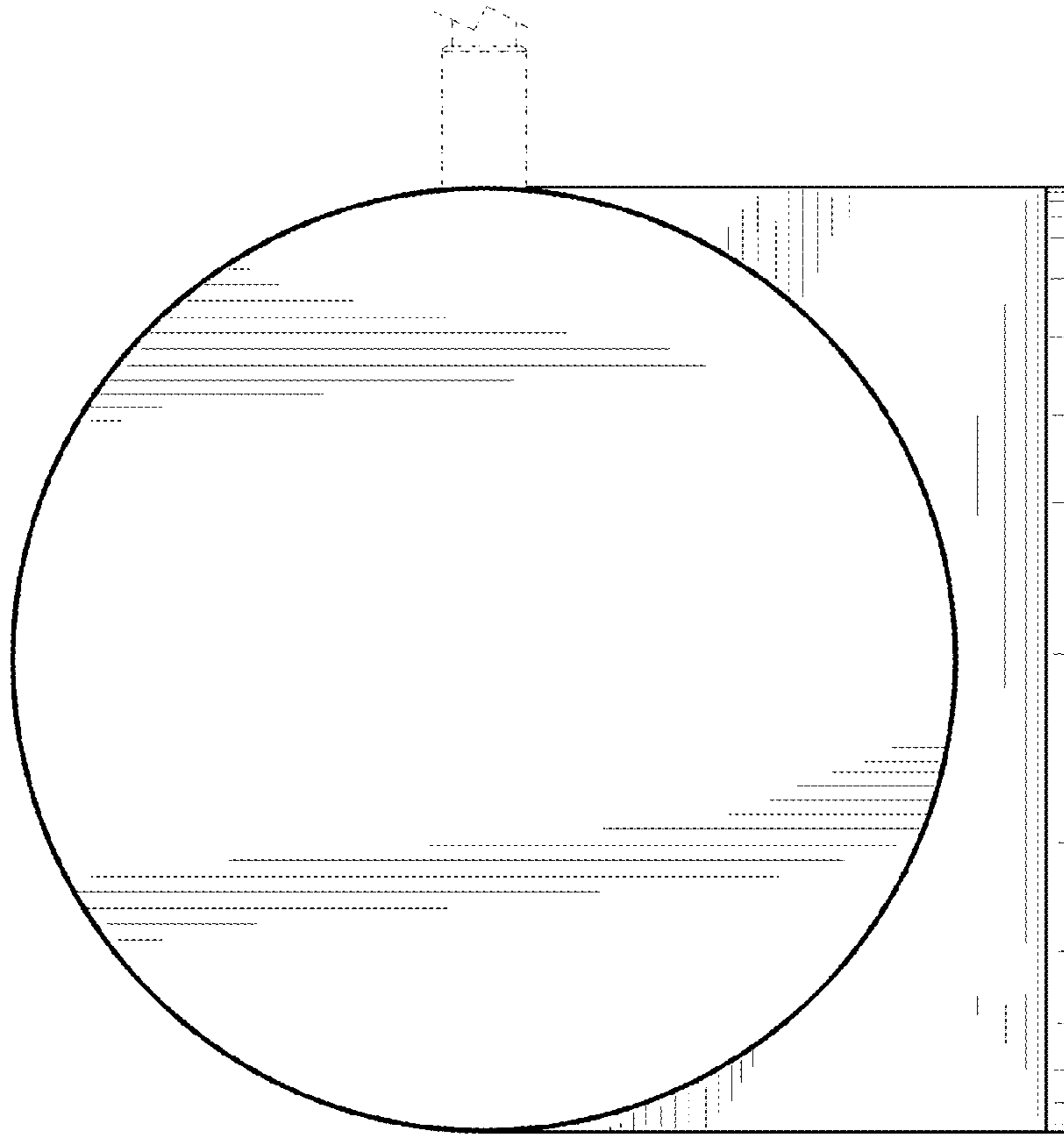


Fig. 16

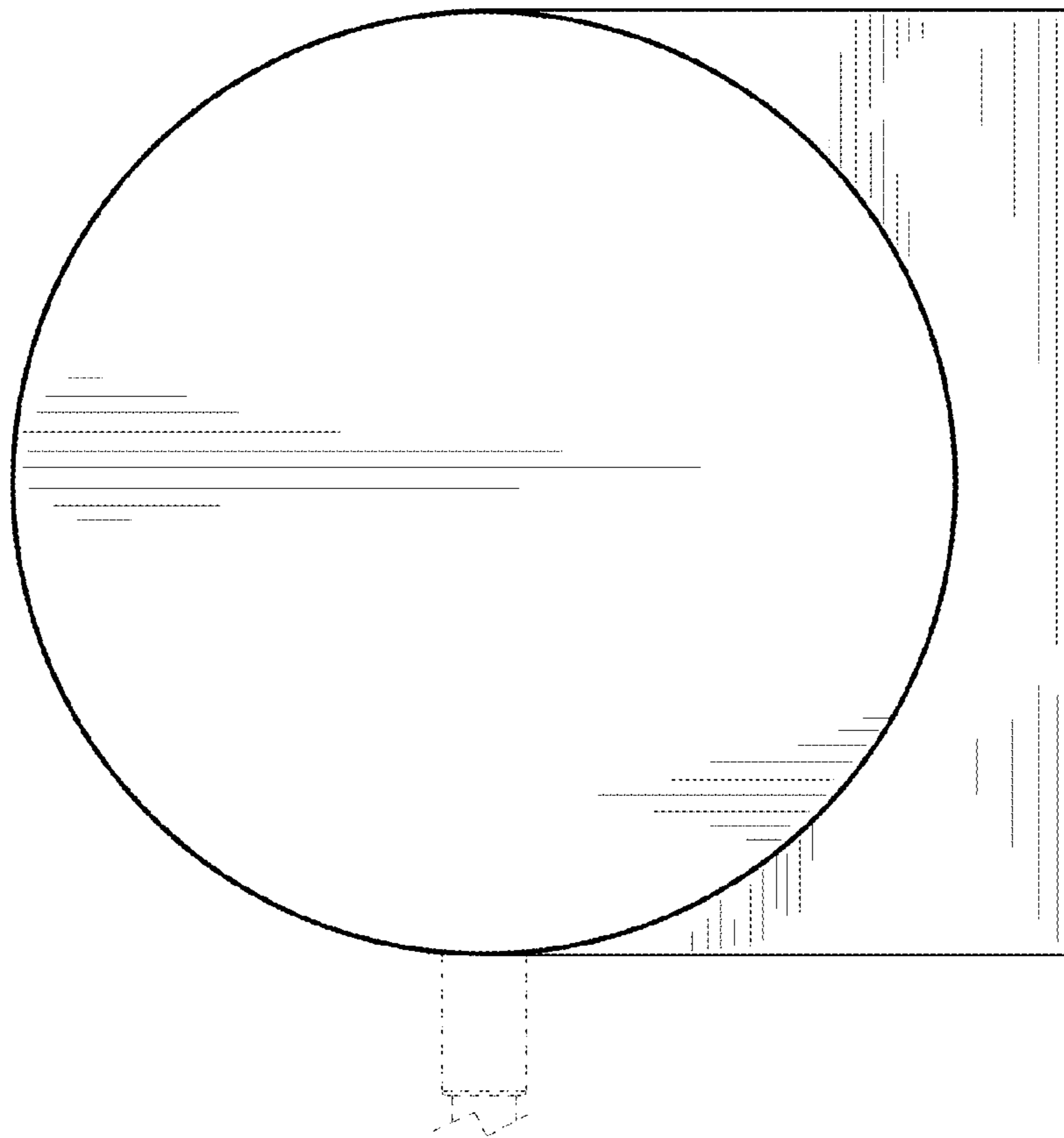


Fig. 17

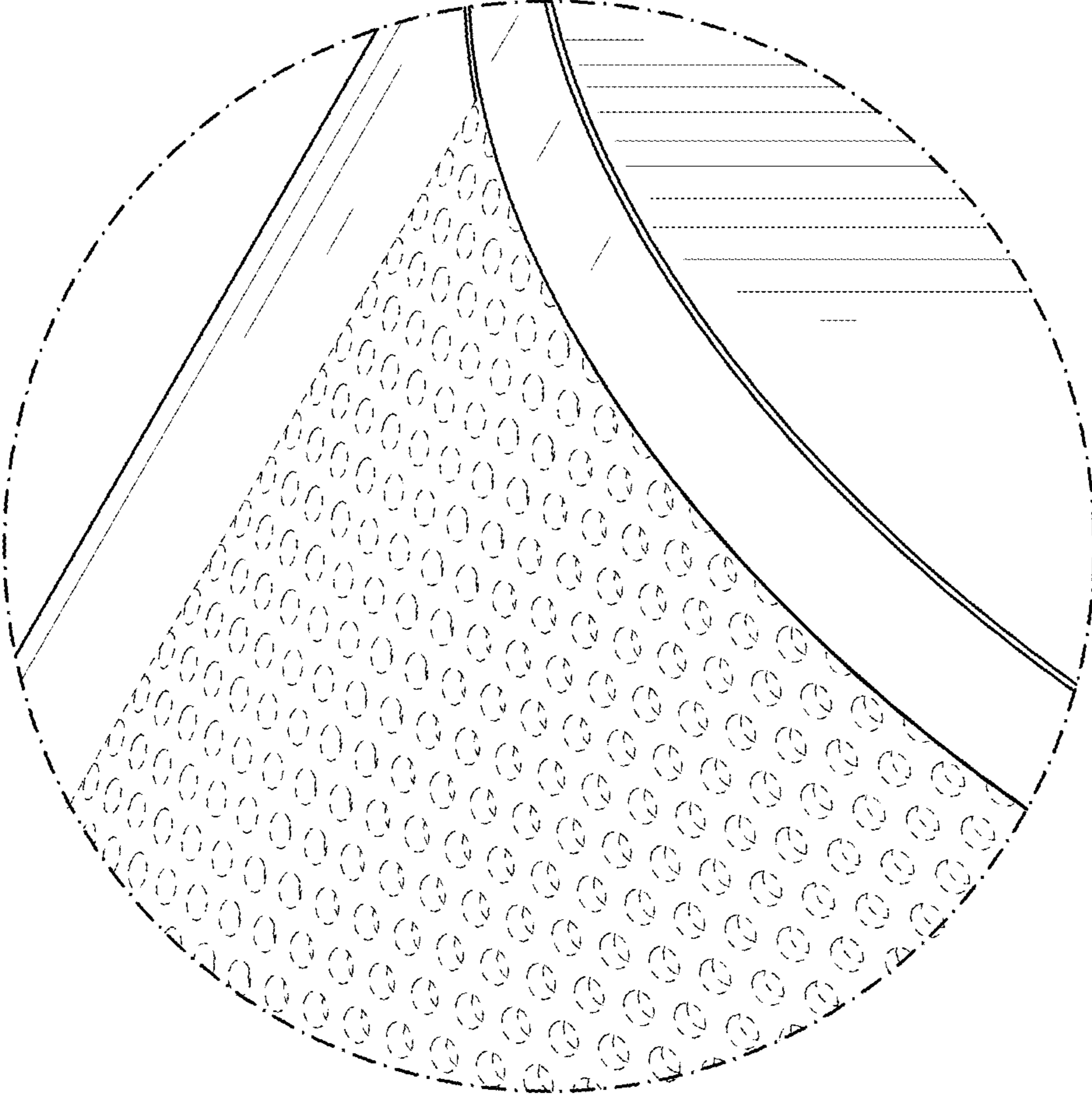


Fig. 18

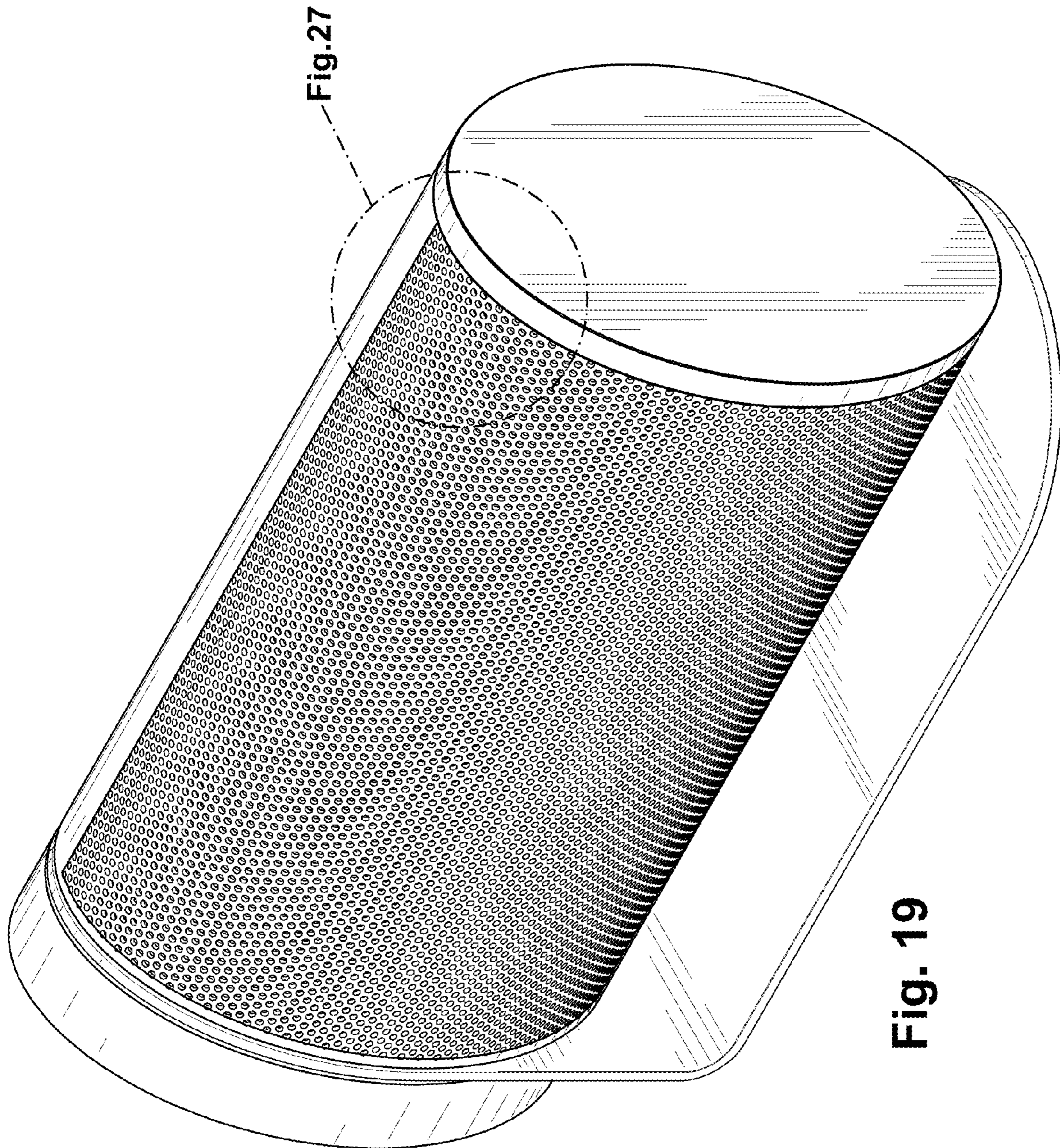


Fig. 19

Fig. 27

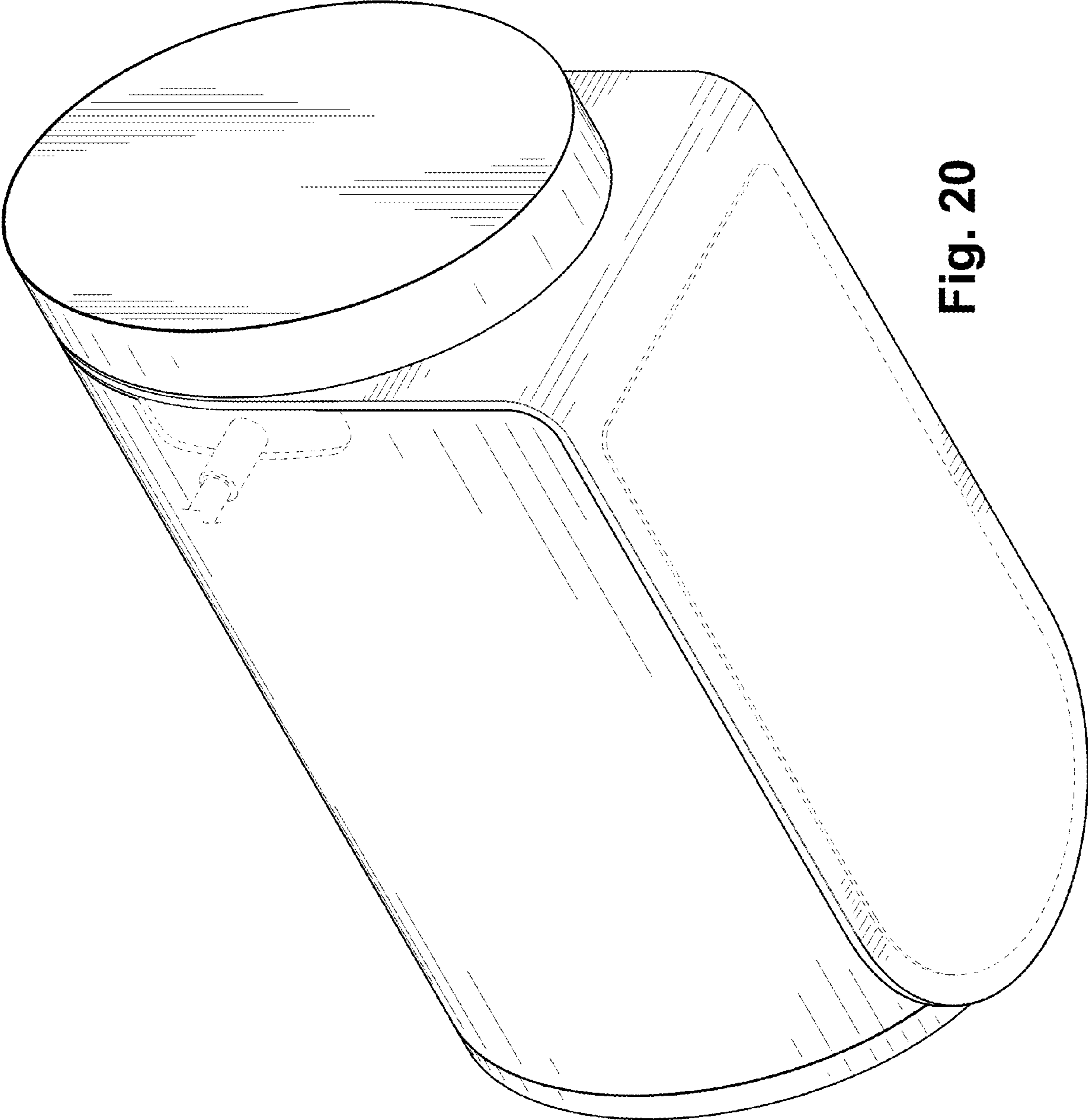


Fig. 20

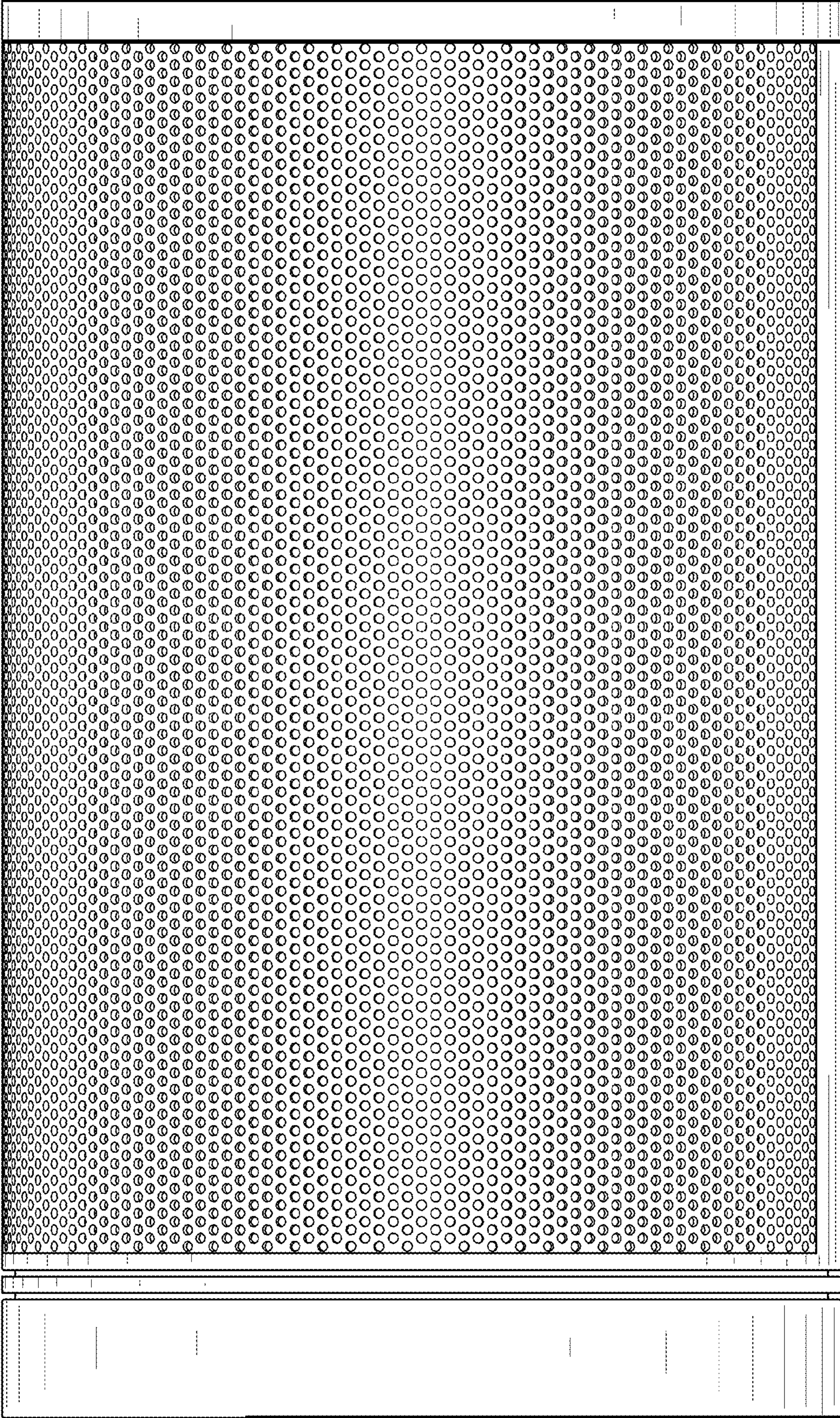


Fig. 21

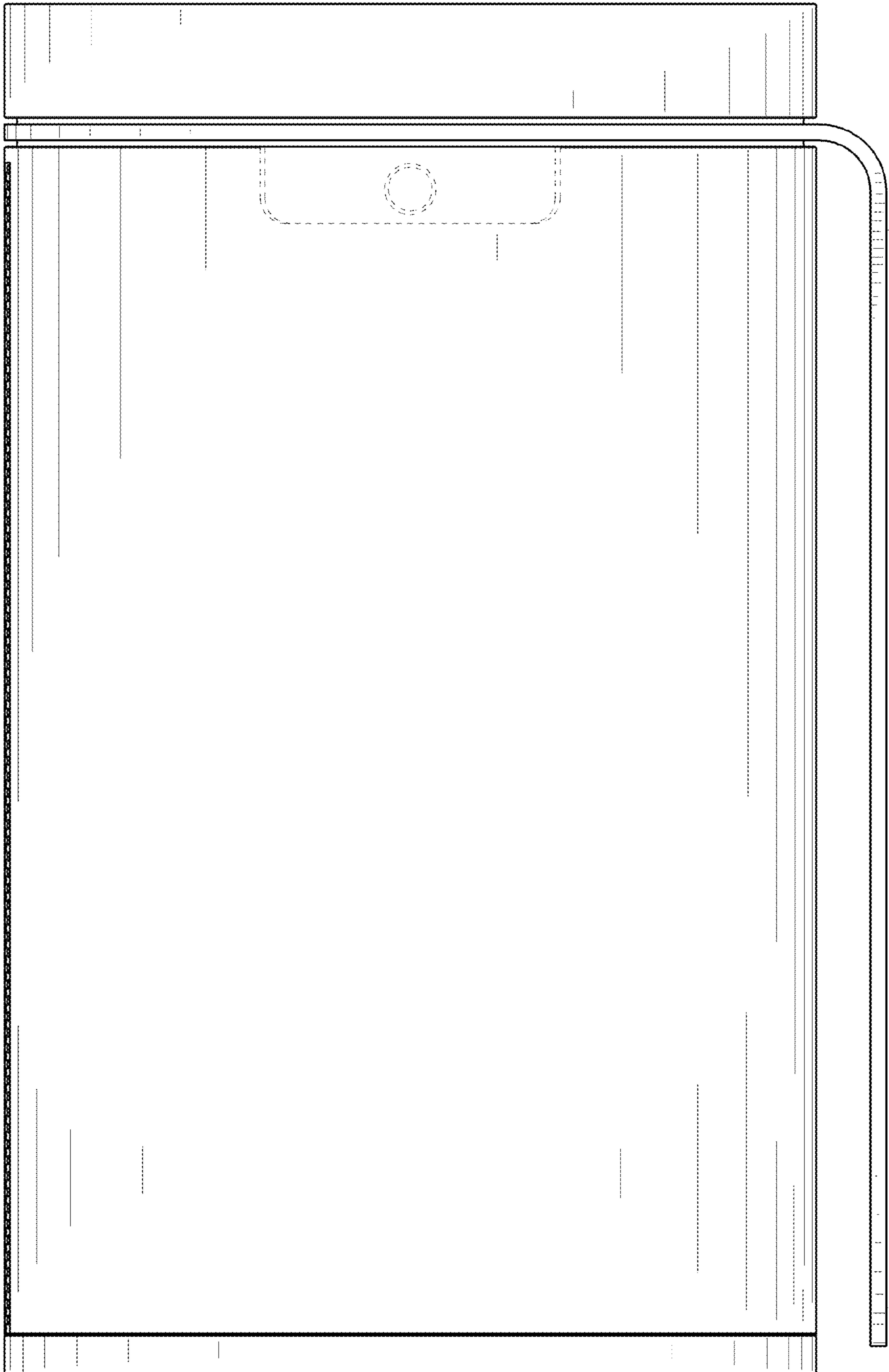


Fig. 22

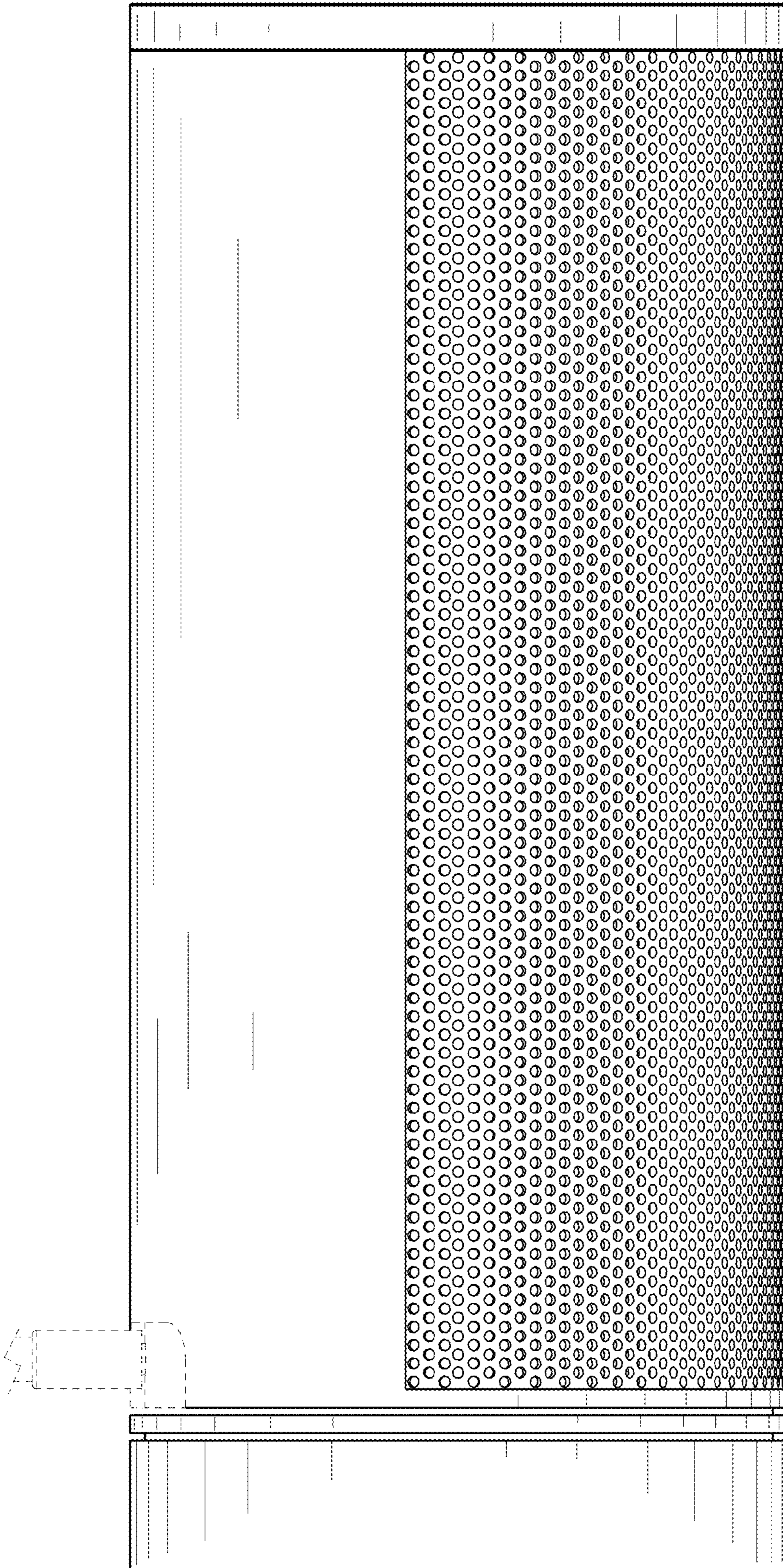


Fig. 23

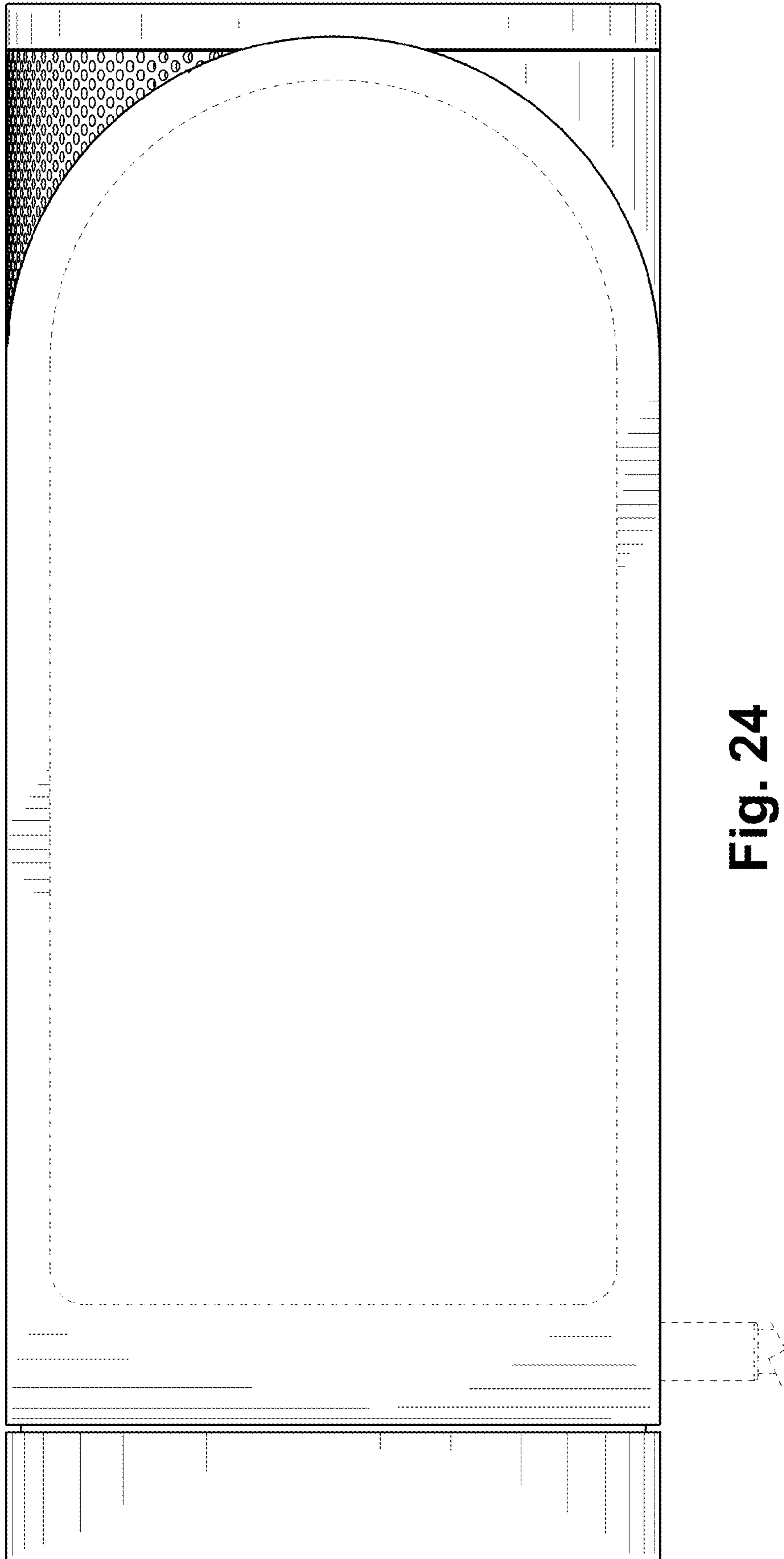


Fig. 24

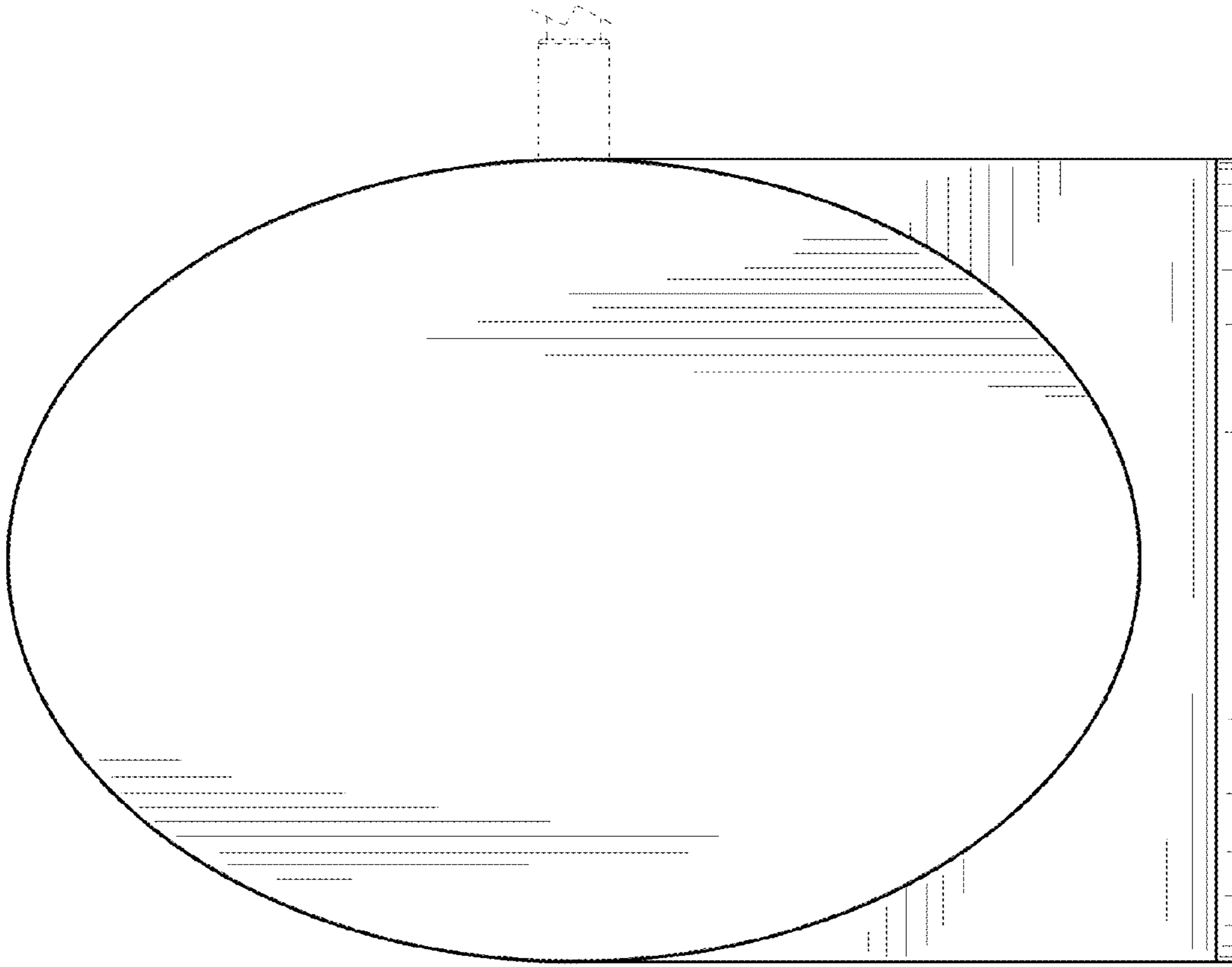


Fig. 25

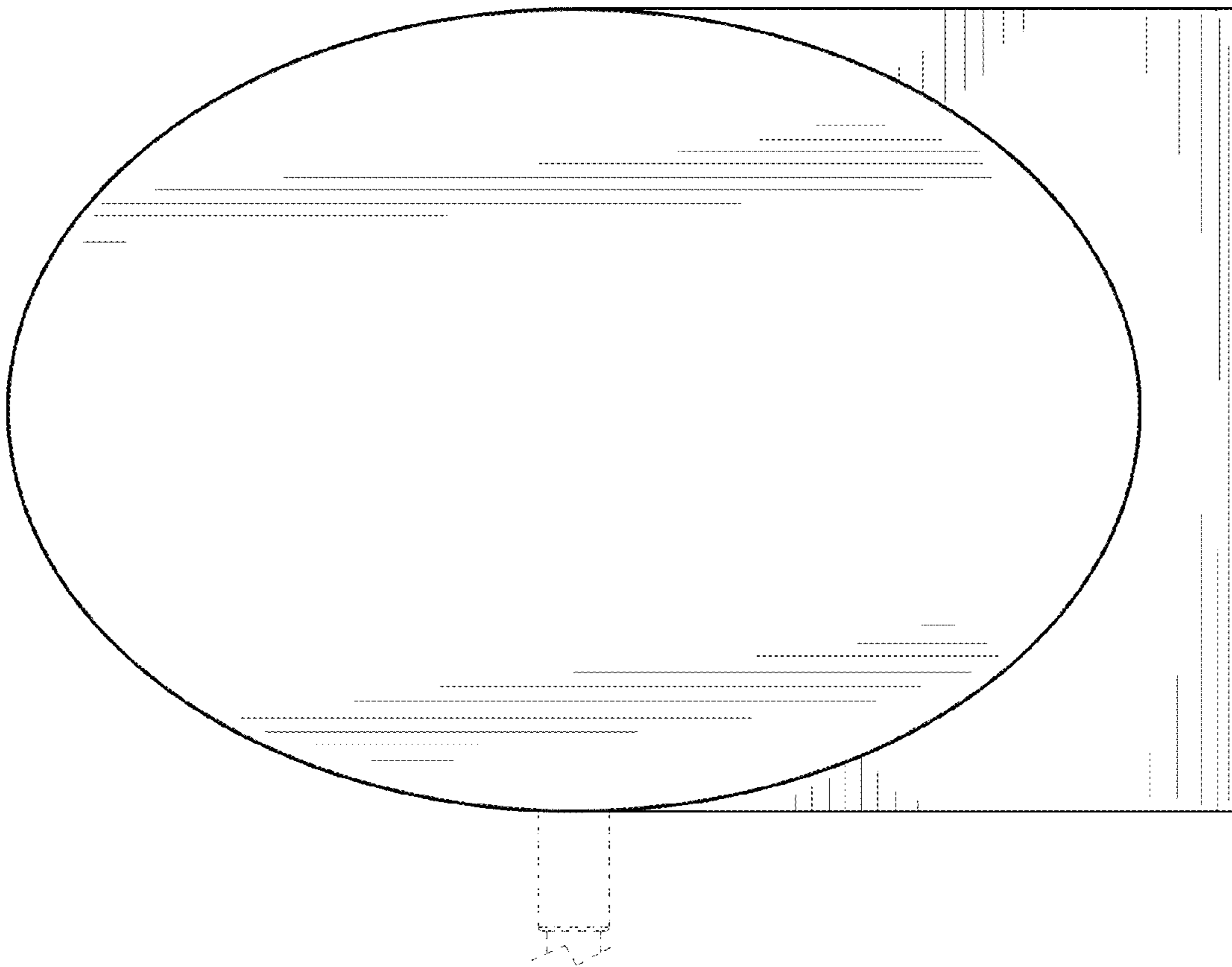


Fig. 26

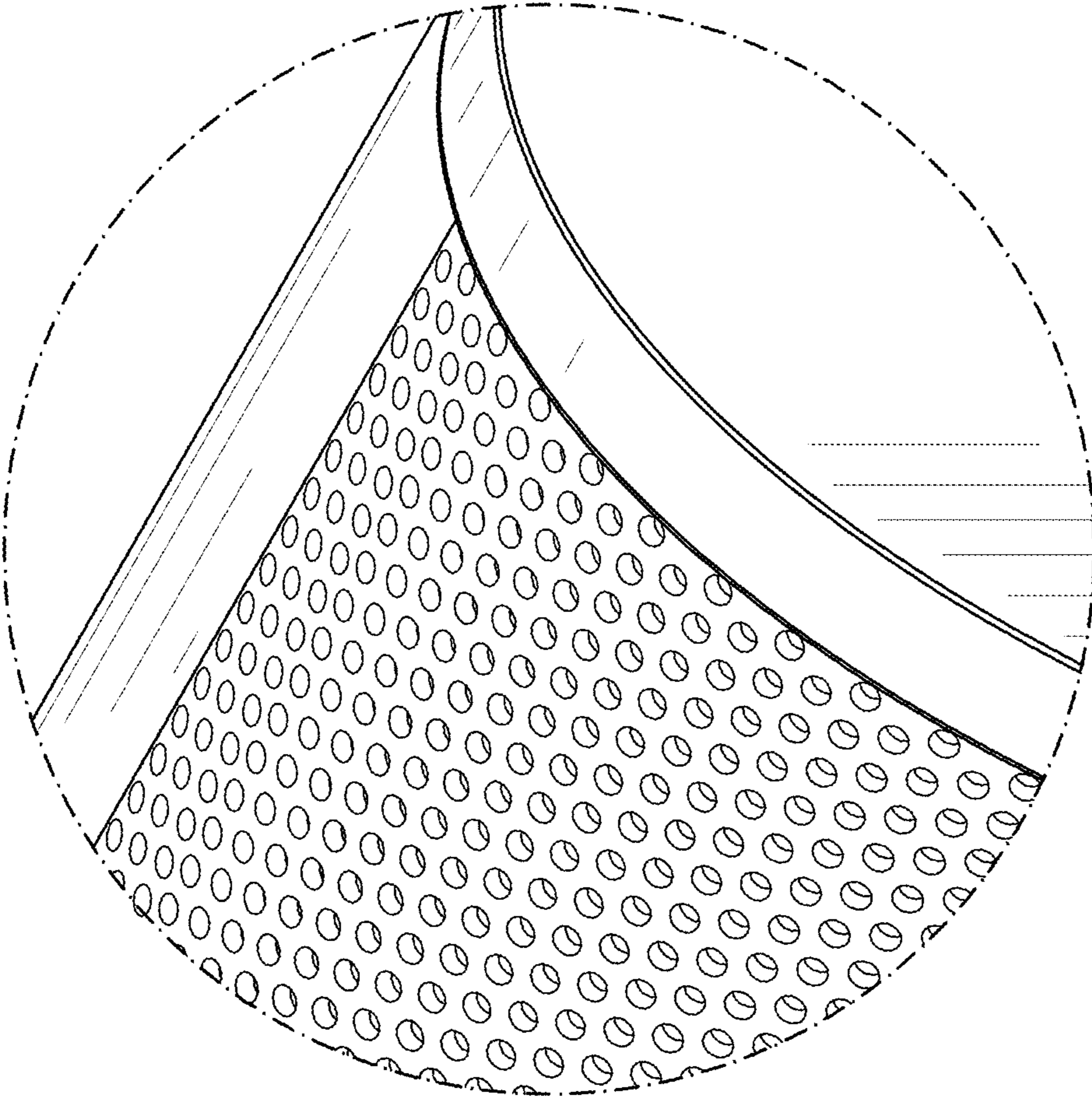


Fig. 27

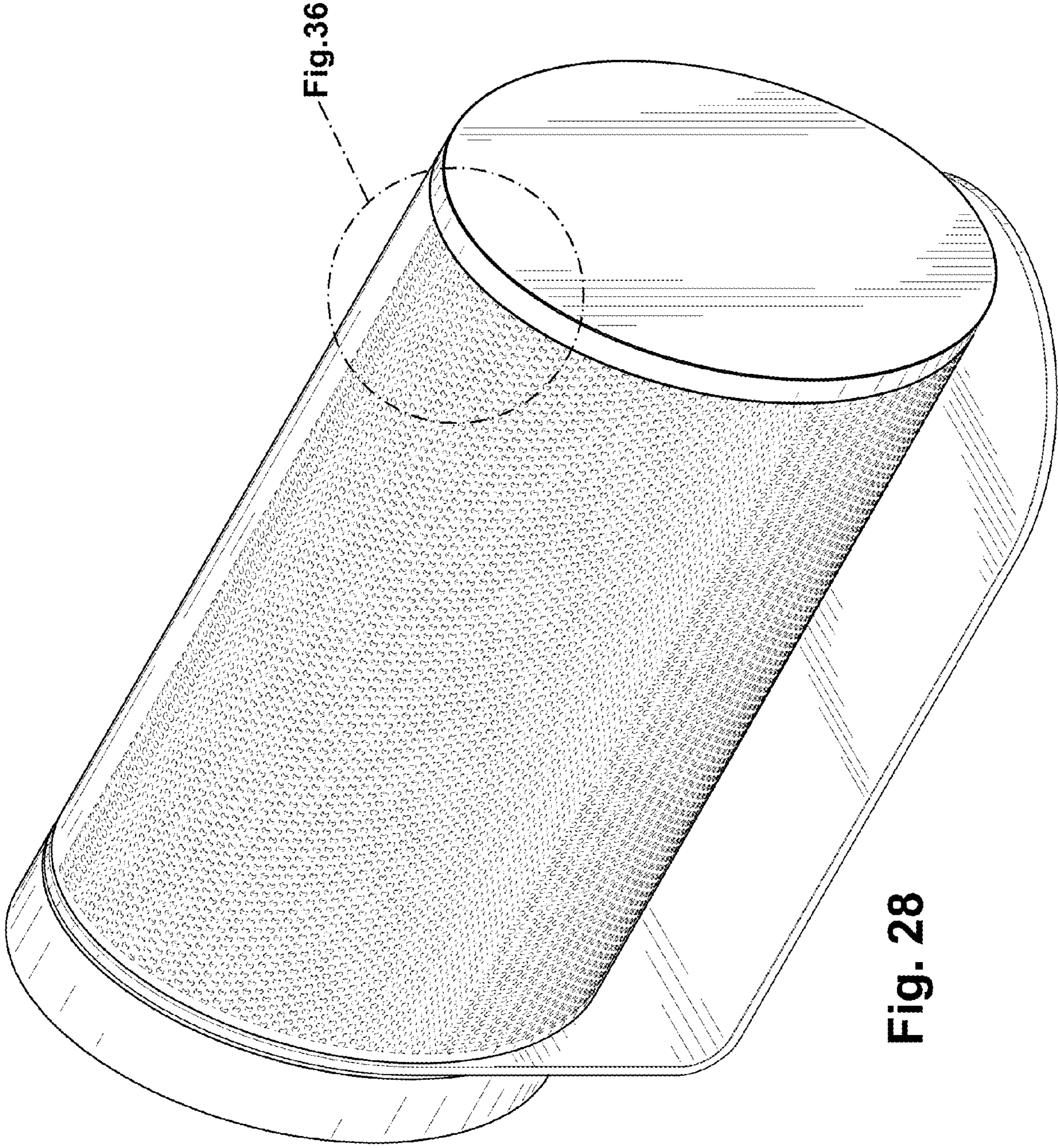


Fig. 36

Fig. 28

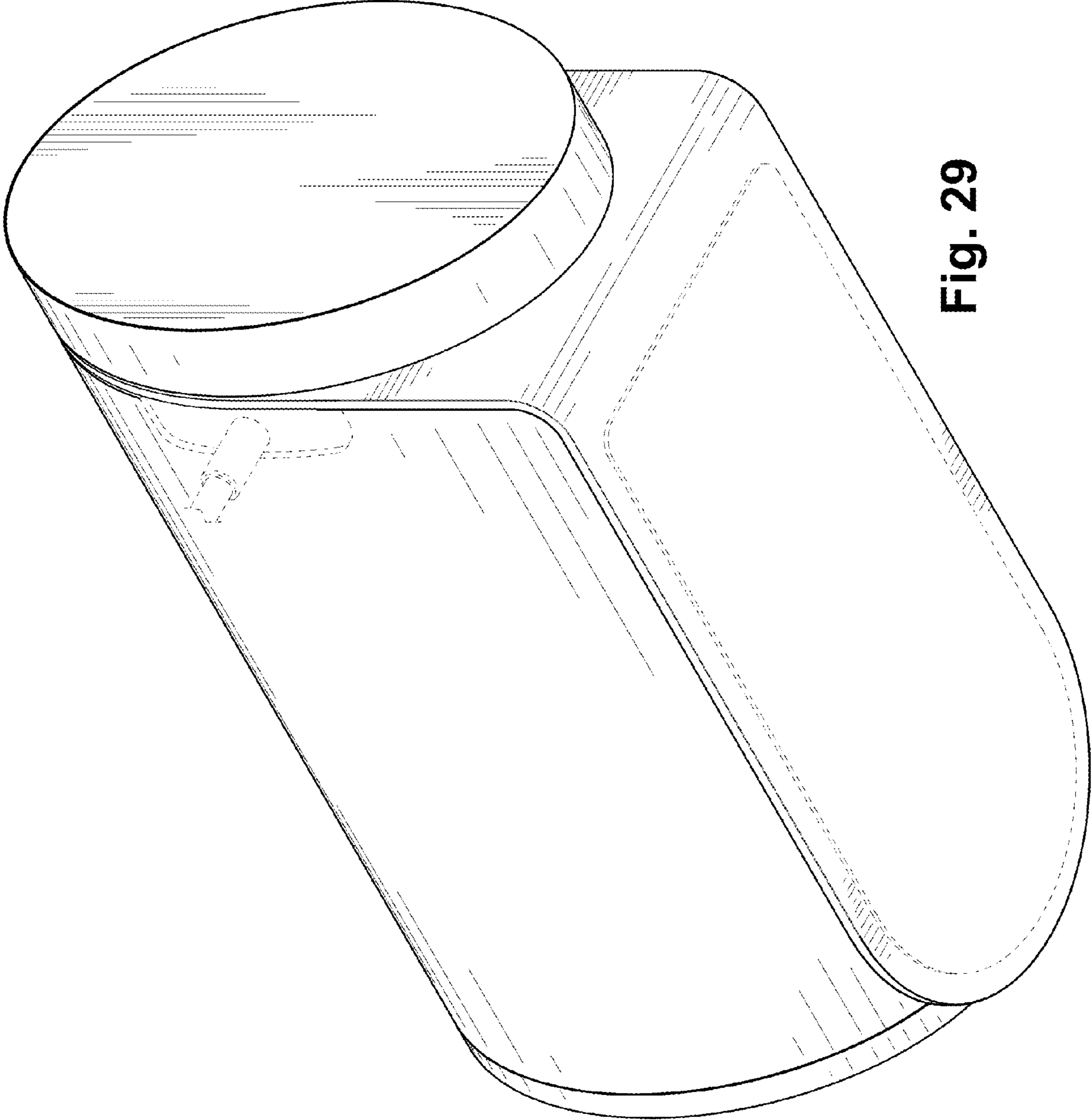


Fig. 29

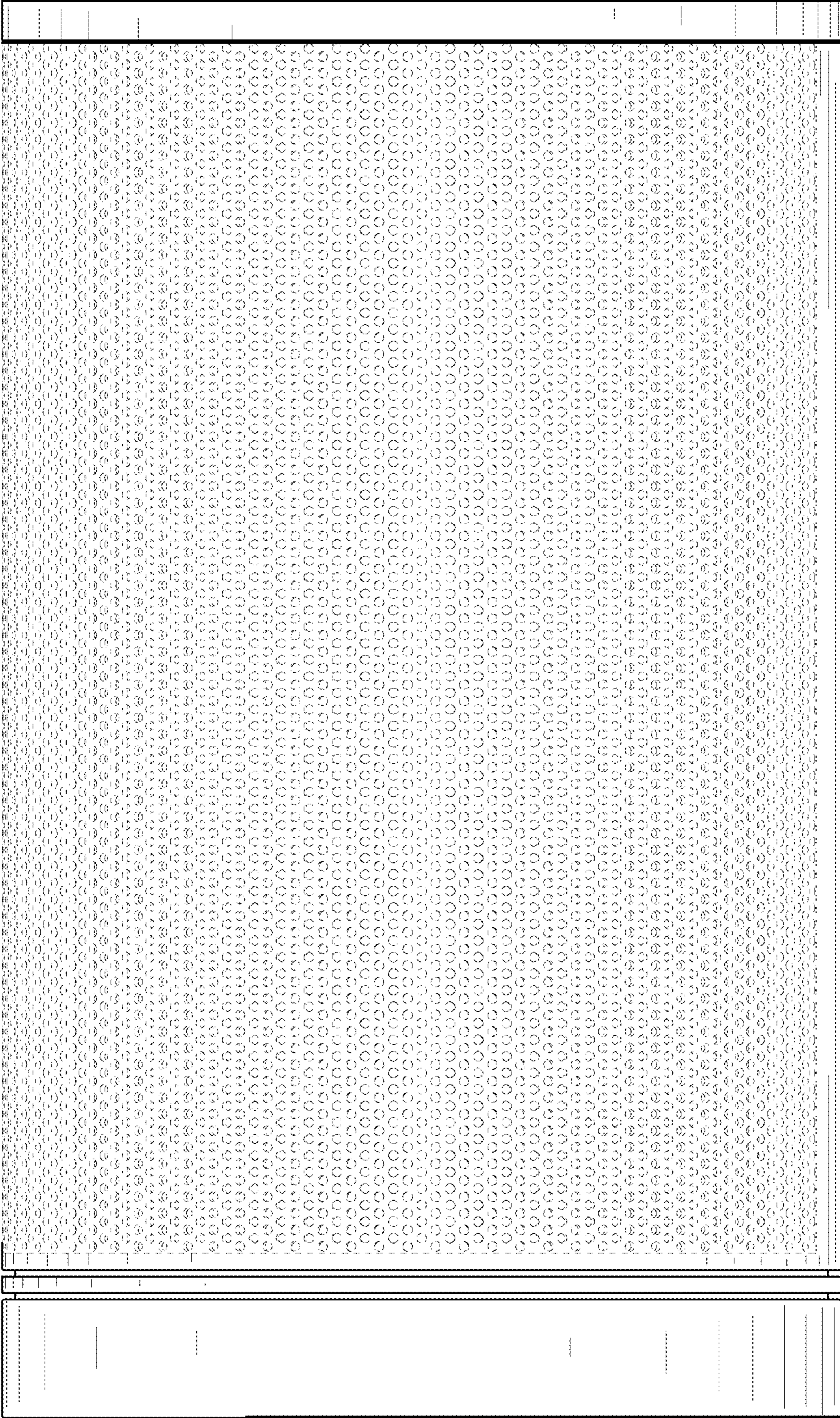


Fig. 30

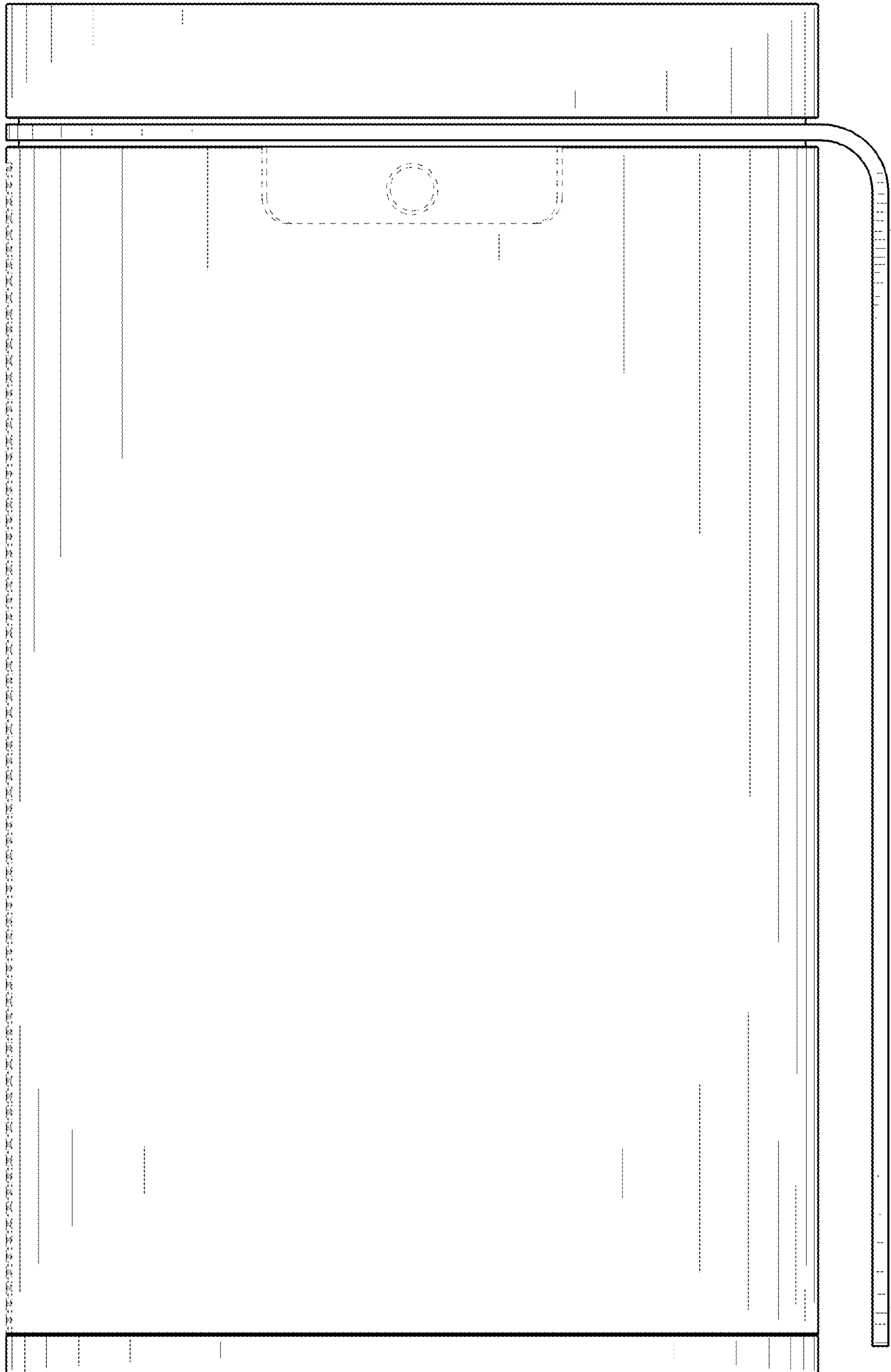


Fig. 31

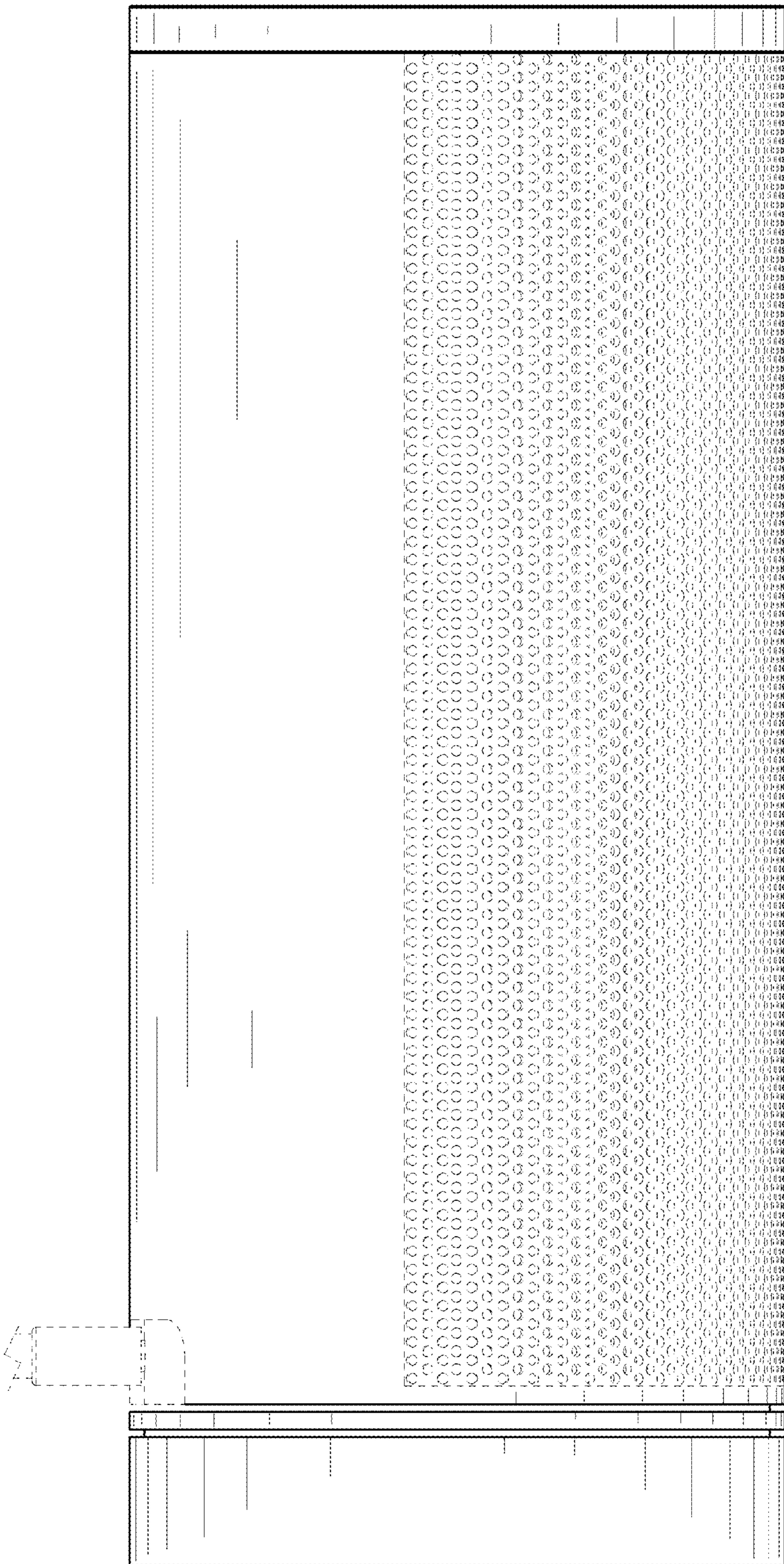


Fig. 32

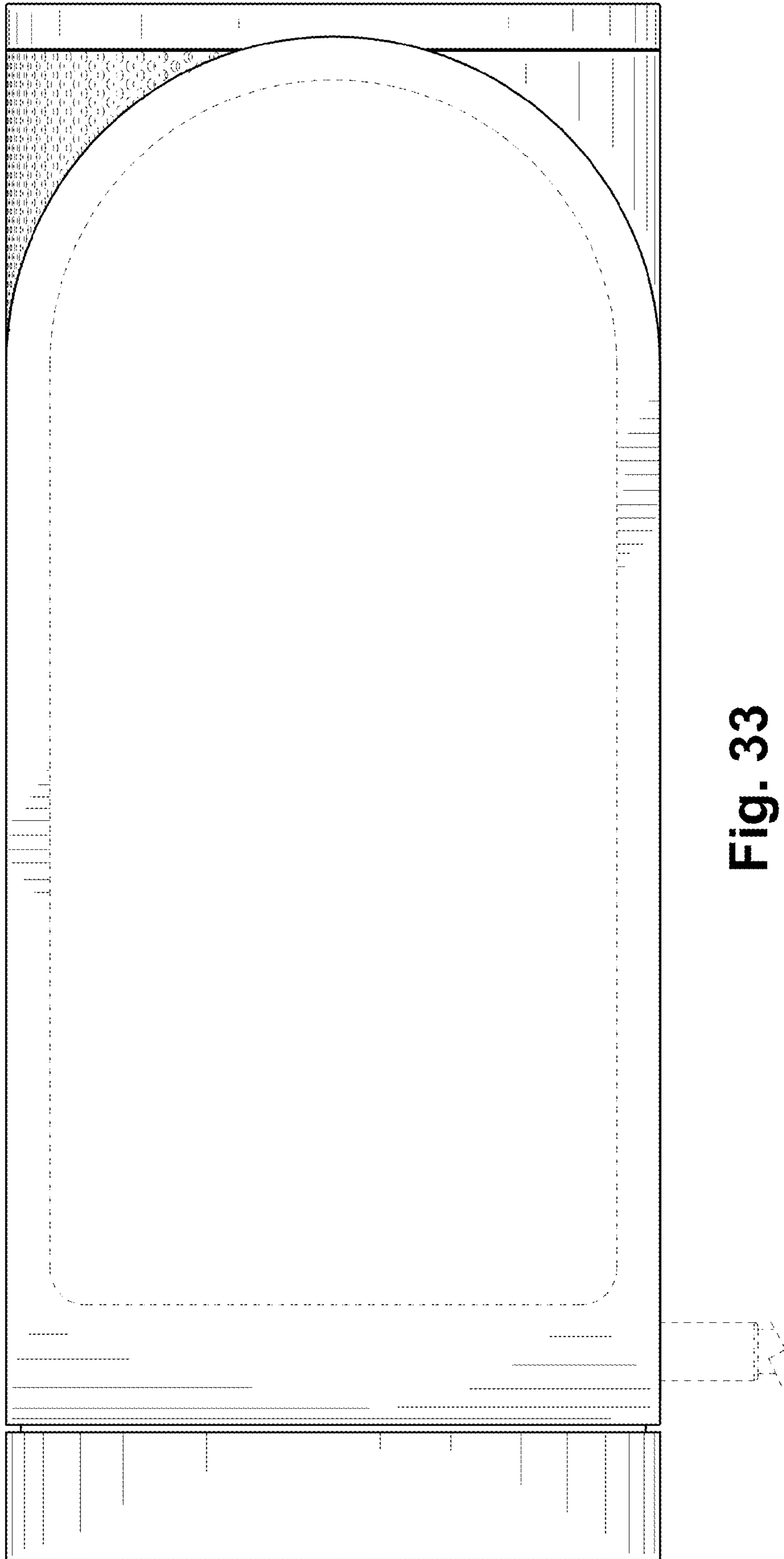


Fig. 33

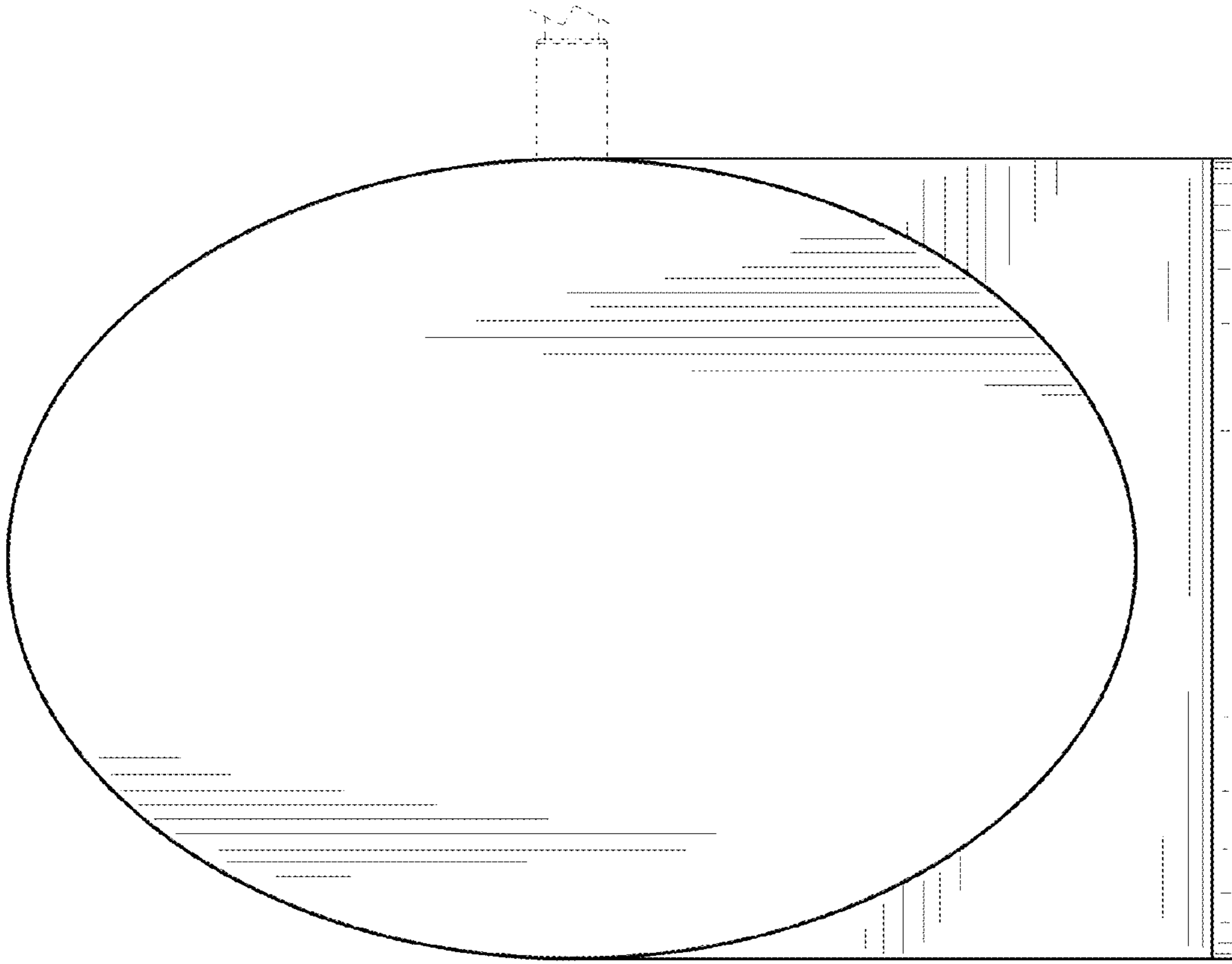


Fig. 35

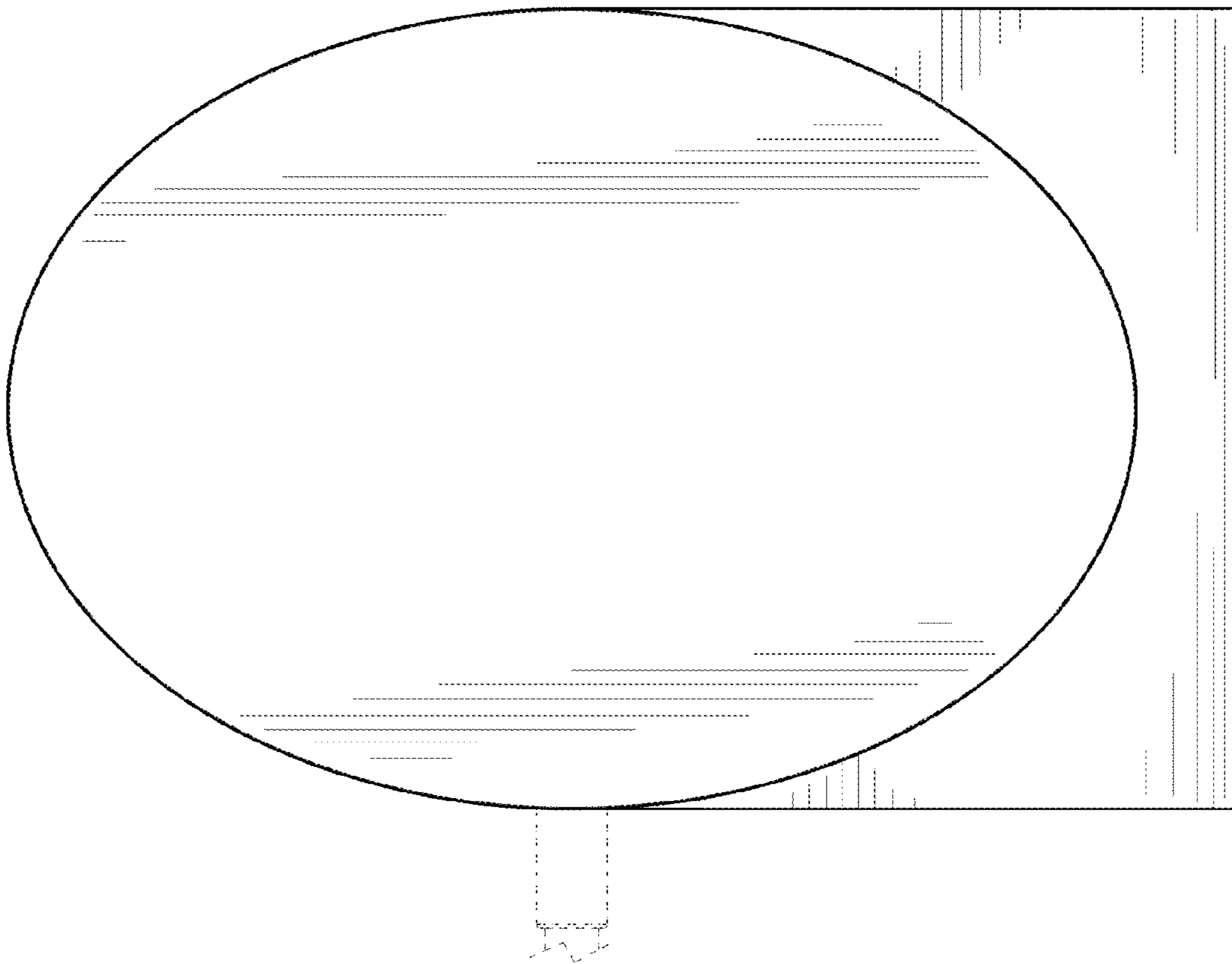


Fig. 34

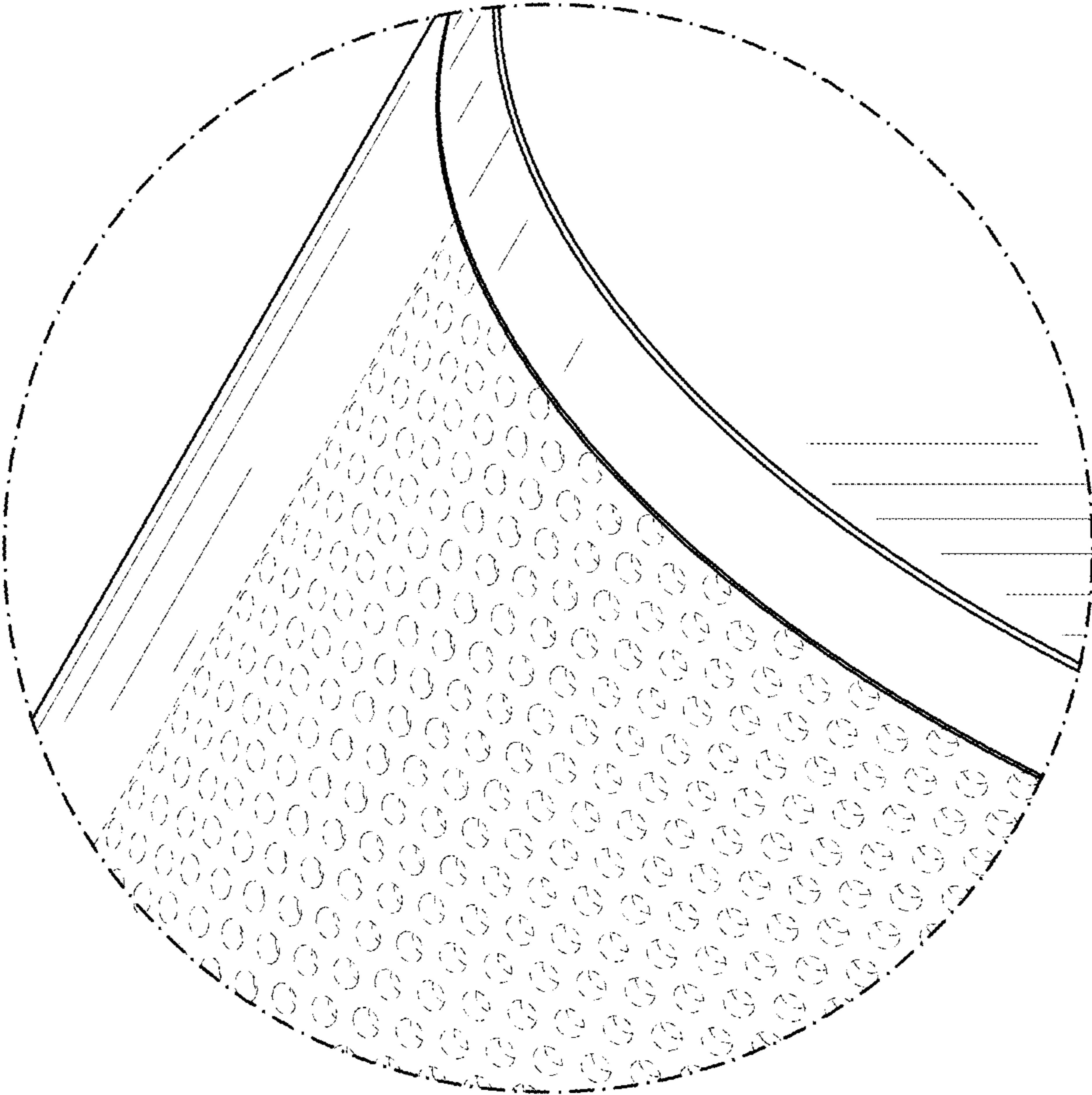


Fig. 36