



US00D944371S

(12) **United States Design Patent** (10) **Patent No.:** **US D944,371 S**  
**Pease et al.** (45) **Date of Patent:** **\*\* Feb. 22, 2022**

(54) **HEATER**

OTHER PUBLICATIONS

(71) Applicant: **VORNADO AIR, LLC**, Andover, KS (US)  
(72) Inventors: **Gregory Pease**, Andover, KS (US); **Byron Loibl**, Wichita, KS (US); **Brian Cartwright**, Wichita, KS (US); **Cooper Phillips**, Wichita, KS (US); **Samuel Parduhn**, Wichita, KS (US)

NewAir, Quietheat15B, 1500 Watt Portable Ceramic Space Heater, first available Sep. 23, 2017[online], [site visited Sep. 29, 2021]. Available from internet, URL:< https://www.amazon.com/NewAir-Quietheat15-Portable-Ceramic-Coverage/dp/B075VL5QDH> (Year: 2017).\*  
Vornado Velocity 5 Whole Room Space Heater, date unavailable[online], [site visited Sep. 29, 2021]. Available from internet, URL:< https://www.amazon.com/Vornado-Velocity-Climate-Control-Features/dp/B08B45VPD8> (Year: 2021).\*

(73) Assignee: **Vornado Air, LLC**, Andover, KS (US)

\* cited by examiner

(\*\*) Term: **15 Years**

*Primary Examiner* — Barbara Fox

(21) Appl. No.: **29/748,195**

*Assistant Examiner* — Jamaal Rasheed

(22) Filed: **Aug. 27, 2020**

(74) *Attorney, Agent, or Firm* — Avyno Law P.C.

(51) **LOC (13) Cl.** ..... **23-01**

(52) **U.S. Cl.**  
USPC ..... **D23/335**

(57) **CLAIM**

(58) **Field of Classification Search**  
USPC ..... D23/328, 332, 335–337, 355  
CPC ..... F27D 5/00  
See application file for complete search history.

We claim the ornamental design for a heater, as shown and described.

**DESCRIPTION**

(56) **References Cited**

**U.S. PATENT DOCUMENTS**

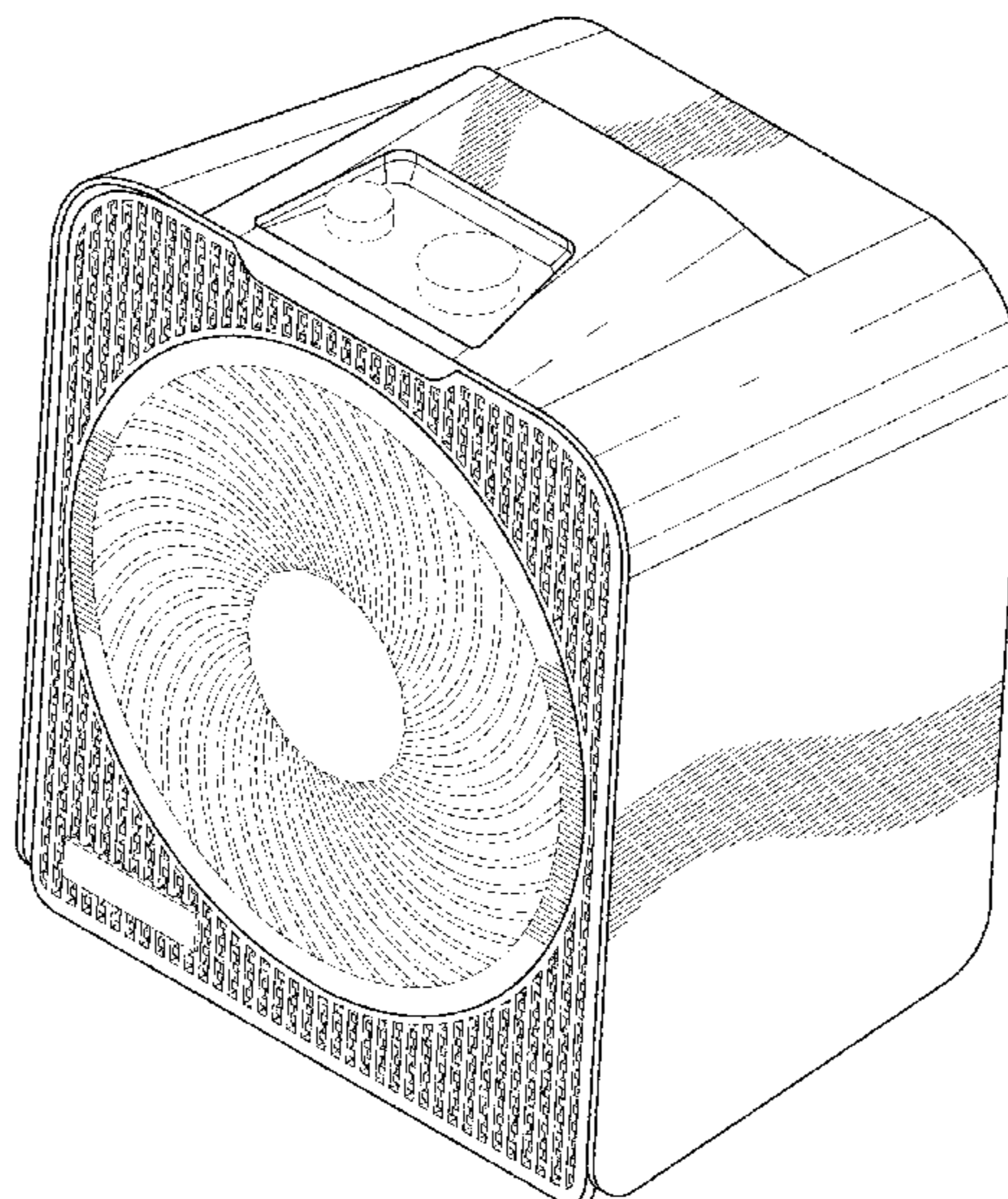
|              |         |            |       |         |
|--------------|---------|------------|-------|---------|
| D282,101 S * | 1/1986  | Yuen       | ..... | D23/328 |
| D418,591 S * | 1/2000  | Birdsell   | ..... | D23/335 |
| D513,068 S * | 12/2005 | Blateri    | ..... | D23/335 |
| D626,641 S * | 11/2010 | Ediger     | ..... | D23/335 |
| D633,608 S * | 3/2011  | Shapiro    | ..... | D23/314 |
| D636,858 S * | 4/2011  | Ediger     | ..... | D23/335 |
| D654,578 S * | 2/2012  | Ediger     | ..... | D23/342 |
| D804,001 S * | 11/2017 | Cartwright | ..... | D23/355 |
| D822,805 S * | 7/2018  | Ediger     | ..... | D23/332 |
| D888,218 S * | 6/2020  | Wang       | ..... | D23/370 |
| D895,780 S * | 9/2020  | Israel     | ..... | D23/335 |

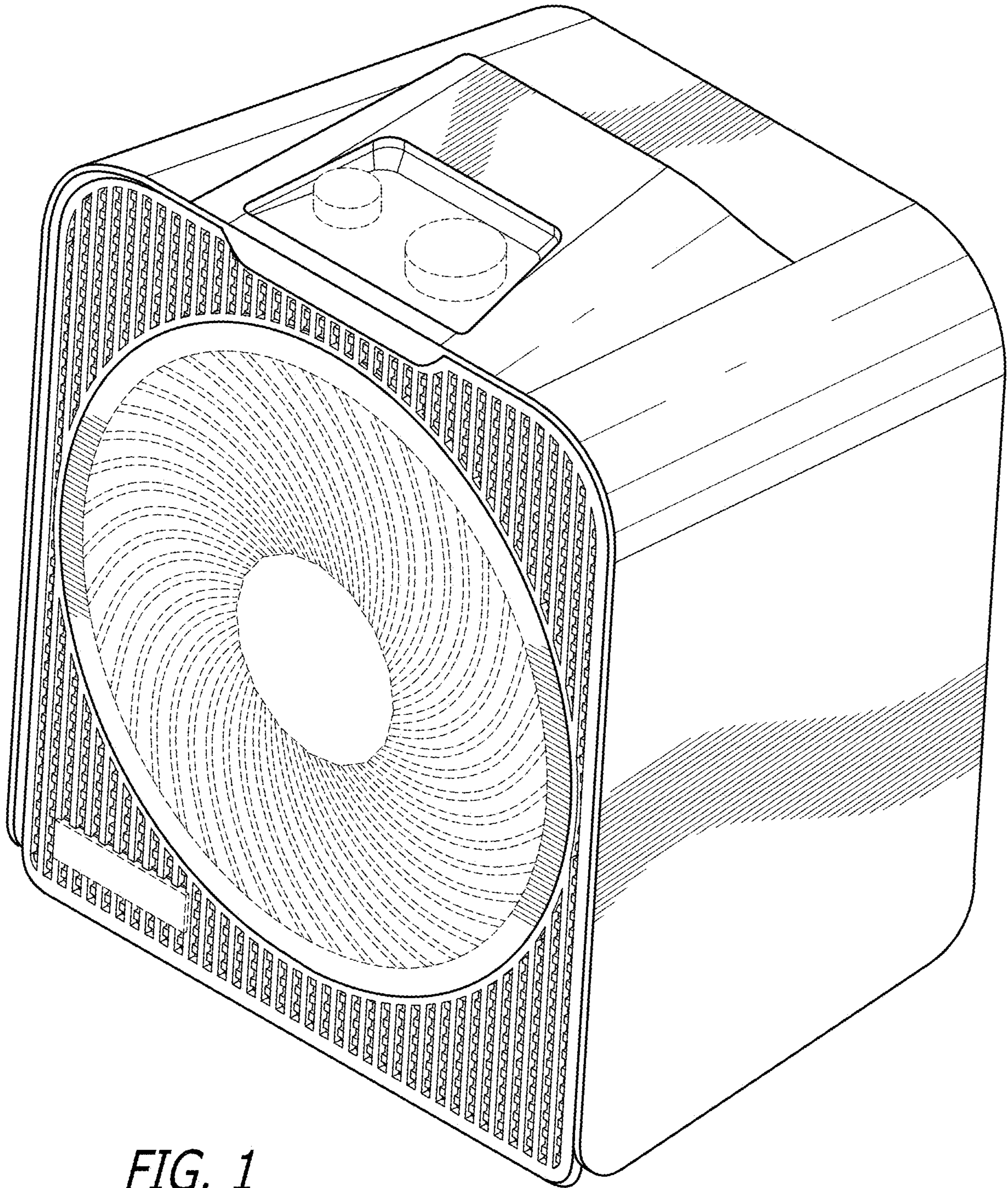
FIG. 1 is a front perspective view of a heater of the present invention.  
FIG. 2 is a rear perspective view of a heater of the present invention.  
FIG. 3 is a front elevation view of the heater of FIG. 1.  
FIG. 4 is a rear elevation view of the heater of FIG. 1.  
FIG. 5 is a side elevation view of the right side of the heater of FIG. 1.  
FIG. 6 is a side elevation view of the left side of the heater of FIG. 1.  
FIG. 7 is a top plan view of the heater of FIG. 1; and,  
FIG. 8 is a bottom plan view of the heater of FIG. 1.  
In the drawings, the broken lines depict portions of the heater that form no part of the claimed design.

**FOREIGN PATENT DOCUMENTS**

CN 306796903 \* 2/2021

**1 Claim, 8 Drawing Sheets**





*FIG. 1*

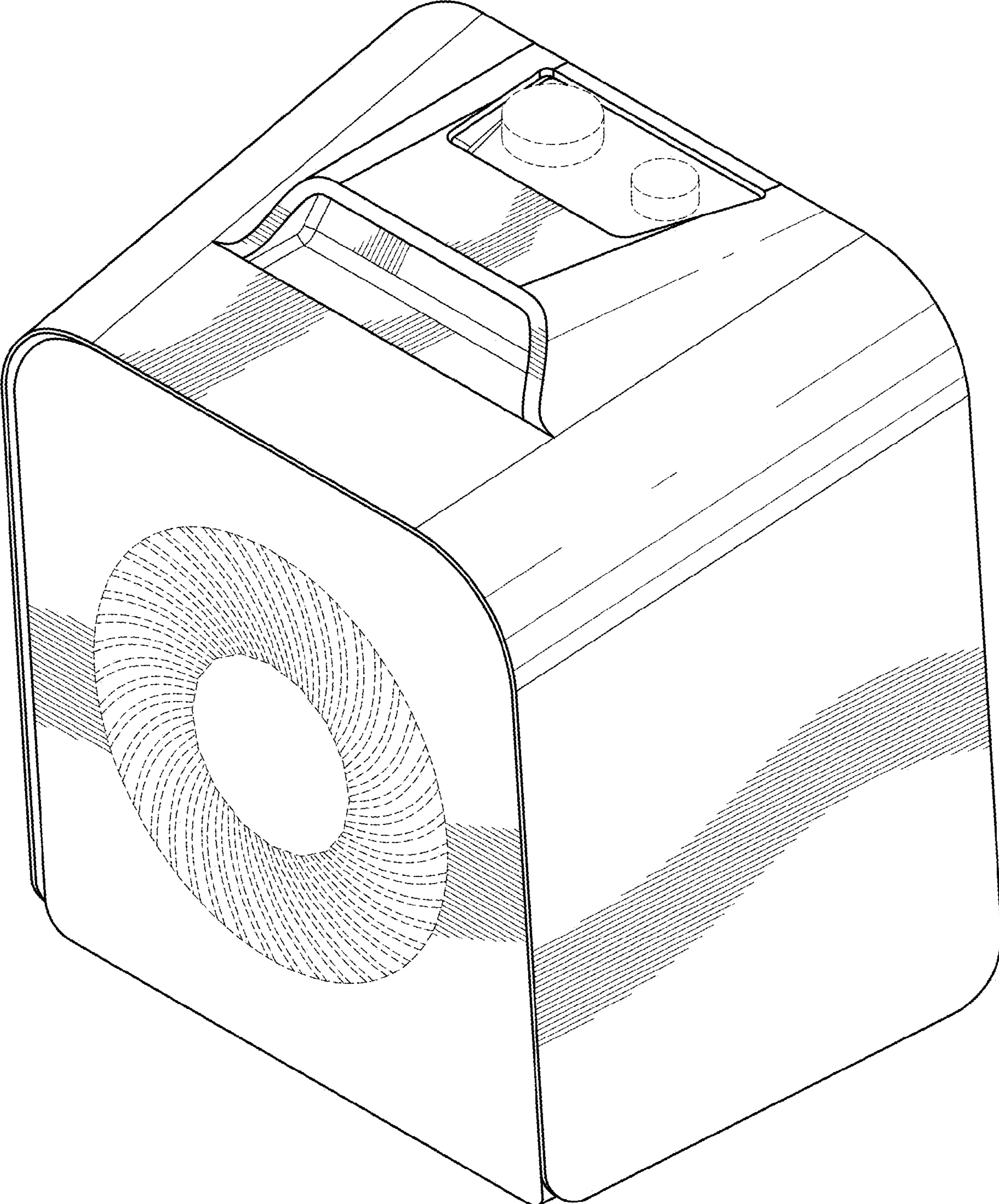
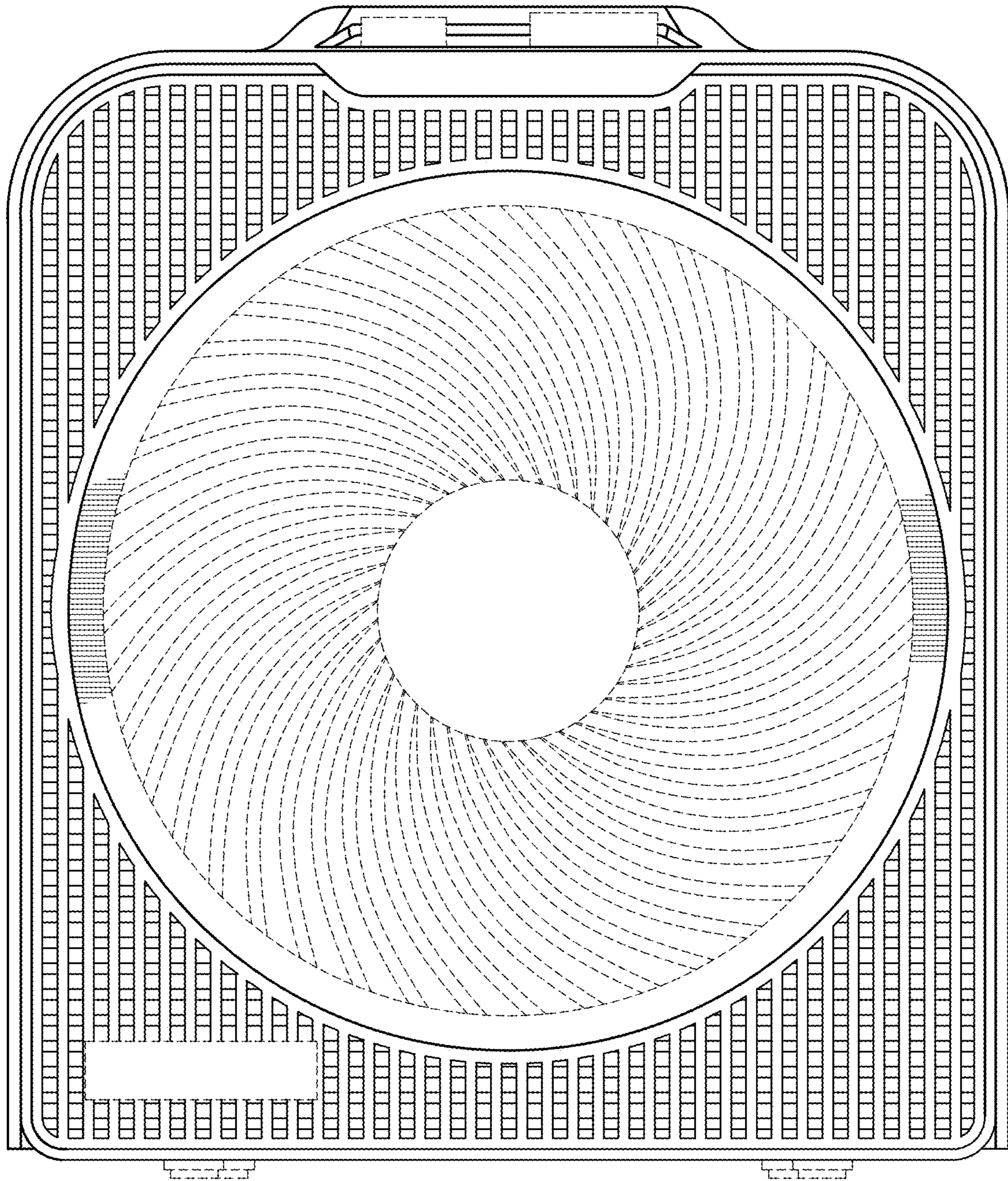


FIG. 2



*FIG. 3*

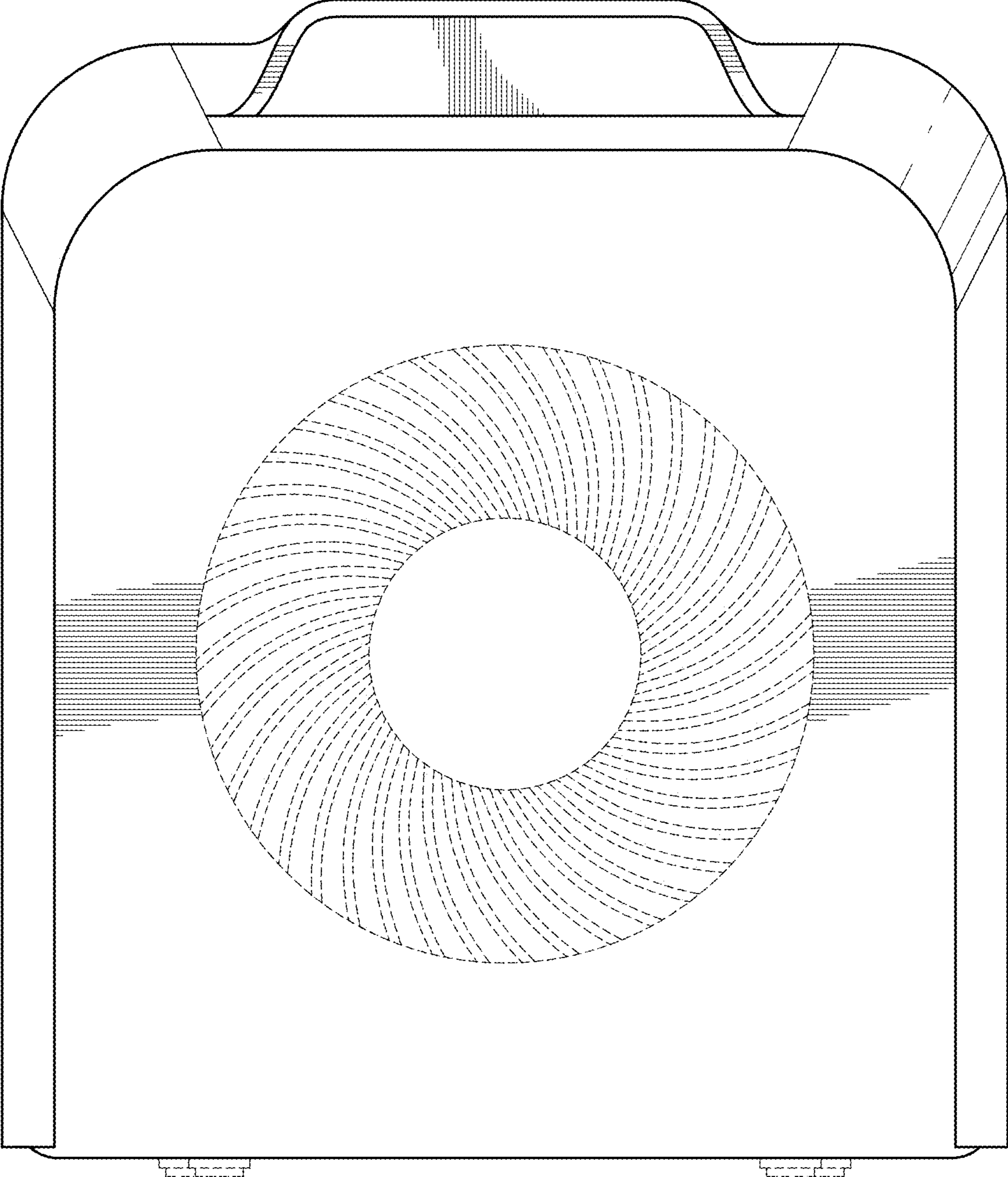
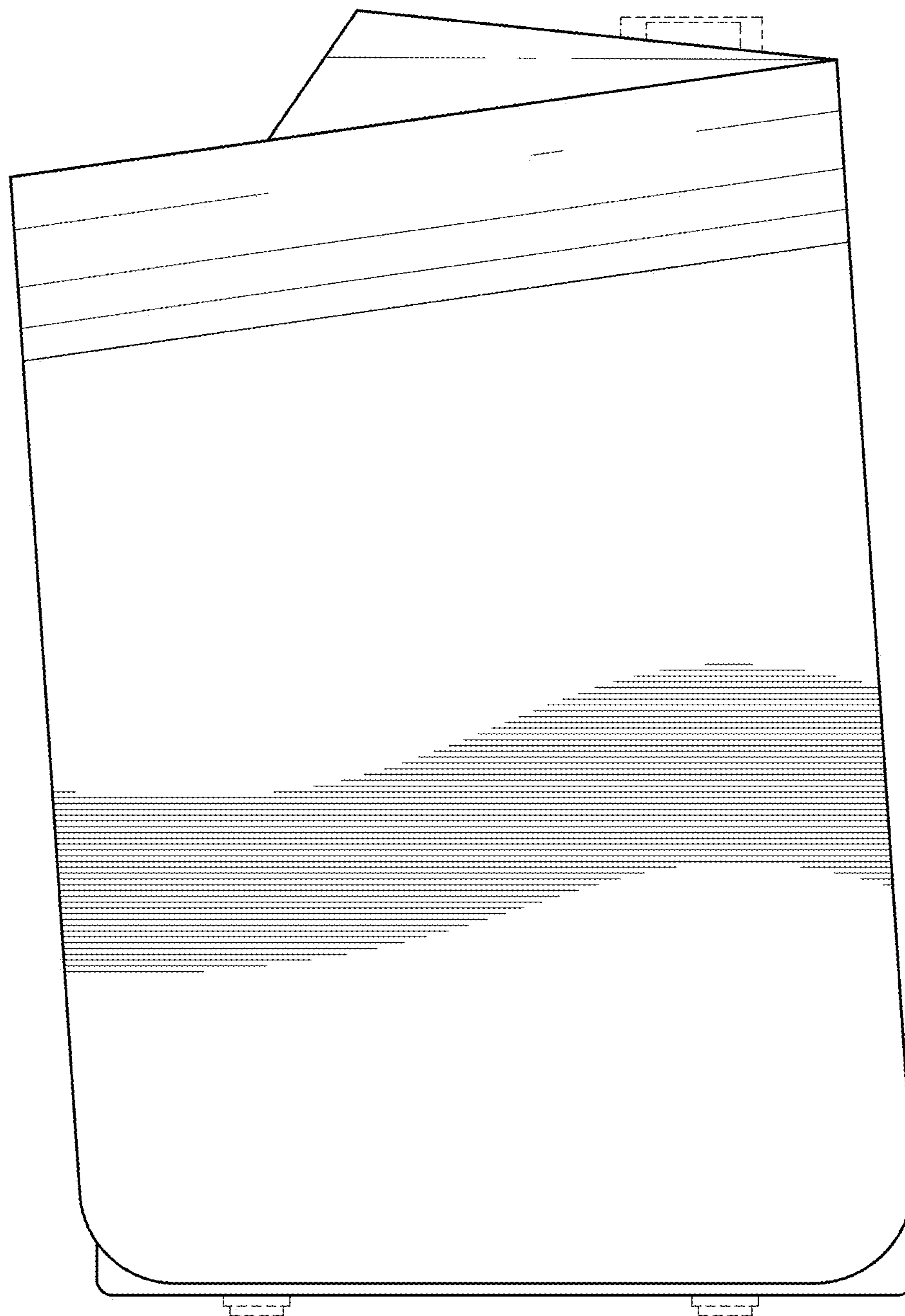
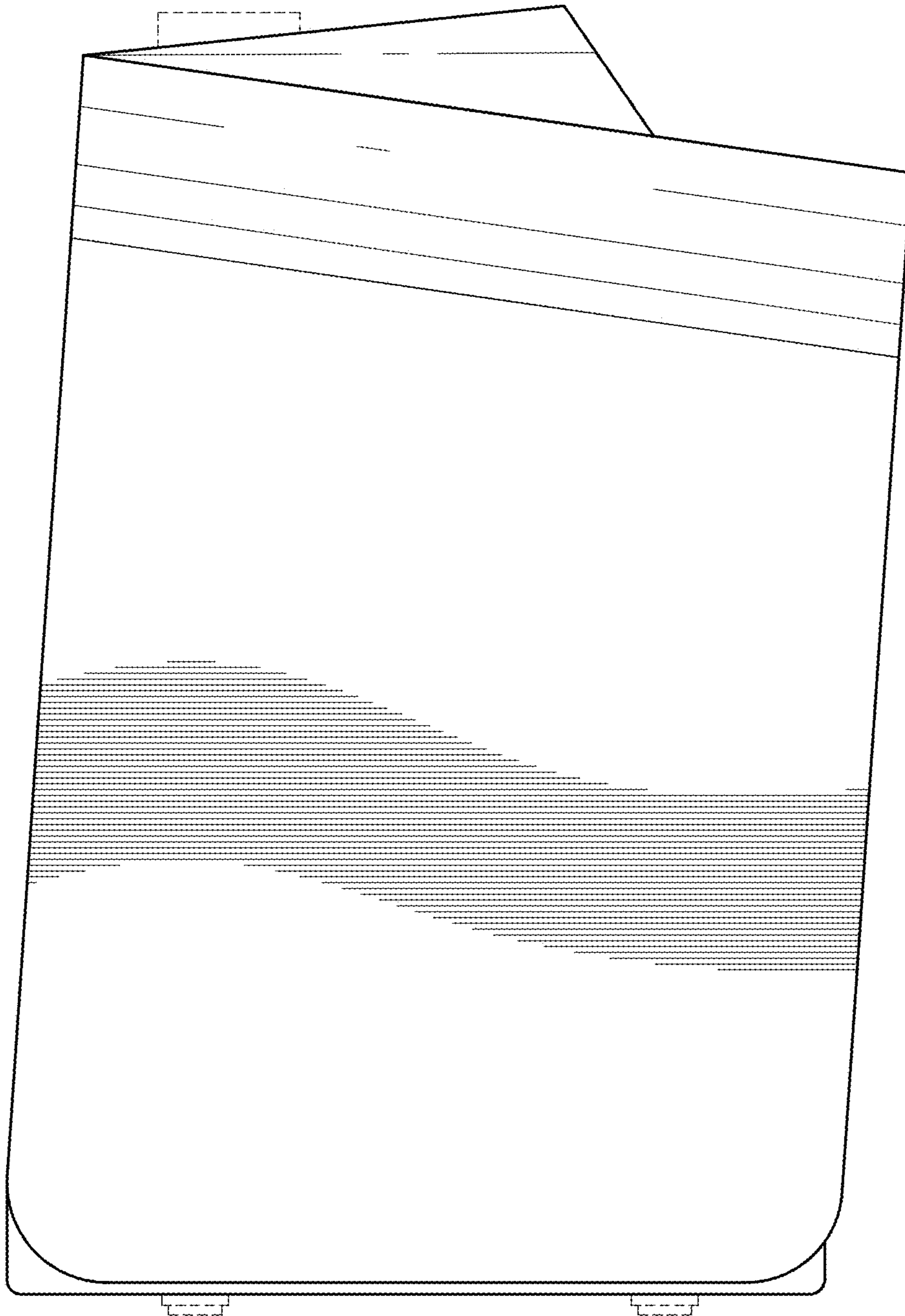


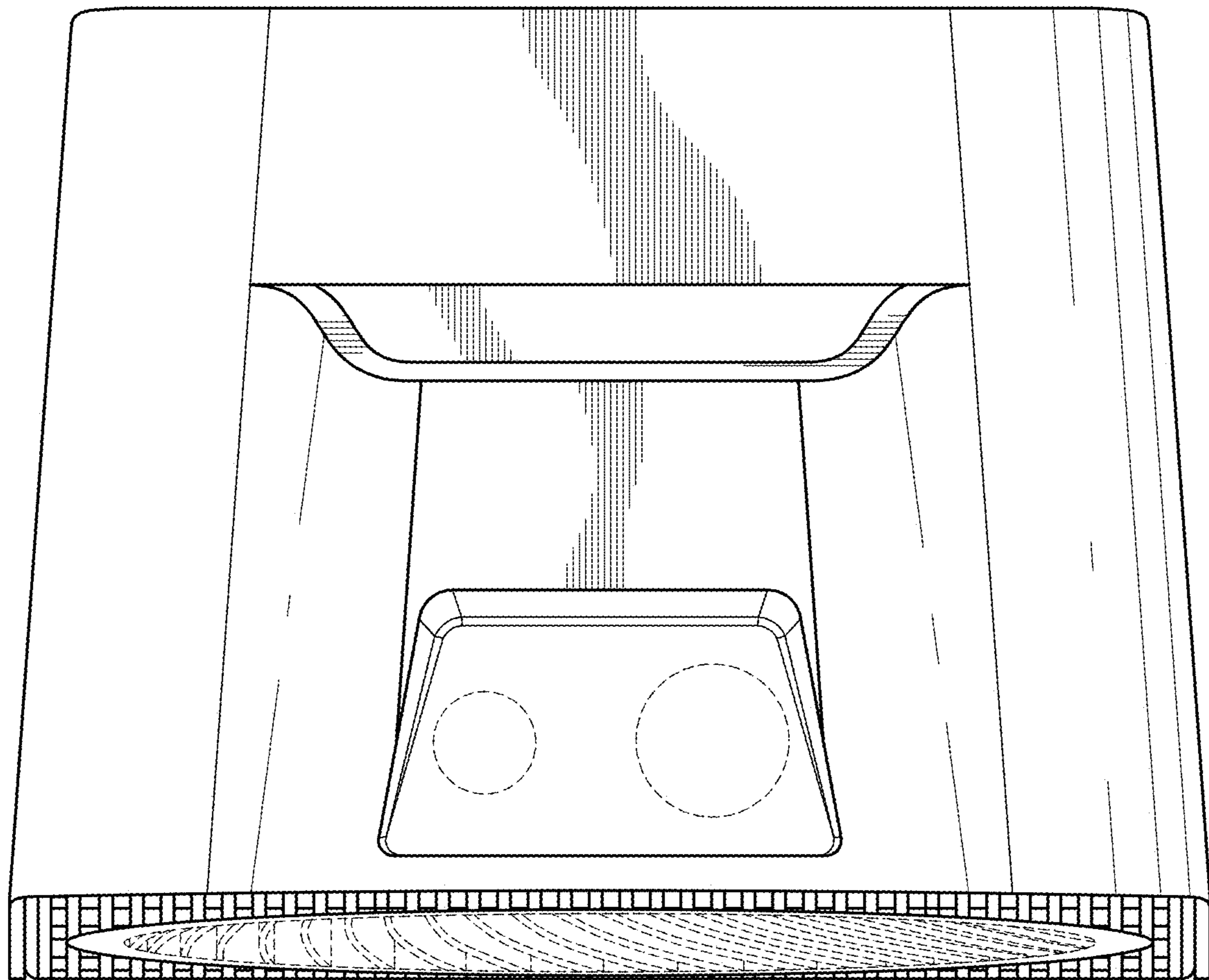
FIG. 4



*FIG. 5*

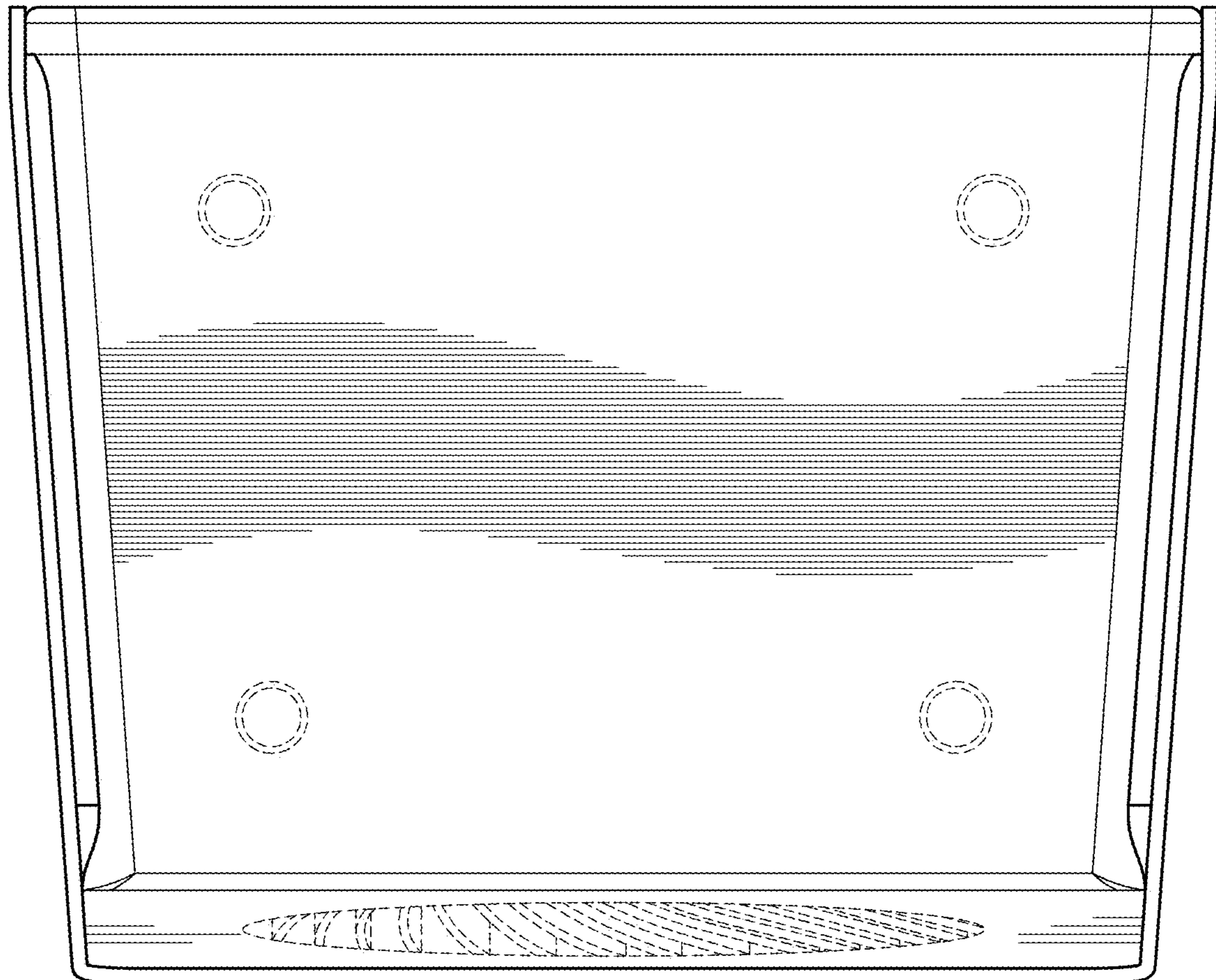


*FIG. 6*



*FIG. 7*





*FIG. 8*