



US00D944369S

(12) **United States Design Patent**
Matsumoto et al.

(10) **Patent No.:** **US D944,369 S**

(45) **Date of Patent:** **** Feb. 22, 2022**

(54) **TOILET SEAT UNIT WITH PRIVATE PARTS-CLEANING DEVICE**

(71) Applicant: **LIXIL Corporation**, Tokyo (JP)

(72) Inventors: **Daisuke Matsumoto**, Tokyo (JP);
Hideaki Tsuzuki, Tokyo (JP); **Takumi Masuda**, Aichi (JP)

(73) Assignee: **LIXIL Corporation**, Tokyo (JP)

(**) Term: **15 Years**

(21) Appl. No.: **29/753,924**

(22) Filed: **Oct. 5, 2020**

(30) **Foreign Application Priority Data**

Apr. 8, 2020 (JP) 2020-007378

(51) **LOC (13) Cl.** **23-02**

(52) **U.S. Cl.**
USPC **D23/311**

(58) **Field of Classification Search**
USPC D23/295, 300-301, 311-312
See application file for complete search history.

(56) **References Cited**

U.S. PATENT DOCUMENTS

D620,568 S * 7/2010 Giovannoni D23/311
D691,249 S * 10/2013 Obara D23/311

D704,317 S * 5/2014 Shinozaki D23/311
D747,449 S * 1/2016 Inomoto D23/311
D810,898 S * 2/2018 Tsuduki D23/295
D826,387 S * 8/2018 Masuda D23/311
D844,761 S * 4/2019 Nakabayashi D23/311
D894,355 S * 8/2020 Wang D23/311
D897,508 S * 9/2020 Wang D23/311

* cited by examiner

Primary Examiner — Robert A Delehanty

(74) *Attorney, Agent, or Firm* — Sughrue Mion, PLLC

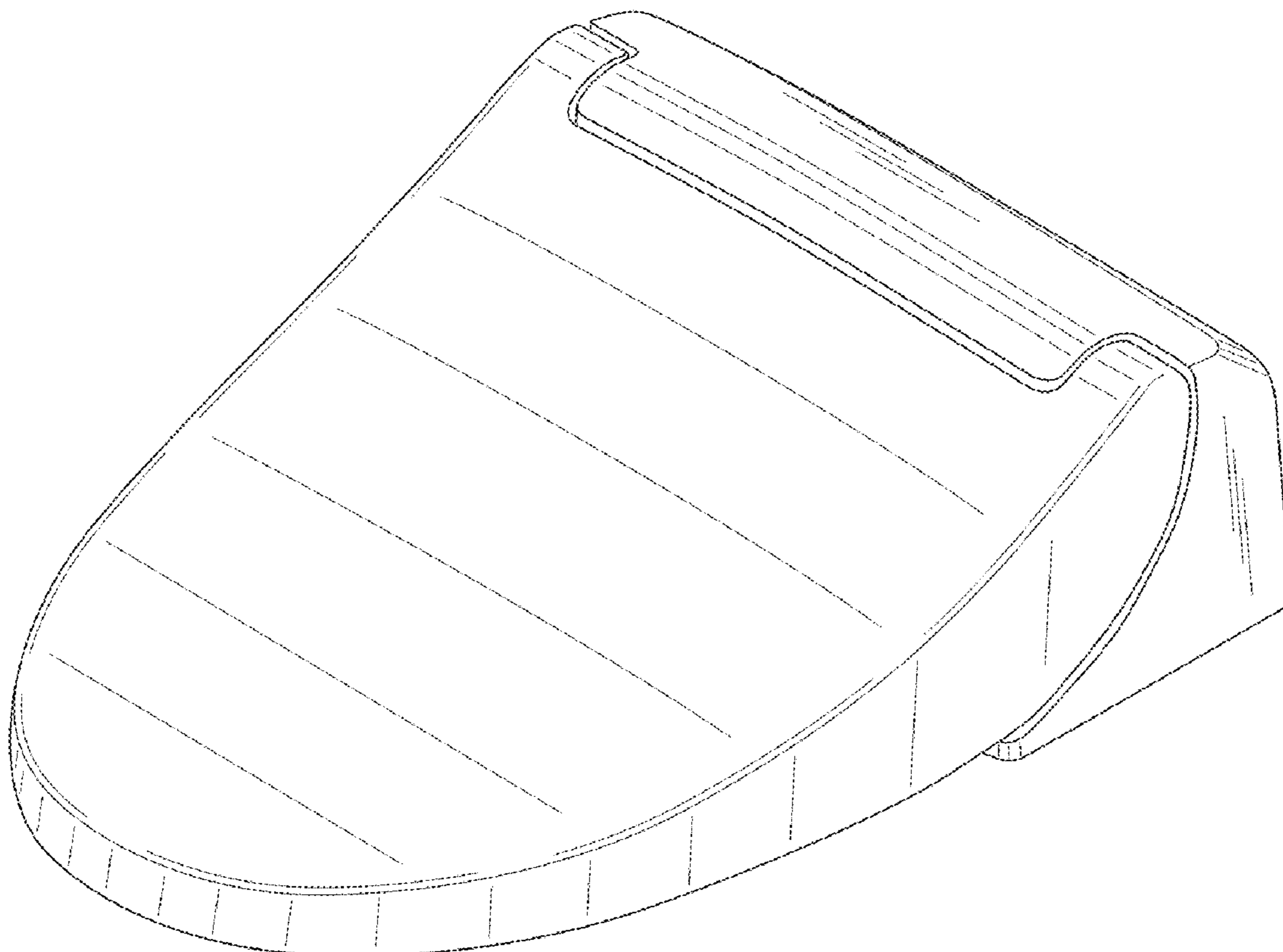
(57) **CLAIM**

The ornamental design for a toilet seat unit with private parts- cleaning device, as shown and described.

DESCRIPTION

FIG. 1 is Perspective View of the toilet seat unit;
FIG. 2 is Top Plan View of the toilet seat unit;
FIG. 3 is Bottom View of the toilet seat unit;
FIG. 4 is Front View of the toilet seat unit;
FIG. 5 is Rear View of the toilet seat unit;
FIG. 6 is Right Side View of the toilet seat unit; and,
FIG. 7 is Left Side View of the toilet seat unit;

1 Claim, 7 Drawing Sheets



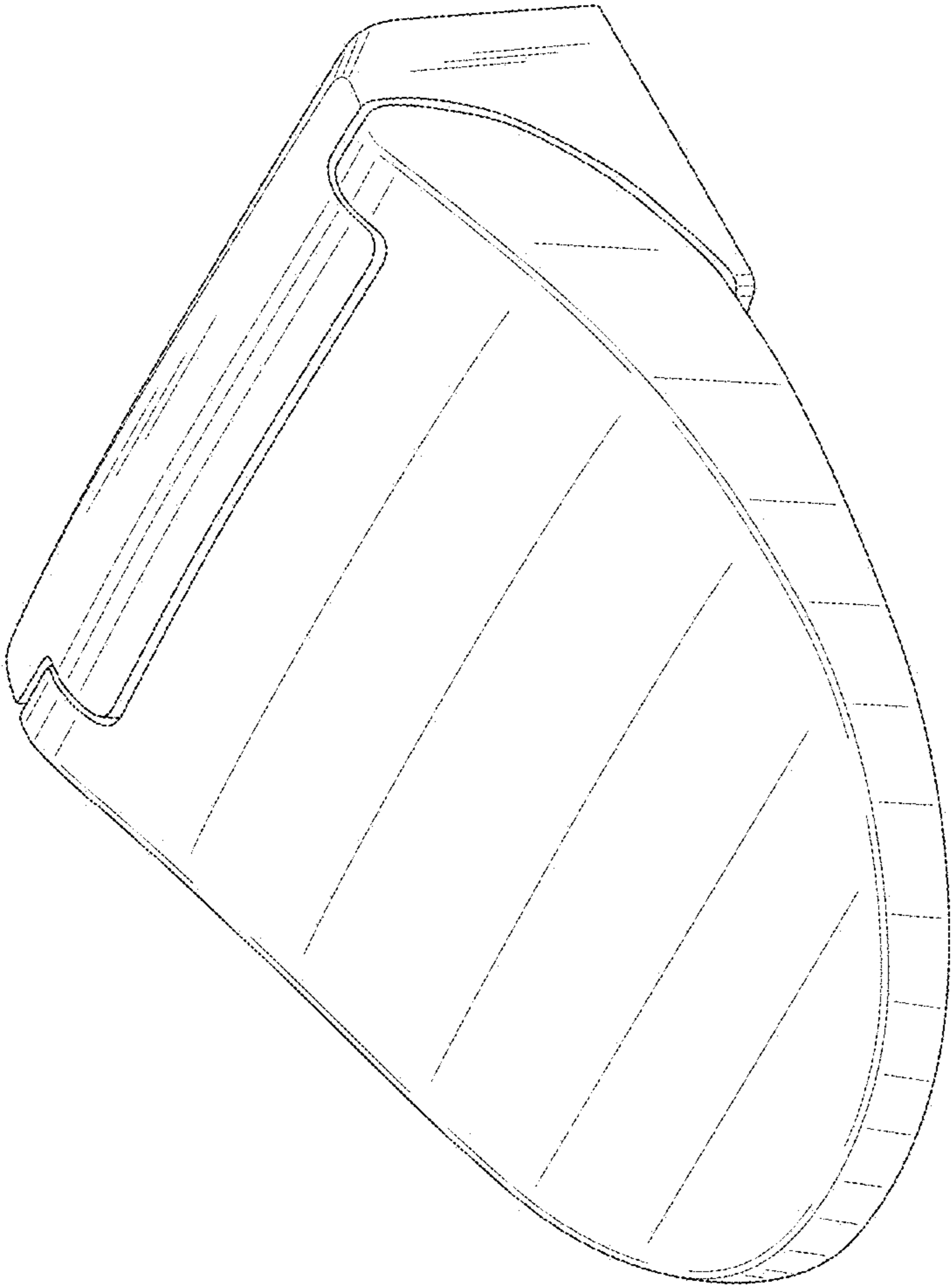


FIG.1

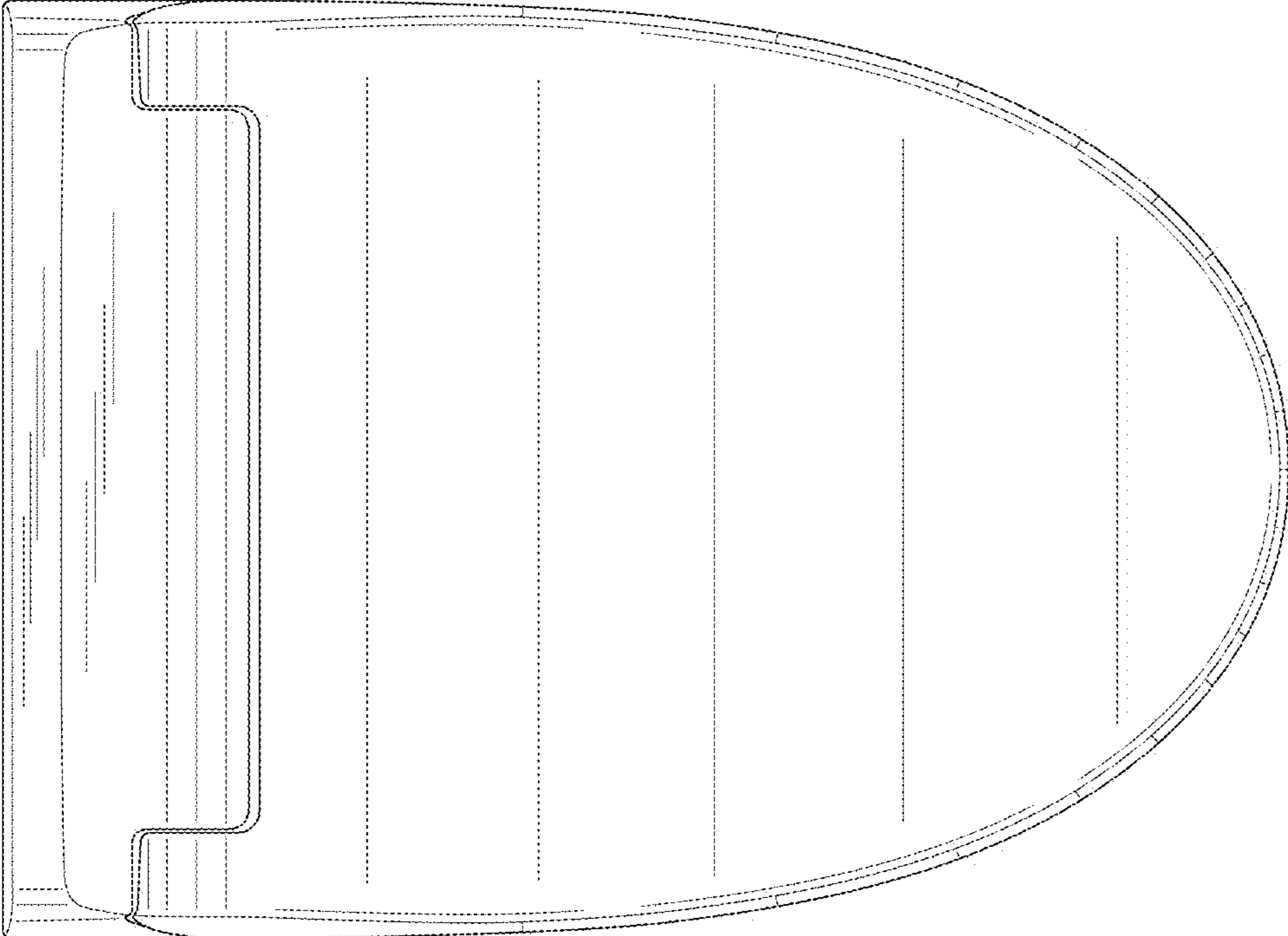


FIG.2

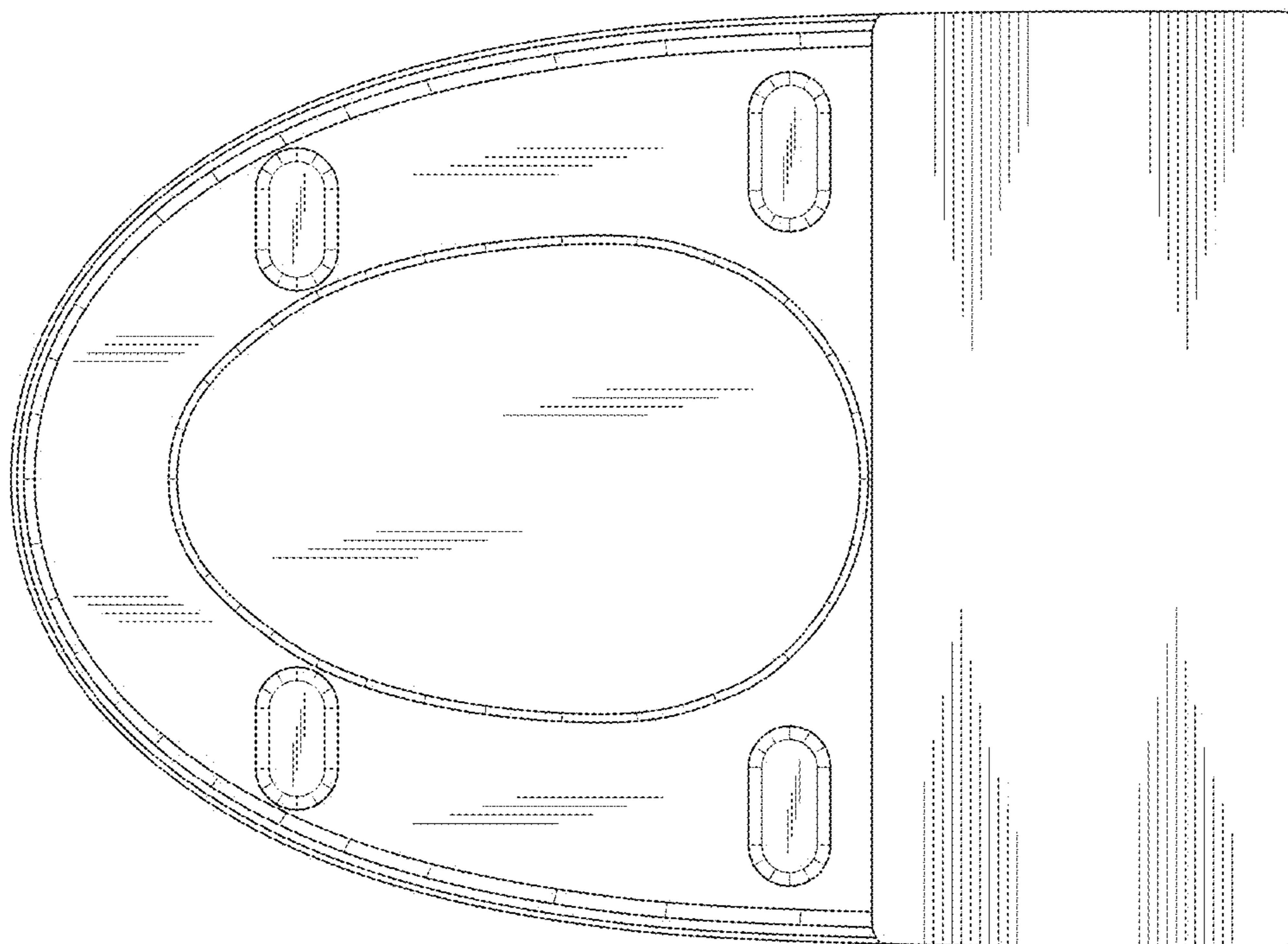


FIG.3

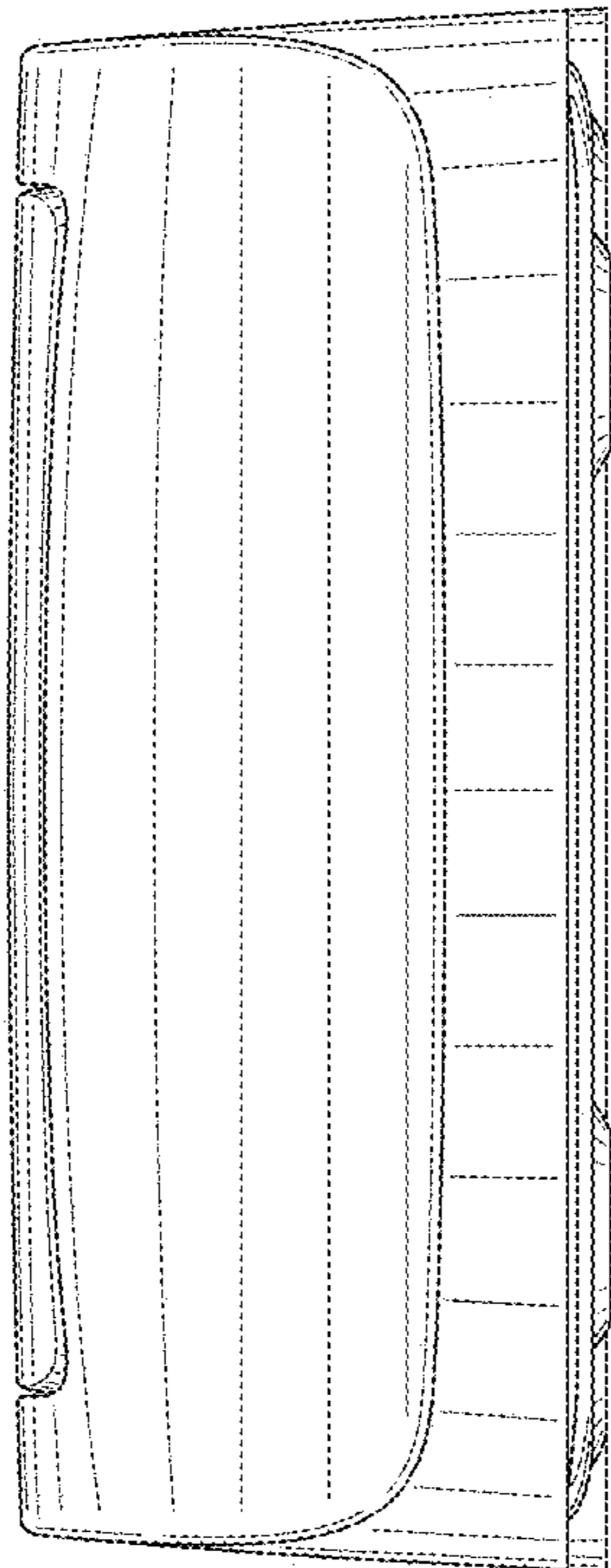


FIG.4

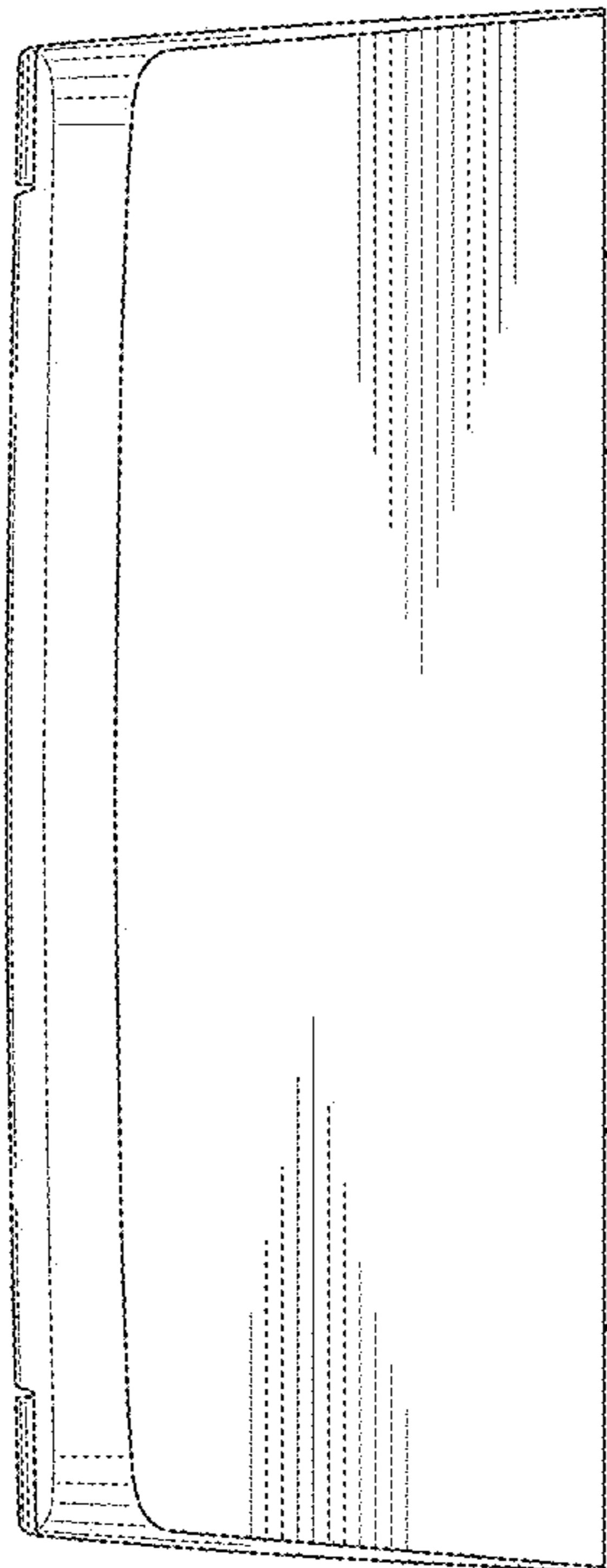


FIG. 5

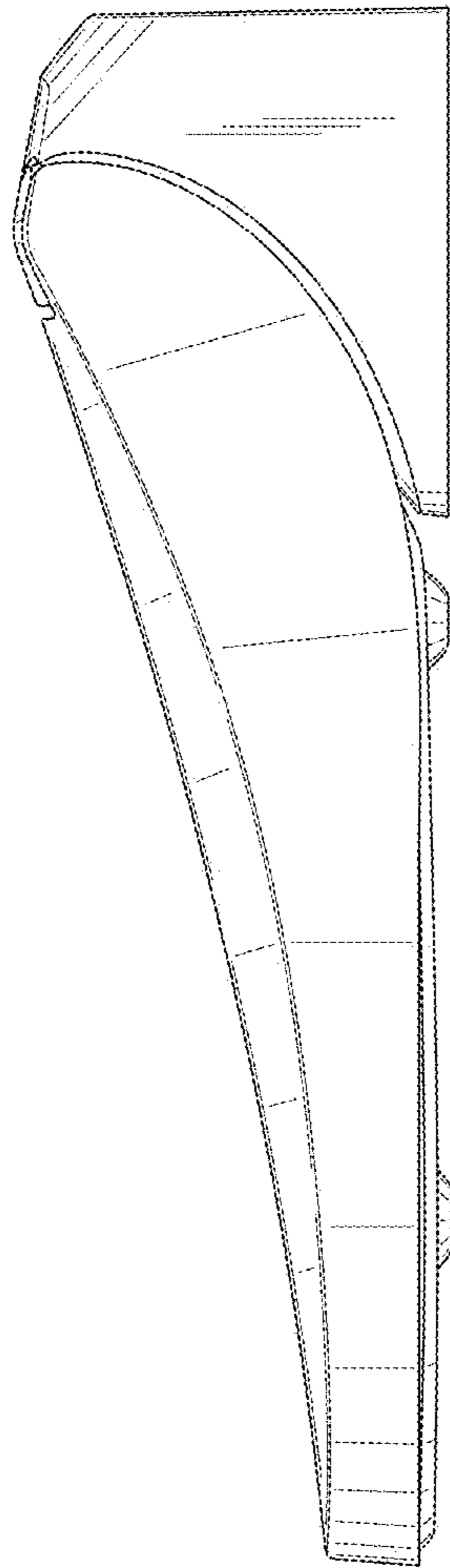


FIG.6

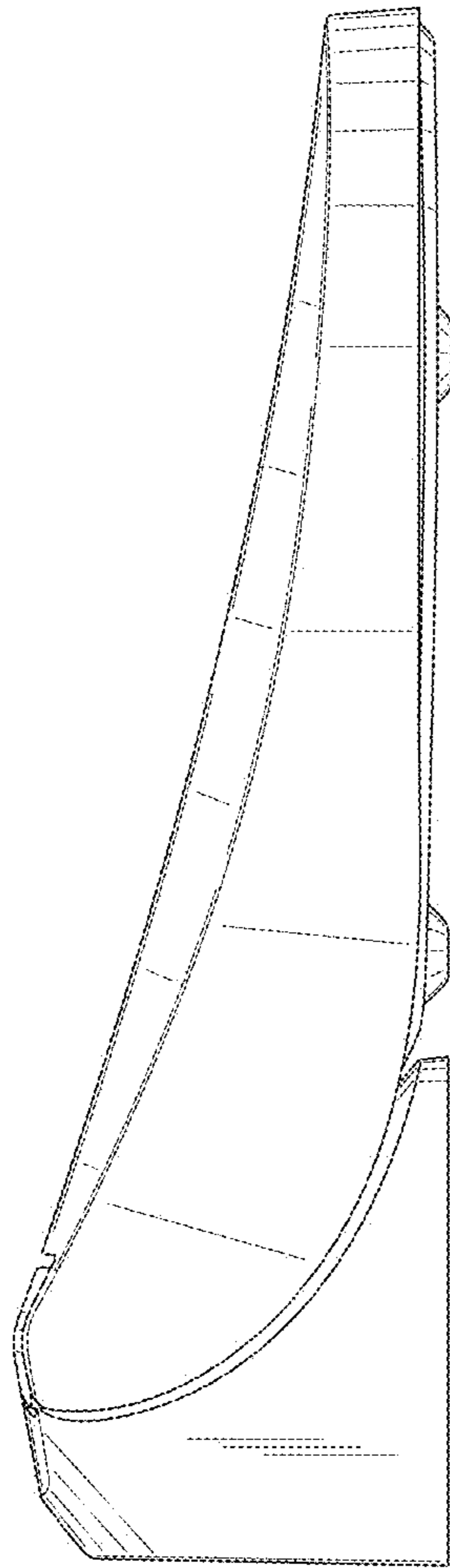


FIG.7