



US00D944368S

(12) **United States Design Patent**
Knecht

(10) **Patent No.:** **US D944,368 S**

(45) **Date of Patent:** **** Feb. 22, 2022**

(54) **TOILET SEAT FOR ANIMAL**

(71) Applicant: **Stephen Jeffrey Knecht**, Lincroft, NJ
(US)

(72) Inventor: **Stephen Jeffrey Knecht**, Lincroft, NJ
(US)

(**) Term: **15 Years**

(21) Appl. No.: **29/723,394**

(22) Filed: **Feb. 6, 2020**

(51) **LOC (13) Cl.** **23-02**

(52) **U.S. Cl.**
USPC **D23/311; D30/161**

(58) **Field of Classification Search**
USPC D23/295–296, 301, 311–312; D30/161
See application file for complete search history.

(56) **References Cited**

U.S. PATENT DOCUMENTS

6,014,946	A *	1/2000	Rymer	A01K 1/0121 119/162
6,418,880	B1	7/2002	Chiu		
D492,984	S *	7/2004	Kitamura	D23/311
D531,713	S *	11/2006	Courtney	D23/311
7,882,805	B2	2/2011	Yu		
8,051,804	B1	11/2011	Rescate		
8,671,888	B1	3/2014	Lei et al.		
D739,617	S *	9/2015	Slone	D30/161
D880,665	S *	4/2020	Pomplun	D23/311
D886,256	S *	6/2020	Smith	D23/311
D895,779	S *	9/2020	Bentancourt	D23/311
2002/0078899	A1	6/2002	Chiu		
2008/0202439	A1 *	8/2008	Lapidge	A01K 1/0121 119/162

2019/0159424	A1	5/2019	Liu		
2020/0077848	A1 *	3/2020	Pomplun	A47K 13/02
2021/0186278	A1 *	6/2021	Benden	A47K 13/00

OTHER PUBLICATIONS

Kitty Loo—file:///C:/Users/rdelehanty/Documents/e-Red%20Folder/29723394/Amazon.com_%20Kitty's%20Loo%20-%20The%20Best%20Cat%20Toilet%20Training%20Kit%20-%20100%25%20Made%20in%20The%20USA%20_%20Pet%20Supplies.html (Year: 2017).*

* cited by examiner

Primary Examiner — Robert A Delehanty

(74) *Attorney, Agent, or Firm* — Gearhart Law LLC

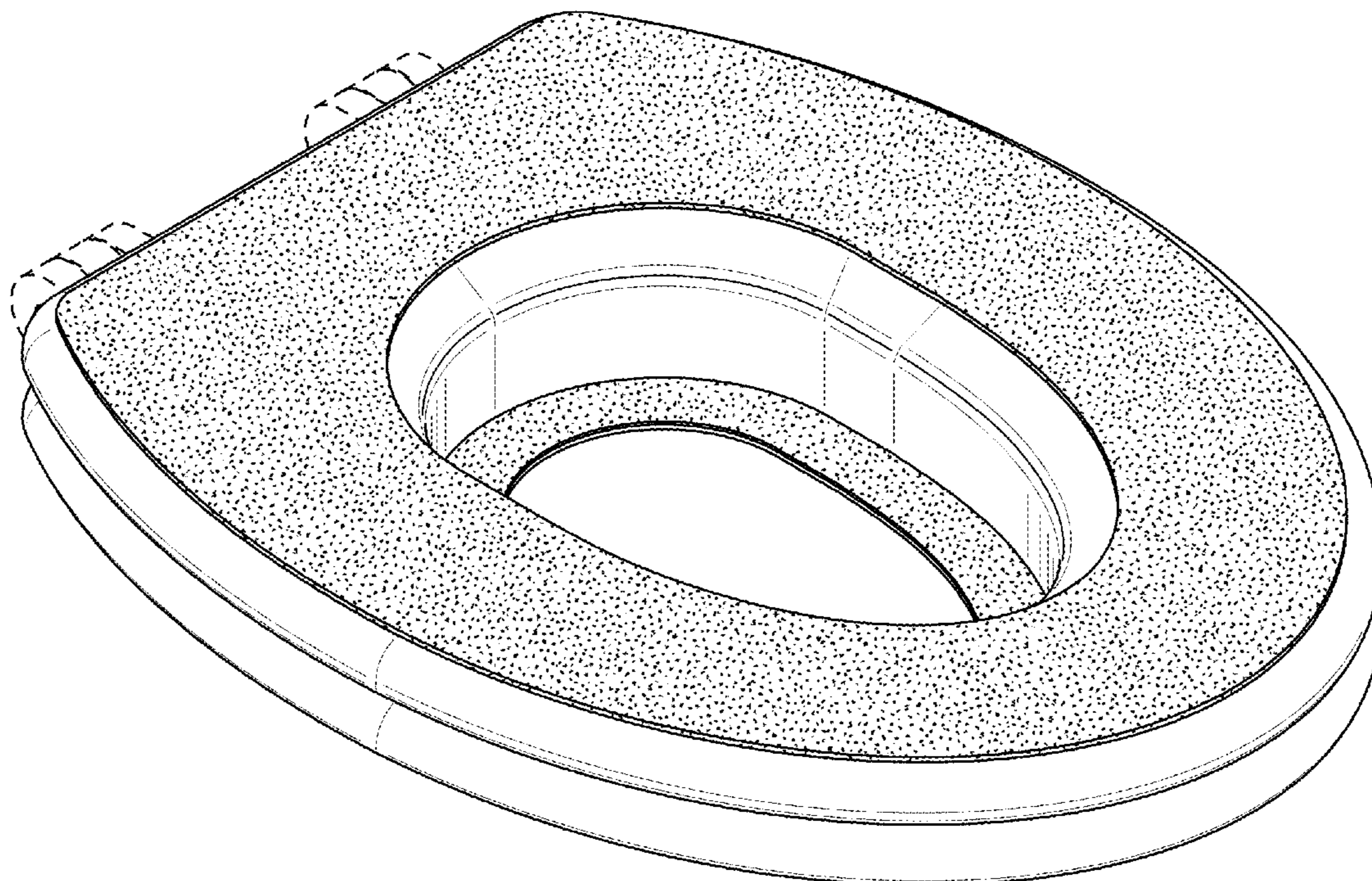
(57) **CLAIM**

The ornamental design for a toilet seat for animal, as shown and described.

DESCRIPTION

FIG. 1 is a top perspective view of the toilet seat for animal. FIG. 2 is a bottom perspective view thereof. FIG. 3 is a top view thereof. FIG. 4 is a bottom view thereof. FIG. 5 is a front view thereof. FIG. 6 is a back view thereof. FIG. 7 is side view thereof. The opposing side view is not shown as it is a mirror image of the side view shown in FIG. 7; and, FIG. 8 is a top perspective view of the toilet seat for animal in an alternate position. The dashed lines shown in the drawings represent the environment and form no part of the claimed design.

1 Claim, 7 Drawing Sheets



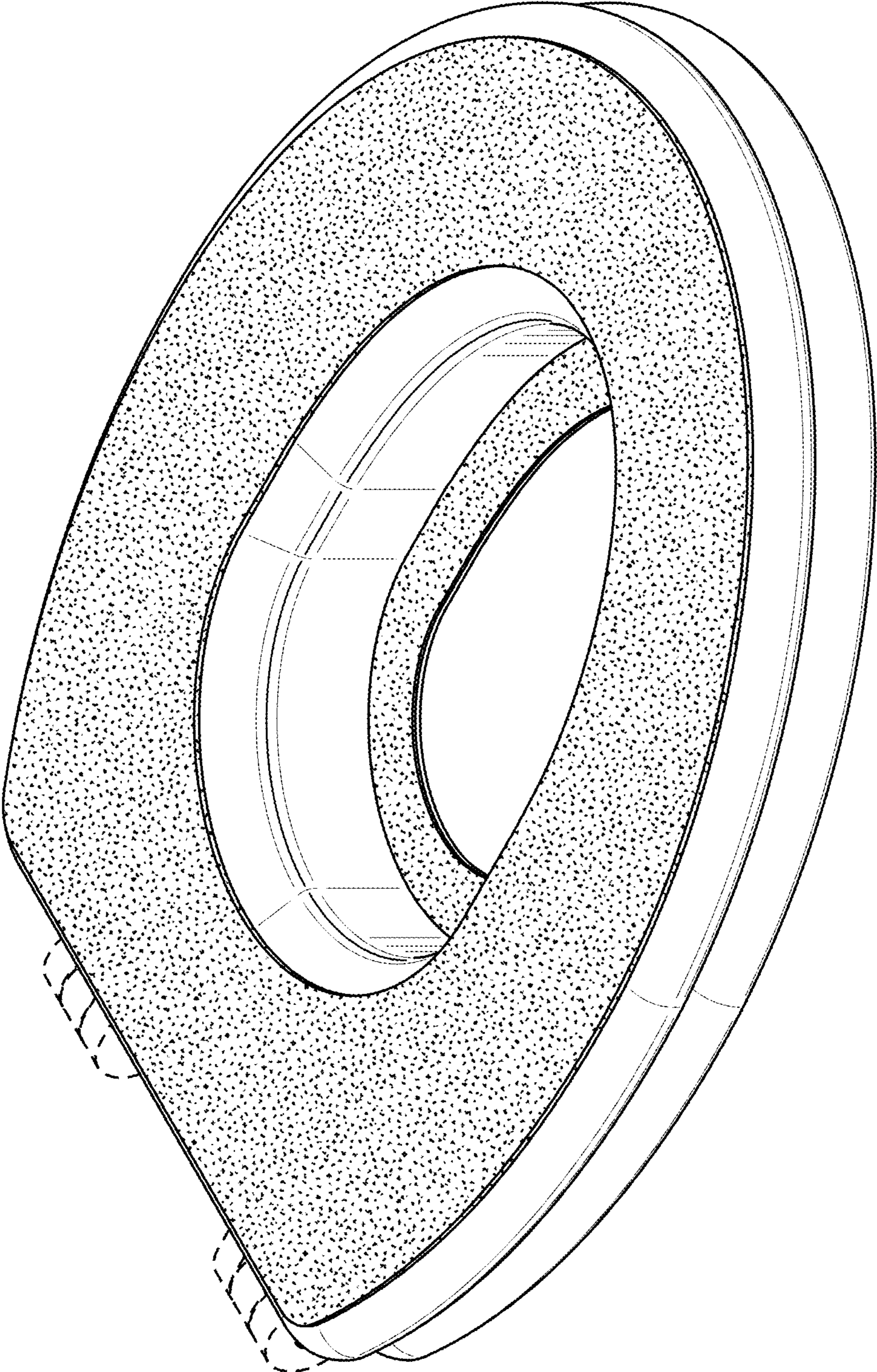


FIG. 1

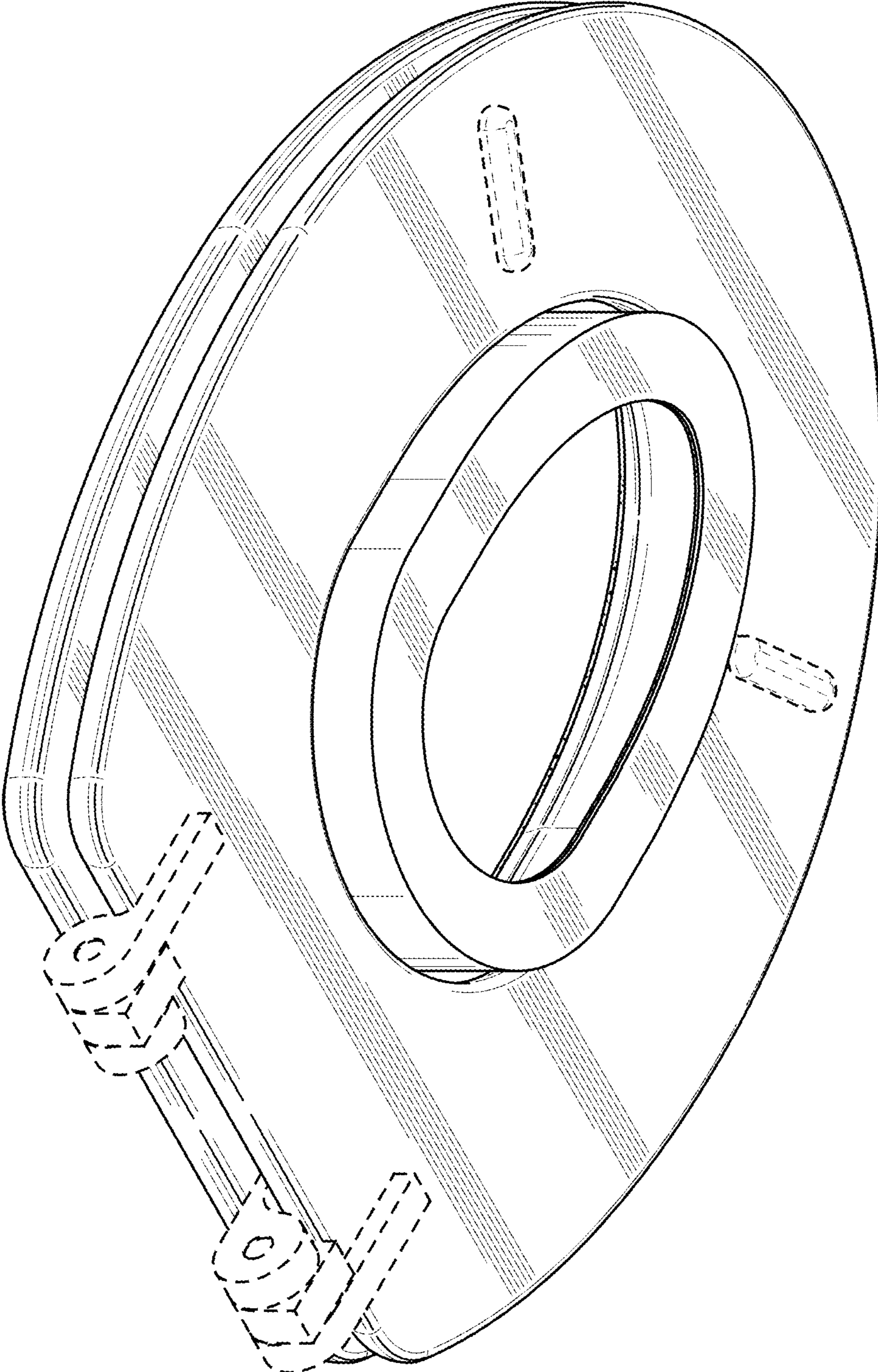


FIG. 2

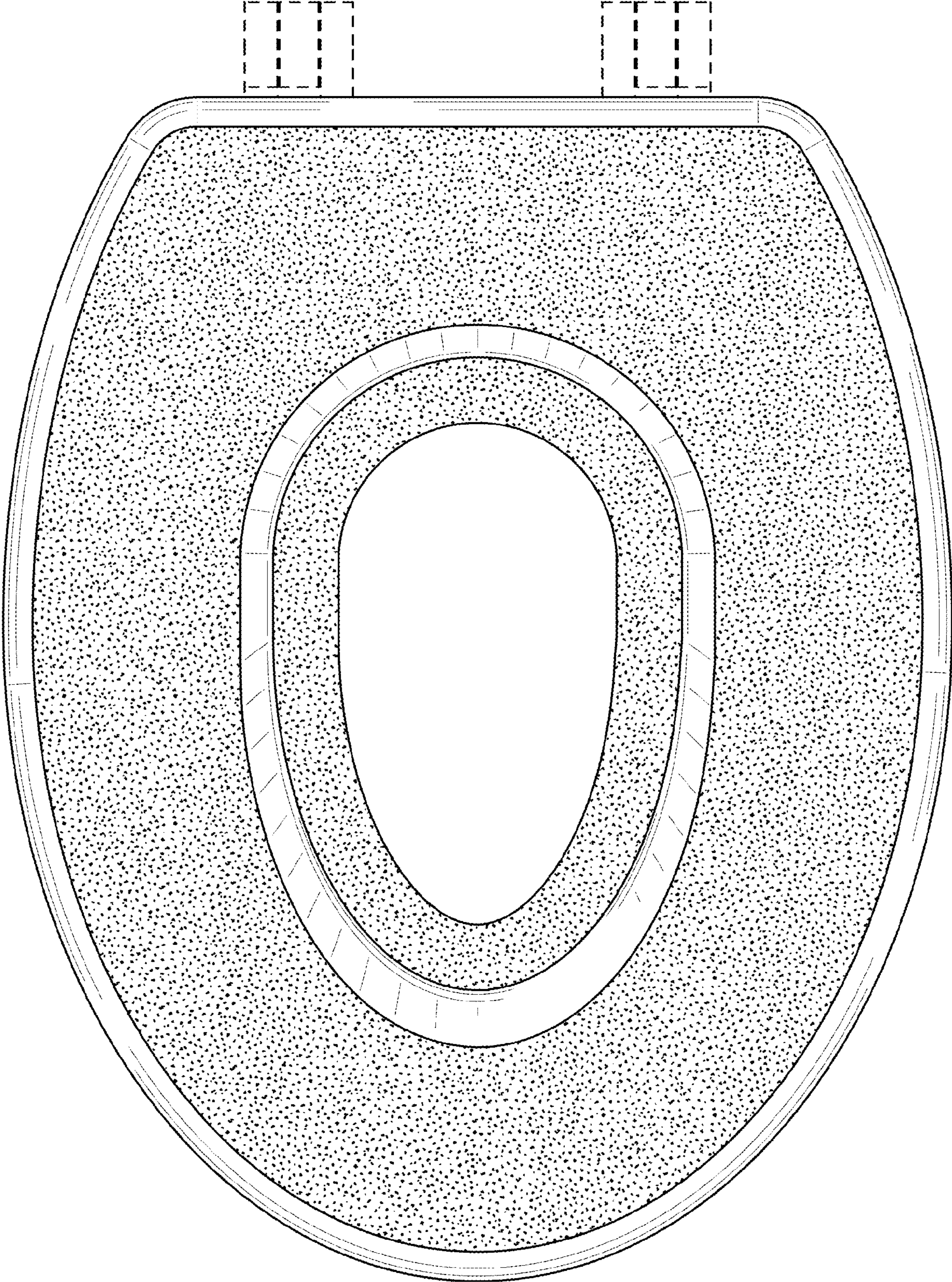


FIG. 3

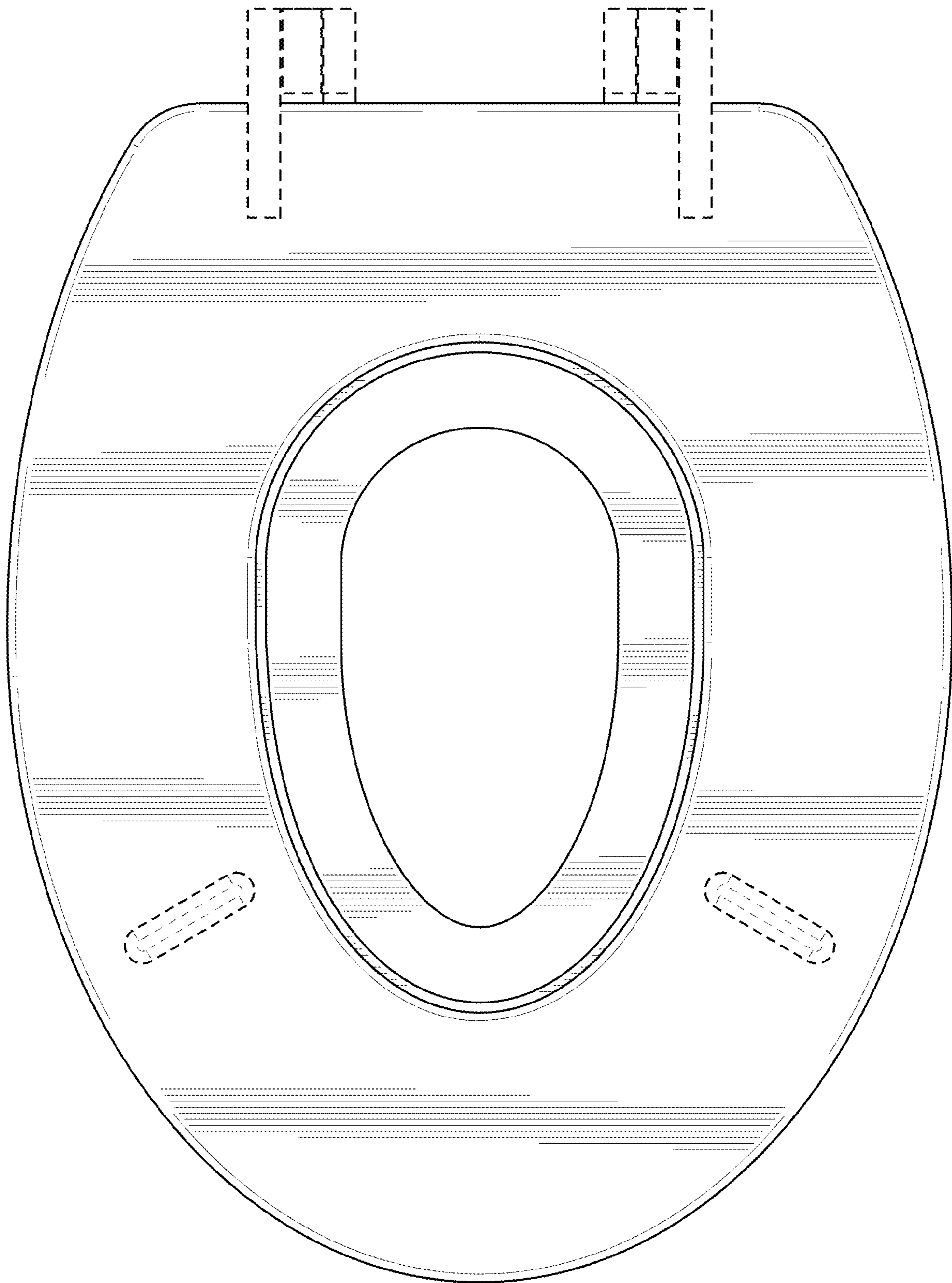


FIG. 4

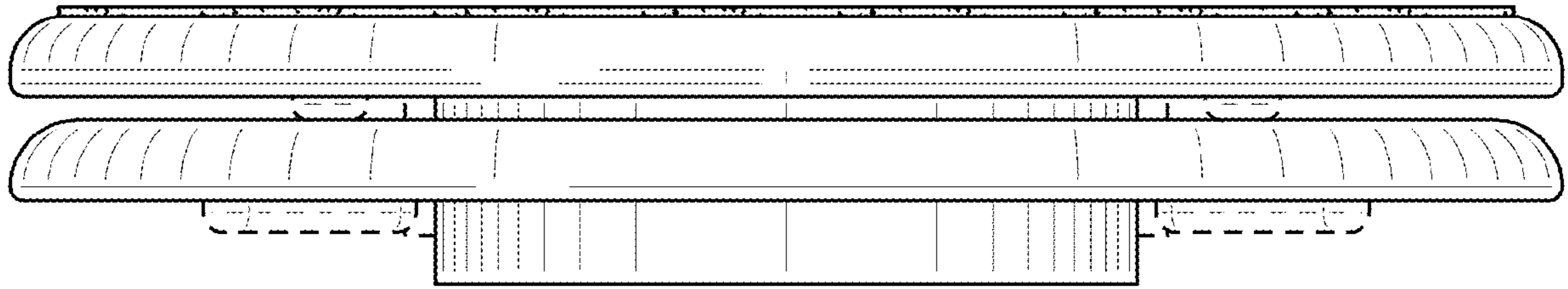


FIG. 5

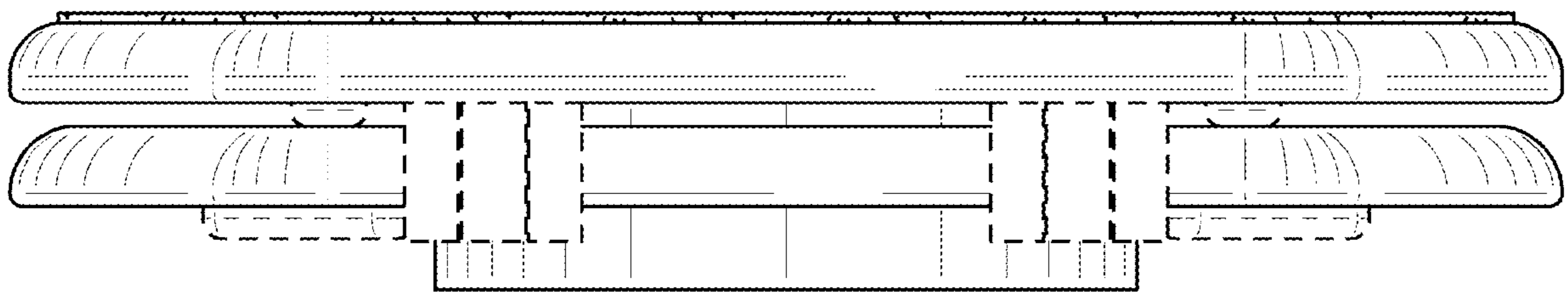


FIG. 6

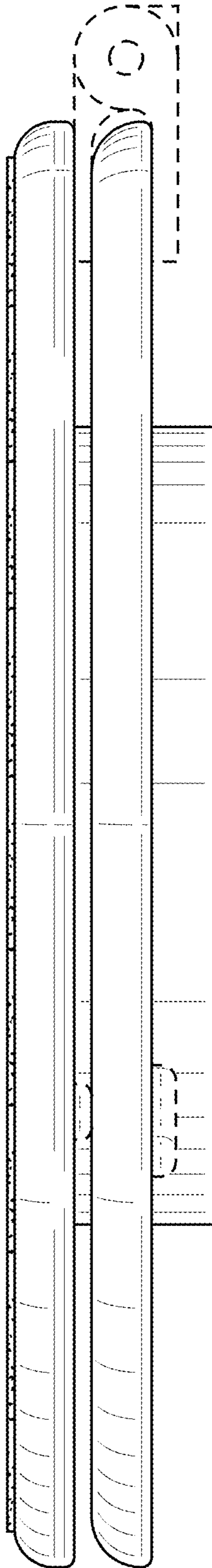


FIG. 7

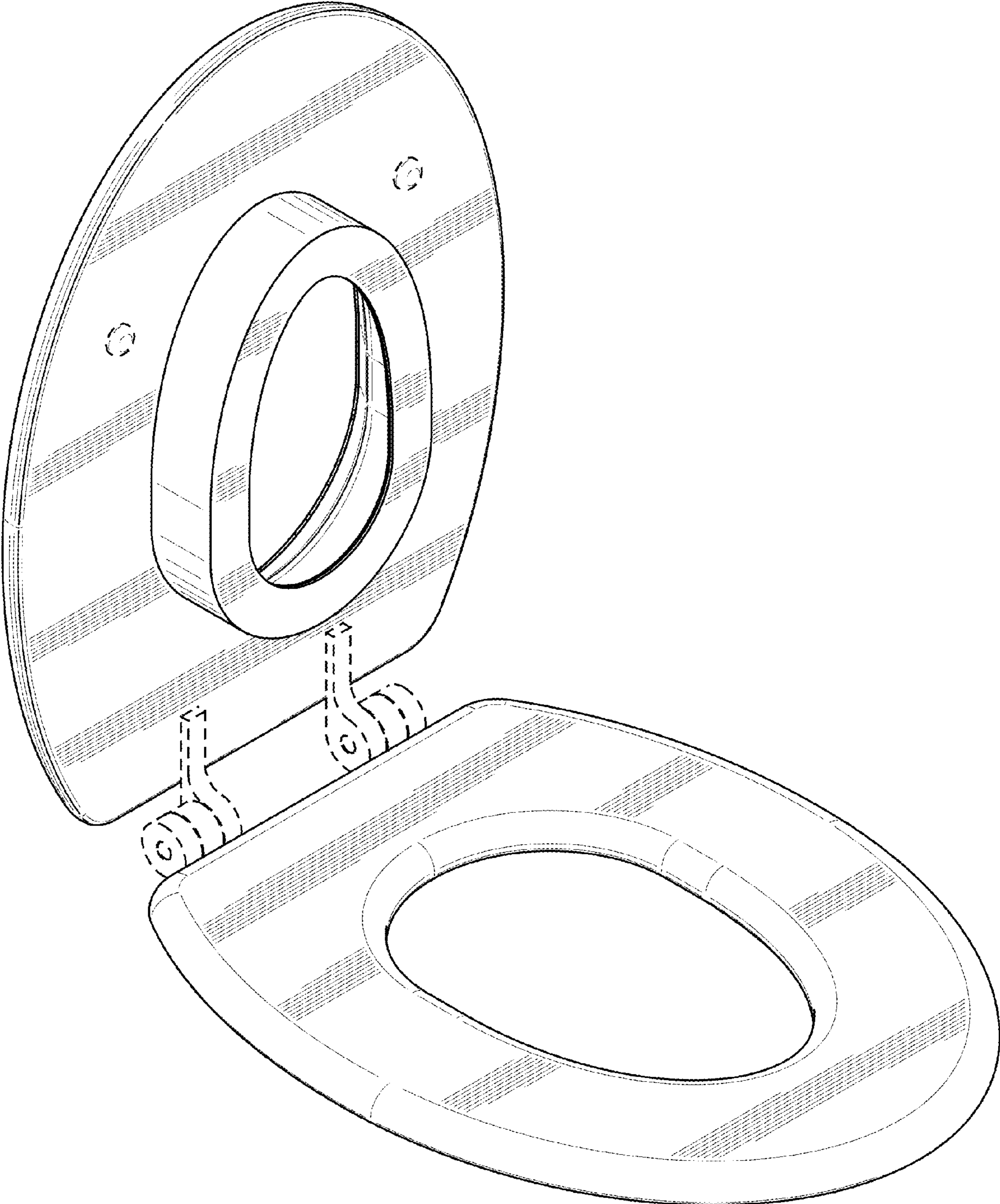


FIG. 8