



US00D944366S

(12) **United States Design Patent** (10) **Patent No.:** **US D944,366 S**
Fontana et al. (45) **Date of Patent:** **** Feb. 22, 2022**

(54) **STATIC BALANCING VALVE**

FOREIGN PATENT DOCUMENTS

(71) Applicant: **Watts Industries Italia S.r.l.**, Trento (IT)

EP 0000818 2/1979

(72) Inventors: **Sergio Fontana**, Rovereto (IT); **Paolo Moruzzi**, Villa Lagarina (IT); **Fabio Gunsch**, Riva del Garda (IT); **Alfredo Marco Cucciniello**, Milan (IT)

OTHER PUBLICATIONS

Orange Research Inc., Differential Pressure Sensor, retrieved online, www.orangeresearch.com/pistonVsDiaphragm.php, 2 pages.
European Search Report for European Patent Application No. 20159131.0, dated Jul. 28, 2020, 7 pages.
Orange Research, <https://www.orangeresearch.com/pistonVsDiaphragm.php>; differential pressure gauges, 1 page.

(73) Assignee: **Watts Industries Italia S.r.l.**, Fraz Gardolo (IT)

(**) Term: **15 Years**

* cited by examiner

(21) Appl. No.: **29/682,943**

Primary Examiner — Gino Colan

(22) Filed: **Mar. 8, 2019**

(74) *Attorney, Agent, or Firm* — Day Pitney LLP; George N. Chaolas

(51) **LOC (13) Cl.** **23-01**

(52) **U.S. Cl.**
USPC **D23/245**

(57) **CLAIM**

(58) **Field of Classification Search**
USPC D23/233, 235, 246; D10/85
CPC B60C 23/04; G01L 9/14; G08B 23/00
See application file for complete search history.

The ornamental design for a static balancing valve, as shown and described.

(56) **References Cited**

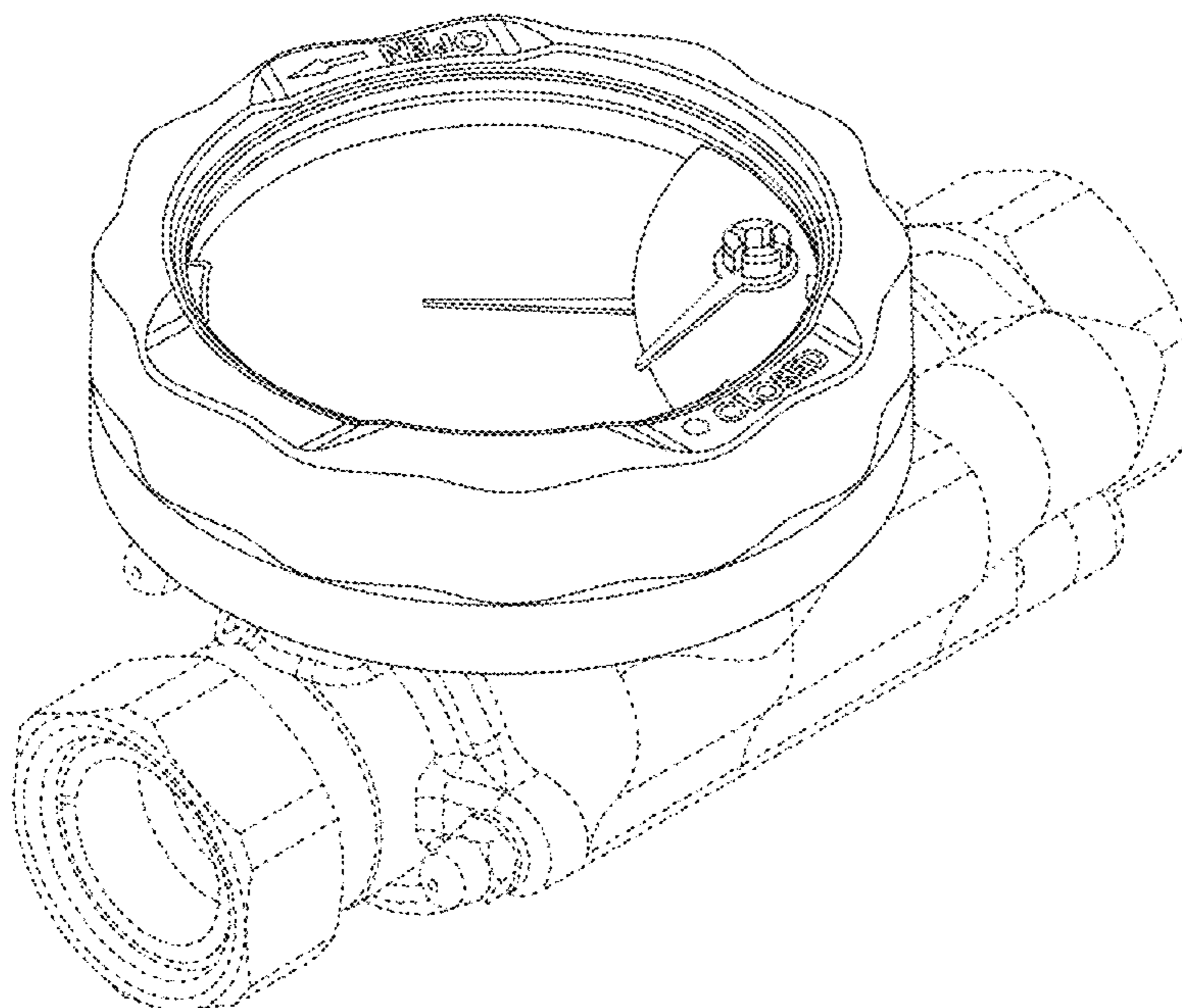
DESCRIPTION

U.S. PATENT DOCUMENTS

3,429,291	A	2/1969	Hoffman	
4,014,284	A	3/1977	Read	
D254,146	S *	2/1980	Koenig	D23/245
4,416,211	A	11/1983	Hoffman	
D273,034	S *	3/1984	Higgins	D23/245
4,523,476	A	6/1985	Larner	
D607,087	S *	12/2009	Bobby	D23/233
D811,252	S *	2/2018	Boyer	D10/85
D811,253	S *	2/2018	Boyer	D10/85
9,995,605	B2	6/2018	Konno et al.	
2008/0289567	A1	11/2008	Gordon	

FIG. 1 is a top perspective view of a static balancing valve showing our new design;
FIG. 2 is a front view thereof;
FIG. 3 is a back view thereof;
FIG. 4 is a top view thereof;
FIG. 5 is a left side view thereof;
FIG. 6 is a right side view thereof; and,
FIG. 7 is a bottom view thereof.
The broken lines in the figures show features of the static balancing valve that form no part of the claimed design.

1 Claim, 7 Drawing Sheets



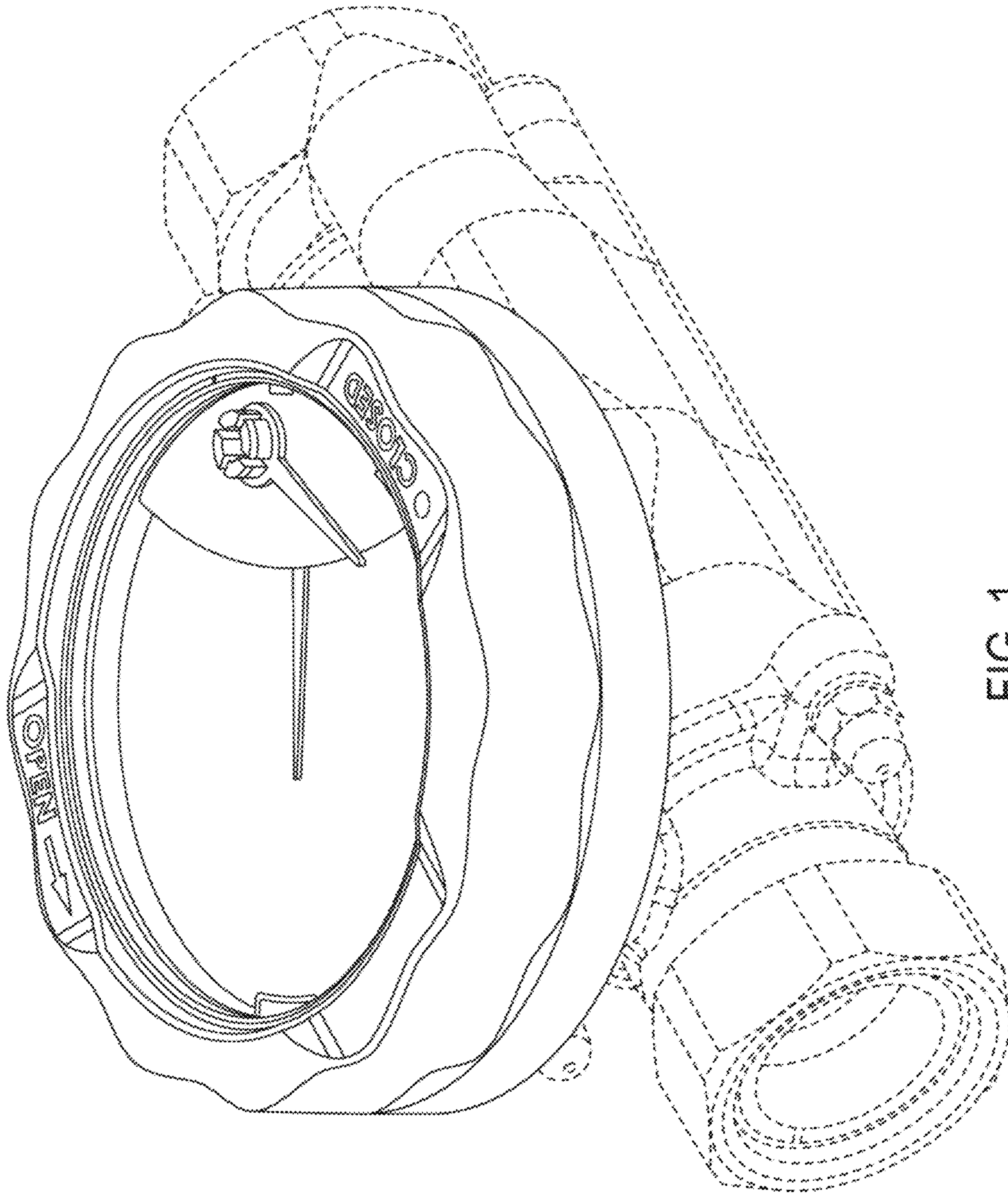


FIG. 1

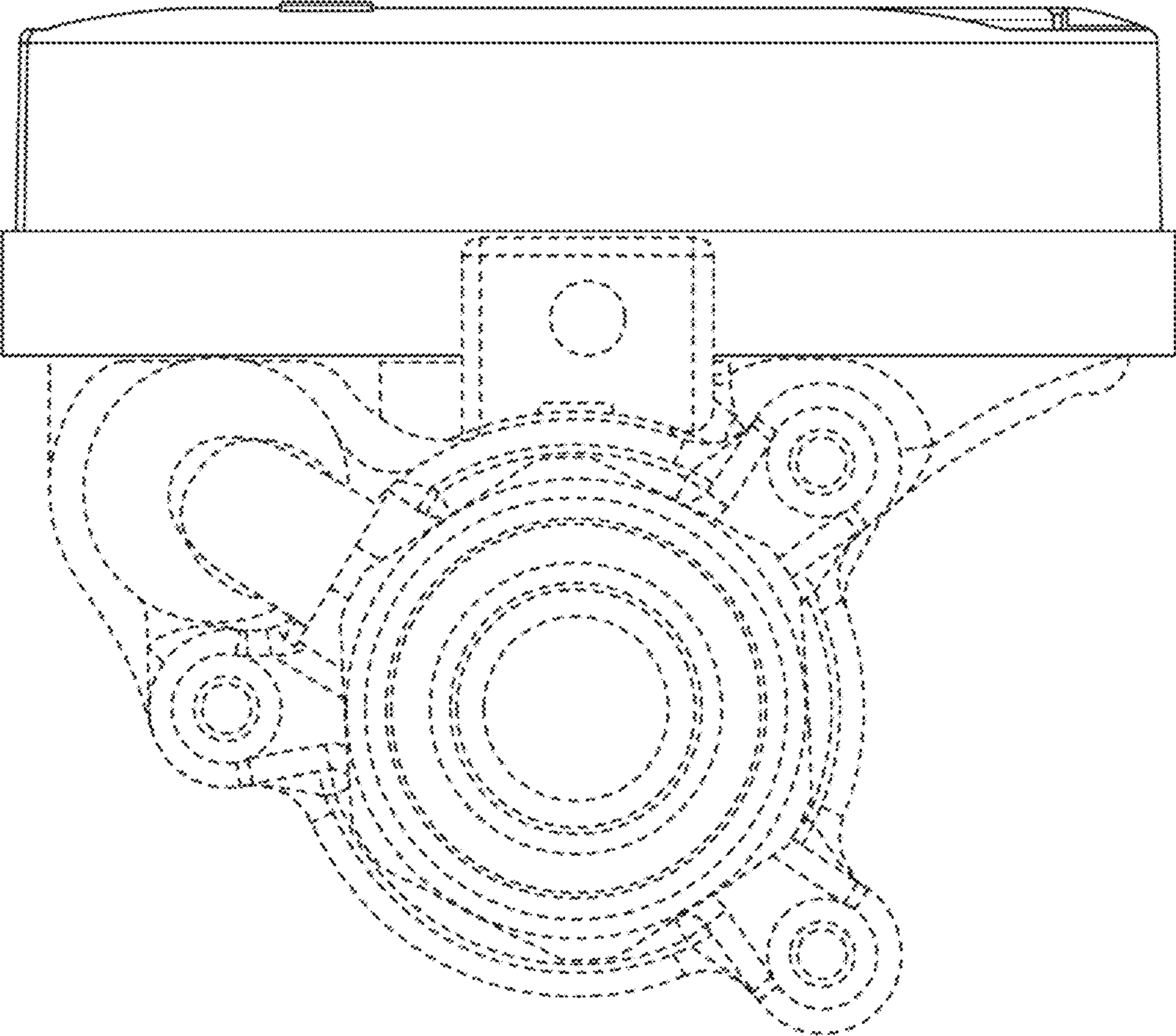


FIG. 2

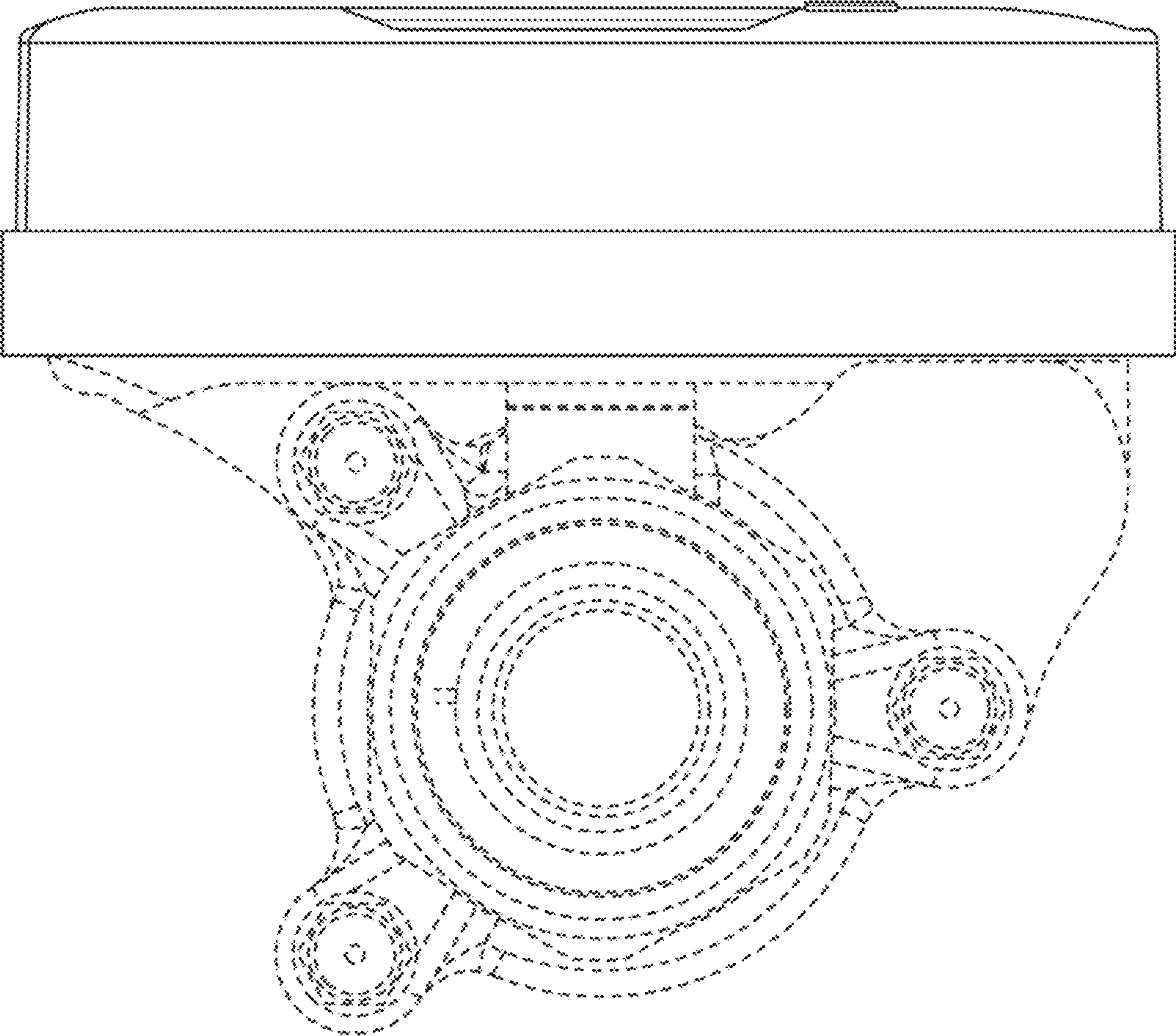


FIG. 3

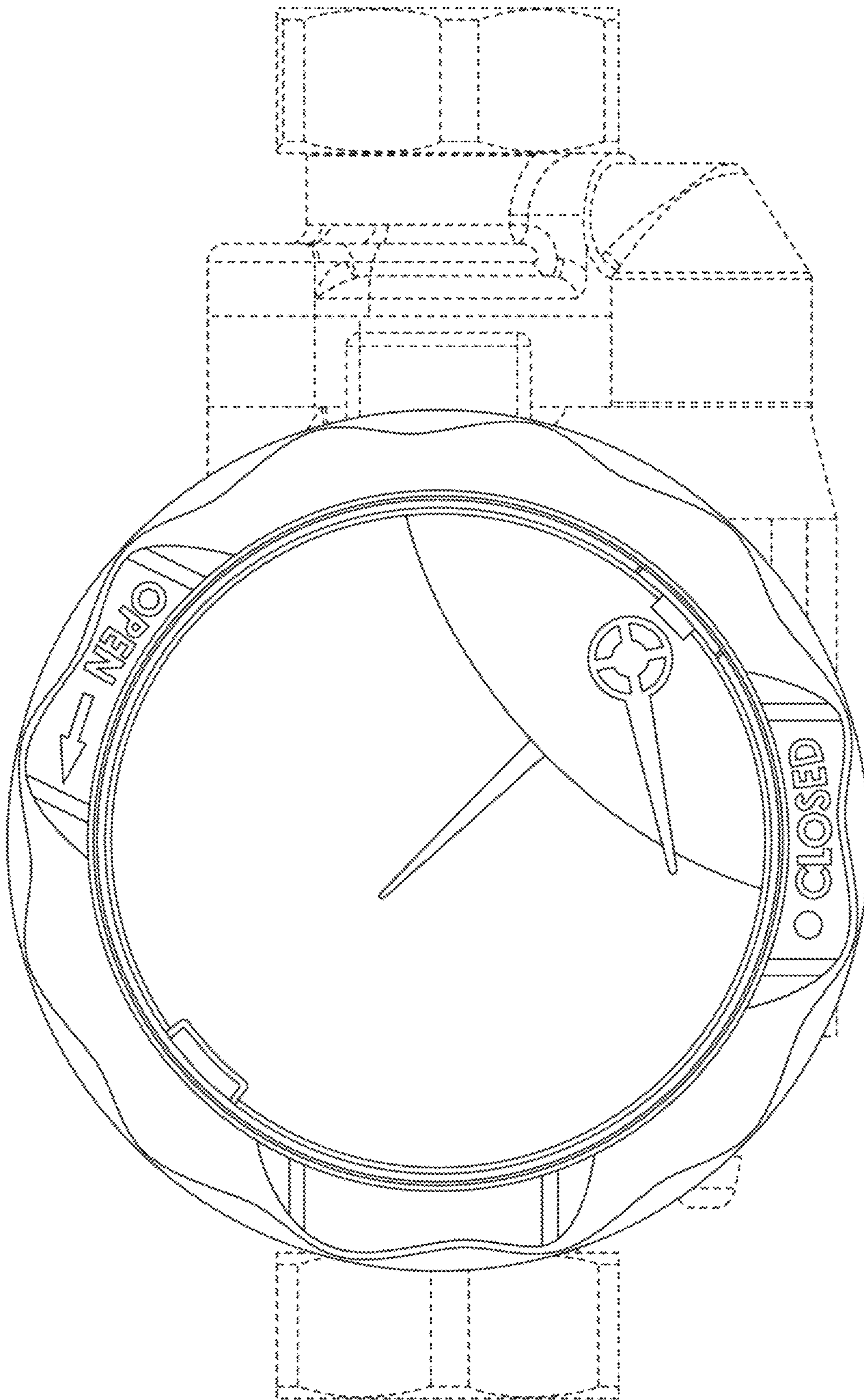


FIG. 4

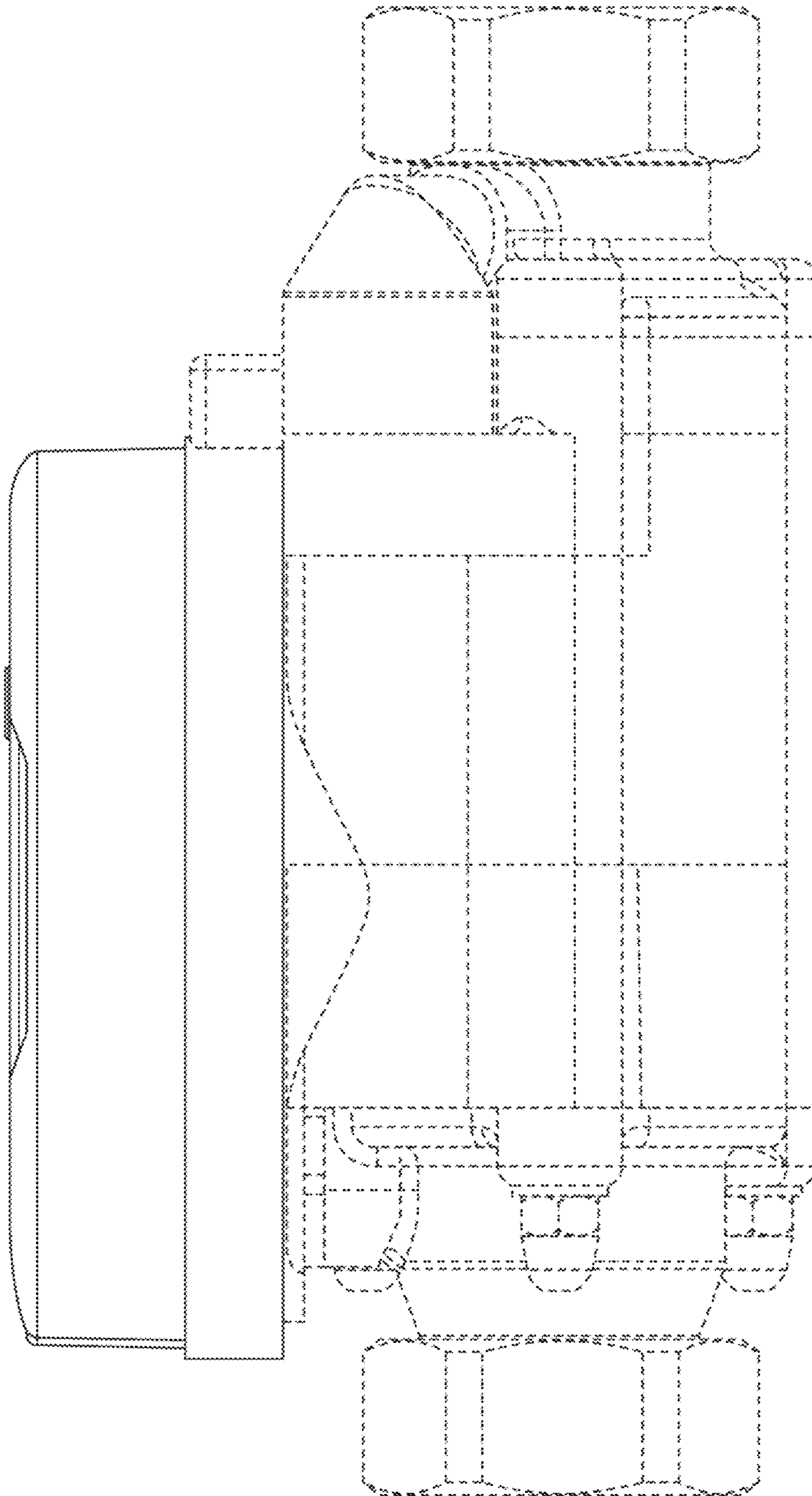


FIG. 5

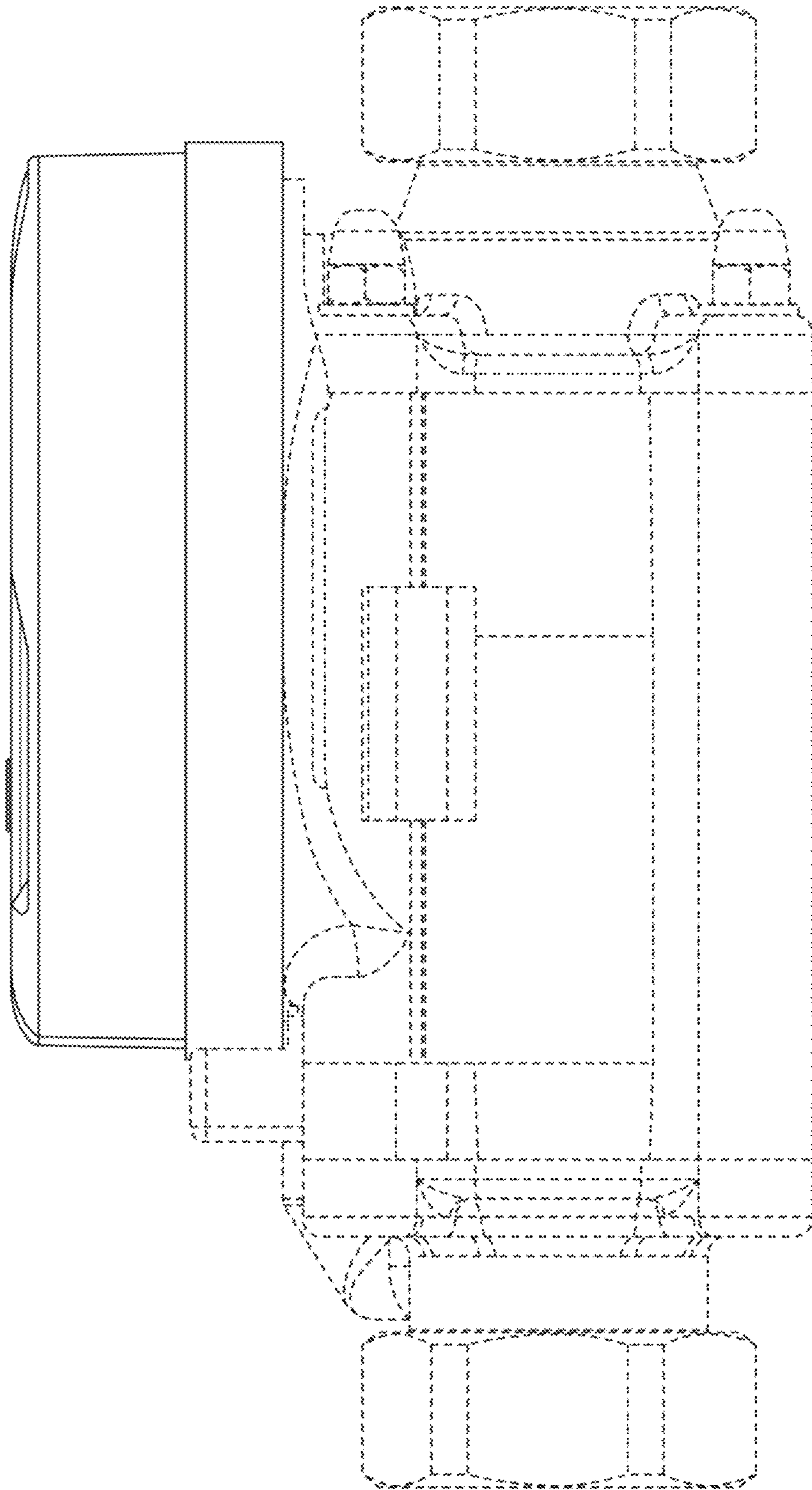


FIG. 6

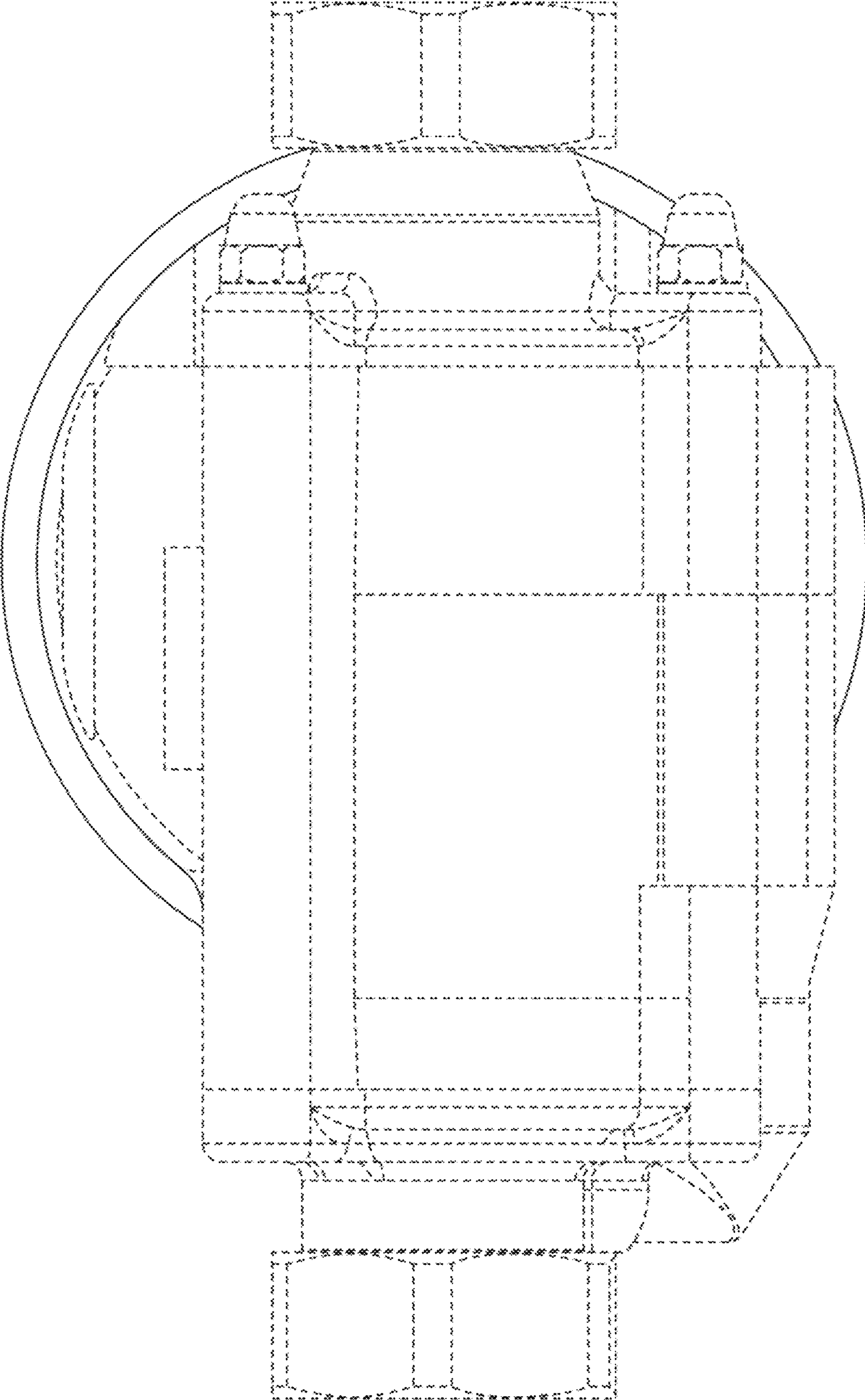


FIG. 7