



US00D944365S

(12) **United States Design Patent**  
**Lazarini**

(10) **Patent No.:** **US D944,365 S**

(45) **Date of Patent:** **\*\* Feb. 22, 2022**

(54) **FAUCET**

D828,507 S \* 9/2018 Schoenherr ..... D23/238  
D848,575 S \* 5/2019 Garland ..... D23/242  
D856,490 S \* 8/2019 Seum ..... D23/242

(71) Applicant: **DELTA FAUCET COMPANY,**  
Indianapolis, IN (US)

**FOREIGN PATENT DOCUMENTS**

(72) Inventor: **Alejandra Lazarini,** Carmel, IN (US)

CN 304684506 \* 5/2018  
IN 249374-0001 \* 11/2012  
WO D093856-021 \* 12/2016

(73) Assignee: **DELTA FAUCET COMPANY,**  
Indianapolis, IN (US)

**OTHER PUBLICATIONS**

(\*\*) Term: **15 Years**

KES 2-Handle Sink Waterfall Faucet, date first available Aug. 23, 2018[online], [site visited Mar. 23, 2021]. Available from internet, URL:<<https://www.amazon.com/2-handle-Widespread-Bathroom-Waterfall-Lavatory-L4311LF-CH/dp/B07GRYQR45>> (Year: 2018).\*

(21) Appl. No.: **29/720,691**

(Continued)

(22) Filed: **Jan. 15, 2020**

(51) **LOC (13) Cl.** ..... **23-01**

(52) **U.S. Cl.**  
USPC ..... **D23/242**

(58) **Field of Classification Search**  
USPC ..... D23/238-244, 252, 254-255, 257;  
D8/307-308  
CPC .... F16K 31/602; F16K 31/605; F16K 31/607;  
E03C 1/0412

*Primary Examiner* — Barbara Fox

*Assistant Examiner* — Jamaal Rasheed

(74) *Attorney, Agent, or Firm* — Nirav D. Parikh; Edgar A. Zarins

See application file for complete search history.

(57) **CLAIM**

The ornamental design for a faucet, as shown and described.

(56) **References Cited**

**DESCRIPTION**

**U.S. PATENT DOCUMENTS**

D625,393 S \* 10/2010 Sieger ..... D23/242  
D645,941 S \* 9/2011 Ando ..... D23/242  
D647,600 S \* 10/2011 Liao ..... D23/242  
D674,051 S \* 1/2013 Uhl ..... D23/242  
D721,165 S \* 1/2015 Downey ..... D23/255  
D767,727 S \* 9/2016 Eads ..... D23/242  
D797,246 S \* 9/2017 Downey ..... D23/242  
D799,644 S \* 10/2017 Sieger ..... D23/242  
D809,630 S \* 2/2018 Schoenherr ..... D23/242  
D811,536 S \* 2/2018 Schoenherr ..... D23/242  
D811,537 S \* 2/2018 Schoenherr ..... D23/242  
D820,403 S \* 6/2018 Garland ..... D23/239  
D828,506 S \* 9/2018 Schoenherr ..... D23/238

FIG. 1 is a front perspective view of a faucet showing my new design;

FIG. 2 is a rear perspective view thereof;

FIG. 3 is a front elevational view thereof;

FIG. 4 is a left side view thereof;

FIG. 5 is a rear view thereof;

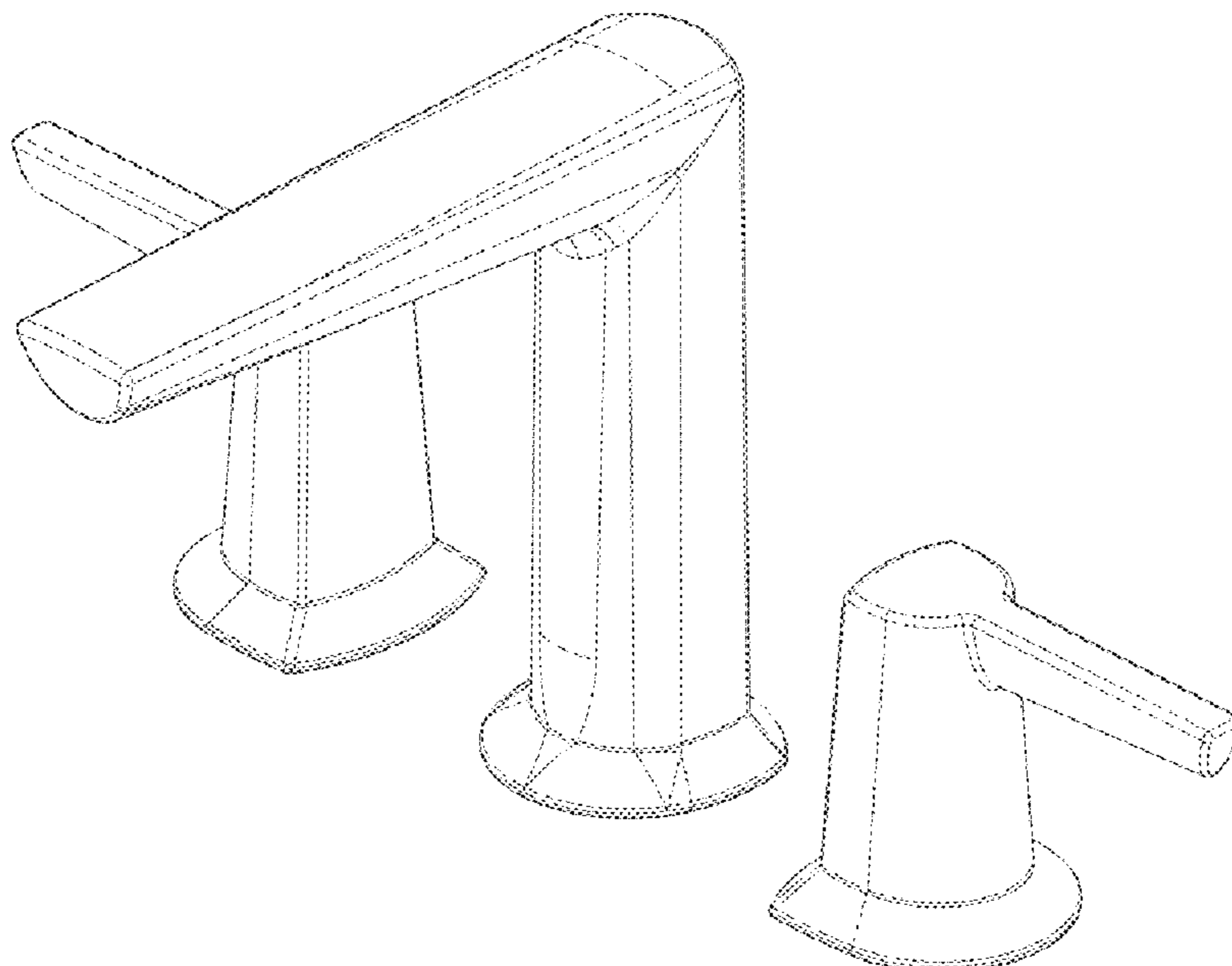
FIG. 6 is a right side view thereof;

FIG. 7 is a top plan view thereof; and,

FIG. 8 is a bottom view thereof.

The broken line shown in the figures depict portions of the faucet that forms no part of the claimed design.

**1 Claim, 4 Drawing Sheets**



(56)

**References Cited**

OTHER PUBLICATIONS

VCCUCINE Modern 2 Handle 3 Holes Solid Brass Matte Black Lavatory Vanity Sink Widespread Bathroom Faucet, Date first available Dec. 5, 2019[online], [site visited Mar. 23, 2021]. Available from internet, URL:<<https://www.amazon.com/VCCUCINE-Modern-Lavatory-Widespread-Bathroom/dp/B082CCRR43>> (Year: 2019).\*

\* cited by examiner

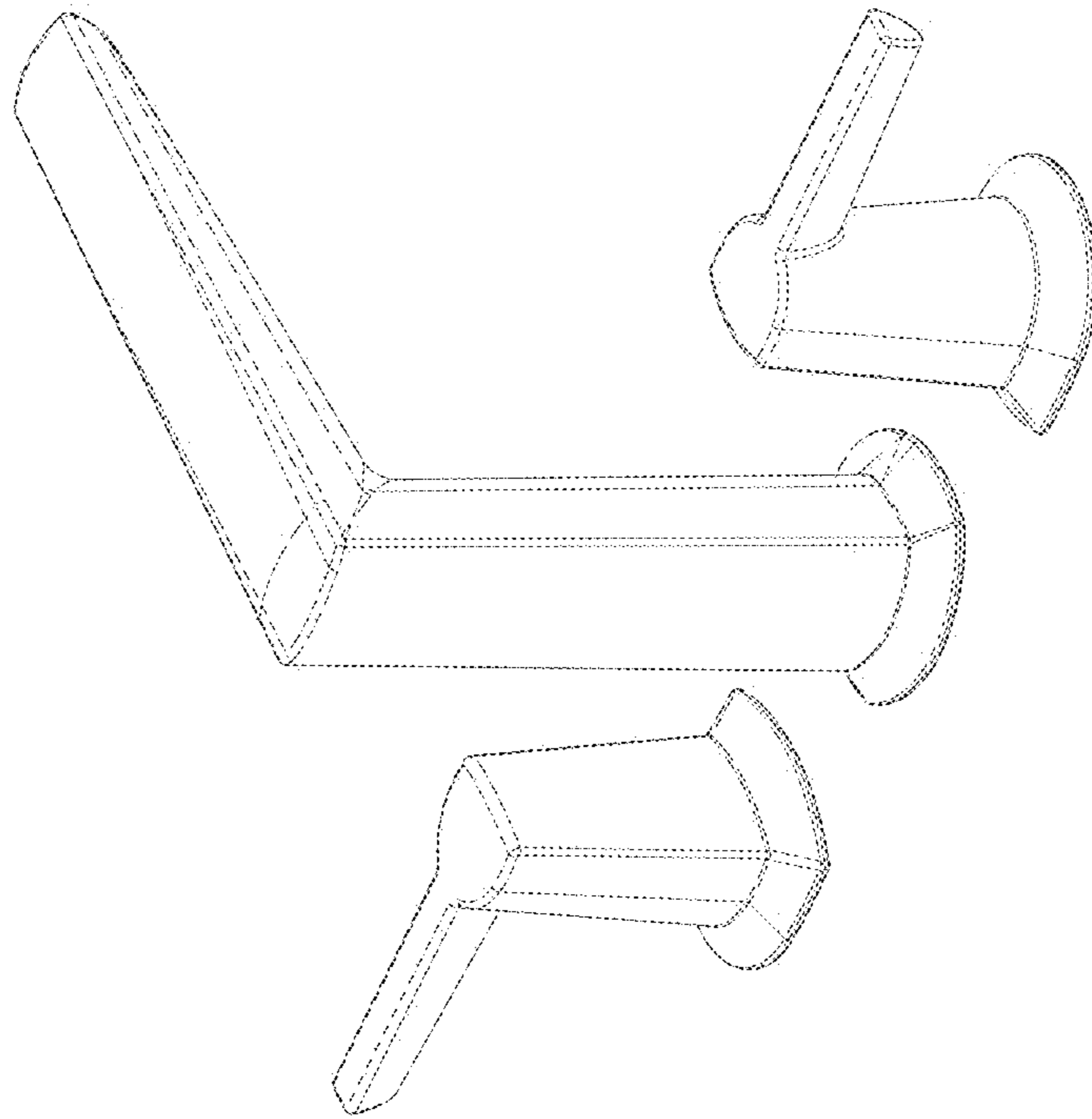


FIG. 2.

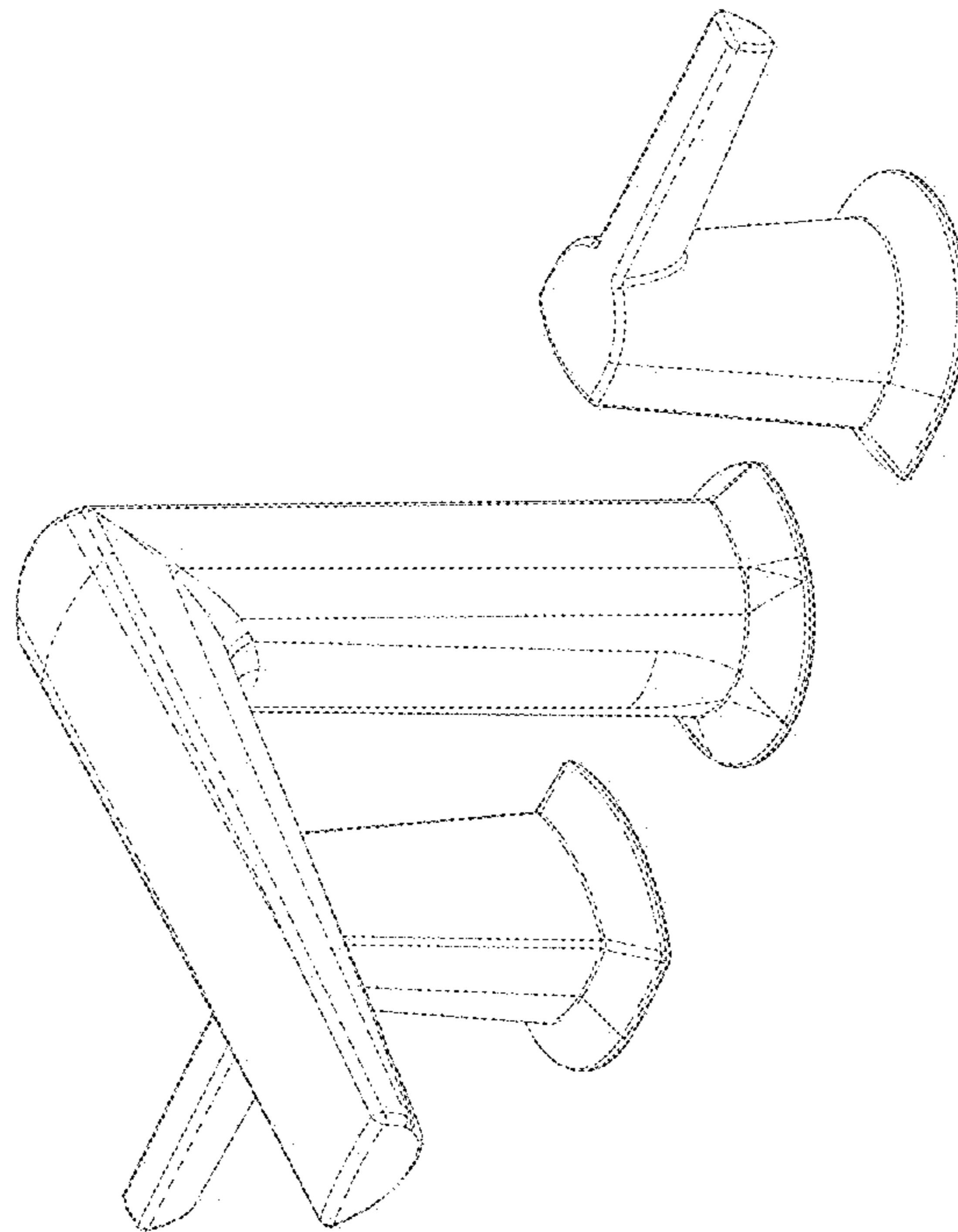


FIG. 1.

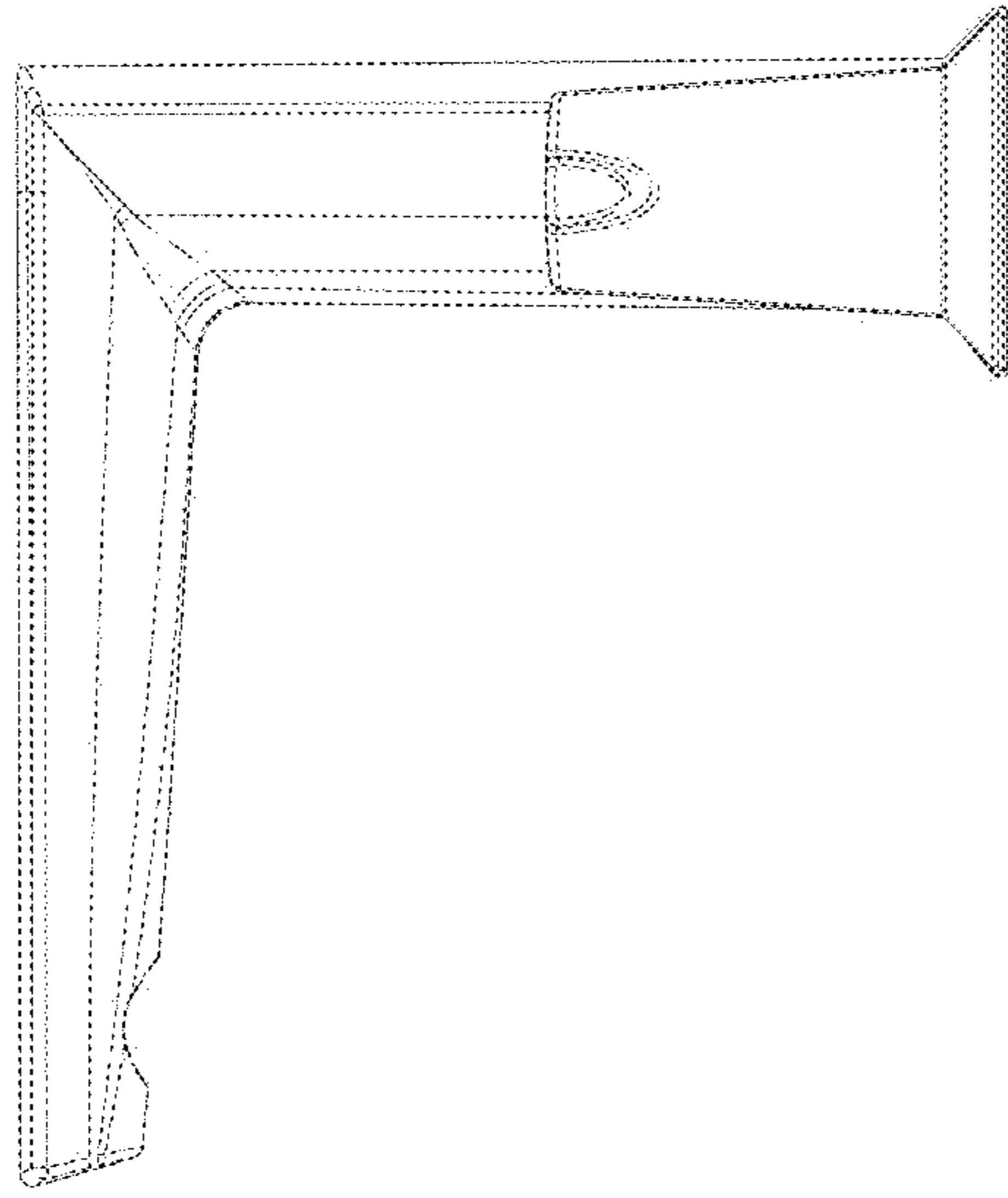


FIG - 4

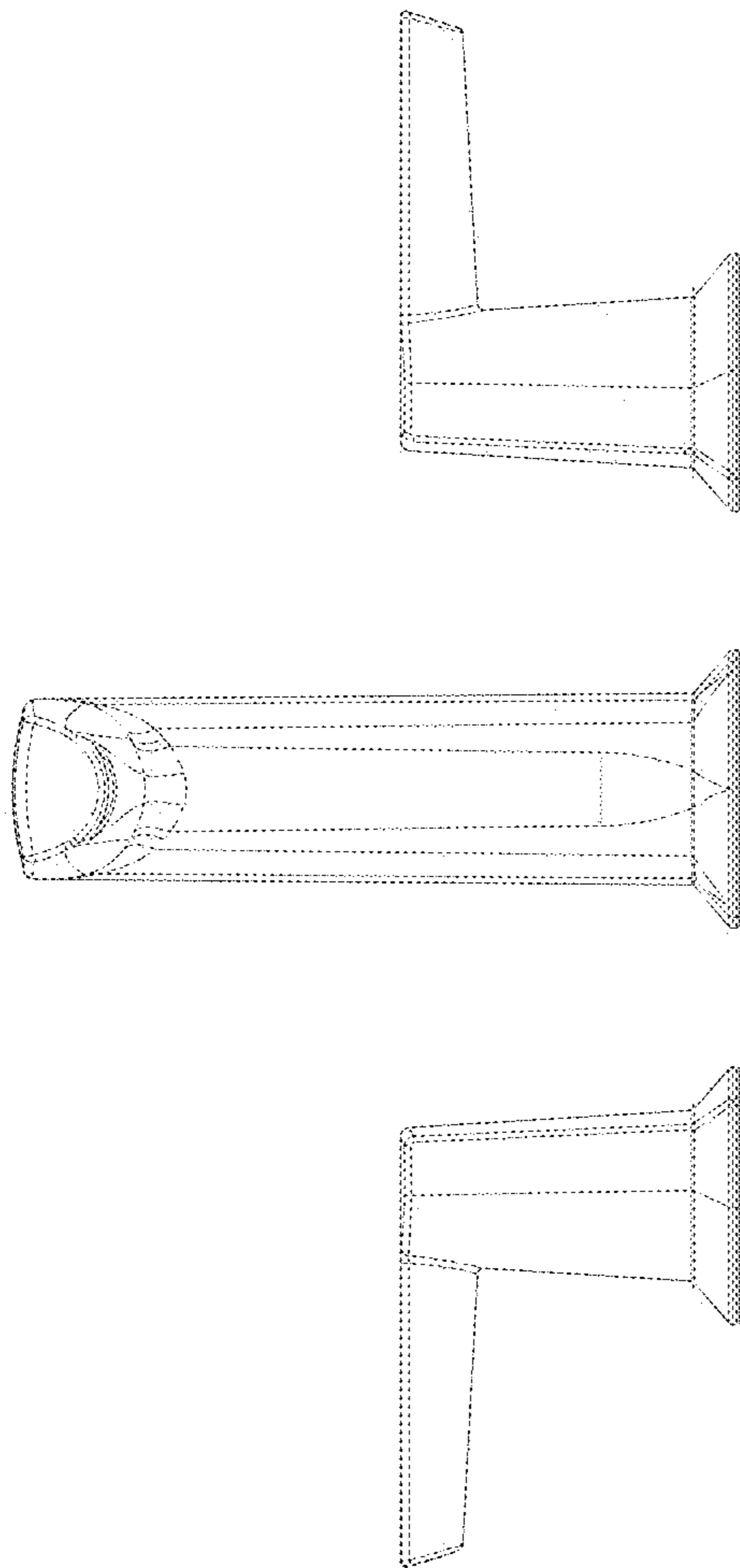


FIG - 3

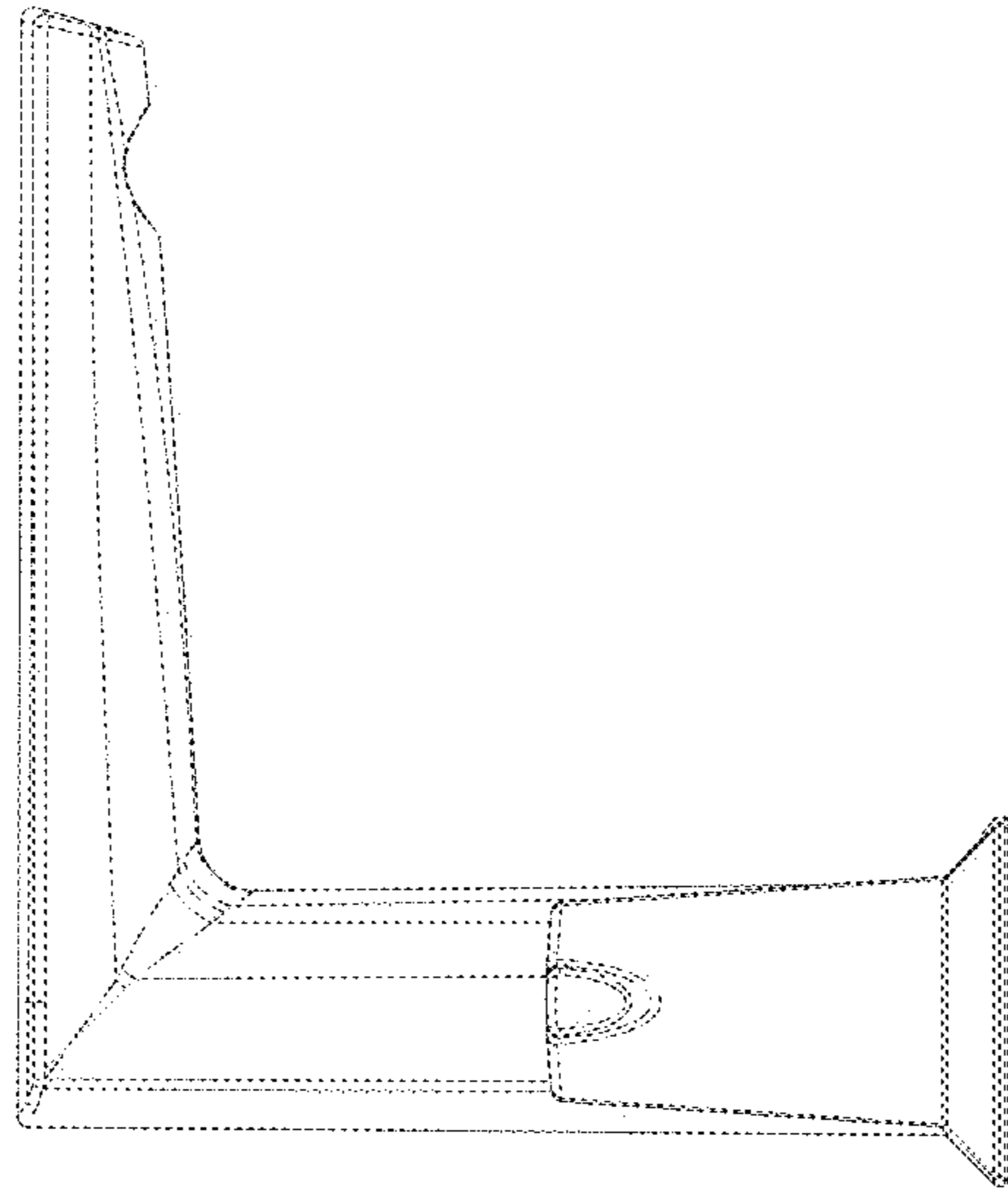


FIG - 6

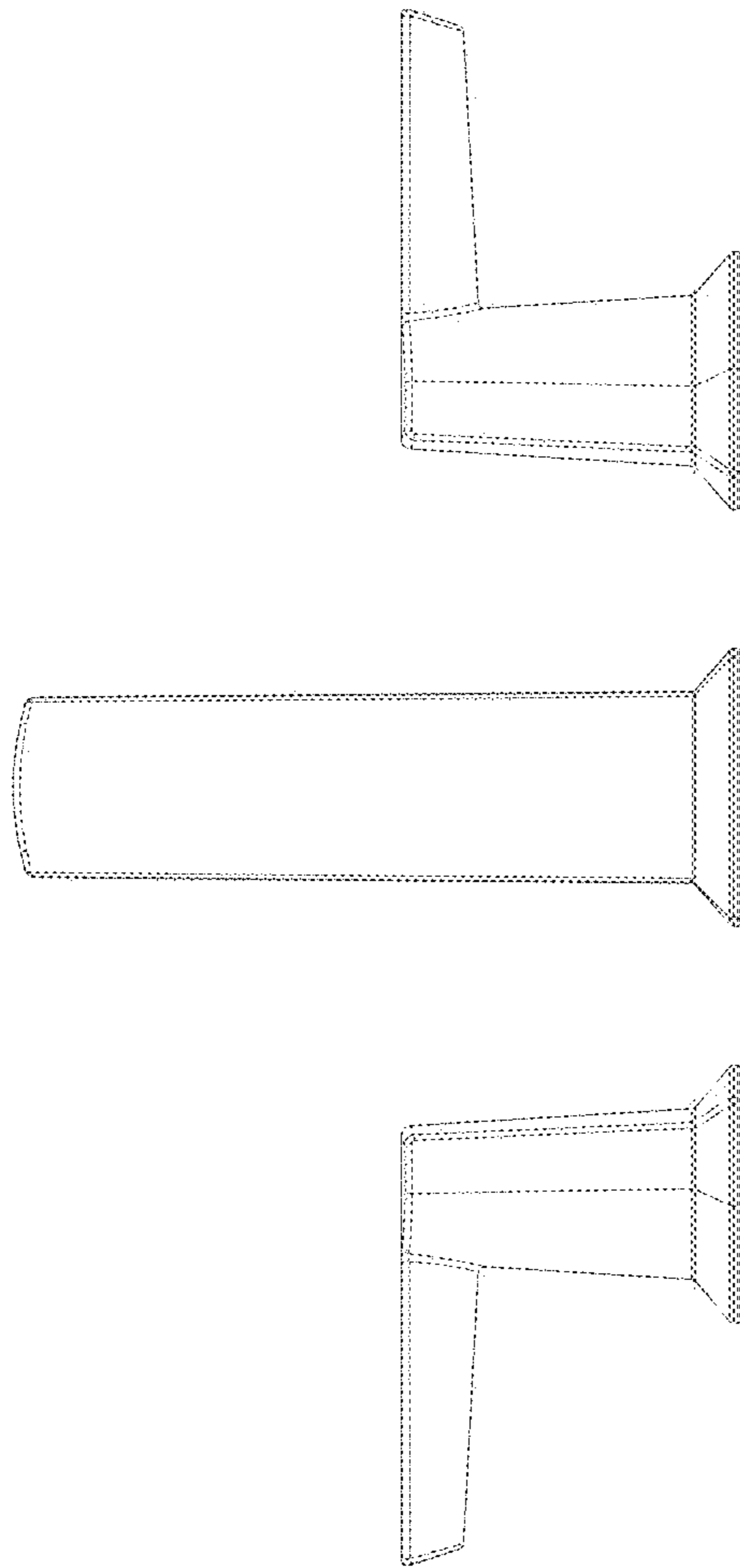


FIG - 5

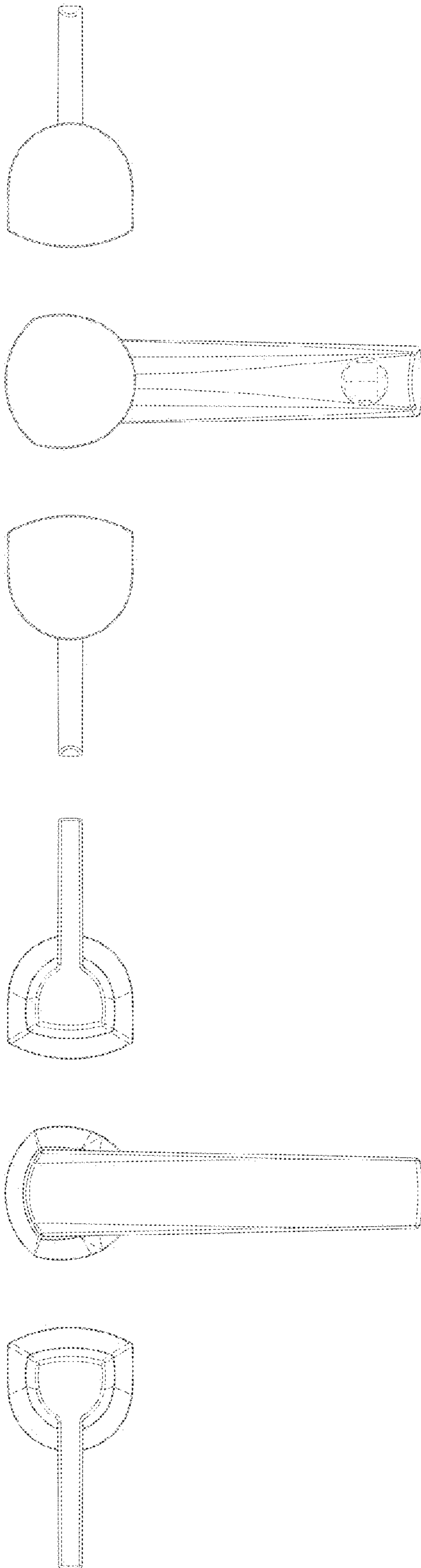


FIG - 8

FIG - 7