



US00D944364S

(12) **United States Design Patent**  
**Huang**

(10) **Patent No.:** **US D944,364 S**

(45) **Date of Patent:** **\*\* Feb. 22, 2022**

(54) **SPRAY NOZZLE**

(71) Applicant: **Kingwin Salon Equipment Co., Ltd,**  
Zhuhai (CN)

(72) Inventor: **Jing Huang,** Zhuhai (CN)

(\*\*) Term: **15 Years**

(21) Appl. No.: **29/778,370**

(22) Filed: **Apr. 13, 2021**

(51) **LOC (13) Cl.** ..... **23-01**

(52) **U.S. Cl.**  
USPC ..... **D23/226**

(58) **Field of Classification Search**  
USPC ..... D23/202, 206–209, 211, 211.1, 211.2,  
D23/212–215, 222, 226, 245, 250–251,  
D23/255–256; D24/162  
CPC ..... A01M 7/0046; B05B 9/01; B05B 12/002;  
B05B 12/0022; B05B 12/0024; B05B  
12/0026; B05B 15/63; B25G 1/10  
See application file for complete search history.

(56) **References Cited**

**U.S. PATENT DOCUMENTS**

D612,451 S *	3/2010	Nugent	.....	B05B 9/01 D23/226
D633,174 S	2/2011	Lee		
D653,306 S *	1/2012	Chen	.....	D23/226
D657,018 S *	4/2012	Chen	.....	D23/226
D687,513 S *	8/2013	Williams	.....	D23/209
D760,349 S *	6/2016	Chen	.....	D23/223
D767,713 S *	9/2016	Biltoft	.....	D23/209
D780,290 S *	2/2017	Naslund	.....	D23/223
D811,523 S	2/2018	Andrew		

D825,716 S *	8/2018	Helmsderfer	.....	D23/223
D830,500 S *	10/2018	Yoon	.....	D23/207
D875,210 S	2/2020	Thurgood		
D875,884 S *	2/2020	Bowell	.....	D23/223
D888,194 S *	6/2020	Cordova	.....	D23/209
D911,489 S	2/2021	Spooner		
D926,932 S *	8/2021	Chen	.....	D23/226
2013/0193236 A1 *	8/2013	Ye	.....	B05B 9/01 239/526

\* cited by examiner

*Primary Examiner* — Karen S Acker

*Assistant Examiner* — Jonathan E Fiencke

(74) *Attorney, Agent, or Firm* — Rumit Ranjit Kanakia

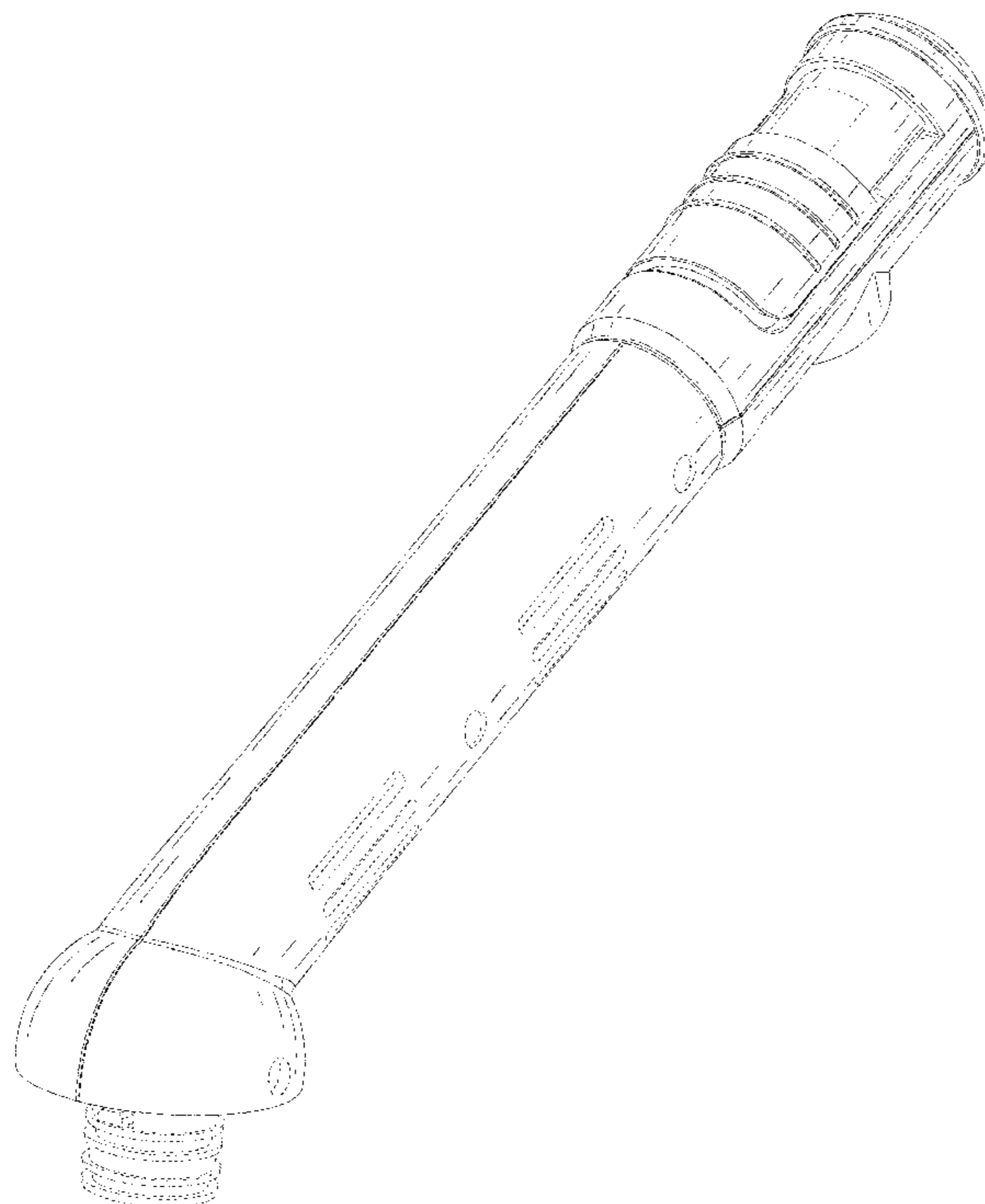
(57) **CLAIM**

I claim the ornamental design for a spray nozzle, as shown and described.

**DESCRIPTION**

FIG. 1 is a Front Perspective view of a spray nozzle showing my new design;  
FIG. 2 is a Bottom Perspective view thereof;  
FIG. 3 is a Front view thereof;  
FIG. 4 is a Back view thereof;  
FIG. 5 is a Left-side view thereof;  
FIG. 6 is a Right-side view thereof;  
FIG. 7 is a Top view thereof; and,  
FIG. 8 is a Bottom view thereof.  
The broken lines and unshaded areas in the drawings depict portions of the spray nozzle that form no part of the claimed design.

**1 Claim, 8 Drawing Sheets**



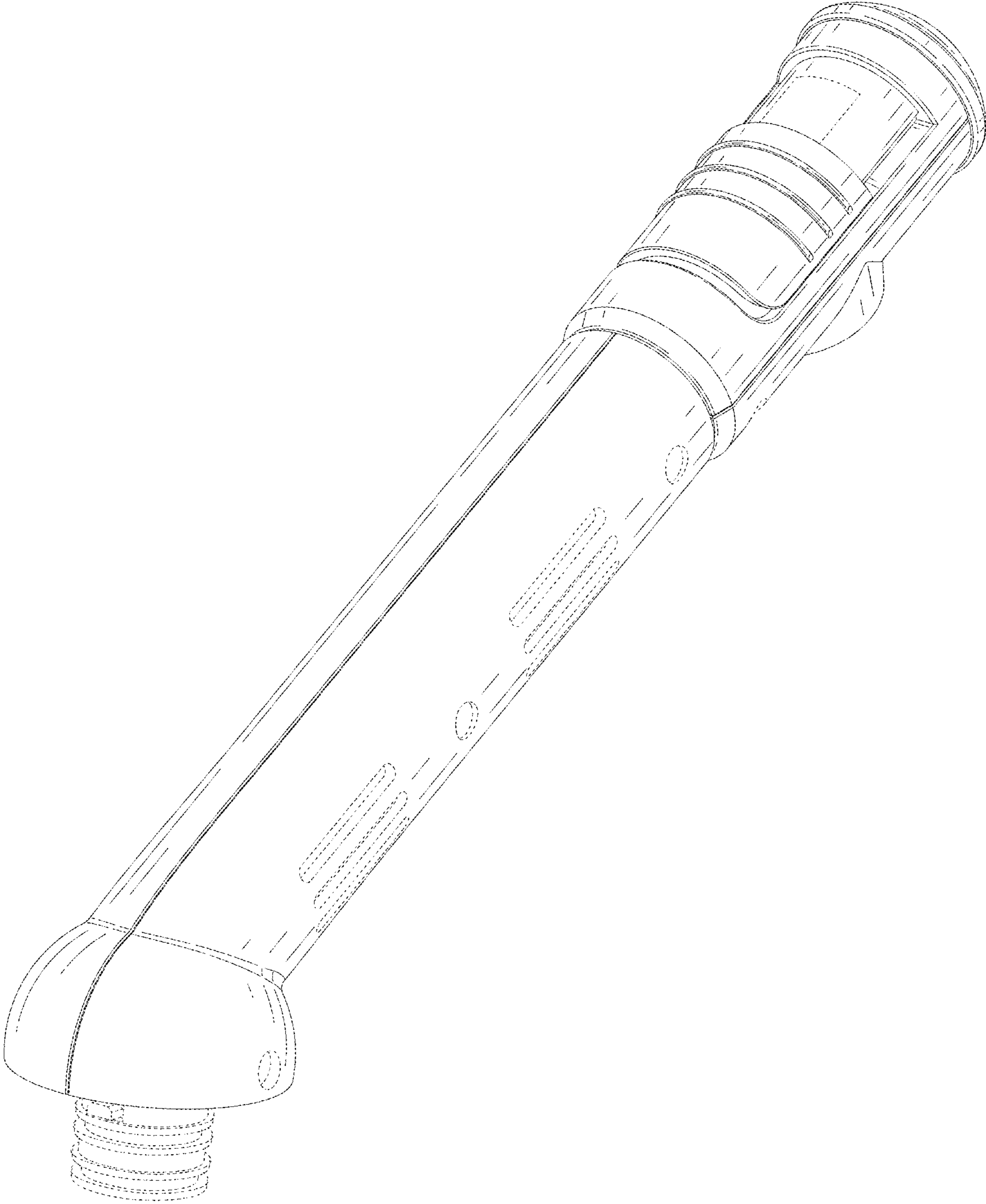


FIG. 1

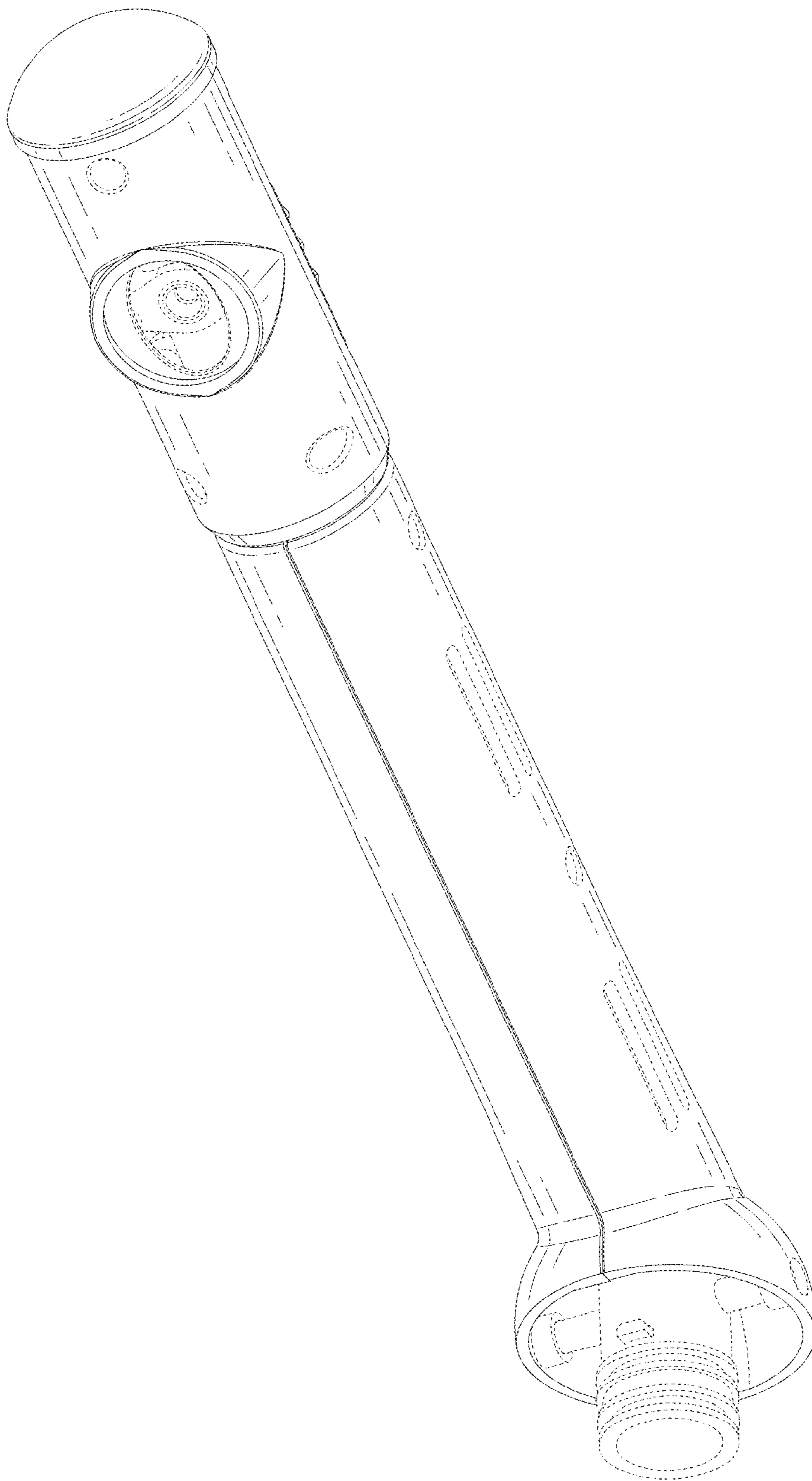


FIG. 2

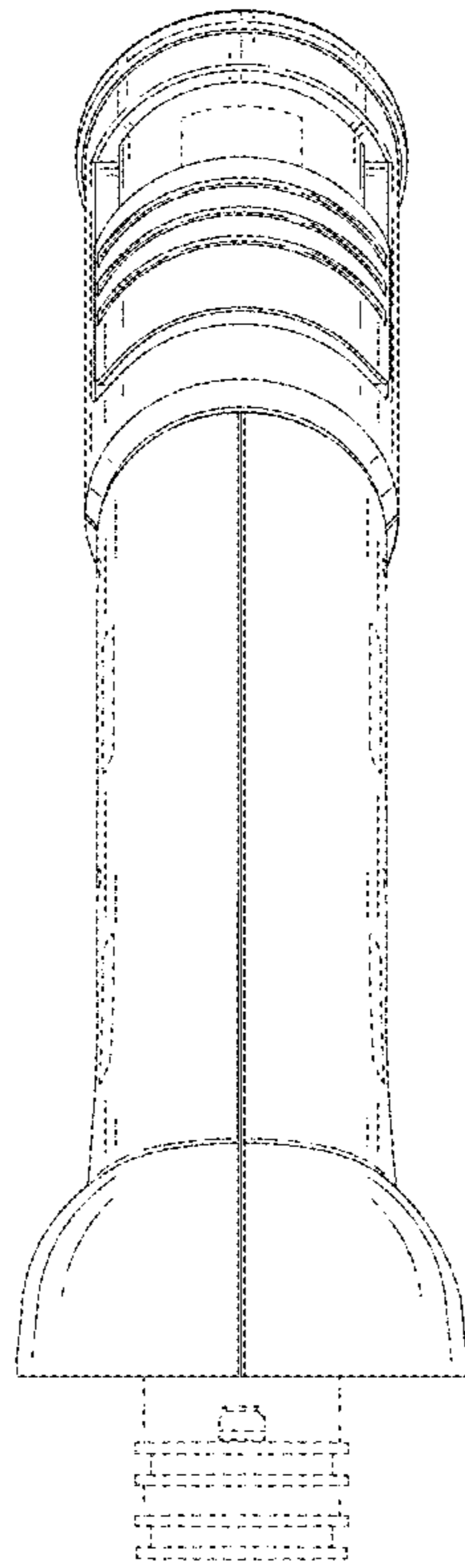


FIG. 3

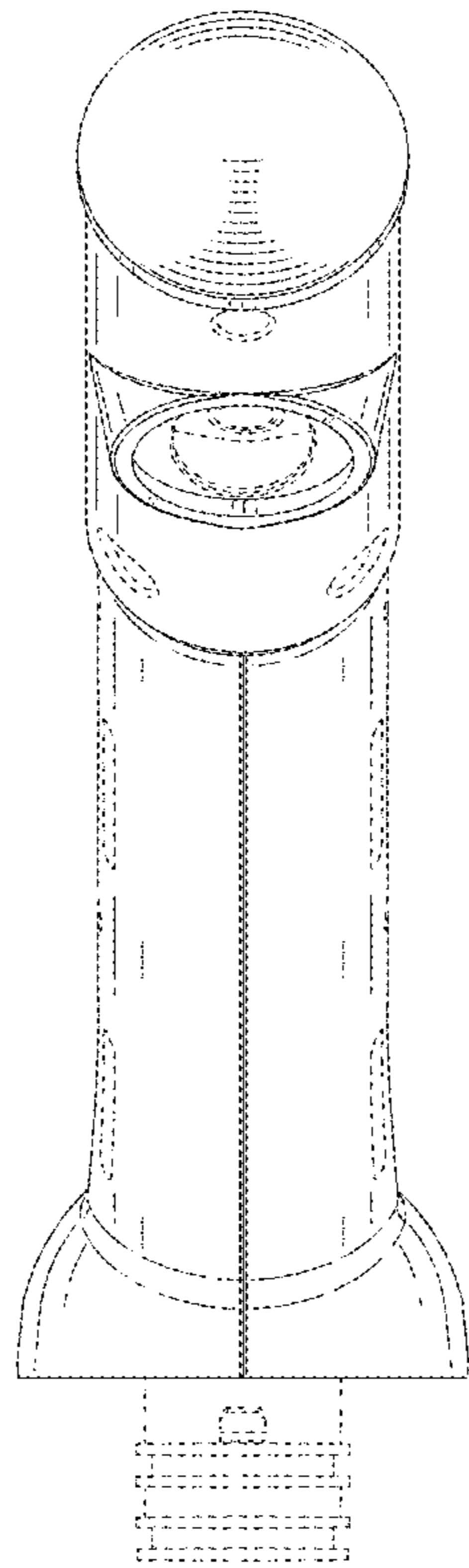


FIG. 4

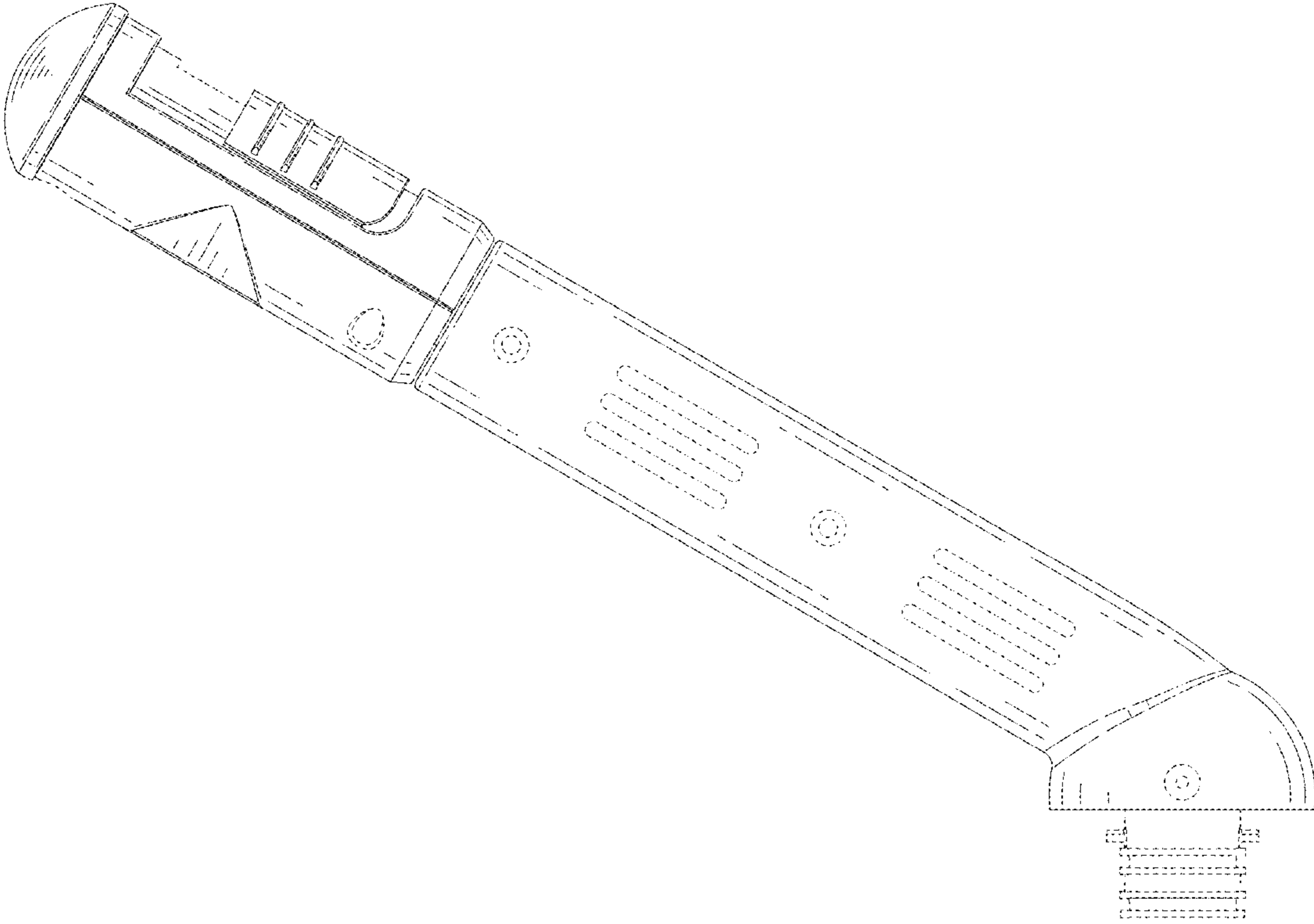


FIG. 5

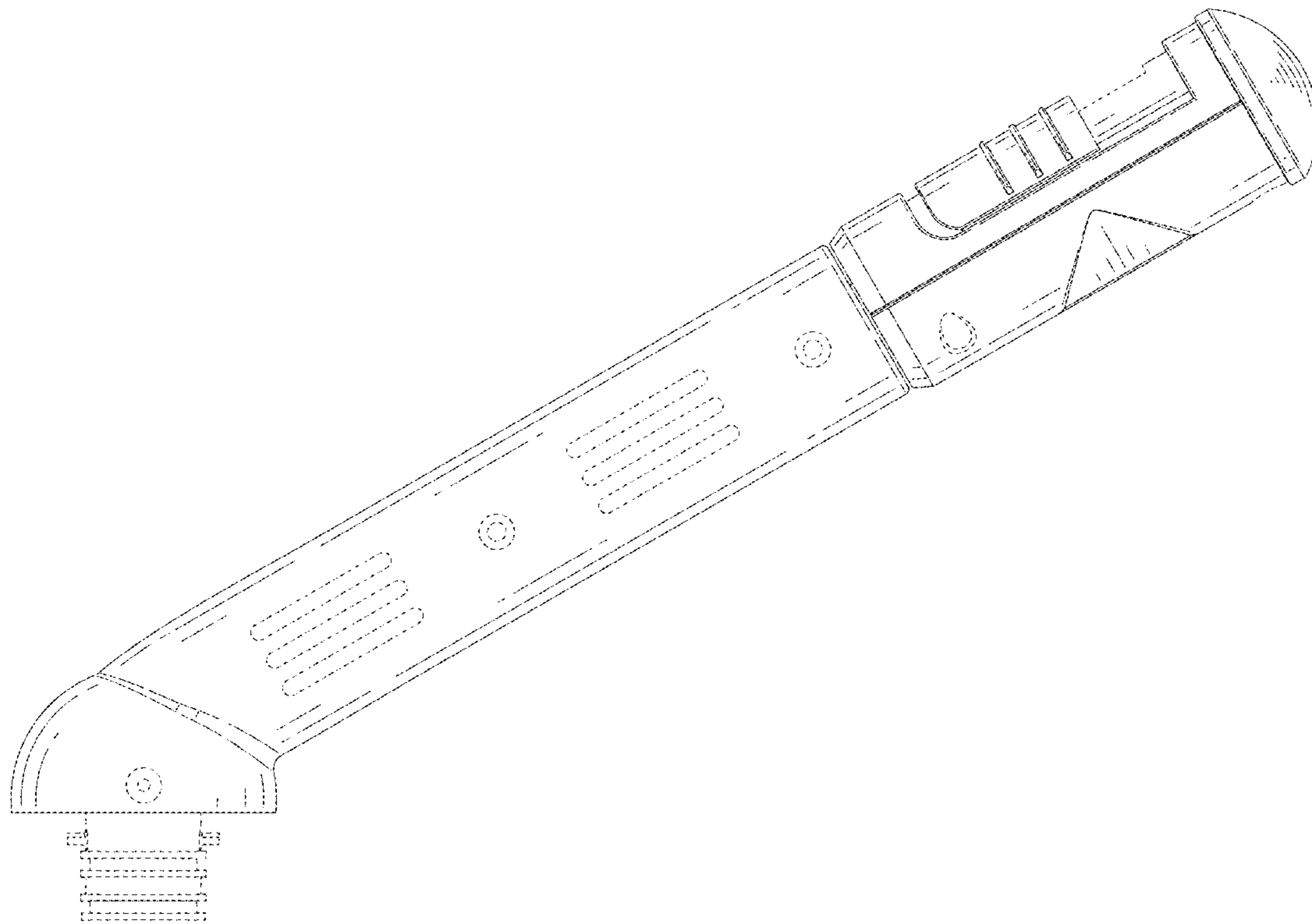


FIG. 6

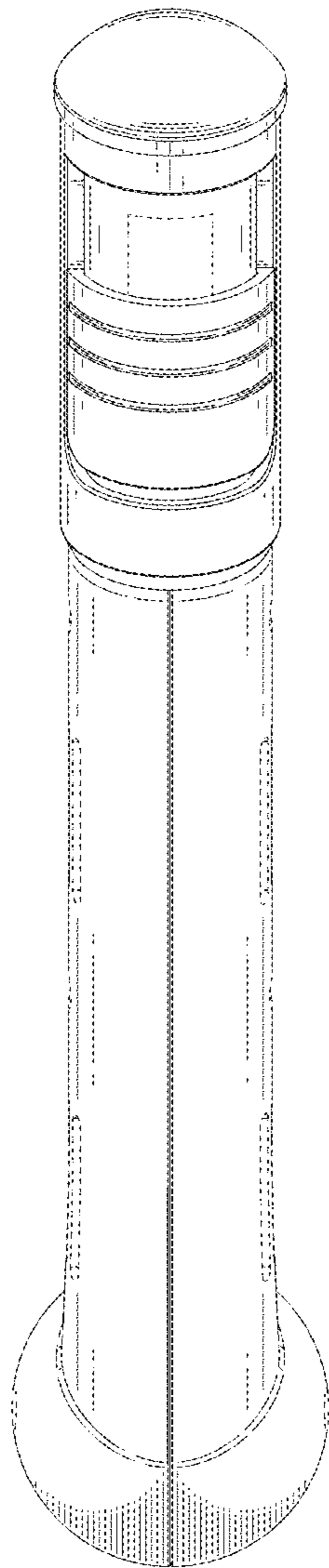


FIG. 7



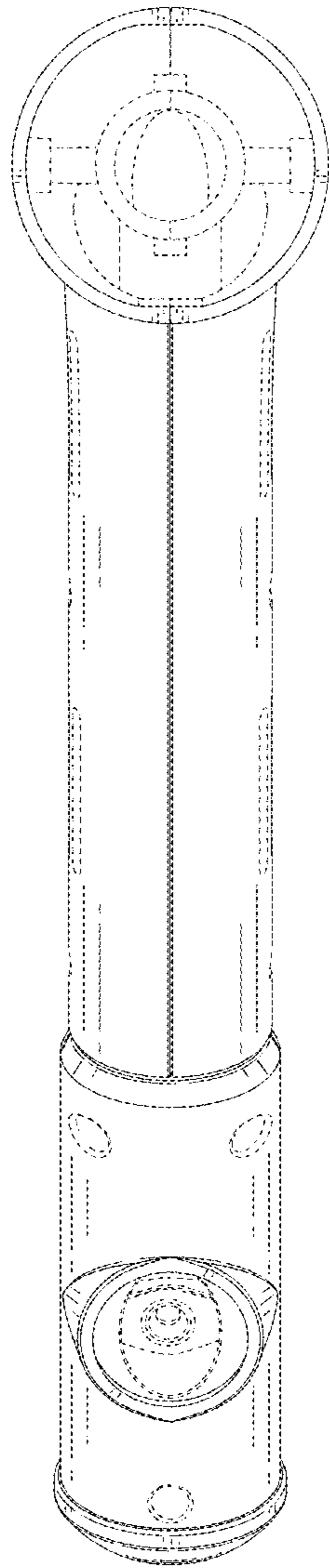


FIG. 8