

US00D944362S

(12) **United States Design Patent**
Liang

(10) **Patent No.:** **US D944,362 S**

(45) **Date of Patent:** **** Feb. 22, 2022**

(54) **SHOWER SPRINKLER WITH MASSAGE FUNCTION**

D920,475 S * 5/2021 Michalak D23/226
D930,790 S * 9/2021 Yan D23/223
D931,411 S * 9/2021 Yan D23/213

(71) Applicant: **Yinghao Liang**, Ruzhou (CN)

(72) Inventor: **Yinghao Liang**, Ruzhou (CN)

(73) Assignee: **Shanghai Qinxu Industrial Co., Ltd**

(**) Term: **15 Years**

(21) Appl. No.: **29/745,801**

(22) Filed: **Aug. 10, 2020**

(51) **LOC (13) Cl.** **23-01**

(52) **U.S. Cl.**
USPC **D23/223**

(58) **Field of Classification Search**
USPC D23/213, 214, 215, 222, 223, 224, 226,
D23/229, 230
CPC A61H 9/0021; A61H 33/00; B05B 1/00;
B05B 1/14; B05B 1/185; B05B 1/08;
B05B 1/02; B05B 1/26; B05B 12/002;
B05B 1/18; B05B 9/01

See application file for complete search history.

(56) **References Cited**

U.S. PATENT DOCUMENTS

D557,766 S * 12/2007 Hoernig D23/223
D575,845 S * 8/2008 Lobermeier D23/223
D604,392 S * 11/2009 Schoenherr D23/223
D655,388 S * 3/2012 Schoenherr D23/223
D721,420 S * 1/2015 Hawkins D23/223
9,566,593 B2 * 2/2017 Marty B05B 15/652
D822,160 S * 7/2018 Urry D23/223
D824,492 S * 7/2018 Chen D23/223
D912,767 S * 3/2021 Ladwig D23/223
D917,663 S * 4/2021 Yan D23/223
D919,746 S * 5/2021 Lin D23/223
D919,747 S * 5/2021 Lin D23/223

OTHER PUBLICATIONS

No branded Pet Massage Shower,Brush Head, Shower Head, Jul. 23, 2020, Amazon.com, Aug. 12, 2021.URL: <https://www.amazon.com/branded-Massage-Silicone-Combing-Adjustable/dp/B08DHV73X1> (Year: 2020).*
2-in-1 Massaging Shower Head, 20" Long Handle with Soft, Flexible Hand Held Silicone Scrub Brush, Feb. 17, 2021, Amazon.com, Aug. 12, 2021. URL: <https://www.amazon.com/Massaging-Lightweight-Ergonomic-Removable-Showerhead/dp/B08WRGLWLW> (Year: 2021).*
Conair CHDS14 INFINITIPRO Hydro-Detangler Showerhead, Chrome Finish, Jun. 26, 2019, Amazon.com, Aug. 12, 2021.URL: <https://www.amazon.com/Infiniti-Pro-Conair-CHDS14-Hydro-Detangler/dp/B07TZHH5Z2> (Year: 2019).*

(Continued)

Primary Examiner — Jack Reickel
Assistant Examiner — Keith J Wilson

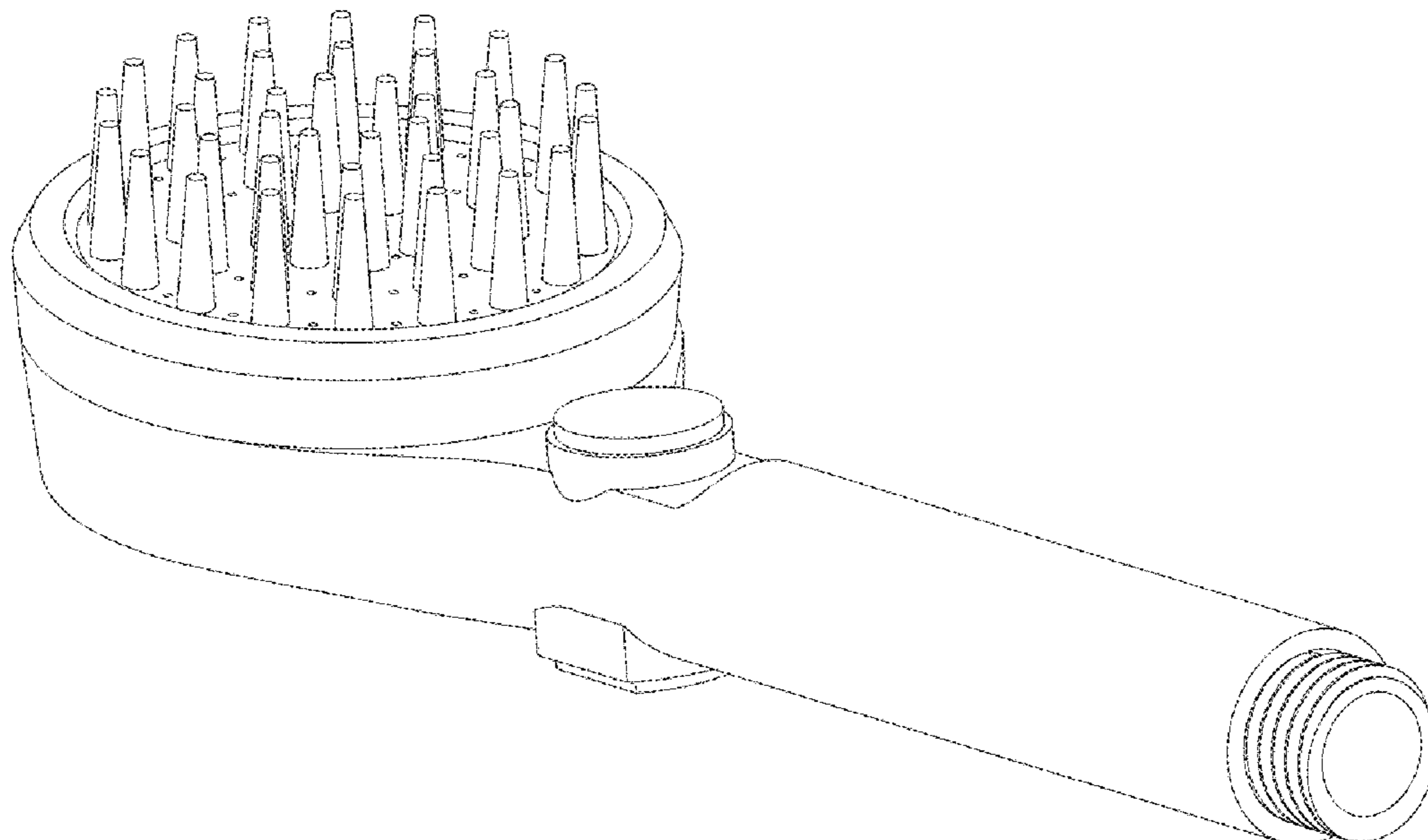
(57) **CLAIM**

The ornamental design for a shower sprinkler with massage function, as shown and described.

DESCRIPTION

FIG. 1 is a perspective view of a shower sprinkler with massage function showing the claimed design;
FIG. 2 is a top plan view thereof;
FIG. 3 is a rear elevational view thereof;
FIG. 4 is a bottom plan view thereof;
FIG. 5 is a right side view thereof;
FIG. 6 is a front elevational view thereof; and,
FIG. 7 is a left side view thereof.

1 Claim, 7 Drawing Sheets



(56)

References Cited

OTHER PUBLICATIONS

Wagen Pet Dog Shower Head with Brush and Scraper, Mar. 23, 2017, Amazon.com, Aug. 12, 2021. URL: https://www.amazon.com/dp/B06XSPJNMD/ref=cm_sw_su_dp (Year: 2017).*

2 in 1 Face Brush for Cleansing and Exfoliating—Facial Cleaning Brush, Oct. 2, 2019, amazon.com, Oct. 20, 2021, URL: <https://www.amazon.com/dp/B075PSC7S> (Year: 2019).*

Facial Cleansing Brush, Facial Cleaning Brush, Oct. 2, 2019, amazon.com, Oct. 21, 2021, URL: <https://www.amazon.com/dp/B07SL39XX3> (Year: 2019).*

Pet Odor Eliminator Brush for Dog and Cat, Electric Ozone Generator Massage, Jul. 14, 2020, amazon.com, Oct. 21, 2021 <https://www.amazon.com/Eliminator-Electric-Generator-Disinfect-Sterilize/dp/B08CXS83BJ> (Year: 2020).*

* cited by examiner

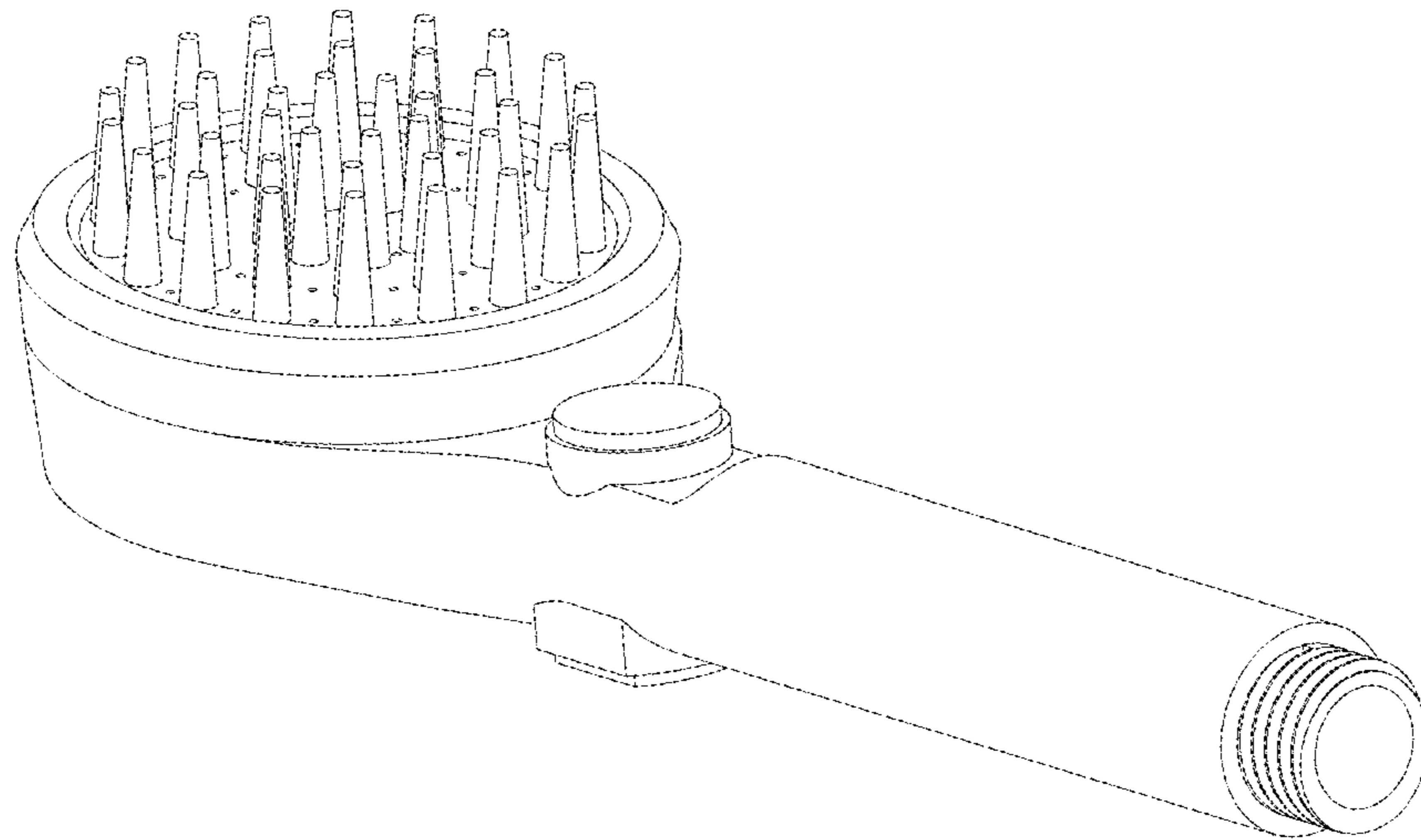


FIG.1

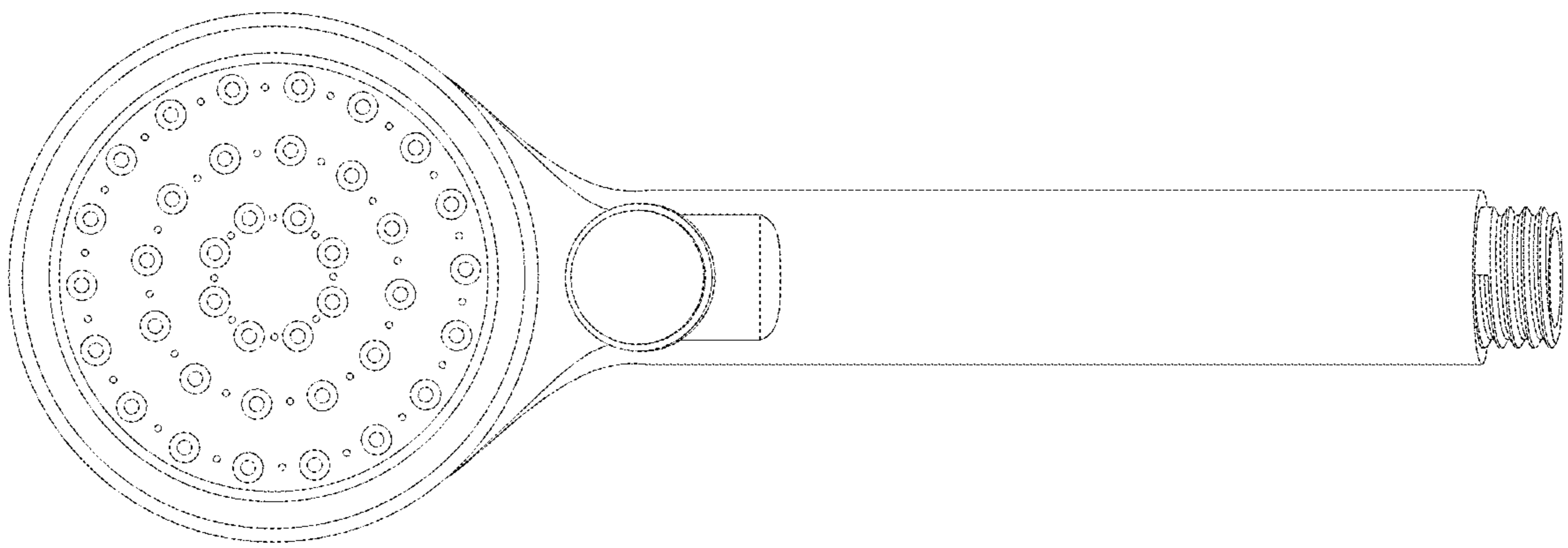


FIG. 2

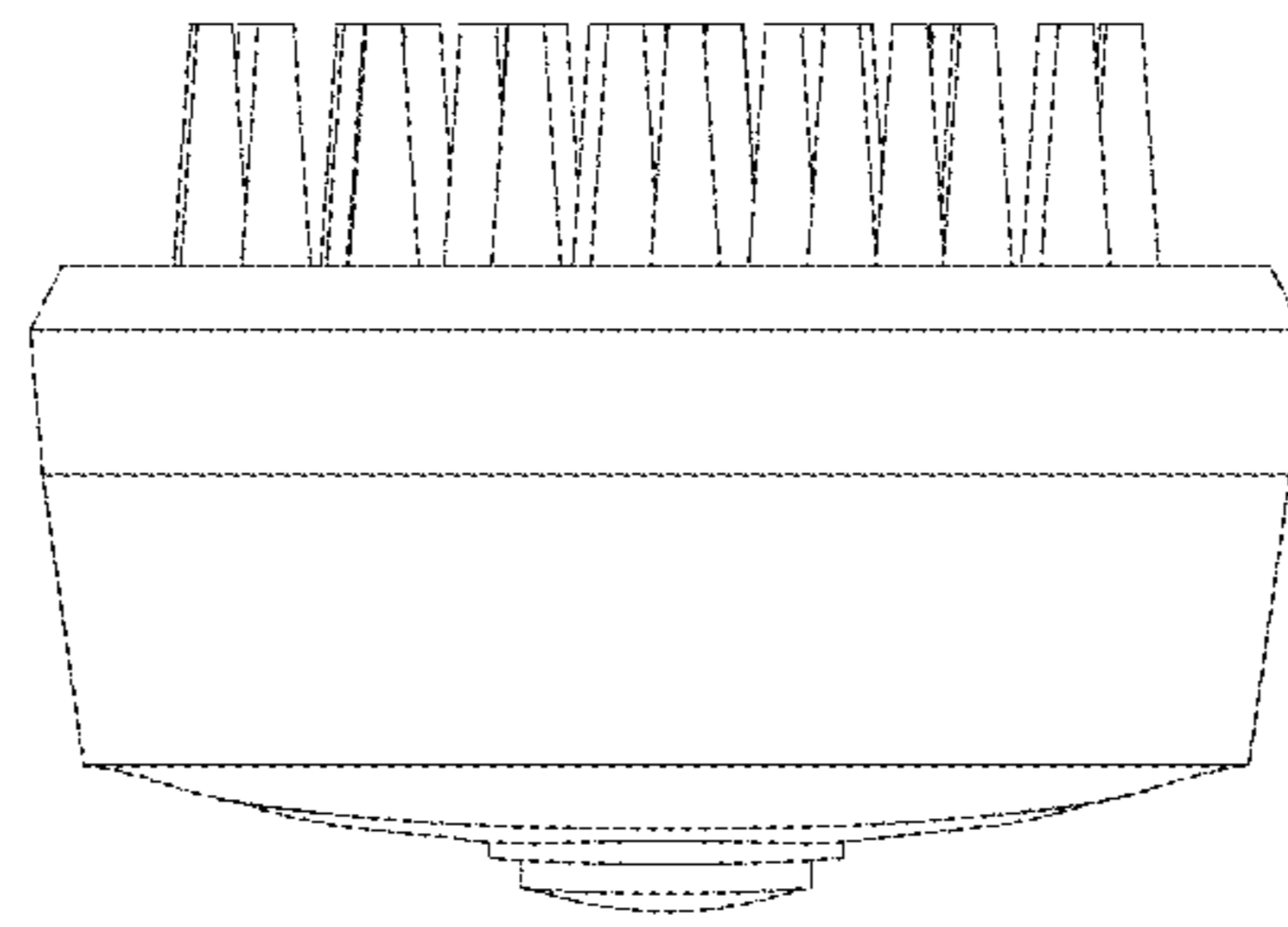


FIG. 3

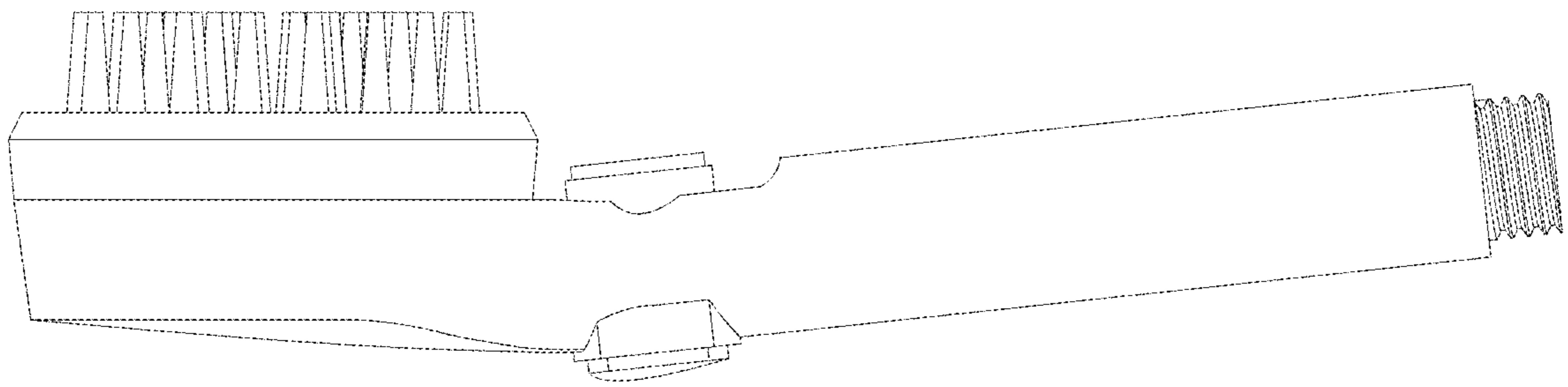


FIG. 4

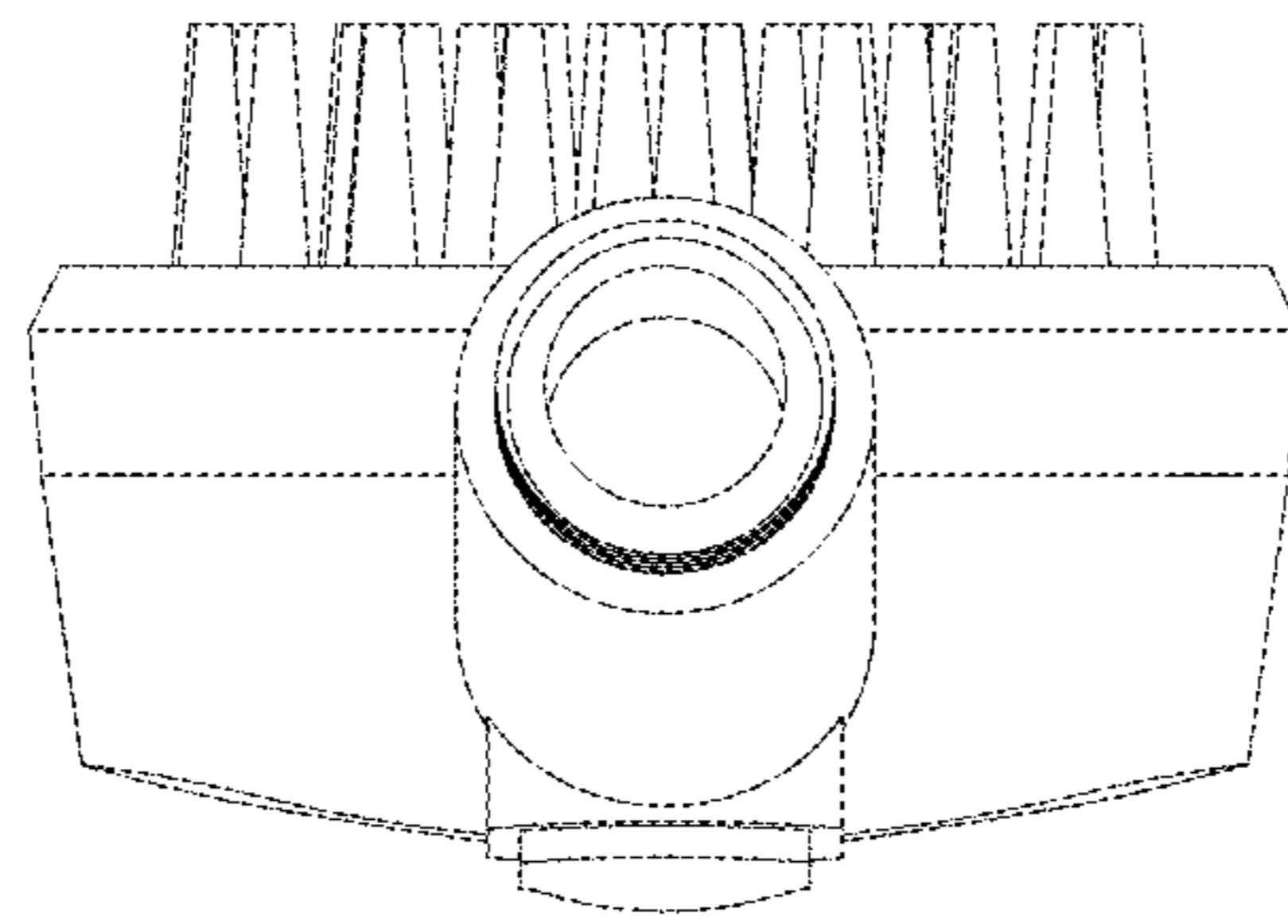


FIG. 5

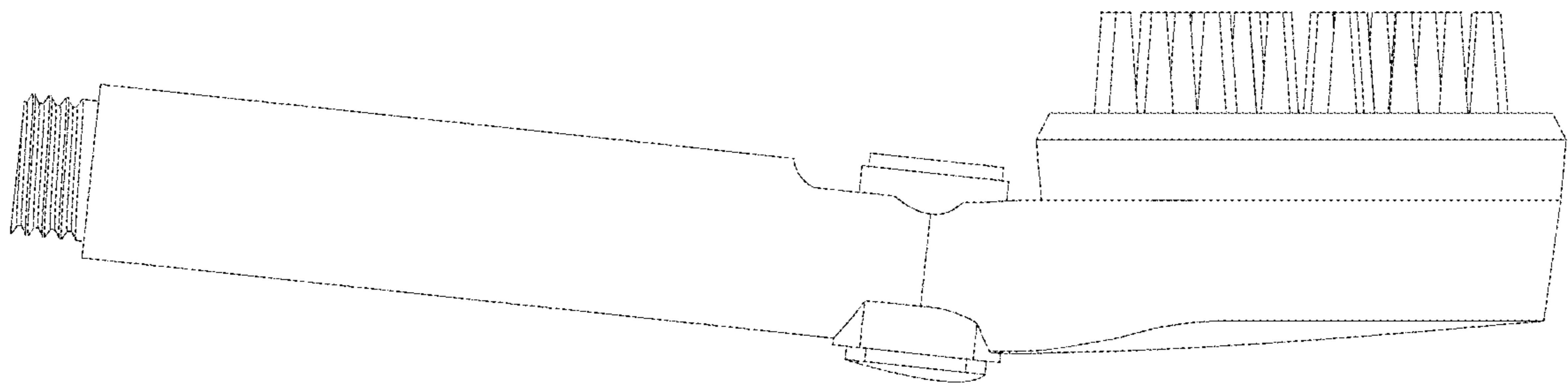


FIG.6

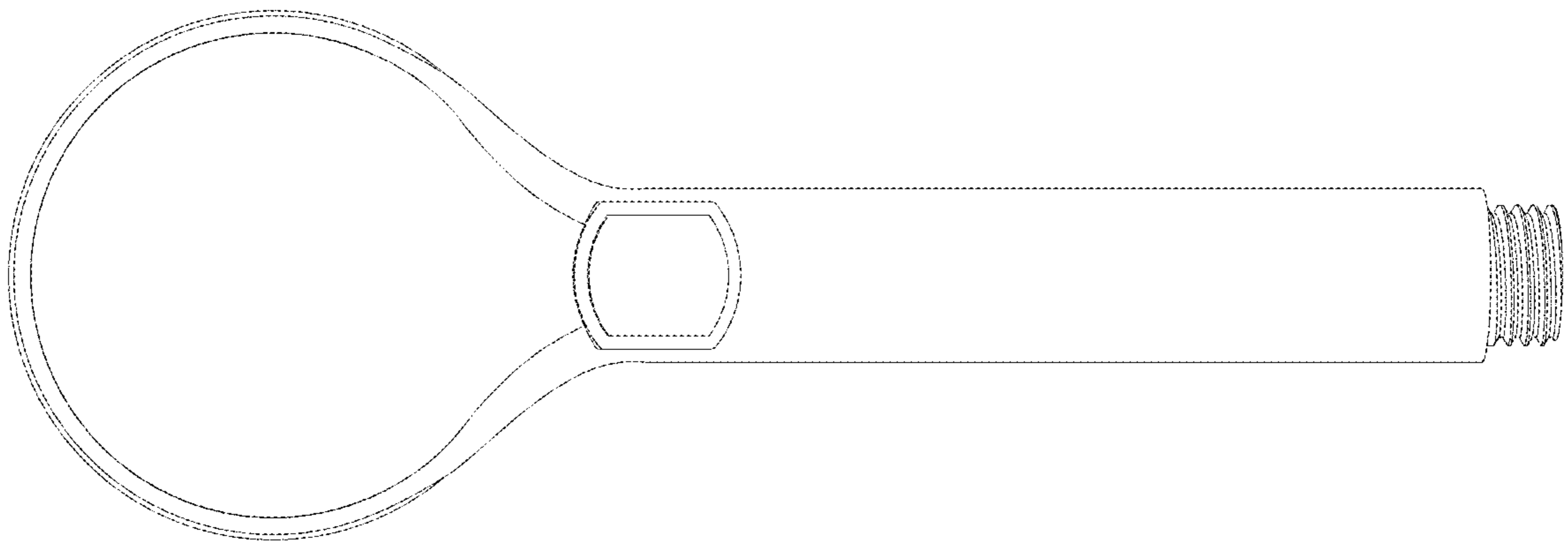


FIG. 7