

US00D944361S

(12) **United States Design Patent** (10) **Patent No.:** **US D944,361 S**
Nguyen et al. (45) **Date of Patent:** **** Feb. 22, 2022**

(54) **SPRAYER HEAD**

(71) Applicants: **Berlin Packaging, LLC**, Chicago, IL (US); **Ecolab USA Inc.**, Eagan, MN (US)

(72) Inventors: **Tien Nguyen**, Chicago, IL (US); **Hope Weilage**, Marshall, MN (US); **Alex Nee**, Richfield, MN (US)

(73) Assignee: **Berlin Packaging, LLC**, Chicago, IL (US)

(**) Term: **15 Years**

(21) Appl. No.: **29/673,253**

(22) Filed: **Dec. 13, 2018**

(51) **LOC (13) Cl.** **23-01**

(52) **U.S. Cl.**
USPC **D23/213**

(58) **Field of Classification Search**
USPC D23/207, 213, 214, 215, 223, 224, 225, D23/226, 229, 230; D9/685
CPC A61H 9/0021; A61H 33/00; B05B 1/00; B05B 1/14; B05B 1/185; B05B 1/08; B05B 1/02; B05B 1/26; B05B 12/002; B05B 1/18; B05B 9/01
See application file for complete search history.

(56) **References Cited**

U.S. PATENT DOCUMENTS

| | | | | |
|----------------|---------|-----------|-------|-------------|
| D320,430 S * | 10/1991 | Renfrew | | D23/212 |
| D337,945 S * | 8/1993 | Warner | | D23/213 |
| D385,492 S * | 10/1997 | Foster | | D9/448 |
| D394,008 S * | 5/1998 | Foster | | D9/448 |
| D479,306 S * | 9/2003 | Chen | | D23/226 |
| D502,987 S * | 3/2005 | Fritz | | D23/226 |
| 6,981,658 B2 * | 1/2006 | Streutker | | B05B 9/0861 |
| | | | | 239/337 |
| D574,463 S * | 8/2008 | Soriano | | D23/226 |

| | | | | |
|--------------|---------|---------|-------|---------|
| D581,486 S * | 11/2008 | Fulford | | D23/223 |
| D653,542 S * | 2/2012 | Arminak | | D9/448 |
| D653,946 S * | 2/2012 | Arminak | | D9/448 |

(Continued)

OTHER PUBLICATIONS

Nicely Neat Water Mister & Spray Bottle, Jul. 11, 2018, amazon.com, Oct. 7, 2021, URL: <https://www.amazon.com/Mister-Bottle-Gardens-Adjustable-Pressure/dp/B00ZTXE3XS> (Year: 2018).*

(Continued)

Primary Examiner — Jack Reickel
Assistant Examiner — Keith J Wilson
(74) *Attorney, Agent, or Firm* — Adam K. Sacharoff; Much Shelist, P.C.

(57) **CLAIM**

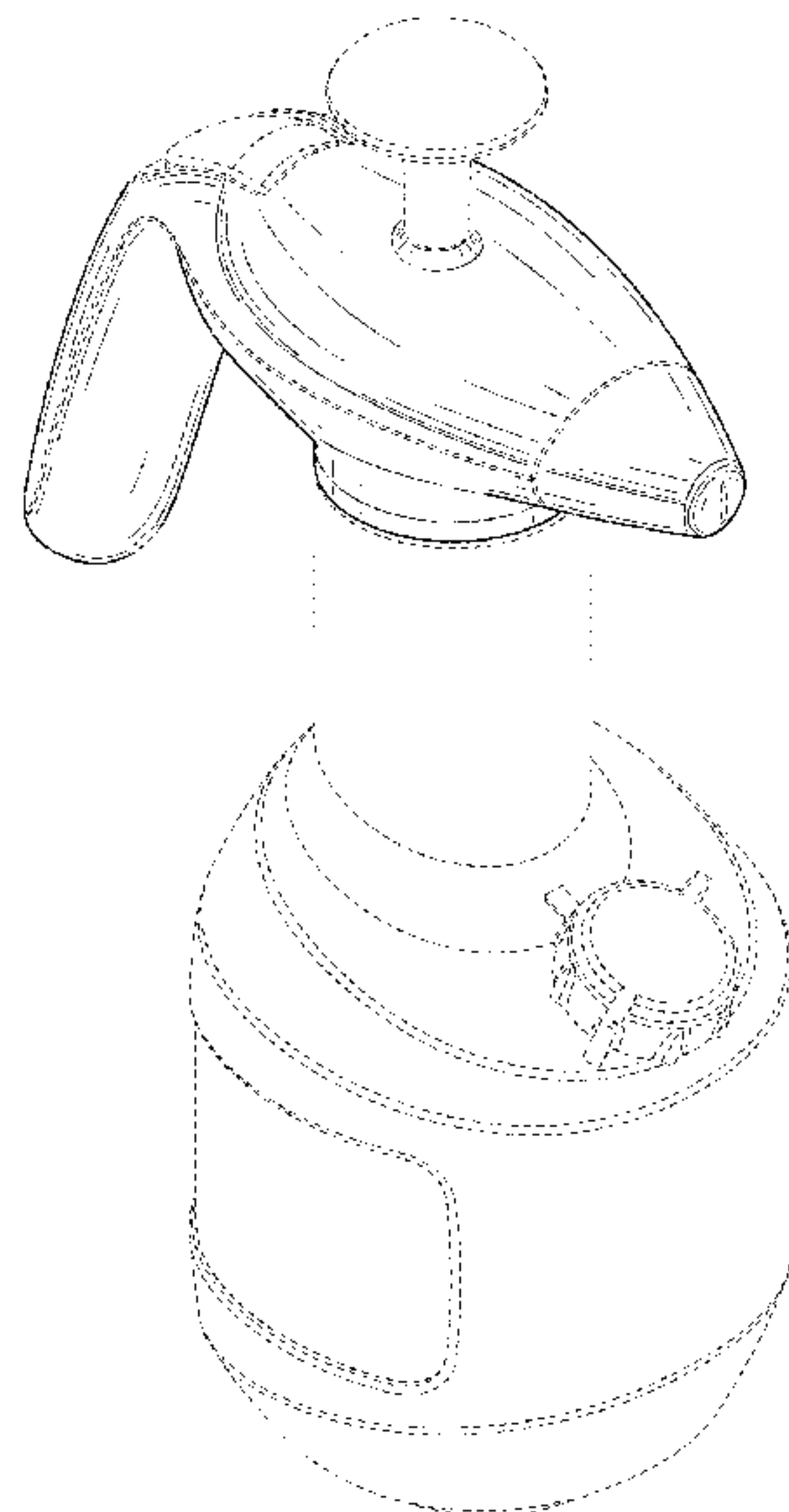
The ornamental design for a sprayer head, as shown and described.

DESCRIPTION

FIG. 1 is a front left side perspective view showing the new design for a sprayer head;
FIG. 2 is a rear right side perspective view thereof;
FIG. 3 is a front elevation view thereof;
FIG. 4 is a rear elevation view thereof;
FIG. 5 is a right side view thereof;
FIG. 6 is a left side view thereof;
FIG. 7 is a top plan view thereof;
FIG. 8 is a bottom plan view thereof;
FIG. 9 is a front left side perspective view thereof taken from underneath the design; and,
FIG. 10 is a rear right side perspective view thereof taken from underneath the design.

The broken line showing of a sprayer head is for the purpose of illustrating portions of the article and the broken line showing of a sprayer is for the purpose of illustrating environmental structure, and form no part of the claimed design.

1 Claim, 10 Drawing Sheets



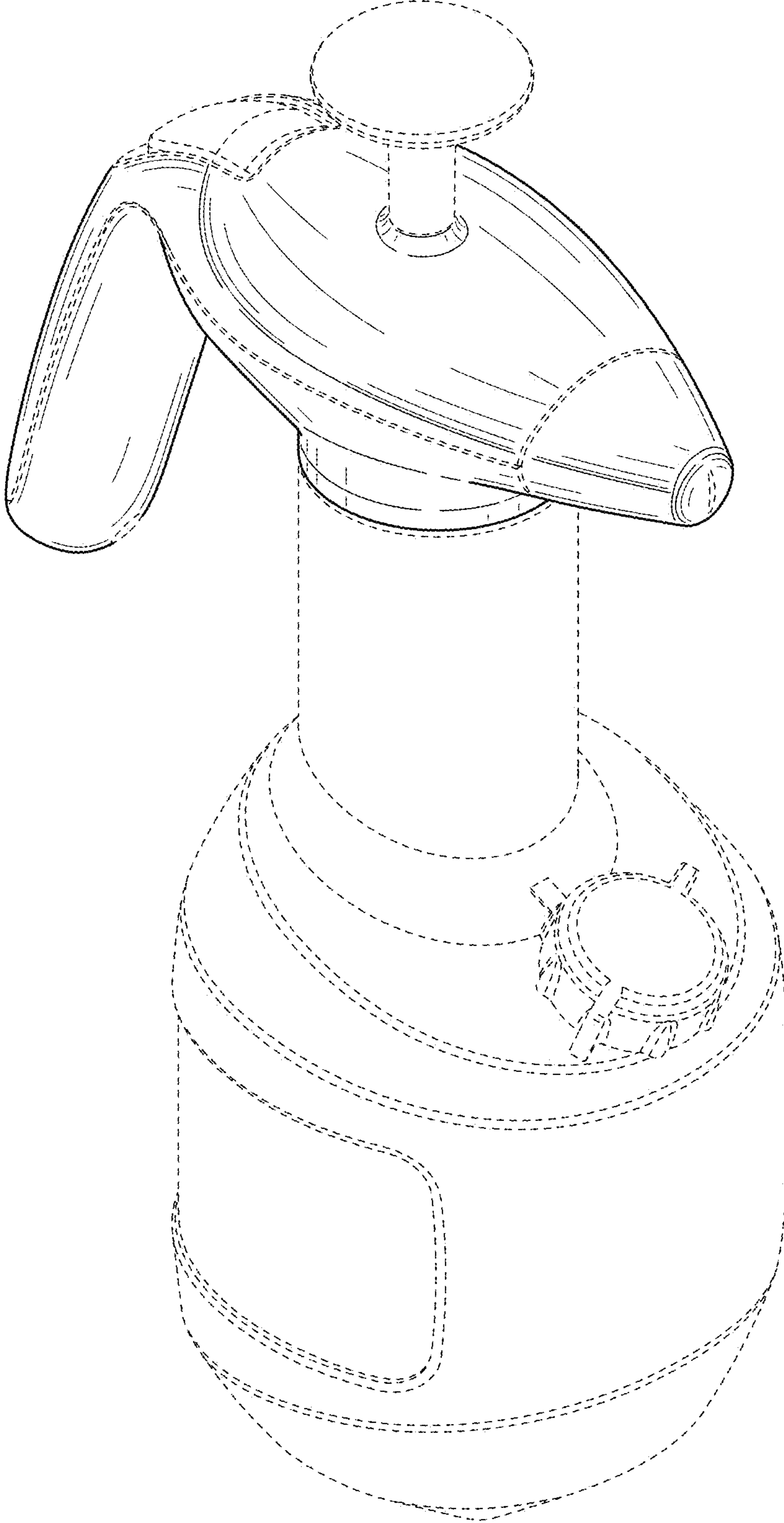


FIG. 1

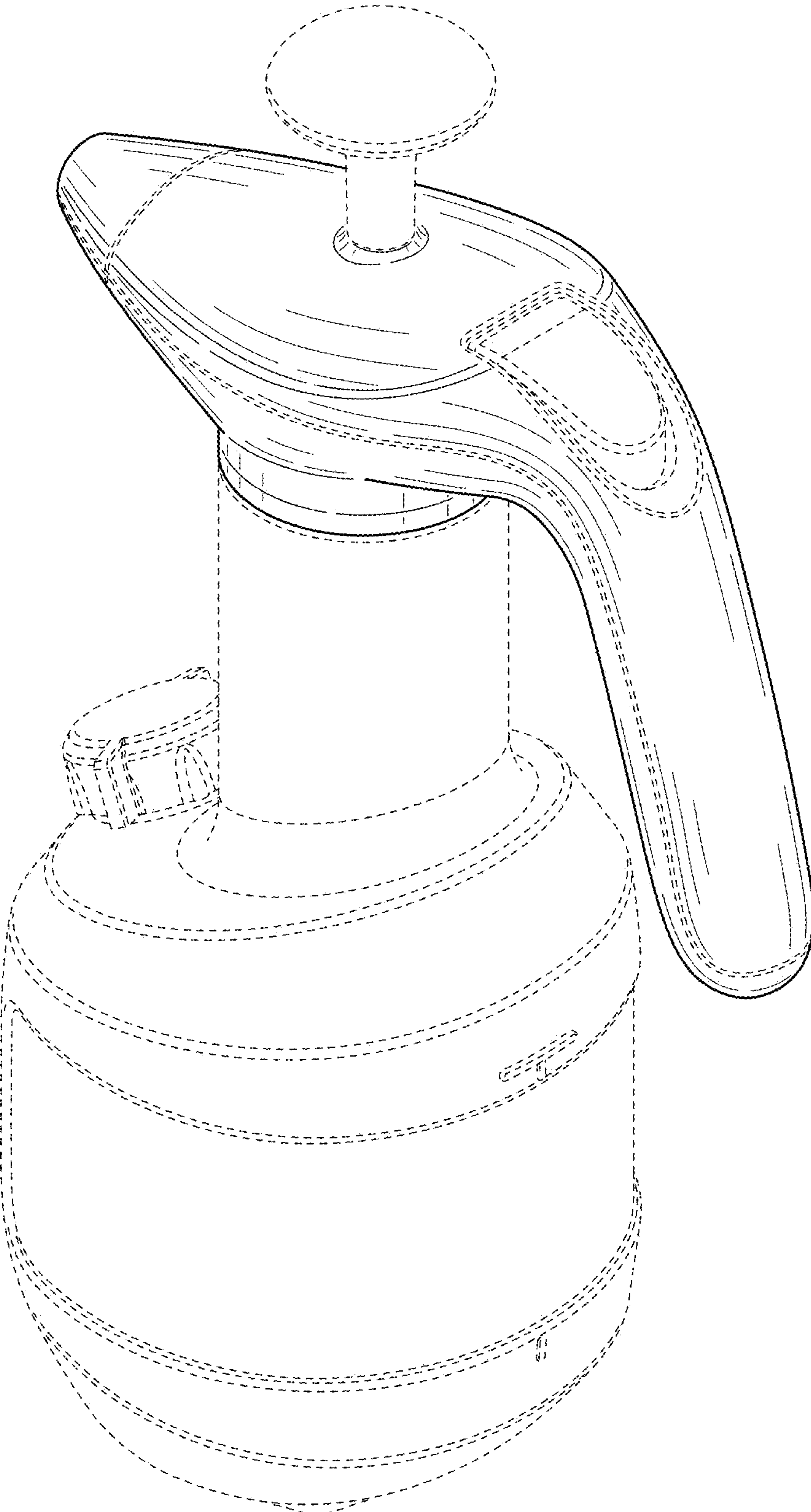


FIG. 2

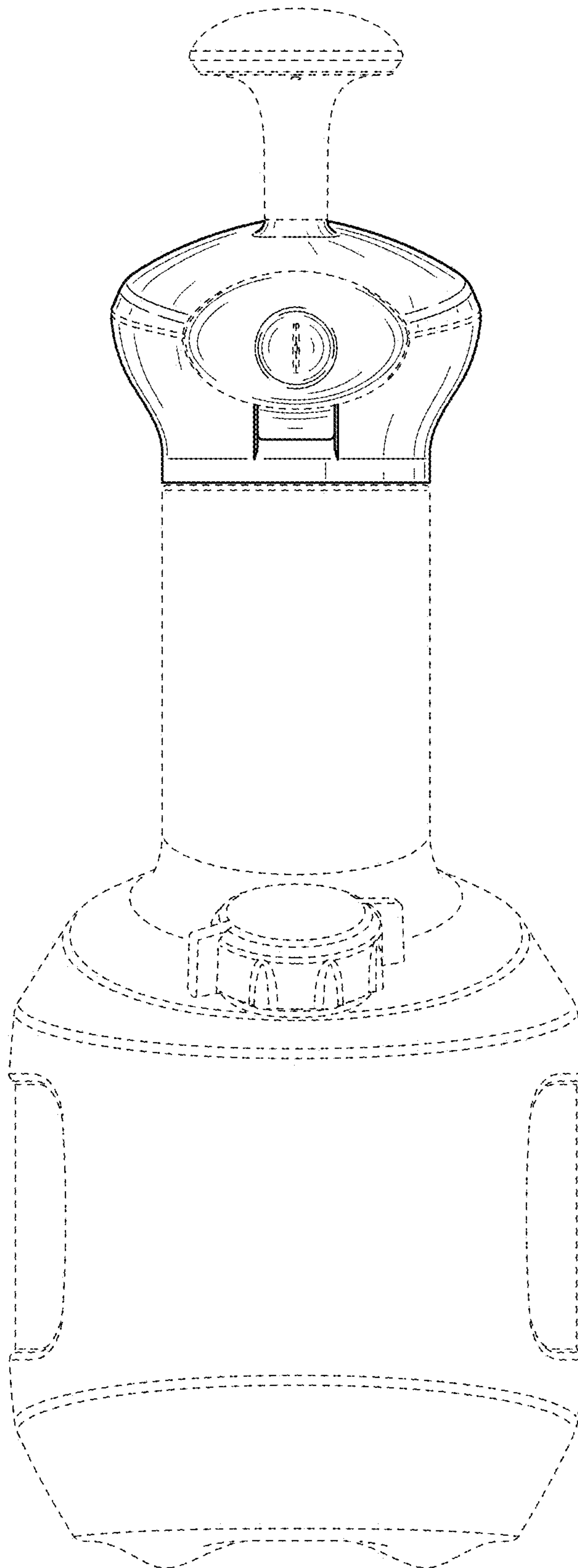


FIG. 3

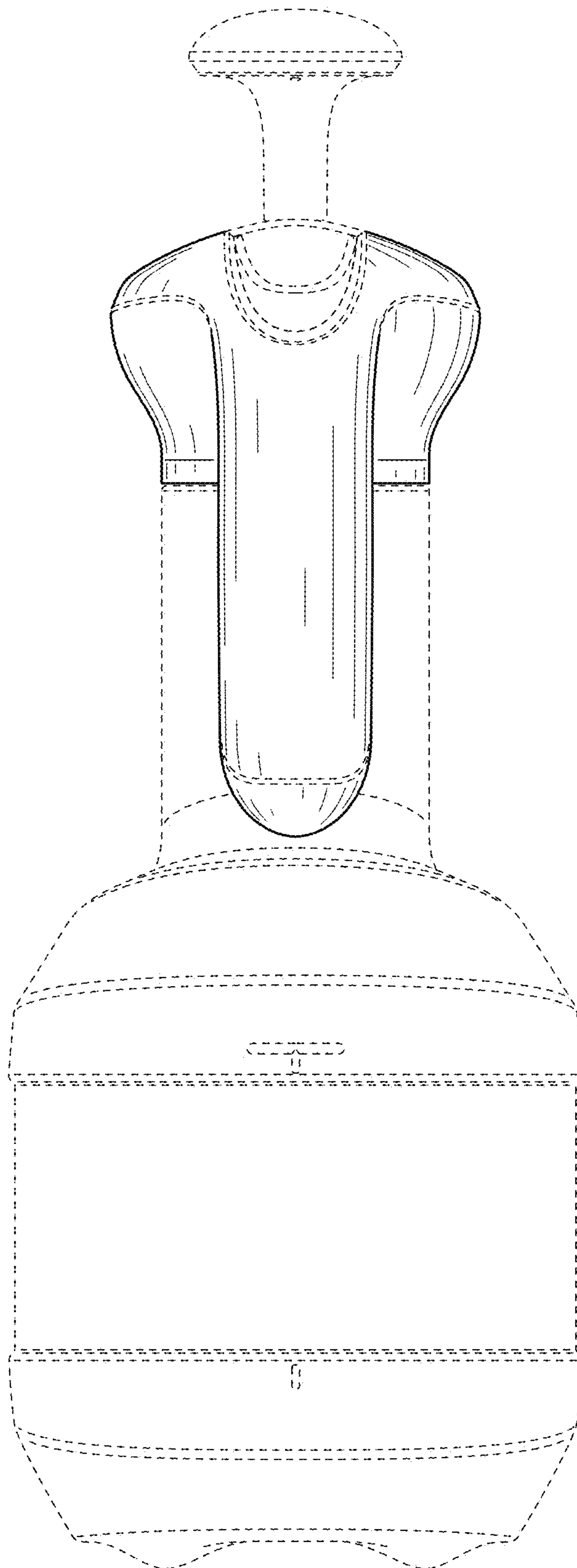


FIG. 4

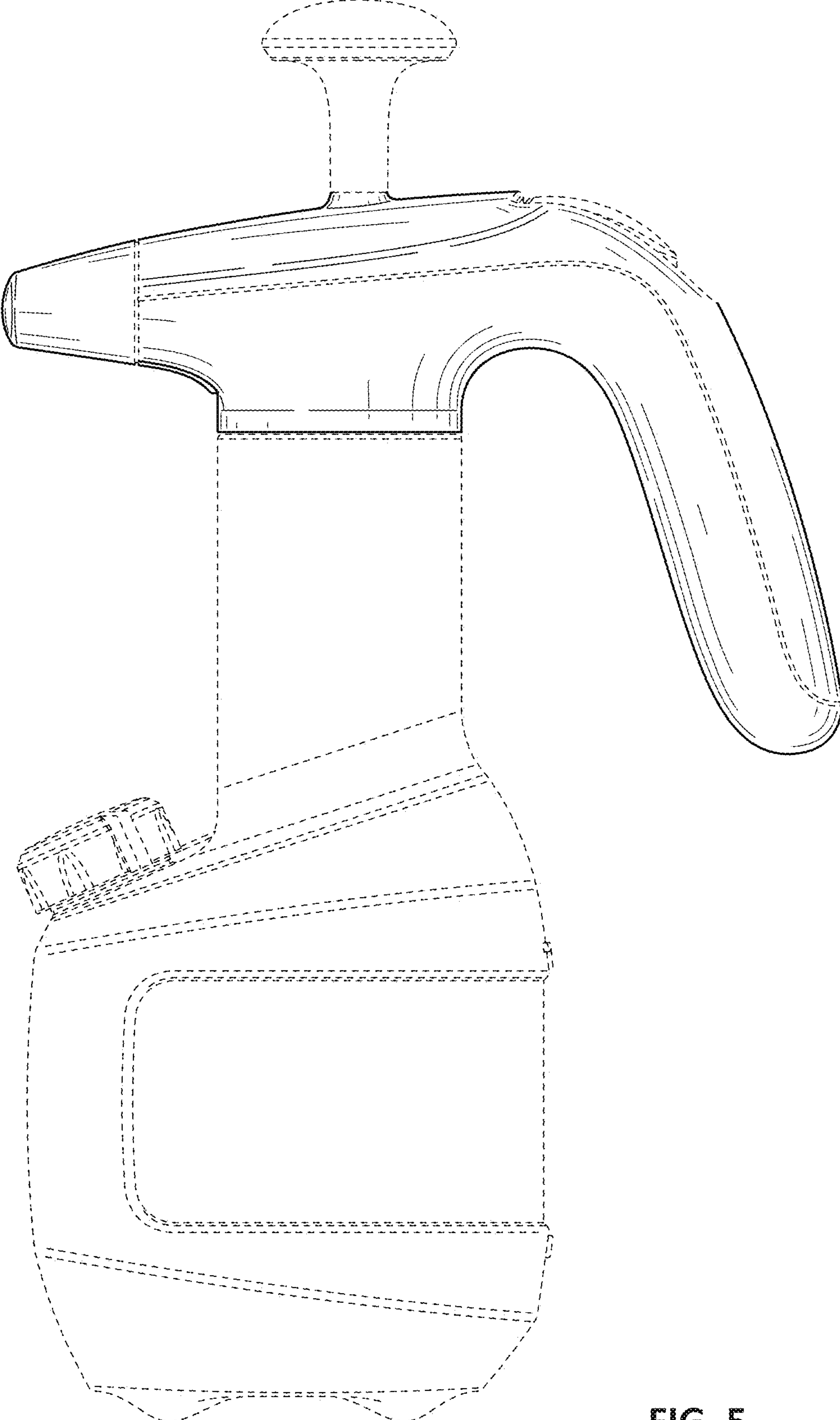


FIG. 5

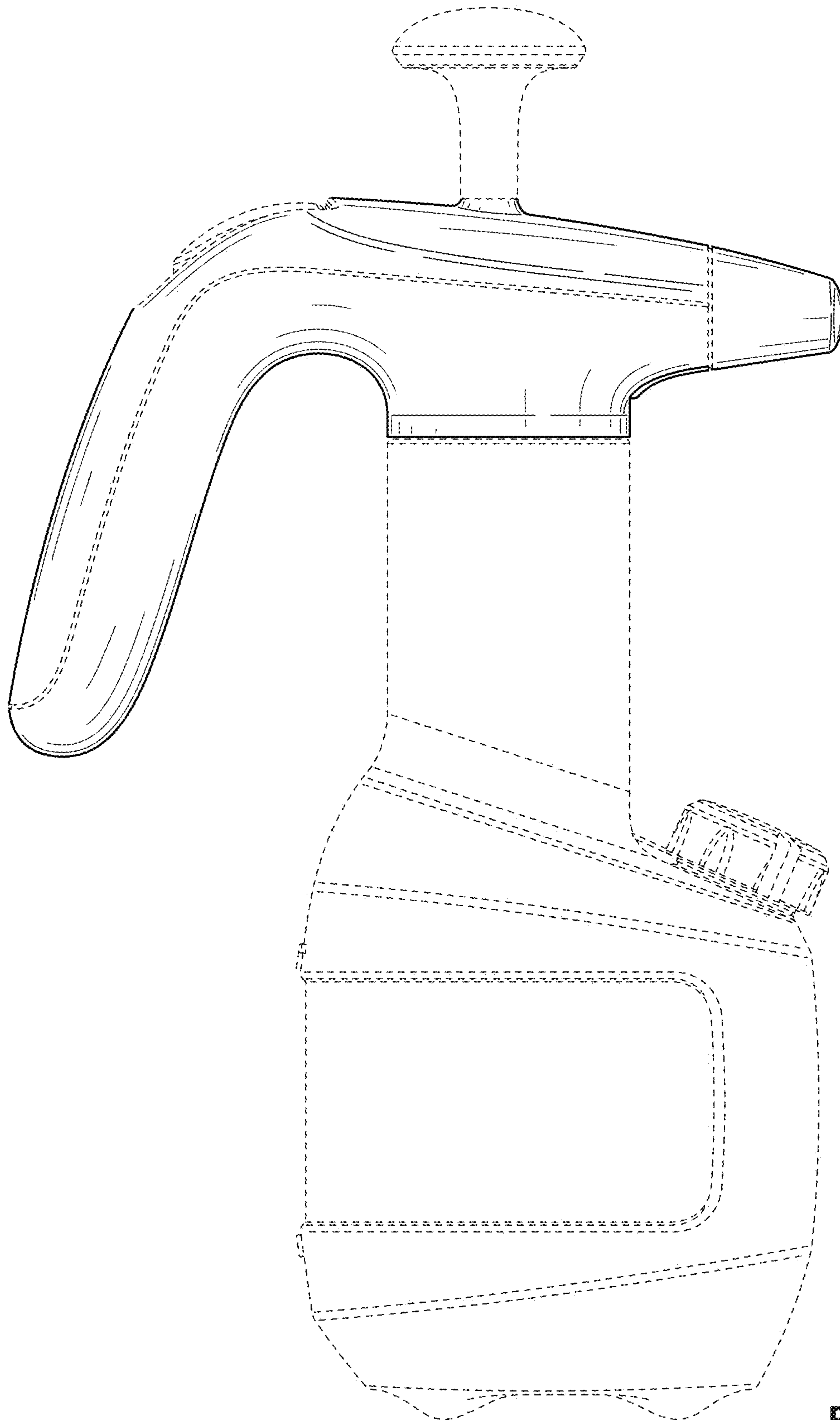


FIG. 6

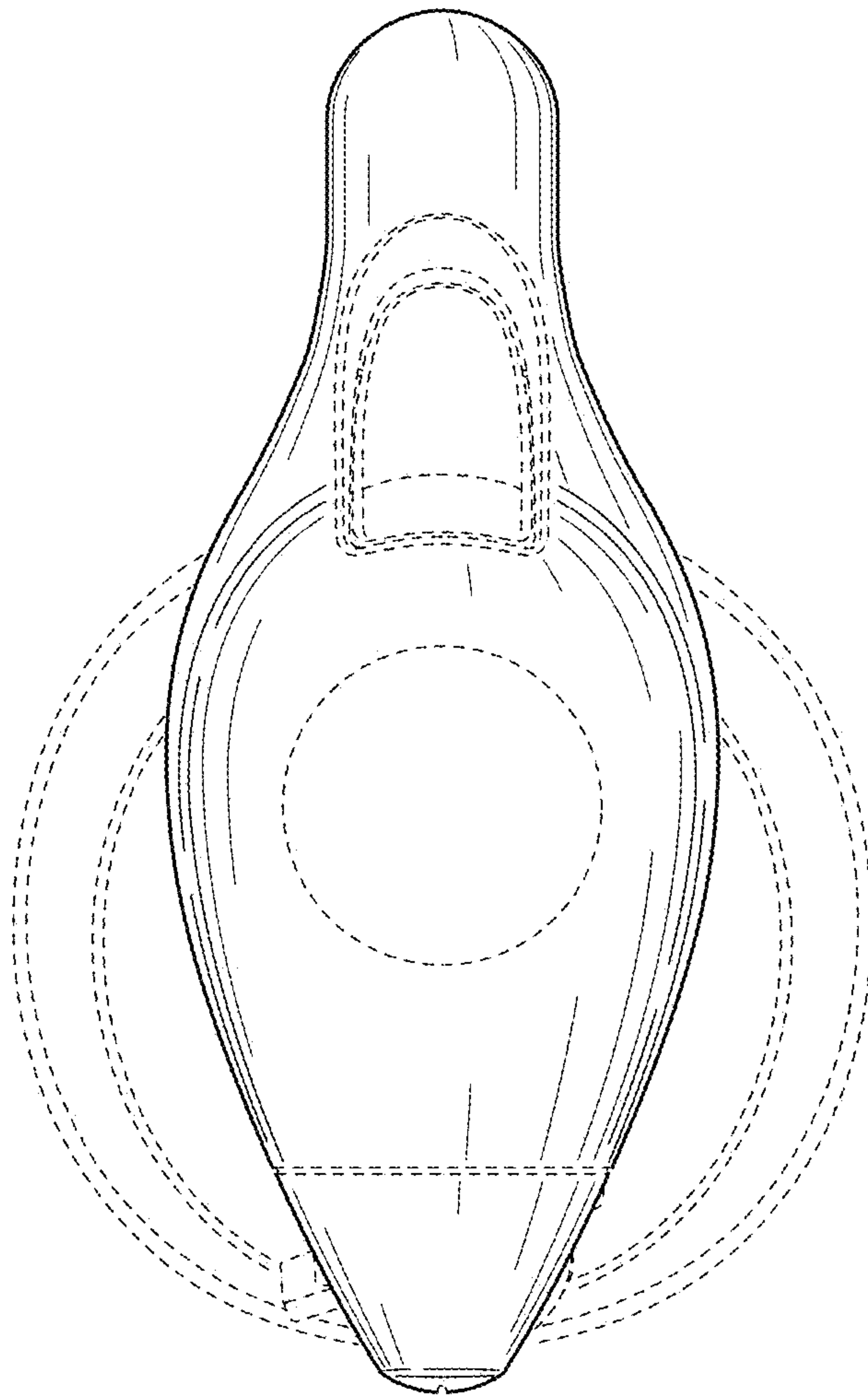


FIG. 7

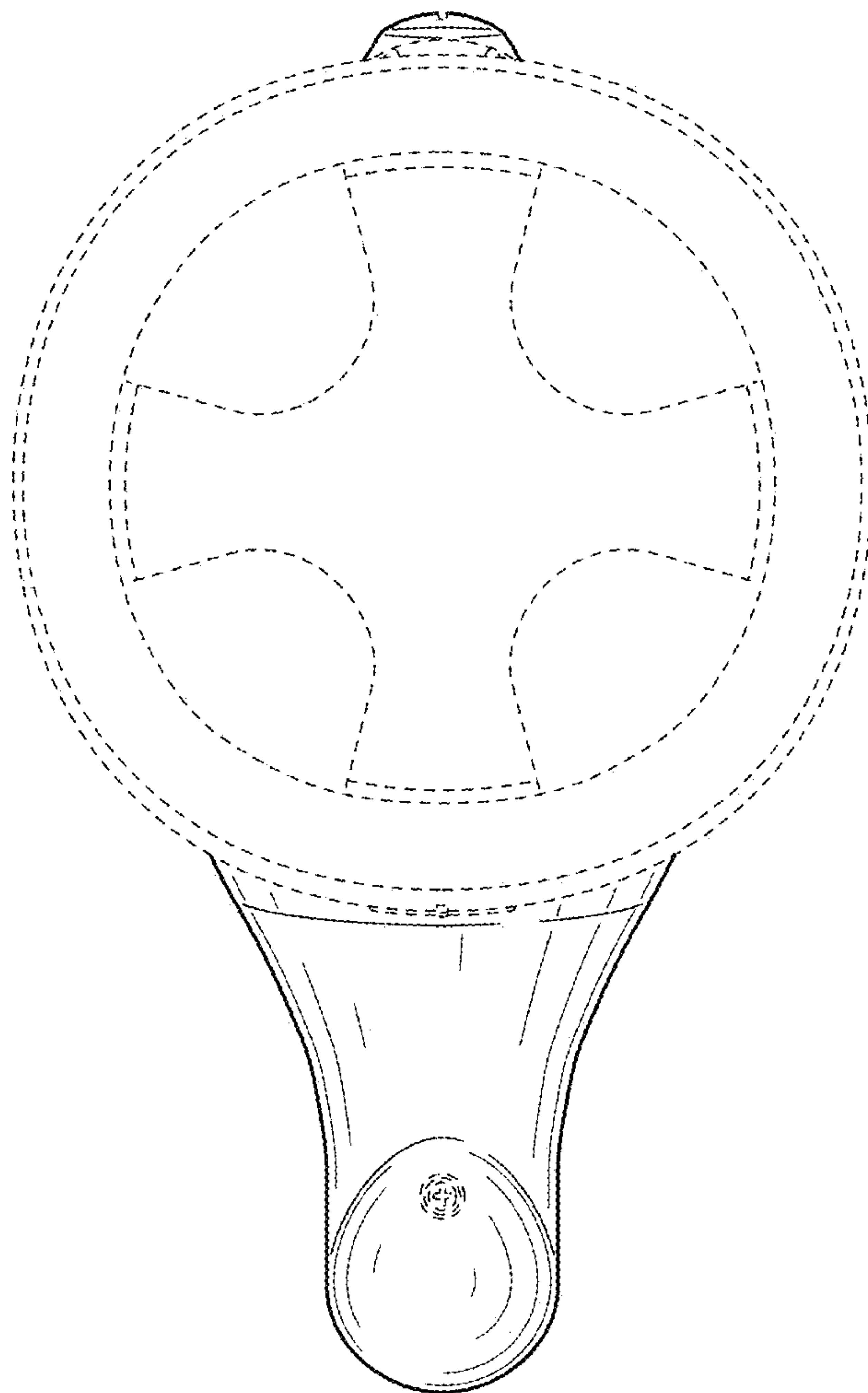


FIG. 8

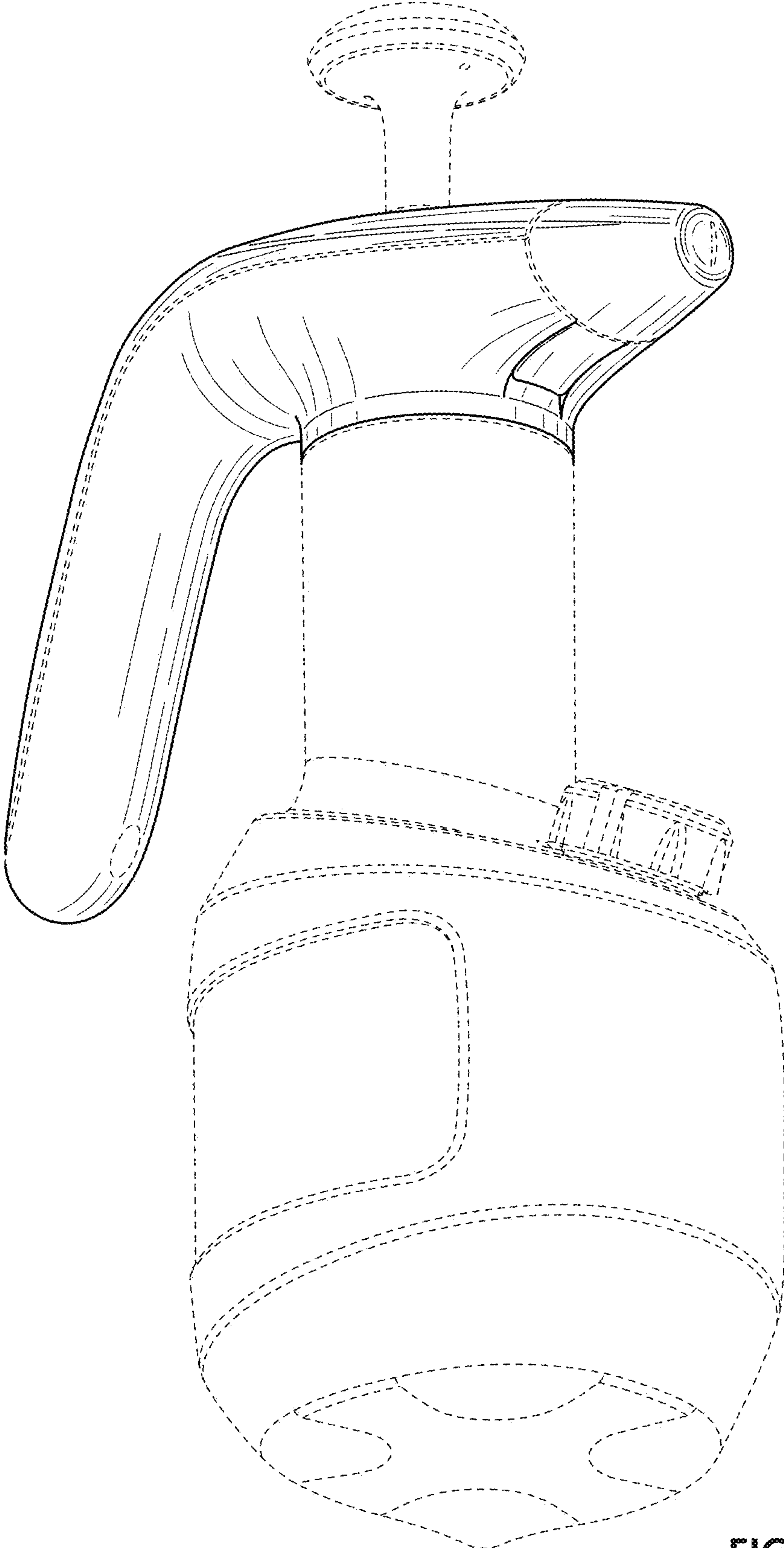


FIG. 9

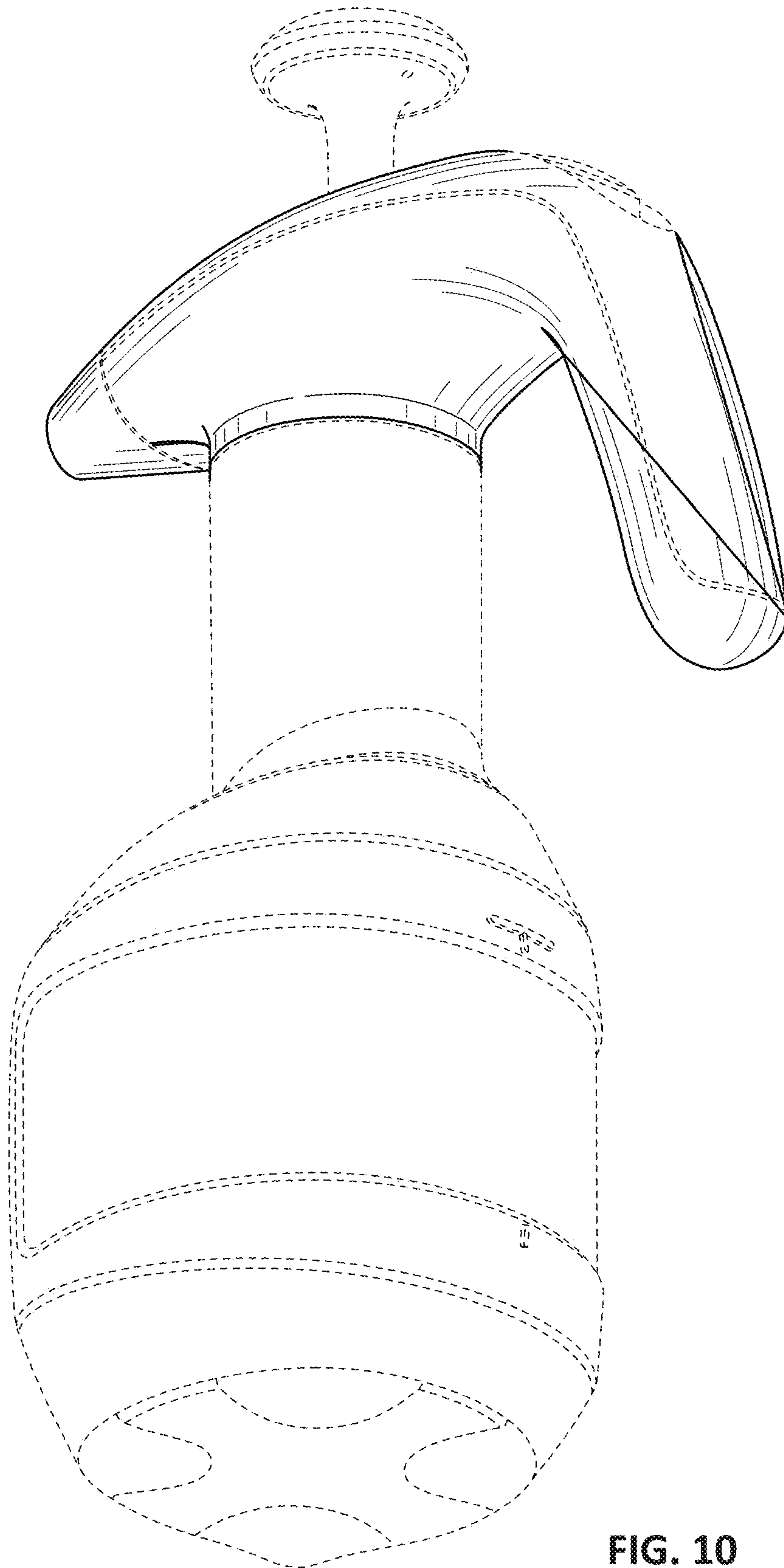


FIG. 10