



US00D944360S

(12) **United States Design Patent**
Stein

(10) **Patent No.:** **US D944,360 S**

(45) **Date of Patent:** **** Feb. 22, 2022**

- (54) **FAUCET STREAM STRAIGHTENER**
- (71) Applicant: **Neoperl GmbH**, Mullheim (DE)
- (72) Inventor: **Alexander Stein**, Ihringen (DE)
- (73) Assignee: **Neoperl GmbH**, Müllheim (DE)
- (**) Term: **15 Years**

7,374,366 B2	5/2008	Tasi	
D612,911 S *	3/2010	Grether	D23/249
7,677,473 B2 *	3/2010	Kao	E03C 1/084
			239/428.5
D641,071 S *	7/2011	Grether	D23/249
D641,839 S *	7/2011	Grether	D23/249
D684,241 S	6/2013	Tempel	
D691,238 S	10/2013	Grether	
9,016,602 B2	4/2015	Grether	

(Continued)

- (21) Appl. No.: **29/673,473**
- (22) Filed: **Dec. 14, 2018**

Related U.S. Application Data

- (62) Division of application No. 29/601,338, filed on Apr. 21, 2017, now Pat. No. Des. 840,503, which is a division of application No. 29/533,077, filed on Jul. 14, 2015, now Pat. No. Des. 788,264.

(30) **Foreign Application Priority Data**

Mar. 3, 2015 (WO) DM/086 383

- (51) **LOC (13) Cl.** **23-01**
- (52) **U.S. Cl.**
USPC **D23/209**

(58) **Field of Classification Search**

USPC D23/207, 213, 214, 215, 223, 224, 225,
D23/226, 229, 230, 249, 209
CPC A61H 9/0021; A61H 33/00; B05B 1/00;
B05B 1/14; B05B 1/185; B05B 1/08;
B05B 1/02; B05B 1/26; B05B 12/002;
B05B 1/18; B05B 9/01

See application file for complete search history.

(56) **References Cited**

U.S. PATENT DOCUMENTS

6,126,093 A *	10/2000	Grether	E03C 1/084
			239/428.5
6,892,964 B2 *	5/2005	Grether	E03C 1/08
			239/428.5

OTHER PUBLICATIONS

Neoperl 13 0270 5 Low Flow PCA Cache Replacement Faucet Aerator, Jan. 15, 2021, amazon.com, Oct. 4, 2021, URL: <https://www.amazon.com/Neoperl-Replacement-Aerator-Aerators-Removal/dp/B08T5XXXZ7> (Year: 2021).*

(Continued)

Primary Examiner — Jack Reickel

Assistant Examiner — Keith J Wilson

(74) *Attorney, Agent, or Firm* — Volpe Koenig

(57) **CLAIM**

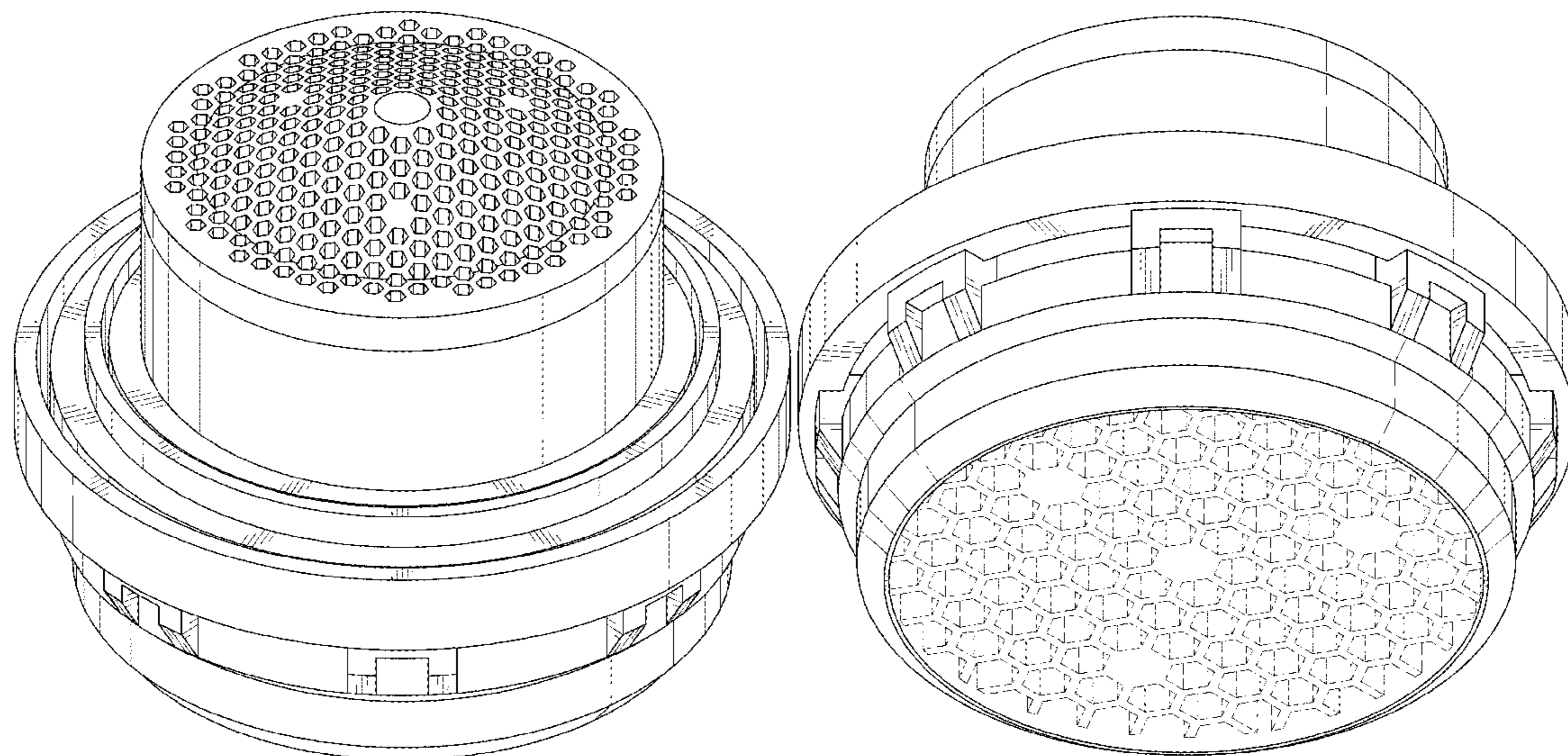
I claim the ornamental design for a faucet stream straightener, as shown and described.

DESCRIPTION

FIG. 1 is a top plan view of a faucet straightener in accordance with my design;
 FIG. 2 is a top, front, left, perspective view thereof;
 FIG. 3 is a bottom plan view thereof;
 FIG. 4 is a bottom, right, rear perspective view thereof;
 FIG. 5 is a front elevational view thereof;
 FIG. 6 is a right side elevational view thereof;
 FIG. 7 is a left side elevational view thereof; and,
 FIG. 8 is a rear elevational view thereof.

The broken lines shown represent unclaimed portions of the faucet stream straightener that form no part of the claimed design.

1 Claim, 8 Drawing Sheets



(56)

References Cited

U.S. PATENT DOCUMENTS

D728,739	S	5/2015	Blum	
D728,740	S	5/2015	Tempel	
9,114,414	B2	8/2015	Stein et al.	
9,249,564	B2	2/2016	Zoller et al.	
D752,710	S	3/2016	Tempel	
D754,282	S	4/2016	Blum	
9,416,522	B2	8/2016	Tempel	
D911,488	S *	2/2021	Spater D23/213
D912,204	S *	3/2021	Kim D23/213
10,953,416	B2 *	3/2021	Tan B05B 7/0425
D918,336	S *	5/2021	Ohashi B01D 35/30
				D23/209
D921,835	S *	6/2021	Miles D23/209
D921,836	S *	6/2021	Miles D23/209
D924,354	S *	7/2021	Huang D23/209
2007/0196177	A1 *	8/2007	Tasi E03C 1/084
				405/79
2011/0006132	A1 *	1/2011	Grether E03C 1/084
				239/428.5
2011/0266369	A1 *	11/2011	Grether E03C 1/084
				239/428.5
2016/0273199	A1 *	9/2016	Blum E03C 1/08

OTHER PUBLICATIONS

12 Pieces Faucet Aerators Water Tap Aerators Faucet Flow Restrictor Replacement, Feb. 17, 2020, amazon.com, Oct. 4, 2021, URL: <https://www.amazon.com/Aerators-Restrictor-Replacement-Aerator-Bathroom/dp/B084WZP72X> (Year: 2020).*

* cited by examiner

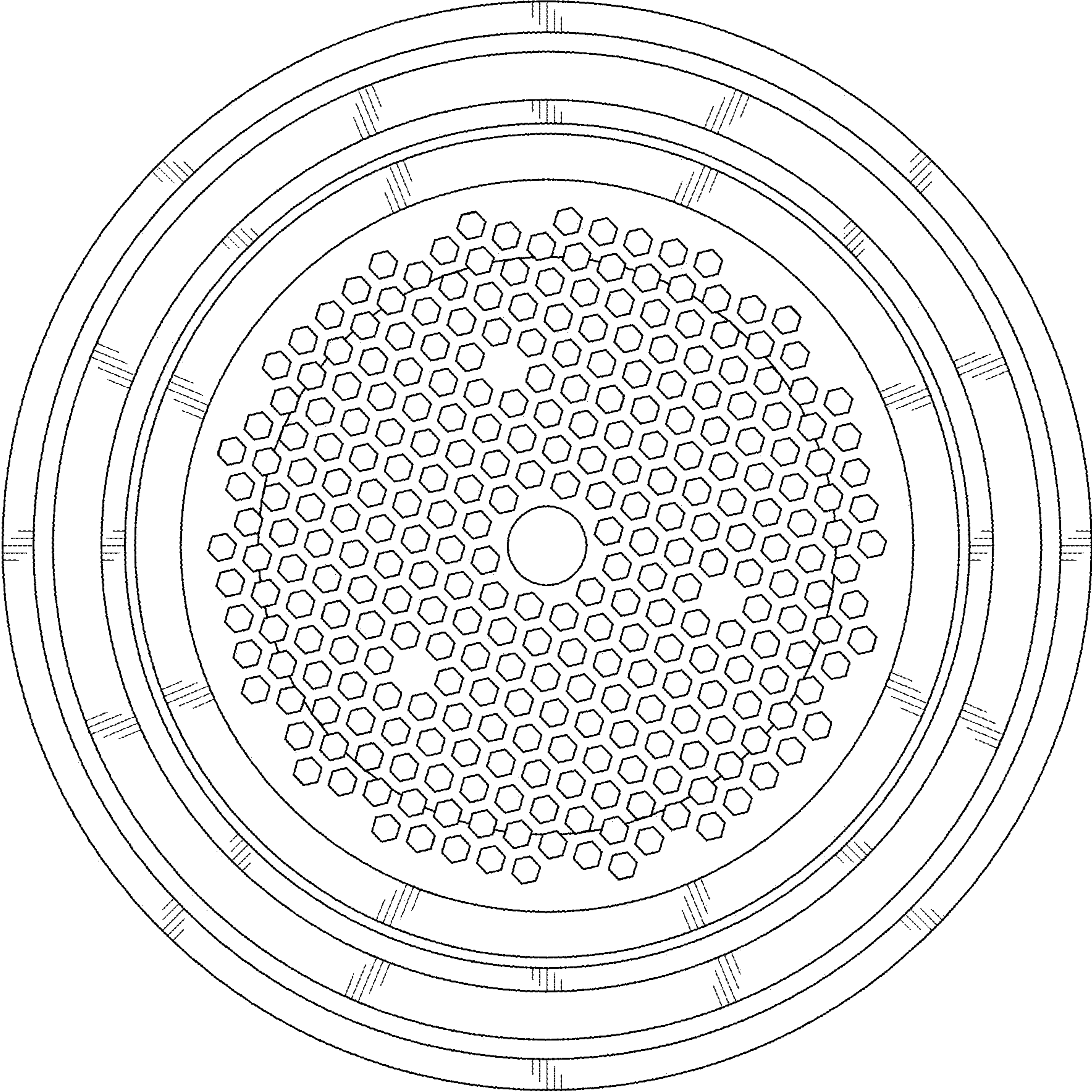


Fig. 1

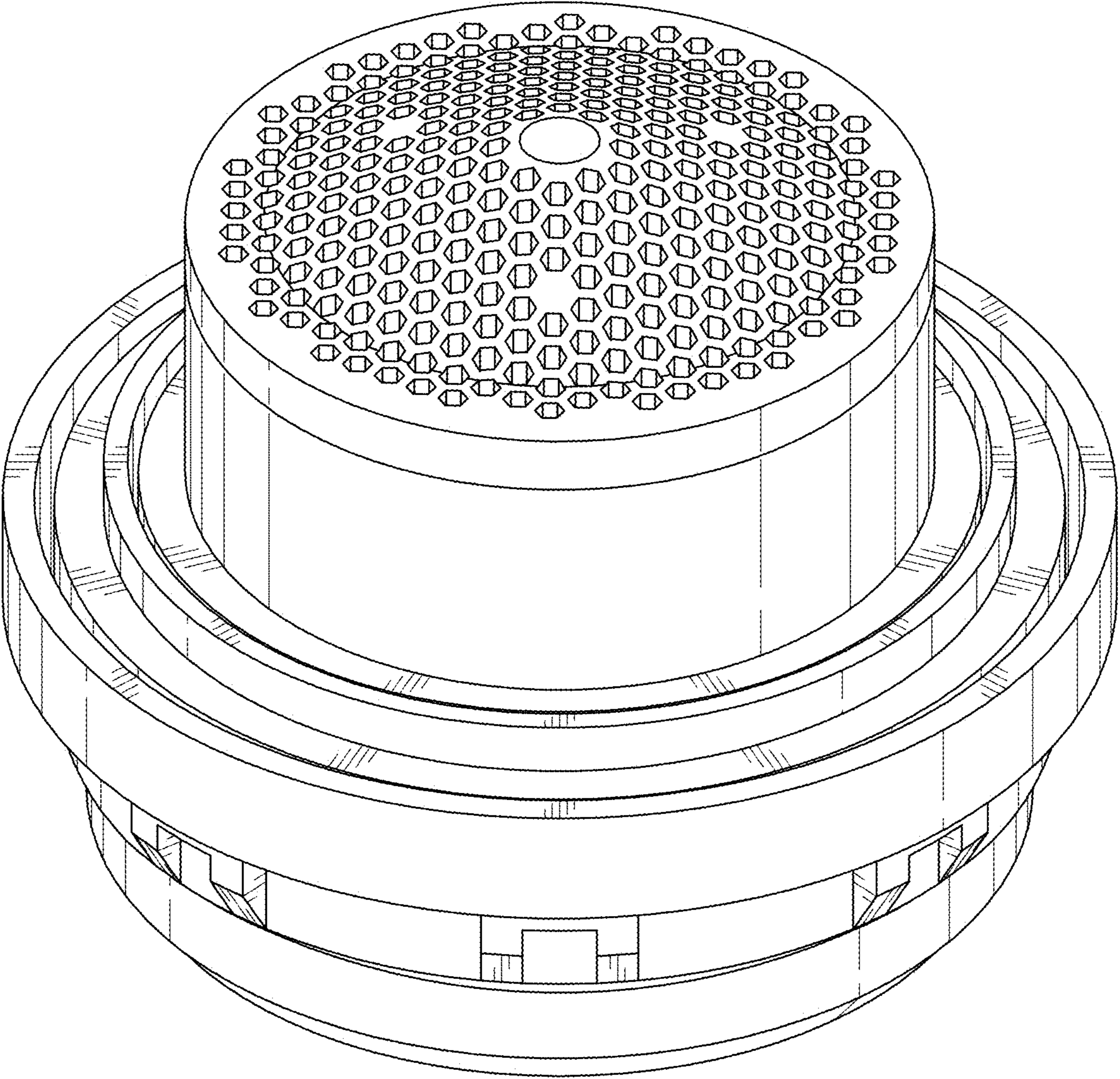


Fig. 2

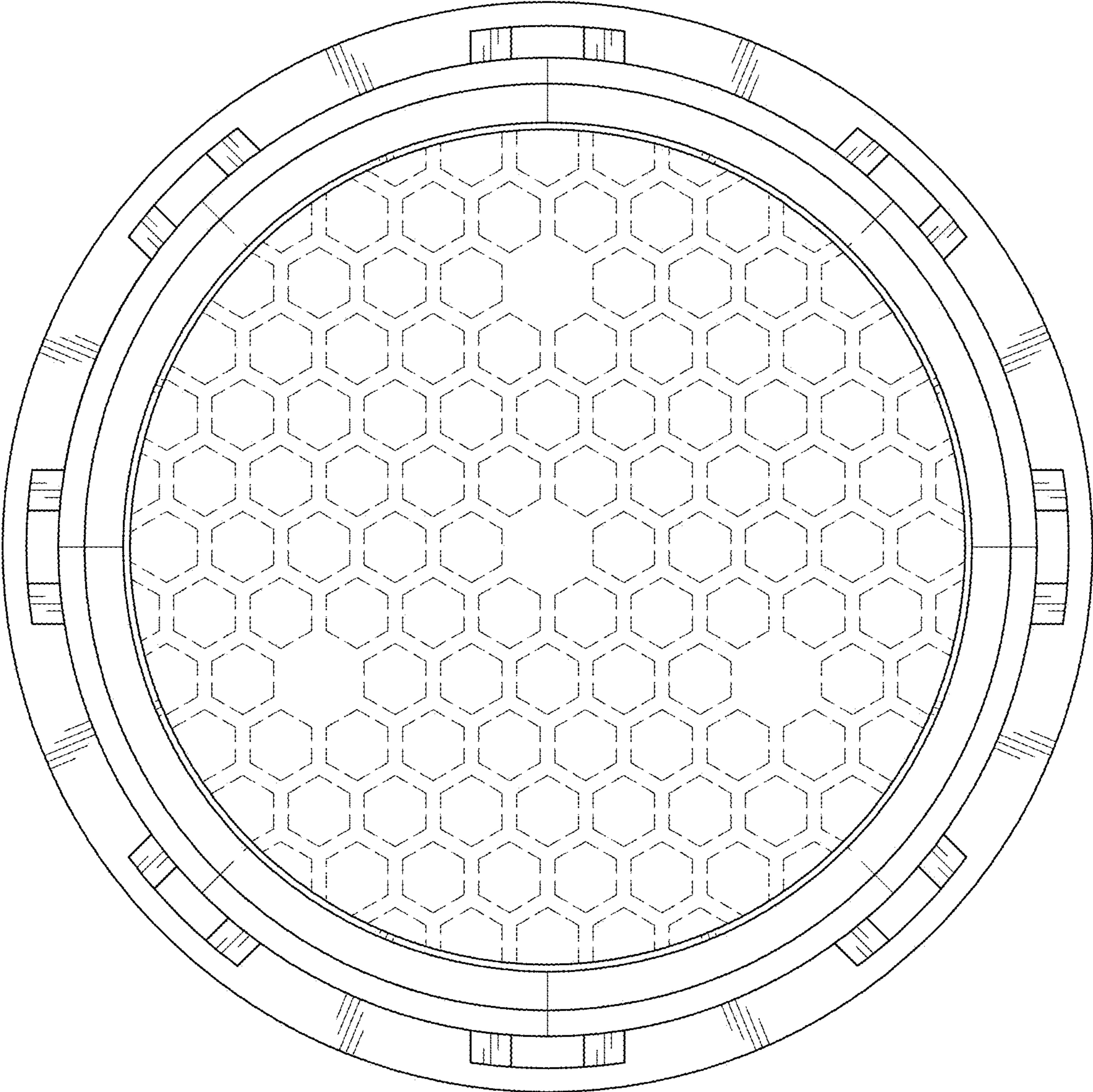


Fig. 3

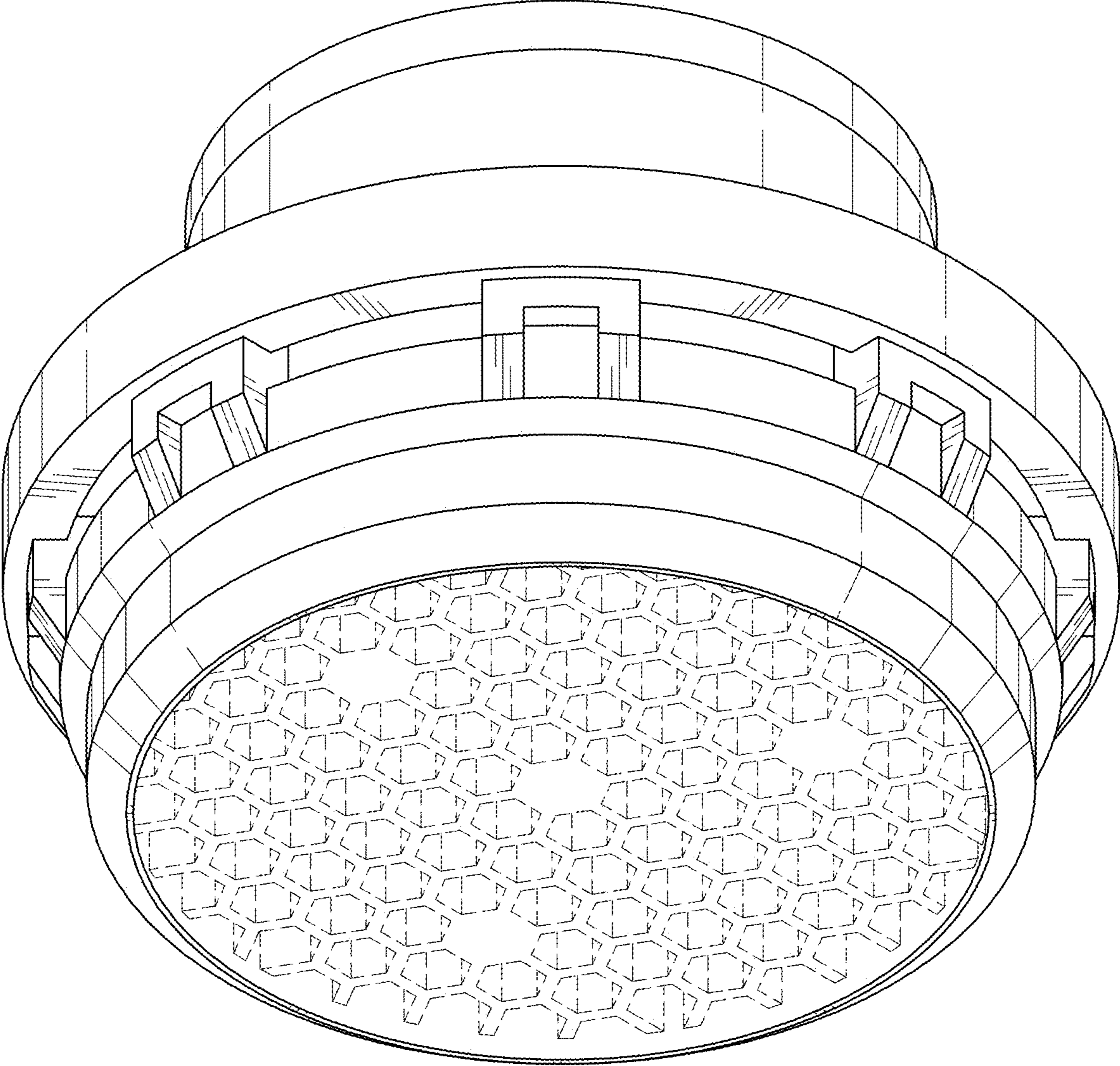


Fig. 4

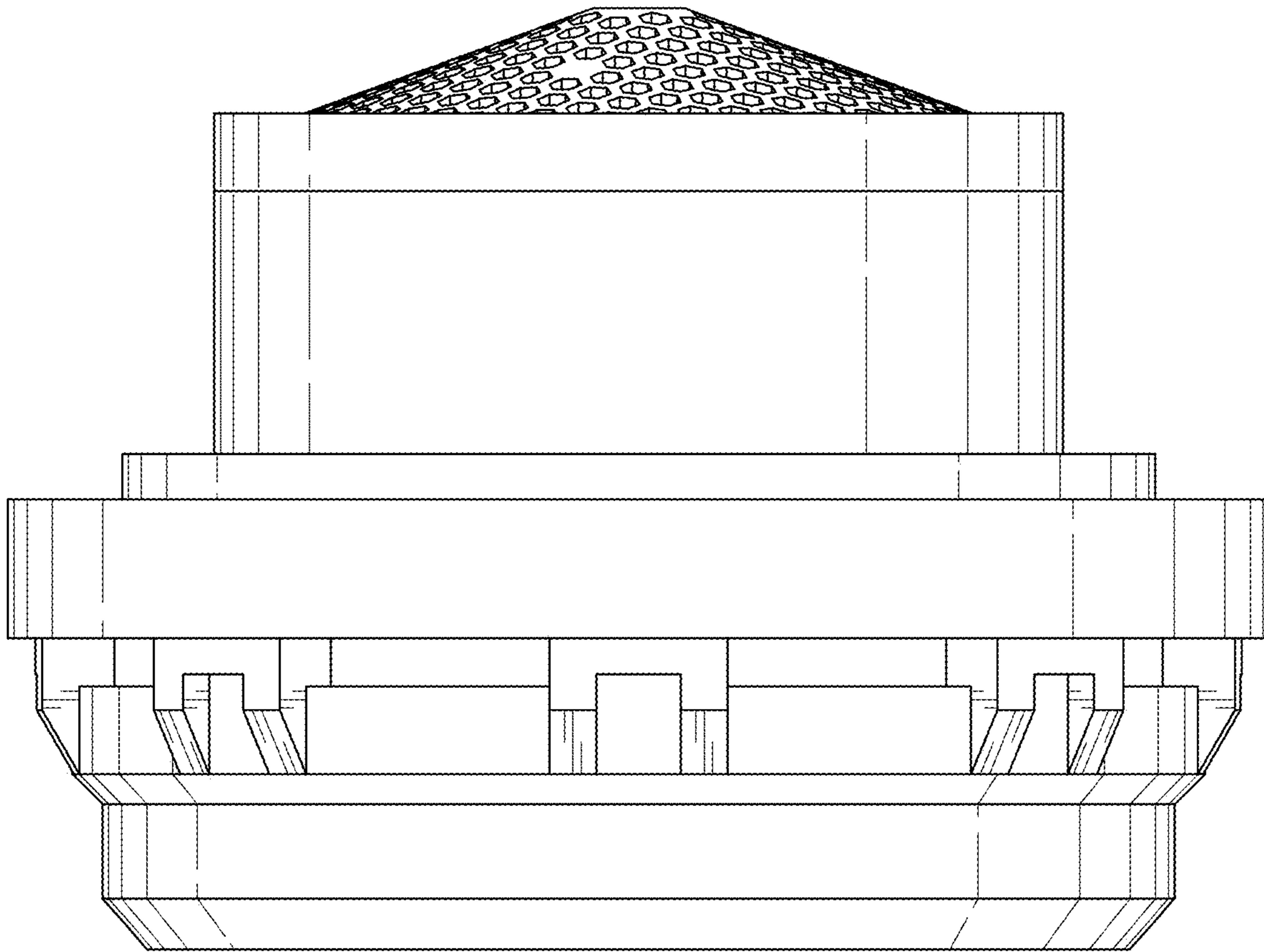


Fig. 5

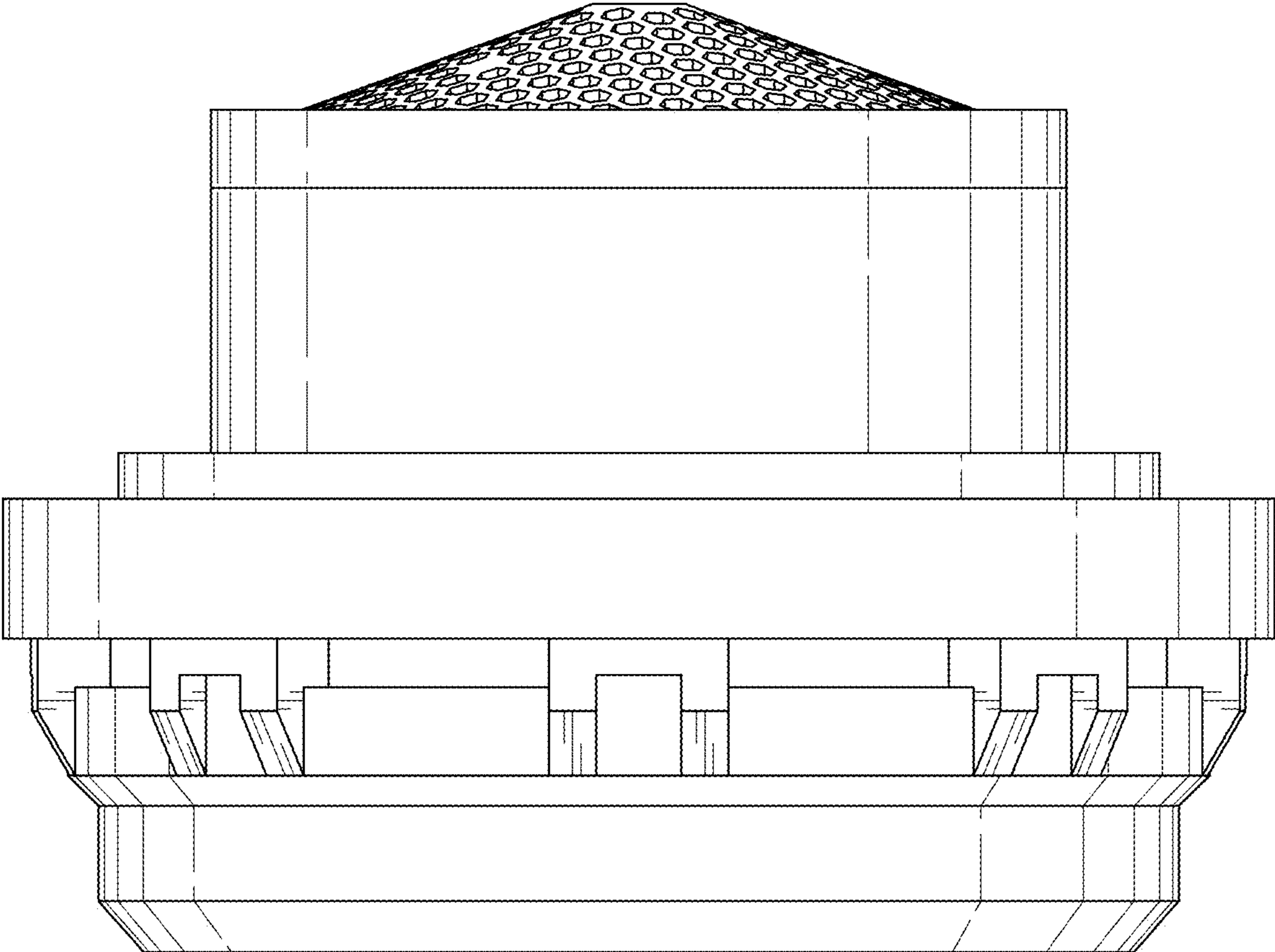


Fig. 6

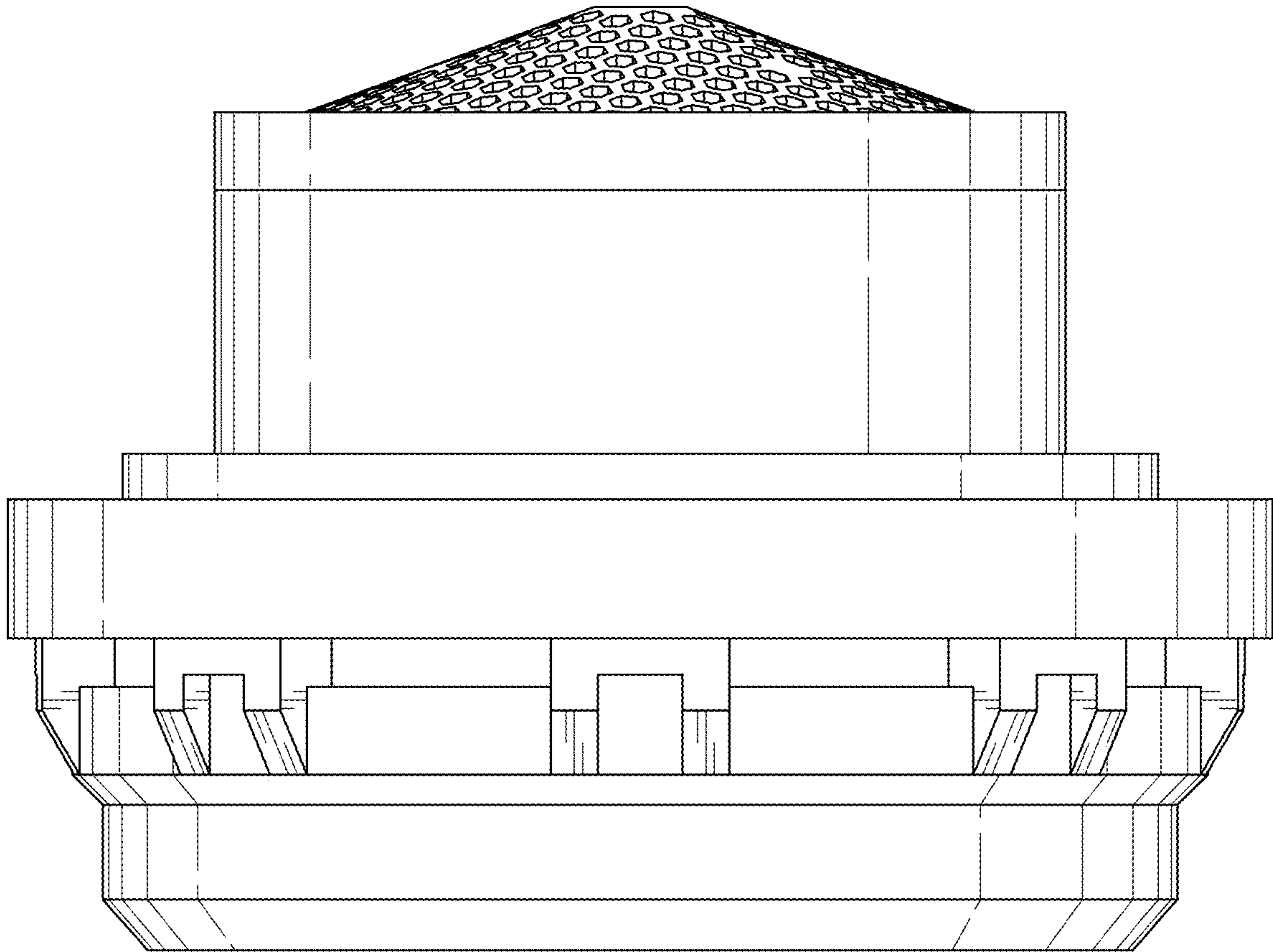


Fig. 7

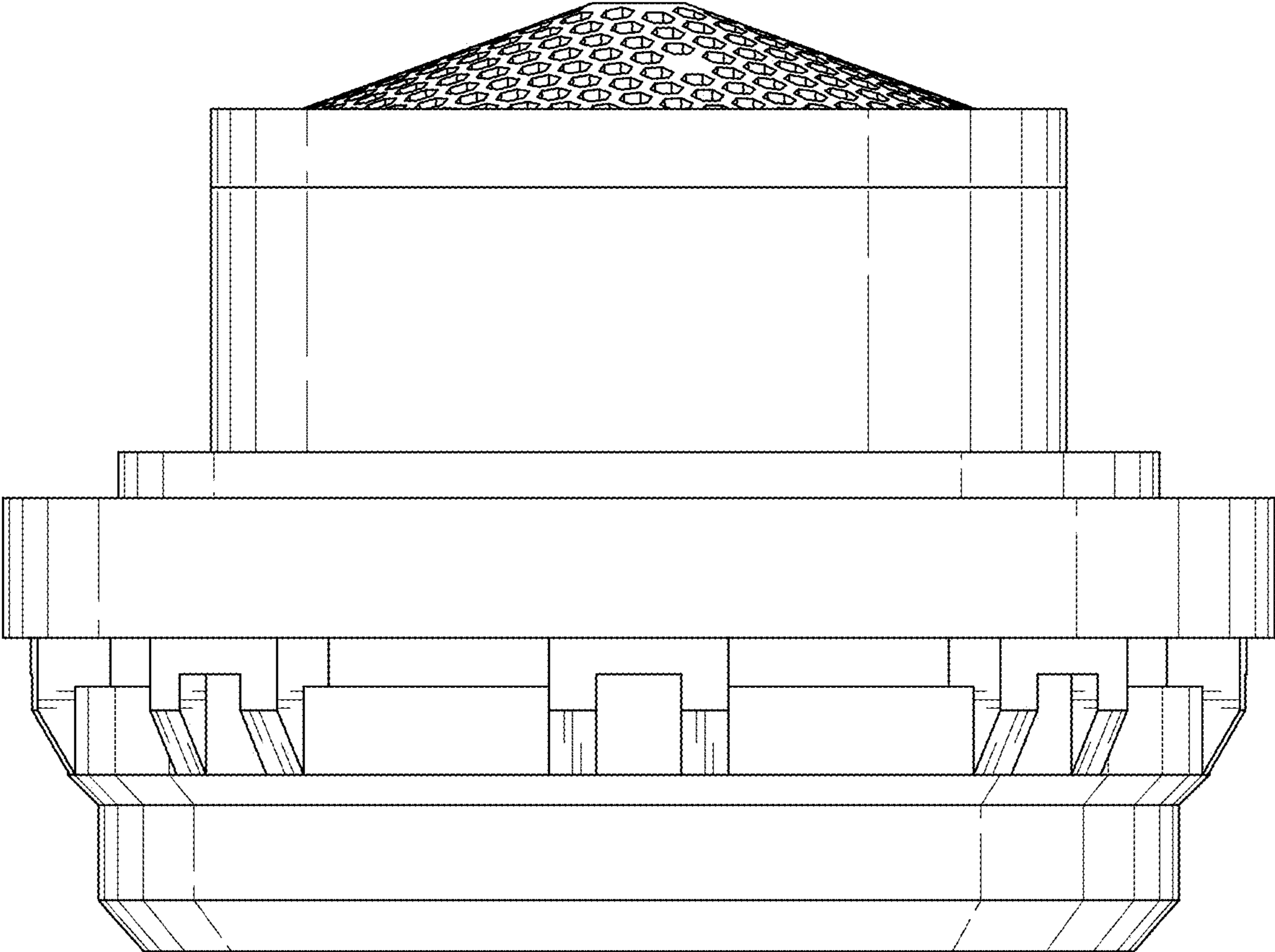


Fig. 8