

US00D944356S

(12) **United States Design Patent**
Suzuki

(10) **Patent No.:** **US D944,356 S**
(45) **Date of Patent:** **** Feb. 22, 2022**

(54) **FISHING REEL PORTION**

(71) Applicant: **Shimano Inc.**, Osaka (JP)

(72) Inventor: **Miho Suzuki**, Osaka (JP)

(73) Assignee: **Shimano Inc.**, Osaka (JP)

(**) Term: **15 Years**

(21) Appl. No.: **29/734,888**

(22) Filed: **May 15, 2020**

(30) **Foreign Application Priority Data**

Dec. 24, 2019 (JP) 2019-028660

(51) **LOC (13) Cl.** **22-05**

(52) **U.S. Cl.**
USPC **D22/140**

(58) **Field of Classification Search**
USPC D22/140-141

(Continued)

(56) **References Cited**

U.S. PATENT DOCUMENTS

D299,511 S * 1/1989 Kameda D22/140
D324,716 S 3/1992 Koshikawa

(Continued)

Primary Examiner — Catherine R Oliver-Garcia

(74) *Attorney, Agent, or Firm* — Global IP Counselors,
LLP

(57) **CLAIM**

An ornamental design for a fishing reel portion, as shown and described.

DESCRIPTION

FIG. 1 is a first perspective view of a fishing reel that includes a fishing reel portion in accordance with my new design;

FIG. 2 is a second perspective of the fishing reel illustrated in FIG. 1 that includes the fishing reel portion;

FIG. 3 is a first end elevational view of the fishing reel illustrated in FIG. 1 that includes the fishing reel portion;

FIG. 4 is a second end elevational view of the fishing reel illustrated in FIG. 1 that includes the fishing reel portion;

FIG. 5 is a top plan view of the fishing reel illustrated in FIG. 1 that includes the fishing reel portion;

FIG. 6 is a bottom plan view of the fishing reel illustrated in FIG. 1 that includes the fishing reel portion but in which the fishing reel portion is completely hidden from sight;

FIG. 7 is a first side elevational view of the fishing reel illustrated in FIG. 1 that includes the fishing reel portion;

FIG. 8 is a second side view of the fishing reel illustrated in FIG. 1 that includes the fishing reel portion but in which the fishing reel portion is completely hidden from sight;

FIG. 9 is an enlarged, perspective view of a section of the fishing reel illustrated in FIG. 1 that includes the fishing reel portion;

FIG. 10 is an enlarged, top plan view of a section of the fishing reel illustrated in FIG. 1 that includes the fishing reel portion;

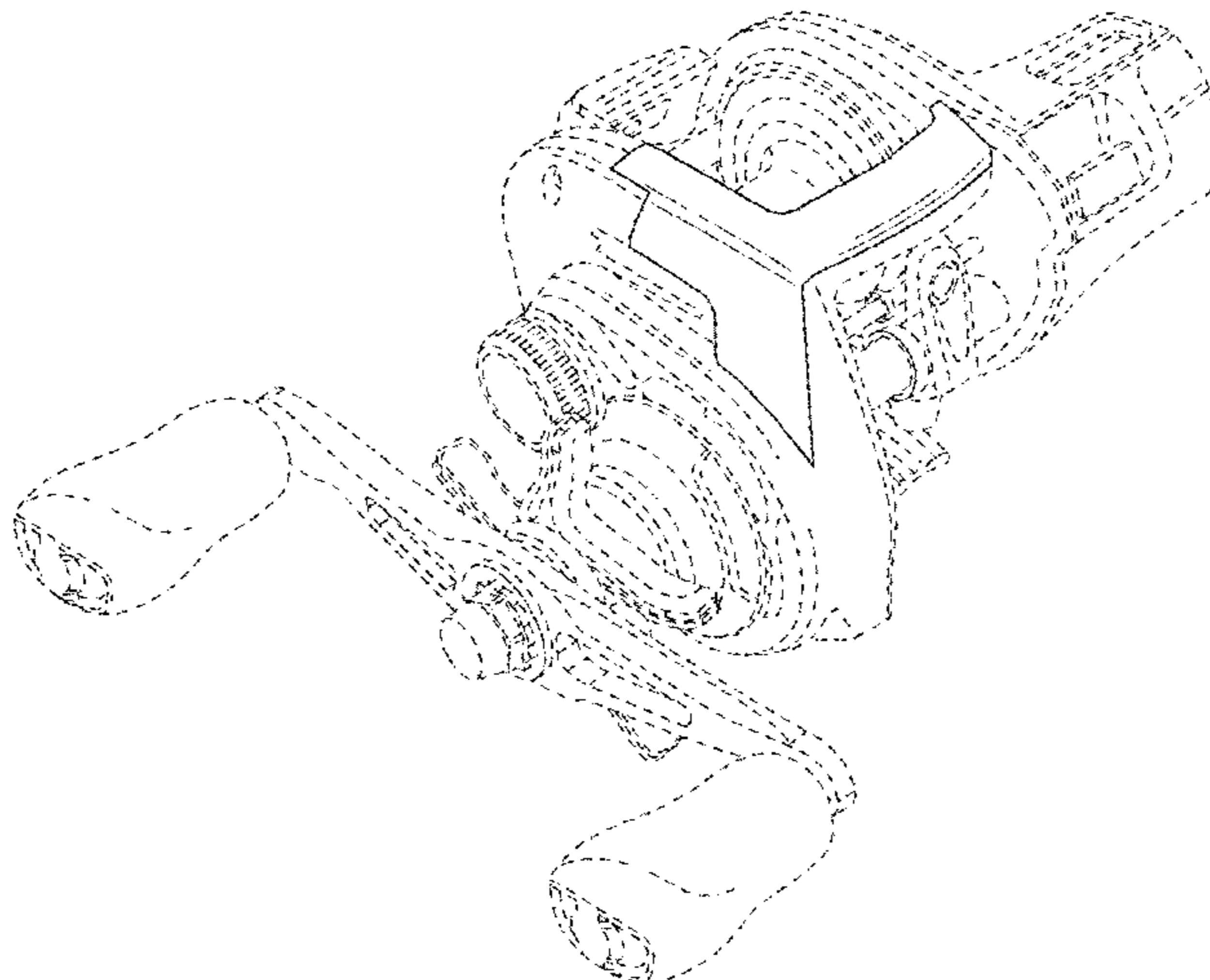
FIG. 11 is an enlarged, perspective view, similar to FIG. 9, of the fishing reel illustrated in FIG. 1 that includes an alternate fishing reel portion, which is identical to the fishing reel portion illustrated in FIGS. 1 to 10, except that two sections of the boundary of the alternate fishing reel portion is shown in broken lines; and,

FIG. 12 is an enlarged, top plan view, similar to FIG. 10, of the alternate fishing reel portion illustrated in FIG. 11.

In the alternate fishing reel portion illustrated in FIGS. 11 and 12, the broken line boundary does not form part of the claimed design. In other words, with respect to the alternate design of the fishing reel portion illustrated in FIGS. 11 and 12, it should be understood that the claimed design extends to the broken line boundary but does not include the broken line boundary shown in broken lines.

In the drawings, the broken line illustration of the environmental structure (the remaining structure of the fishing reel) in the drawings is not part of the claimed design. In other words, the broken line portion of the fishing reel does not form part of the claimed design.

1 Claim, 10 Drawing Sheets



(58) **Field of Classification Search**

CPC A01K 89/00; A01K 89/01; A01K 89/0111;
A01K 89/006; A01K 89/0183; A01K
89/0192; A01K 89/01121; A01K 89/09;
A01K 89/004; A01K 89/015

See application file for complete search history.

(56) **References Cited**

U.S. PATENT DOCUMENTS

D369,642 S *	5/1996	Iwabuchi	D22/140
D390,306 S	2/1998	Oba et al.	
D450,105 S *	11/2001	Asano	D22/140
D611,561 S	3/2010	Kobayashi et al.	
D659,222 S *	5/2012	Toma	D22/140
D785,749 S *	5/2017	Kano	D22/140
D846,061 S *	4/2019	Niitsuma	D22/140

* cited by examiner

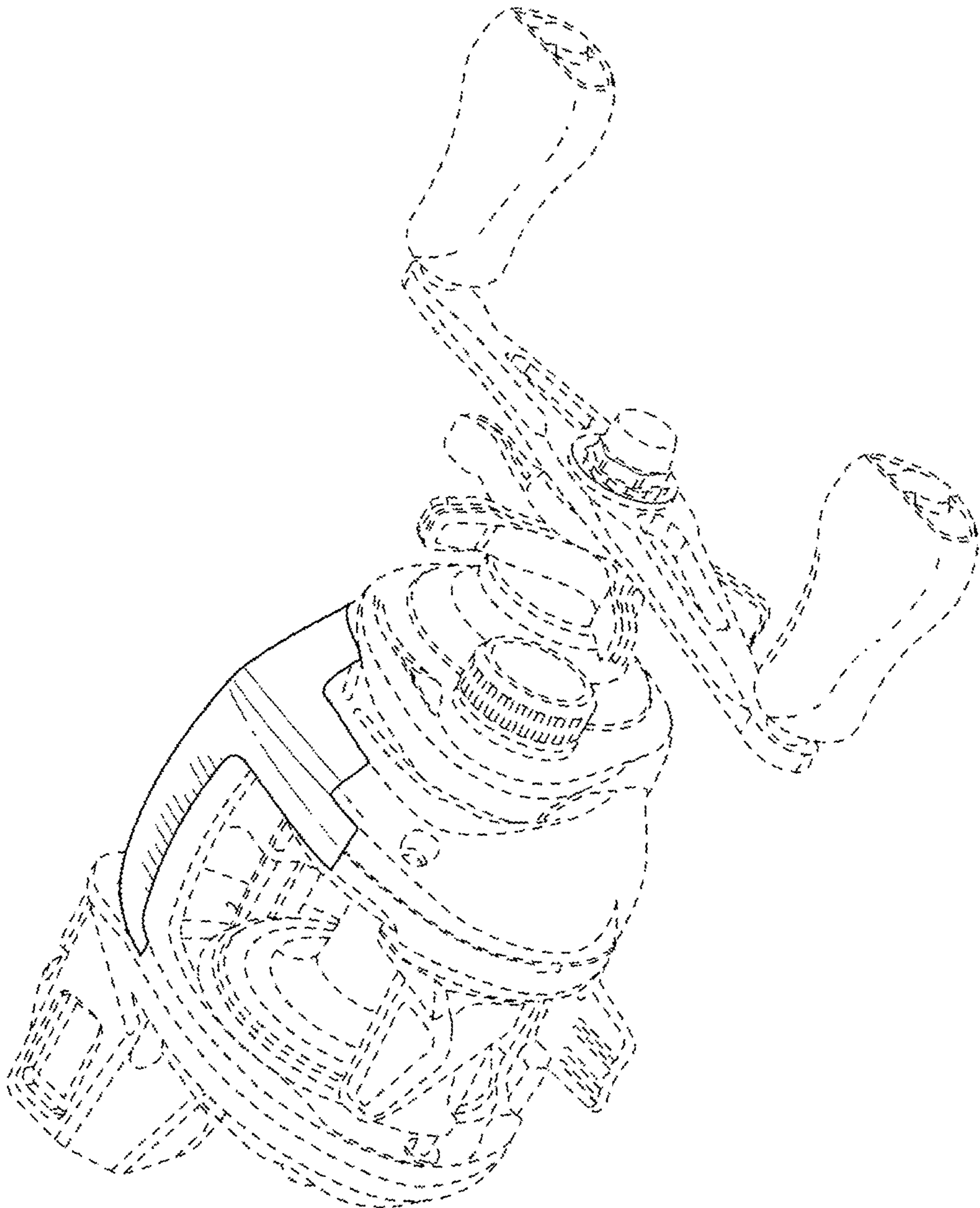


FIG. 1

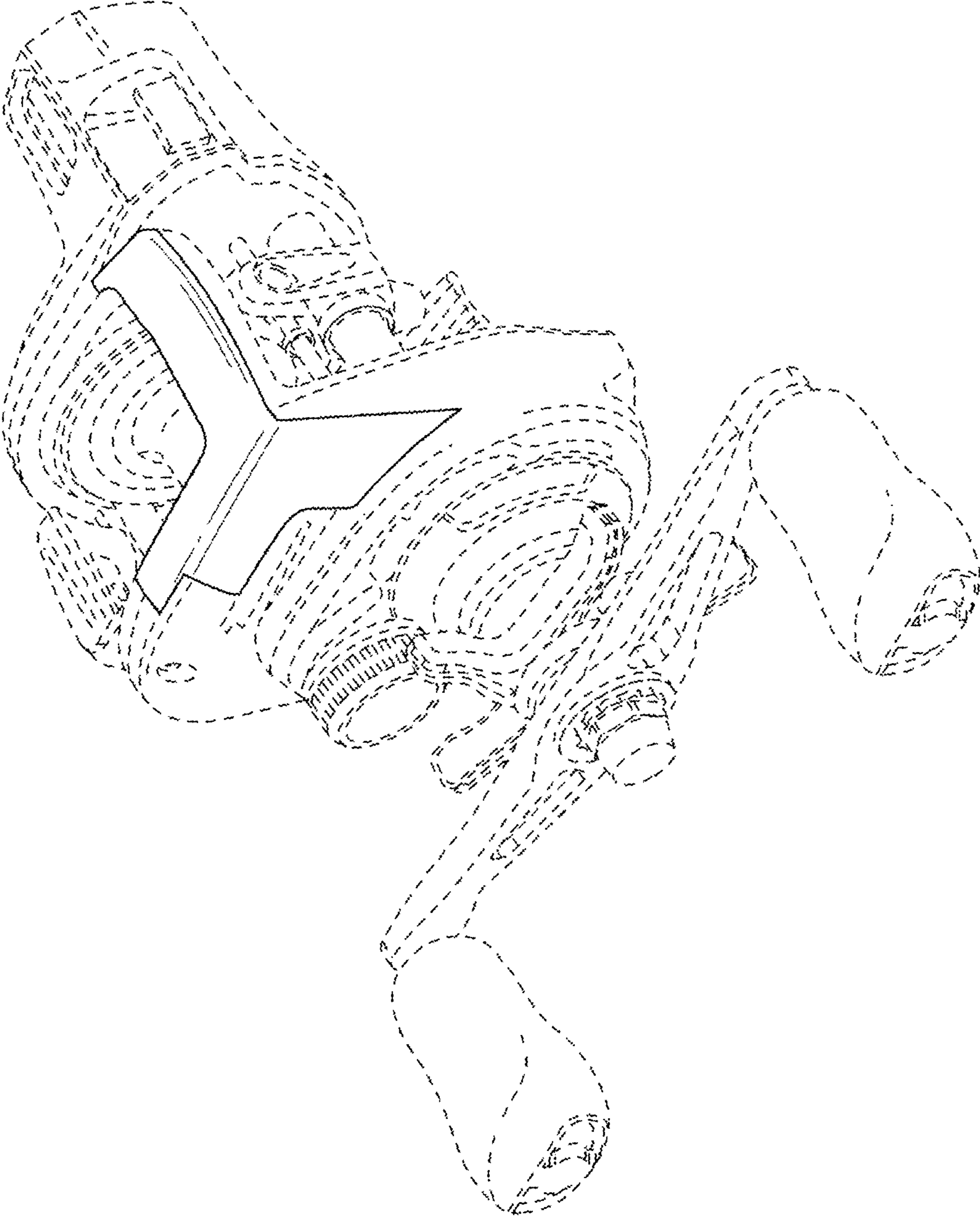


FIG. 2

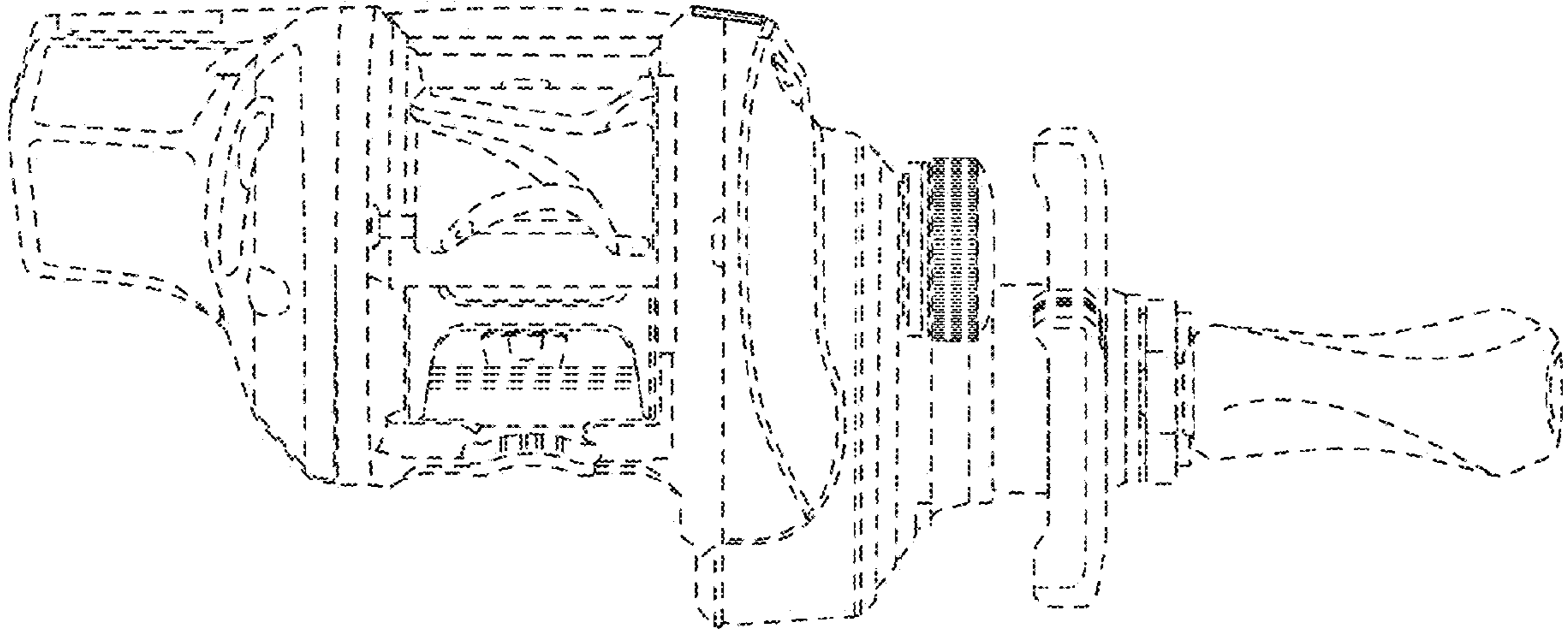


FIG. 3

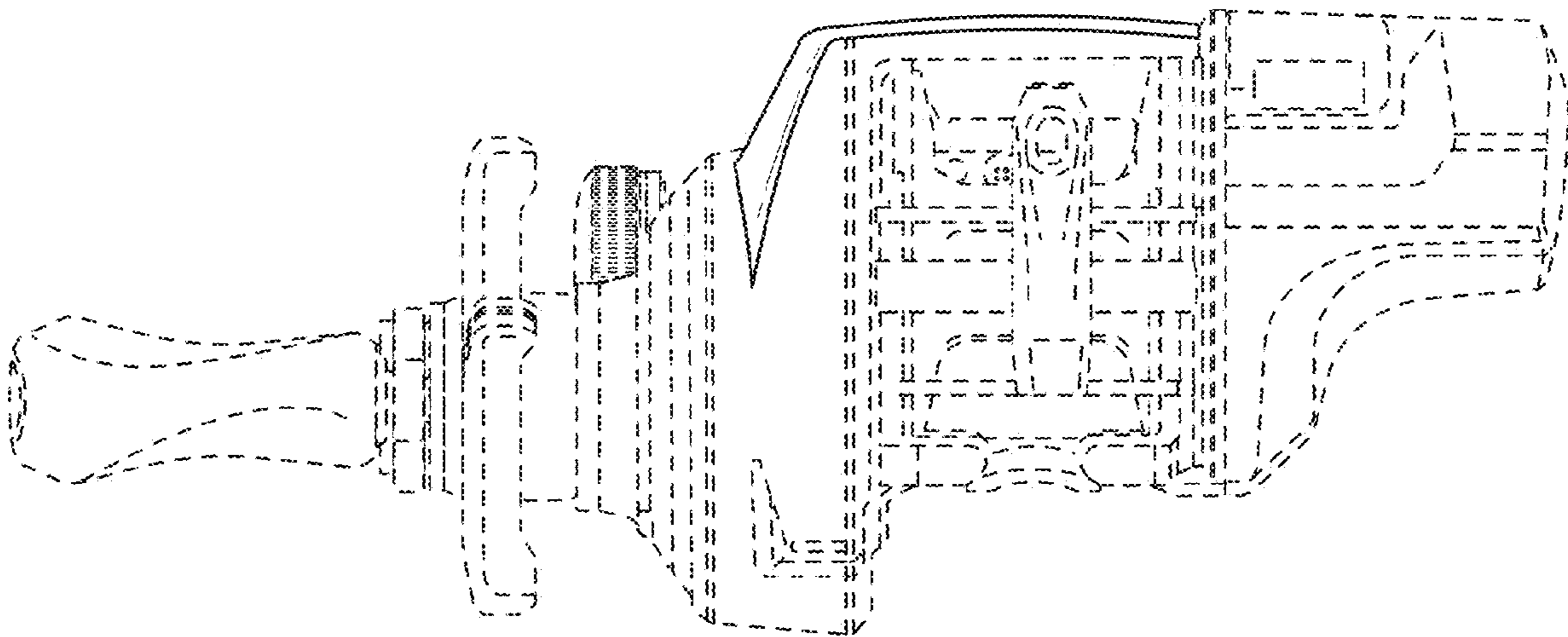


FIG. 4

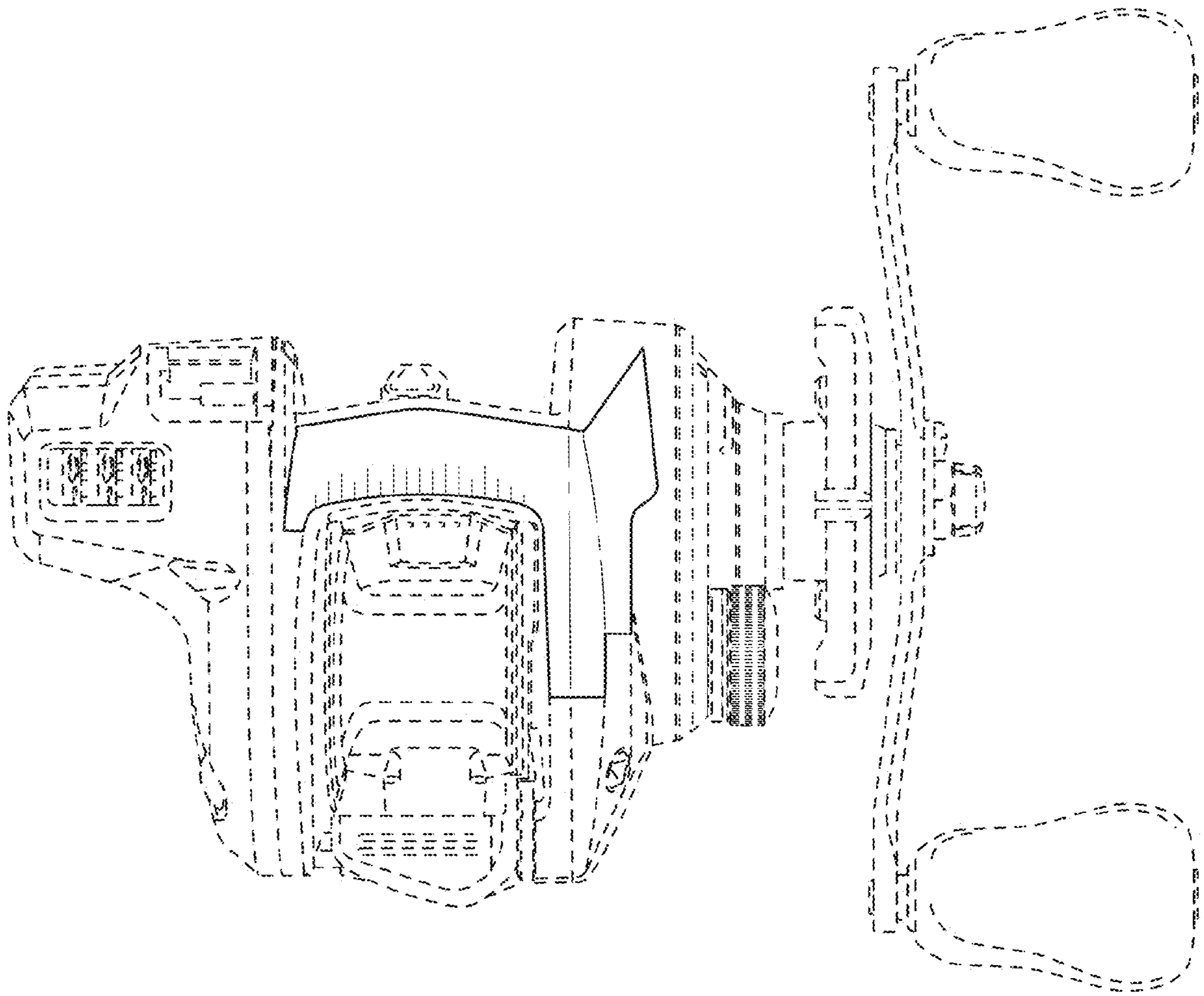


FIG. 5

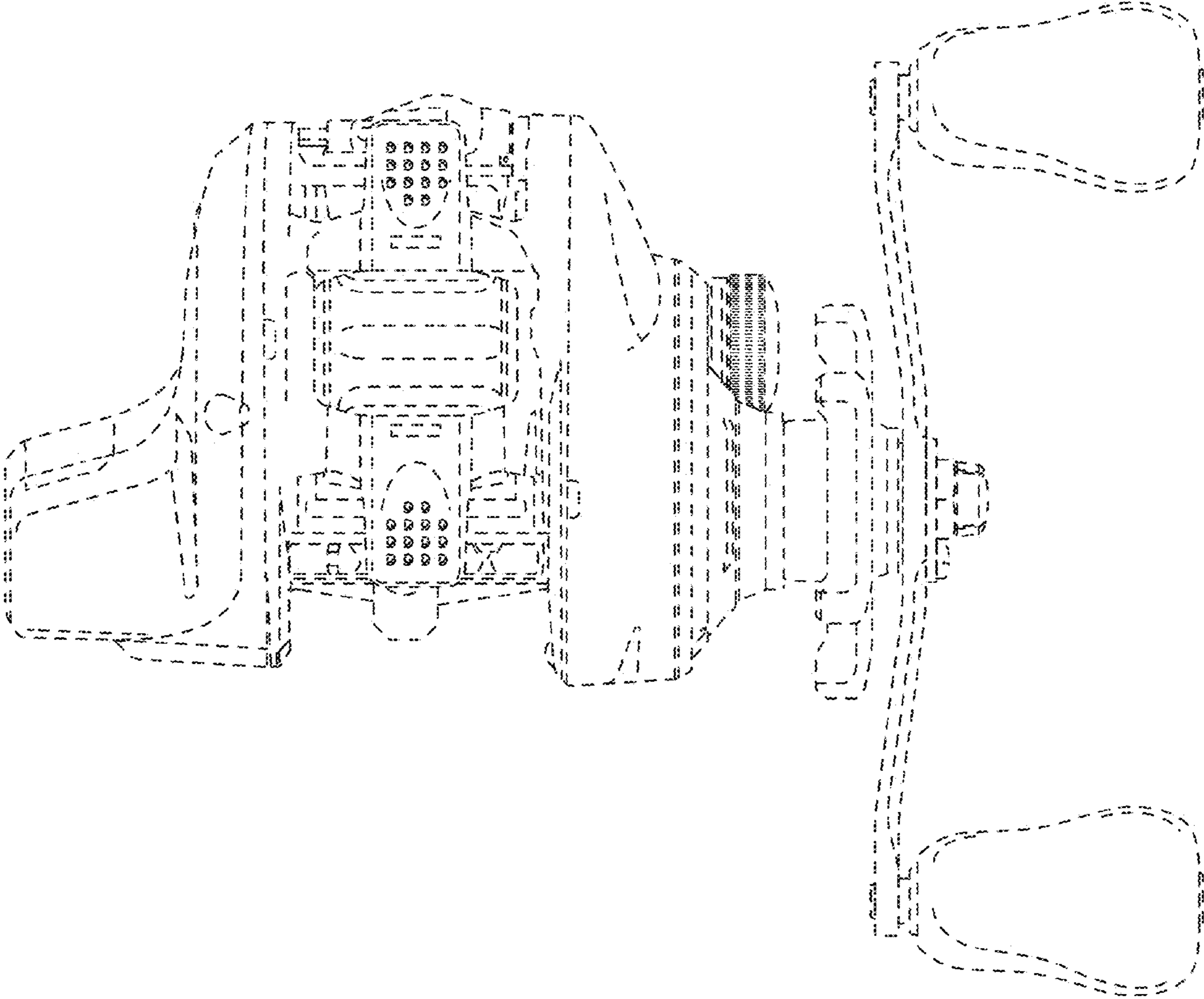


FIG. 6

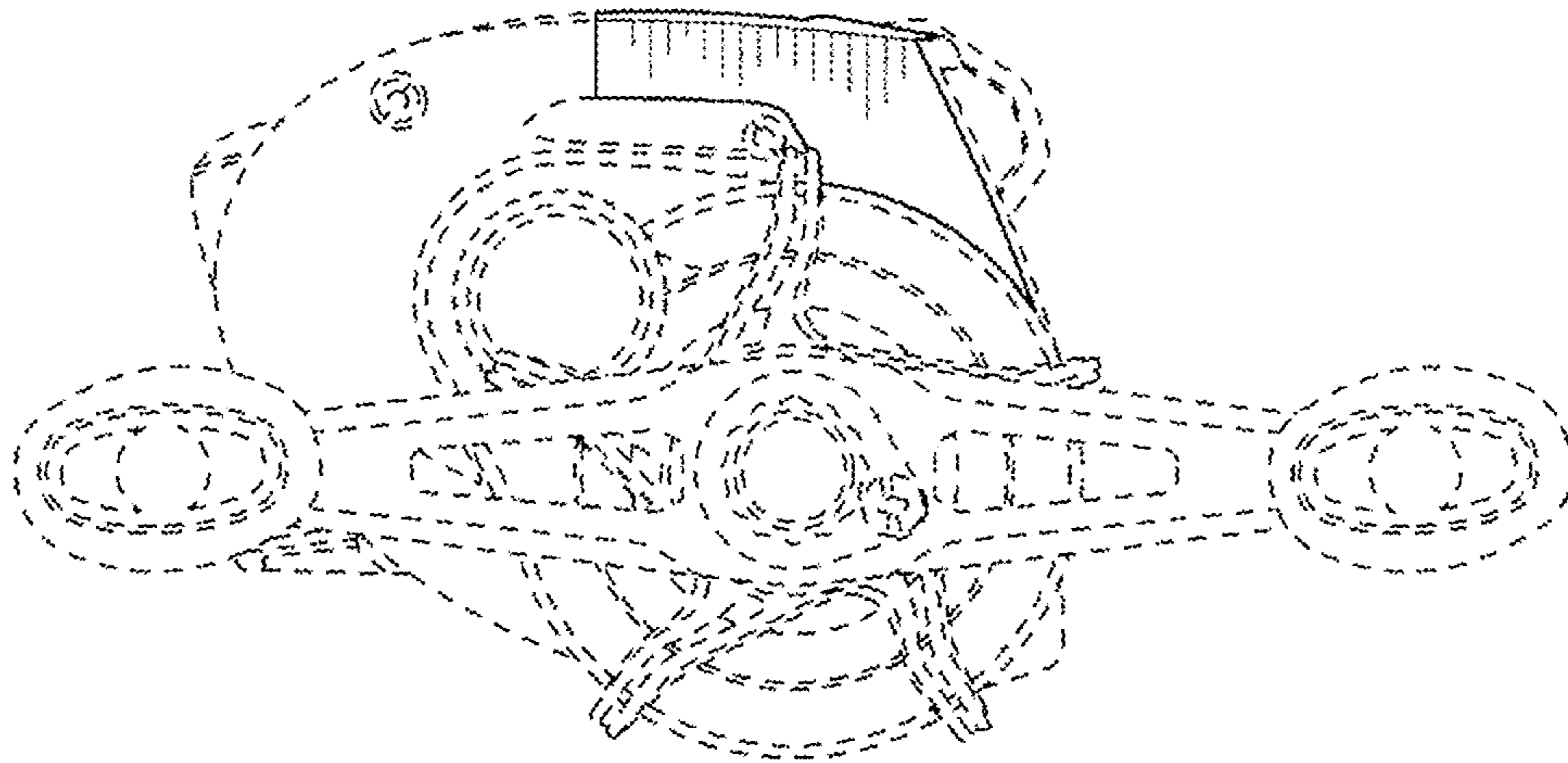


FIG. 7

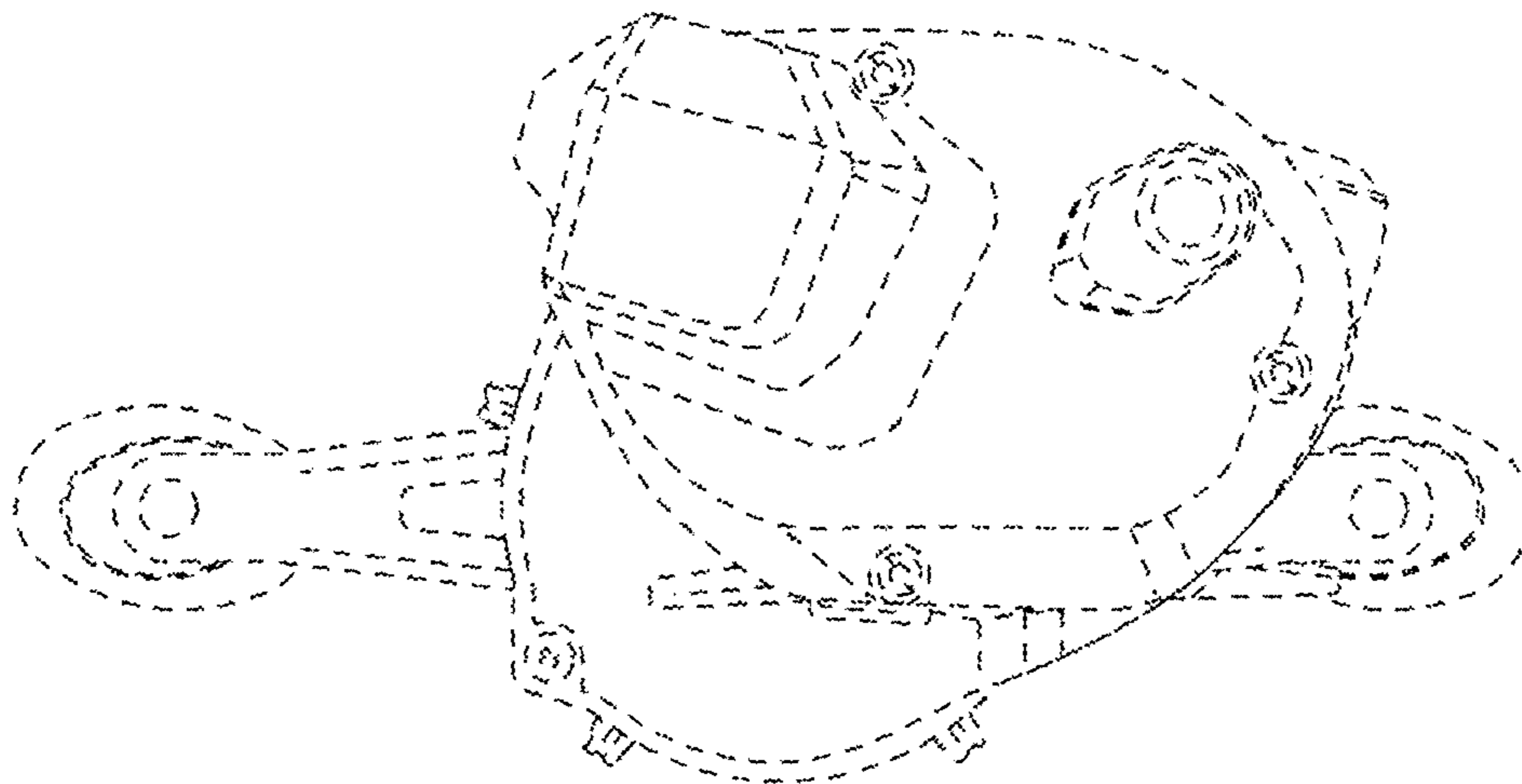


FIG. 8

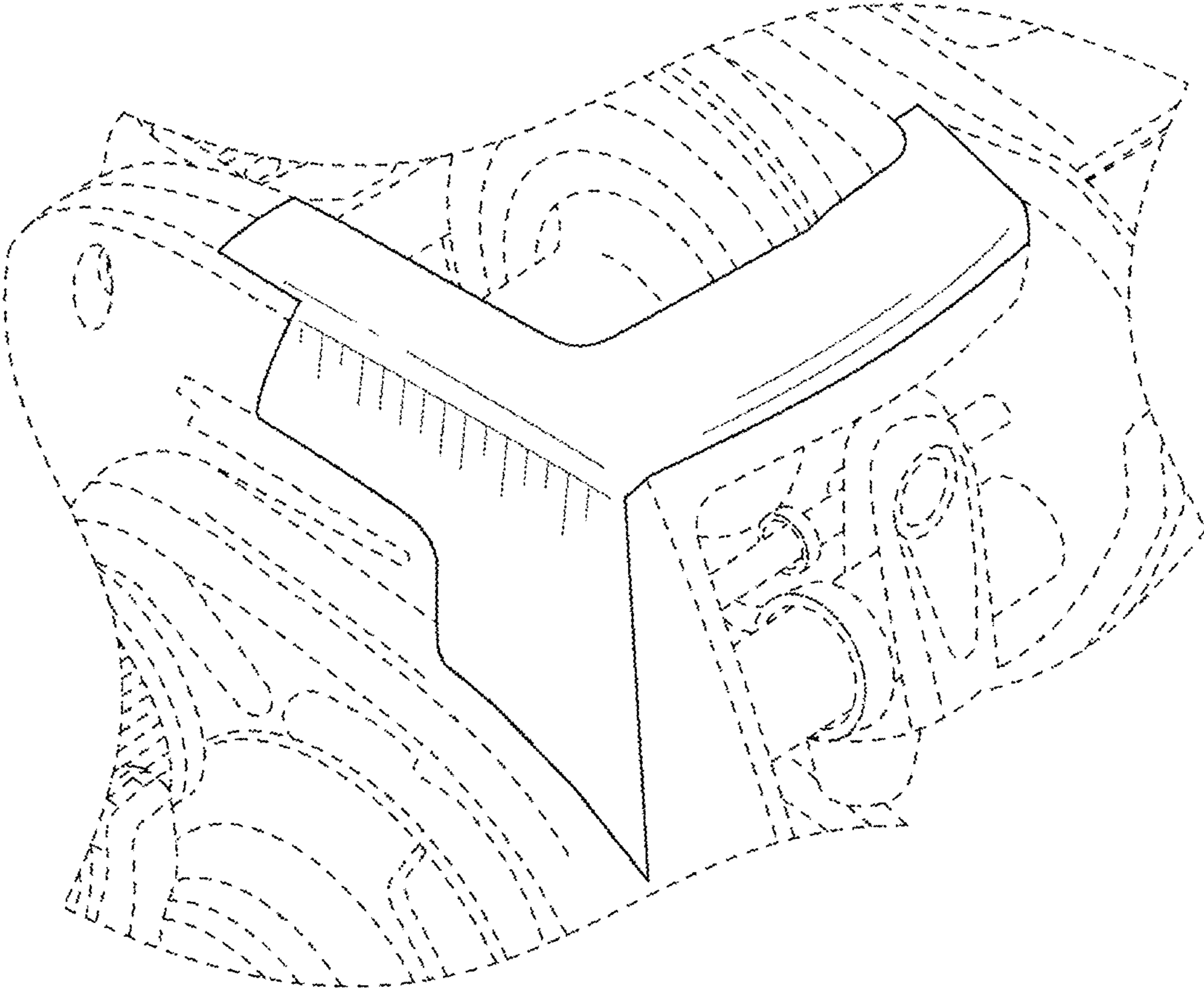


FIG. 9

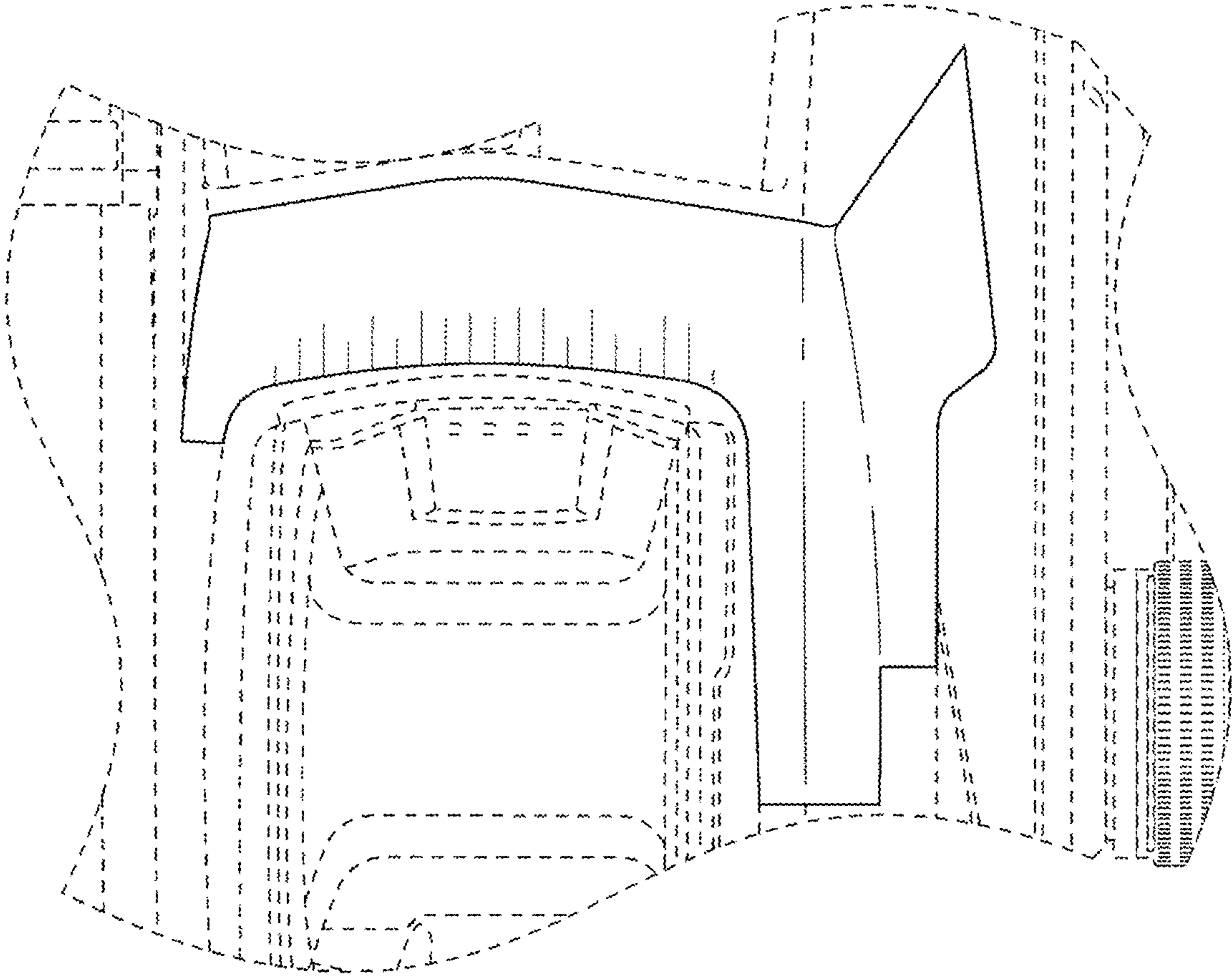


FIG. 10

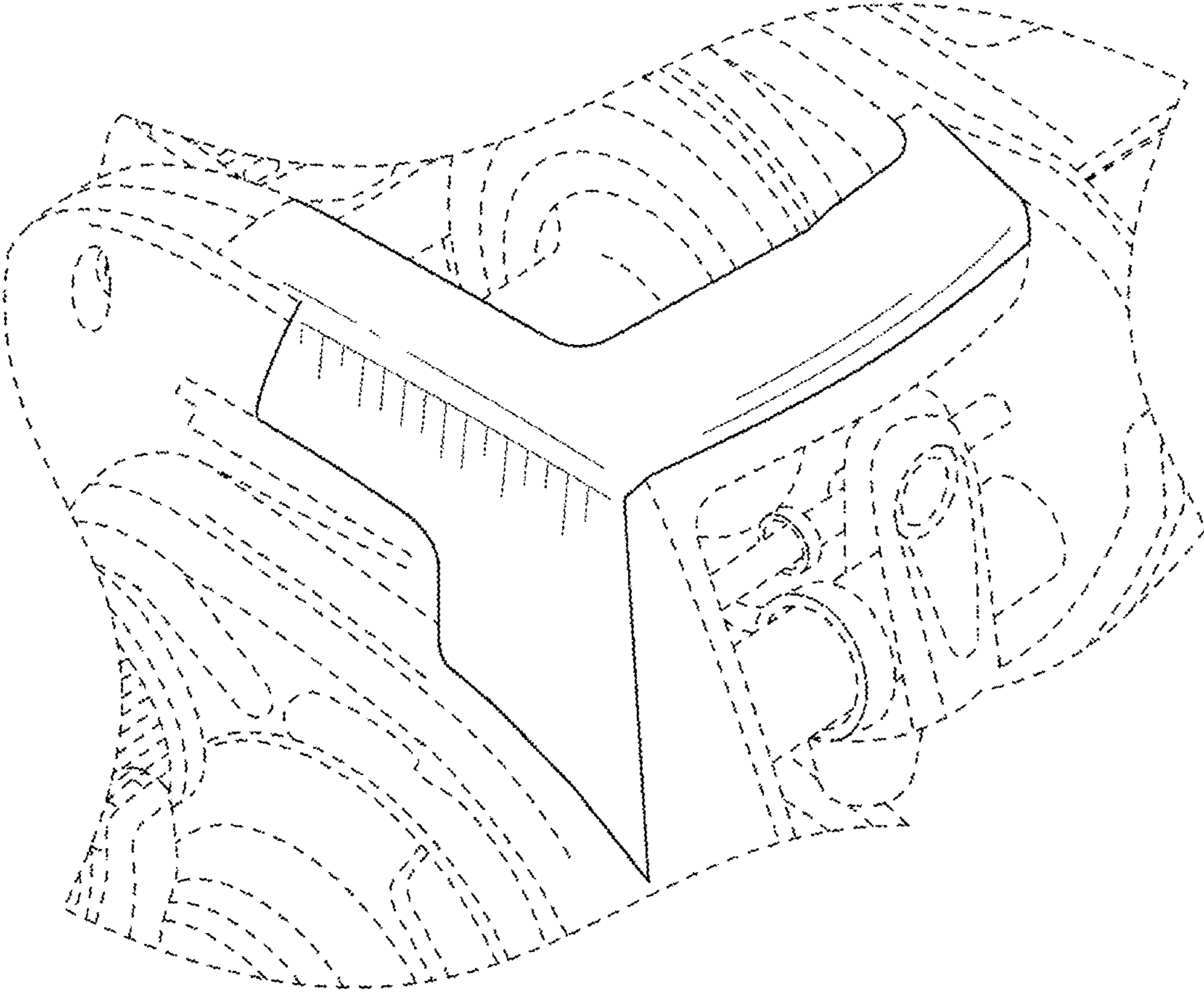


FIG. 11

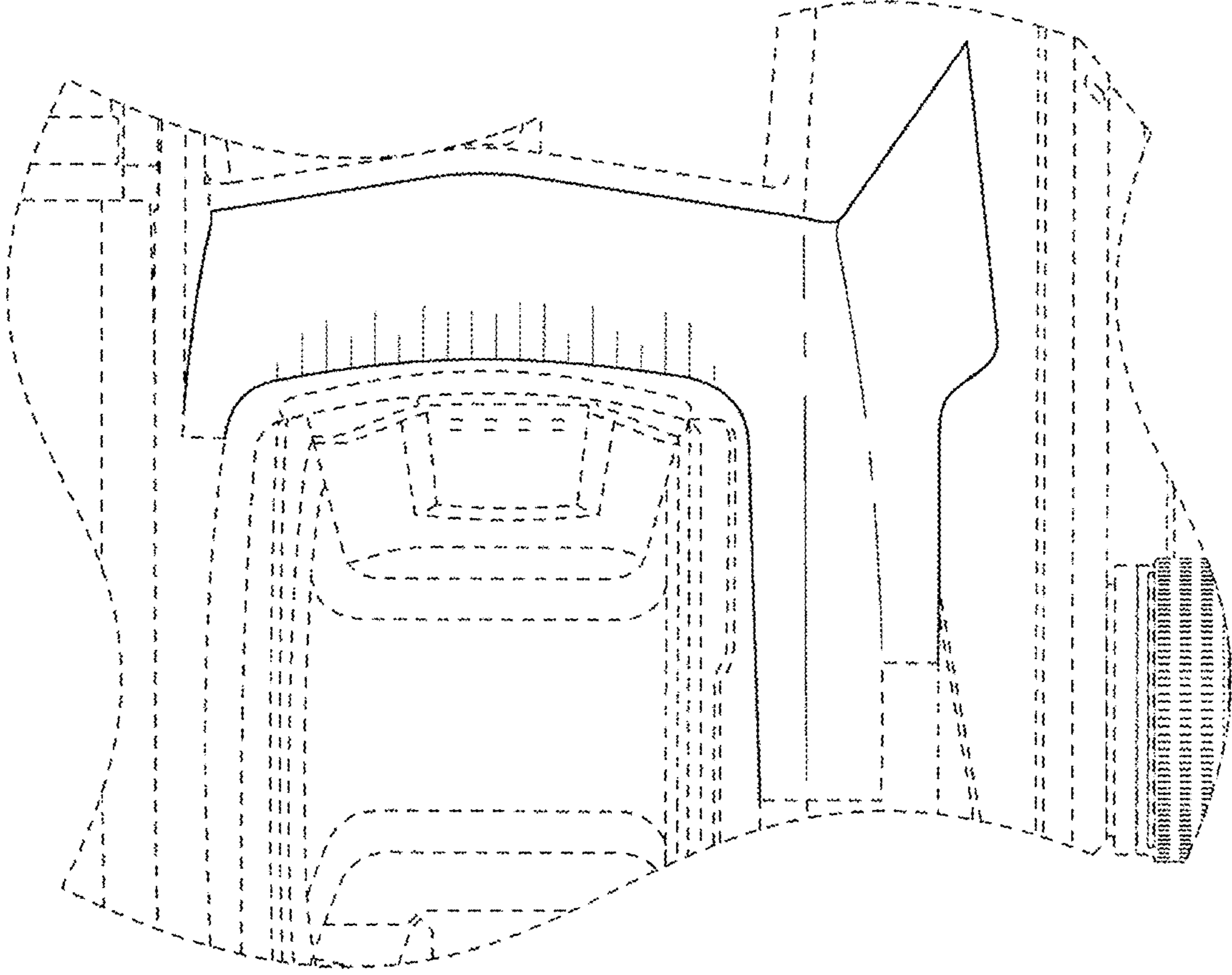


FIG. 12