



US00D944355S

(12) **United States Design Patent**
Suzuki

(10) **Patent No.:** **US D944,355 S**

(45) **Date of Patent:** **** Feb. 22, 2022**

(54) **FISHING REEL**

(71) Applicant: **Shimano Inc.**, Osaka (JP)

(72) Inventor: **Miho Suzuki**, Osaka (JP)

(73) Assignee: **Shimano Inc.**, Osaka (JP)

(**) Term: **15 Years**

(21) Appl. No.: **29/734,884**

(22) Filed: **May 15, 2020**

(30) **Foreign Application Priority Data**

Dec. 24, 2019 (JP) 2019-028659

(51) **LOC (13) Cl.** **22-05**

(52) **U.S. Cl.**
USPC **D22/140**

(58) **Field of Classification Search**
USPC D22/140-141
CPC A01K 89/00; A01K 89/01; A01K 89/0111;
A01K 89/006; A01K 89/0183; A01K
89/0192; A01K 89/01121; A01K 89/09;
A01K 89/004; A01K 89/015
See application file for complete search history.

(56) **References Cited**

U.S. PATENT DOCUMENTS

D324,716 S 3/1992 Yoshikawa
D390,306 S 2/1998 Oba et al.

D579,075 S * 10/2008 Sekimoto D22/140
D611,561 S 3/2010 Kobayashi et al.
D767,084 S * 9/2016 Niitsuma D22/140
D916,230 S * 4/2021 Umezawa D22/140

* cited by examiner

Primary Examiner — Catherine R Oliver-Garcia
(74) *Attorney, Agent, or Firm* — Global IP Counselors,
LLP

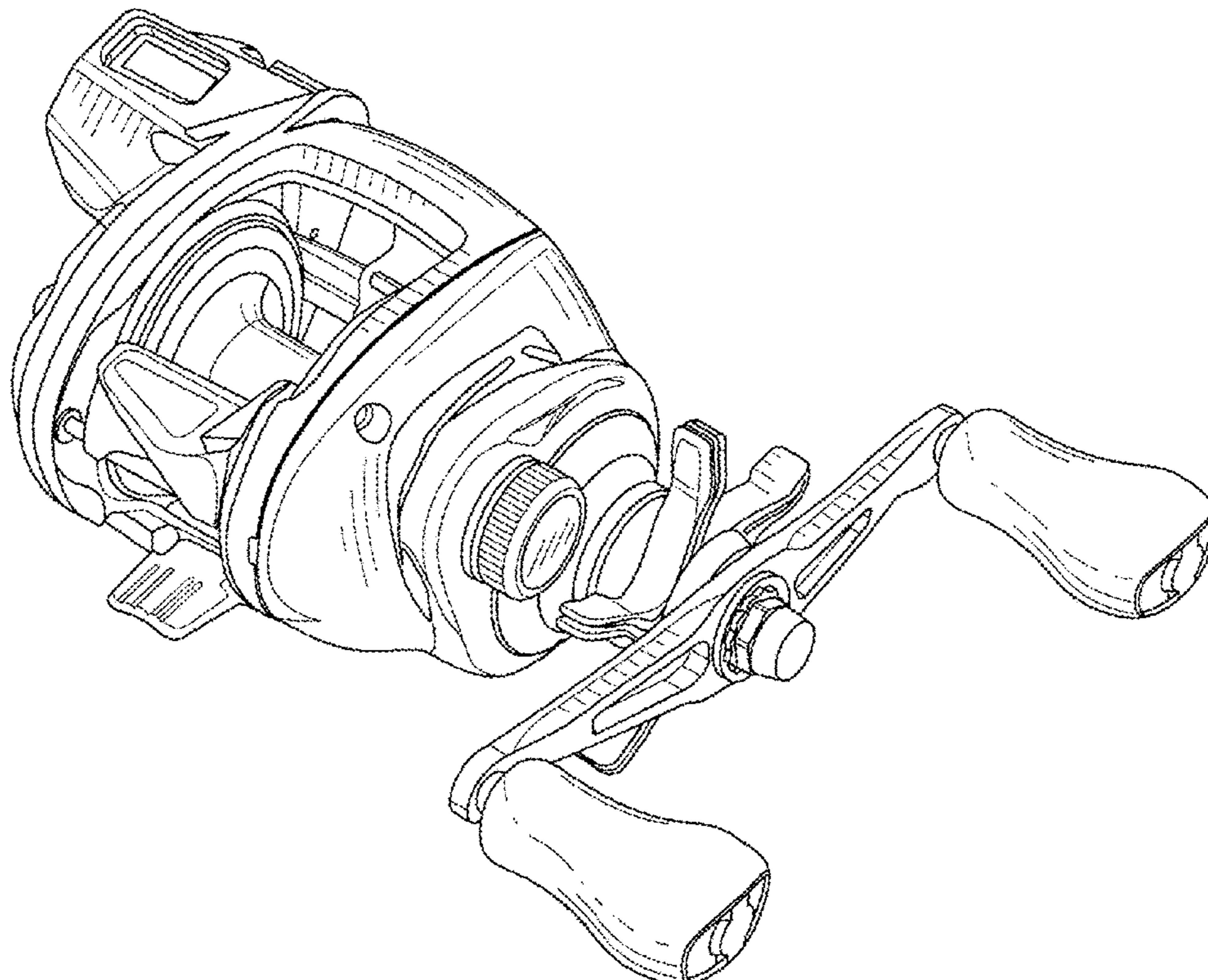
(57) **CLAIM**

An ornamental design for a fishing reel, as shown and described.

DESCRIPTION

FIG. 1 is a first perspective view of a fishing reel in accordance with my new design;
FIG. 2 is a second perspective view of the fishing reel illustrated in FIG. 1;
FIG. 3 is a third perspective view of the fishing reel illustrated in FIG. 1;
FIG. 4 is a first end elevational view of the fishing reel illustrated in FIG. 1.
FIG. 5 is a second end elevational view of the fishing reel illustrated in FIG. 1;
FIG. 6 is a top plan view of the fishing reel illustrated in FIG. 1;
FIG. 7 is a bottom plan view of the fishing reel illustrated in FIG. 1;
FIG. 8 is a first side elevational view of the fishing reel illustrated in FIG. 1; and,
FIG. 9 is a second side elevational view of the fishing reel illustrated in FIG. 1.

1 Claim, 7 Drawing Sheets



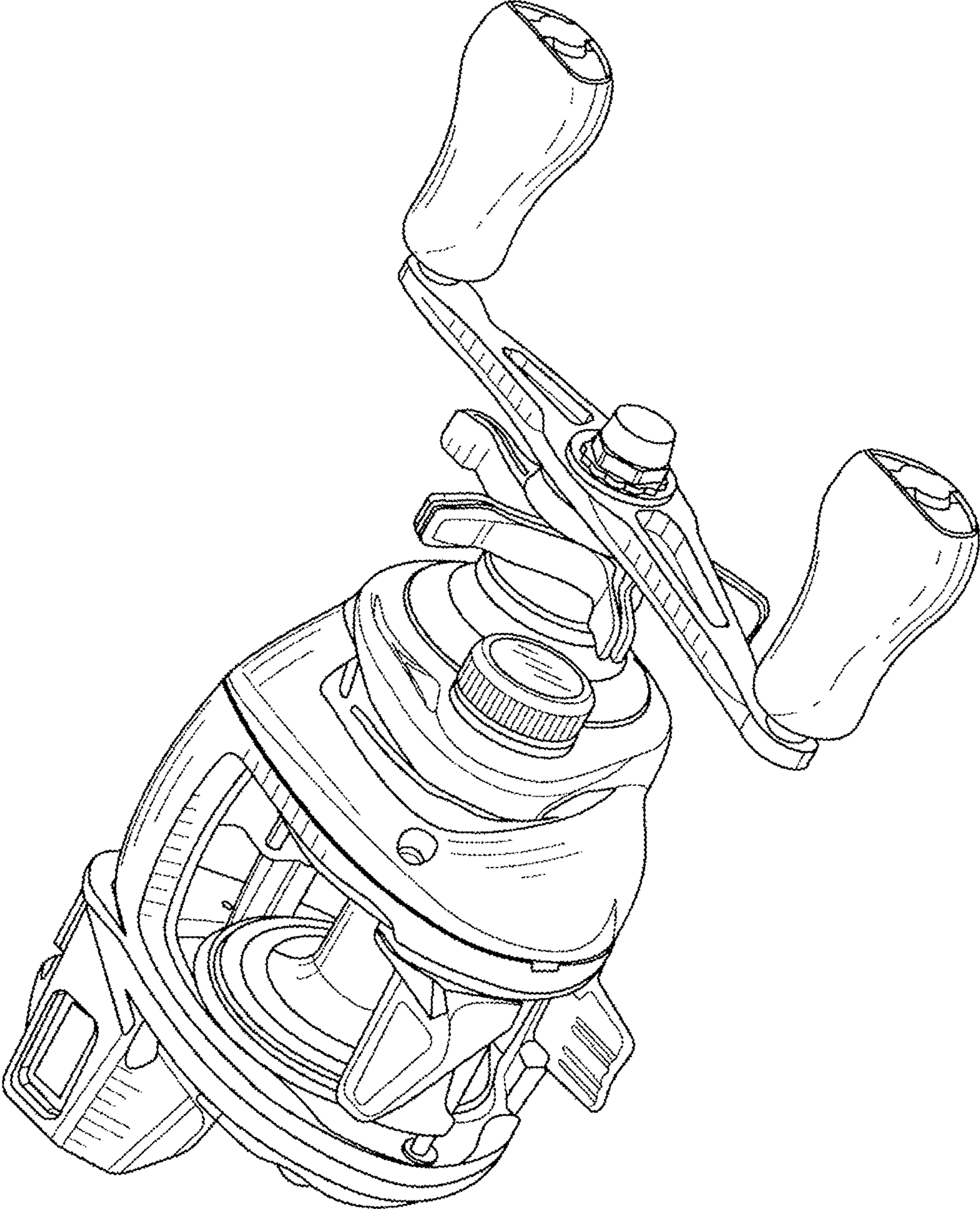


FIG. 1

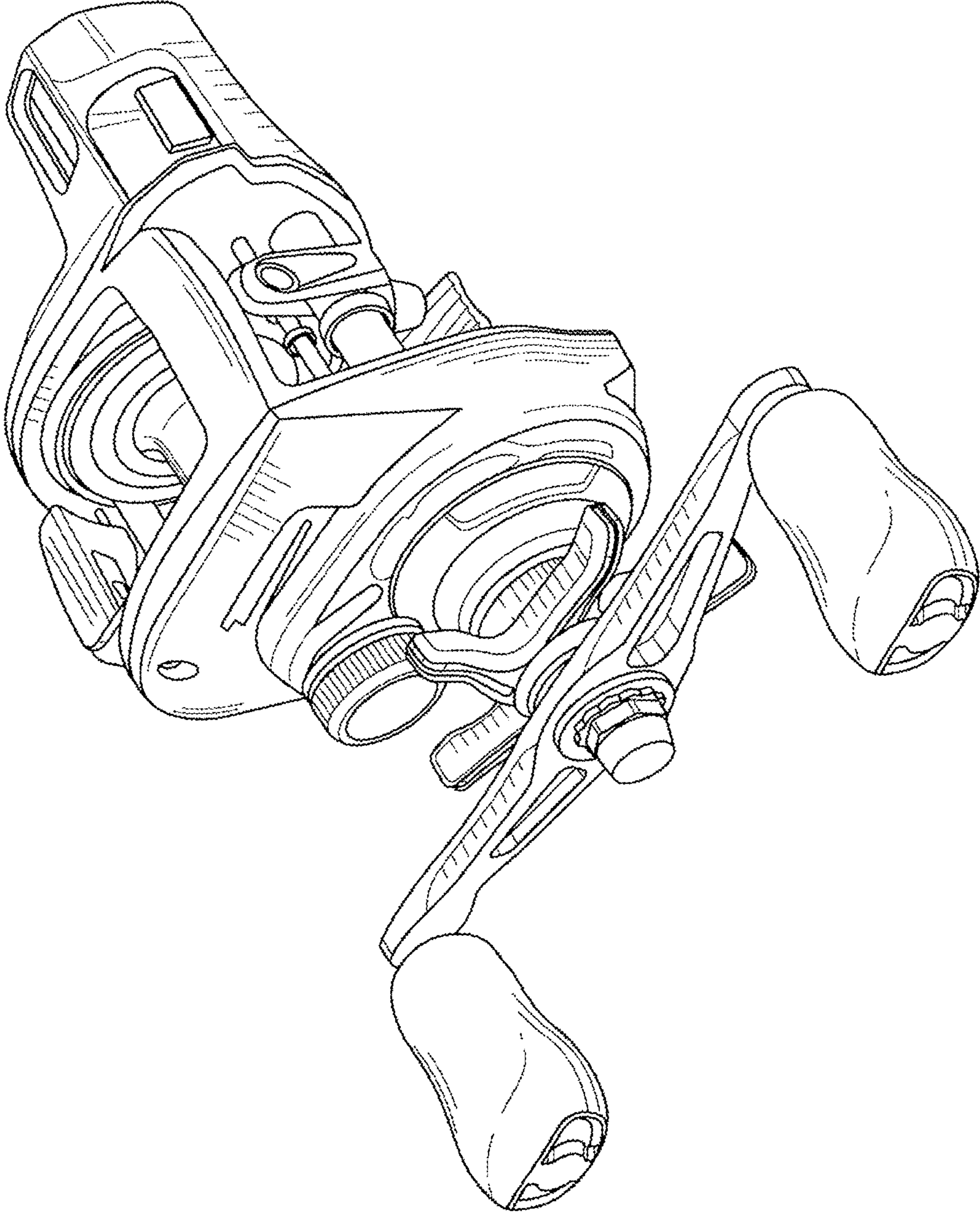


FIG. 2

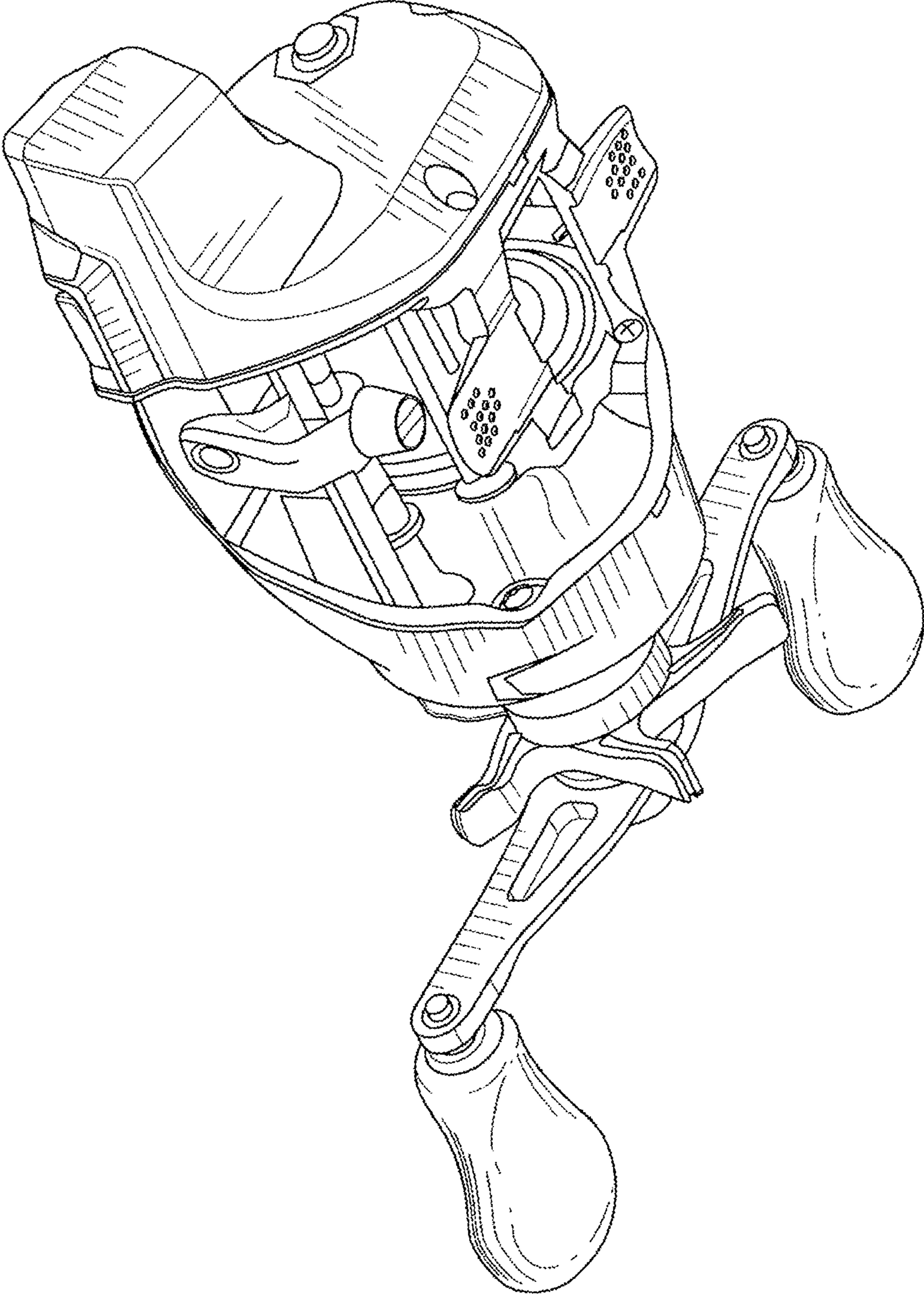


FIG. 3

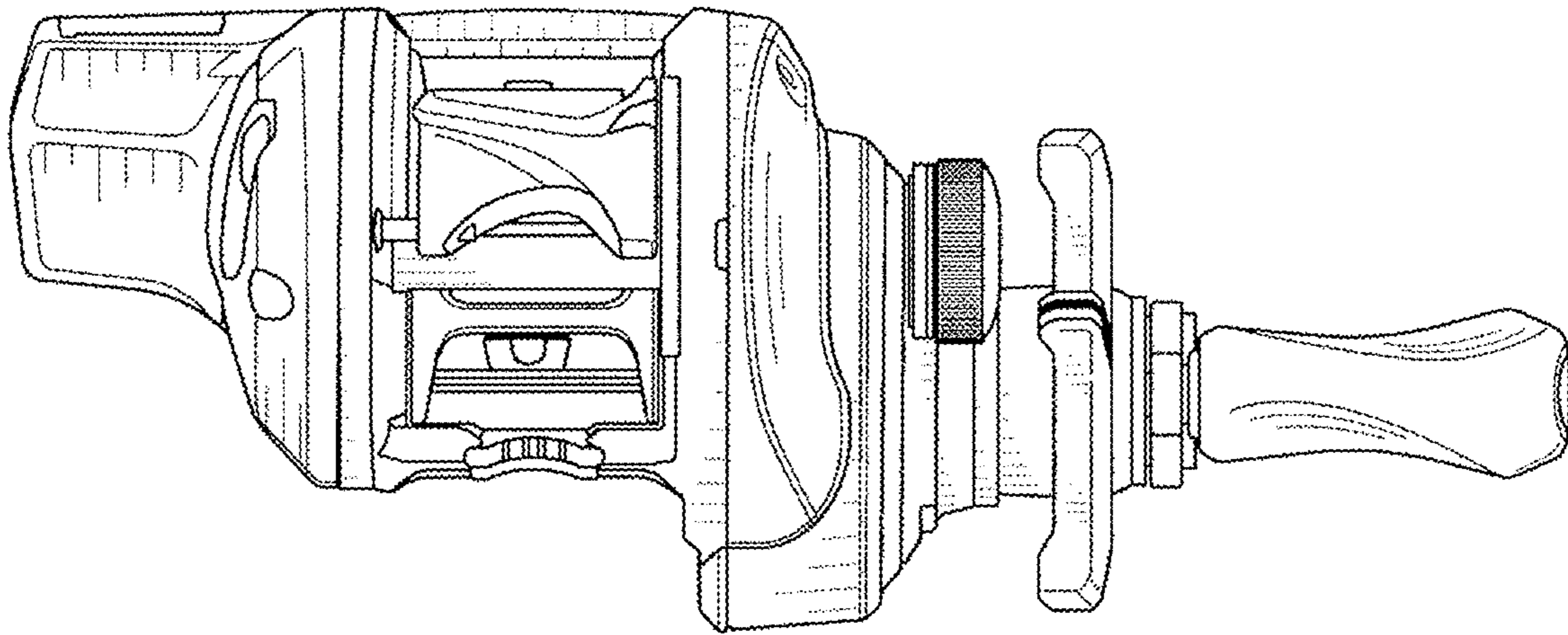


FIG. 4

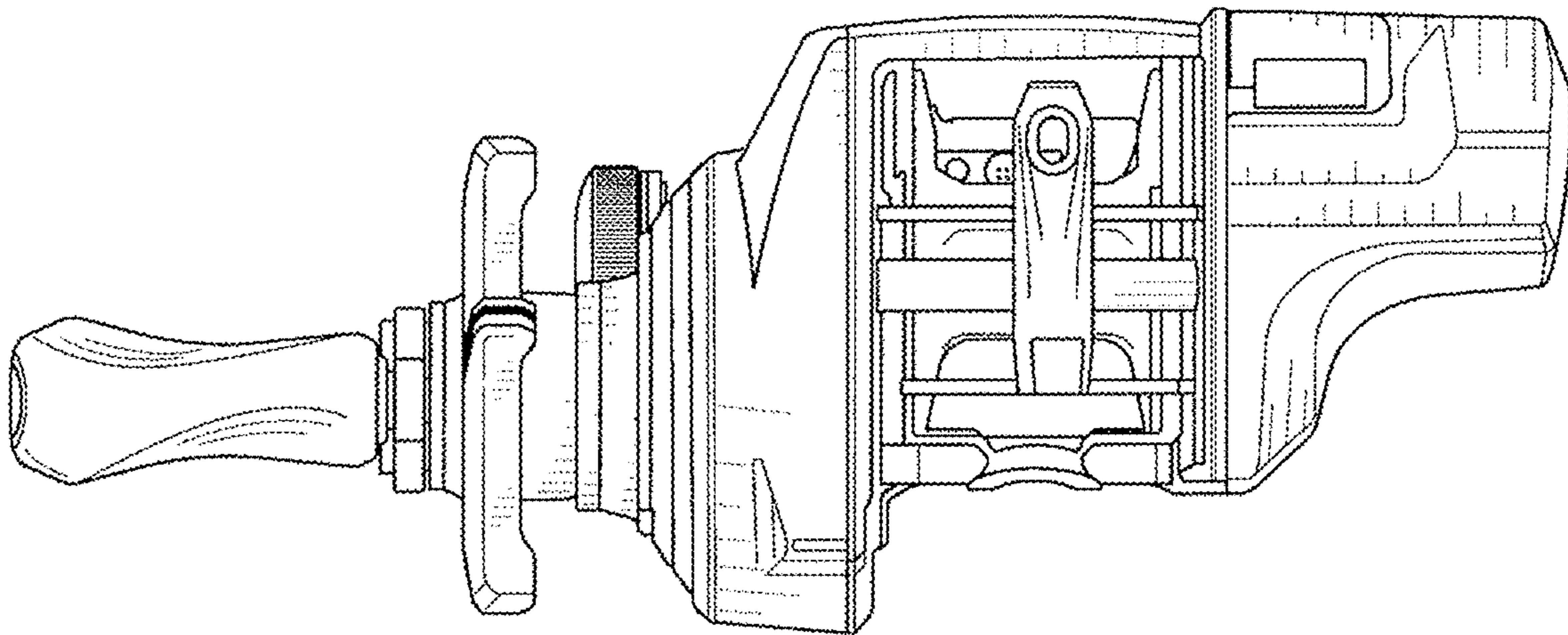


FIG. 5

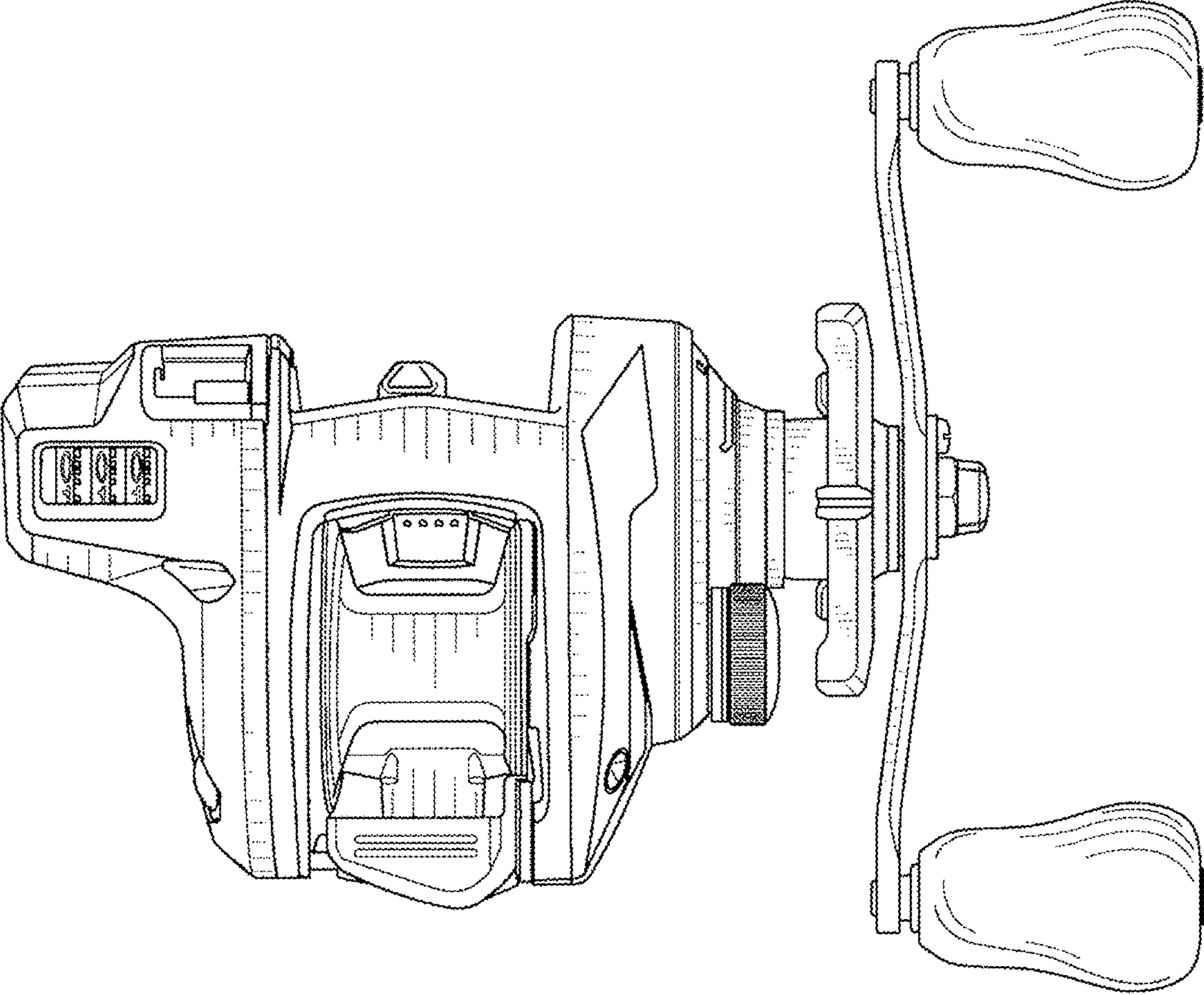


FIG. 6

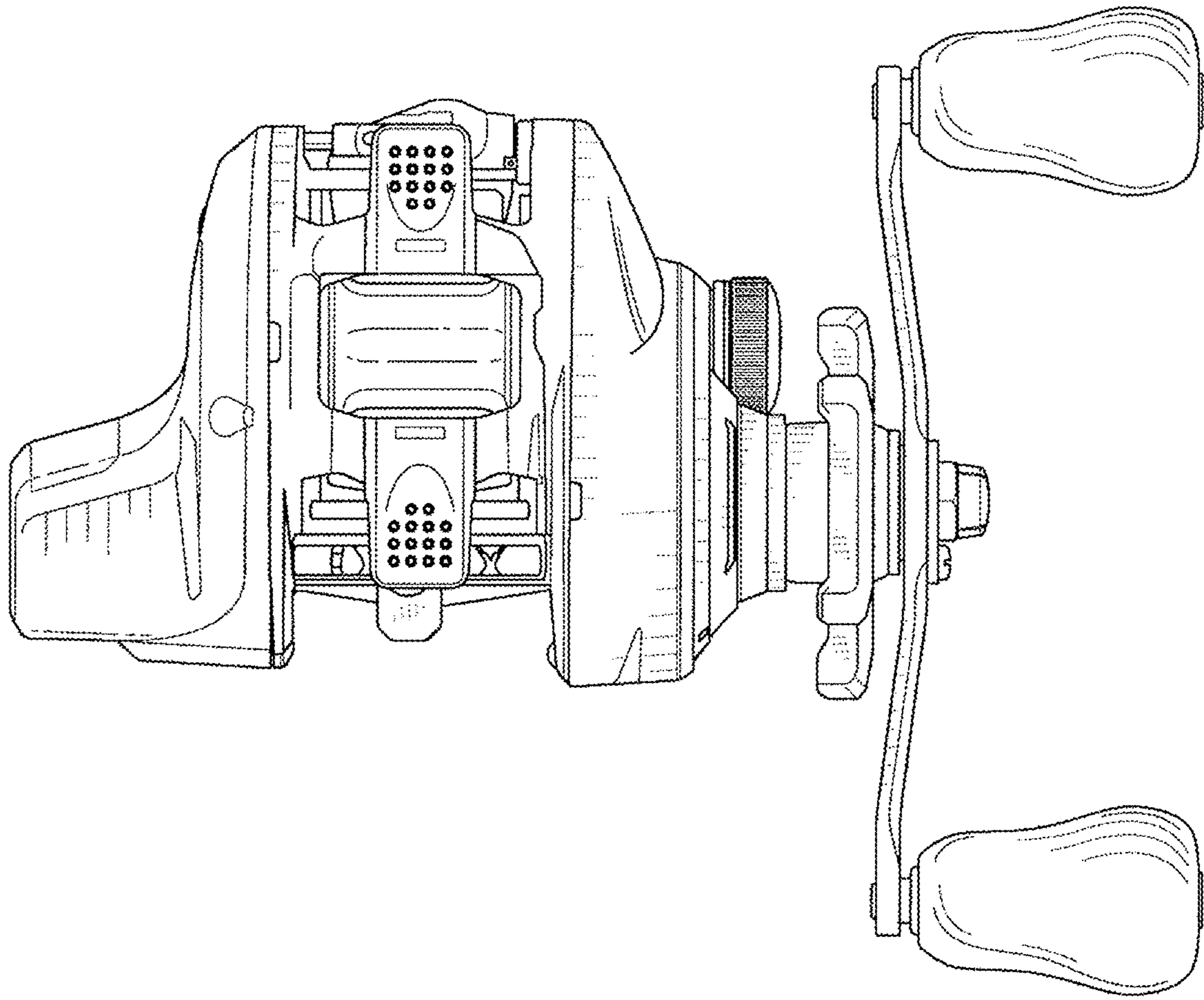


FIG. 7

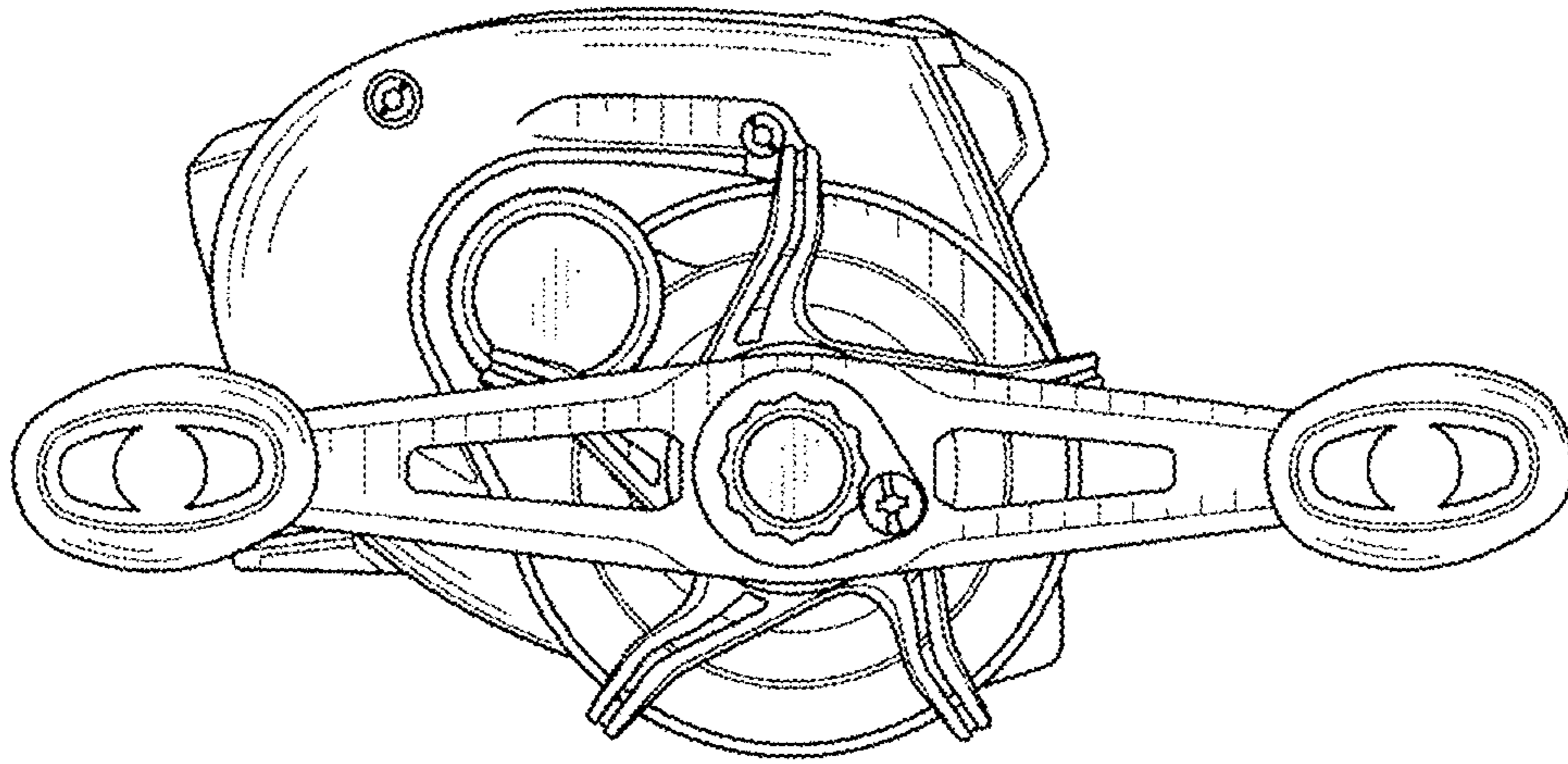


FIG. 8

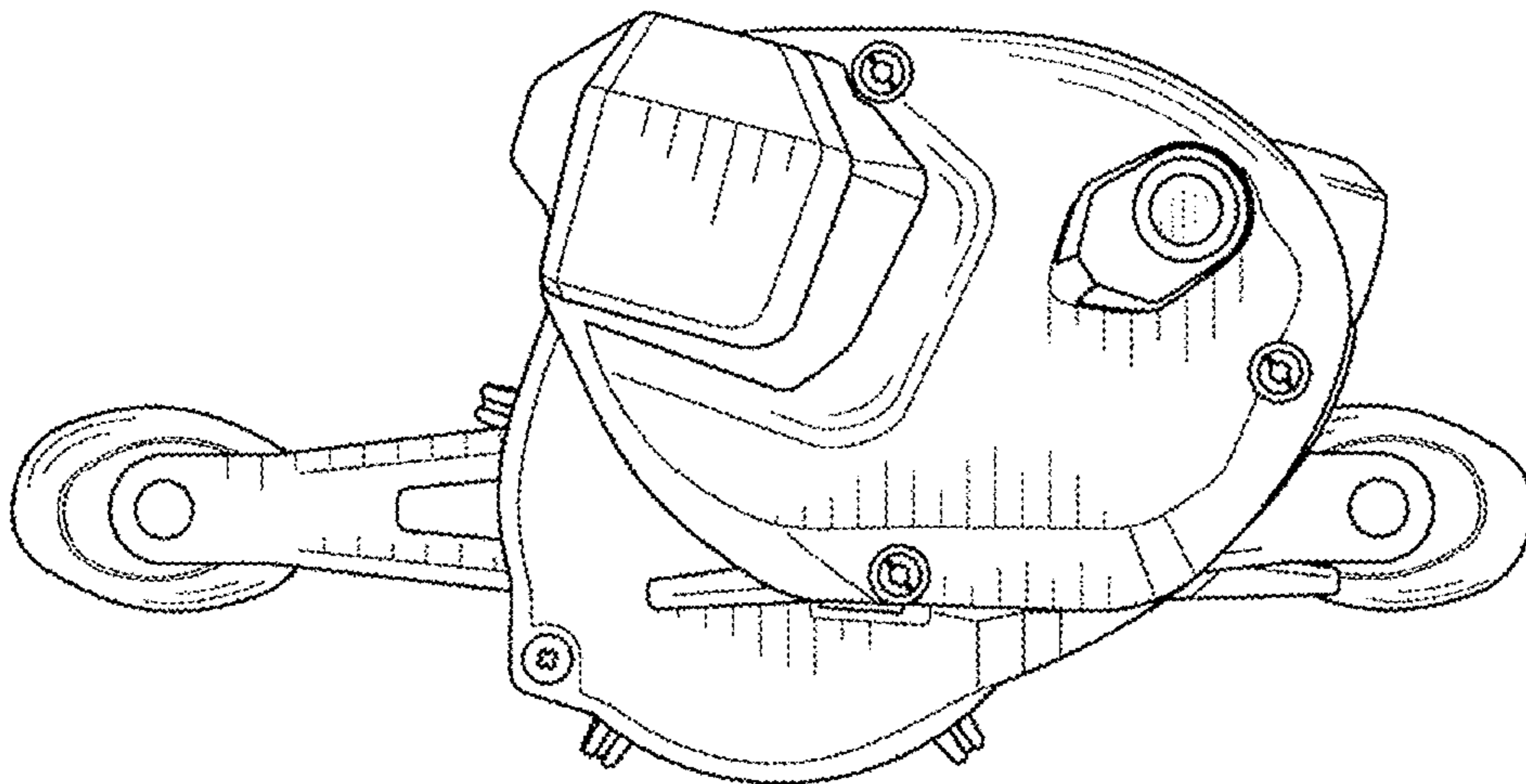


FIG. 9