

US00D944354S

(12) **United States Design Patent** (10) **Patent No.:** **US D944,354 S**
McNiel et al. (45) **Date of Patent:** **** Feb. 22, 2022**

(54) **OPENABLE FISHING LURE CONTAINER**

FOREIGN PATENT DOCUMENTS

(71) Applicants: **Gary McNiel**, Frisco, TX (US);
Deborah McNiel, Frisco, TX (US)

CA 2724956 A1 4/2012
JP H11318301 A 11/1999

(72) Inventors: **Gary McNiel**, Frisco, TX (US);
Deborah McNiel, Frisco, TX (US)

OTHER PUBLICATIONS

(73) Assignee: **SOLUTION PRODUCTS, LLC**,
Frisco, TX (US)

International Search Report and Written Opinion for Corresponding
Application No. PCT/US20/29024, dated Jul. 9, 2020.

(Continued)

(**) Term: **15 Years**

Primary Examiner — Catherine R Oliver-Garcia

(21) Appl. No.: **29/731,989**

(57) **CLAIM**

The ornamental design for an openable fishing lure con-
tainer, as shown and described.

(22) Filed: **Apr. 20, 2020**

DESCRIPTION

(51) **LOC (13) Cl.** **22-05**

(52) **U.S. Cl.**
USPC **D22/136**

(58) **Field of Classification Search**
USPC D22/134, 139, 260
CPC A01K 87/00; A01K 97/00; A01K 97/06
See application file for complete search history.

FIG. 1 is a front perspective view of a fishing lure container
having a cap which can move between a closed position and
an open position, wherein the cap is in the closed position;
FIG. 2 is a front elevational view thereof;
FIG. 3 is a rear elevational view thereof;
FIG. 4 is a right side elevational view thereof;
FIG. 5 is a left side elevational view thereof.
FIG. 6 is a top plan view thereof;
FIG. 7 is a bottom plan view thereof;
FIG. 8 is a rear perspective view thereof;
FIG. 9 is a front perspective view of the fishing lure
container, wherein the cap is in the open position;
FIG. 10 is a front elevational view thereof;
FIG. 11 is a rear elevational view thereof;
FIG. 12 is a right side elevational view thereof;
FIG. 13 is a left side elevational view thereof.
FIG. 14 is a top plan view thereof;
FIG. 15 is a bottom plan view thereof; and,
FIG. 16 is a rear perspective view thereof.
The broken lines in the drawings illustrate portions of the
openable fishing lure container that form no part of the
claimed design.

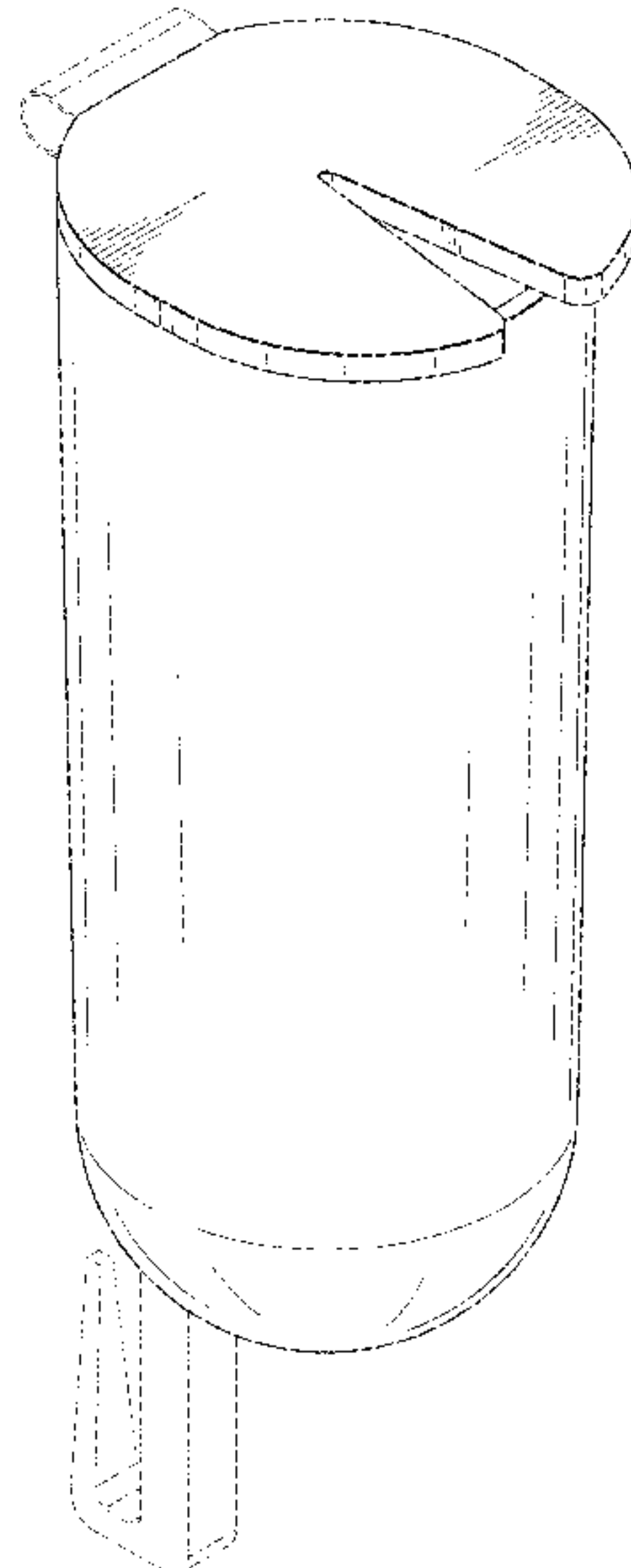
(56) **References Cited**

U.S. PATENT DOCUMENTS

1,216,069 A 2/1917 Cammack
2,699,623 A 1/1955 Pragalz
4,383,385 A 5/1983 Myers
4,418,490 A * 12/1983 Ancona A01K 97/06
43/25.2
4,879,832 A 11/1989 Nelson
4,936,040 A * 6/1990 Reiter A01K 97/06
43/25.2
5,036,617 A 8/1991 Waldrip
5,199,208 A 4/1993 Matchette
D345,779 S * 4/1994 Baggett D22/134
5,475,942 A 12/1995 Tatum
D366,759 S * 2/1996 Christensen D3/260

(Continued)

1 Claim, 15 Drawing Sheets



(56)

References Cited

U.S. PATENT DOCUMENTS

D373,614	S	9/1996	Bevill	
D399,912	S *	10/1998	Kopp, III	D22/126
D405,499	S *	2/1999	Beauvais	D22/139
6,023,876	A	2/2000	Haddad et al.	
6,273,309	B1	8/2001	Oppelt	
D475,432	S *	6/2003	LaLande	D22/126
6,711,847	B1	3/2004	Udelhoven	
6,883,266	B1 *	4/2005	Valdivia Sr.	A01K 97/06 43/25.2
7,299,582	B1	11/2007	Whitehead	
D586,876	S	2/2009	Kern	
7,587,855	B2	9/2009	Konopa	
D663,378	S	7/2012	Osman	
D709,589	S	7/2014	Zebny	
D712,005	S	8/2014	De Luna	
D783,120	S	4/2017	Martin et al.	
D799,853	S *	10/2017	Cartledge	D6/518
D807,470	S *	1/2018	Lewis	D22/134
D846,692	S *	4/2019	Bryan	D22/134
D889,592	S *	7/2020	Penrod	D22/134
2004/0250462	A1 *	12/2004	Trebil	A01K 97/06 43/25.2
2009/0094881	A1 *	4/2009	Konopa	A01K 97/06 43/57.1
2012/0102814	A1	5/2012	Christensen	
2016/0037760	A1 *	2/2016	Melvin	A01K 97/06 43/25.2
2018/0317472	A1 *	11/2018	Moffett	A01K 97/06

OTHER PUBLICATIONS

The Hook Safe, <http://thehooksafe.com/> (last visited Jul. 15, 2020).

* cited by examiner

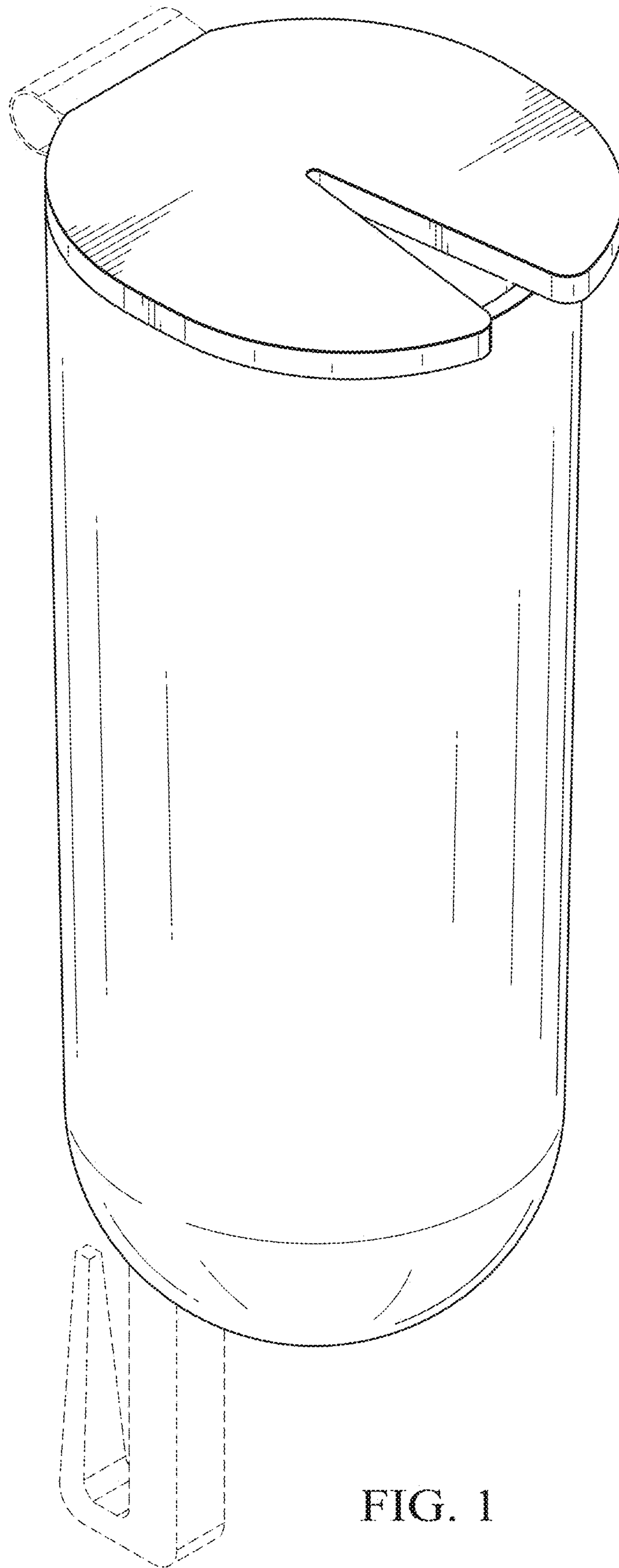


FIG. 1

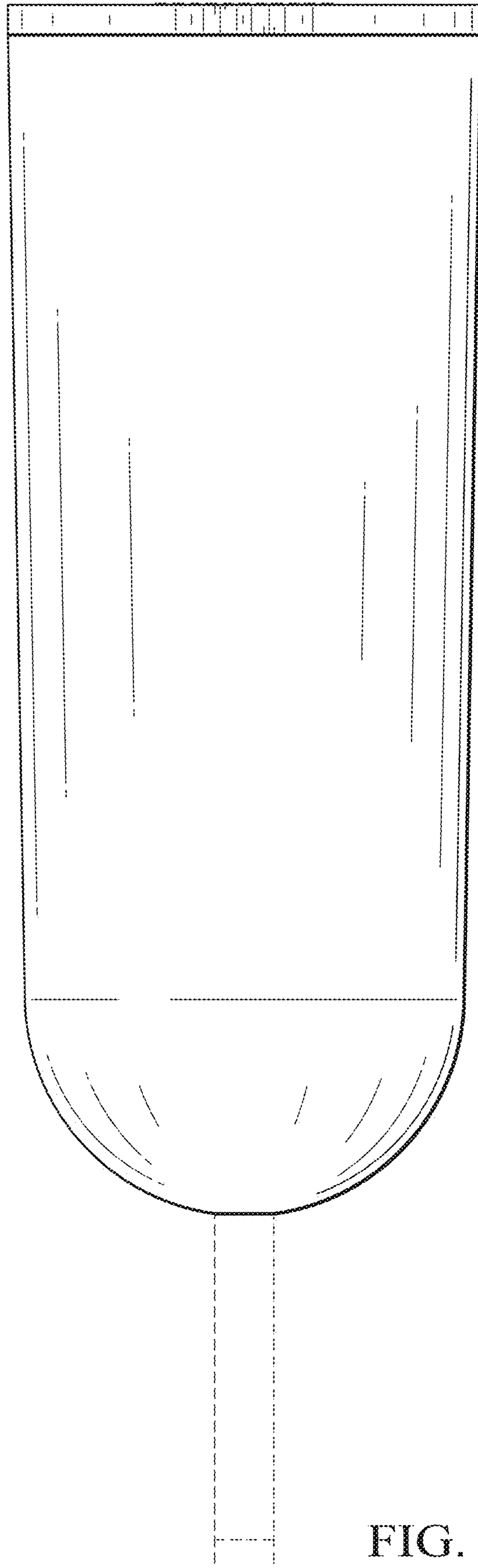


FIG. 2

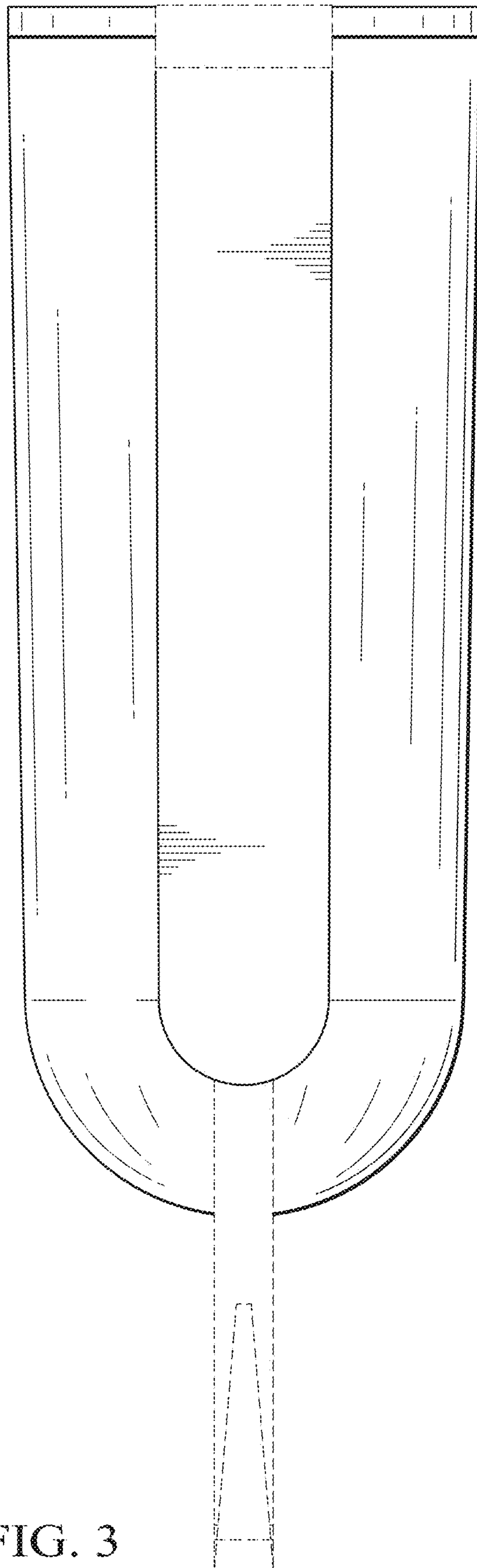


FIG. 3

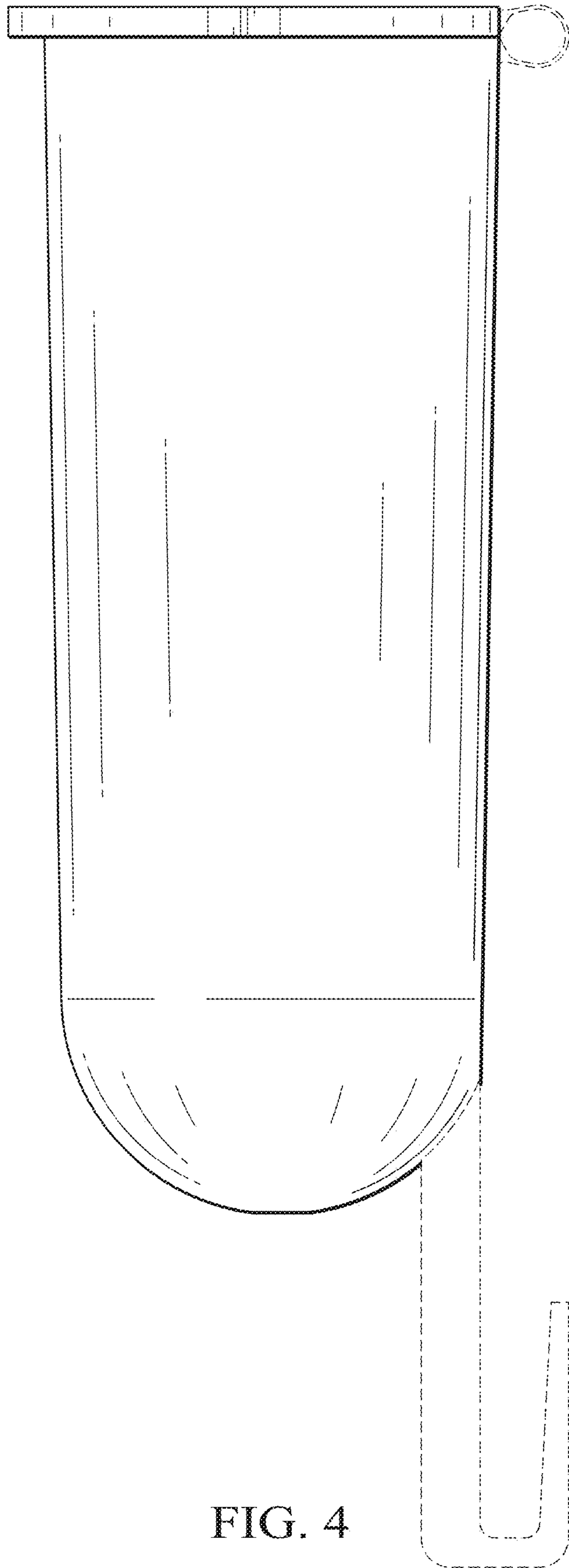


FIG. 4

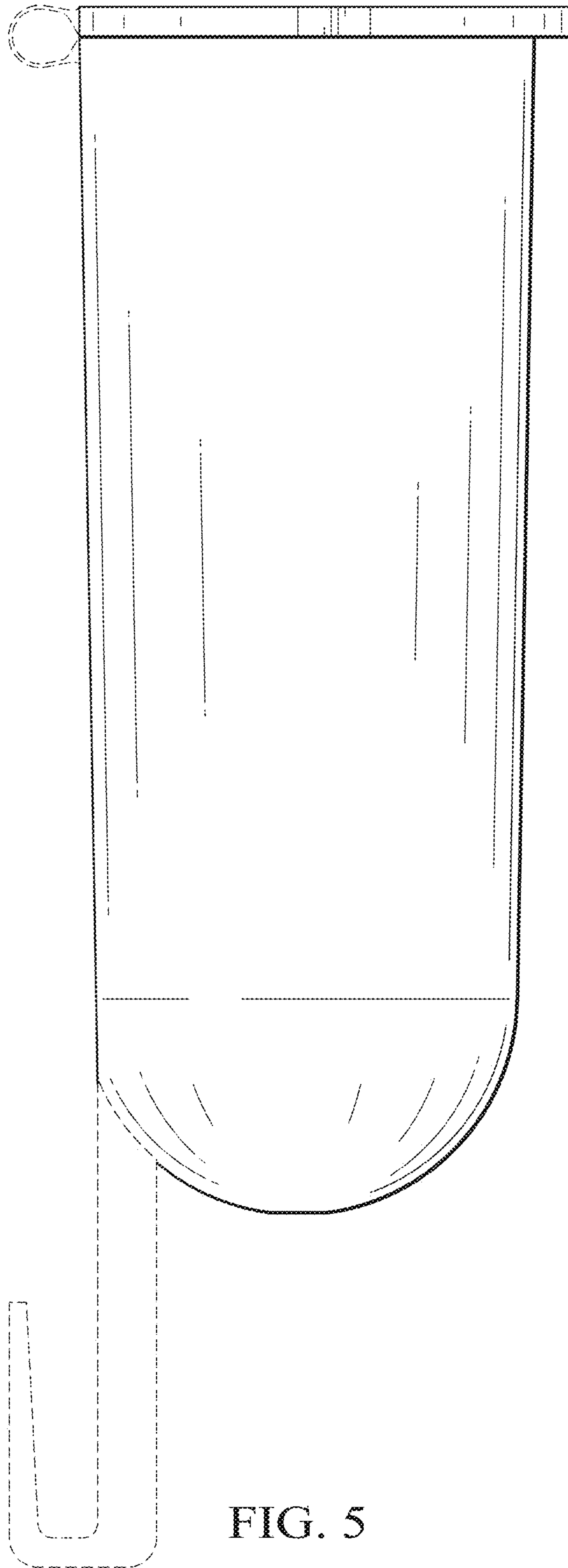


FIG. 5

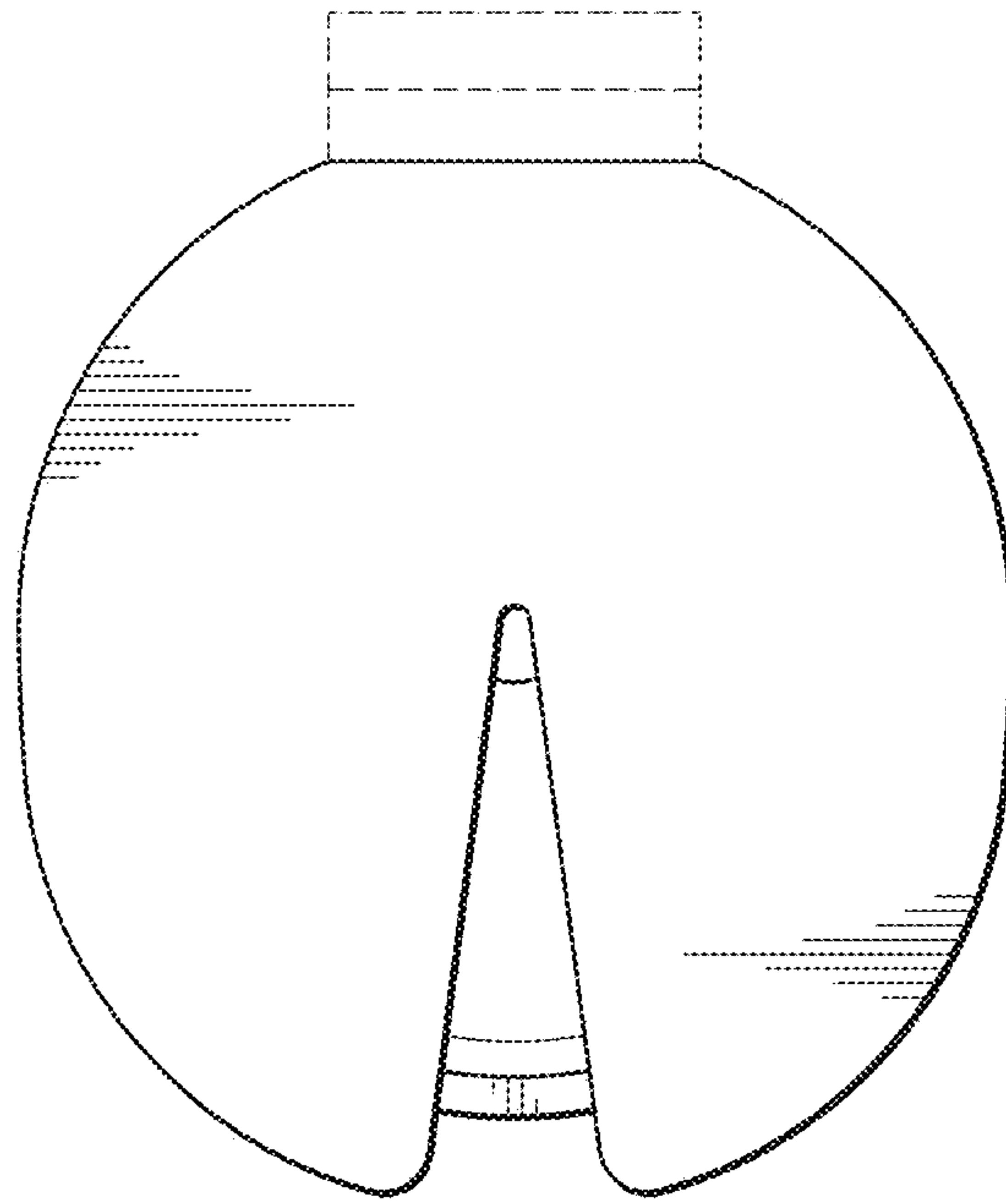


FIG. 6

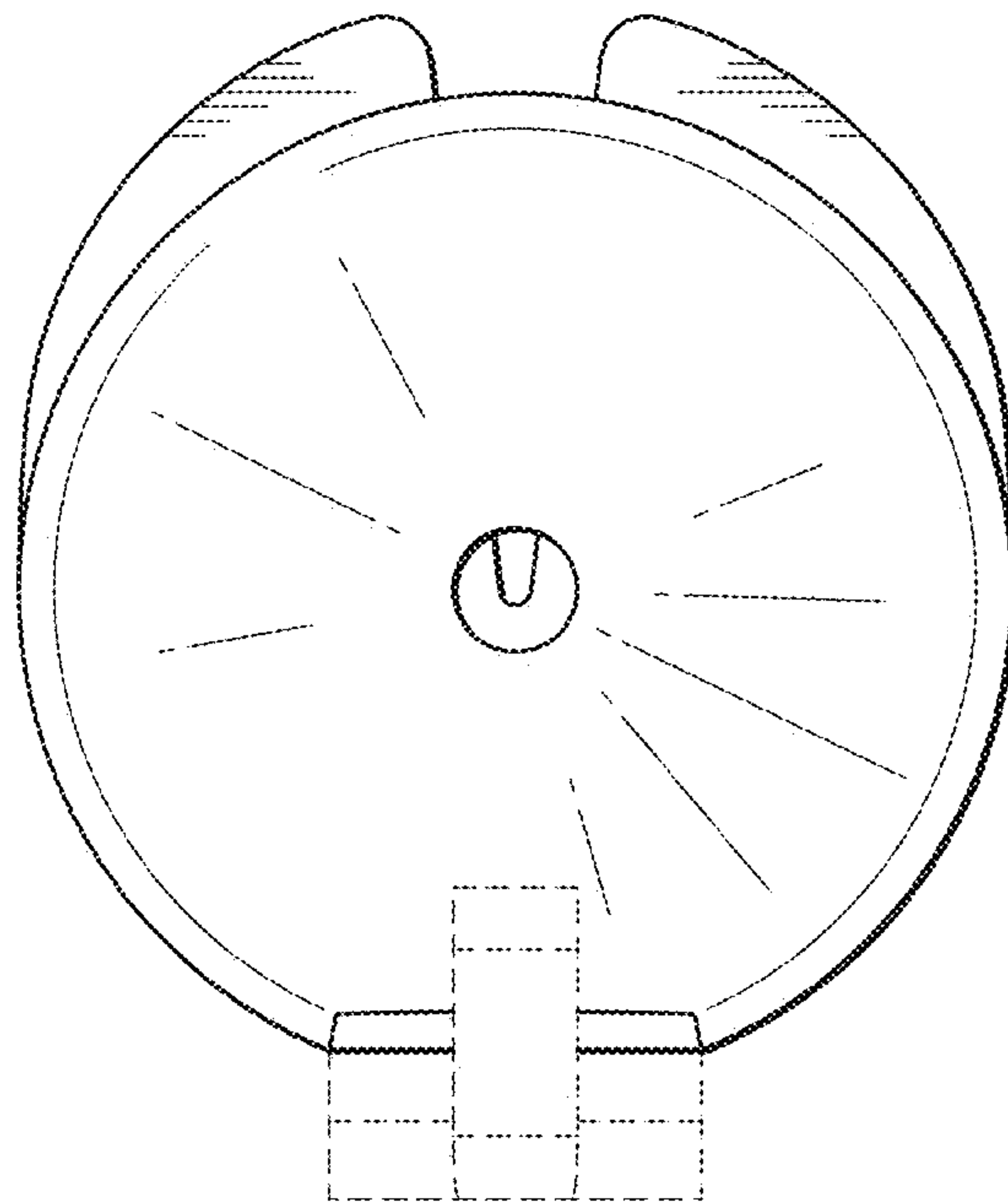


FIG. 7

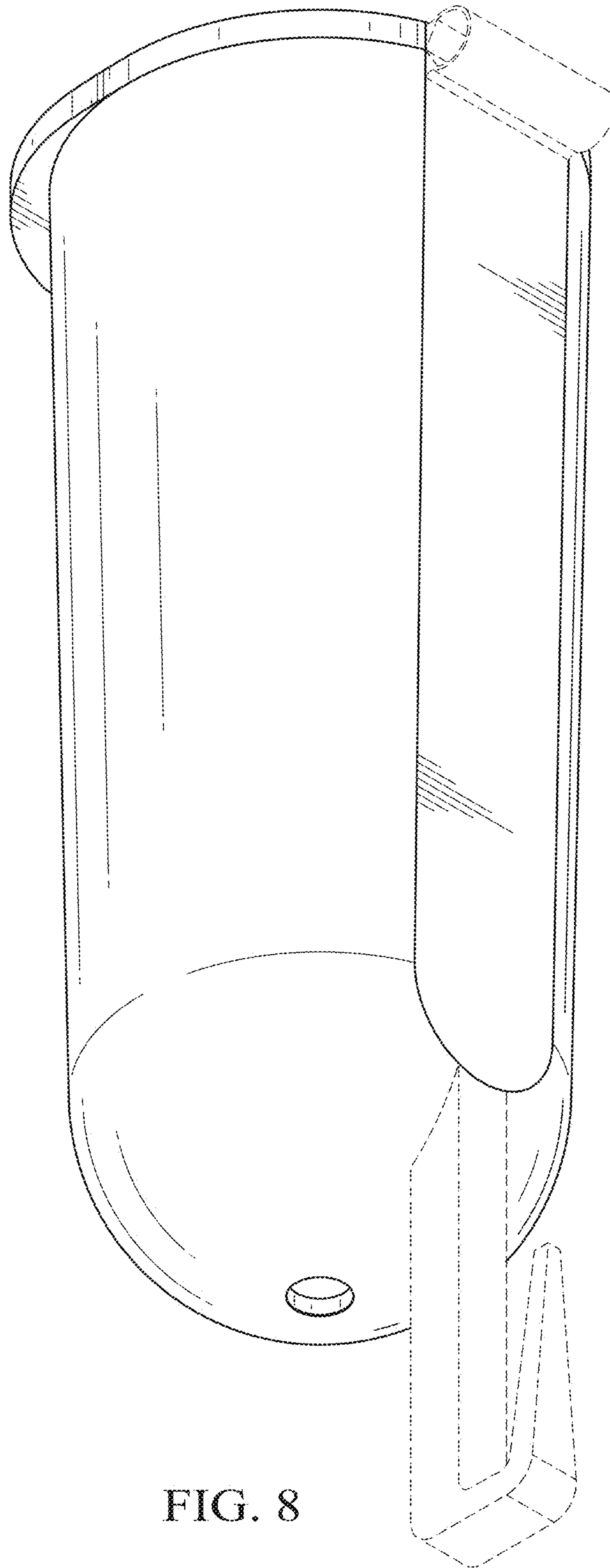


FIG. 8

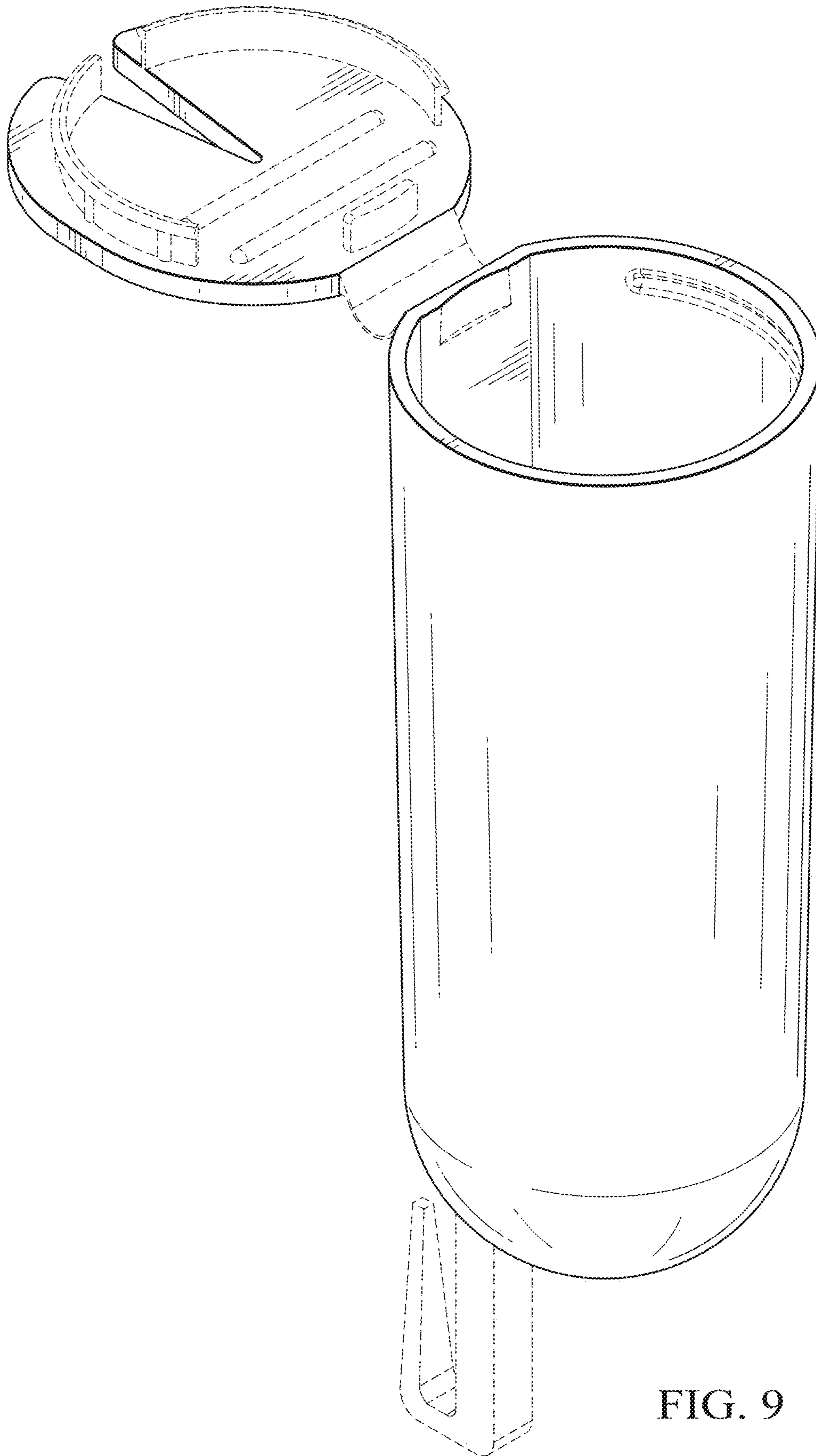


FIG. 9

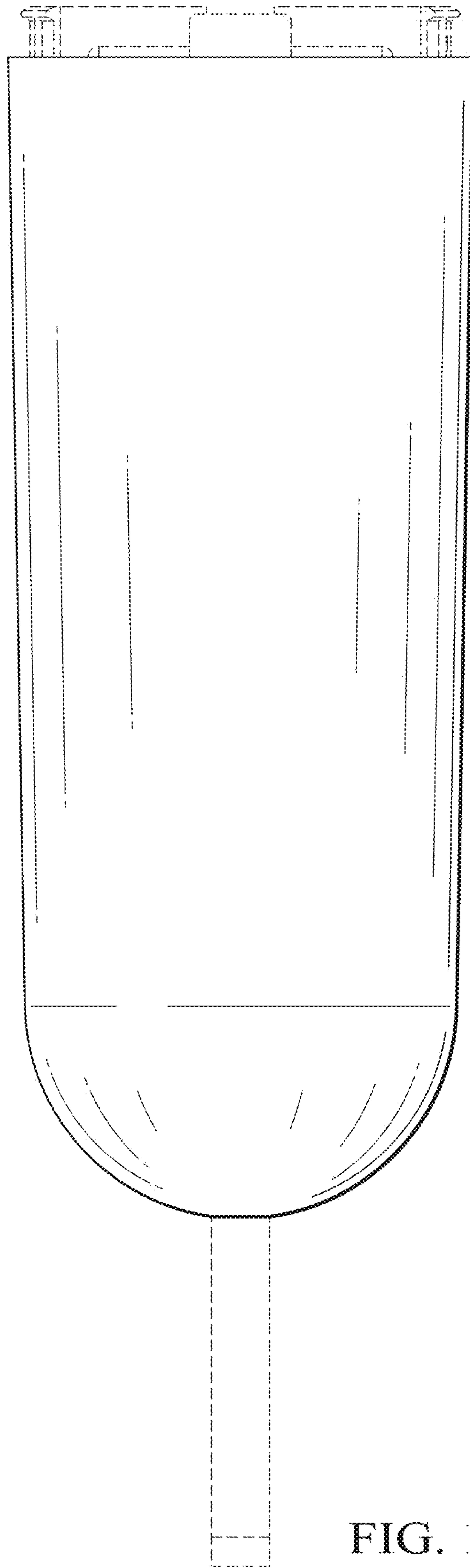


FIG. 10

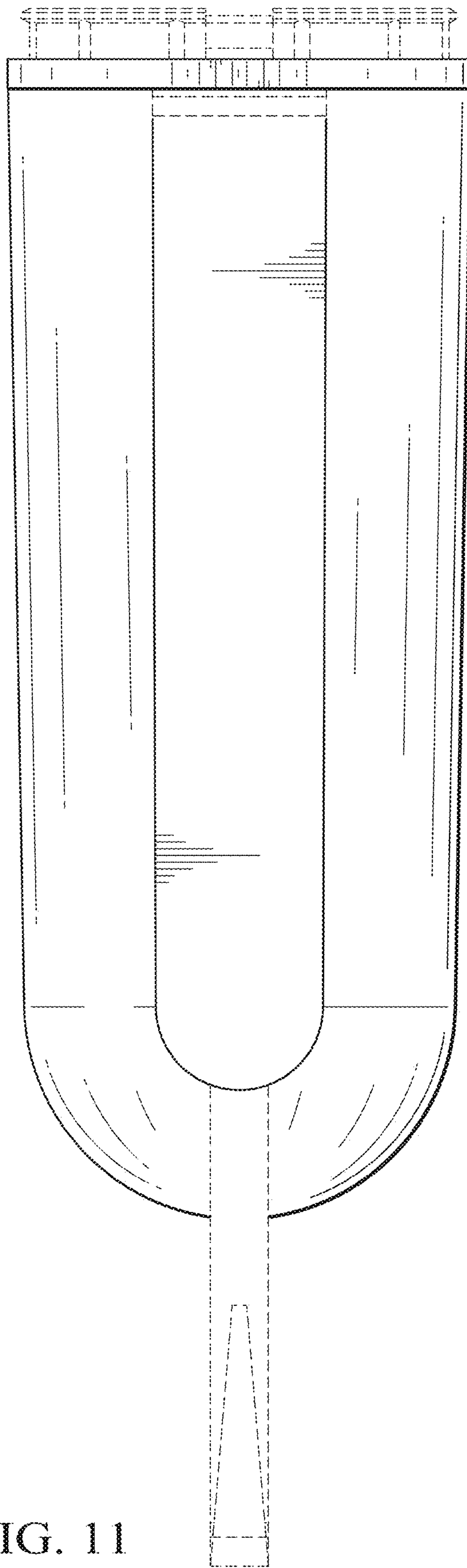


FIG. 11

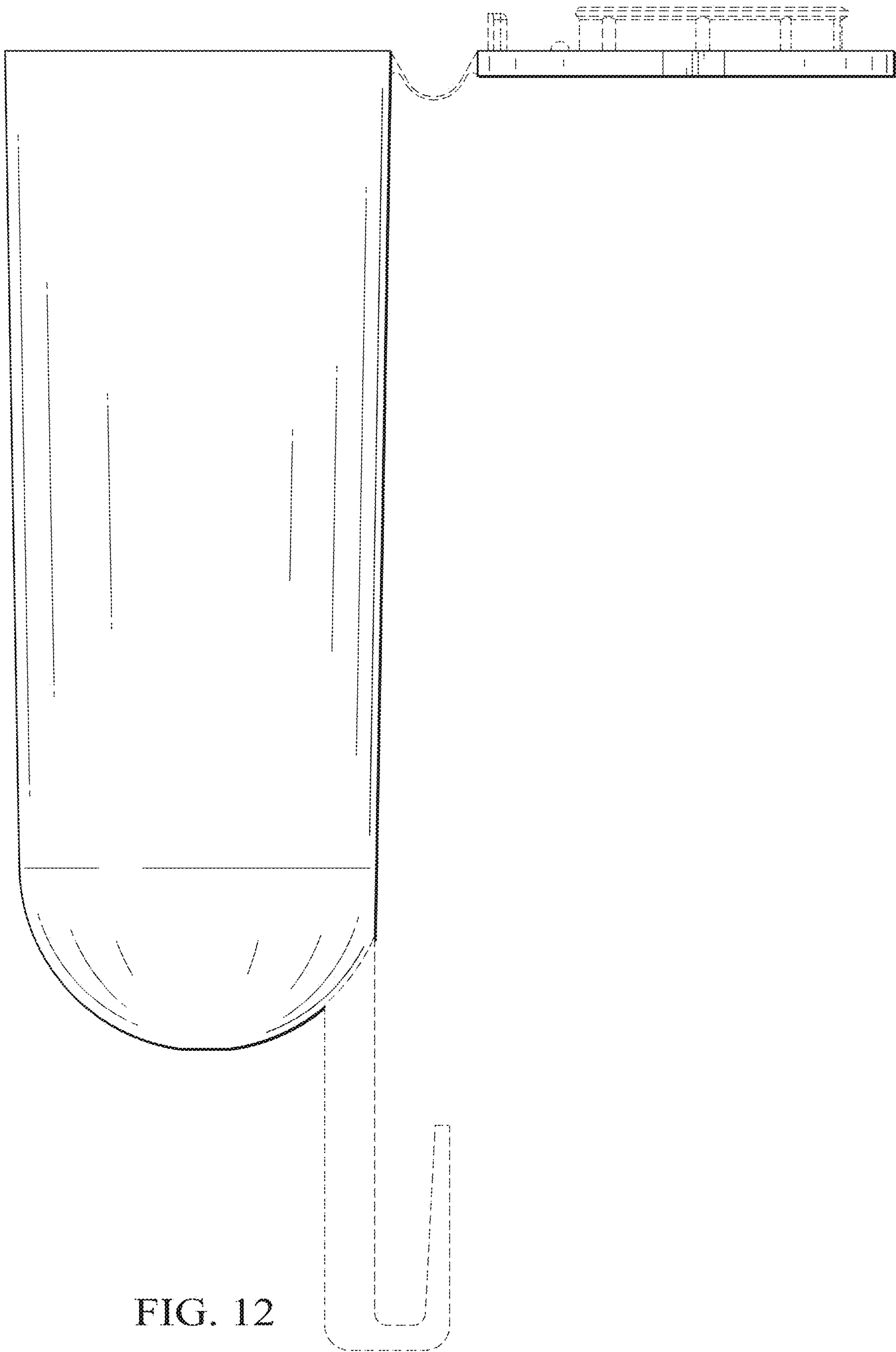


FIG. 12

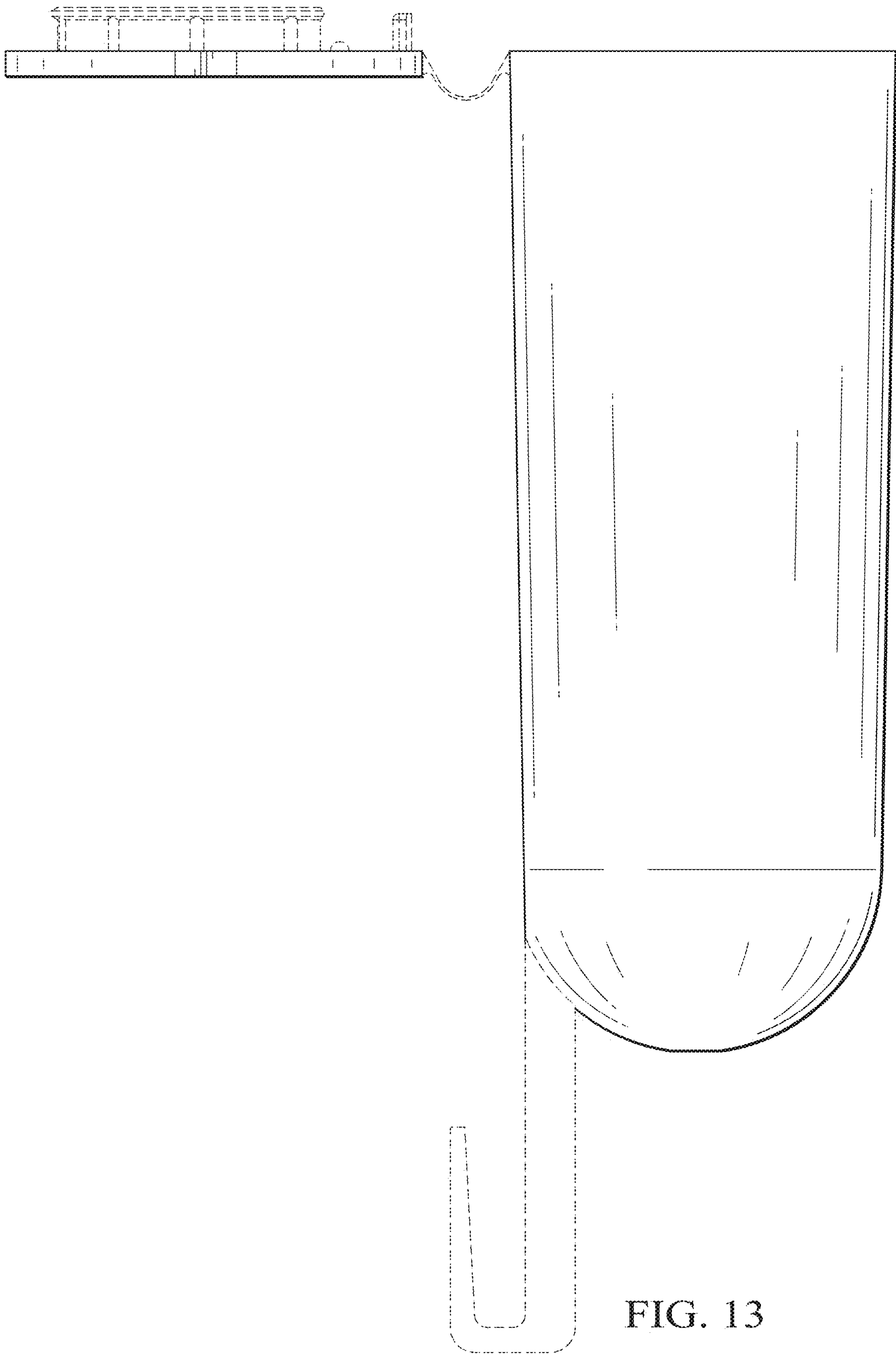


FIG. 13

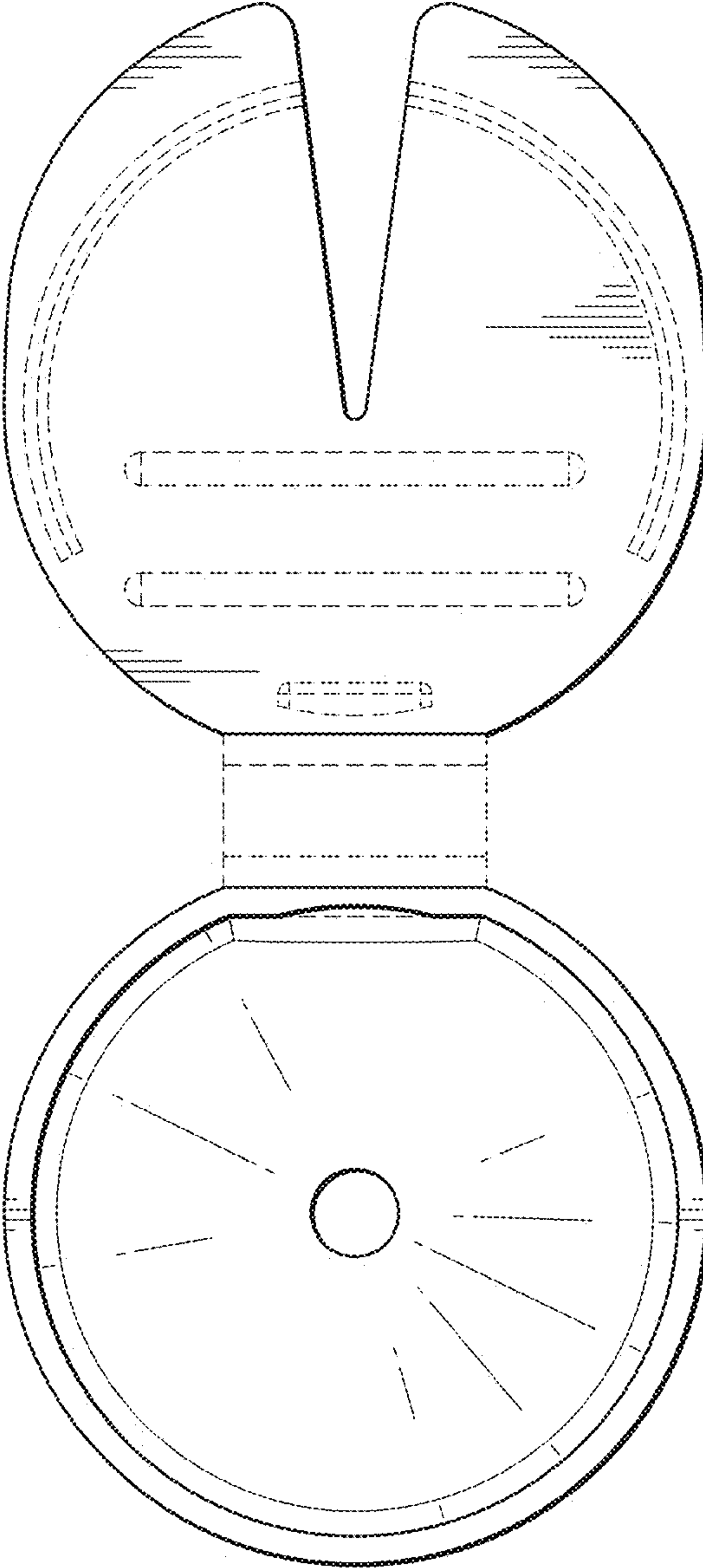


FIG. 14

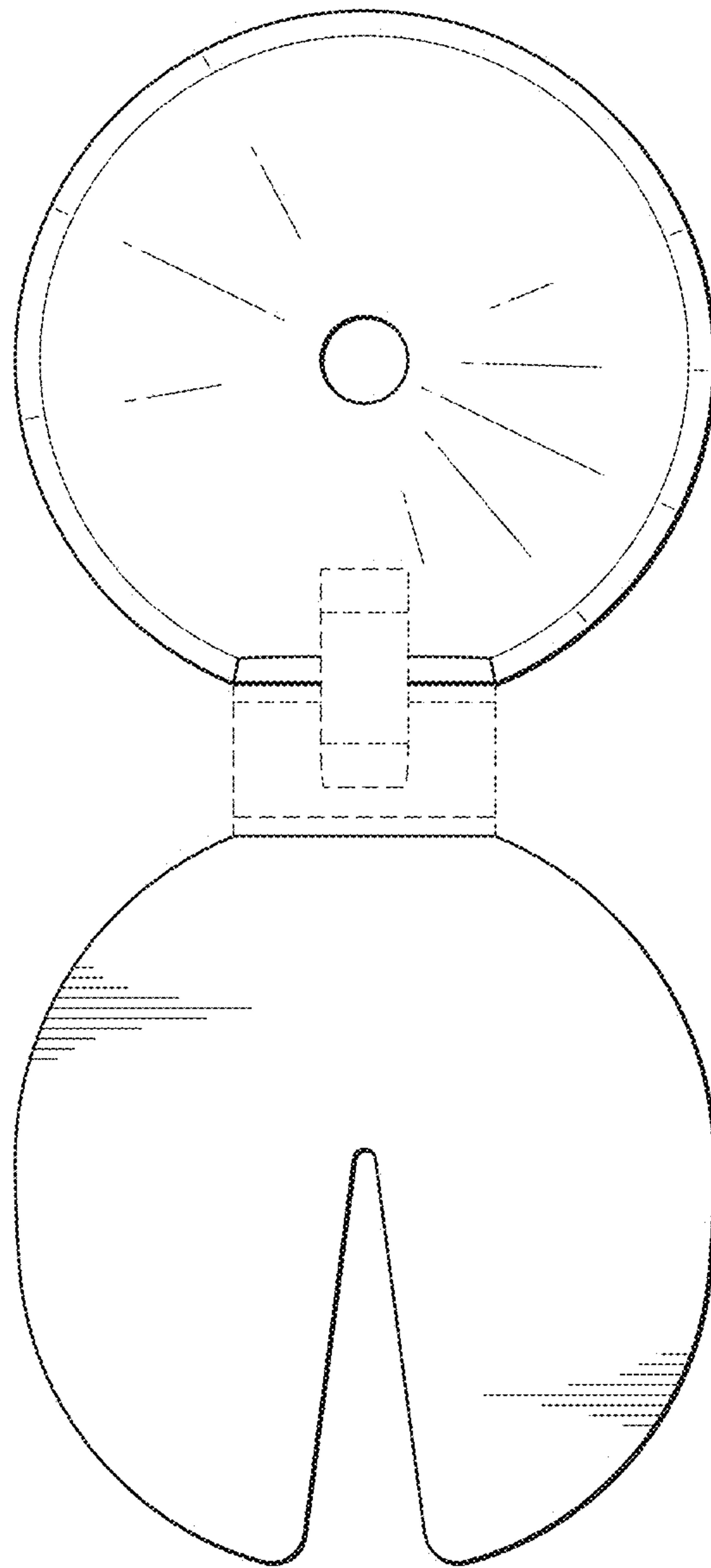


FIG. 15

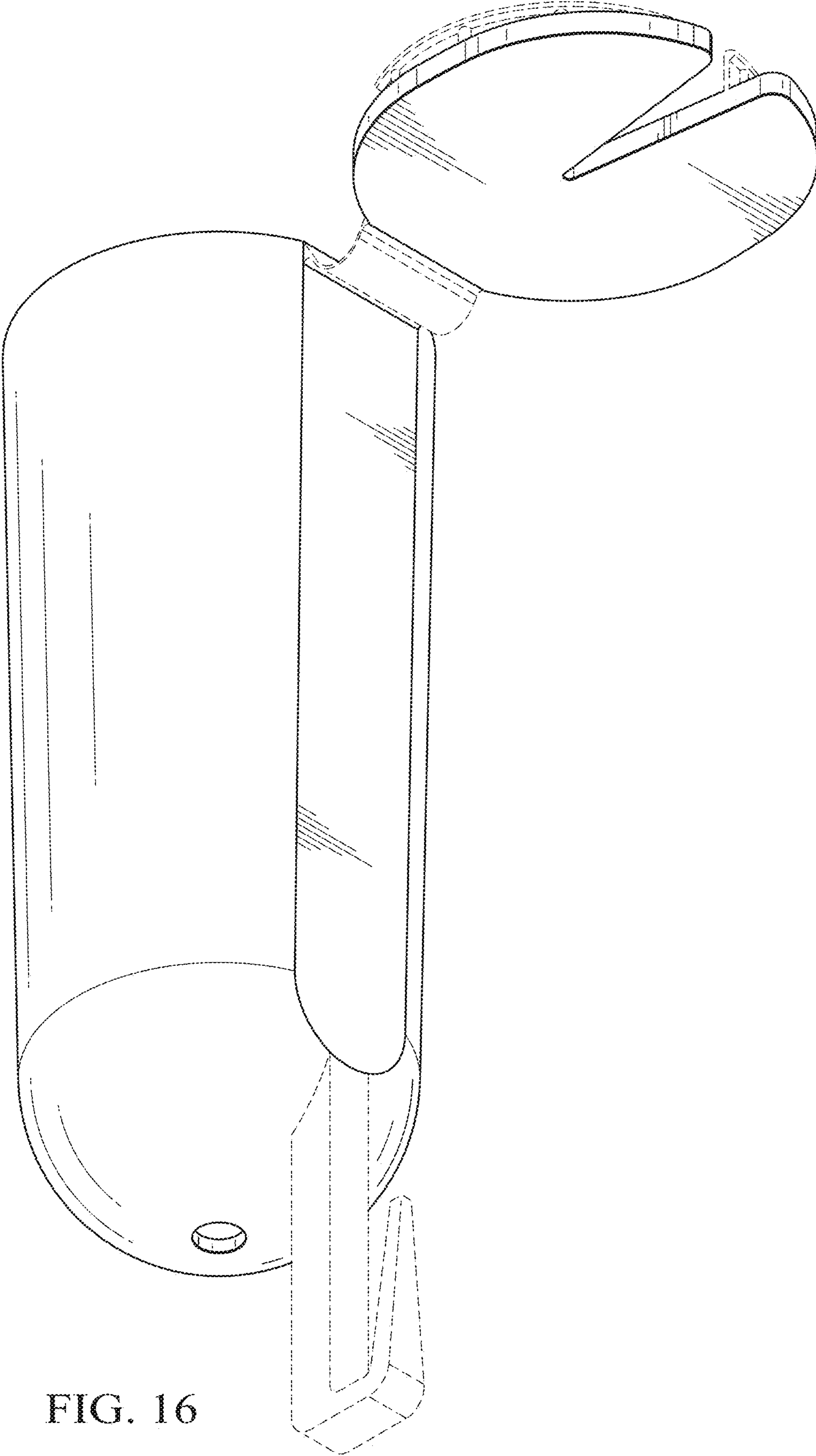


FIG. 16