



US00D944353S

(12) **United States Design Patent**
Sprandel

(10) **Patent No.:** **US D944,353 S**

(45) **Date of Patent:** **** Feb. 22, 2022**

(54) **DECOY**

(71) Applicant: **Harry Sprandel**, Corry, PA (US)

(72) Inventor: **Harry Sprandel**, Corry, PA (US)

(**) Term: **15 Years**

(21) Appl. No.: **29/731,754**

(22) Filed: **Apr. 17, 2020**

(51) **LOC (13) Cl.** **22-05**

(52) **U.S. Cl.**
USPC **D22/125**

(58) **Field of Classification Search**
USPC D22/125
CPC A01M 31/00; A01M 31/06; A01M 31/025;
F16B 1/00; F16B 21/26; F16B 2/08;
F16B 11/08; F16B 11/38; G08C 17/02
See application file for complete search history.

(56) **References Cited**

U.S. PATENT DOCUMENTS

D138,600 S *	8/1944	Ringler	D22/125
2,483,680 A *	10/1949	Timm	A01M 31/06
				43/3
2,816,383 A *	12/1957	Locher	A01M 31/06
				43/3
D229,306 S *	11/1973	McGraw	D22/125
				(Continued)

OTHER PUBLICATIONS

Vintage Paper Mache Canadian Goose Decoy . . . <https://www.proxibid.com/Vintage-Paper-Mache-Canadian-Goose-Decoy/lotInformation/52715691> (Year: 2021).*

(Continued)

Primary Examiner — Catherine R Oliver-Garcia

(74) *Attorney, Agent, or Firm* — The Bilicki Law Firm, P.C.; Carl A. Hjort, III

(57) **CLAIM**

The ornamental design for a decoy, as shown and described.

DESCRIPTION

FIG. 1 shows left side and top perspective views of the constituent parts of a first embodiment of a decoy according to the present design, the right side and bottom images being mirror images thereof;

FIG. 2 is a partially assembled top perspective view of a first embodiment of a decoy according to the present design;

FIG. 3 is an assembled front view of a first embodiment of a decoy according to the present design;

FIG. 4 is an assembled rear view of a first embodiment of a decoy according to the present design;

FIG. 5 is an assembled left side view of a first embodiment of a decoy according to the present design;

FIG. 6 is an assembled right side view of a first embodiment of a decoy according to the present design;

FIG. 7 is an assembled top view of a first embodiment of a decoy according to the present design.

FIG. 8 is an assembled bottom view of a first embodiment of a decoy according to the present design;

FIG. 9 is an assembled top left perspective view of a second embodiment of a decoy according to the present design;

FIG. 10 is an assembled front view of a second embodiment of a decoy according to the present design;

FIG. 11 is an assembled rear view of a second embodiment of a decoy according to the present design;

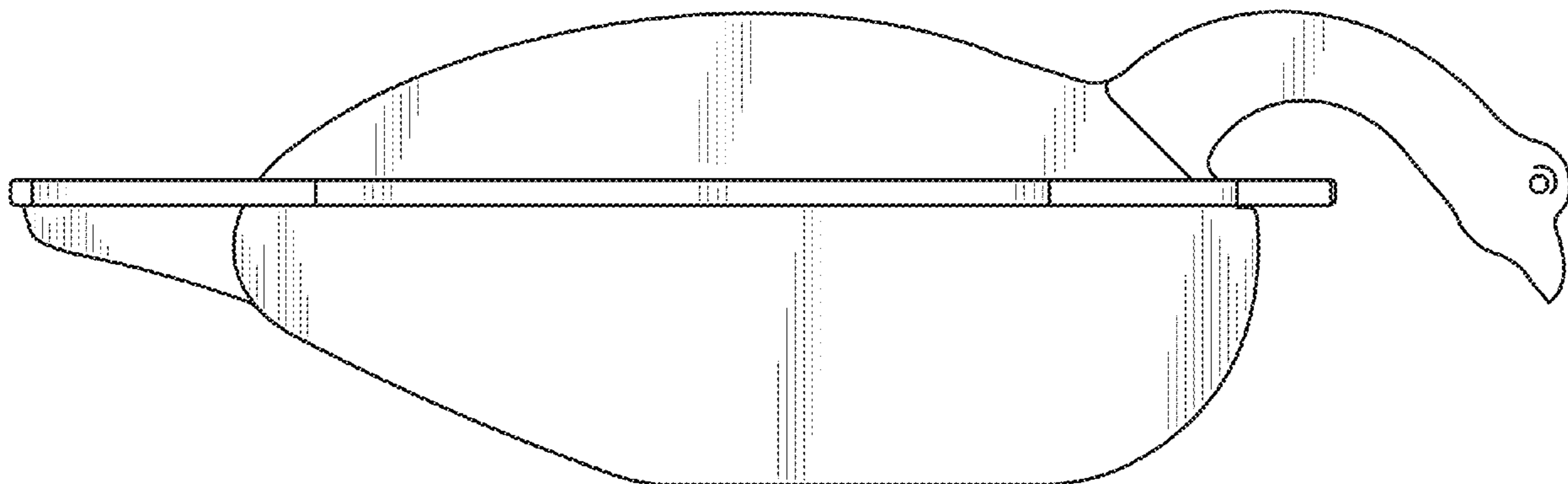
FIG. 12 is an assembled left side view of a second embodiment of a decoy according to the present design;

FIG. 13 is an assembled right side view of a second embodiment of a decoy according to the present design;

FIG. 14 is an assembled top view of a second embodiment of a decoy according to the present design; and,

FIG. 15 is an assembled bottom view of a second embodiment of a decoy according to the present design.

1 Claim, 15 Drawing Sheets



(56)

References Cited

U.S. PATENT DOCUMENTS

4,893,428 A * 1/1990 Gagnon, Sr. A01M 31/06
43/3
D358,862 S * 5/1995 Chaffin D22/125
D404,791 S * 1/1999 Swiecki D22/125
D475,759 S * 6/2003 Salato A01M 31/06
D22/125
D774,161 S * 12/2016 Stirling D22/125
D794,155 S * 8/2017 Buckway D22/125
D861,826 S * 10/2019 Essary D22/125
D869,599 S * 12/2019 Russell D22/125
2002/0162268 A1 * 11/2002 Fulcher A01M 31/06
43/3

OTHER PUBLICATIONS

1930s Cedar Plank Wooden Duck . . . [https://www.chairish.com/
product/3010758/1930s-cedar-plank-wooden-duck-decoy](https://www.chairish.com/product/3010758/1930s-cedar-plank-wooden-duck-decoy) (Year: 1930).*

* cited by examiner

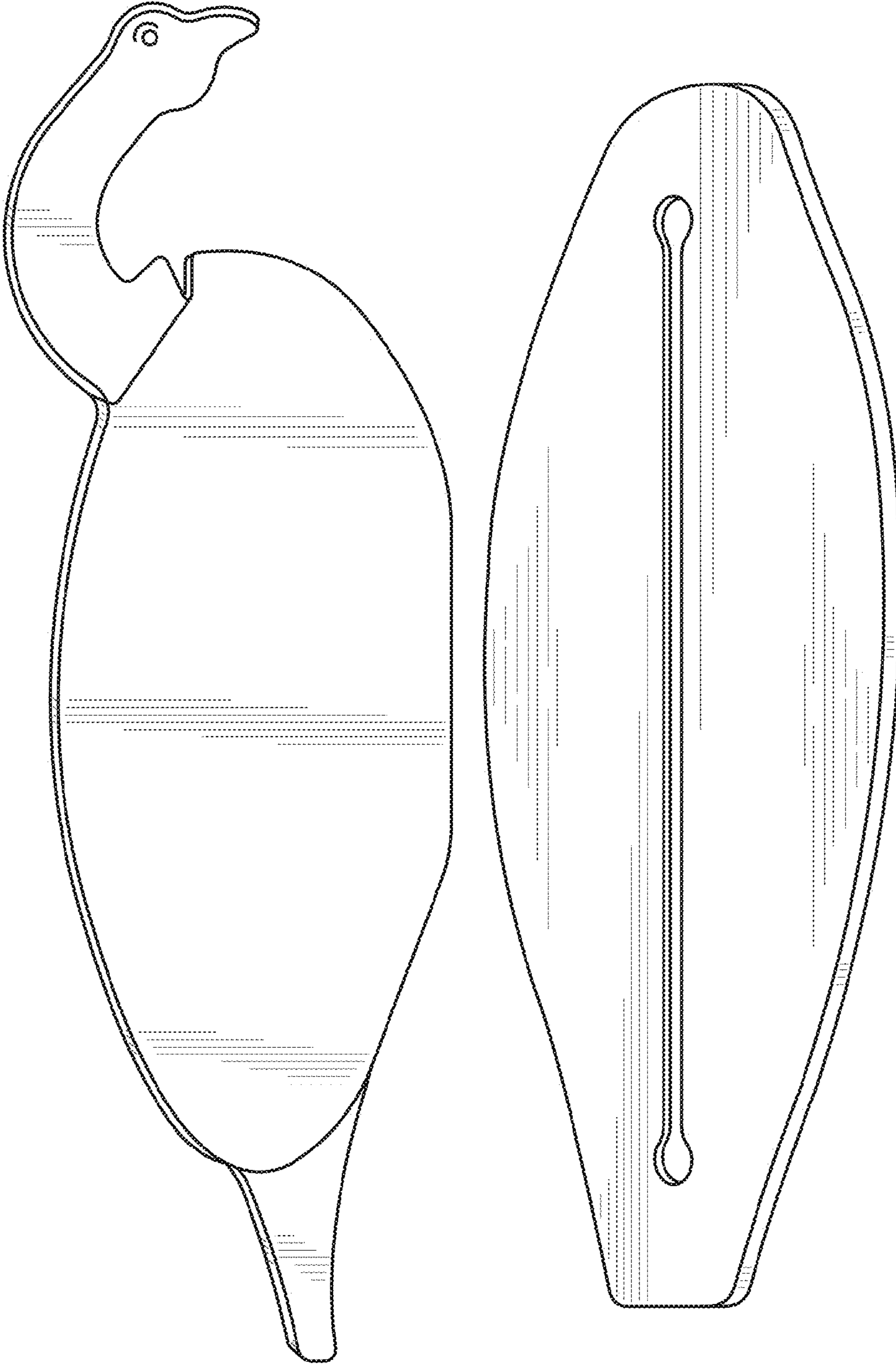


FIG. 1

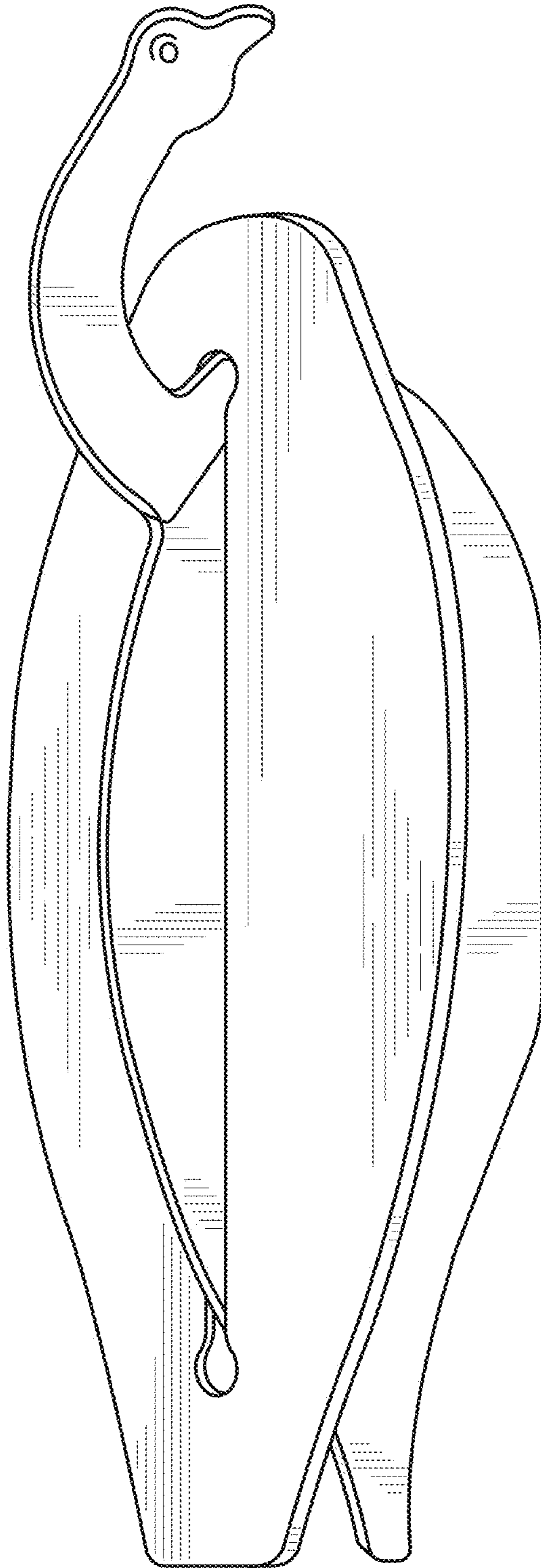


FIG. 2

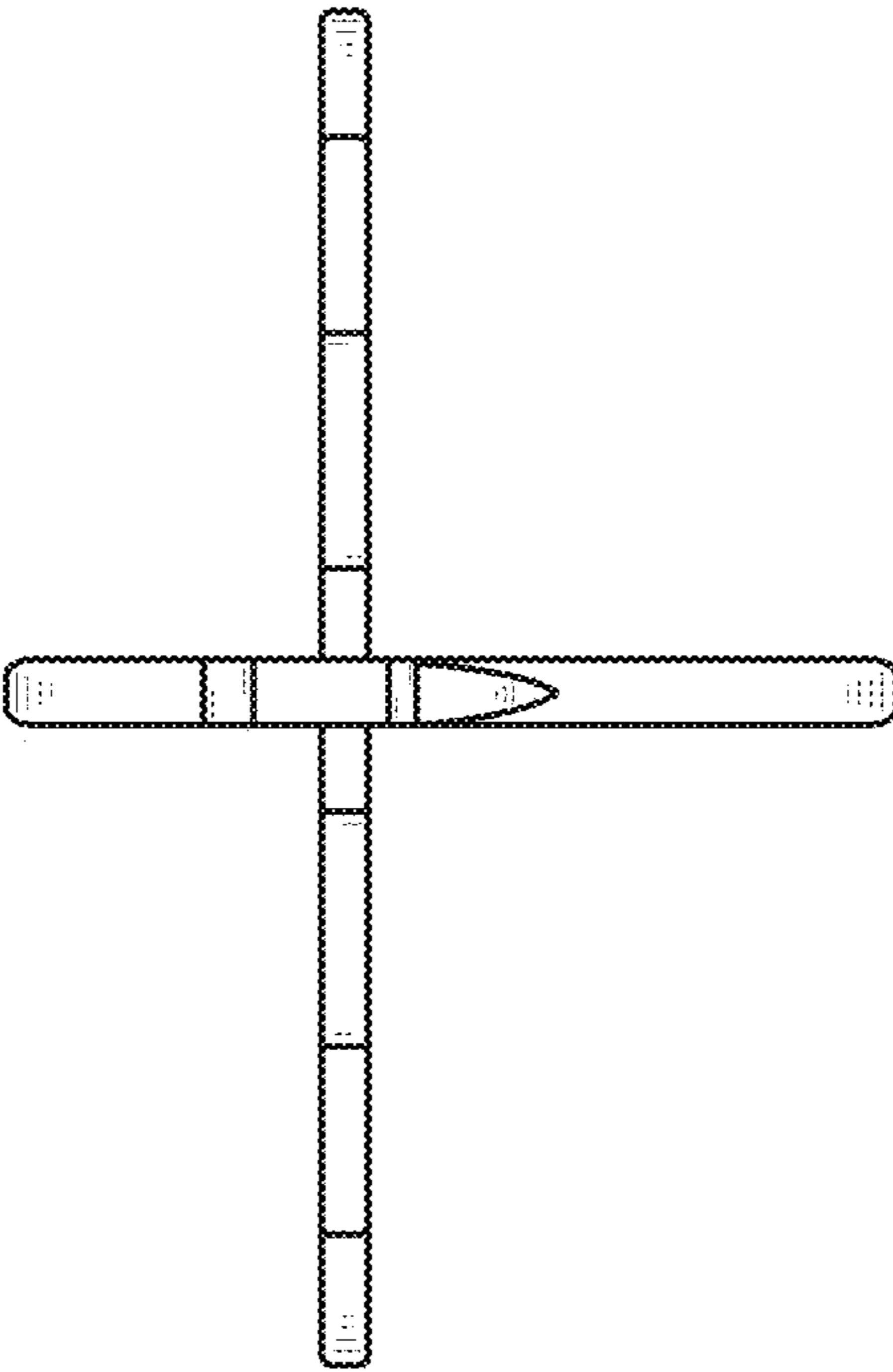


FIG. 3

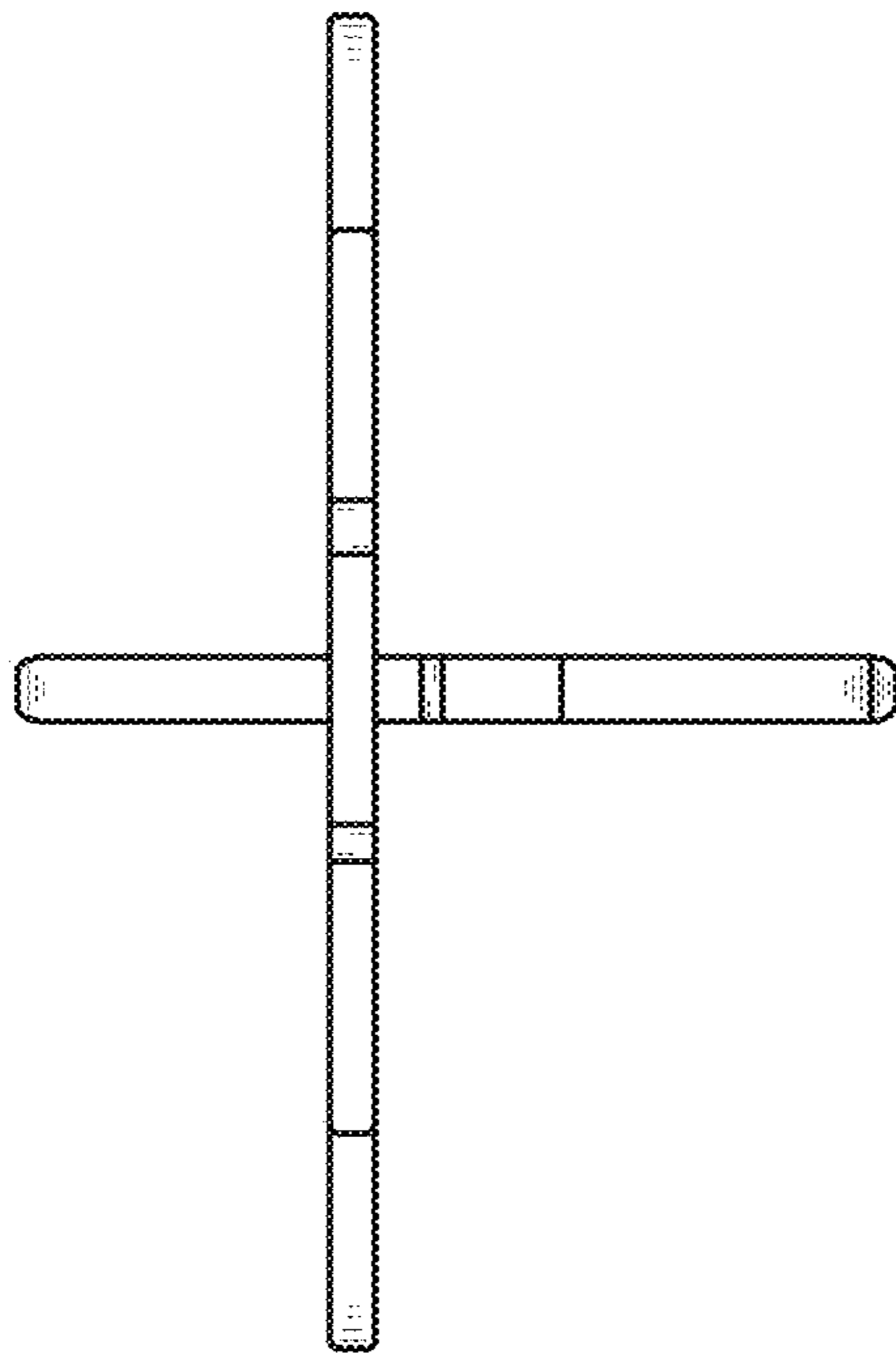


FIG. 4

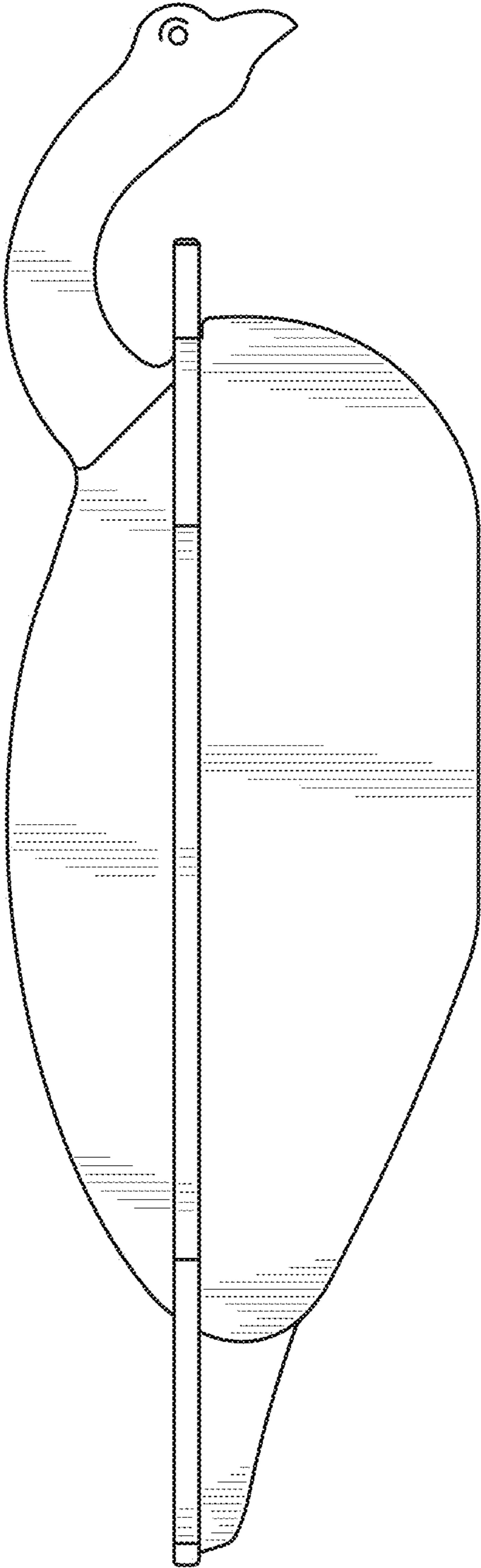


FIG. 5

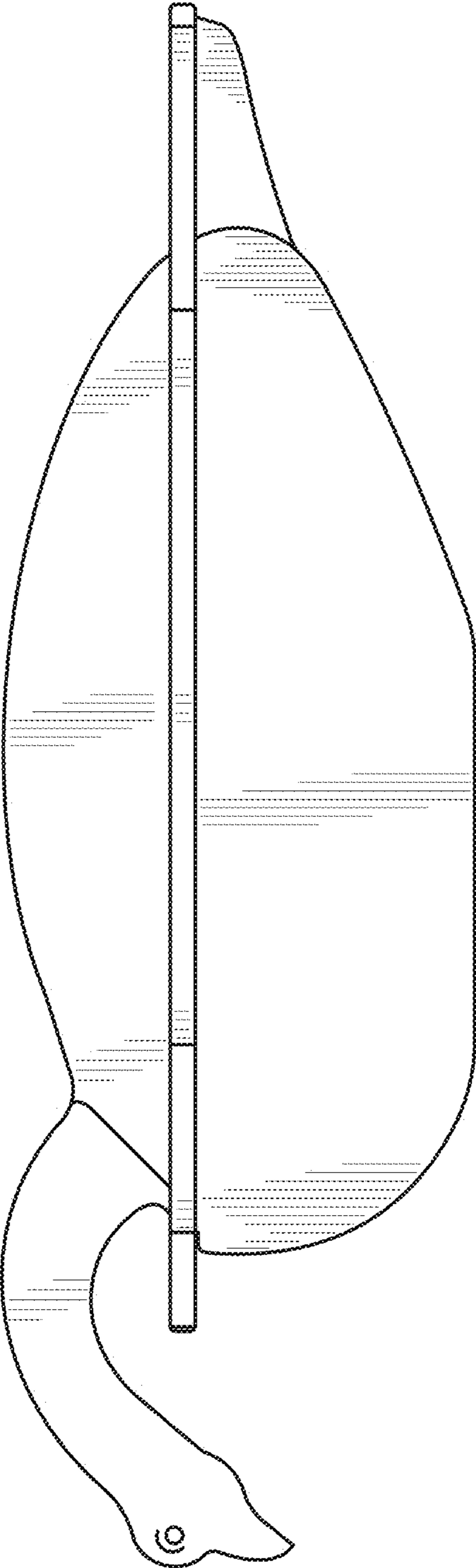


FIG. 6

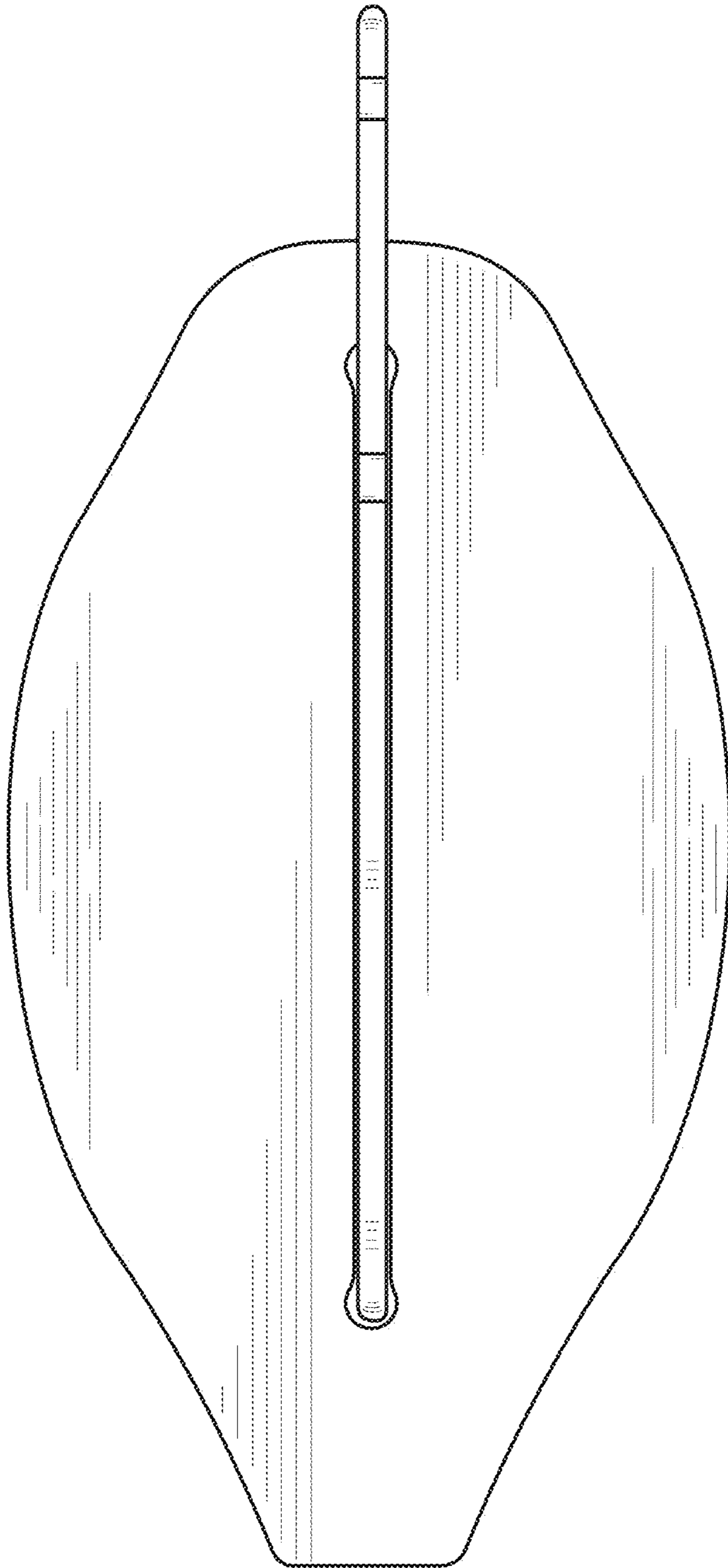


FIG. 7

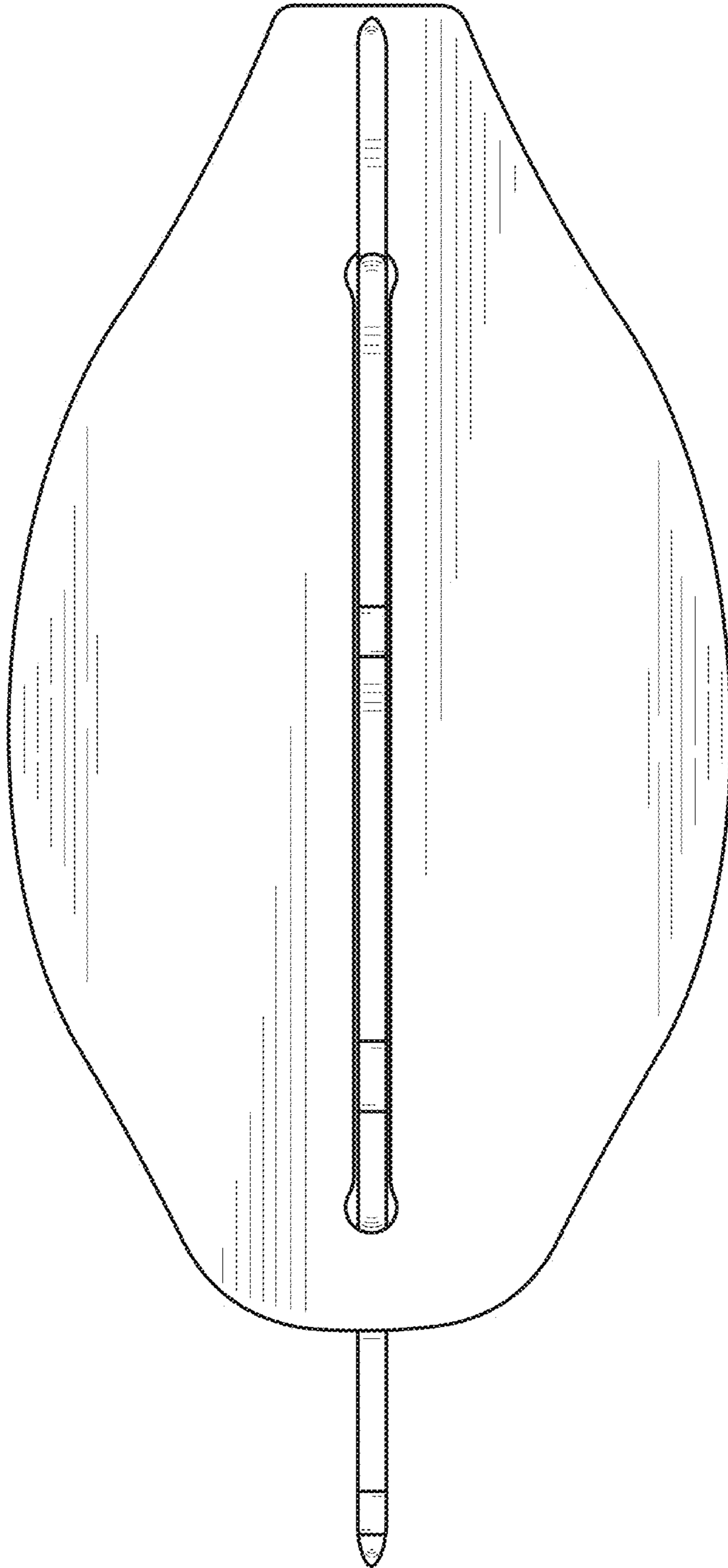


FIG. 8

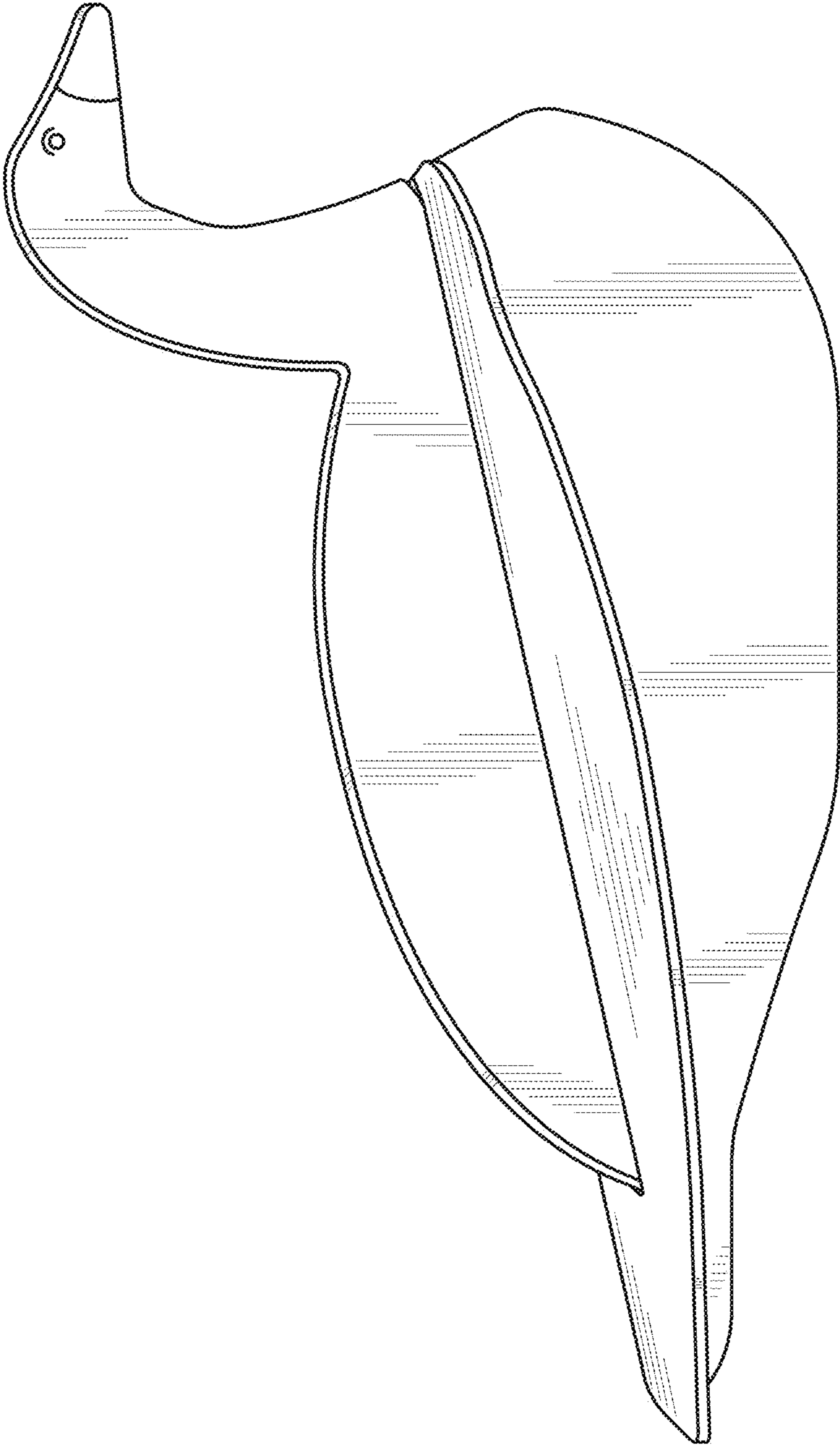


FIG. 9

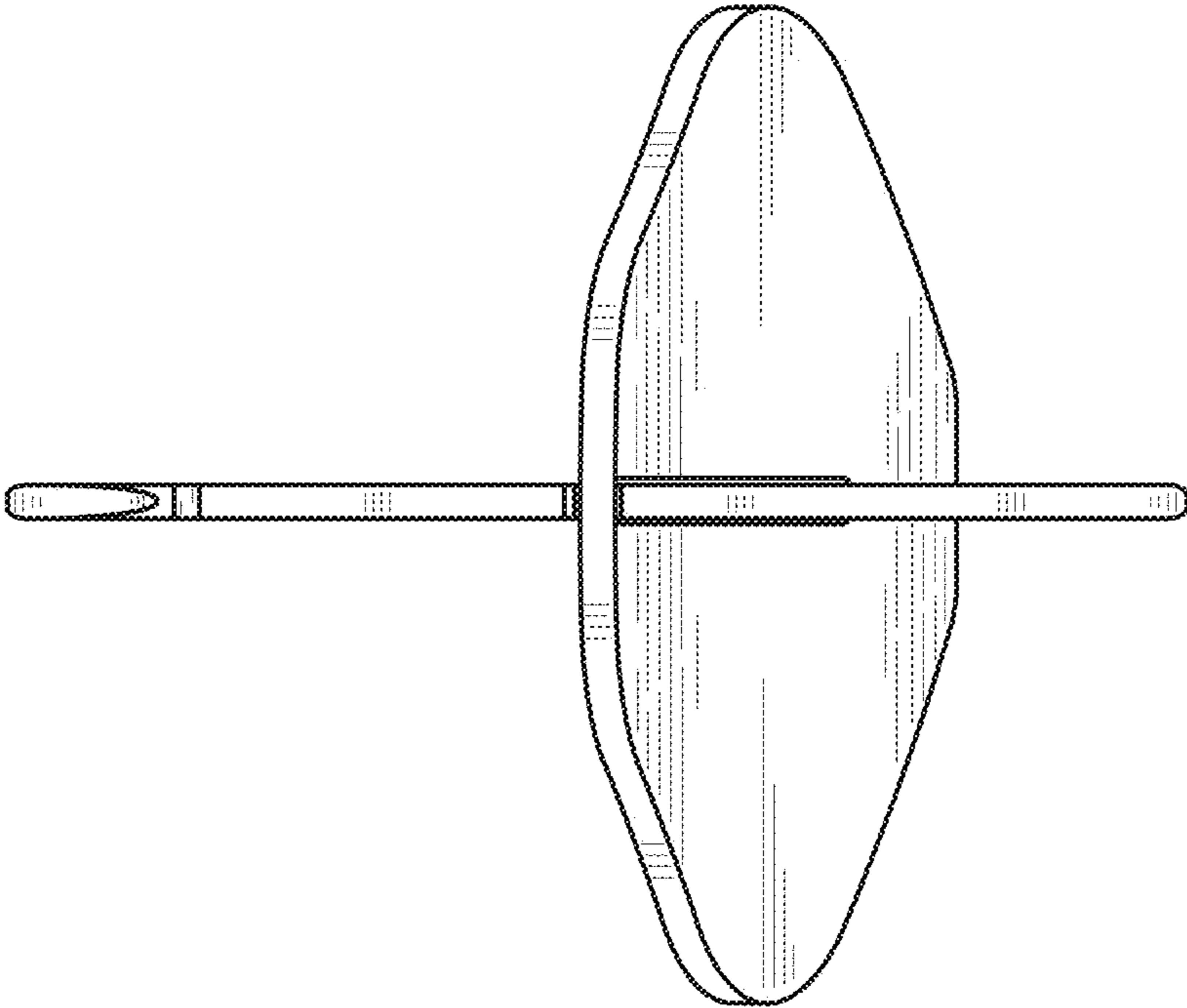


FIG. 10

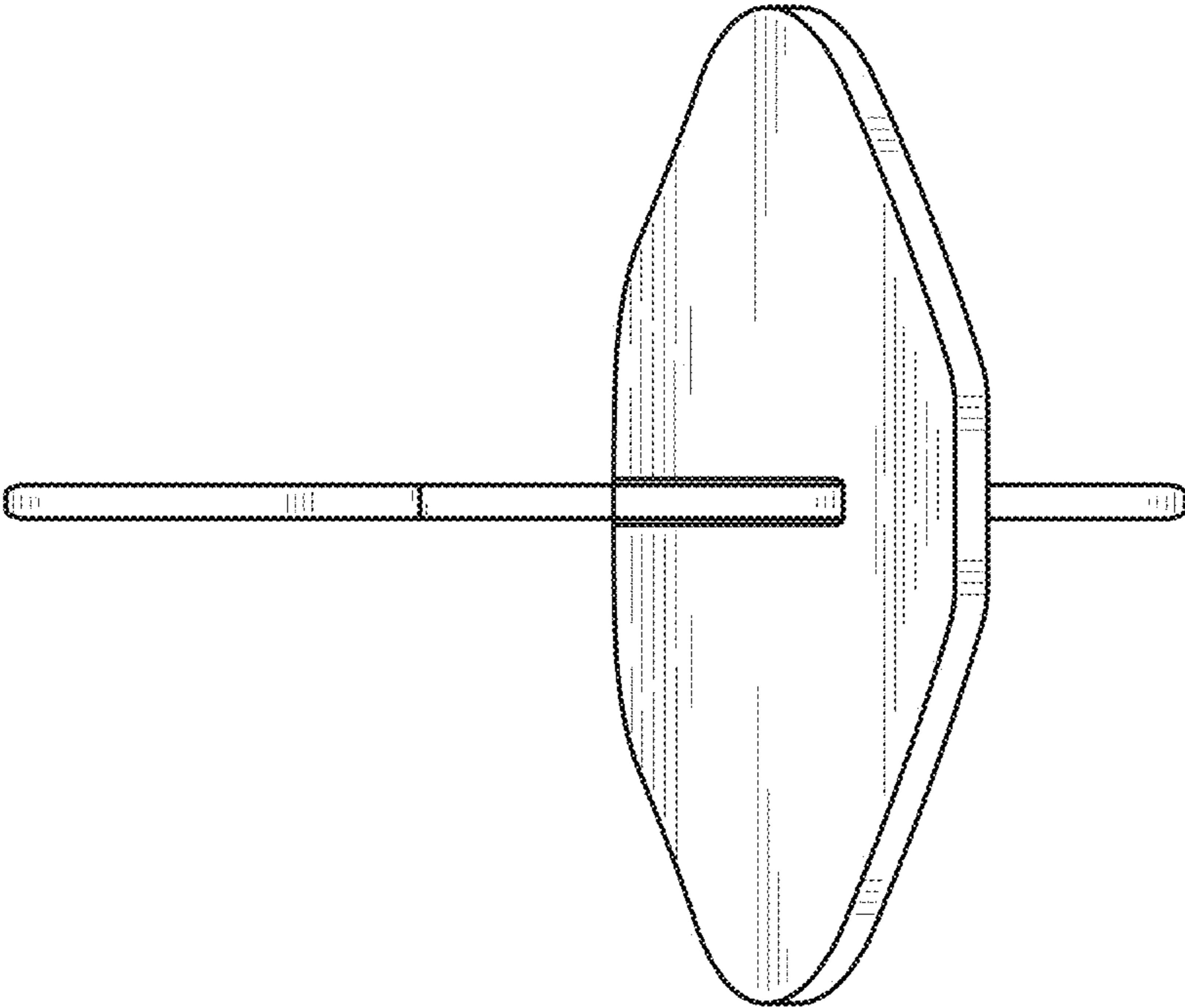


FIG. 11

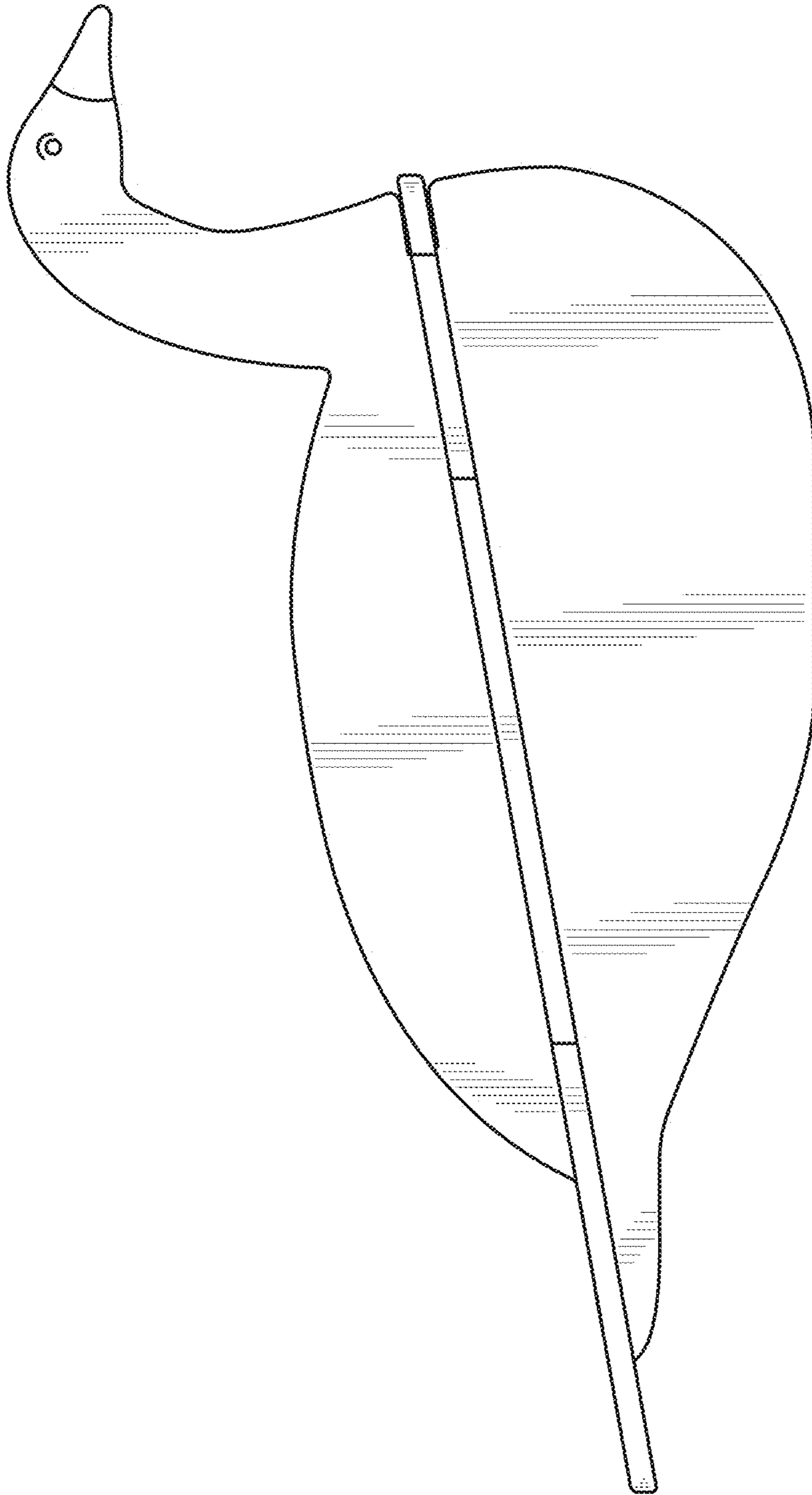


FIG. 12

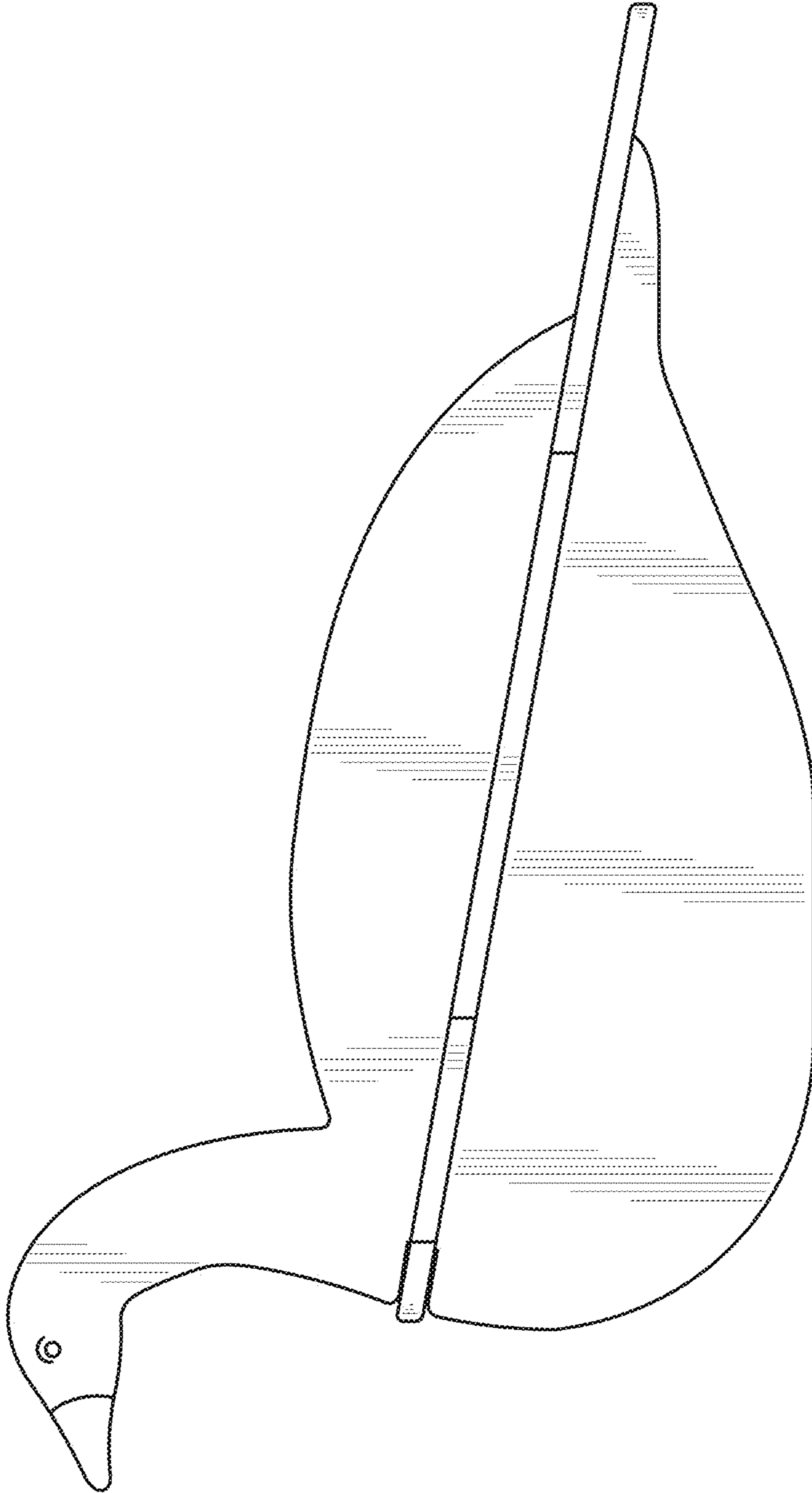


FIG. 13

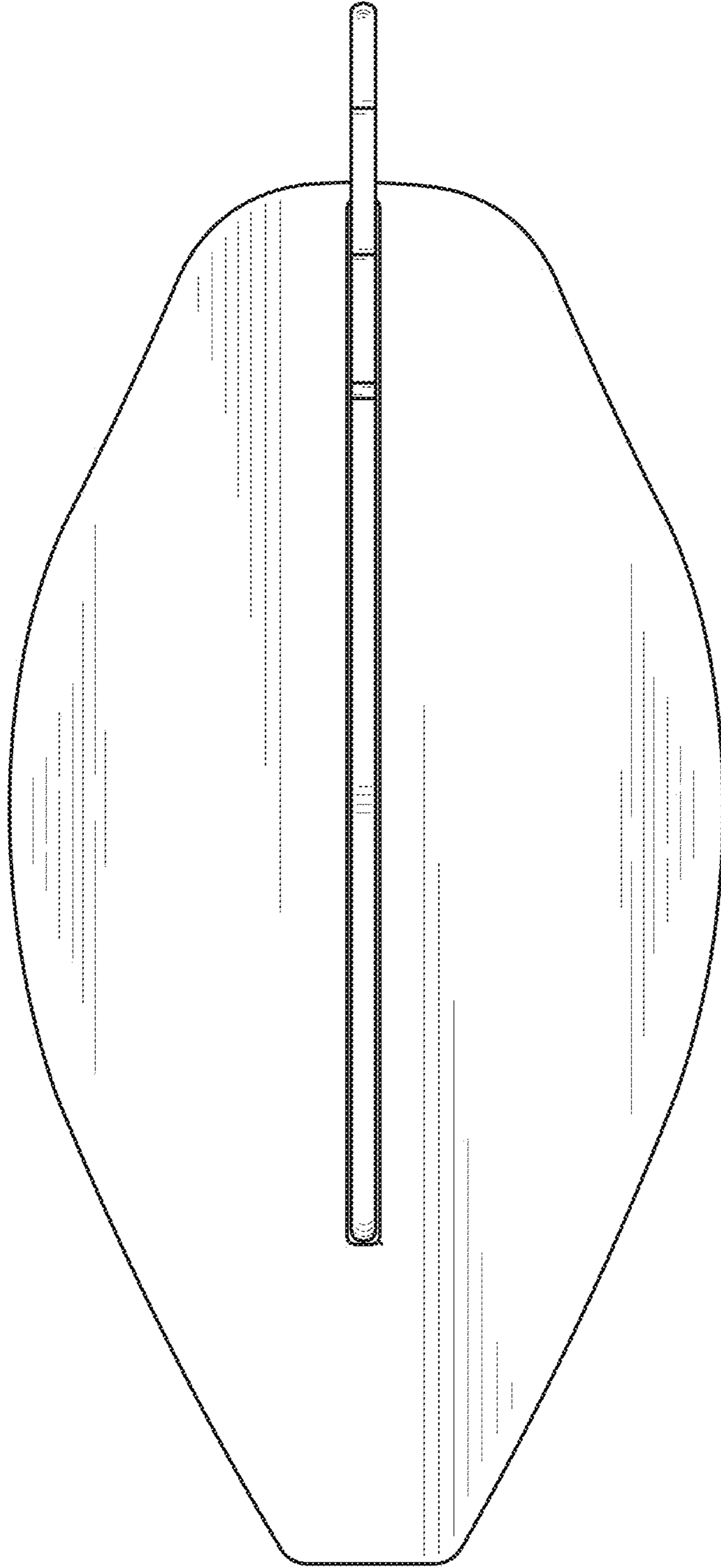


FIG. 14

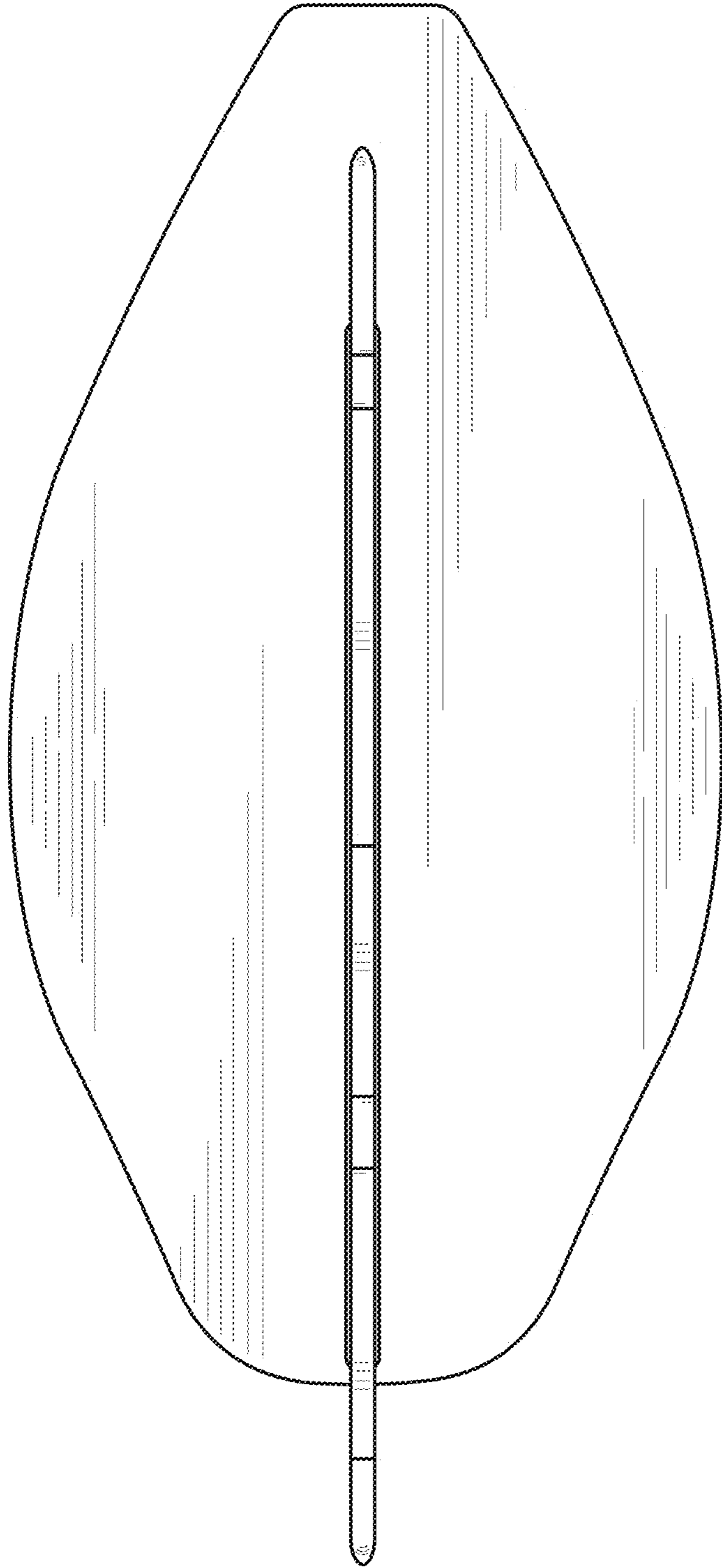


FIG. 15