



US00D944350S

(12) **United States Design Patent** (10) **Patent No.:** **US D944,350 S**
Whincup et al. (45) **Date of Patent:** **** Feb. 22, 2022**

(54) **INFLATABLE ATTRACTION**

(71) Applicants: **Robin Whincup**, Port Charlotte, FL (US); **Michael Robin Whincup**, Bradenton, FL (US)

(72) Inventors: **Robin Whincup**, Port Charlotte, FL (US); **Michael Robin Whincup**, Bradenton, FL (US)

(**) Term: **15 Years**

(21) Appl. No.: **29/713,274**

(22) Filed: **Nov. 14, 2019**

(51) **LOC (13) Cl.** **21-03**

(52) **U.S. Cl.**
USPC **D21/814; D21/835**

(58) **Field of Classification Search**
USPC D21/811, 814, 815–816, 835
CPC . E04H 15/20; E04H 15/324; E04H 2015/201;
E04H 2015/204; E04H 2015/206; A63G
31/12

See application file for complete search history.

(56) **References Cited**

U.S. PATENT DOCUMENTS

D381,057 S *	7/1997	Strawcutter	D21/814
D416,064 S *	11/1999	Dunn	D21/814
D416,065 S *	11/1999	Dunn	D21/814
D422,667 S *	4/2000	Lau	D21/814
D762,801 S *	8/2016	Scherba	D21/836
D773,570 S *	12/2016	Pasquale	D21/702
D803,340 S *	11/2017	Scherba	D21/814
D823,418 S *	7/2018	Bagumyan	D21/833
D824,471 S *	7/2018	Bagumyan	D21/818
D861,107 S *	9/2019	Whincup	D21/811
D861,819 S *	10/2019	Whincup	D21/811
2007/0000182 A1 *	1/2007	Boujon	A63G 31/12 52/2.17

(Continued)

OTHER PUBLICATIONS

“Galaxy Multi Rides Brochure 2017-2018,” Galaxy America Inc., Port Charlotte, Florida, <<https://issuu.com/galaxymultirides/docs/galaxy-multi-rides-brochure-2017-20>> [retrieved Mar. 25, 2020], 13 page.

Primary Examiner — Mitchell I. Siegel

(74) *Attorney, Agent, or Firm* — Christensen O’Connor Johnson Kindness PLLC

(57) **CLAIM**

The ornamental design for an inflatable attraction, as shown and described.

DESCRIPTION

FIG. 1 is a top front right perspective view of an inflatable attraction in accordance with the new design.

FIG. 2 is a front elevation view thereof.

FIG. 3 is a rear elevation view thereof.

FIG. 4 is top plan view thereof.

FIG. 5 is a left elevation view thereof.

FIG. 6 is a right elevation view thereof.

FIG. 7 is a top front right perspective view of an inflatable attraction in accordance with another embodiment of the new design.

FIG. 8 is a front elevation view thereof.

FIG. 9 is a rear elevation view thereof.

FIG. 10 is top plan view thereof.

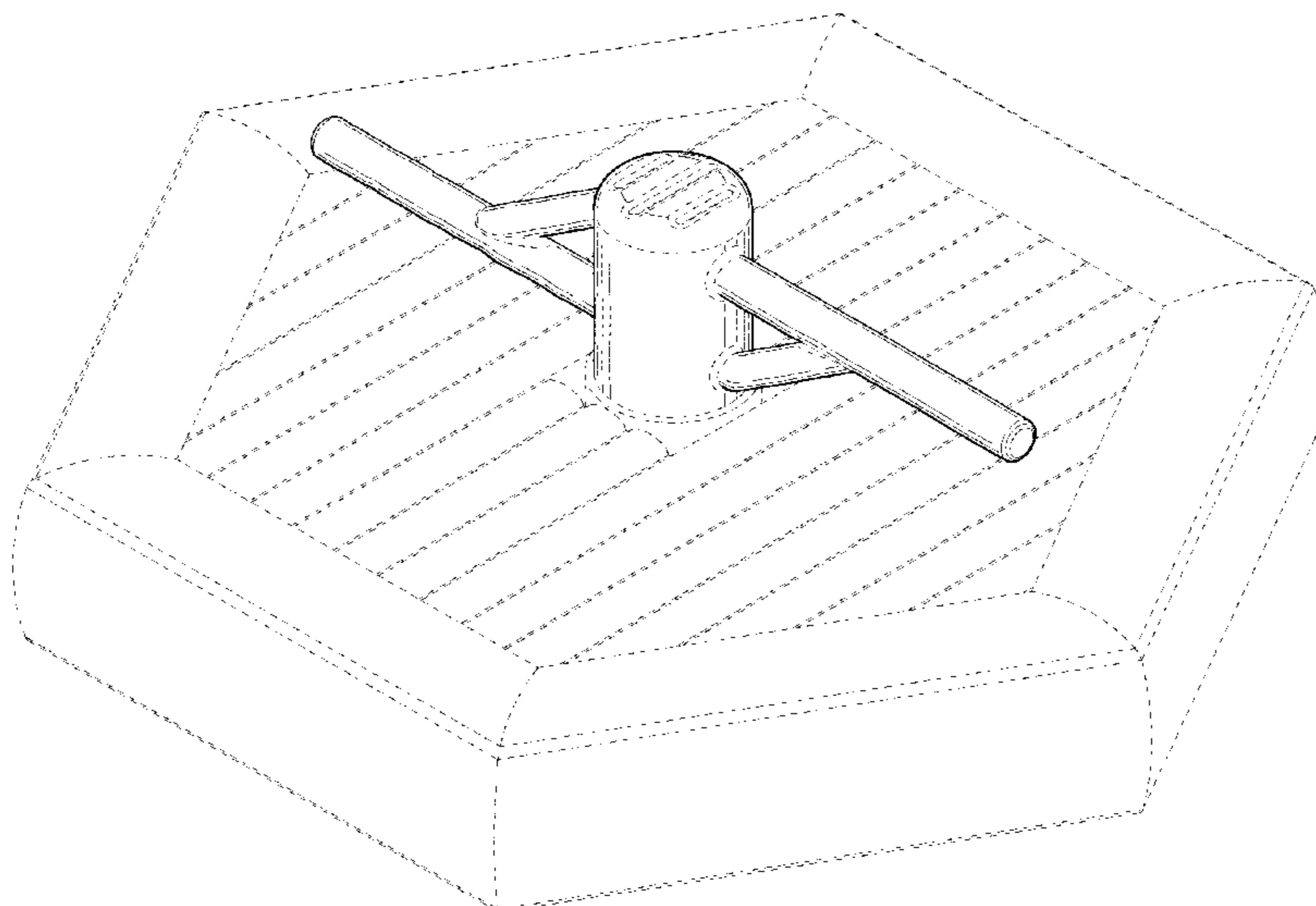
FIG. 11 is a left elevation view thereof; and,

FIG. 12 is a right elevation view thereof.

The broken lines shown in the drawings form no part of the claimed design. No claim is made to any bottom view, no bottom views being shown herein. Further, the appearance of any portion of the inflatable attraction between the break lines extending through certain figures forms no part of the claimed design.

The broken away symbols in the drawings indicate the appearance of any portion of the article between the break lines forms no part of the claimed design.

1 Claim, 10 Drawing Sheets



(56)

References Cited

U.S. PATENT DOCUMENTS

2014/0170930 A1* 6/2014 Gordon A63G 23/00
446/220
2015/0111655 A1* 4/2015 Coleman A63G 31/12
472/134
2017/0190393 A1* 7/2017 Dial, III B63B 34/50

* cited by examiner

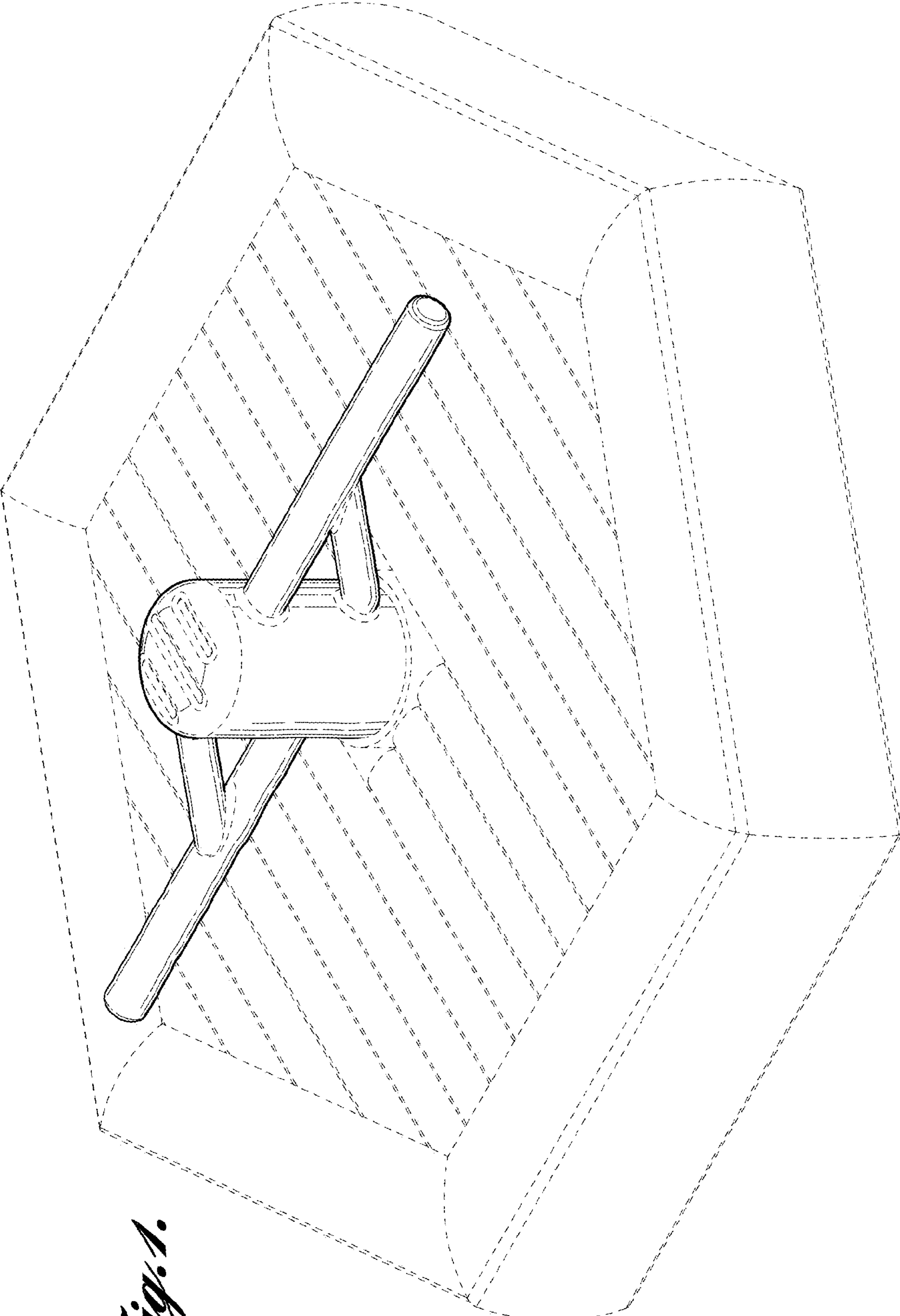


Fig. 1.

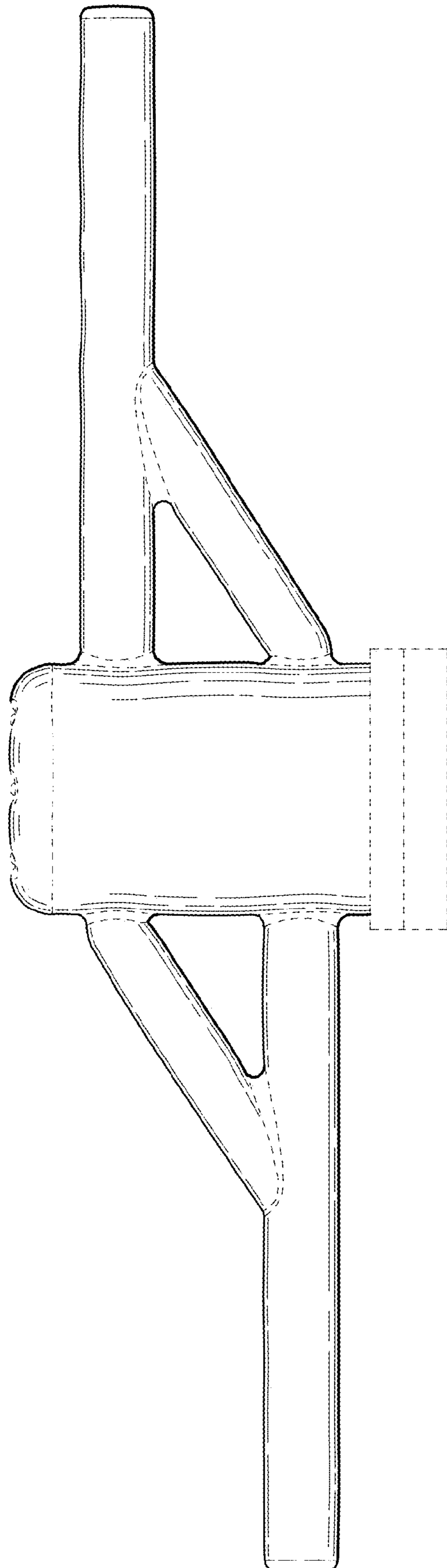


Fig. 2.

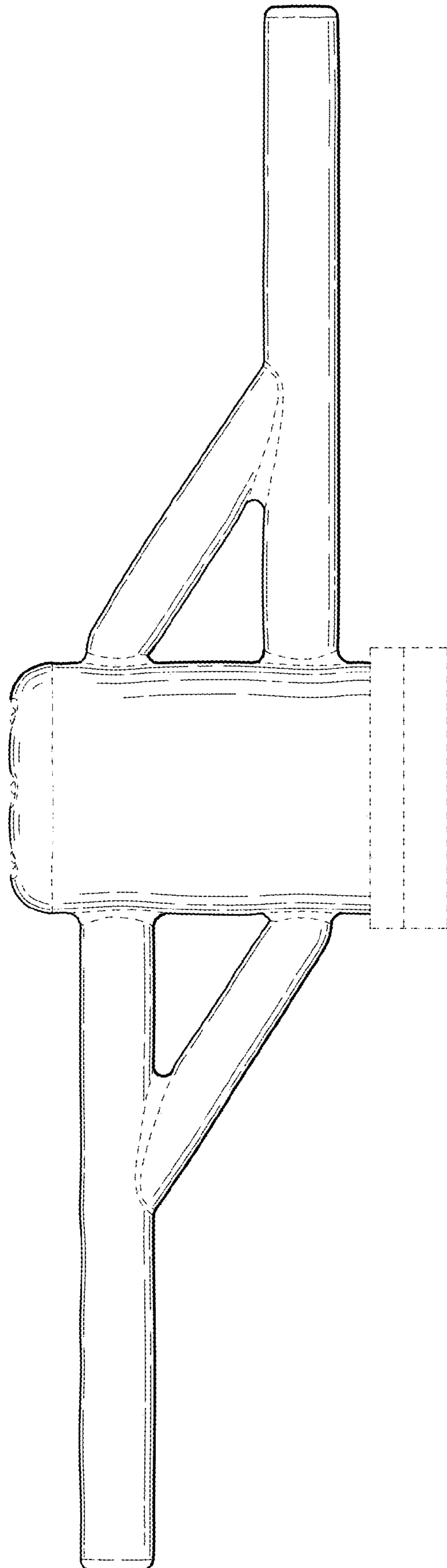


Fig. 3.

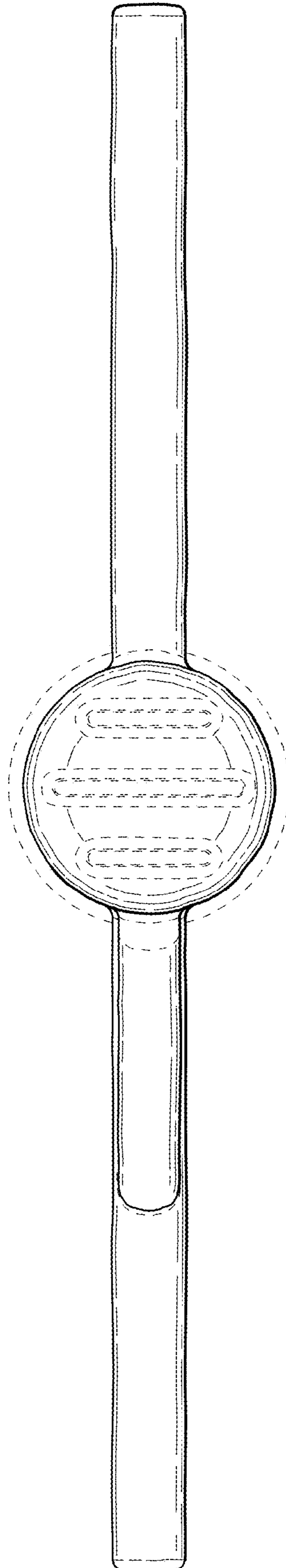


Fig. 4.

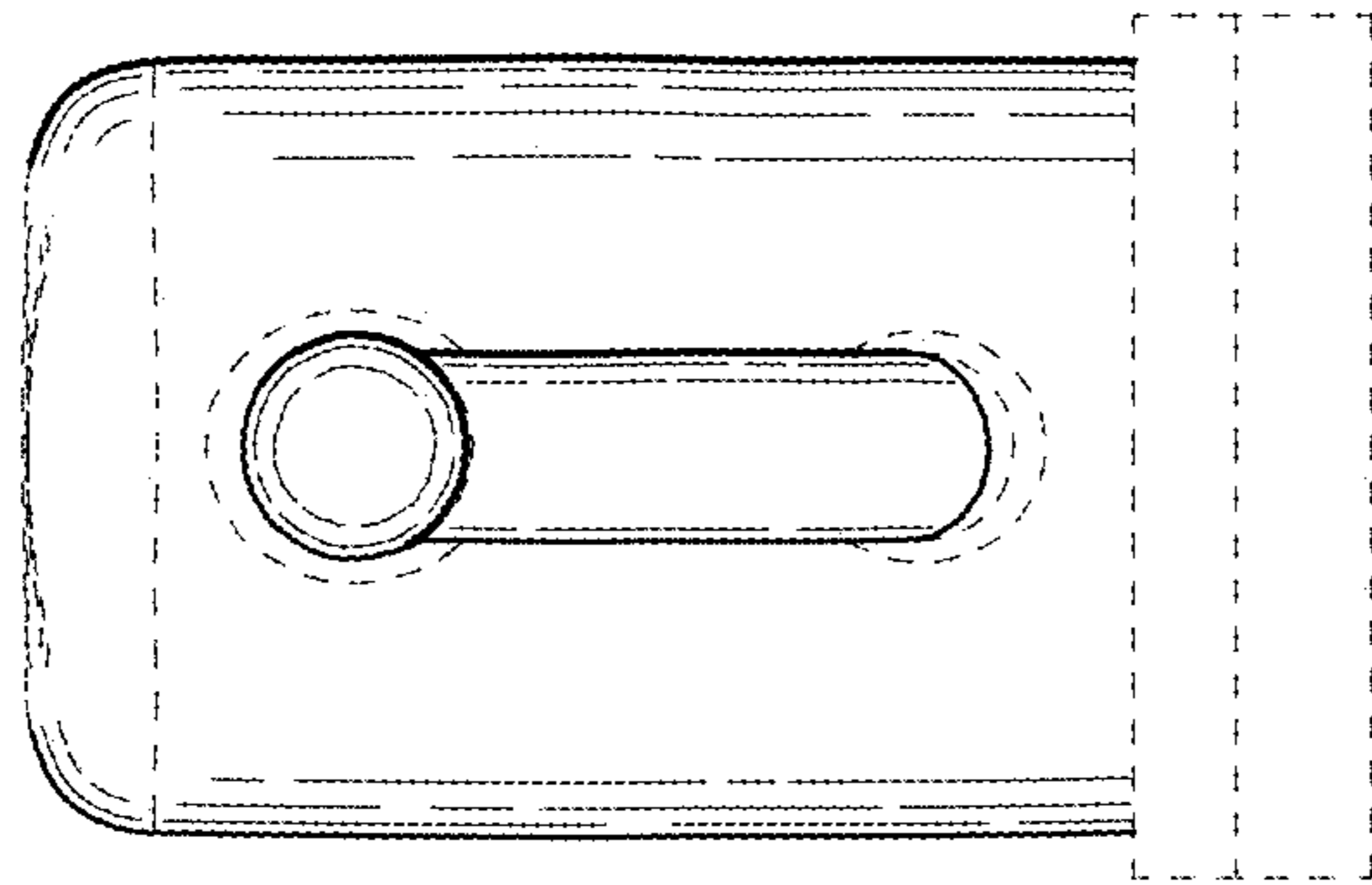


Fig. 6.

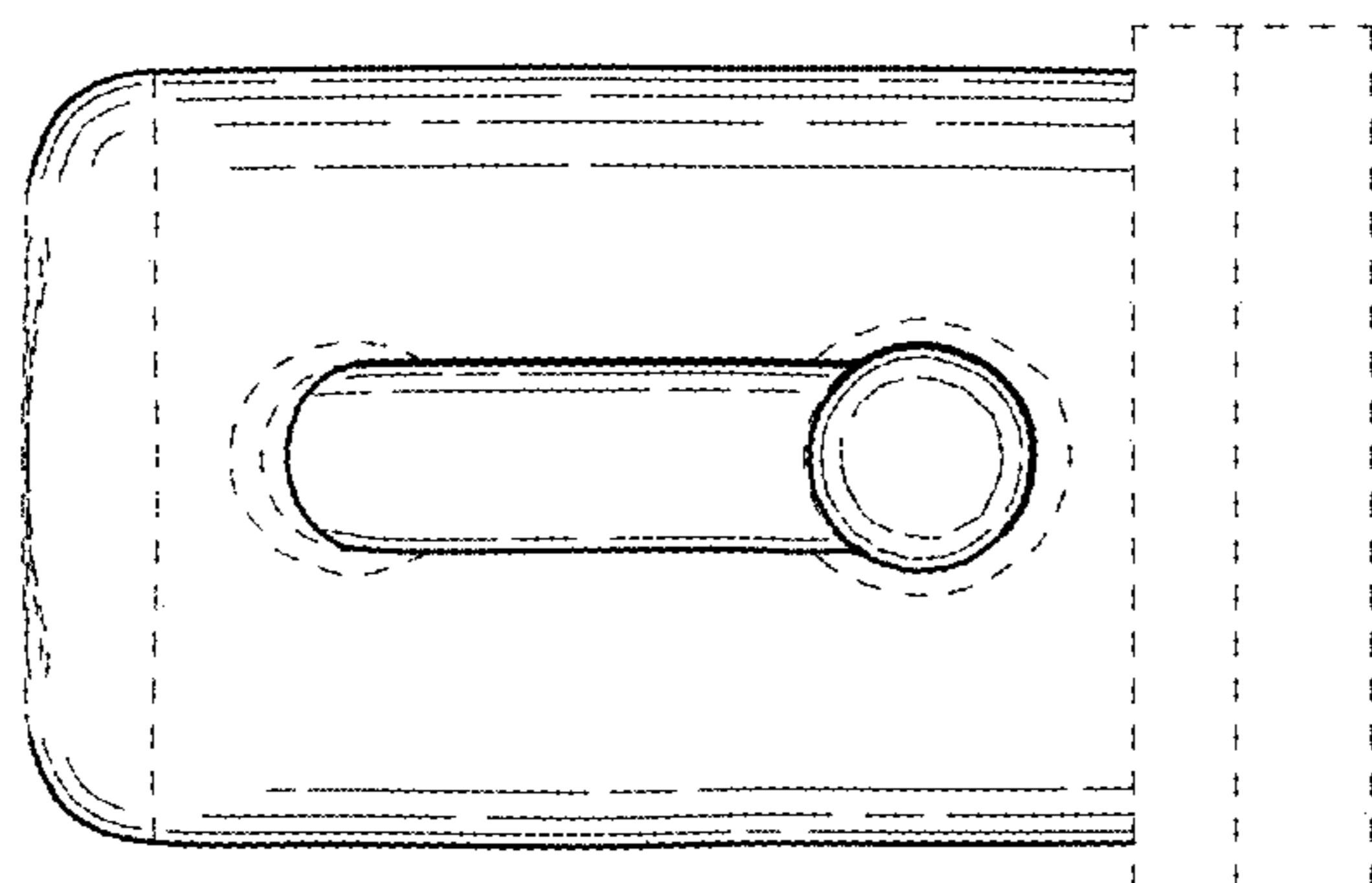


Fig. 5.

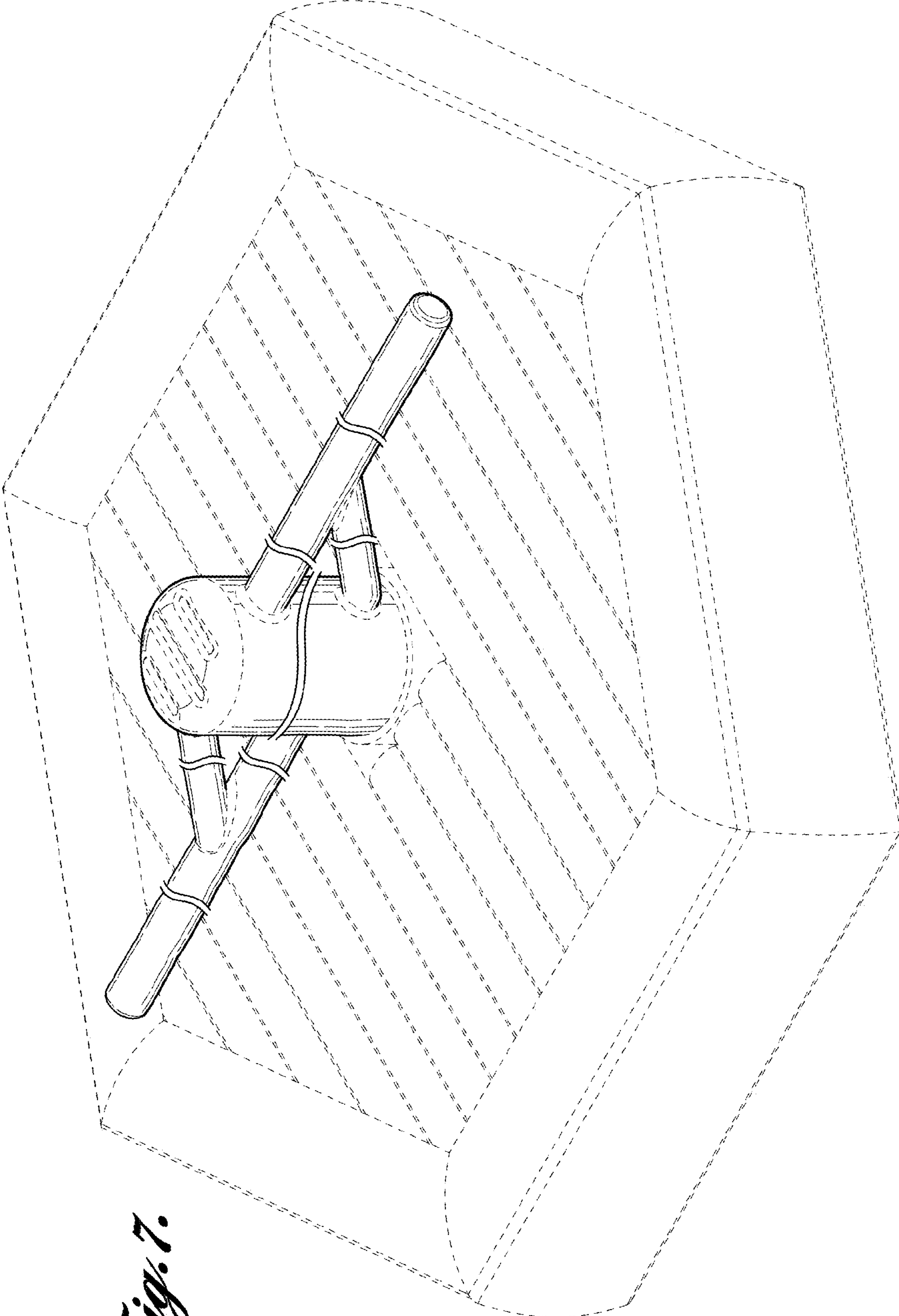


Fig. 7.

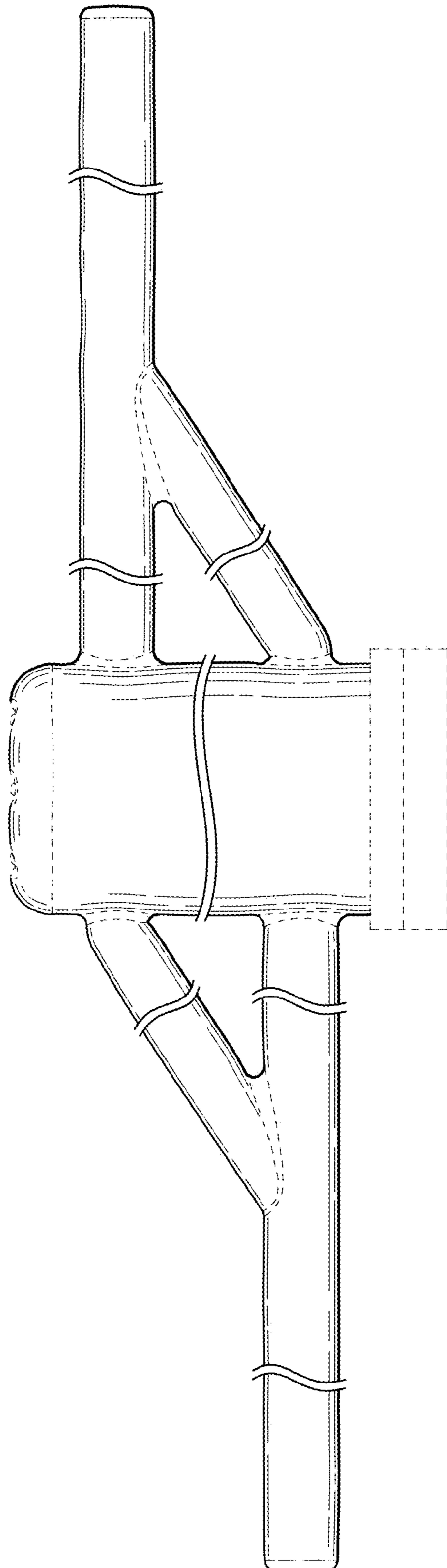


Fig. 8.

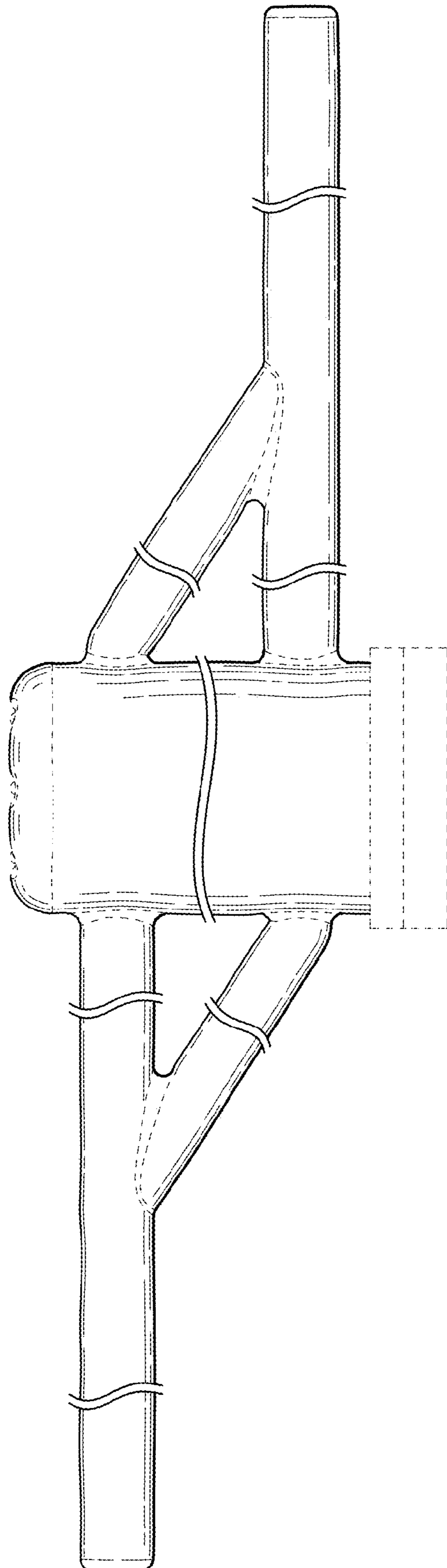


Fig. 9.

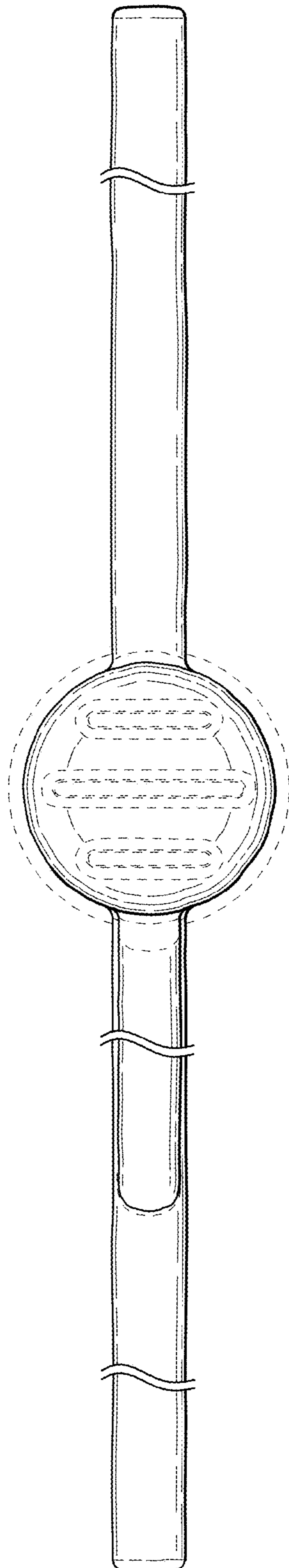


Fig. 10.

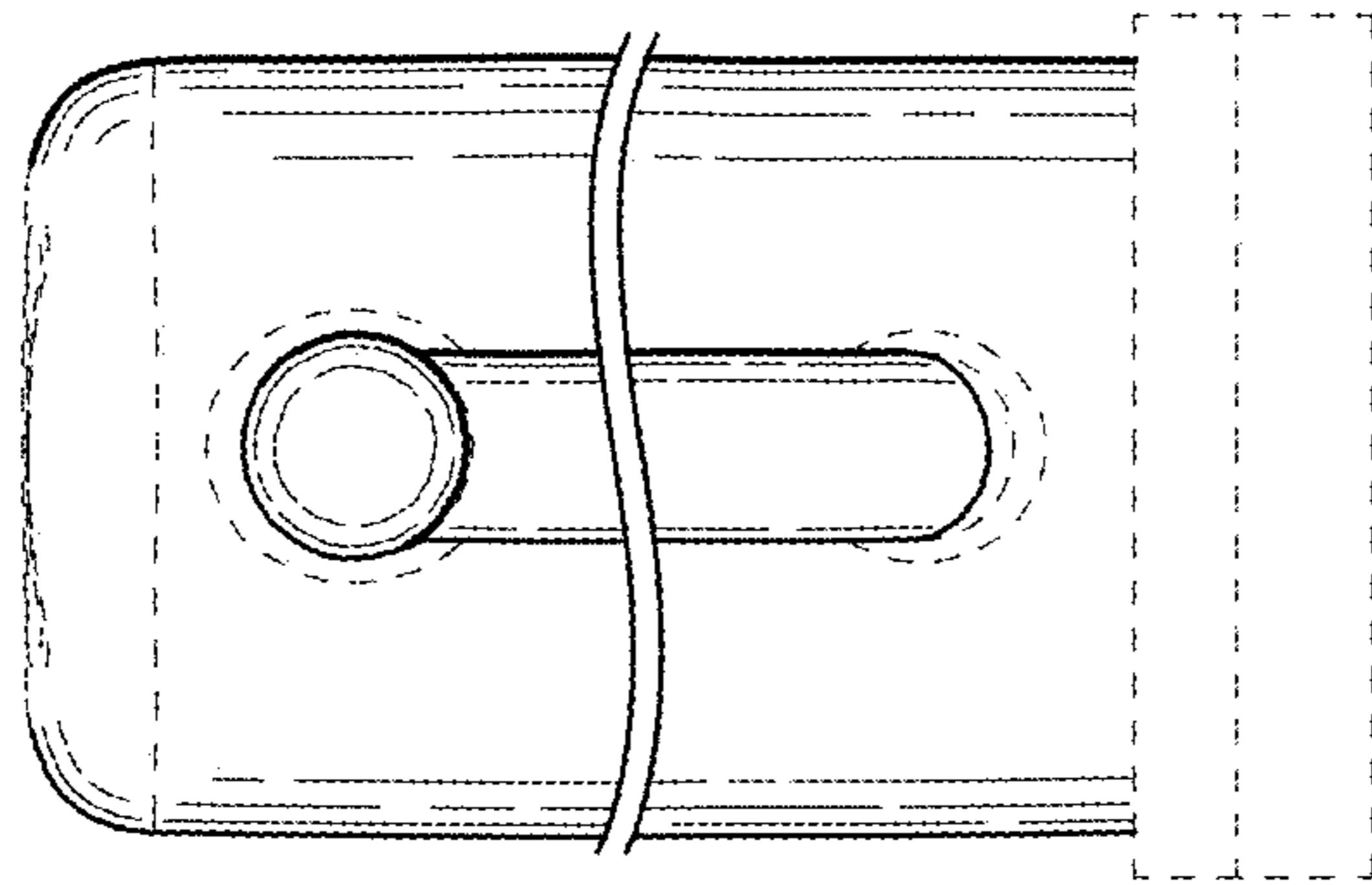


Fig. 12.

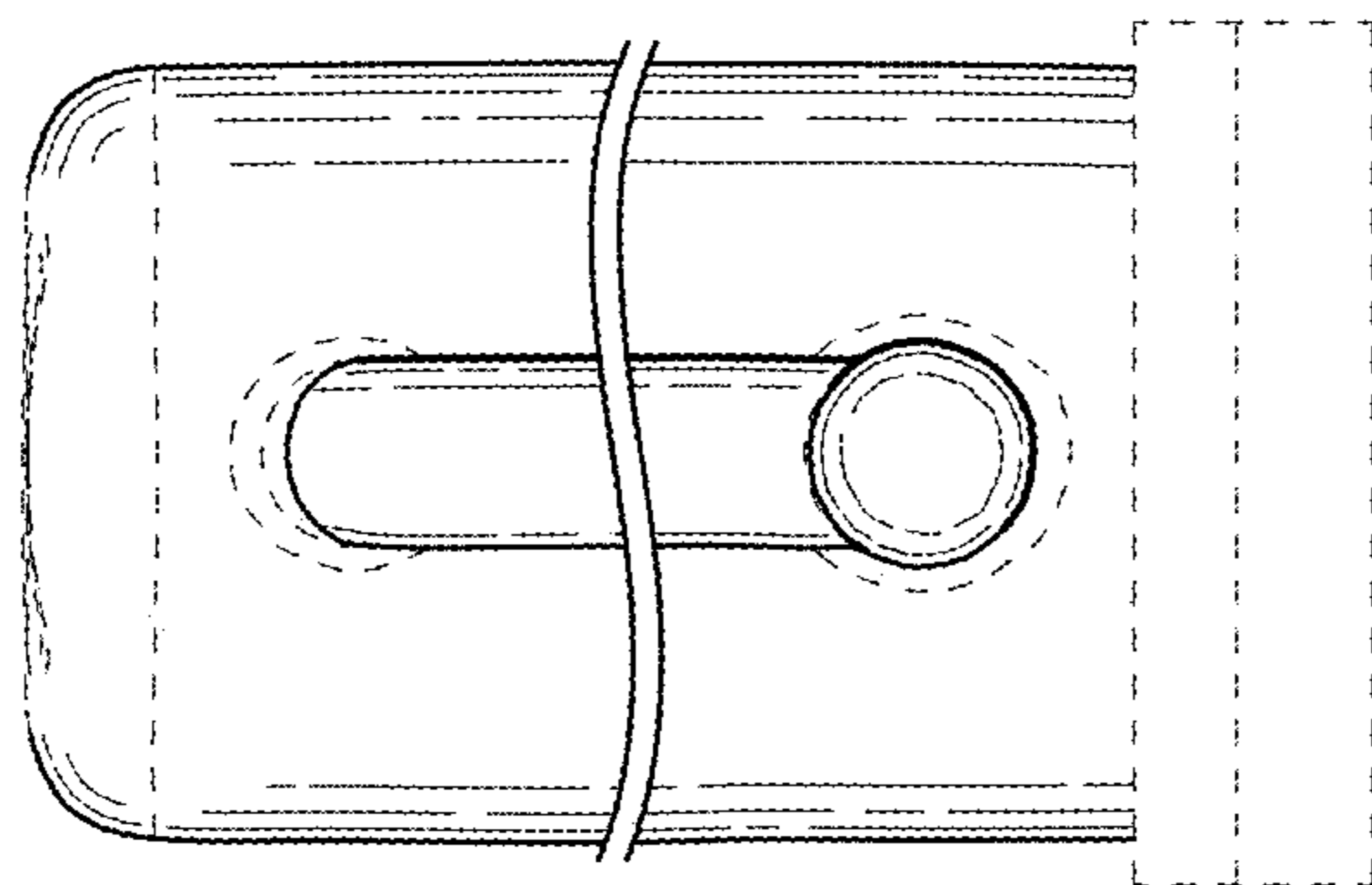


Fig. 11.