



US00D944349S

(12) **United States Design Patent**
Zhao

(10) **Patent No.:** **US D944,349 S**

(45) **Date of Patent:** **** Feb. 22, 2022**

(54) **HOVERBOARD**

(71) Applicant: **ZHEJIANG TAOTAO VEHICLES CO., LTD**, Lishui (CN)

(72) Inventor: **Zhi Zhao**, Hunan Province (CN)

(**) Term: **15 Years**

(21) Appl. No.: **29/763,516**

(22) Filed: **Dec. 23, 2020**

(30) **Foreign Application Priority Data**

Oct. 16, 2020 (CN) 202030614958.6

(51) **LOC (13) Cl.** **21-02**

(52) **U.S. Cl.**
USPC **D21/763**

(58) **Field of Classification Search**
USPC D21/419, 421, 423, 426, 760, 763, 765,
D21/766, 769, 771, 776; D12/1
CPC A63C 17/01; A63C 17/12; A63C 2203/00;
A63C 2203/012; A63C 2203/40; A63C
2203/52; B62D 51/02; B62K 2202/00
See application file for complete search history.

(56) **References Cited**

U.S. PATENT DOCUMENTS

D739,906 S *	9/2015	Chen	D21/760
D778,782 S *	2/2017	Chen	D12/1
D780,626 S *	3/2017	Li	D12/1
D784,195 S *	4/2017	Ying	D12/1
D784,198 S *	4/2017	Zhu	D12/1
D785,112 S *	4/2017	Ying	D21/760
D785,113 S *	4/2017	Ying	D21/760
D786,130 S *	5/2017	Huang	D12/1
D786,994 S *	5/2017	Chen	D21/760
D807,457 S *	1/2018	Desberg	D21/763
D808,856 S *	1/2018	Zhang	D12/1
D810,618 S *	2/2018	Li	D12/1
D837,323 S *	1/2019	Desberg	B62K 11/007 D21/760

D852,891 S *	7/2019	Yao	D21/763
D853,494 S *	7/2019	Li	D21/763
D857,137 S *	8/2019	Cao	D21/760
D888,856 S *	6/2020	Li	D21/763
D888,857 S *	6/2020	Yao	D21/763
D889,576 S *	7/2020	Li	D21/763
D899,541 S *	10/2020	Desberg	B62K 11/007 D21/763

10,800,477 B2 * 10/2020 Shang B62K 11/007
(Continued)

Primary Examiner — Cary M Robinson
Assistant Examiner — Adam C Mager

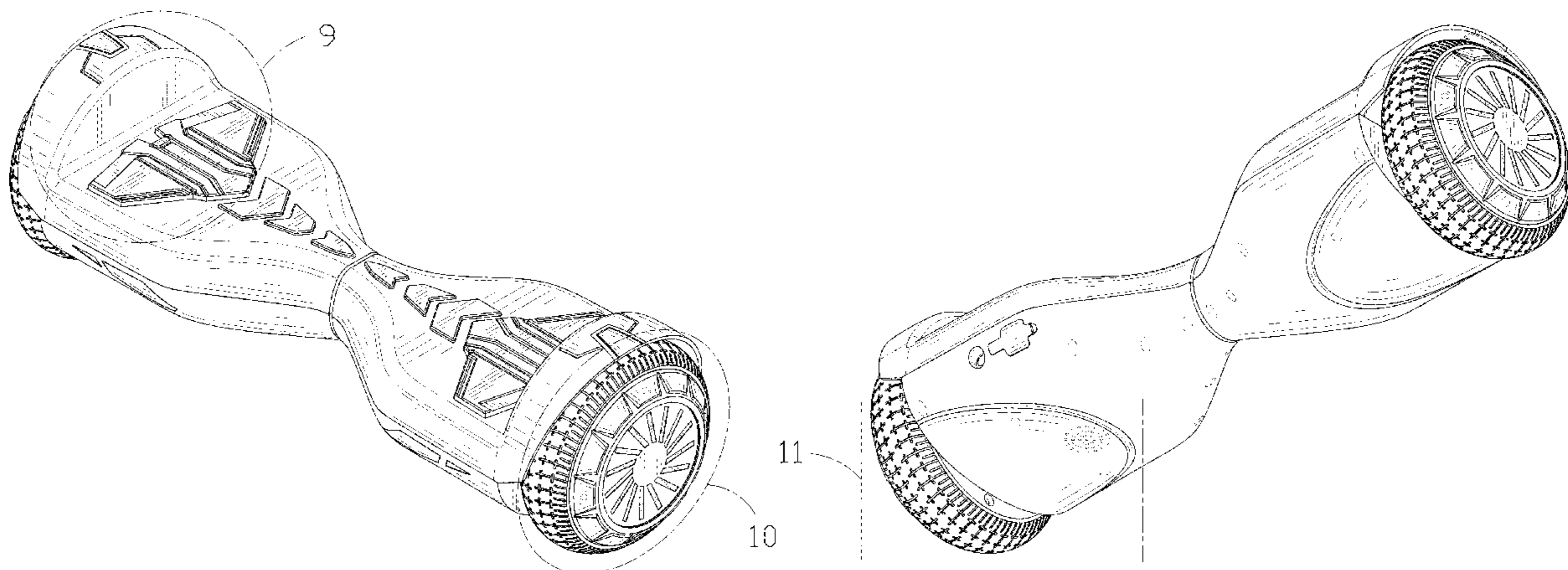
(57) **CLAIM**

The ornamental design for a hoverboard, as shown and described.

DESCRIPTION

FIG. 1 is a front and top perspective view of a hoverboard, showing my new design;
 FIG. 2 is a rear and bottom perspective view
 FIG. 3 is a front elevational view thereof;
 FIG. 4 is a rear elevational view thereof;
 FIG. 5 is a left side elevational view thereof;
 FIG. 6 is a right side elevational view thereof;
 FIG. 7 is a top plan view thereof;
 FIG. 8 is a bottom plan view thereof;
 FIG. 9 is an enlarged view of a portion indicated with numeric 9 in FIG. 1;
 FIG. 10 is an enlarged view of a portion indicated with numeric 10 in FIG. 1; and,
 FIG. 11 is an enlarged view of a portion indicated with numeric 11 FIG. 2.
 The dashed broken lines in the figures illustrate portions of the article that form no part of the claimed design. The dash dot dash lines in FIGS. 1, 2, 9, 10 and 11 are for the purpose of depicting the cut line of the enlarged view and form no part of the claim.

1 Claim, 11 Drawing Sheets



(56)

References Cited

U.S. PATENT DOCUMENTS

10,843,765	B2 *	11/2020	Chen	B62J 45/41
D905,595	S *	12/2020	Wang	D12/1
D909,523	S *	2/2021	Chen	D21/763
D919,727	S *	5/2021	Shen	D21/763
D919,728	S *	5/2021	Shen	D21/763
D921,799	S *	6/2021	Shen	D21/763
D921,801	S *	6/2021	Shen	D21/763
D928,264	S *	8/2021	Ke	D21/763
11,136,084	B2 *	10/2021	Shang	B62J 6/015
2018/0037293	A1 *	2/2018	Chen	B62J 45/41
2019/0077479	A1 *	3/2019	Chen	B62K 11/007
2020/0361559	A1 *	11/2020	Wen	B62K 11/02
2021/0221463	A1 *	7/2021	Chen	G05B 19/048

* cited by examiner

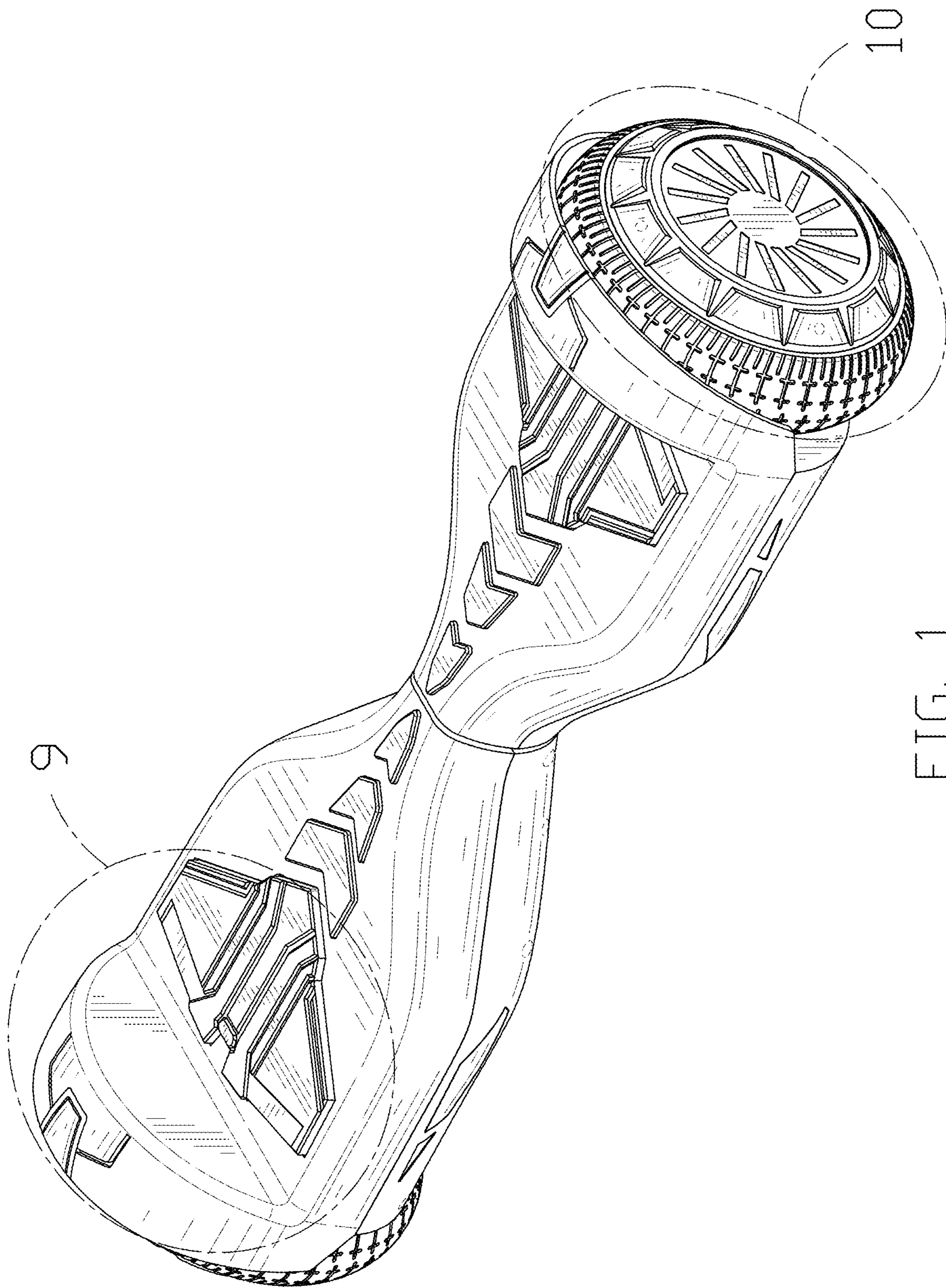


FIG. 1

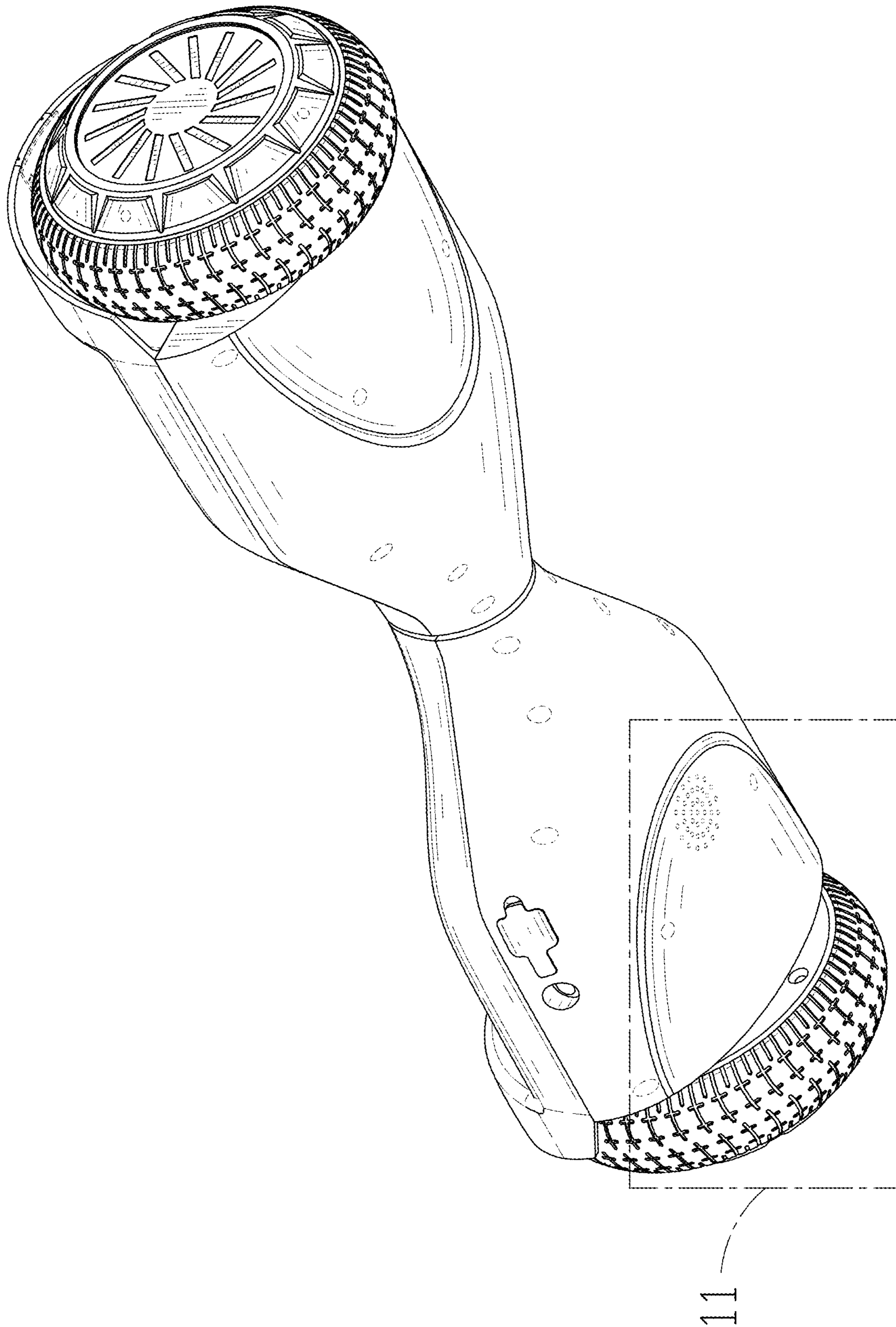


FIG. 2

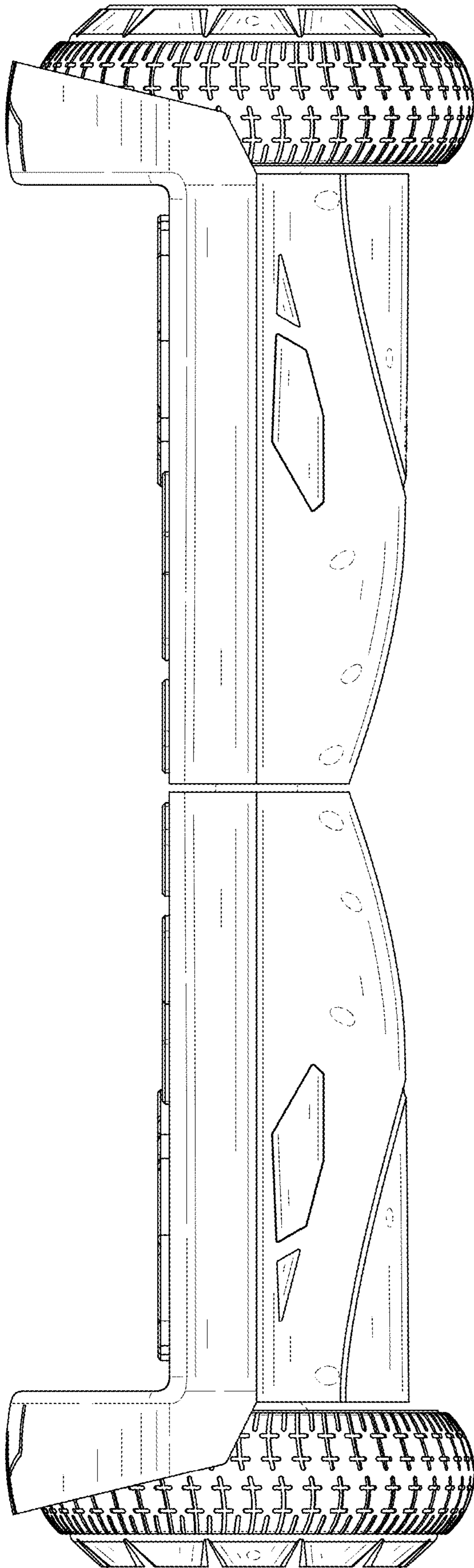


FIG. 3

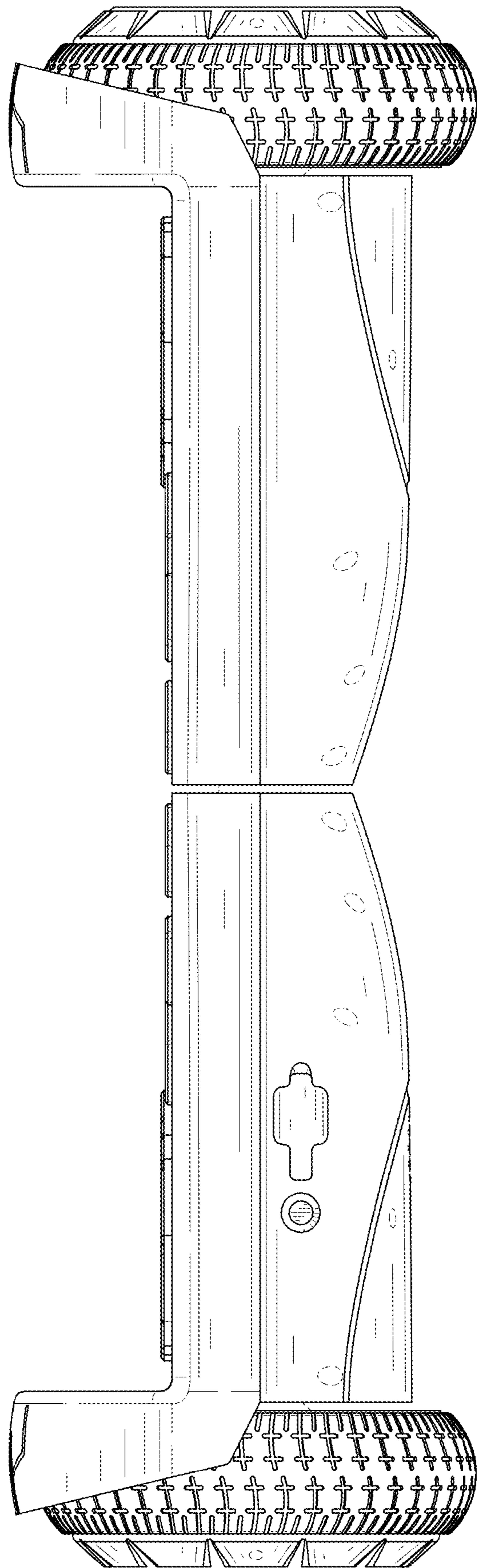


FIG. 4

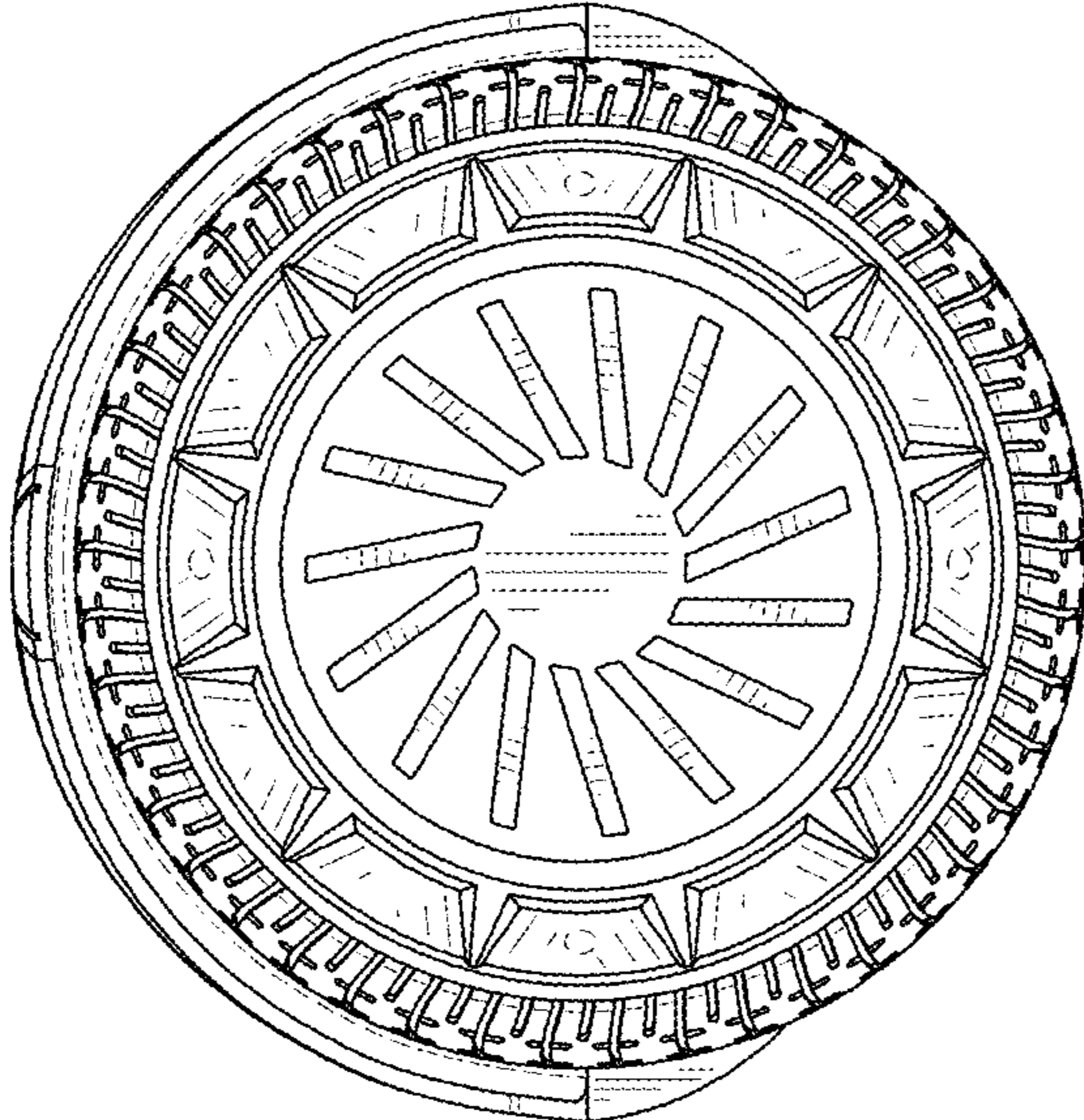


FIG. 5

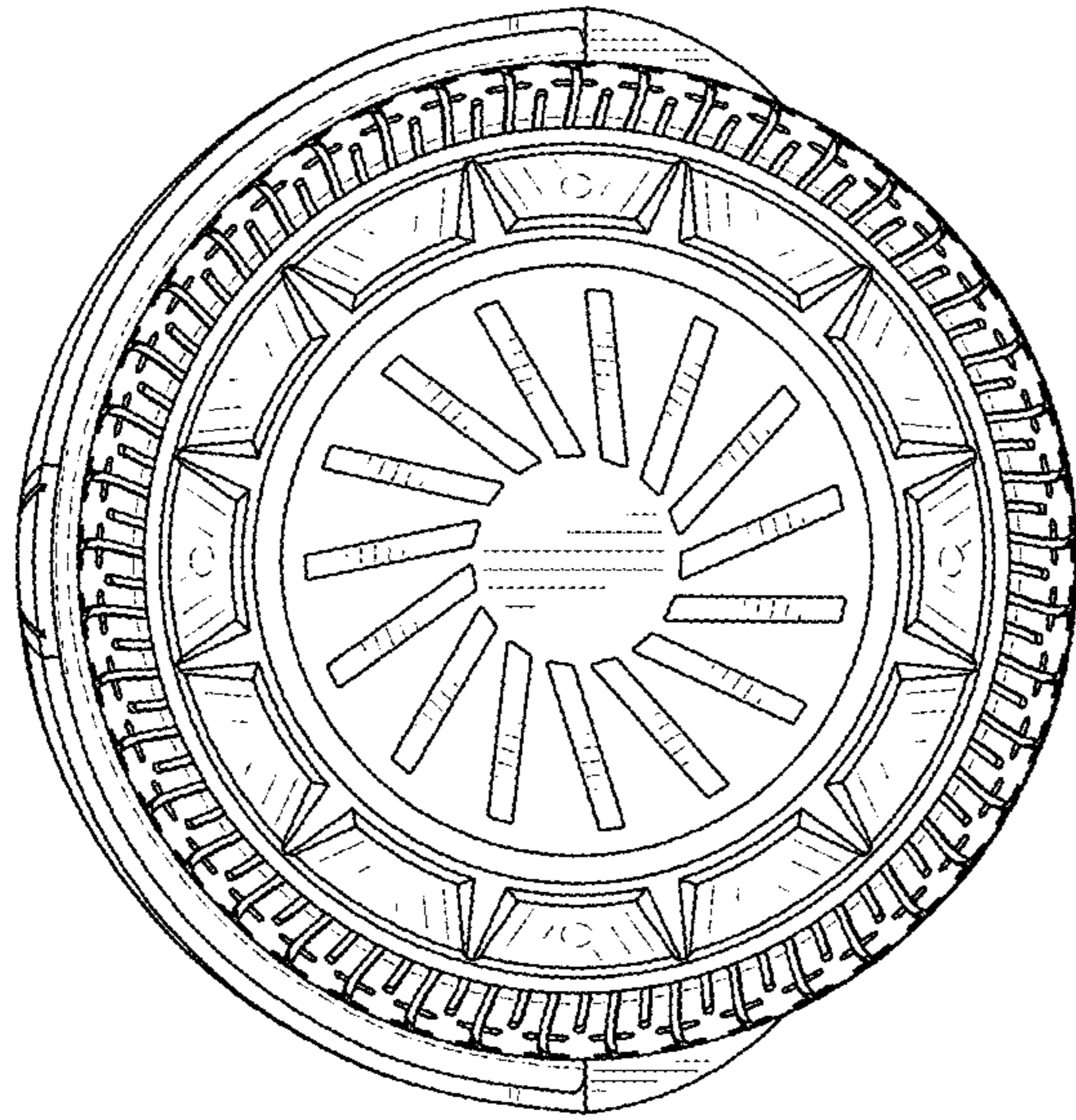


FIG. 6

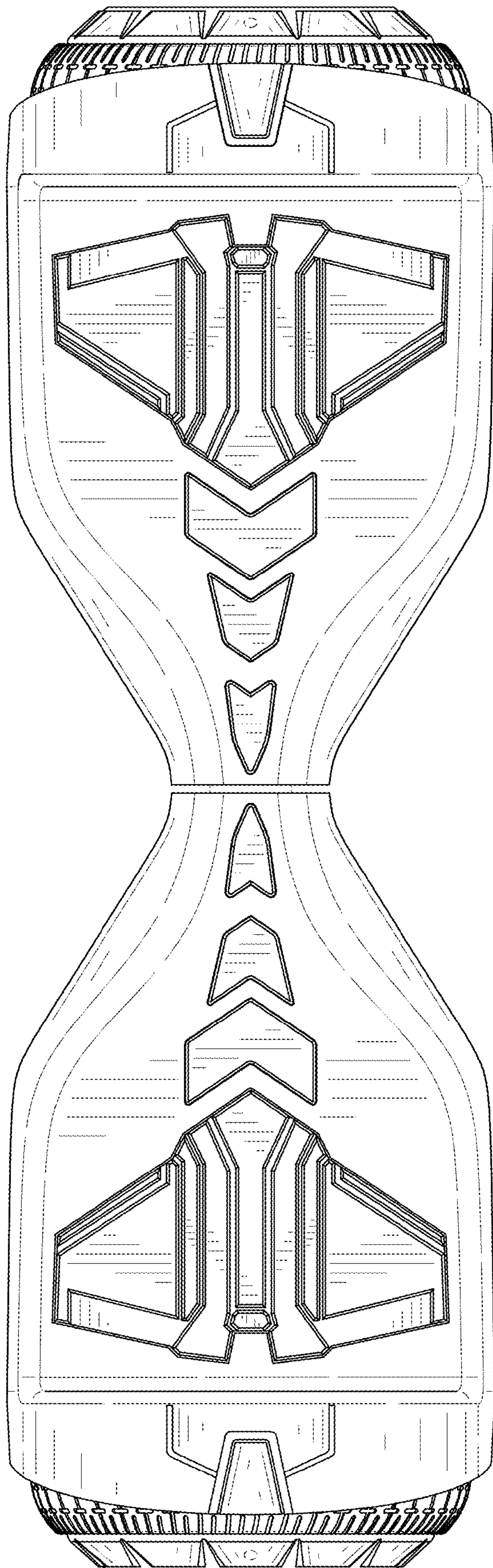


FIG. 7

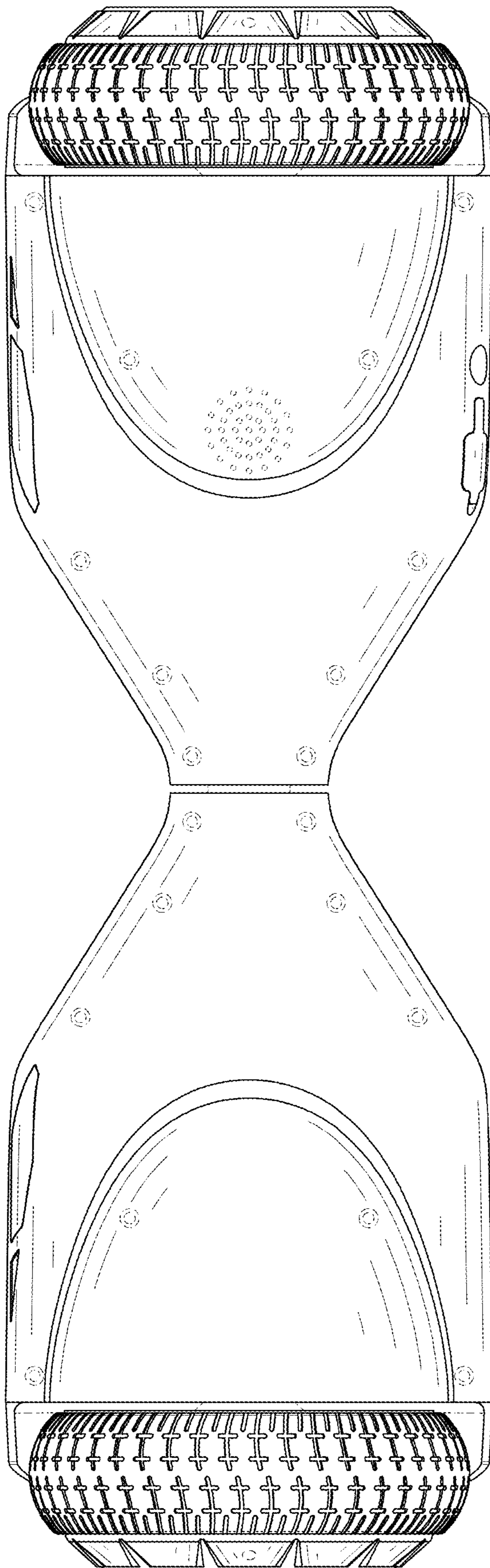


FIG. 8

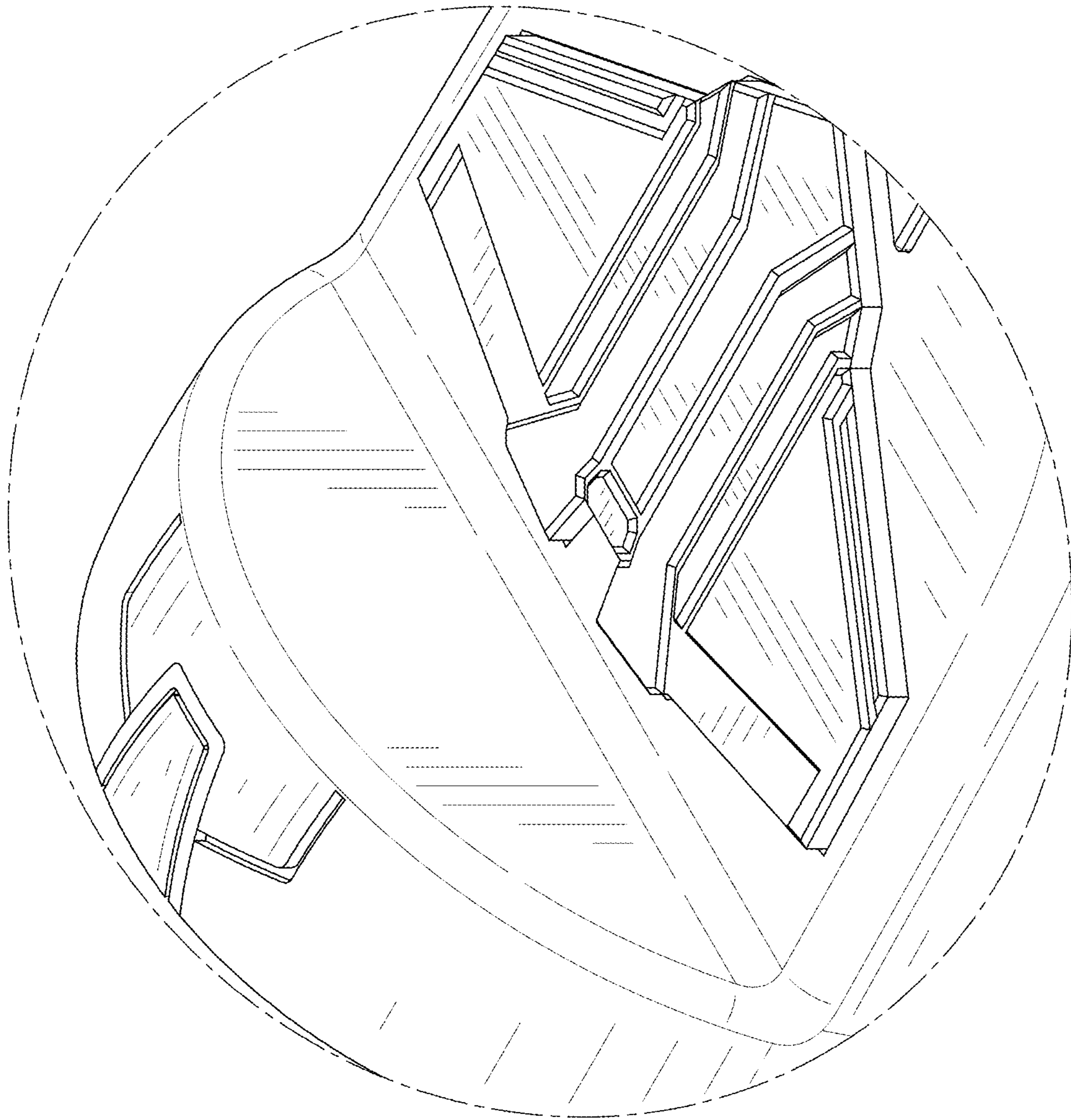


FIG. 9

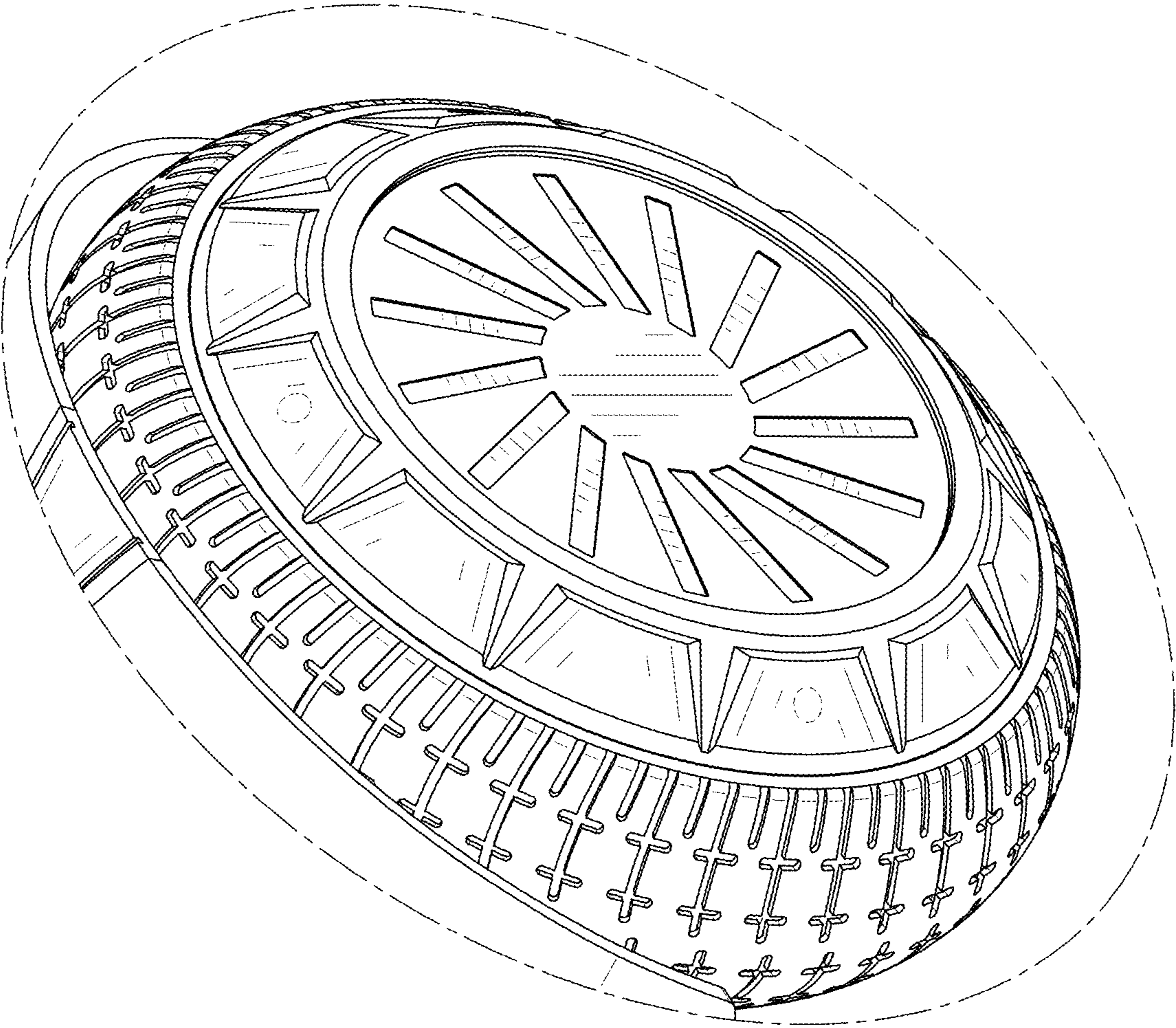


FIG. 10

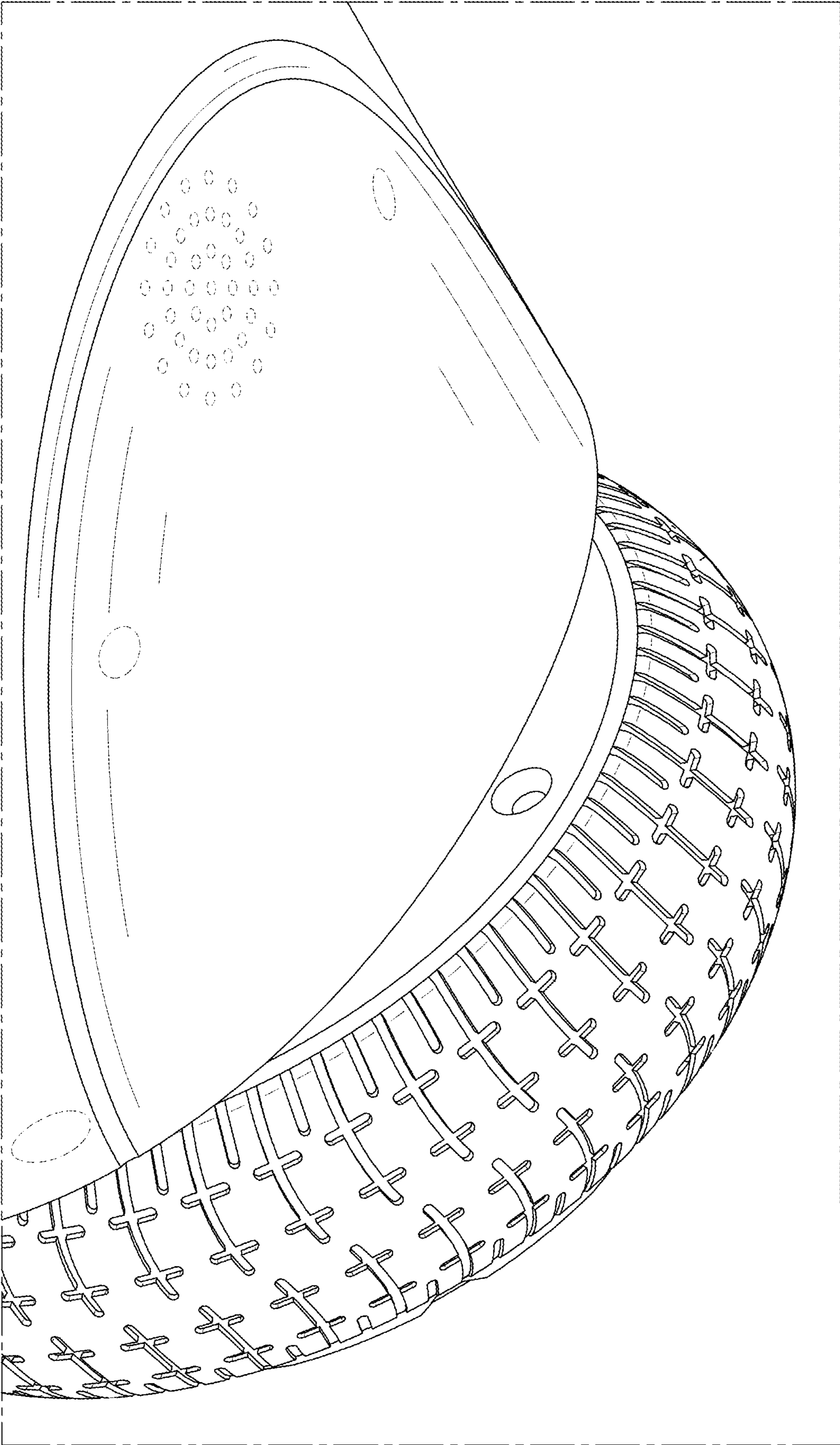


FIG. 11