



US00D944348S

(12) **United States Design Patent**  
**Kim et al.**

(10) **Patent No.:** **US D944,348 S**

(45) **Date of Patent:** **\*\* Feb. 22, 2022**

(54) **PUTTER HEAD**

(71) Applicant: **Callaway Golf Company**, Carlsbad, CA (US)

(72) Inventors: **Wee Joung Kim**, Vista, CA (US);  
**David Handy**, Carlsbad, CA (US);  
**Sean Toulon**, Vista, CA (US)

(73) Assignee: **Callaway Golf Company**, Carlsbad, CA (US)

(\*\*) Term: **15 Years**

(21) Appl. No.: **29/741,623**

(22) Filed: **Jul. 14, 2020**

(51) **LOC (13) Cl.** ..... **21-02**

(52) **U.S. Cl.**  
USPC ..... **D21/743**

(58) **Field of Classification Search**  
USPC ..... D21/736-746, 759  
CPC ..... A63B 53/00; A63B 53/04; A63B 53/007;  
A63B 53/065; A63B 53/0487; A63B  
60/00; A63B 60/46  
See application file for complete search history.

(56) **References Cited**

**U.S. PATENT DOCUMENTS**

D595,370 S *	6/2009	Ines	.....	D21/736
D606,139 S *	12/2009	Ines	.....	D21/736
D783,745 S *	4/2017	Chen	.....	D21/743
D835,217 S *	12/2018	Nicolette	.....	D21/736
D844,085 S *	3/2019	Nicolette	.....	D21/743
D844,723 S *	4/2019	Nicolette	.....	D21/743
D859,545 S *	9/2019	Long	.....	D21/736
D877,831 S *	3/2020	Cameron	.....	D21/736
D892,243 S *	8/2020	Rollinson	.....	D21/743

D893,653 S *	8/2020	Price	.....	D21/759
D893,654 S *	8/2020	Price	.....	D21/759
D895,037 S *	9/2020	Clarke	.....	D21/736
D896,328 S *	9/2020	Clarke	.....	D21/743
D907,730 S *	1/2021	Rollinson	.....	D21/759
D909,504 S *	2/2021	Schweigert	.....	D21/736
D920,453 S *	5/2021	Cameron	.....	D21/736
D921,141 S *	6/2021	Wang	.....	D21/744
D924,993 S *	7/2021	Rollinson	.....	D21/759
D924,994 S *	7/2021	Rollinson	.....	D21/759
D924,995 S *	7/2021	Rollinson	.....	D21/759
D931,962 S *	9/2021	Wang	.....	D21/743
D933,765 S *	10/2021	Toulon	.....	D21/736
D934,969 S *	11/2021	Toulon	.....	D21/736
D936,771 S *	11/2021	Cameron	.....	D21/744
2010/0184527 A1 *	7/2010	Demkowski	.....	A63B 53/0487 473/251

\* cited by examiner

*Primary Examiner* — Mitchell I. Siegel

(74) *Attorney, Agent, or Firm* — Rebecca Hanovice;  
Michael Catania; Sonia Lari

(57) **CLAIM**

The ornamental design for a putter head, as shown and described.

**DESCRIPTION**

FIG. 1 is a top perspective view of the putter head claimed herein;

FIG. 2 is a rear elevational view thereof;

FIG. 3 is a front elevational view thereof;

FIG. 4 is a right side elevational view thereof;

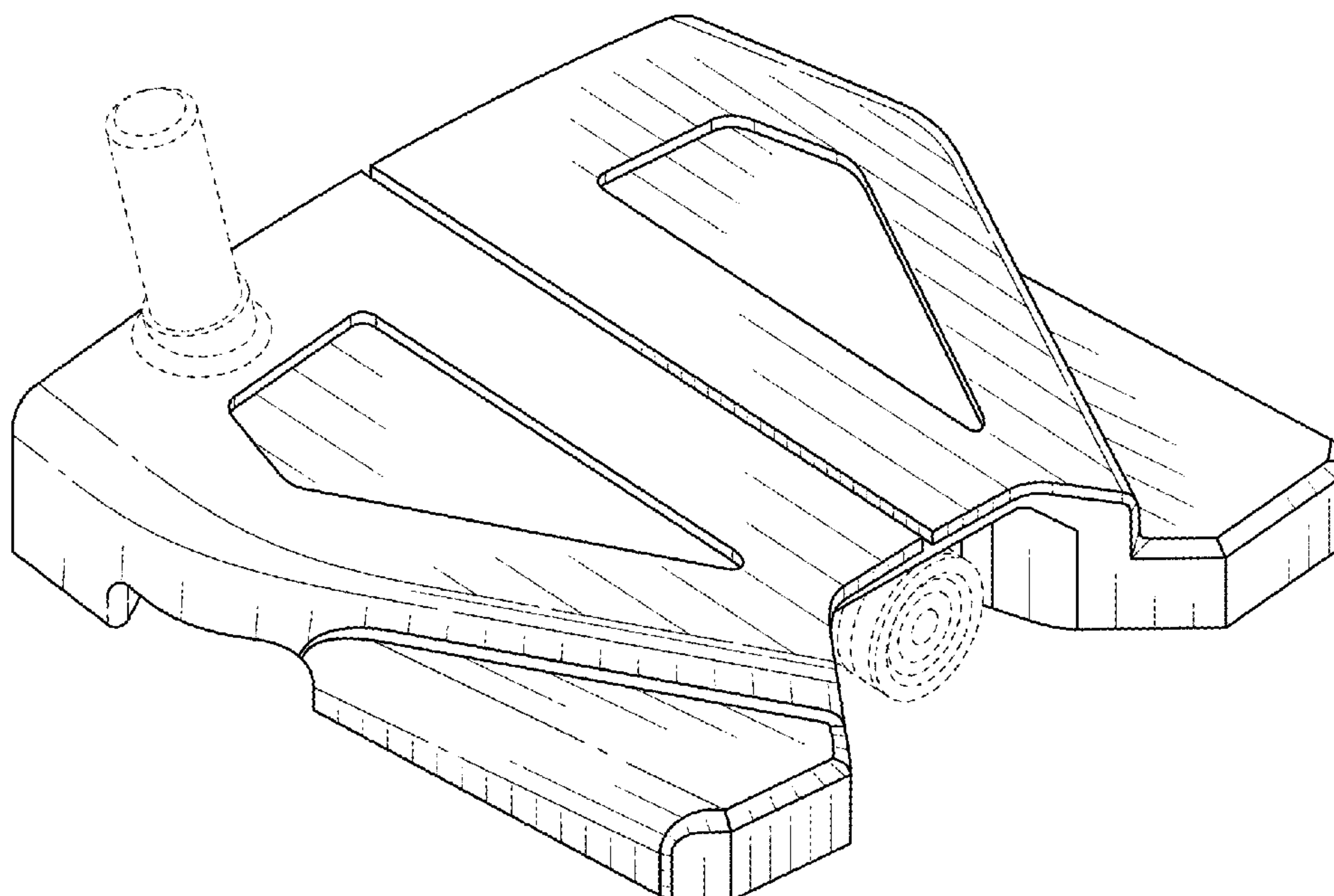
FIG. 5 is a left side elevational view thereof;

FIG. 6 is a top plan view thereof; and,

FIG. 7 is a bottom plan view thereof.

The broken lines shown in the drawings form no part of the claimed design.

**1 Claim, 5 Drawing Sheets**



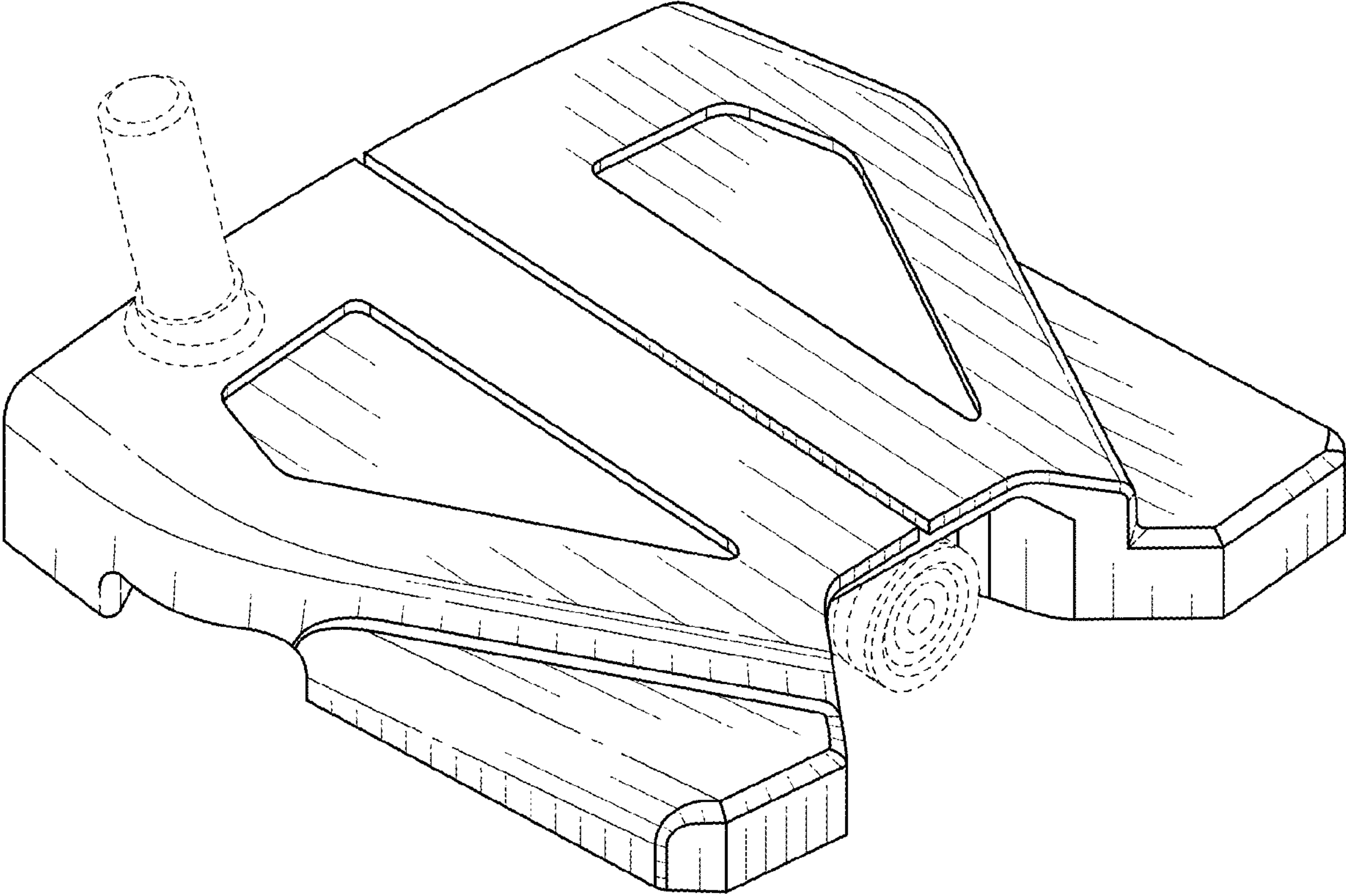


FIG. 1

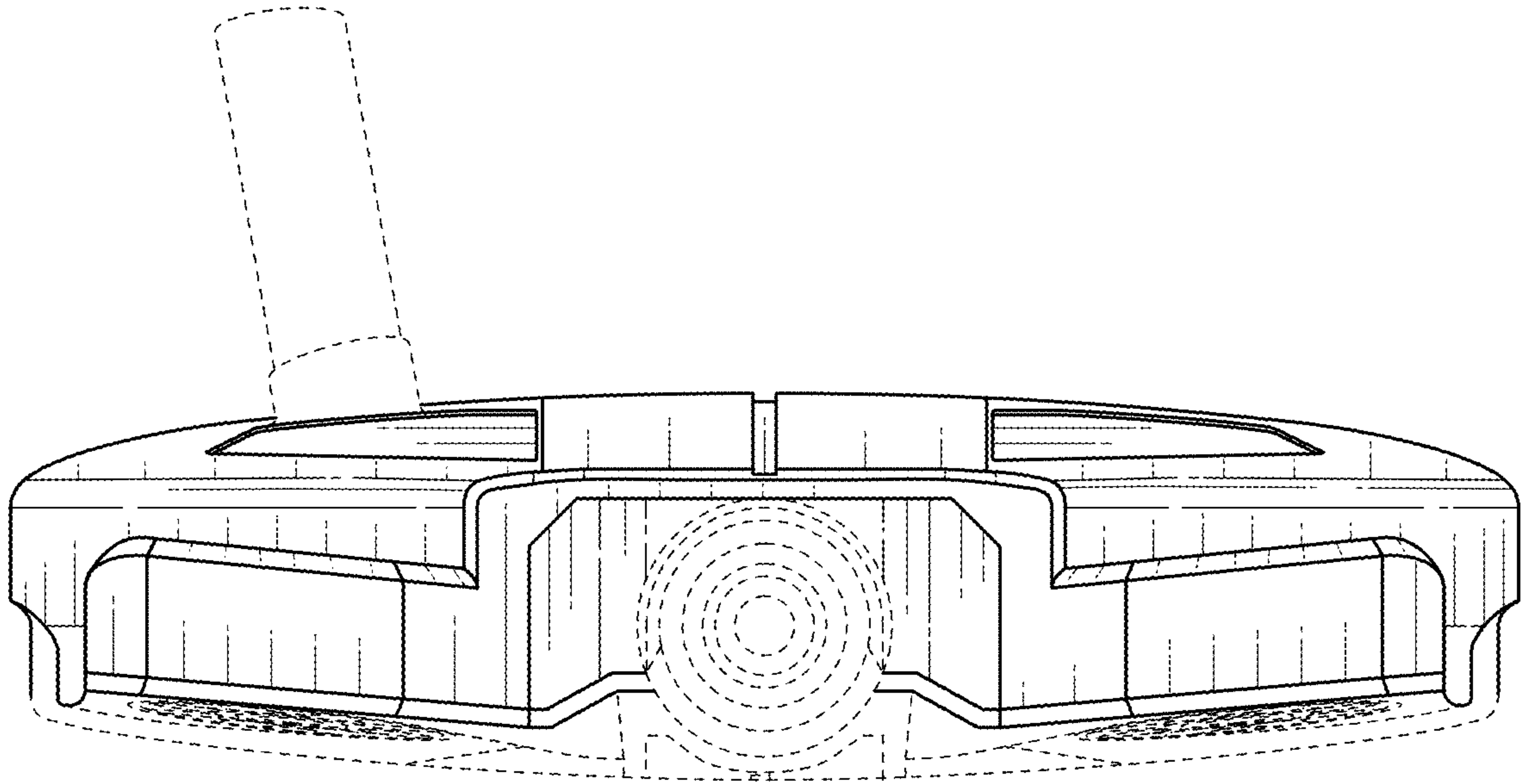


FIG. 2

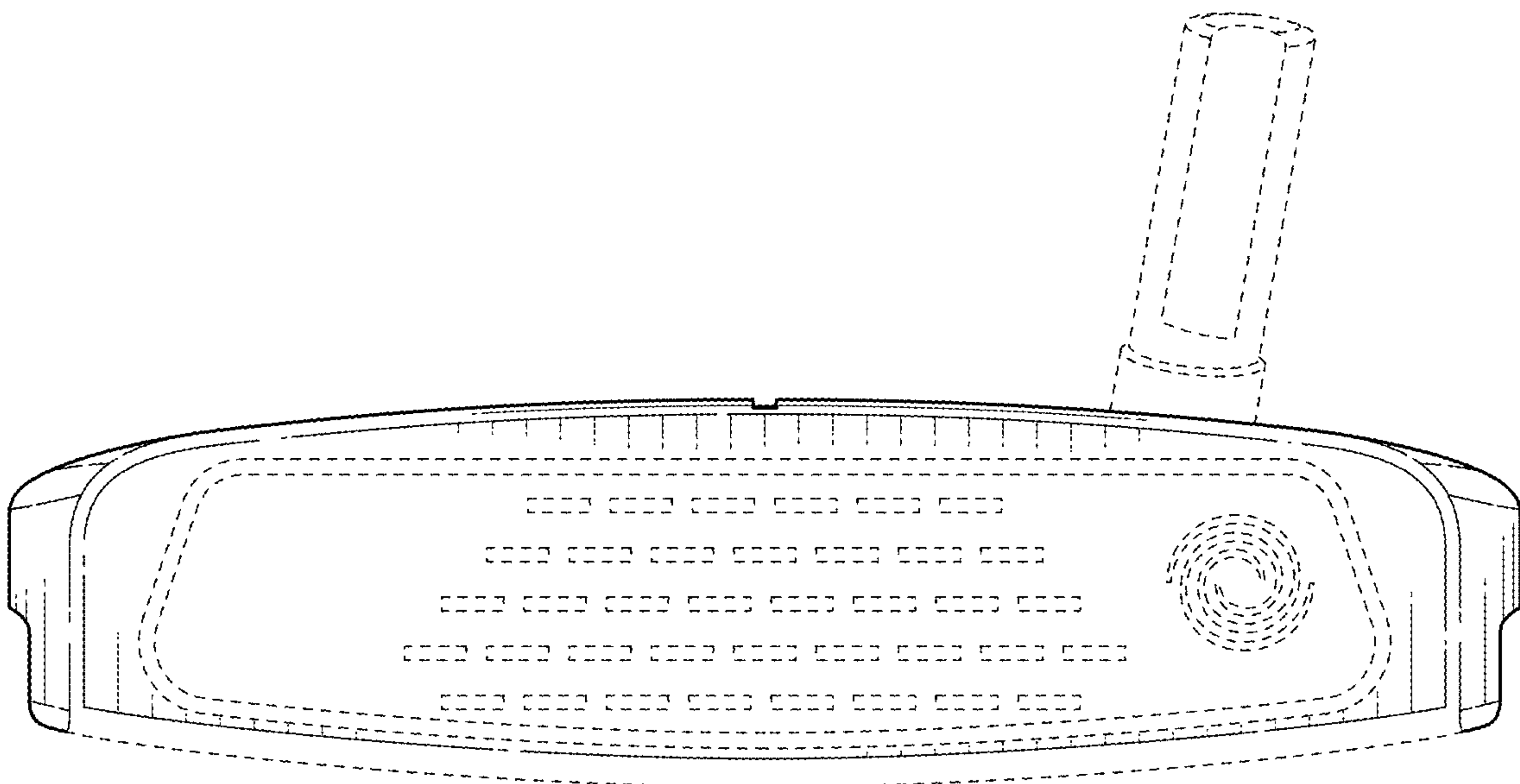


FIG. 3



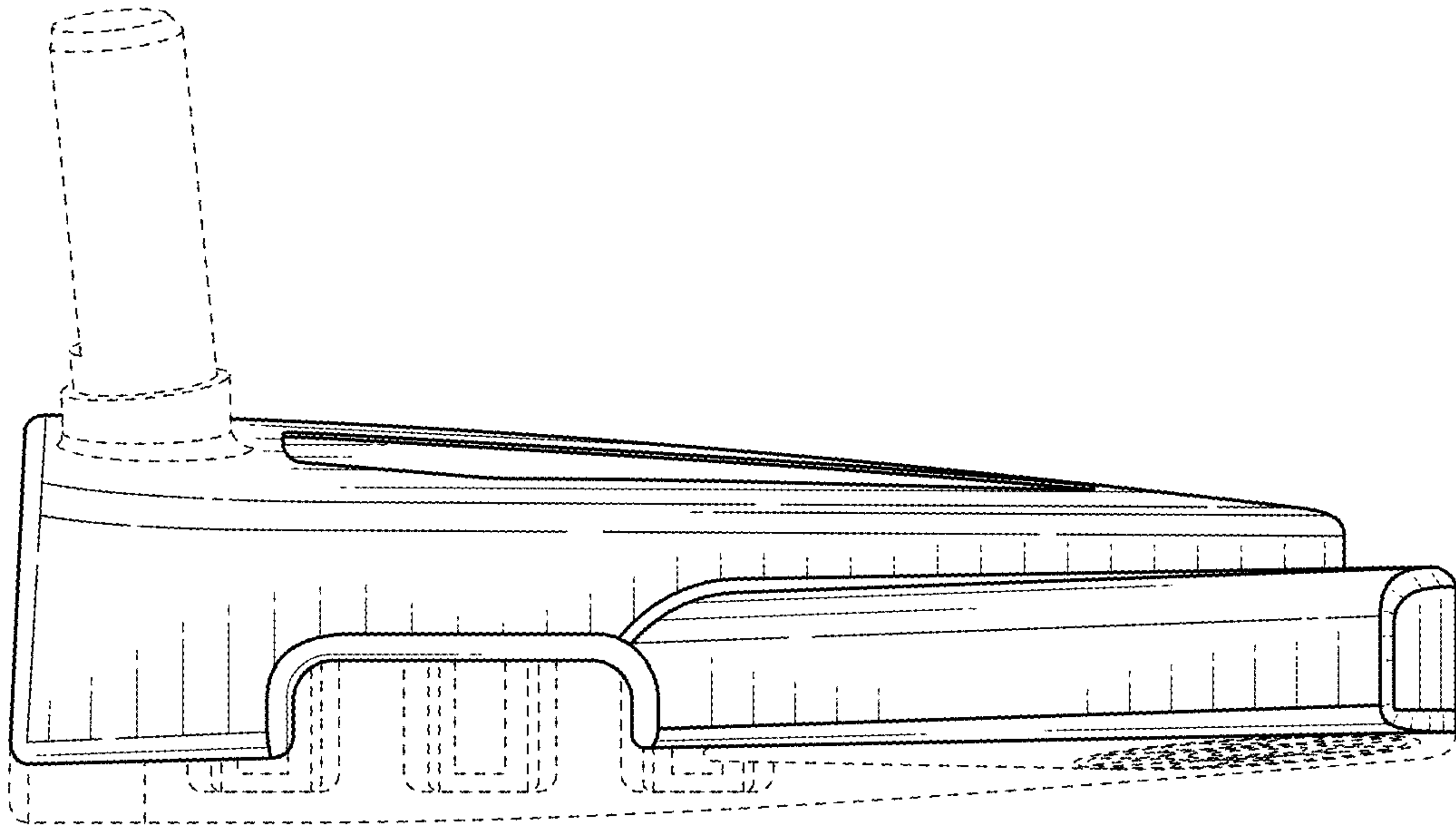


FIG. 4

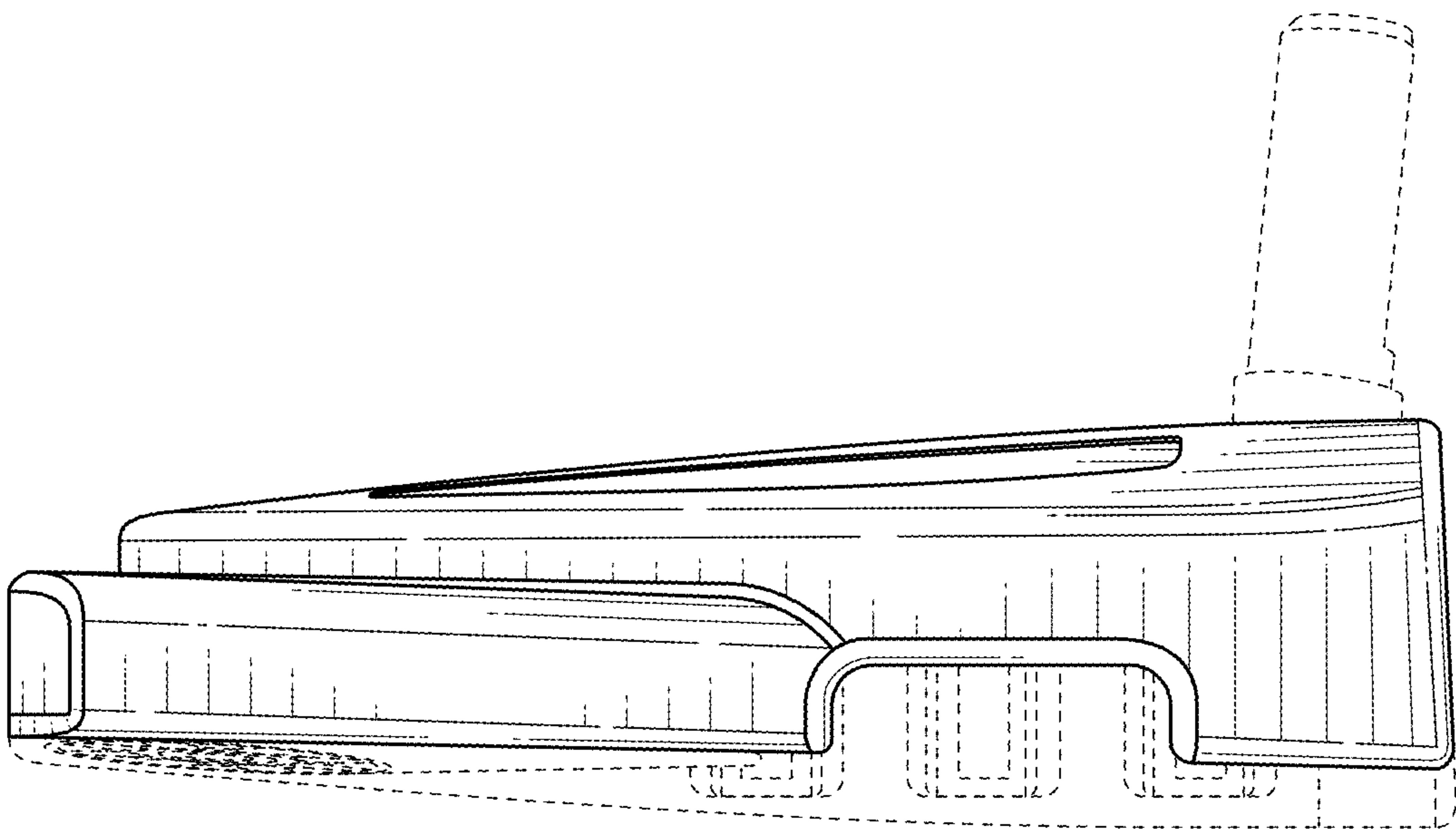


FIG. 5

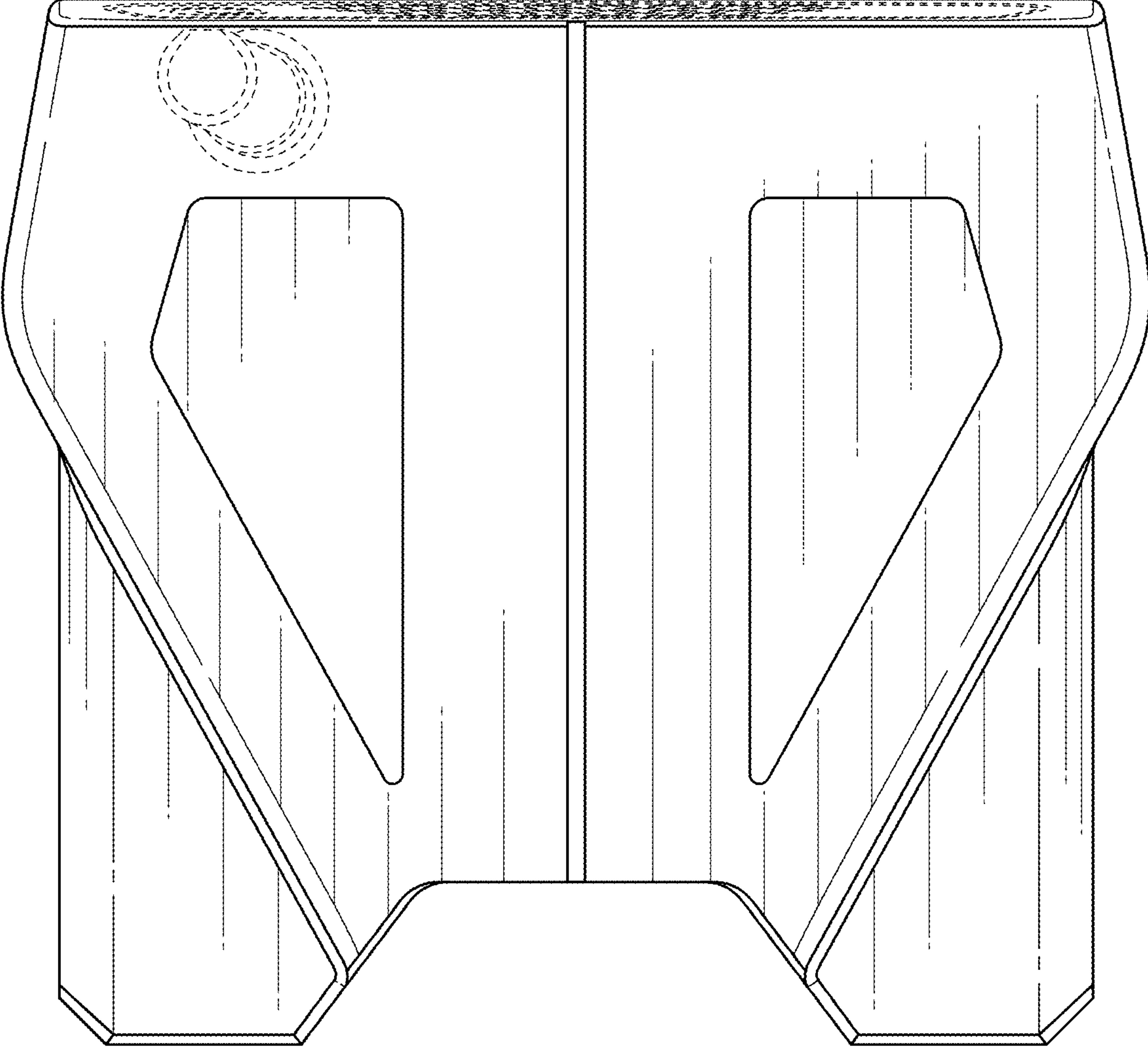


FIG. 6

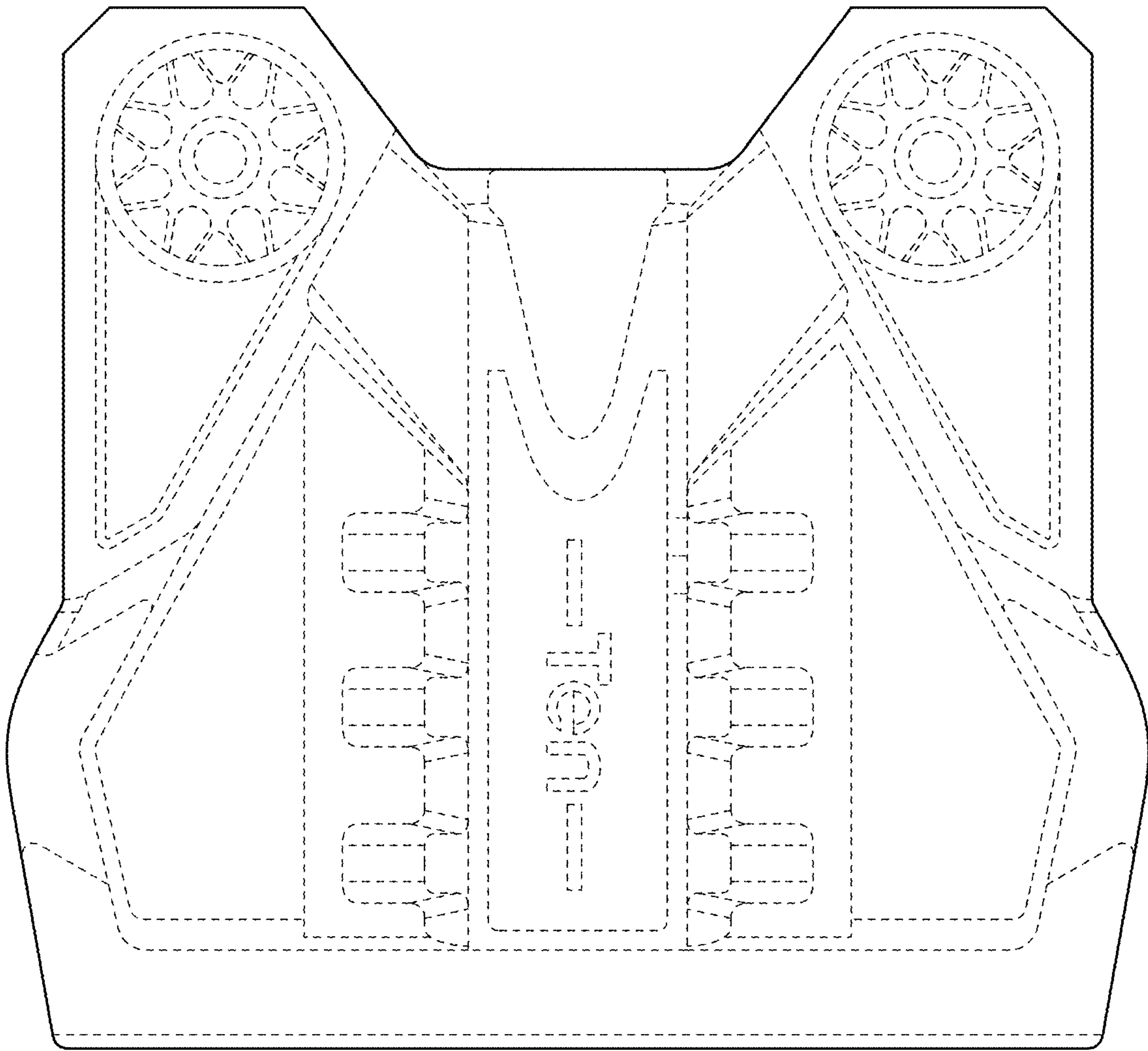


FIG. 7