



US00D944346S

(12) **United States Design Patent**  
**Lin**

(10) **Patent No.:** **US D944,346 S**

(45) **Date of Patent:** **\*\* Feb. 22, 2022**

(54) **TOY BASKETBALL GOAL**

(71) Applicant: **Zitao Lin**, Jieyang (CN)

(72) Inventor: **Zitao Lin**, Jieyang (CN)

(\*\*) Term: **15 Years**

(21) Appl. No.: **29/764,942**

(22) Filed: **Jan. 5, 2021**

(51) **LOC (13) Cl.** ..... **21-02**

(52) **U.S. Cl.**  
USPC ..... **D21/703**

(58) **Field of Classification Search**  
USPC ..... D21/301–305, 701–705, 481; D10/46,  
D10/46.1, 116.1; 473/479–789; 273/382,  
273/389, 400–408

CPC ..... A63B 63/00; A63B 63/08; A63B 63/083;  
A63B 2063/2083; A63B 71/0622; A63B  
71/0625; A63B 71/0669

See application file for complete search history.

(56) **References Cited**

**U.S. PATENT DOCUMENTS**

- 4,926,060 A \* 5/1990 Sittig ..... A45C 15/00  
232/1 B
- 4,955,605 A \* 9/1990 Goldfarb ..... A63B 21/1663  
193/25 R
- 5,064,195 A \* 11/1991 McMahan ..... A63B 63/083  
473/480
- 5,100,133 A \* 3/1992 Riviezzo ..... A63B 63/083  
273/354
- D327,928 S \* 7/1992 Cochran ..... 473/485
- 5,224,699 A \* 7/1993 Zaruba ..... A63B 21/1663  
273/375
- 5,300,920 A \* 4/1994 Caselli ..... A63B 24/0021  
473/480
- 5,418,517 A \* 5/1995 Matherne ..... A63B 24/0021  
116/222
- D404,327 S \* 1/1999 Huang ..... D10/116.1
- D440,613 S 4/2001 Davis et al.

- D608,848 S \* 1/2010 Quinn ..... D21/703
  - D696,364 S 12/2013 Holland et al.
  - 9,132,327 B1 \* 9/2015 Roberts ..... A63B 63/083
- (Continued)

**FOREIGN PATENT DOCUMENTS**

- CN 304438610 \* 1/2018
  - CN 304537125 \* 3/2018
- (Continued)

**OTHER PUBLICATIONS**

Basketball Hoop, Indoor Mini Basketball Toy Over The Door, Window, Electronic Score Record and Cheer Sound featured on webpage: <<https://www.amazon.com/Basketball-Electronic-17x10-4-Acrylic-Basketballs/dp/B08G8QYXCG>> Date First Available : Aug. 19, 2020 [Accessed May 13, 2021] (Year: 2021).\*

(Continued)

*Primary Examiner* — Catherine A Tuttle

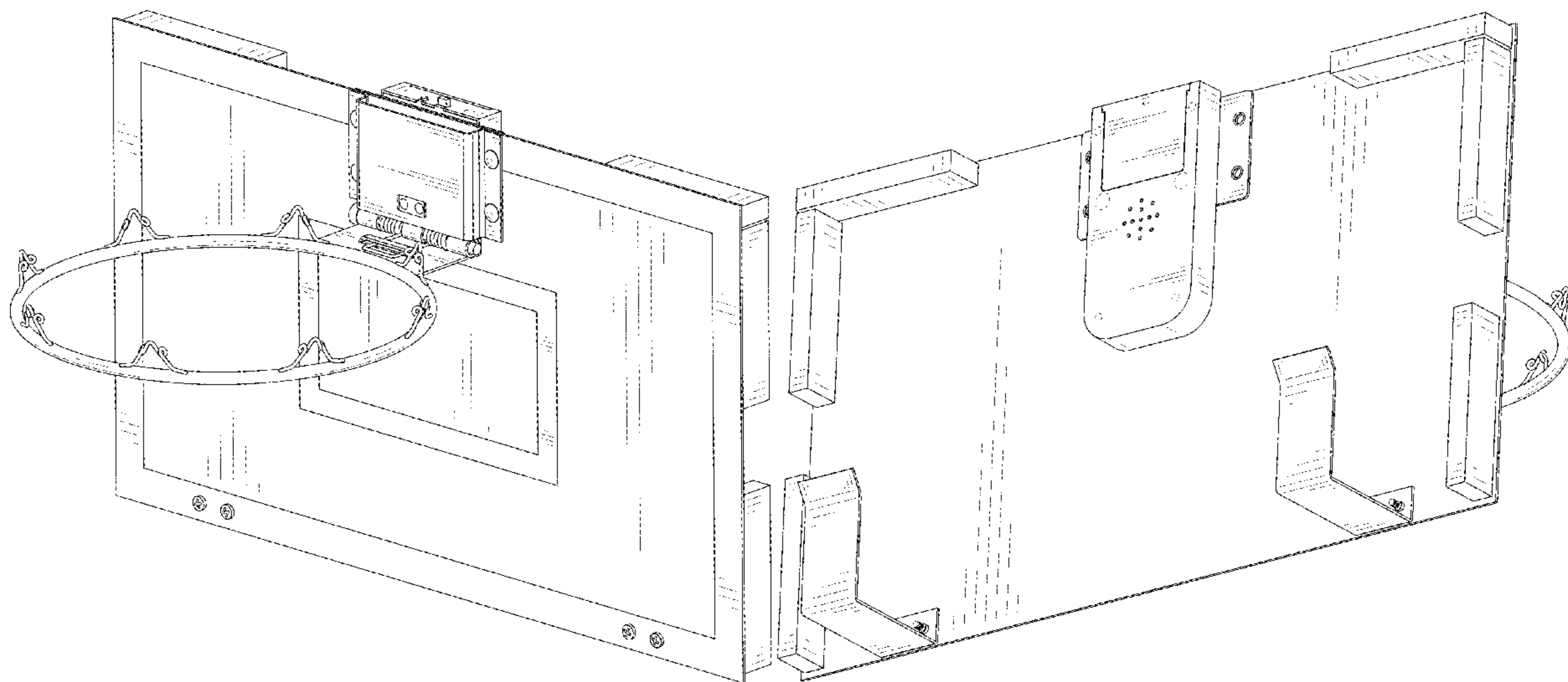
(57) **CLAIM**

The ornamental design for a toy basketball goal, as shown and described.

**DESCRIPTION**

FIG. 1 is a perspective view of a toy basketball goal showing my new design;  
FIG. 2 is another perspective view thereof;  
FIG. 3 is a front elevational view thereof;  
FIG. 4 is a rear elevational view thereof;  
FIG. 5 is a left side elevational view thereof;  
FIG. 6 is a right side elevational view thereof;  
FIG. 7 is a top plan view thereof; and,  
FIG. 8 is a bottom plan view thereof.  
The broken lines in the drawings depict portions of the toy basketball goal that form no part of the claimed design.

**1 Claim, 8 Drawing Sheets**



(56)

References Cited

U.S. PATENT DOCUMENTS

D874,588 S \* 2/2020 Hebert ..... D21/703  
 2004/0224797 A1 \* 11/2004 Huang ..... A63B 24/0021  
 473/480  
 2007/0037638 A1 \* 2/2007 Rumfola ..... A63B 69/0071  
 473/433  
 2007/0054757 A1 \* 3/2007 Will ..... A63B 24/0021  
 473/454  
 2008/0081713 A1 \* 4/2008 Huang ..... A63B 69/0071  
 473/481  
 2008/0254866 A1 \* 10/2008 Young ..... A63B 71/0669  
 463/25  
 2010/0304903 A1 \* 12/2010 Quinn ..... A63B 63/083  
 473/487  
 2013/0165276 A1 \* 6/2013 Yang ..... A63B 63/08  
 473/486  
 2016/0051875 A1 \* 2/2016 Lai ..... A63B 63/083  
 473/482  
 2017/0080318 A1 \* 3/2017 Vincent ..... A63B 69/0095  
 2017/0232316 A1 \* 8/2017 Chu ..... A63B 63/083  
 473/482

FOREIGN PATENT DOCUMENTS

DE 202013103755 U1 \* 9/2013 ..... A63B 63/083  
 WO WO-2018187685 A1 \* 10/2018 ..... A63B 63/083

OTHER PUBLICATIONS

Mini Basketball Hoop—Glow In The Dark featured on webpage:  
 <<https://www.amazon.com/Mini-Basketball-Hoop-Glow-Dark/dp/B07BGWWMWV>> Date First Available : Mar. 15, 2018 [Accessed May 13, 2021] (Year: 2021).\*

Tekk Monster Jam Mini Hoop featured on webpage: <<https://www.amazon.com/Tekk-Nate-Robinson-Monster-Mini/dp/B00PVQ76TG>> Date First Available : Nov. 1, 2014 [Accessed May 13, 2021] (Year: 2021).\*

Eaglestone Indoor Mini Basketball Hoop Set for Kids with Electronic Score Record and Sounds featured on webpage: <<https://www.amazon.ca/EagleStone-Indoor-Basketball-Electronic-Record/dp/B08DR9V973>> Date First Available Jul. 28, 2020 [Accessed May 13, 2021] (Year: 2021).\*

Deluxe Over The Door Basketball featured on webpage: <<https://www.amazon.ca/Deluxe-Over-The-Door-Basketball/dp/B077DMW54S>> Date First Available Feb. 25, 2019 [Accessed May 13, 2021] (Year: 2021).\*

ARB Market Mini Basketball Hoop System featured on webpage: <<https://www.amazon.com/ARB-MARKET-Basketball-Outdoor-Portable/dp/B07WGM8XRM>> Date First Available Aug. 14, 2019 [Accessed May 13, 2021] (Year: 2021).\*

GoSports Basketball Door Hoop featured on webpage: <<https://www.amazon.ca/GoSports-Basketball-Door-Premium-Basketballs/dp/B06XG2P7RQ>> Date First Available Apr. 8, 2017 [Accessed May 13, 2021] (Year: 2021).\*

\* cited by examiner

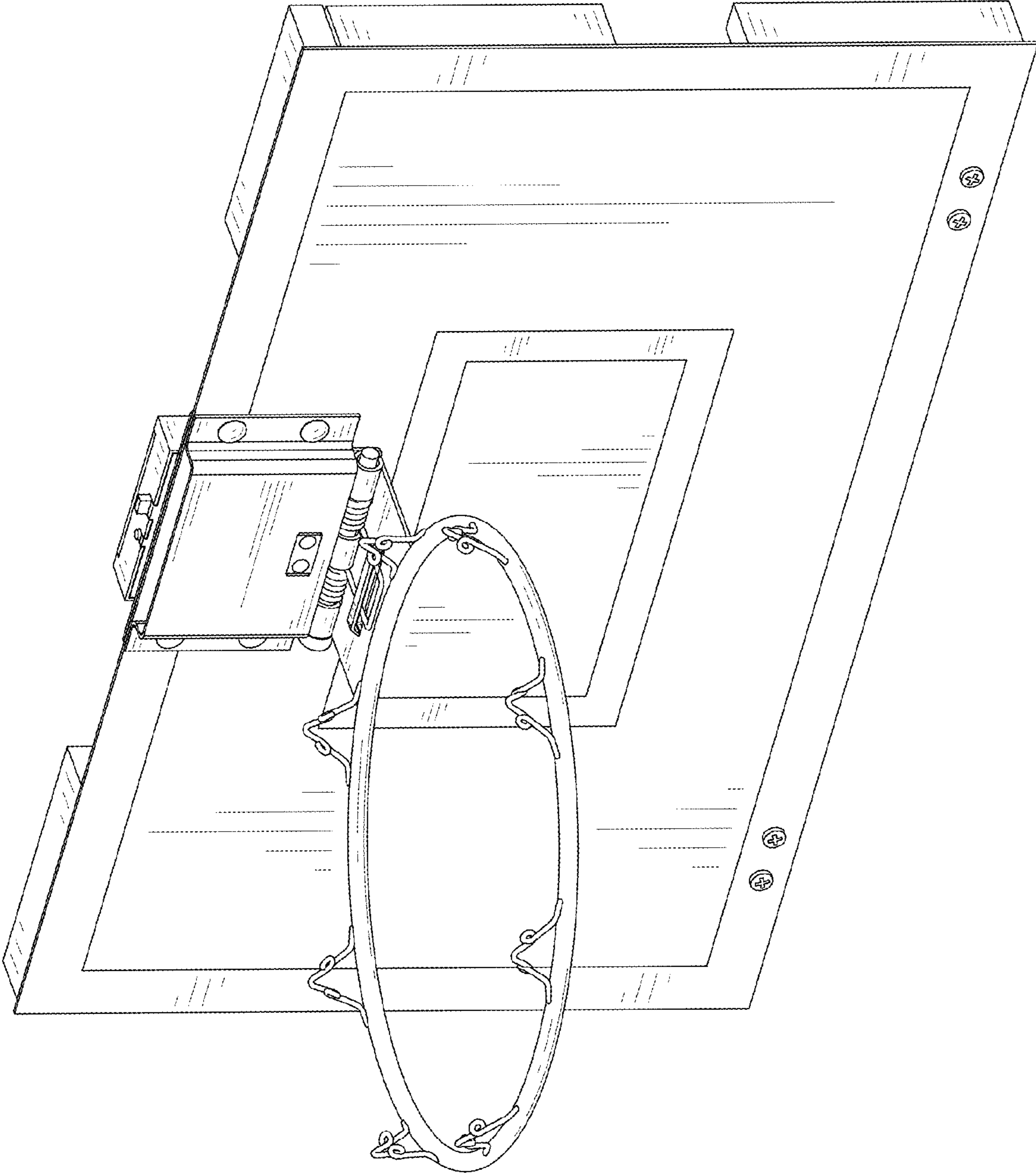


FIG. 1

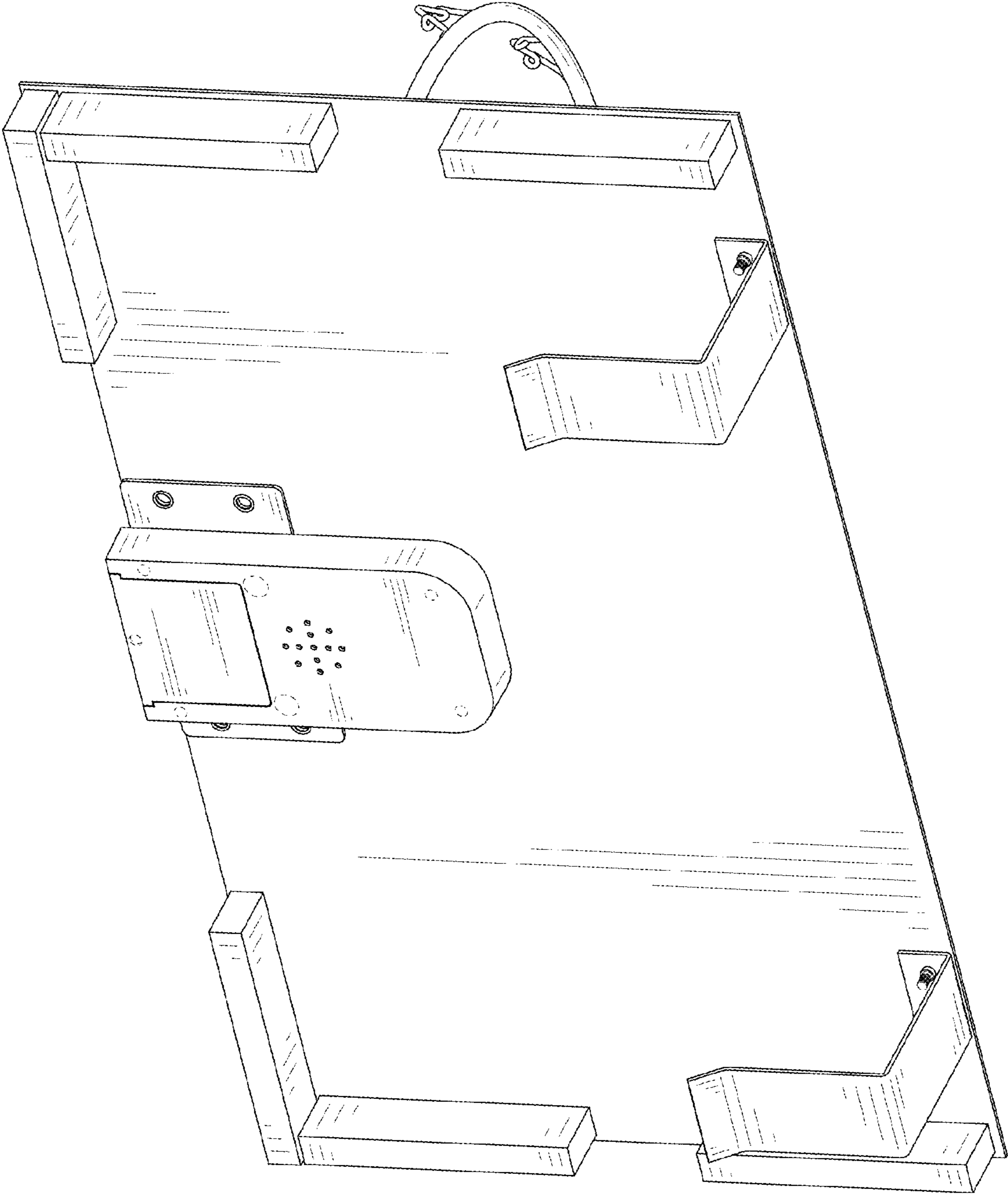


FIG. 2

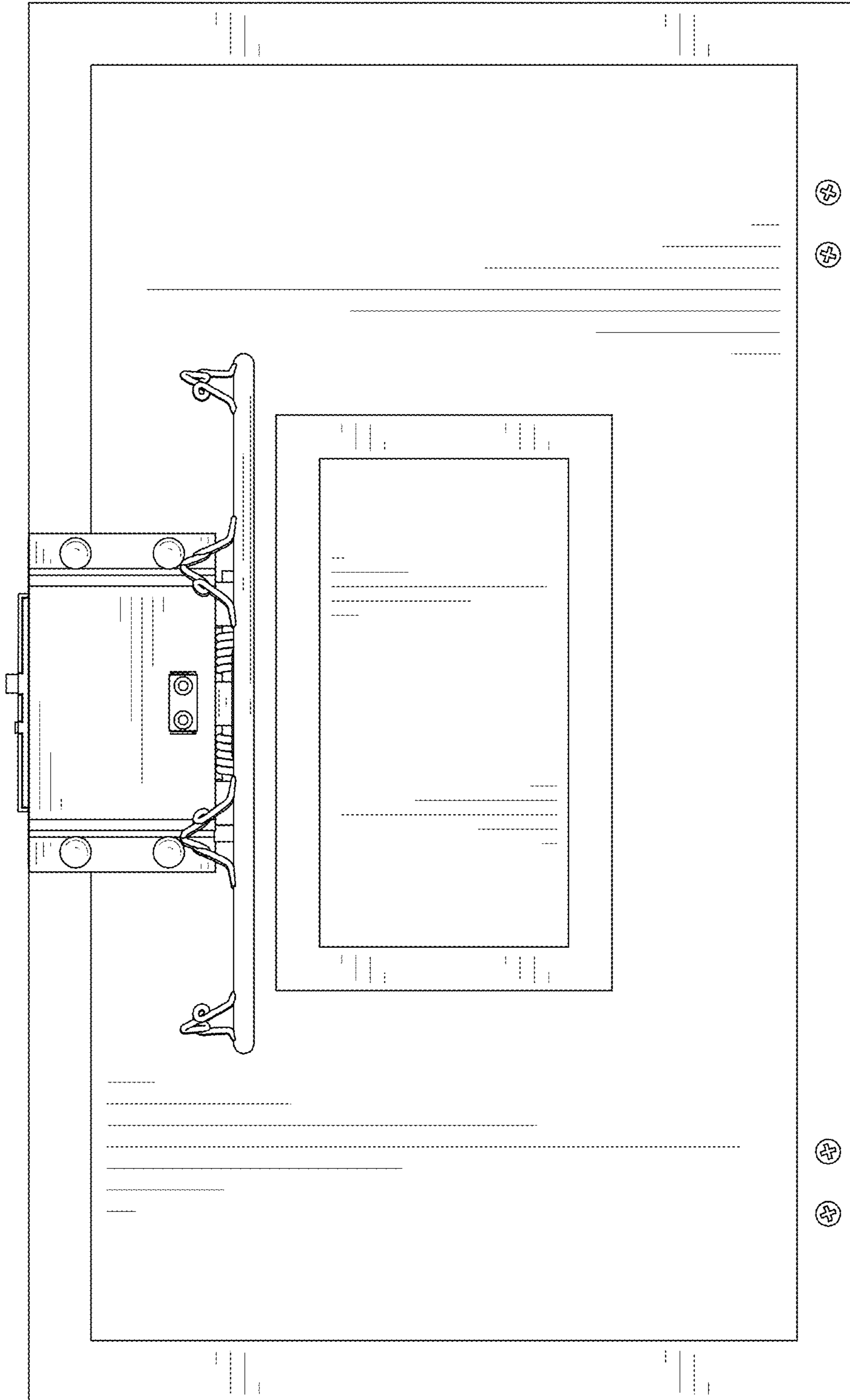


FIG. 3

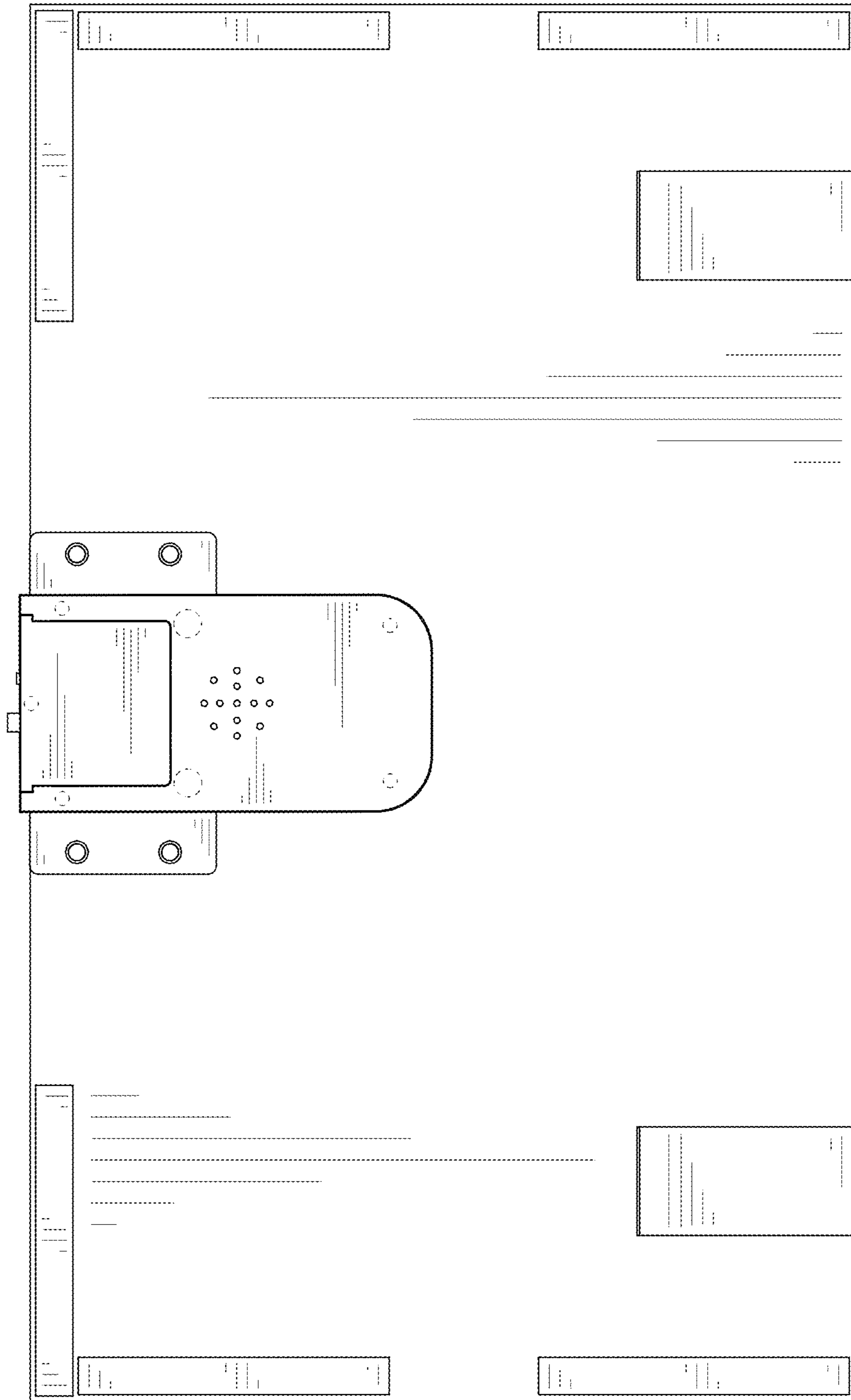


FIG. 4

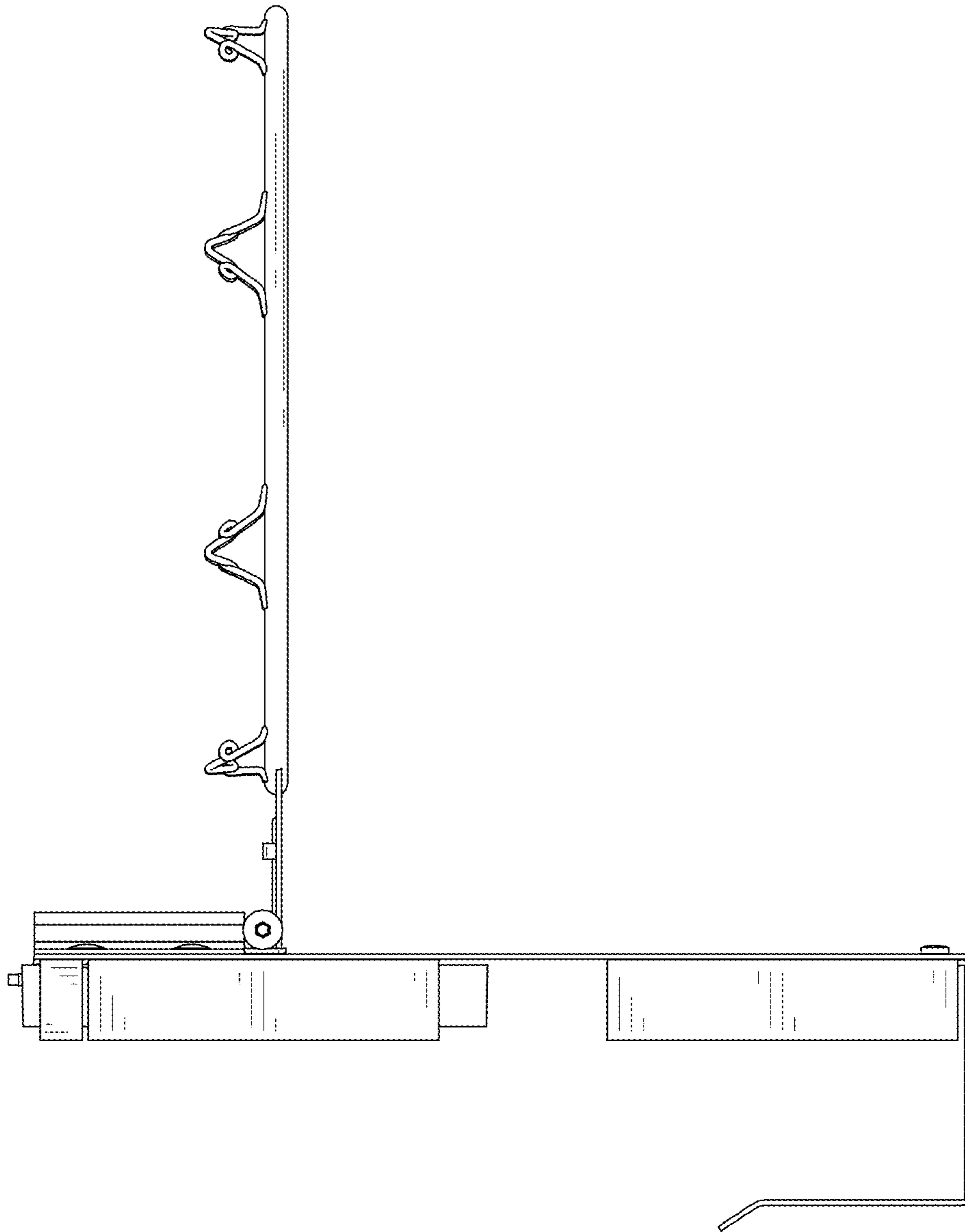


FIG. 5

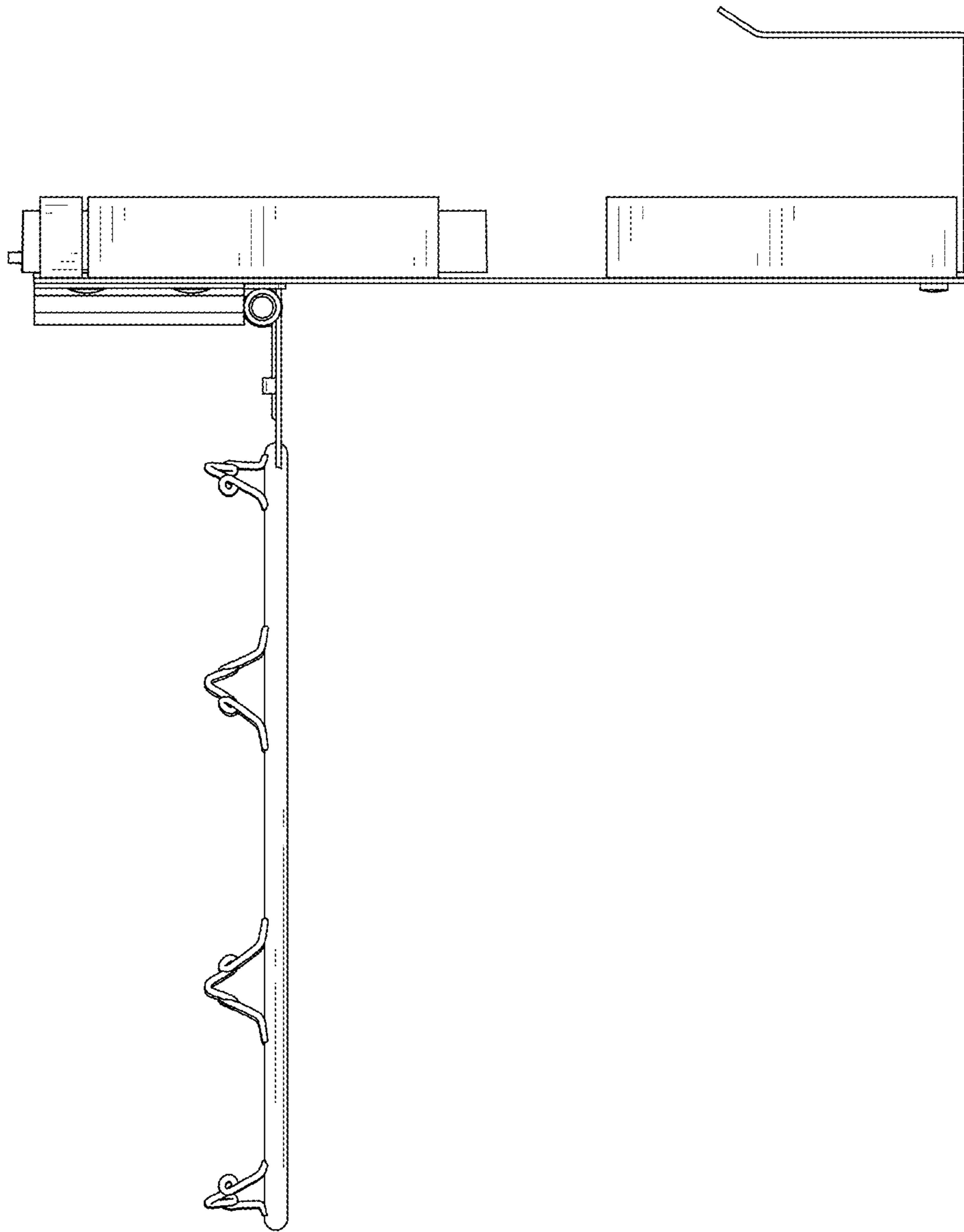


FIG. 6



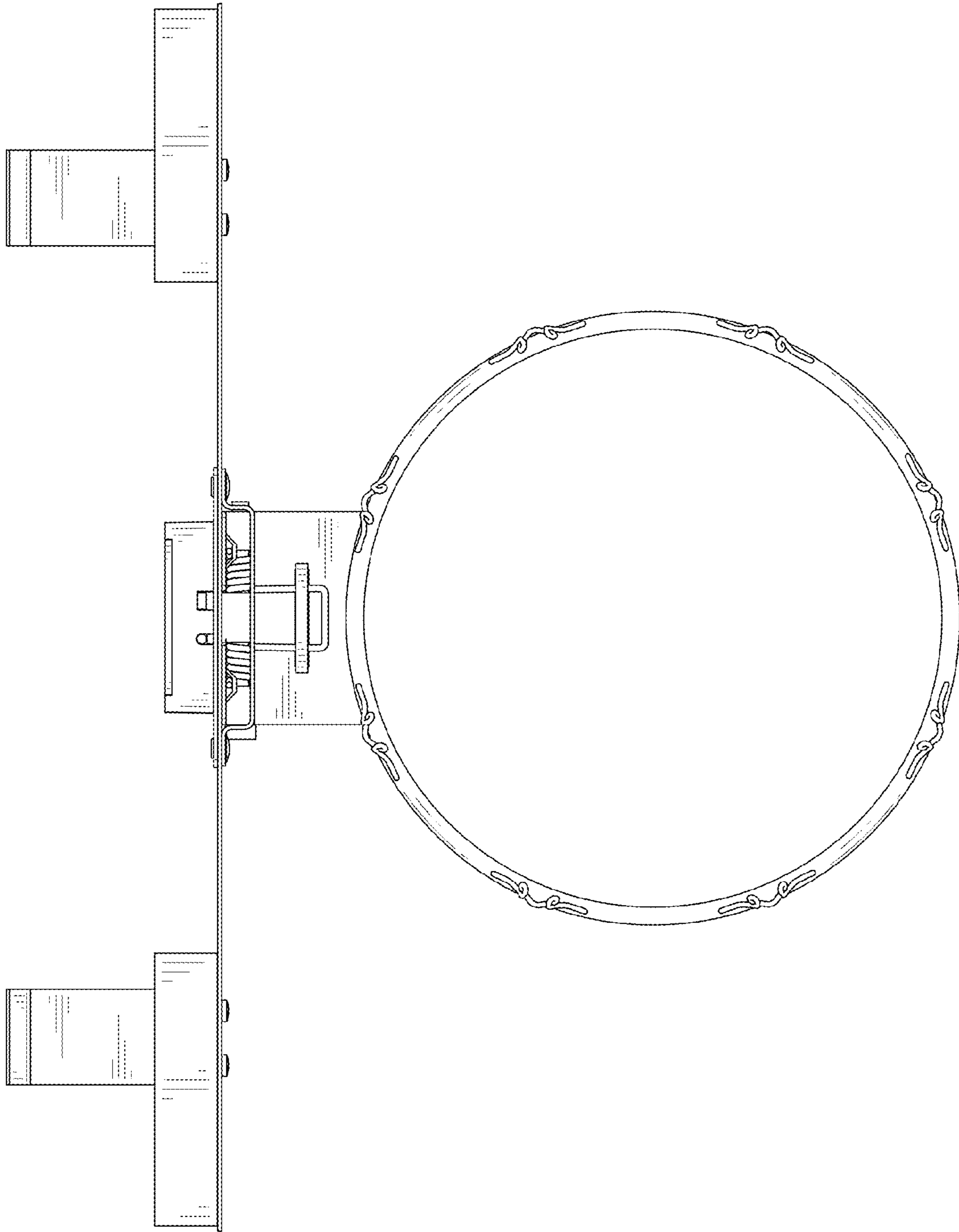


FIG. 7

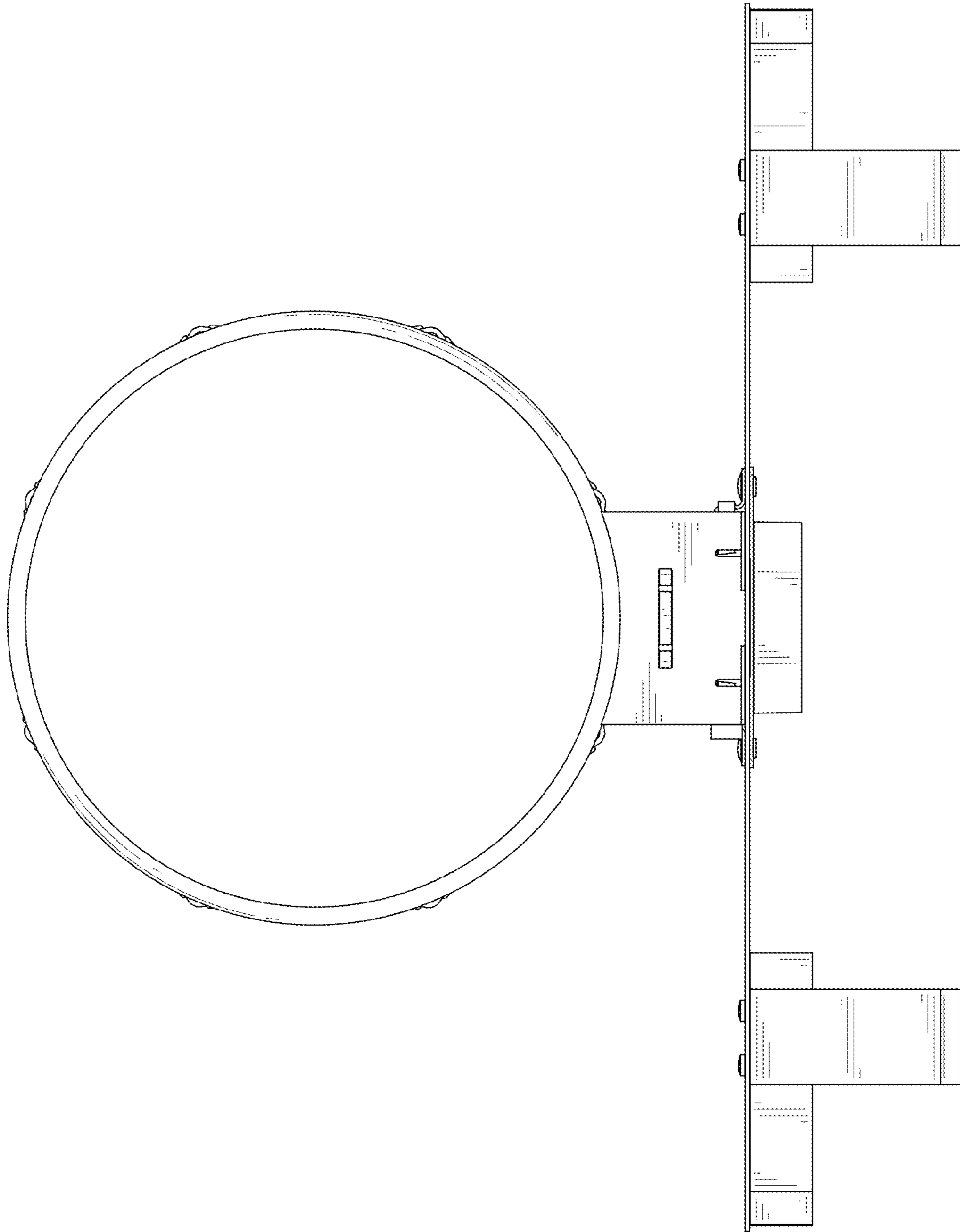


FIG. 8