



US00D944345S

(12) **United States Design Patent**  
**Li**

(10) **Patent No.:** **US D944,345 S**

(45) **Date of Patent:** **\*\* Feb. 22, 2022**

(54) **DUMBBELL BENCH**

(71) Applicant: **Xiaochun Li**, Zhejiang (CN)

(72) Inventor: **Xiaochun Li**, Zhejiang (CN)

(\*\*) Term: **15 Years**

(21) Appl. No.: **29/751,379**

(22) Filed: **Sep. 21, 2020**

(51) **LOC (13) Cl.** ..... **21-01**

(52) **U.S. Cl.**  
USPC ..... **D21/686**; D6/353

(58) **Field of Classification Search**  
USPC ..... D21/686–691, 694–695; D6/349,  
D6/353–355, 368

See application file for complete search history.

(56) **References Cited**

**U.S. PATENT DOCUMENTS**

D262,810 S *	1/1982	Lynn	.....	D21/676
D314,026 S *	1/1991	Jennings	.....	D21/676
D406,290 S *	3/1999	McBride	.....	D21/690
D425,153 S *	5/2000	Grider	.....	D21/676
D438,578 S *	3/2001	Kuo	.....	D21/676
D455,803 S *	4/2002	Webber	.....	D21/686
D519,585 S *	4/2006	Webber	.....	D21/676
D523,495 S *	6/2006	Carlucci	.....	D21/690
D547,400 S *	7/2007	Rogers	.....	D21/690
D623,245 S	9/2010	Evans		
D637,246 S	5/2011	James		
D820,362 S *	6/2018	Citterio	.....	D21/687
D886,919 S *	6/2020	Gagnon	.....	D21/686
D907,144 S *	1/2021	Zhao	.....	D21/690
2003/0232707 A1 *	12/2003	Dalebout	.....	A63B 21/026 482/123

**OTHER PUBLICATIONS**

“FLYBIRD Adjustable Weight bench” Jul. 28, 2020 site visited Sep. 20, 2021: <https://www.amazon.sg/FLYBIRD-Adjustable-Foldable-Strength-Training/dp/B08DQPGSZ1/> (Year: 2020).\*

“Kobo EB-1012 Steel Adjustable Dumbbell Bench with Preacher Curl for Home Gym Imported” Aug. 27, 2019, site visited Sep. 20, 2021: <https://www.amazon.in/Kobo-EB-1012-Adjustable-Dumbbell-Preacher/dp/B07X3XX3DV> (Year: 2019).\*

\* cited by examiner

*Primary Examiner* — Michael C Stout

*Assistant Examiner* — Melvin L Davis

(74) *Attorney, Agent, or Firm* — ScienBiziP, P.C.

(57) **CLAIM**

The ornamental design for a dumbbell bench, as shown and described.

**DESCRIPTION**

FIG. 1 is a front and top perspective view of a dumbbell bench, showing my design.

FIG. 2 is a rear and bottom perspective view thereof.

FIG. 3 is a front elevation view thereof.

FIG. 4 is a rear elevation view thereof.

FIG. 5 is a left side elevation thereof.

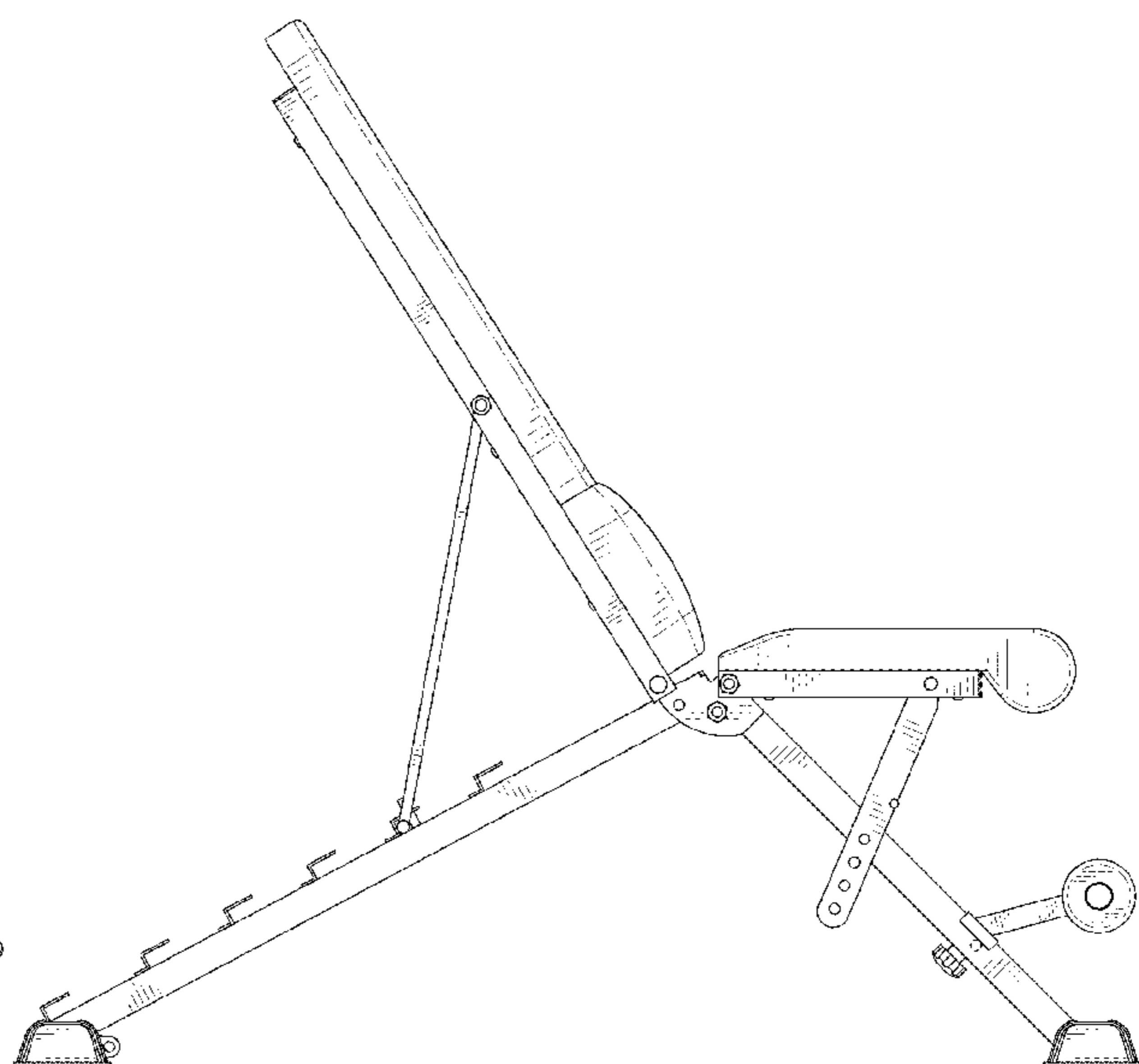
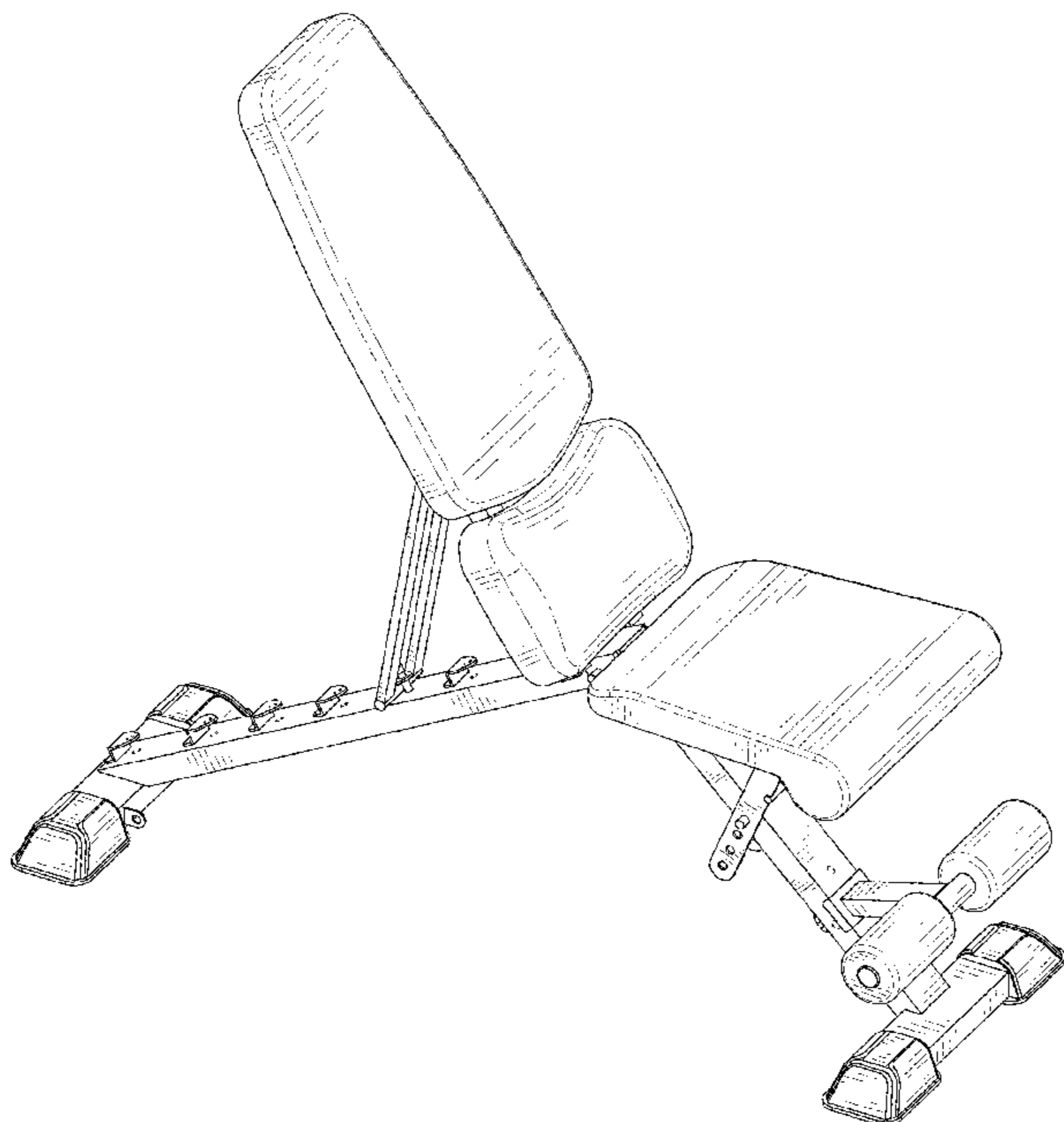
FIG. 6 is a right side elevation thereof.

FIG. 7 is a top plan view thereof; and,

FIG. 8 is a bottom plan view thereof.

The broken lines in the drawings depict portions of the dumbbell bench that form no part of the claimed design.

**1 Claim, 8 Drawing Sheets**



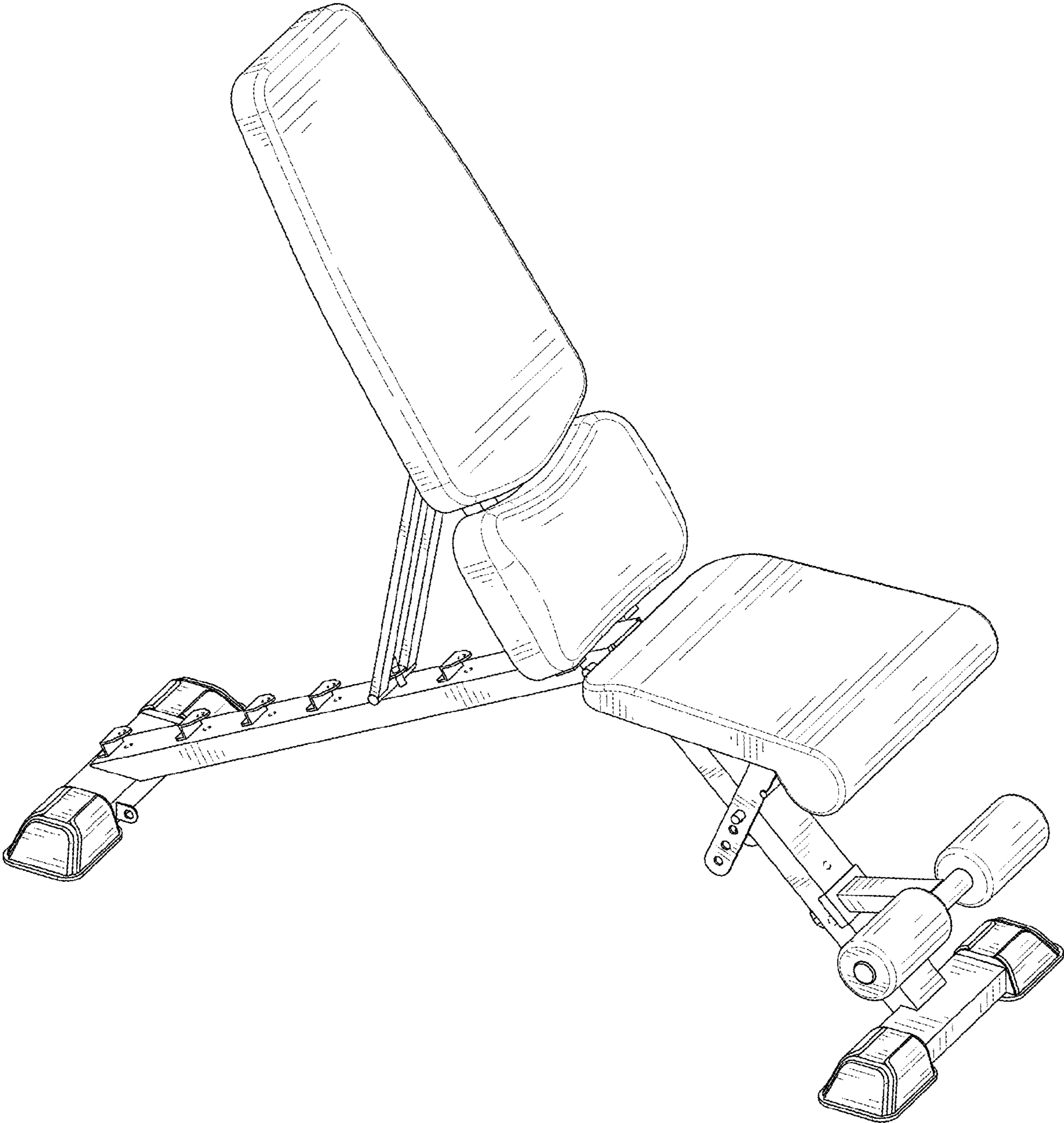


FIG. 1

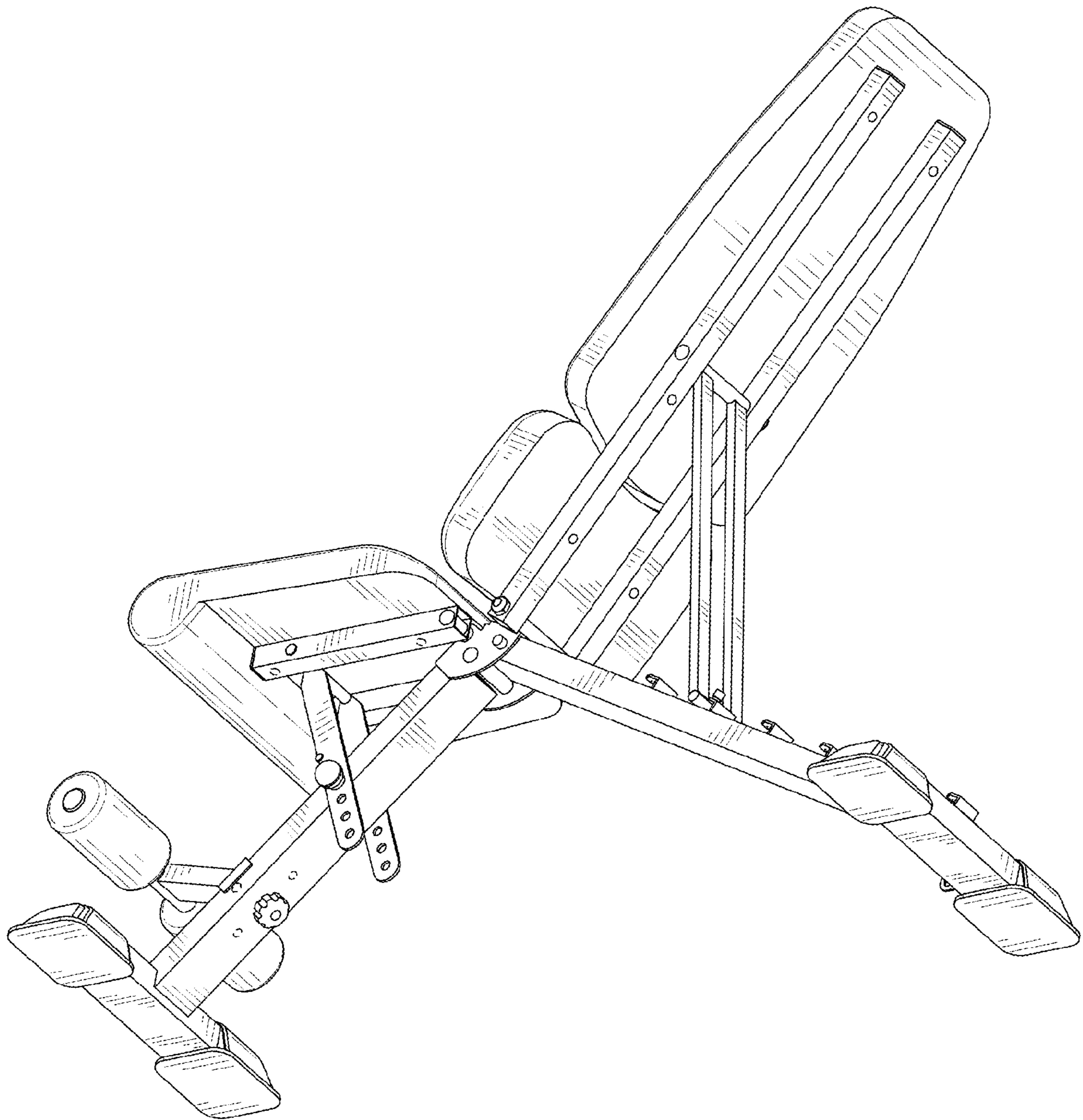


FIG. 2

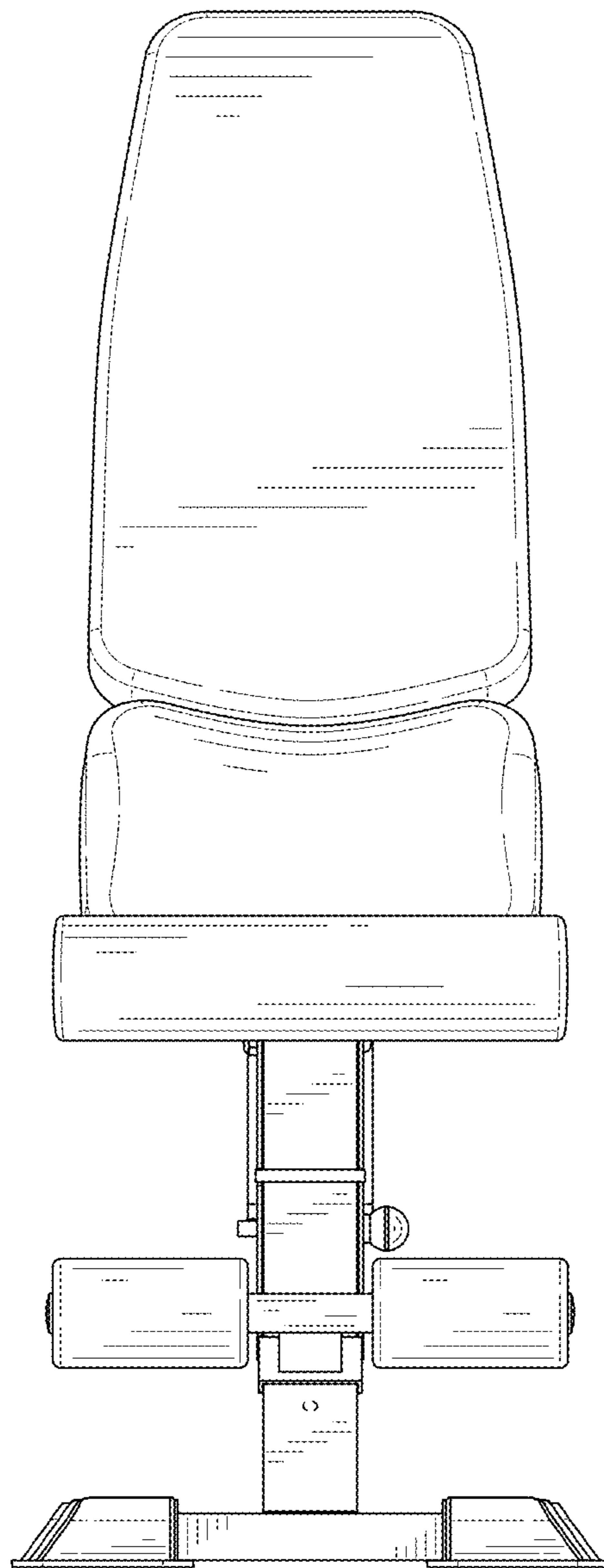


FIG. 3

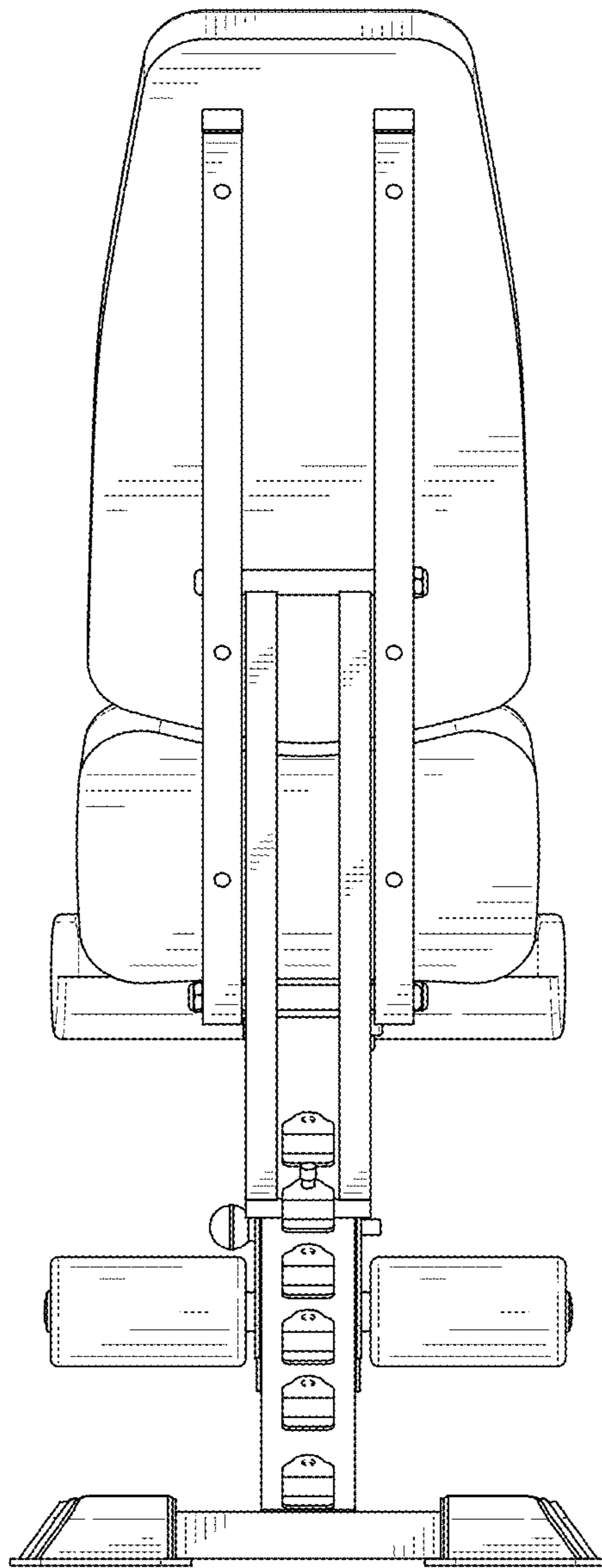


FIG. 4

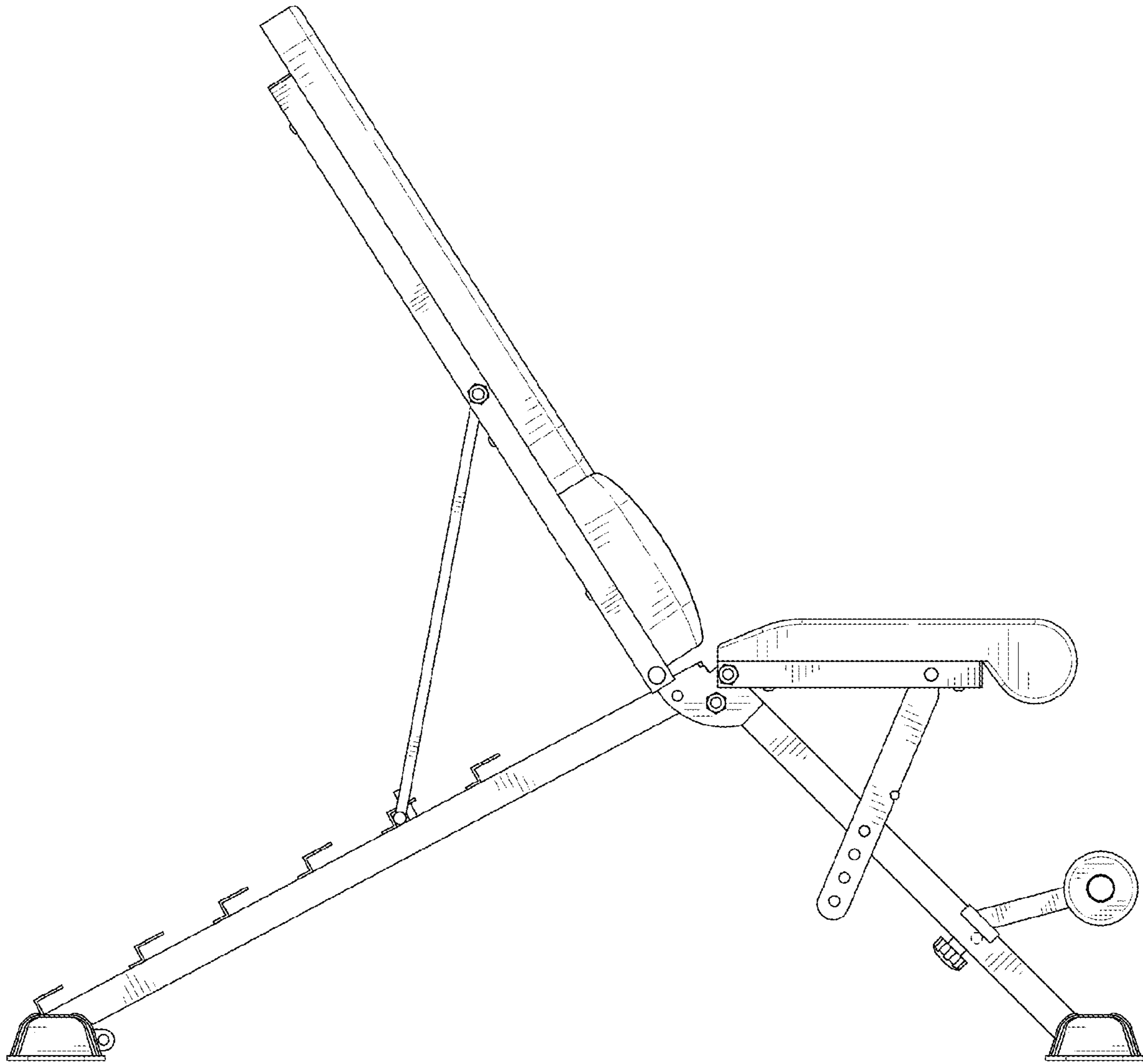


FIG. 5

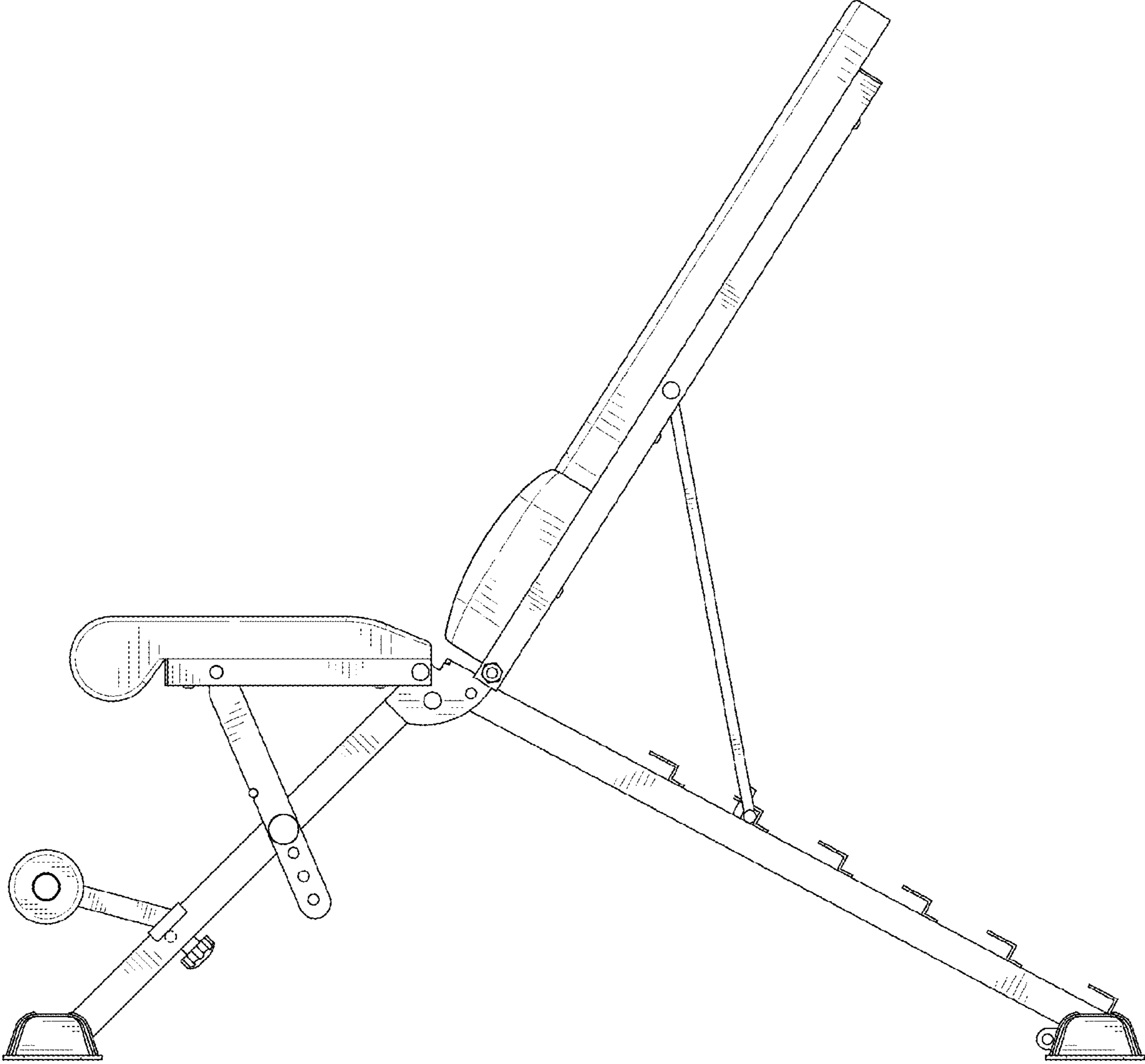


FIG. 6

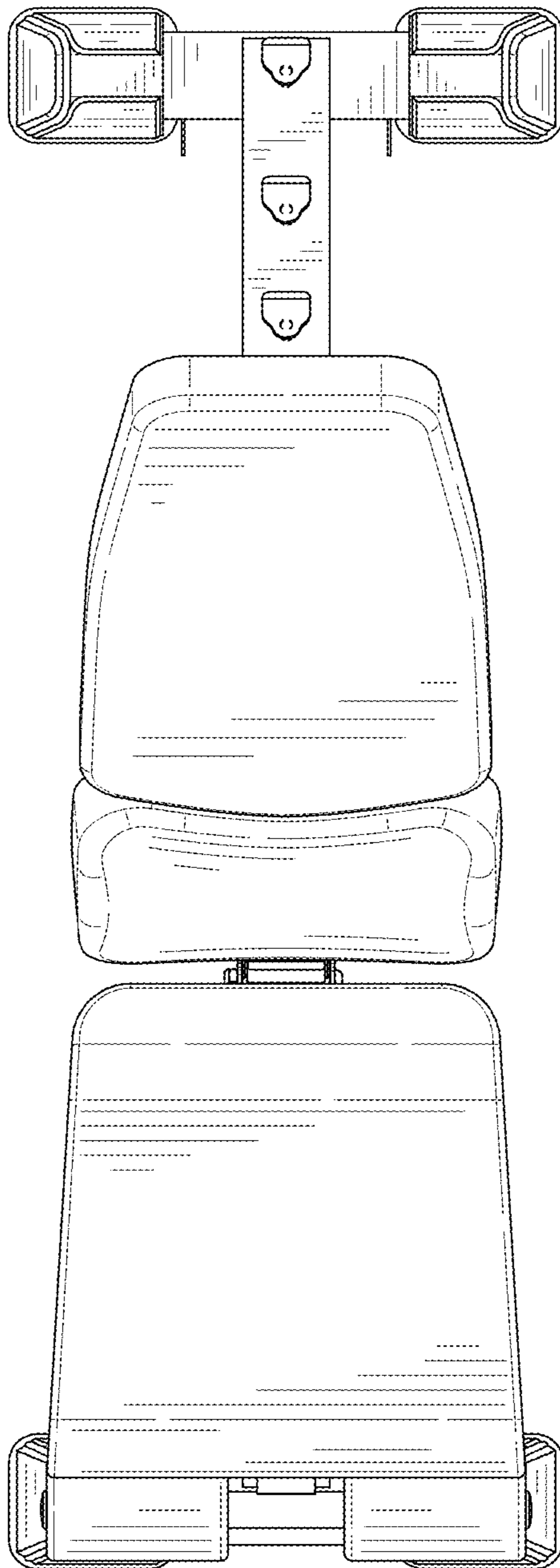


FIG. 7



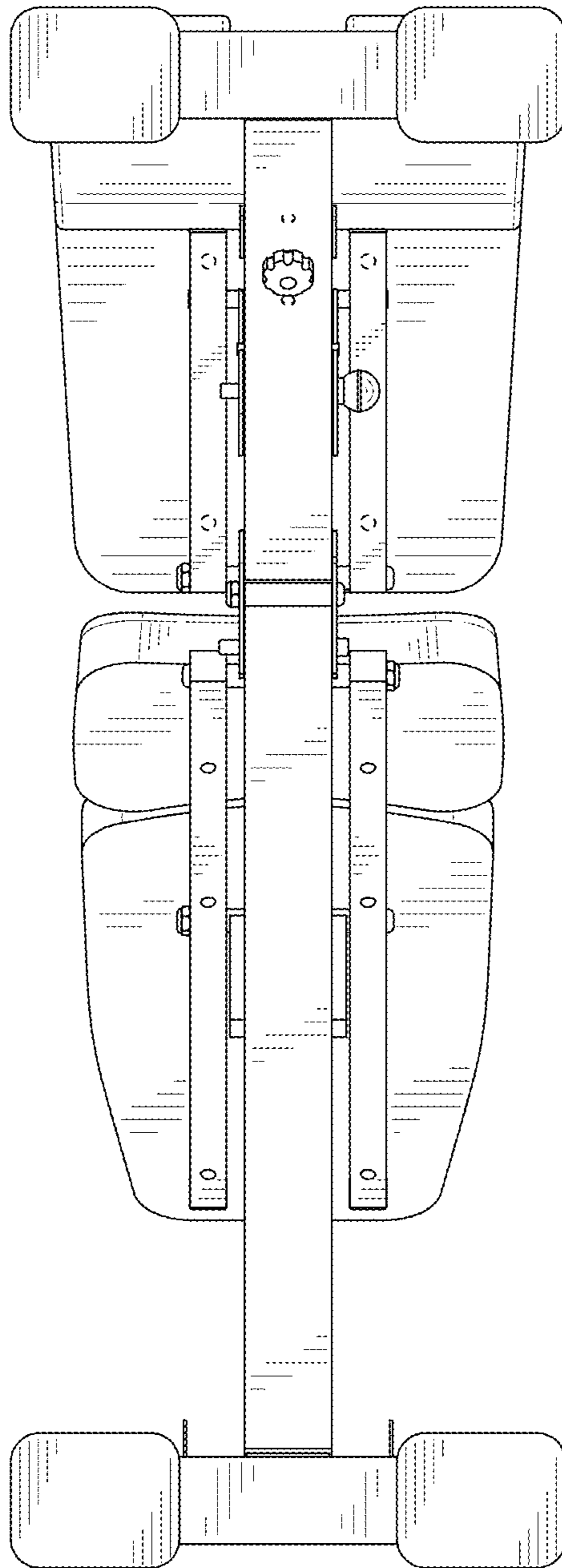


FIG. 8